



14-38Z TimeCutter™ Z Riding Mower

Model No. 74301 - 230000001 and up.

Parts Catalog

Ordering Replacement Parts

To order replacement parts, please supply the part number, the quantity, and the description of each part desired.

Understanding Reference Numbers

Each identified part in an illustration has a reference number. The reference number for a part also appears in the parts list, along with other information about the part.

This catalog uses two special reference number formats, one to indicate parts in a service assembly and another to indicate the quantity of a given part in an illustration.

Service Assembly Reference Numbers

Parts in service assemblies have reference numbers in the form a:b. The a represents the reference number of the entire service assembly and the b represents a sequential number unique to each part within the service assembly.

For example, a wheel assembly might be identified by reference number 6, the tire by 6:1, the valve by 6:2, and the wheel by 6:3. When you order the assembly identified by reference number 6, you receive all parts identified by reference numbers 6:1, 6:2, and 6:3. However, you may also order any part individually. Reference numbers of this type appear in illustrations and in part lists.

Reference Numbers Indicating Quantity

In an illustration, if a reference number indicates more than one part, the reference number has the form nX y. The n represents the quantity of the part, the X is the multiplication symbol, and the y represents the reference number.

For example, in an illustration, the reference number 2X 37 means that two of the parts identified by reference number 37 are indicated.

Contents

| Description | Page | Description | Page |
|--|------|--|------|
| Frame Assembly | 3 | Cylinder Assembly Briggs and Stratton 280H07-0166-E1 | 18 |
| Control Assembly | 5 | Cylinder Head Assembly Briggs and Stratton 280H07-0166-E1 | 19 |
| Hydro and Belt Drive Assembly | 6 | Crankshaft Assembly Briggs and Stratton 280H07-0166-E1 | 20 |
| Engine Assembly | 7 | Crankcase Assembly Briggs and Stratton 280H07-0166-E1 | 21 |
| 38in Deck Spindle and Belt Drive Assembly | 9 | Oil Filter, Tube and Pump Assembly Briggs and Stratton 280H07-0166-E1 | 22 |
| 38in Deck Assembly | 10 | Carburetor Assembly Briggs and Stratton 280H07-0166-E1 | 23 |
| Electrical Assembly | 11 | Governor Assembly Briggs and Stratton 280H07-0166-E1 | 24 |
| Housing Assembly RH Hydrostat No. 105-3491 | 12 | Blower Housing Assembly Briggs and Stratton 280H07-0166-E1 | 25 |
| Cylinder Block Assembly RH Hydrostat No. 105-3491 | 13 | Starter Assembly Briggs and Stratton Model 280H07-0166-E1 | 26 |
| Fan and Pulley Assembly RH Hydrostat No. 105-3491 | 14 | Gasket Assembly Briggs and Stratton Model 280H07-0166-E1 | 27 |
| Housing Assembly LH Hydrostat No. 105-3492 | 15 | Carburetor Overhaul Kit Assembly Briggs and Stratton 280H07-0166-E1 | 28 |
| Cylinder Block Assembly LH Hydrostat No. 105-3492 | 16 | | |
| Fan and Pulley Assembly LH Hydrostat No. 105-3492 | 17 | | |

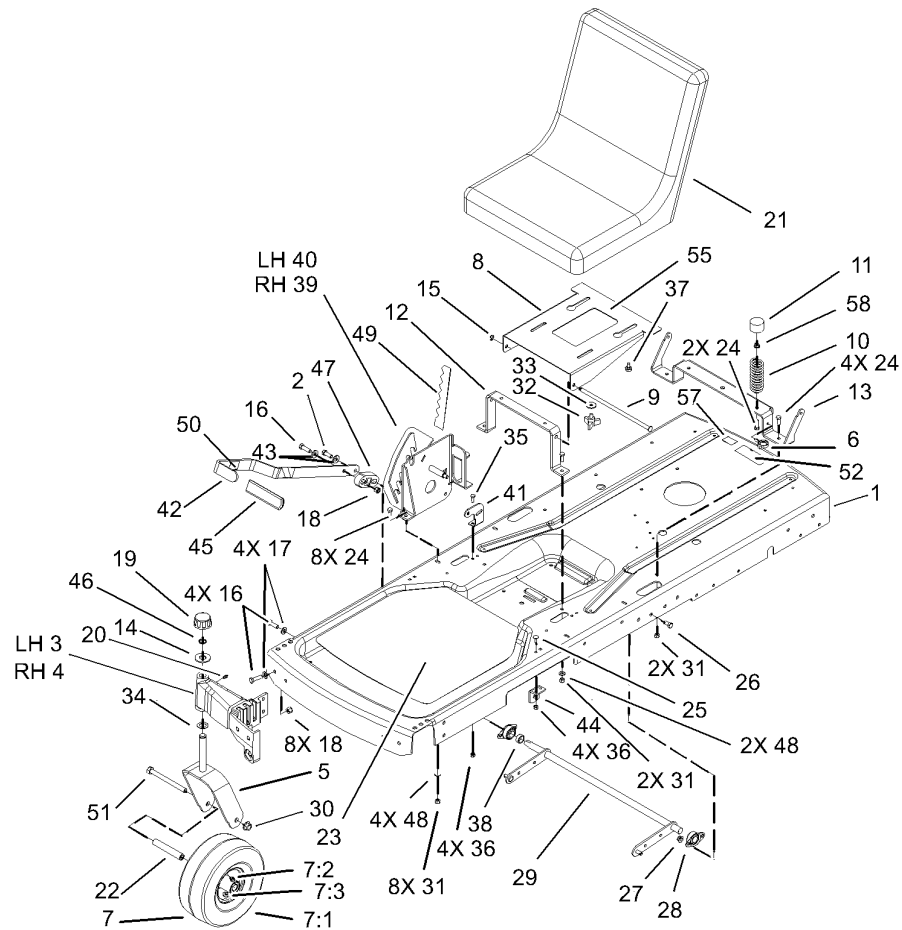
Part Description Abbreviations

Part descriptions in this catalog may include the following abbreviations.

| | |
|---|---|
| AR. as required | HYD. hydraulic |
| ASM. assembly | LH. left hand |
| BBC. blade brake clutch | NI. nylon insert |
| CARR. carriage | NPTF. national pipe thread fine |
| DEG. degrees | PFH. phillips flat head |
| EXT. external | PPH. phillips pan head |
| FH. flat head | PPHTF. phillips pan head thread forming |
| GA. gauge | PRH. phillips round head |
| HD. heavy-duty | PTH. phillips truss head |
| HF. hex flange | PTO. power-take-off |
| HH. hex head | RH. right hand |
| HHF. hex head flange | ROPS. roll-over protection system |
| HHFTF. hex head flange thread forming | SFH. slotted fillister head |
| HJ. hex jam | SHH. slotted hex head |
| HLH. hex lag head | SHWH. slotted hex washer head |
| HOC. height-of-cut | SPH. slotted pan head |
| HSBH. hex socket button head | SQH. square head |
| HSFH. hex socket flat head | SRH. slotted round head |
| HSH. hex socket head | STD. standard |
| HWH. hex washer head | TAP. self tapping |
| HWHTF. hex washer head thread forming | TTH. torx truss head |

Footnotes

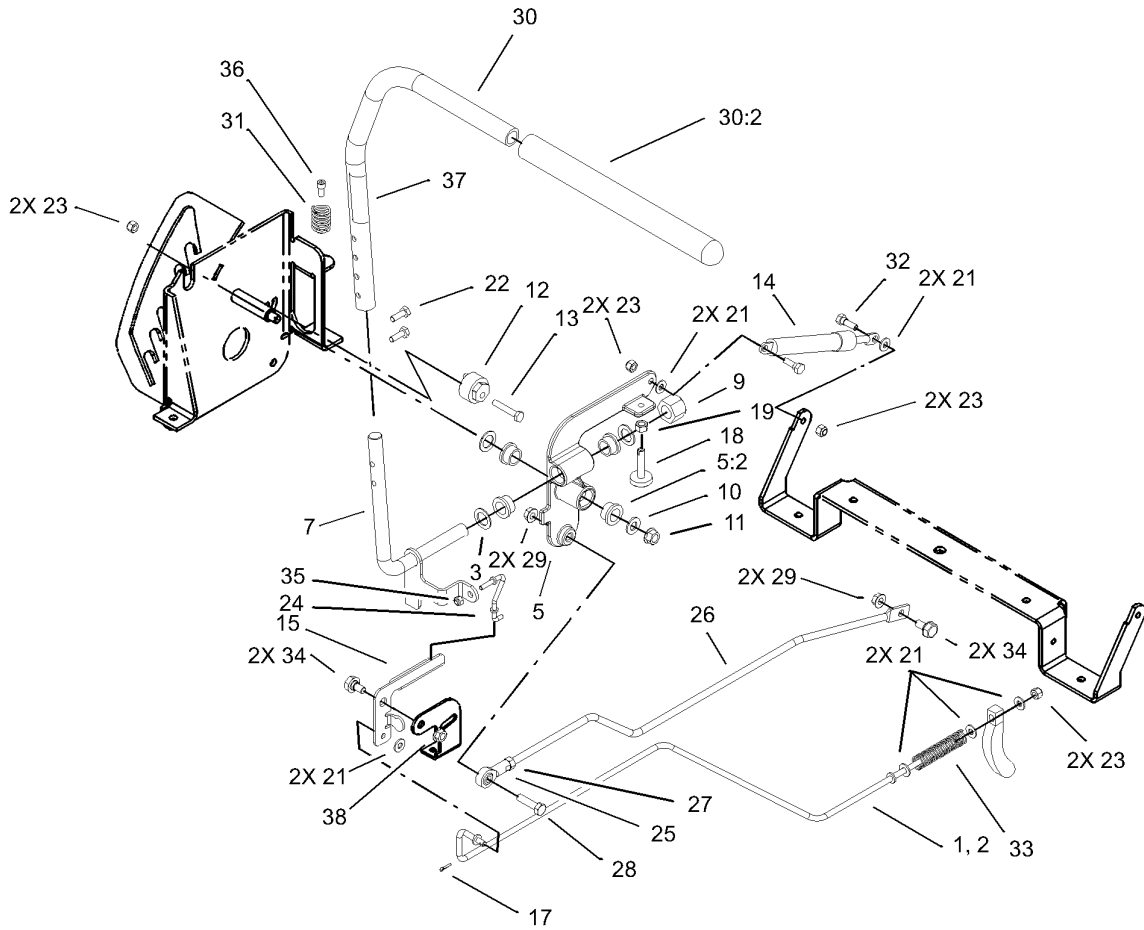
- | | |
|---|---|
| ❶ Not illustrated | ❷ Not serviced separately |
| ❸ Included in Engine Gasket Set-Ref. 358. | ❹ Included in Valve Gasket Set-Ref. 1095. |
| ❺ Included in Carburetor Overhaul Kit-Ref. 121. | ❻ Included in Carburetor Gasket Set-Ref. 977. |
| ❼ Obtain from your local Briggs & Stratton dealer | |



Frame Assembly

| Ref | Part No. | Qty. | Description |
|-----|-------------|------|--------------------------|
| 1 | 105-3489-01 | 1 | Frame |
| 2 | 323-6 | 1 | Screw-HH |
| 3 | 105-6986-01 | 1 | Caster-LH |
| 4 | 105-6985-01 | 1 | Castor-RH |
| 5 | 106-2196-01 | 2 | Caster Fork ASM |
| 6 | 105-1853 | 1 | Clamp-Hose |
| 7 | 105-3471 | 2 | Front Wheel And Tire ASM |
| 7:1 | 105-1943 | 1 | Tire |
| 7:2 | 302-11 | 1 | Fitting-Lube, 45 DEG |
| 7:3 | 232-27 | 1 | Stem-Valve |
| ① | 93-4244 | 1 | Tube-Inner (W/Valve) |
| 8 | 105-6953-03 | 1 | Bracket-Seat |
| 9 | 105-6955 | 1 | Pin-Pivot |
| 10 | 92-7054 | 2 | Spring-Compression |
| 11 | 701178 | 2 | Cap-Protector |
| 12 | 105-6954-03 | 1 | Brace-Seat, Front |
| 13 | 106-2210-03 | 1 | Brace-Seat, Rear |
| 14 | 28-2480 | 2 | Washer |
| 15 | 105-7004 | 1 | E-Ring |
| 16 | 323-7 | 9 | Screw-HH |
| 17 | 3256-24 | 8 | Washer-Flat |
| 18 | 3296-39 | 9 | Nut-Lock, NI |
| 19 | 61-9780 | 2 | Cap-Hub |
| 20 | 302-5 | 2 | Fitting-Grease |

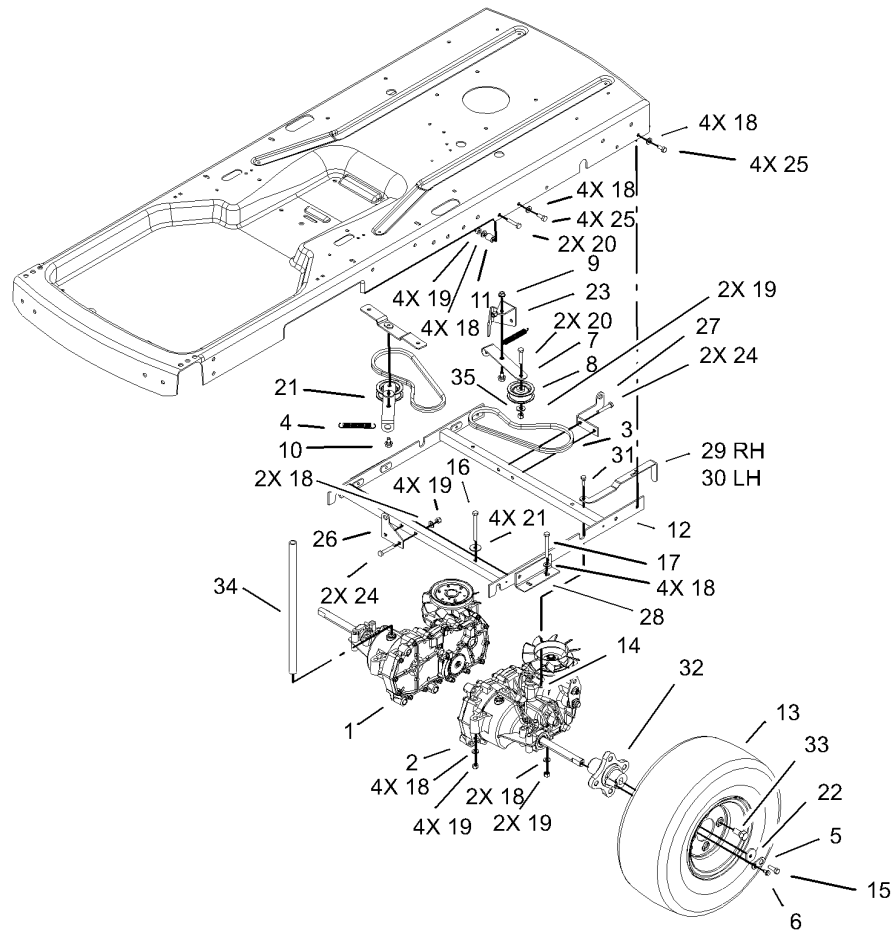
| Ref | Part No. | Qty. | Description |
|-----|-------------|------|----------------------|
| 21 | 105-6962 | 1 | Seat |
| 22 | 104-3667 | 2 | Spanner-Wheel |
| 23 | 105-3460 | 1 | Pad-Antiskid |
| 24 | 322-4 | 14 | Screw-HH |
| 25 | 3229-1 | 4 | Screw-CARR |
| 26 | 323-4 | 4 | Screw-HH |
| 27 | 3290-357 | 4 | Nut-HHF, Whiz |
| 28 | 1-633102 | 2 | Bearing-Flange, Side |
| 29 | 105-3499-03 | 1 | Lift Arm ASM |
| 30 | 32128-23 | 2 | Nut-HF |
| 31 | 3296-29 | 12 | Nut-Lock, NI |
| 32 | 92-9674 | 2 | Knob |
| 34 | 3-6498 | 2 | Washer-Thrust |
| 35 | 321-4 | 4 | Screw-HH |
| 36 | 3296-42 | 8 | Nut-Lock, NI |
| 37 | 37-8770 | 2 | Bolt-Shoulder |
| 38 | 106-2222 | 1 | Spacer |
| 39 | 106-2158-03 | 1 | RH Plate ASM |
| 40 | 106-2159-03 | 1 | LH Plate ASM |
| 41 | 106-2180 | 2 | Bracket-Bellcrank |
| 42 | 105-3435-03 | 1 | Lever-Lift |
| 43 | 98-5975 | 2 | Washer-Belleville |
| 44 | 105-3439 | 2 | Bracket-Lift |
| 45 | 105-3450 | 1 | Grip-Lever, Lift |



Control Assembly

| Ref | Part No. | Qty. | Description |
|-----|----------|------|-------------------------------|
| 1 | 105-7045 | 1 | Rod-Brake, LH |
| 2 | 105-7044 | 1 | Rod-Brake, RH |
| 3 | 105-3481 | 6 | Washer-Thrust |
| 5 | 106-8671 | 1 | RH Actuator Arm W/Bushing ASM |
| 5:2 | 105-3455 | 4 | Bushing |
| 6 | 106-8672 | 1 | LH Actuator Arm W/Bushing ASM |
| 6:2 | 105-3455 | 4 | Bushing |
| 7 | 105-3488 | 1 | LH Pivot Shaft ASM |
| 8 | 105-3487 | 1 | RH Pivot Shaft ASM |
| 9 | 3296-53 | 2 | Nut-Lock, NI |
| 10 | 3256-24 | 2 | Washer-Flat |
| 11 | 32128-21 | 2 | Nut-HF |
| 12 | 105-3485 | 2 | Bushing-Eccentric |
| 13 | 321-9 | 2 | Screw-HH |
| 14 | 103-2913 | 2 | Damper-Control, Motion |
| 15 | 106-2181 | 2 | Bellcrank |
| 17 | 3272-5 | 2 | Pin-Cotter |
| 18 | 105-3486 | 2 | Stop-Adjustment |
| 19 | 3217-6 | 2 | Nut-Hex |
| 21 | 3256-22 | 12 | Washer-Flat |
| 22 | 321-4 | 4 | Screw-HH |
| 23 | 3296-42 | 8 | Nut-Lock, NI |
| 24 | 106-2179 | 2 | Link-Brake |
| 25 | 1-543017 | 2 | Balljoint-RH |

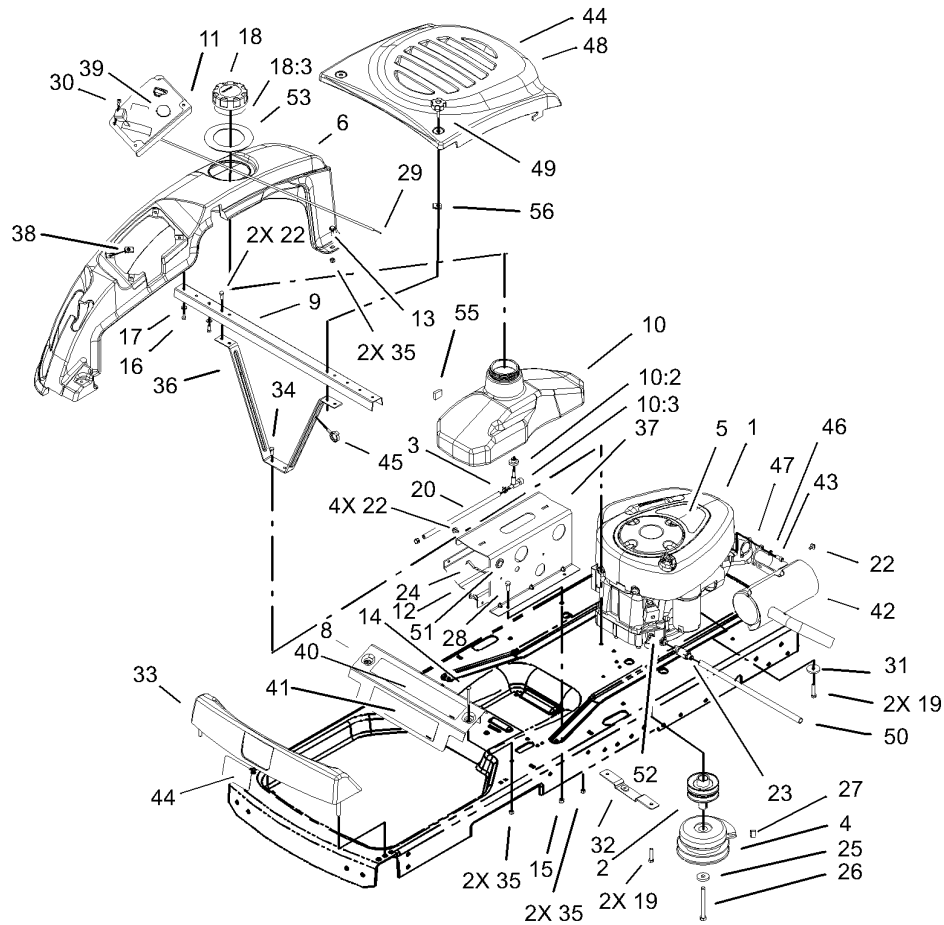
| Ref | Part No. | Qty. | Description |
|------|----------|------|----------------------|
| 26 | 105-7048 | 2 | Rod-Hydro |
| 27 | 3219-2 | 2 | Nut-Hex |
| 28 | 322-6 | 2 | Screw-HH |
| 29 | 32128-20 | 4 | Nut-HF |
| 30 | 106-2242 | 2 | Handle ASM |
| 30:2 | 1-633257 | 1 | Grip-Control, Motion |
| 31 | 105-3469 | 2 | Spring-Compression |
| 32 | 106-2214 | 4 | Bolt-Shoulder |
| 33 | 105-3465 | 2 | Spring-Compression |
| 34 | 37-8771 | 4 | Bolt-Shoulder |
| 35 | 3296-2 | 2 | Nut-Lock |
| 36 | 3274-52 | 2 | Screw-HSH |
| 37 | 106-8742 | 2 | Decal |
| 38 | 32128-25 | 2 | Nut-HF |



Hydro and Belt Drive Assembly

| Ref | Part No. | Qty. | Description |
|-----|-------------|------|-----------------|
| 1 | 105-3491 | 1 | Hydrostat - RH |
| 2 | 105-3492 | 1 | Hydrostat - LH |
| 3 | 106-2174 | 2 | V-Belt |
| 4 | 95-3805 | 2 | Spring |
| 5 | 105-3438 | 2 | Tab-Locking |
| 6 | 3234-13 | 2 | Screw-HHF |
| 7 | 105-7047 | 2 | Arm-Idler |
| 8 | 106-2176 | 2 | Pulley-Idler |
| 9 | 32128-25 | 1 | Nut-HF |
| 10 | 37-8770 | 2 | Bolt-Shoulder |
| 11 | 95-8868-03 | 2 | Tube-Stop-Black |
| 12 | 106-2170-01 | 1 | Hydro Mount ASM |
| 13 | 106-7003 | 2 | Rear Wheel ASM |
| 14 | 3296-42 | 2 | Nut-Lock, NI |
| 15 | 3210-5 | 2 | Screw-HH |
| 16 | 322-20 | 4 | Screw-HH |
| 17 | 322-13 | 4 | Screw-HH |
| 18 | 3256-23 | 24 | Washer-Flat |
| 19 | 3296-29 | 16 | Nut-Lock, NI |
| 20 | 322-7 | 4 | Screw-HH |
| 21 | 5-4460 | 5 | Washer-Pivot |
| 22 | 106-7001 | 2 | Washer-Wheel |
| 23 | 105-3473 | 1 | Stop - Clutch |
| 24 | 322-9 | 4 | Screw-HH |

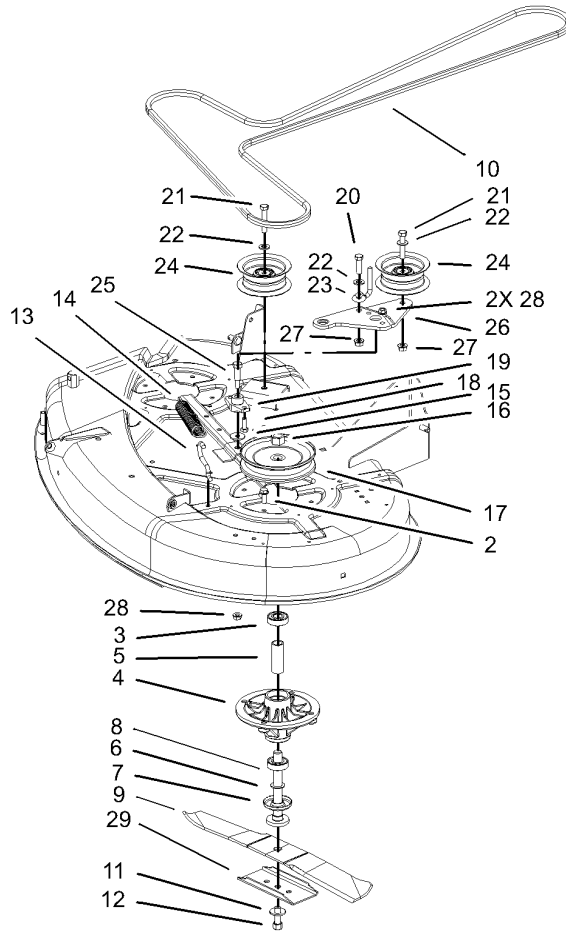
| Ref | Part No. | Qty. | Description |
|------|-------------|------|------------------|
| 25 | 322-4 | 8 | Screw-HH |
| 26 | 105-7049 | 1 | Bracket-Spring |
| 27 | 105-7046 | 1 | Bracket-Spring |
| 28 | 105-7039-01 | 2 | Support-Hydro |
| 29 | 106-2189 | 1 | Arm - Bypass, RH |
| 30 | 106-2192 | 1 | Arm - Bypass, LH |
| 31 | 106-2214 | 2 | Bolt-Shoulder |
| 32 | 106-6987-03 | 2 | Hub-Machined |
| 33 | 71-4450 | 8 | Bolt-Lug |
| 34 | 106-7002 | 2 | Vent Hose ASM |
| 34:1 | 107-1701 | 2 | Cap Vent ASM |
| 35 | 3256-3 | 2 | Washer-Flat |



Engine Assembly

| Ref | Part No. | Qty. | Description |
|------|-------------|------|---|
| 1 | | 1 | Engine-14 Hp Briggs And Stratton Model No. 280H07-0166-E1 |
| 2 | 105-3472 | 1 | Pulley-Engine |
| 3 | 2412-98 | 2 | Clamp |
| 4 | 105-3462 | 1 | Clutch-Electric |
| 5 | 106-2187 | 1 | Decal-Engine, 14 Hp |
| 6 | 106-2161 | 1 | Cover-Side, RH |
| 7 | 106-2162 | 1 | Cover-Side, LH |
| 8 | 106-2164-03 | 1 | Bracket-Support, Front |
| 9 | 106-2165-03 | 1 | Bracket-Support, Rear |
| 10 | 105-3464 | 1 | Gas Tank ASM |
| 10:2 | 46-6560 | 1 | Bushing |
| 10:3 | 104048 | 1 | Valve-Fuel |
| 11 | 106-2167-03 | 1 | Panel-Control |
| 12 | 105-3453-03 | 1 | Plate-Support |
| 13 | 11-9030 | 2 | Screw-Shoulder |
| 14 | 3229-7 | 2 | Screw-CARR |
| 15 | 3296-29 | 2 | Nut-Lock, NI |
| 16 | 46-8090 | 4 | Screw-Plastite |
| 17 | 3256-22 | 4 | Washer-Flat |
| 18 | 88-3980 | 1 | Gas Cap ASM |
| 18:3 | 88-4010 | 1 | Gasket-Cap, Gas |
| 19 | 322-7 | 4 | Screw-HH |

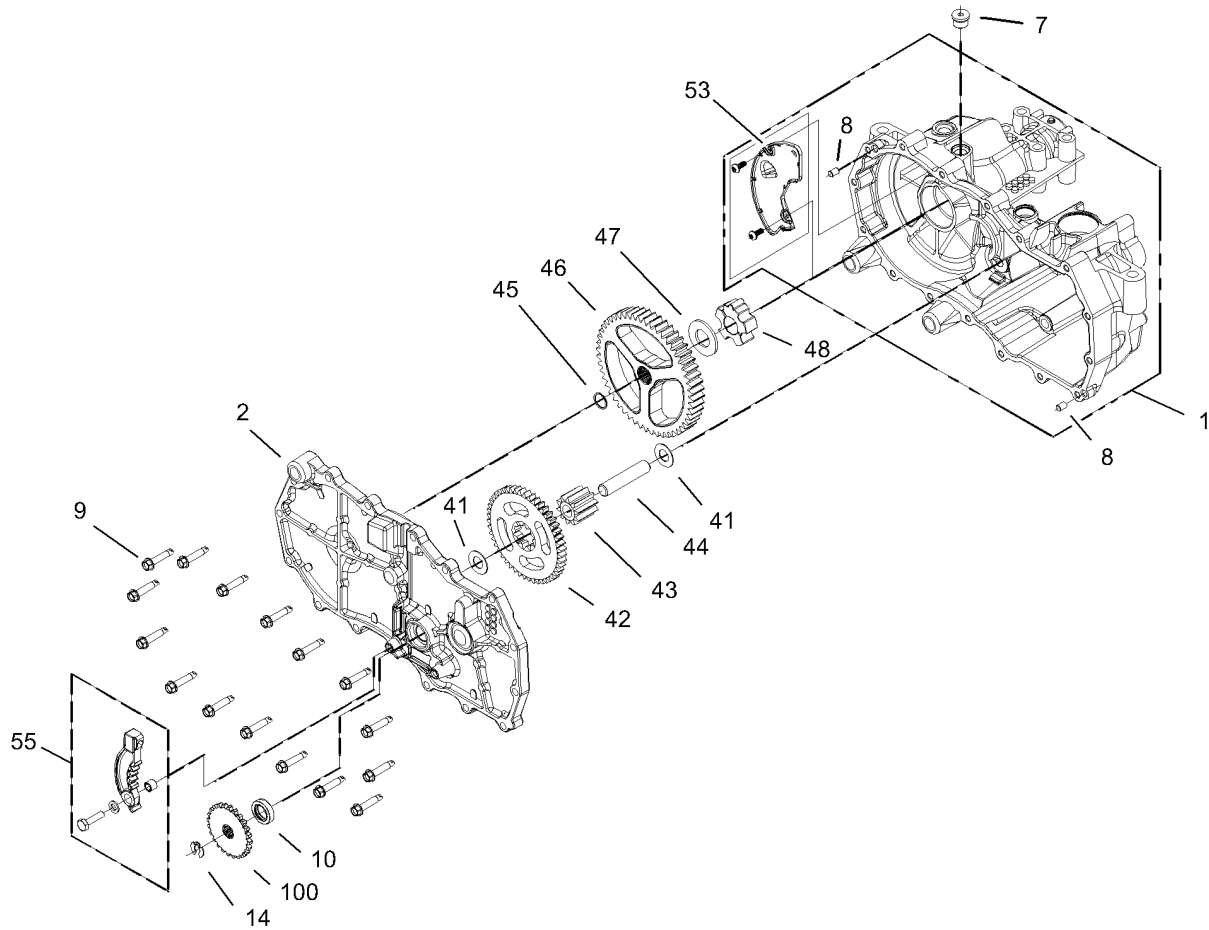
| Ref | Part No. | Qty. | Description |
|-----|-------------|------|---------------------|
| 20 | 106-8720 | 1 | Hose-Fuel |
| 22 | 46-8560 | 7 | Screw-HHF |
| 23 | 92-6877 | 1 | Valve-Drain, Oil |
| 24 | 609830 | 2 | Spring |
| 25 | 112843 | 1 | Washer |
| 26 | 3212-16 | 1 | Screw-HH |
| 27 | 98-5023 | 1 | Bumper |
| 28 | 322-4 | 2 | Screw-HH |
| 29 | 104-3626 | 1 | Cable-Throttle |
| 30 | 3258-166 | 4 | Screw-PRH |
| 31 | 62-7190 | 2 | Spacer-Steel |
| 32 | 106-2156 | 1 | Plate-Mount, Idler |
| 33 | 105-6965 | 1 | Footrest ASM |
| 34 | 321-4 | 2 | Screw-HH |
| 35 | 3296-42 | 6 | Nut-Lock, NI |
| 36 | 106-6994-03 | 1 | Brace ASM |
| 37 | 106-2193-03 | 1 | Plate-Tank |
| 38 | 107069 | 4 | Clip |
| 39 | 106-2224 | 1 | Decal-Control |
| 40 | 106-2225 | 1 | Decal - Instruction |
| 41 | 106-6990 | 1 | Decal-14-38Z |
| 42 | 106-7007 | 1 | Muffler |
| 43 | 3274-10 | 2 | Screw-HSH |
| 44 | 105-6971 | 2 | Decal |



38in Deck Spindle and Belt Drive Assembly

| Ref | Part No. | Qty. | Description |
|-----|------------|------|---------------------|
| 2 | 32144-41 | 8 | Screw-Taptite |
| 3 | 100-1048 | 4 | Bearing-Ball |
| 4 | 88-4510 | 2 | Housing-Spindle |
| 5 | 62-3661 | 2 | Spacer-Bearing |
| 6 | 80-4380 | 2 | Spacer |
| 7 | 80-4360 | 2 | Shield-Bearing |
| 8 | 80-4341 | 2 | Shaft-Spindle |
| 9 | 88-5140-03 | 2 | Blade |
| 10 | 106-6998 | 1 | V-Belt |
| 11 | 3290-465 | 2 | Washer-Belleville |
| 12 | 26-0671 | 2 | Screw-Blade |
| 13 | 88-5970 | 1 | Hook-Return, Spring |
| 14 | 106-2177 | 1 | Spring-Extension |
| 15 | 5-4460 | 1 | Washer-Pivot |
| 16 | 3219-6 | 2 | Nut-Hex |
| 17 | 88-5330 | 2 | Pully-Deck |
| 18 | 322-4 | 2 | Screw-HH |
| 19 | 88-4980 | 1 | Bushing-Arm, Idler |
| 20 | 323-7 | 1 | Screw-HH |
| 21 | 323-10 | 2 | Screw-HH |
| 22 | 3256-24 | 3 | Washer-Flat |
| 23 | 88-5070 | 1 | Guide-Idler, Belt |
| 24 | 88-5630 | 2 | Pulley-Idler, Flat |
| 25 | 7-0030 | 1 | Bolt-Shoulder |

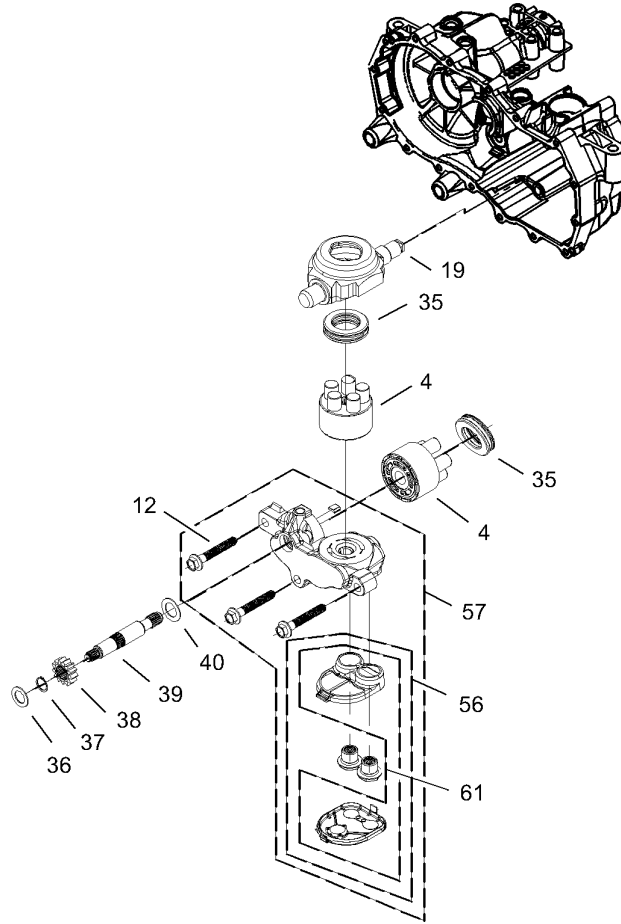
| Ref | Part No. | Qty. | Description |
|-----|-------------|------|-----------------|
| 26 | 106-6995-01 | 1 | Arm- Idler |
| 27 | 32128-21 | 2 | Nut-HF |
| 28 | 32128-25 | 3 | Nut-HF |
| 29 | 80-0510-03 | 2 | Stiffener-Blade |



Housing Assembly RH Hydrostat No. 105-3491

| Ref | Part No. | Qty. | Description |
|-----|--------------|------|------------------------|
| 1 | 106-8674 | 1 | LH Main Housing ASM |
| 2 | 106-8675 | 1 | LH Side ASM |
| 7 | 104-2189 | 1 | Plug-Thread, Straight |
| 8 | 9004800-2506 | 2 | Pin-Hydrogear |
| 9 | 104-5305 | 16 | Screw-HHF |
| 10 | 104-5347 | 1 | Seal-Oil |
| 14 | 106-8677 | 1 | Ring-Retaining, EXT |
| 41 | 94-1933 | 2 | Washer |
| 42 | 104-5317 | 1 | Gear |
| 43 | 104-5318 | 1 | Gear-Jackshaft, 10T |
| 44 | 104-5329 | 1 | Pin-Jackshaft |
| 45 | 104-5328 | 1 | Ring-Retaining, Spiral |
| 46 | 106-8684 | 1 | Gear-Bull, 52T |
| 47 | 94-1943 | 1 | Washer |
| 48 | 104-5320 | 1 | Bearing-Sleeve |
| ●52 | 106-8686 | 1 | Seal Kit |
| 53 | 106-8687 | 1 | LH Expansion Plate Kit |
| 55 | 106-8688 | 1 | Brake Arm Kit |
| ●58 | 104-2147 | 1 | Sealant |
| 100 | 106-8694 | 1 | Disc-Brake, Cog |

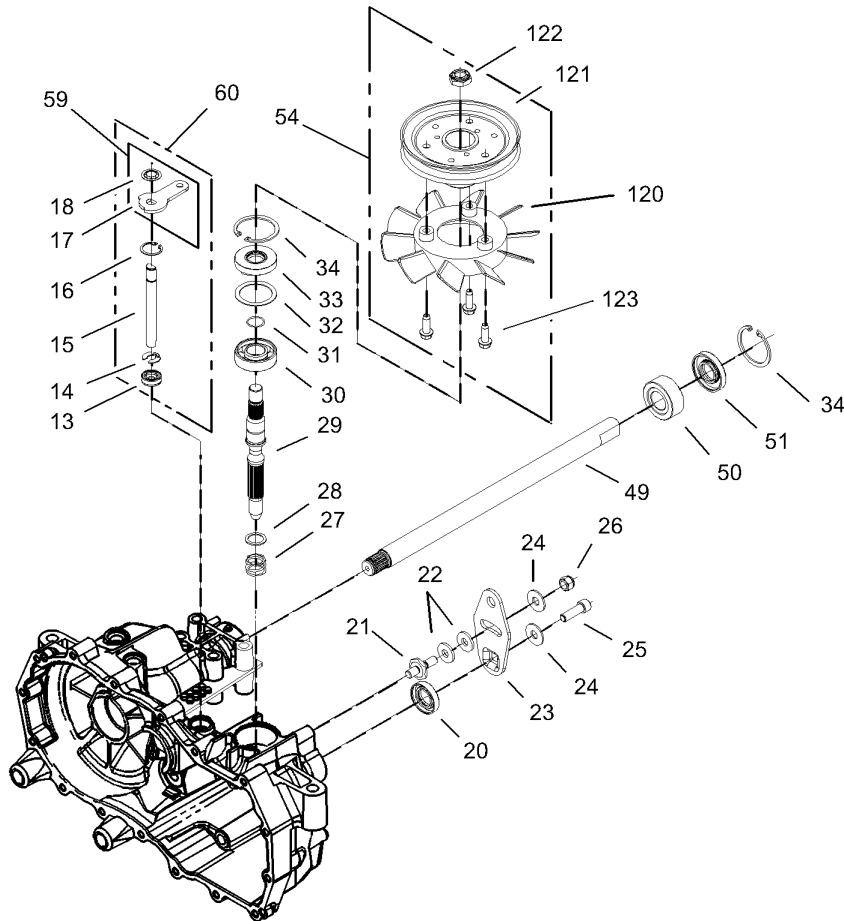
| | | | |
|--|--|--|--|
| | | | |
|--|--|--|--|



Cylinder Block Assembly RH Hydrostat No. 105-3491

| Ref | Part No. | Qty. | Description |
|-----|----------|------|------------------------------|
| 4 | 104-2106 | 1 | Cylinder Block ASM |
| 12 | 94-6926 | 3 | Bolt |
| 19 | 104-5304 | 1 | Swashplate-Trunnion |
| 35 | 94-6922 | 2 | Bearing-Thrust |
| 36 | 104-5339 | 1 | Washer-Flat |
| 37 | 104-5340 | 1 | Ring-Retaining |
| 38 | 104-5316 | 1 | Gear-Pinnion, 13T |
| 39 | 106-8683 | 1 | Shaft-Motor |
| 40 | 104-5360 | 1 | Washer-Shaft, Motor |
| 56 | 106-8689 | 1 | Filter Kit |
| 57 | 106-8690 | 1 | LH Center Section Filter Kit |
| 61 | 106-8693 | 1 | Filter Kit |

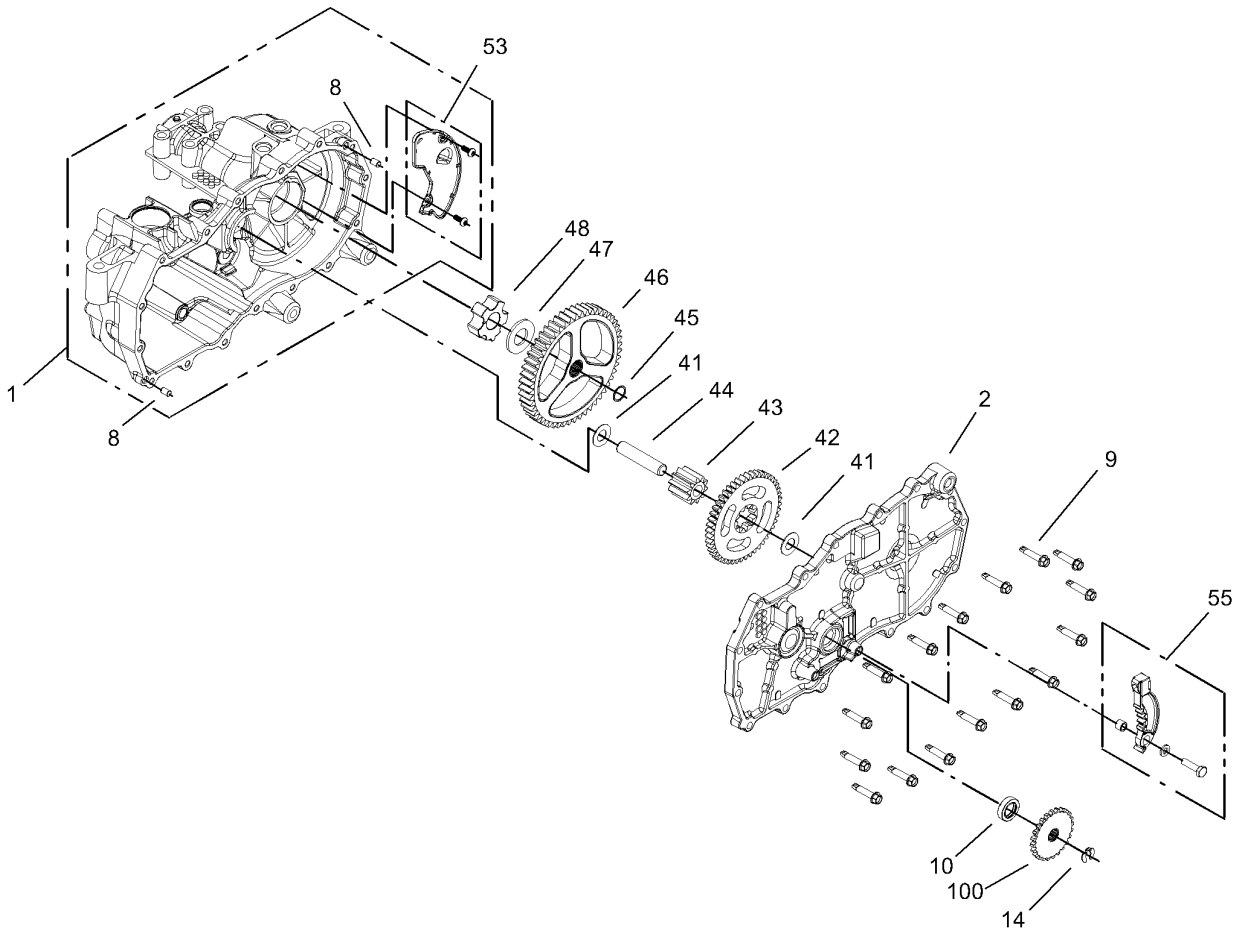
| | | | |
|--|--|--|--|
| | | | |
|--|--|--|--|



Fan and Pulley Assembly RH Hydrostat No. 105-3491

| Ref | Part No. | Qty. | Description |
|-----|----------|------|--------------------------|
| 13 | 106-8676 | 1 | Seal-Lip |
| 14 | 106-8677 | 1 | Ring-Retaining, EXT |
| 15 | 106-8678 | 1 | Rod-Bypass |
| 16 | 106-8679 | 1 | Ring-Retaining, Int |
| 17 | 106-8680 | 1 | Arm-Bypass |
| 18 | 106-8681 | 1 | Ring-Retaining, EXT |
| 20 | 104-5313 | 1 | Seal-Lip |
| 21 | 104-2116 | 1 | Stud |
| 22 | 105-1873 | 2 | Puck-Friction |
| 23 | 106-8747 | 1 | Arm-Control |
| 24 | 5-4460 | 2 | Washer-Pivot |
| 25 | 106-8682 | 1 | Screw-Sh |
| 26 | 105-1872 | 1 | Nut |
| 27 | 94-1936 | 1 | Spring-Block |
| 28 | 94-1937 | 1 | Washer-Thrust, Block |
| 29 | 104-5306 | 1 | Shaft-Input |
| 30 | 104-5311 | 1 | Bearing-Ball |
| 31 | 104-5307 | 1 | Ring-Retaining |
| 32 | 104-5308 | 1 | Spacer |
| 33 | 104-5310 | 1 | Seal-Lip |
| 34 | 104-5309 | 2 | Ring-Retaining |
| 49 | 106-8685 | 1 | Axle |
| 50 | 104-5321 | 1 | Bearing-Sleeve, Outboard |
| 51 | 104-5322 | 1 | Seal-Lip |

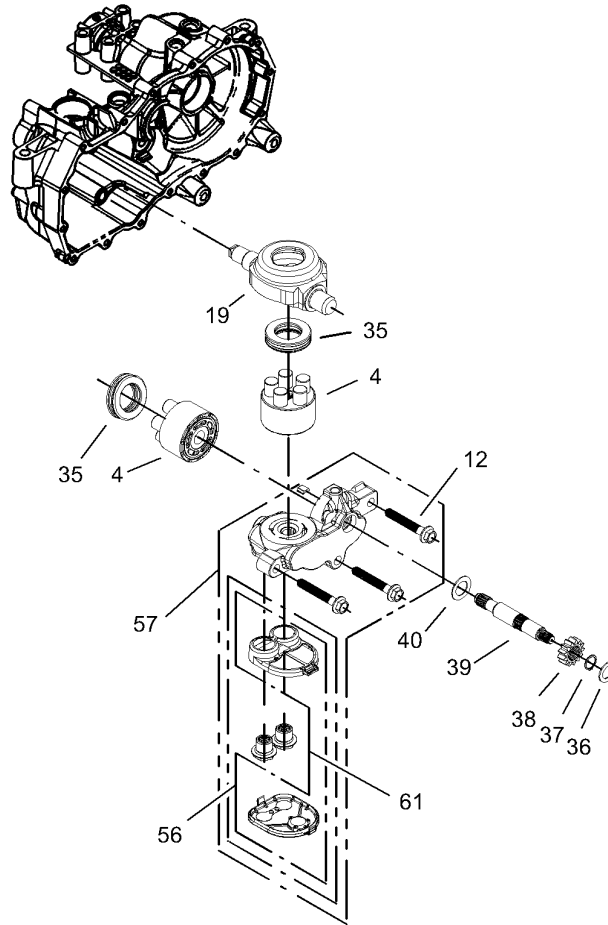
| Ref | Part No. | Qty. | Description |
|-----|----------|------|--------------------|
| 54 | 105-1928 | 1 | Fan Pulley Kit |
| 59 | 106-8691 | 1 | Bypass Arm Kit |
| 60 | 106-8692 | 1 | Bypass Arm/Rod Kit |
| 120 | 105-1927 | 1 | Fan |
| 121 | 105-1896 | 1 | Pulley |
| 122 | 105-1875 | 1 | Nut-Lock |
| 123 | 104-2120 | 3 | Screw |



Housing Assembly LH Hydrostat No. 105-3492

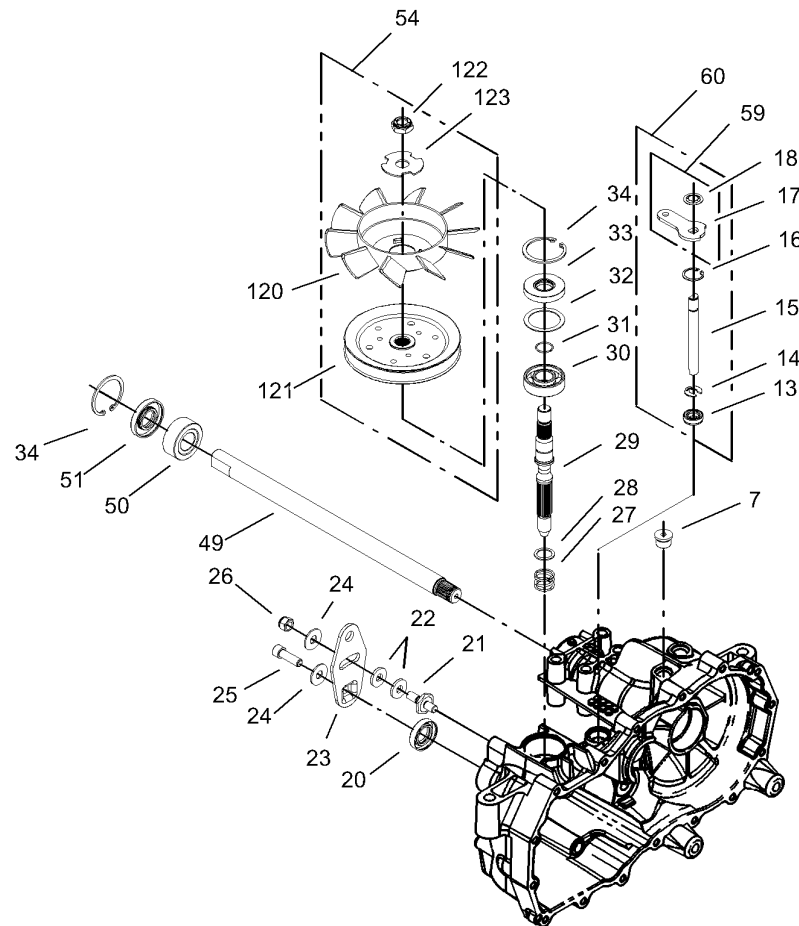
| Ref | Part No. | Qty. | Description |
|-----|--------------|------|------------------------|
| 1 | 106-8695 | 1 | RH Main Housing ASM |
| 2 | 106-8696 | 1 | RH Side ASM |
| 8 | 9004800-2506 | 2 | Pin-Hydrogear |
| 9 | 104-5305 | 16 | Screw-HHF |
| 10 | 104-5347 | 1 | Seal-Oil |
| 41 | 94-1933 | 2 | Washer |
| 42 | 104-5317 | 1 | Gear |
| 43 | 104-5318 | 1 | Gear-Jackshaft, 10T |
| 44 | 104-5329 | 1 | Pin-Jackshaft |
| 45 | 104-5328 | 1 | Ring-Retaining, Spiral |
| 46 | 106-8684 | 1 | Gear-Bull, 52T |
| 47 | 94-1943 | 1 | Washer |
| 48 | 104-5320 | 1 | Bearing-Sleeve |
| 52 | 106-8686 | 1 | Seal Kit |
| 53 | 106-8697 | 1 | RH Expansion Plate Kit |
| 55 | 106-8688 | 1 | Brake Arm Kit |
| 58 | 104-2147 | 1 | Sealant |
| 100 | 106-8694 | 1 | Disc-Brake, Cog |

| | | | |
|--|--|--|--|
| | | | |
|--|--|--|--|



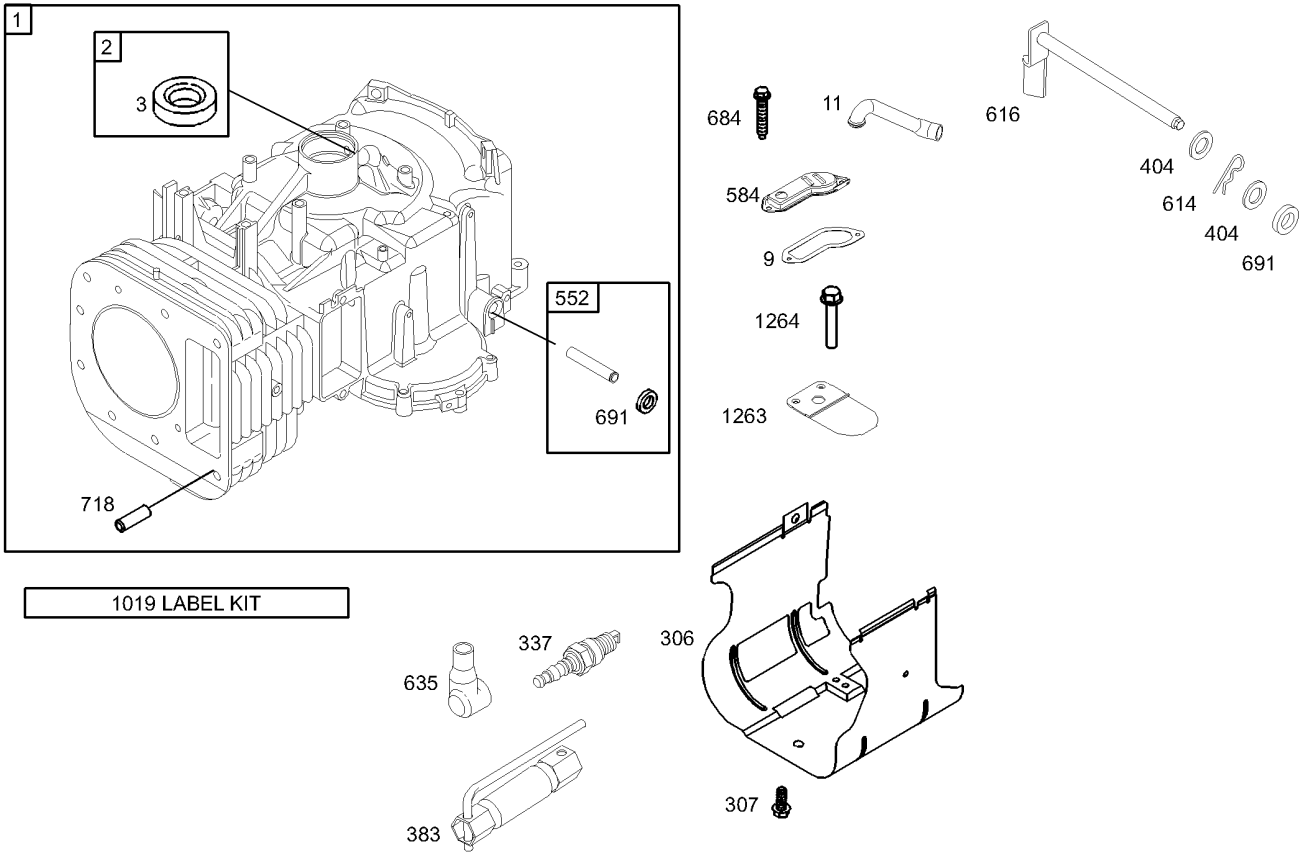
Cylinder Block Assembly LH Hydrostat No. 105-3492

| Ref | Part No. | Qty. | Description |
|-----|----------|------|------------------------------|
| 4 | 104-2106 | 1 | Cylinder Block ASM |
| 12 | 94-6926 | 3 | Bolt |
| 19 | 104-5304 | 1 | Swashplate-Trunnion |
| 35 | 94-6922 | 2 | Bearing-Thrust |
| 36 | 104-5339 | 1 | Washer-Flat |
| 37 | 104-5340 | 1 | Ring-Retaining |
| 38 | 104-5316 | 1 | Gear-Pinion, 13T |
| 39 | 106-8683 | 1 | Shaft-Motor |
| 40 | 104-5360 | 1 | Washer-Shaft, Motor |
| 56 | 106-8689 | 1 | Filter Kit |
| 57 | 106-8699 | 1 | RH Center Section Filter Kit |
| 61 | 106-8699 | 1 | RH Center Section Filter Kit |



Fan and Pulley Assembly LH Hydrostat No. 105-3492

| Ref | Part No. | Qty. | Description |
|-----|----------|------|--------------------------|
| 7 | 104-2189 | 1 | Plug-Thread, Straight |
| 13 | 106-8676 | 1 | Seal-Lip |
| 14 | 106-8677 | 2 | Ring-Retaining, EXT |
| 15 | 106-8678 | 1 | Rod-Bypass |
| 16 | 106-8679 | 1 | Ring-Retaining, Int |
| 17 | 106-8680 | 1 | Arm-Bypass |
| 18 | 106-8681 | 1 | Ring-Retaining, EXT |
| 20 | 104-5313 | 1 | Seal-Lip |
| 21 | 104-2116 | 1 | Stud |
| 22 | 105-1873 | 2 | Puck-Friction |
| 23 | 106-8747 | 1 | Arm-Control |
| 24 | 5-4460 | 2 | Washer-Pivot |
| 25 | 106-8682 | 1 | Screw-Sh |
| 26 | 105-1872 | 1 | Nut |
| 27 | 106-8747 | 1 | Arm-Control |
| 28 | 94-1937 | 1 | Washer-Thrust, Block |
| 29 | 104-5306 | 1 | Shaft-Input |
| 30 | 104-5311 | 1 | Bearing-Ball |
| 31 | 104-5307 | 1 | Ring-Retaining |
| 32 | 104-5308 | 1 | Spacer |
| 33 | 104-5310 | 1 | Seal-Lip |
| 34 | 104-5309 | 2 | Ring-Retaining |
| 49 | 106-8685 | 1 | Axle |
| 50 | 104-5321 | 1 | Bearing-Sleeve, Outboard |
| 51 | 104-5322 | 1 | Seal-Lip |
| 54 | 106-8698 | 1 | Fan Pulley Kit |
| 59 | 106-8691 | 1 | Bypass Arm Kit |
| 60 | 106-8692 | 1 | Bypass Arm/Rod Kit |
| 120 | 110-8566 | 1 | Fan-6 Inch, 10 Blade |
| 121 | 104-1754 | 1 | Pulley |
| 122 | 105-1875 | 1 | Nut-Lock |
| 123 | 104-2120 | 3 | Screw |

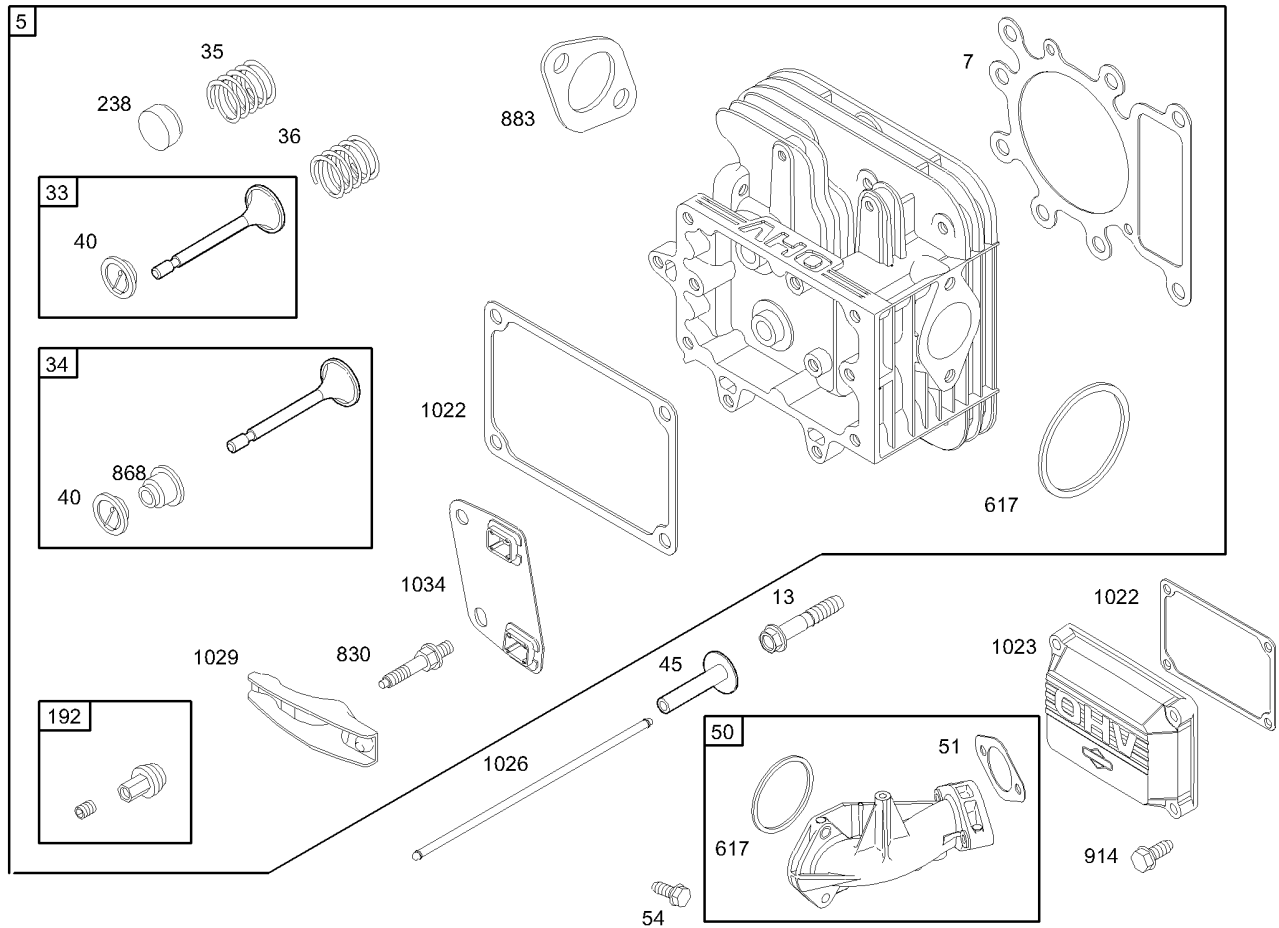


Assemblies include all parts shown in frames.

Cylinder Assembly Briggs and Stratton 280H07-0166-E1

| Ref | Part No. | Qty. | Description |
|-----|----------|------|-------------------------|
| 1 | 697132 | 1 | Cylinder ASM |
| 2 | 399265 | 1 | Bushing And Seal Kit |
| 3 | 391086 | 1 | Seal-Oil |
| 4 | 697109 | 1 | Gasket-Breather |
| 5 | 697113 | 1 | Tube-Breather |
| 6 | 697761 | 1 | Short Block |
| 7 | 697107 | 1 | Shield-Cylinder |
| 8 | 691003 | 1 | Screw |
| 9 | 691043 | 1 | Spark Plug |
| 10 | 89838 | 1 | Wrench-Plug, Spark |
| 11 | 691691 | 1 | Washer |
| 12 | 697144 | 1 | Bushing-Crank, Governor |
| 13 | 697112 | 1 | Cover-Passage, Breather |
| 14 | 691620 | 1 | Pin-Cotter |
| 15 | 692012 | 1 | Crank-Governor |
| 16 | 691909 | 1 | Boot-Spark Plug |
| 17 | 697157 | 1 | Screw |
| 18 | 692407 | 1 | Seal-Shaft, Governor |
| 19 | 690959 | 1 | Pin-Locating |
| 20 | 697143 | 1 | Label Kit |
| 21 | 697124 | 1 | Reed-Breather |
| 22 | 697104 | 1 | Screw |

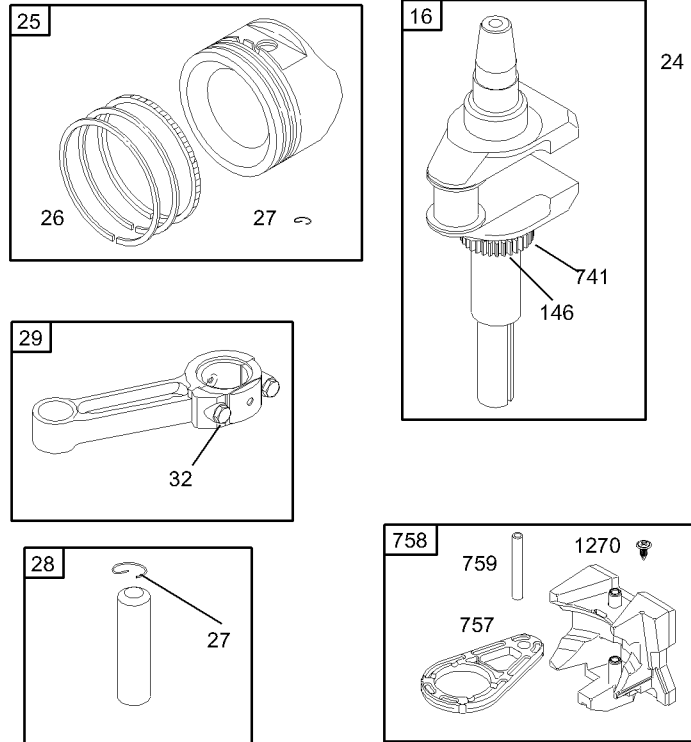
| | | | |
|--|--|--|--|
| | | | |
| | | | |
| | | | |
| | | | |



Cylinder Head Assembly Briggs and Stratton 280H07-0166-E1

| Ref | Part No. | Qty. | Description |
|------|----------|------|-----------------------|
| 75 | 698148 | 1 | Head-Cylinder |
| 77 | 273280 | 1 | Gasket-Head, Cylinder |
| 13 | 690360 | 1 | Screw |
| 33 | 695760 | 1 | Valve-Exhaust |
| 34 | 695761 | 1 | Valve-Intake |
| 35 | 691279 | 1 | Spring-Valve |
| 36 | 691279 | 1 | Spring-Valve |
| 40 | 691752 | 1 | Retainer-Valve |
| 45 | 690564 | 1 | Tappet-Valve |
| 50 | 690193 | 1 | Manifold-Intake |
| 51 | 692137 | 1 | Gasket-Intake |
| 54 | 691148 | 1 | Screw |
| 192 | 691986 | 1 | Adjustor-Arm, Rocker |
| 238 | 691843 | 1 | Cap-Valve |
| 617 | 692138 | 1 | Seal-O Ring |
| 830 | 691095 | 1 | Stud-Arm, Rocker |
| 868 | 690968 | 1 | Seal-Valve |
| 883 | 692236 | 1 | Gasket-Exhaust |
| 914 | 690960 | 1 | Screw |
| 1022 | 272475 | 1 | Gasket-Cover, Rocker |
| 1023 | 692492 | 1 | Cover-Rocker |

| Ref | Part No. | Qty. | Description |
|------|----------|------|-----------------|
| 1026 | 692003 | 1 | Rod-Push |
| 7 | 692011 | 1 | Rod-Push |
| 1029 | 691751 | 1 | Arm-Rocker |
| 1034 | 690822 | 1 | Guide-Rod, Push |

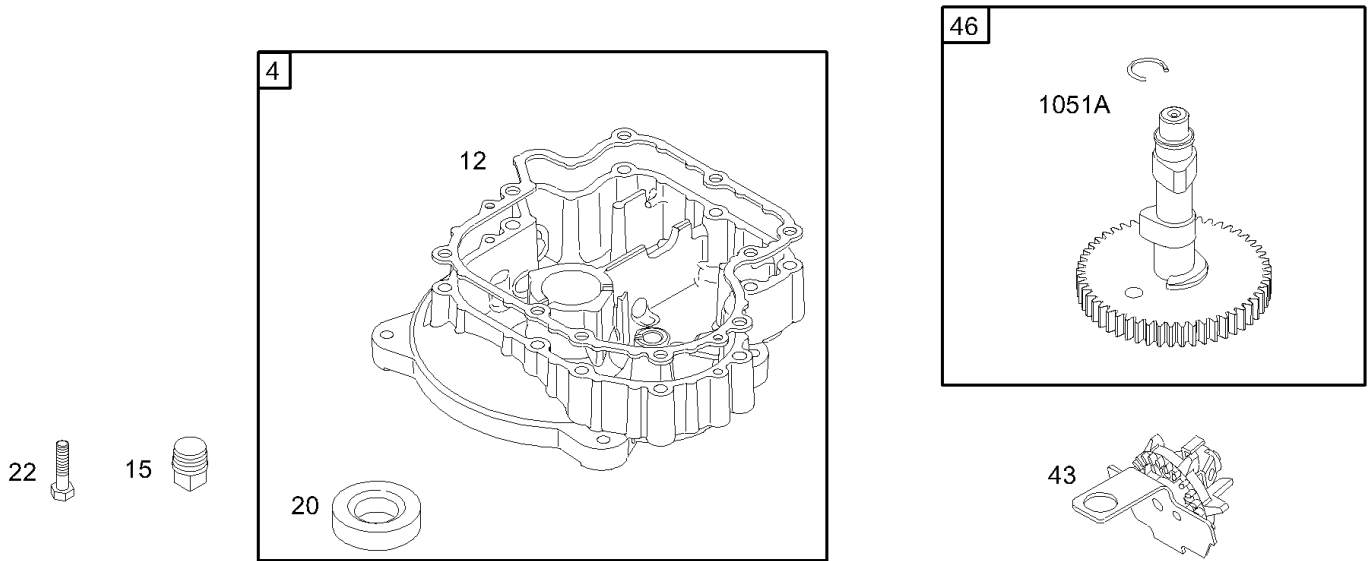


Assemblies include all parts shown in frames.

Crankshaft Assembly Briggs and Stratton 280H07-0166-E1

| Ref | Part No. | Qty. | Description |
|------|----------|------|-----------------------------------|
| 16 | 697127 | 1 | Crankshaft |
| 24 | 222698 | 1 | Key |
| 25 | 698371 | 1 | Piston ASM (Standard) |
| | 698393 | 1 | Piston ASM (.010 Oversize) |
| | 698394 | 1 | Piston ASM (.020 Oversize) |
| | 698395 | 1 | Piston ASM (.030 Oversize) |
| 26 | 697375 | 1 | Ring Set (Standard) |
| | 698396 | 1 | Ring Set (.010 Oversize) |
| | 698397 | 1 | Ring Set (.020 Oversize) |
| | 698398 | 1 | Ring Set (.030 Oversize) |
| 27 | 698469 | 1 | Lock-Pin, Piston |
| 28 | 697099 | 1 | Pin-Piston (STD) |
| 29 | 697126 | 1 | Rod-Connecting (Standard) |
| | 697263 | 1 | Rod-Connecting (.020In Undersize) |
| 32 | 692852 | 1 | Screw |
| 146 | 691639 | 1 | Key-Timing |
| 741 | 697128 | 1 | Gear-Timing |
| 757 | 697607 | 1 | Link-Counterweight |
| 758 | 697134 | 1 | Counterweight |
| 759 | 697392 | 1 | Pin-Counterweight |
| 1270 | 697156 | 1 | Plug-Counterweight, Avs |

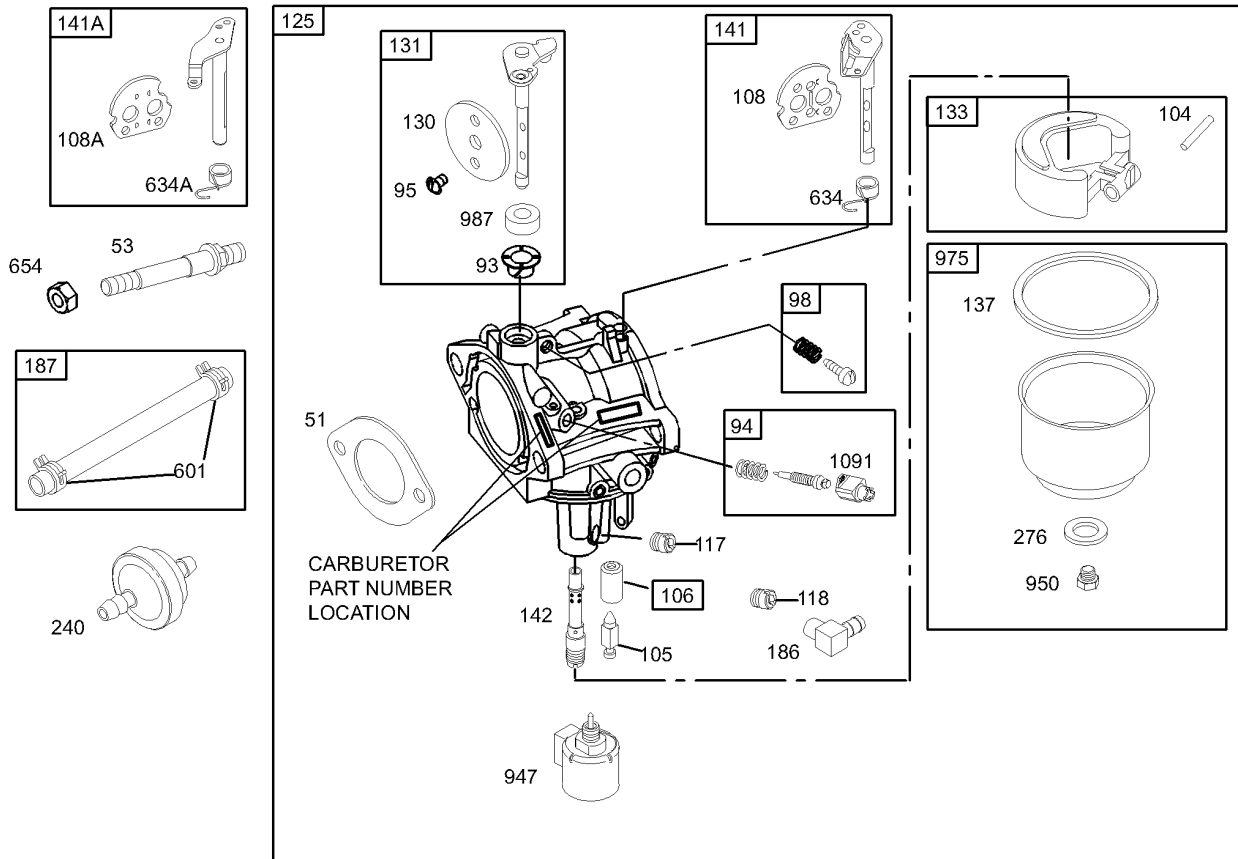
| | | | |
|--|--|--|--|
| | | | |
|--|--|--|--|



Assemblies include all parts shown in frames.

Crankcase Assembly Briggs and Stratton 280H07-0166-E1

| Ref | Part No. | Qty. | Description |
|-------|----------|------|----------------------|
| 4 | 697106 | 1 | Sump-Engine |
| 12 | 697110 | 1 | Gasket-Crankcase |
| 15 | 690946 | 1 | Plug-Drain, Oil |
| 20 | 690947 | 1 | Seal-Oil |
| 22 | 692125 | 1 | Screw |
| 43 | 691968 | 1 | Slinger-Governor,Oil |
| 46 | 698577 | 1 | Camshaft |
| 1051A | 698802 | 1 | Ring-Retaining |

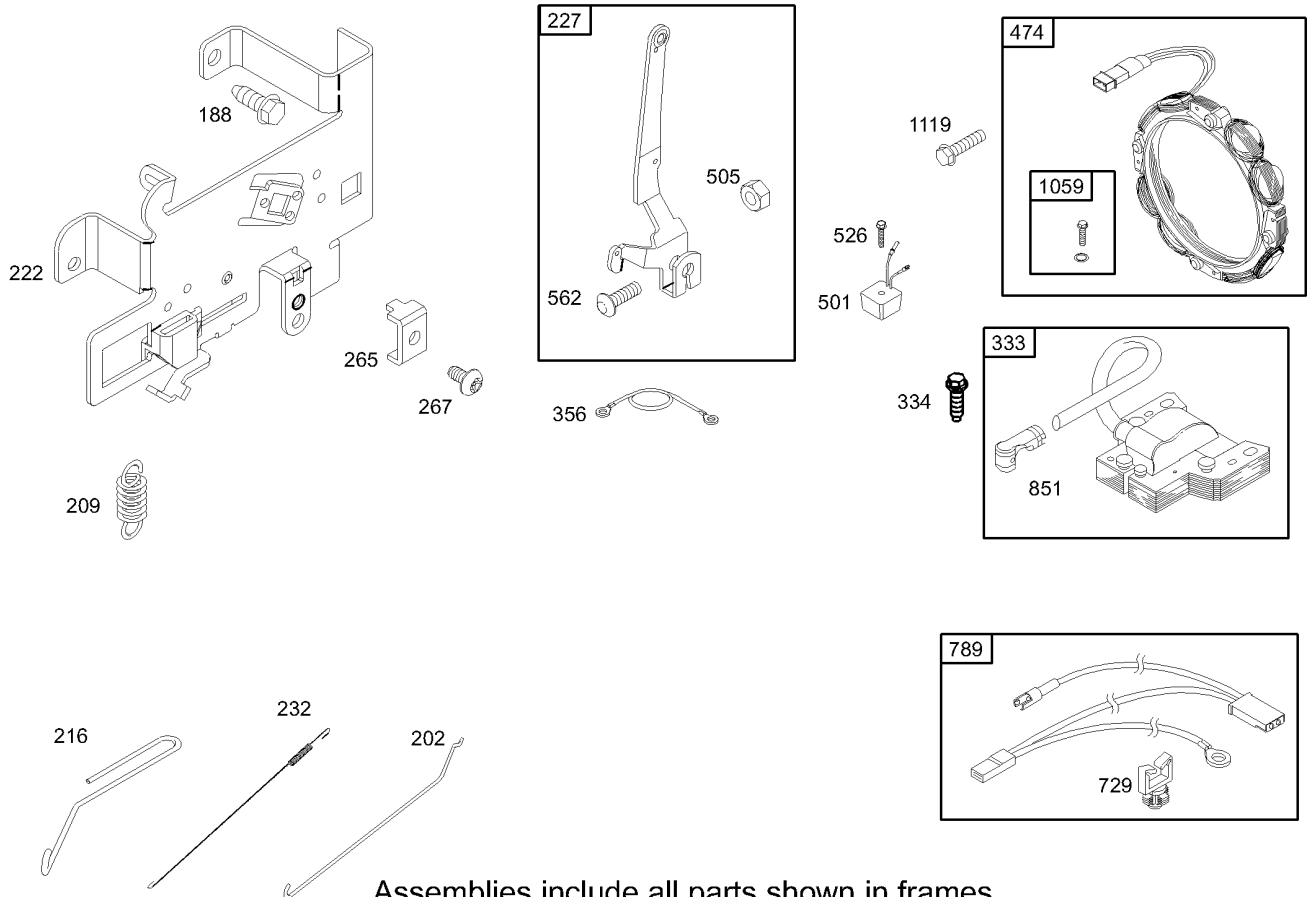


Assemblies include all parts shown in frames.

Carburetor Assembly Briggs and Stratton 280H07-0166-E1

| Ref | Part No. | Qty. | Description |
|---------|----------|------|-----------------------------|
| 5 4 51 | 692137 | 1 | Gasket-Intake |
| 5 6 | | | |
| 7 53 | 690227 | 1 | Stud |
| 5 7 93 | 690602 | 1 | Bushing-Shaft, Throttle |
| 7 94 | 498030 | 1 | Idle Mixture Kit |
| 5 7 95 | 691636 | 1 | Screw |
| 7 98 | 495800 | 1 | Idle Speed Kit |
| 5 7 104 | 690525 | 1 | Pin-Hinge, Carburetor Float |
| 5 7 105 | 231855 | 1 | Valve-Needle, Float |
| 5 7 106 | 690577 | 1 | Seat-Inlet |
| 7 108 | 690464 | 1 | Valve-Choke |
| 7 108A | 692344 | 1 | Valve-Choke |
| 5 7 117 | 694352 | 1 | Jet-Main (STD) |
| 7 118 | 697228 | 1 | Jet-Main (High Altitude) |
| 7 125 | 697190 | 1 | Carburetor |
| 7 130 | 691750 | 1 | Valve-Throttle |
| 7 131 | 494379 | 1 | Throttle Shaft Kit |
| 7 133 | 494381 | 1 | Float-Carburetor |
| 5 6 137 | 281165 | 1 | Gasket-Bowl, Float |
| 7 | | | |
| 7 141 | 495097 | 1 | Choke Shaft Kit |
| 7 141A | 495931 | 1 | Choke Shaft Kit |
| 5 7 142 | 697140 | 1 | Nozzle-Carburetor |
| 7 186 | 692317 | 1 | Connector-Hose |

| Ref | Part No. | Qty. | Description |
|----------|----------|------|----------------------|
| 7 187 | 697098 | 1 | Line-Fuel |
| 7 240 | 394358 | 1 | Filter-Fuel |
| 5 6 276 | 692255 | 1 | Washer-Sealing |
| 7 | | | |
| 7 601 | 95162 | 1 | Clamp-Hose |
| 5 7 634 | 690801 | 1 | Spring / Seal ASM |
| 5 7 634A | 690802 | 1 | Spring And Seal ASM |
| 7 654 | 690958 | 1 | Nut |
| 7 947 | 694393 | 1 | Solenoid-Fuel |
| 7 950 | 691657 | 1 | Screw |
| 7 975 | 495933 | 1 | Bowl-Float |
| 5 7 987 | 691326 | 1 | Seal-Shaft, Throttle |
| 7 1091 | 691333 | 1 | Cap-Limiter |

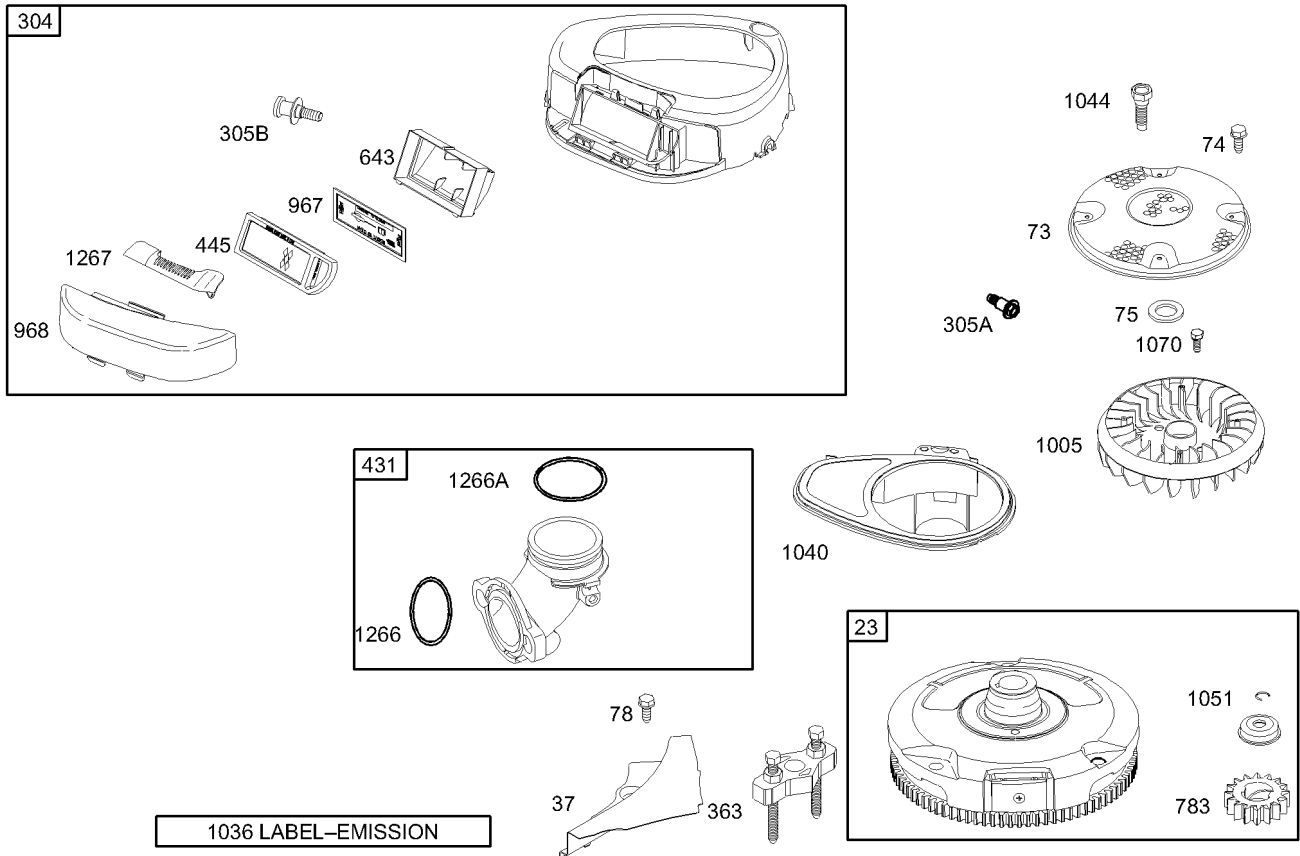


Assemblies include all parts shown in frames.

Governor Assembly Briggs and Stratton 280H07-0166-E1

| Ref | Part No. | Qty. | Description |
|------|----------|------|---------------------------|
| 188 | 691693 | 1 | Screw |
| 202 | 691841 | 1 | Link-Governor, Mechanical |
| 209 | 692208 | 1 | Spring-Governor |
| 216 | 691840 | 1 | Link-Choke |
| 222 | 694042 | 1 | Bracket-Control |
| 227 | 691374 | 1 | Lever-Control, Governor |
| 232 | 691842 | 1 | Spring-Link, Governor |
| 265 | 691024 | 1 | Clamp-Casing |
| 267 | 695134 | 1 | Screw |
| 333 | 492341 | 1 | Armature-Magneto |
| 334 | 691061 | 1 | Screw |
| 356 | 697089 | 1 | Stop-Wire |
| 474 | 696457 | 1 | Alternator |
| | 696458 | 1 | Alternator |
| 501 | 691188 | 1 | Regulator |
| 501 | 691185 | 1 | Regulator |
| 505 | 691251 | 1 | Nut |
| 526 | 697088 | 1 | Screw |
| | 697348 | 1 | Screw |
| 562 | 691119 | 1 | Screw |
| 729 | 691335 | 1 | Clip-Wire |
| 789 | 692037 | 1 | Wiring-Harness |
| 851 | 692424 | 1 | Terminal-Spark Plug |
| 1059 | 698516 | 1 | Screw And Washer Kit |

| Ref | Part No. | Qty. | Description |
|------|----------|------|-------------|
| 1119 | 691183 | 1 | Screw |

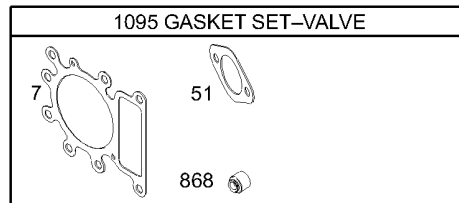
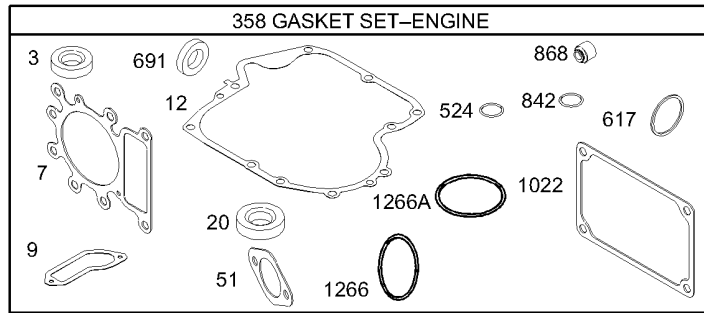


Assemblies include all parts shown in frames.

Blower Housing Assembly Briggs and Stratton 280H07-0166-E1

| Ref | Part No. | Qty. | Description |
|---------|----------|------|-------------------------------|
| ⑦23 | 693556 | 1 | Flywheel |
| ⑦37 | 697352 | 1 | Guard-Flywheel |
| ⑦73 | 697384 | 1 | Screen-Rotating |
| ⑦74 | 697897 | 1 | Screw |
| ⑦75 | 690582 | 1 | Washer-Flywheel |
| ⑦78 | 691003 | 1 | Screw |
| ⑦304 | 698599 | 1 | Housing-Blower |
| ⑦305 | 697102 | 1 | Screw |
| ⑦305A | 697103 | 1 | Screw |
| ⑦363 | 19203 | 1 | Puller-Flywheel |
| ⑦431 | 697122 | 1 | Elbow-Intake |
| ⑦445 | 698083 | 1 | Filter-Cartridge, Air Cleaner |
| ⑦643 | 698401 | 1 | Retainer-Filter, Air |
| ⑦783 | 693713 | 1 | Gear-Pinion |
| ⑦967 | 697015 | 1 | Filter-Cleaner, Pre |
| ⑦968 | 698403 | 1 | Cover-Cleaner, Air |
| ⑦1005 | 697853 | 1 | Fan-Flywheel |
| ⑦1036 | 695700 | 1 | Label-Emission |
| ⑦1040 | 698368 | 1 | Plate-Trim |
| ⑦1044 | 691658 | 1 | Screw-Crankshaft Extension |
| ⑦1051 | 691265 | 1 | Ring-Retaining |
| ⑦1070 | 690372 | 1 | Screw |
| ③⑦1266 | 691917 | 1 | Seal-O Ring |
| ③⑦1266A | 697123 | 1 | Seal-O Ring |

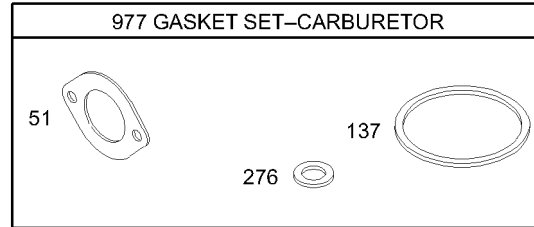
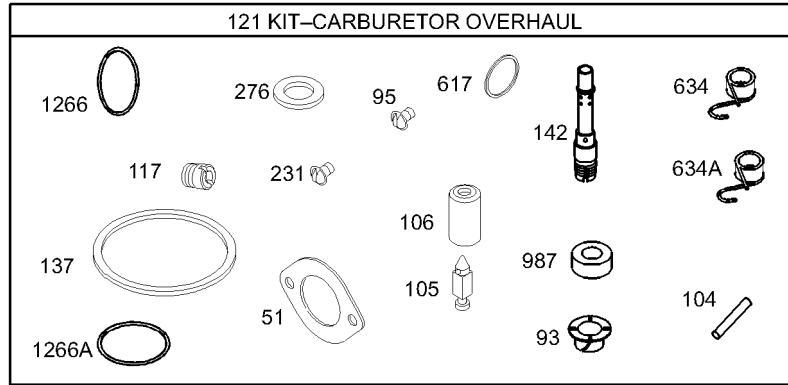
| Ref | Part No. | Qty. | Description |
|-------|----------|------|-----------------------|
| ⑦1267 | 697419 | 1 | Latch-Housing, Blower |



Assemblies include all parts shown in frames.

Gasket Assembly Briggs and Stratton Model 280H07-0166-E1

| Ref | Part No. | Qty. | Description | | | | |
|---------|----------|------|-----------------------|--|--|--|--|
| 373 | 391086 | 1 | Seal-Oil | | | | |
| 377 | 273280 | 1 | Gasket-Head, Cylinder | | | | |
| 379 | 697109 | 1 | Gasket-Breather | | | | |
| 3712 | 697110 | 0 | Gasket-Crankcase | | | | |
| 3720 | 690947 | 1 | Seal-Oil | | | | |
| 451 | 692137 | 1 | Gasket-Intake | | | | |
| 36 | | | | | | | |
| 7358 | 697151 | 1 | Engine Gasket Set | | | | |
| 4617 | 692138 | 1 | Seal-O Ring | | | | |
| 37 | | | | | | | |
| 37524 | 691032 | 1 | Seal-O Ring | | | | |
| 37691 | 692407 | 1 | Seal-Shaft, Governor | | | | |
| 37842 | 691031 | 1 | Seal-O Ring | | | | |
| 4868 | 690968 | 1 | Seal-Valve | | | | |
| 7 | | | | | | | |
| 371022 | 272475 | 1 | Gasket-Cover, Rocker | | | | |
| 71095 | 691581 | 1 | Valve Gasket Set | | | | |
| 351266 | 691917 | 1 | Seal-O Ring | | | | |
| 7 | | | | | | | |
| 351266A | 697123 | 1 | Seal-O Ring | | | | |
| 7 | | | | | | | |



Assemblies include all parts shown in frames.

Carburetor Overhaul Kit Assembly Briggs and Stratton 280H07-0166-E1

| Ref | Part No. | Qty. | Description |
|--------------|----------|------|-----------------------------|
| ④51 ⑤⑥ | 692137 | 1 | Gasket-Intake |
| ⑤793 | 690602 | 1 | Bushing-Shaft, Throttle |
| ⑤795 | 691636 | 1 | Screw |
| ⑤7104 | 690525 | 1 | Pin-Hinge, Carburetor Float |
| ⑤7105 | 231855 | 1 | Valve-Needle, Float |
| ⑤7106 | 690577 | 1 | Seat-Inlet |
| ⑤7117 | 694352 | 1 | Jet-Main (STD) |
| ⑦121 | 697154 | 1 | Carburetor Overhaul Kit |
| ⑤⑥137 ⑦ | 281165 | 1 | Gasket-Bowl, Float |
| ⑤7142 | 697140 | 1 | Nozzle-Carburetor |
| ⑤7231 | 691636 | 1 | Screw |
| ⑤⑥276 ⑦ | 692255 | 1 | Washer-Sealing |
| ⑤⑤617 ⑦ | 692138 | 1 | Seal-O Ring |
| ⑤7634 | 690801 | 1 | Spring / Seal ASM |
| ⑤7634A | 690802 | 1 | Spring And Seal ASM |
| ⑦977 | 690192 | 1 | Carburetor Gasket Set |
| ⑤7987 | 691326 | 1 | Seal-Shaft, Throttle |
| ⑤⑤1266 ⑦ | 691917 | 1 | Seal-O Ring |
| ⑤⑤1266A ⑦ | 697123 | 1 | Seal-O Ring |

NOTES

NOTES

NOTES

