



Greensmaster® 1000 Mower

Model No. 04034 - 280000001 and up.

Parts Catalog

Ordering Replacement Parts

To order replacement parts, please supply the part number, the quantity, and the description of each part desired.

Understanding Reference Numbers

Each identified part in an illustration has a reference number. The reference number for a part also appears in the parts list, along with other information about the part.

This catalog uses two special reference number formats, one to indicate parts in a service assembly and another to indicate the quantity of a given part in an illustration.

Service Assembly Reference Numbers

Parts in service assemblies have reference numbers in the form a:b. The a represents the reference number of the entire service assembly and the b represents a sequential number unique to each part within the service assembly.

For example, a wheel assembly might be identified by reference number 6, the tire by 6:1, the valve by 6:2, and the wheel by 6:3. When you order the assembly identified by reference number 6, you receive all parts identified by reference numbers 6:1, 6:2, and 6:3. However, you may also order any part individually. Reference numbers of this type appear in illustrations and in part lists.

Reference Numbers Indicating Quantity

In an illustration, if a reference number indicates more than one part, the reference number has the form nX y. The n represents the quantity of the part, the X is the multiplication symbol, and the y represents the reference number.

For example, in an illustration, the reference number 2X 37 means that two of the parts identified by reference number 37 are indicated.

Contents

| Description | Page | Description | Page |
|-----------------------------------|----------|-----------------------------------|----------|
| Frame Assembly | 3 | Cylinder and Crankcase Assembly | 17 |
| Engine Mount And Frame Assembly | 4 | Piston and Crankshaft Assembly | 18 |
| Reel Drive Assembly | 5 | Valve and Camshaft Assembly | 19 |
| Reel Assembly | 7 | Lubrication Equipment Assembly | 20 |
| Drum Drive Assembly | 8 | Cooling Equipment Assembly | 21 |
| Drum and Basket Assembly | 10 | Electric Equipment Assembly | 22 |
| Differential Assembly No. 93-6055 | 11 | Control Equipment Assembly | 23 |
| Inner Countershaft Assembly | 12 | Carburetor Assembly | 24 |
| Outer Crankshaft Assembly | 13 | Air Filter and Muffler Assembly | 25 |
| Engine Assembly | 14 | Fuel Tank and Fuel Valve Assembly | 26 |
| Bellcrank Assembly | 15 | Starter Assembly | 27 |
| Handle Assembly | 16 | Label Set | 28 |
| | | Attachments and Accessories List | 29 |

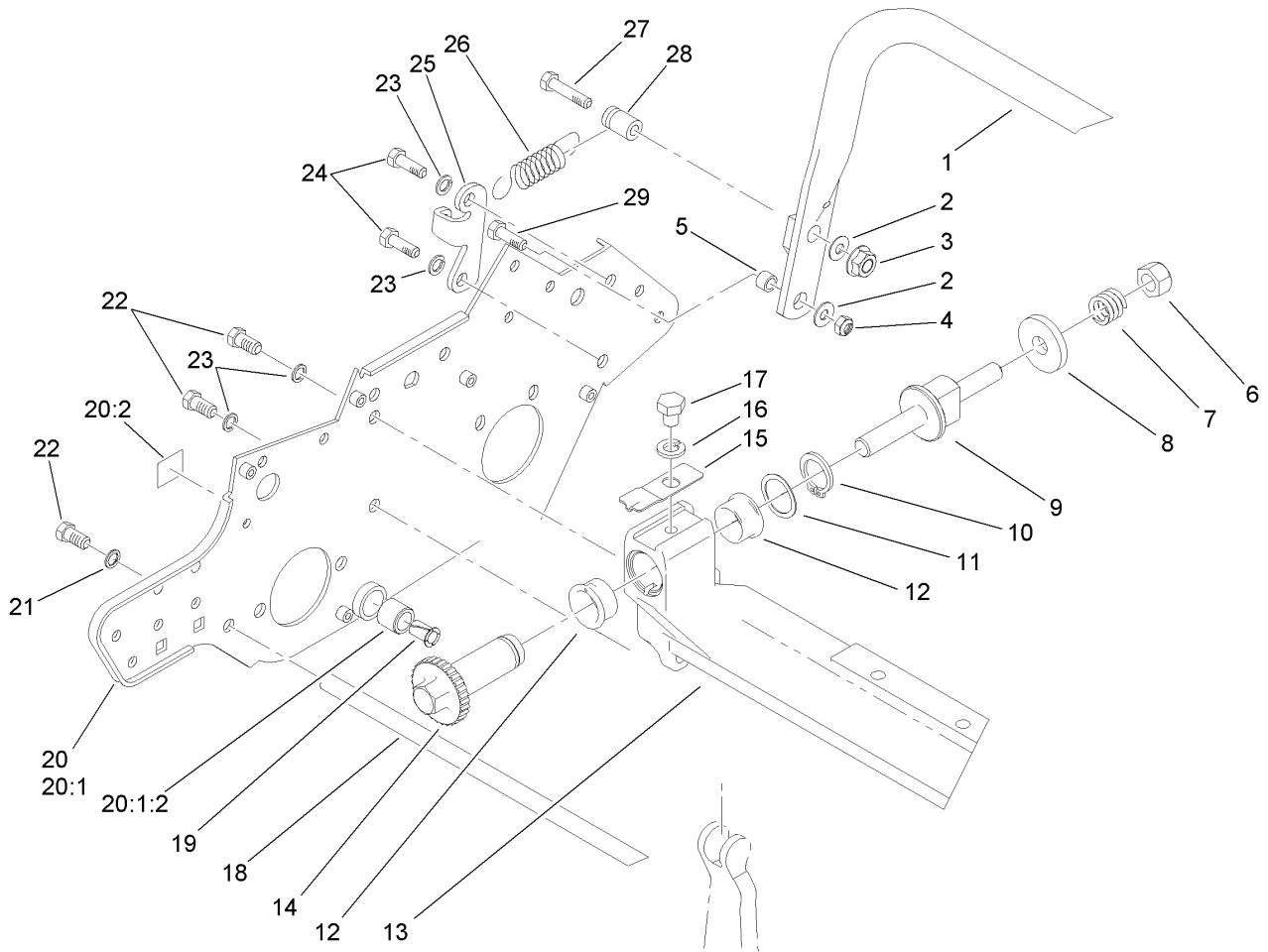
Part Description Abbreviations

Part descriptions in this catalog may include the following abbreviations.

| | |
|--|--|
| AR. as required | HYD. hydraulic |
| ASM. assembly | LH. left hand |
| BBC. blade brake clutch | NI. nylon insert |
| CARR. carriage | NPTF. national pipe thread fine |
| DEG. degrees | PFH. phillips flat head |
| EXT. external | PPH. phillips pan head |
| FH. flat head | PPHTF. phillips pan head thread forming |
| GA. gauge | PRH. phillips round head |
| HD. heavy-duty | PTH. phillips truss head |
| HF. hex flange | PTO. power-take-off |
| HH. hex head | RH. right hand |
| HHF. hex head flange | ROPS. roll-over protection system |
| HHFTF. hex head flange thread forming | SFH. slotted fillister head |
| HJ. hex jam | SHH. slotted hex head |
| HLH. hex lag head | SHWH. slotted hex washer head |
| HOC. height-of-cut | SPH. slotted pan head |
| HSBH. hex socket button head | SQH. square head |
| HSFH. hex socket flat head | SRH. slotted round head |
| HSH. hex socket head | STD. standard |
| HWH. hex washer head | TAP. self tapping |
| HWHTF. hex washer head thread forming | TTH. torx truss head |

Footnotes

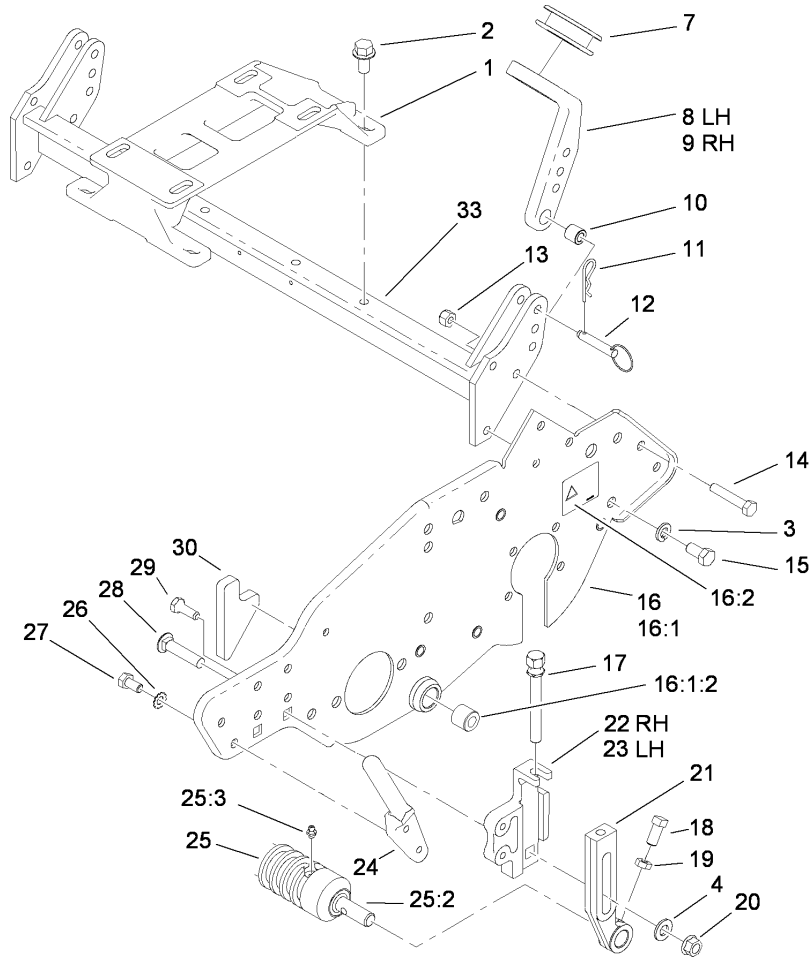
- ❶ Not serviced separately



Frame Assembly

| Ref | Part No. | Qty. | Description |
|--------|-------------|------|-----------------------------|
| 1 | 65-7850-03 | 1 | Kickstand ASM |
| 2 | 3256-2 | 3 | Washer-Flat |
| 3 | 32128-25 | 1 | Nut-HF |
| 4 | 3296-29 | 2 | Nut-Lock, NI |
| 5 | 65-7910 | 2 | Spacer |
| 6 | 33025-00 | 2 | Nut-Lock |
| 7 | 99-3755 | 2 | Spring-Compression |
| 8 | 99-2098 | 2 | Washer |
| 9 | 99-2096 | 2 | Screw-Adjuster, Bedbar |
| 10 | 32120-93 | 2 | Ring-Retaining |
| 11 | 106-5335 | 2 | Washer-Wave |
| 12 | 106-5344 | 4 | Bushing-Flange, Keyed |
| 13 | 112-9272-01 | 1 | Crossmember |
| 14 | 106-5363 | 2 | Shaft-Adjuster |
| 15 | 99-2097 | 2 | Detent |
| 16 | 3253-4 | 2 | Washer-Lock |
| 17 | 322-26 | 2 | Screw-HH |
| 18 | 88-7110 | 1 | Rod-Support, Frame |
| 19 | 52-2890 | 2 | Bushing-Nylon |
| 20 | 93-6093 | 1 | RH Side Plate ASM |
| 20:1 | | 1 | RH Sideplate/Bushing ASM |
| 20:1:2 | 63-9510 | 1 | Bushing |
| 20:2 | 93-9356 | 2 | Decal-Warning, Belt |
| 20:2 | 93-9389 | 2 | Decal-Warning, Belt (Japan) |

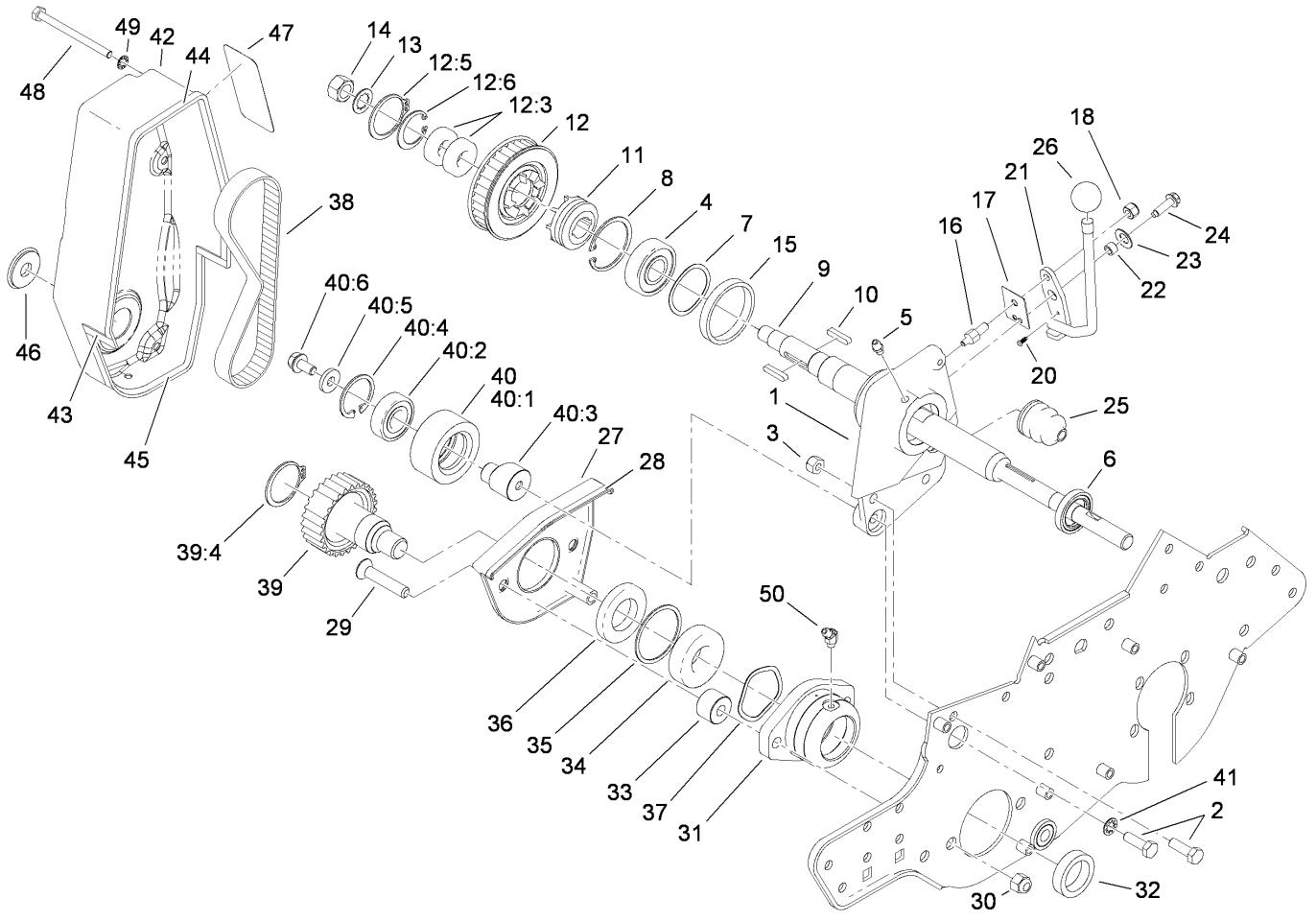
| Ref | Part No. | Qty. | Description |
|-----|----------|------|-----------------------|
| 21 | 3254-6 | 2 | Washer-Lock, Internal |
| 22 | 323-4 | 6 | Screw-HH |
| 23 | 3253-21 | 6 | Washer-Lock |
| 24 | 323-5 | 2 | Screw-HH |
| 25 | 65-7890 | 1 | Bracket |
| 26 | 65-7880 | 1 | Spring-Extension |
| 27 | 322-10 | 1 | Screw-HH |
| 28 | 65-7900 | 1 | Retainer-Spring |
| 29 | 322-5 | 2 | Screw-HH |



Engine Mount And Frame Assembly

| Ref | Part No. | Qty. | Description |
|--------|----------|------|-----------------------------|
| 1 | 88-7670 | 1 | Mount-Engine |
| 2 | 3234-1 | 4 | Screw-HHF |
| 3 | 3253-21 | 2 | Washer-Lock |
| 4 | 3256-24 | 2 | Washer-Flat |
| 7 | 65-7510 | 2 | Grommet-Handle |
| 8 | 93-6038 | 1 | Arm-Support, Handle (LH) |
| 9 | 93-6037 | 1 | Arm-Support, Handle (RH) |
| 10 | 93-6024 | 2 | Bushing-Support, Handle |
| 11 | 3290-467 | 2 | Pin-Hair |
| 12 | 93-6029 | 2 | Pin-Clevis, Ring |
| 13 | 3296-29 | 2 | Nut-Lock, NI |
| 14 | 322-9 | 2 | Screw-HH |
| 15 | 323-4 | 2 | Screw-HH |
| 16 | 93-6094 | 1 | LH Side Plate ASM |
| 16:1 | | 1 | LH Sideplate/Bushing ASM |
| 16:1:2 | 63-9510 | 1 | Bushing |
| 16:2 | 93-9356 | 1 | Decal-Warning, Belt |
| 16:2 | 93-9389 | 1 | Decal-Warning, Belt (Japan) |
| 17 | 93-6051 | 2 | Screw-HOC |
| 18 | 3242-4 | 2 | Screw-Set, SQH |
| 19 | 3218-2 | 2 | Nut-Jam |
| 20 | 32128-21 | 2 | Nut-HF |
| 21 | 93-6090 | 2 | Arm-HOC |
| 22 | 93-6048 | 1 | Bracket-HOC, RH |

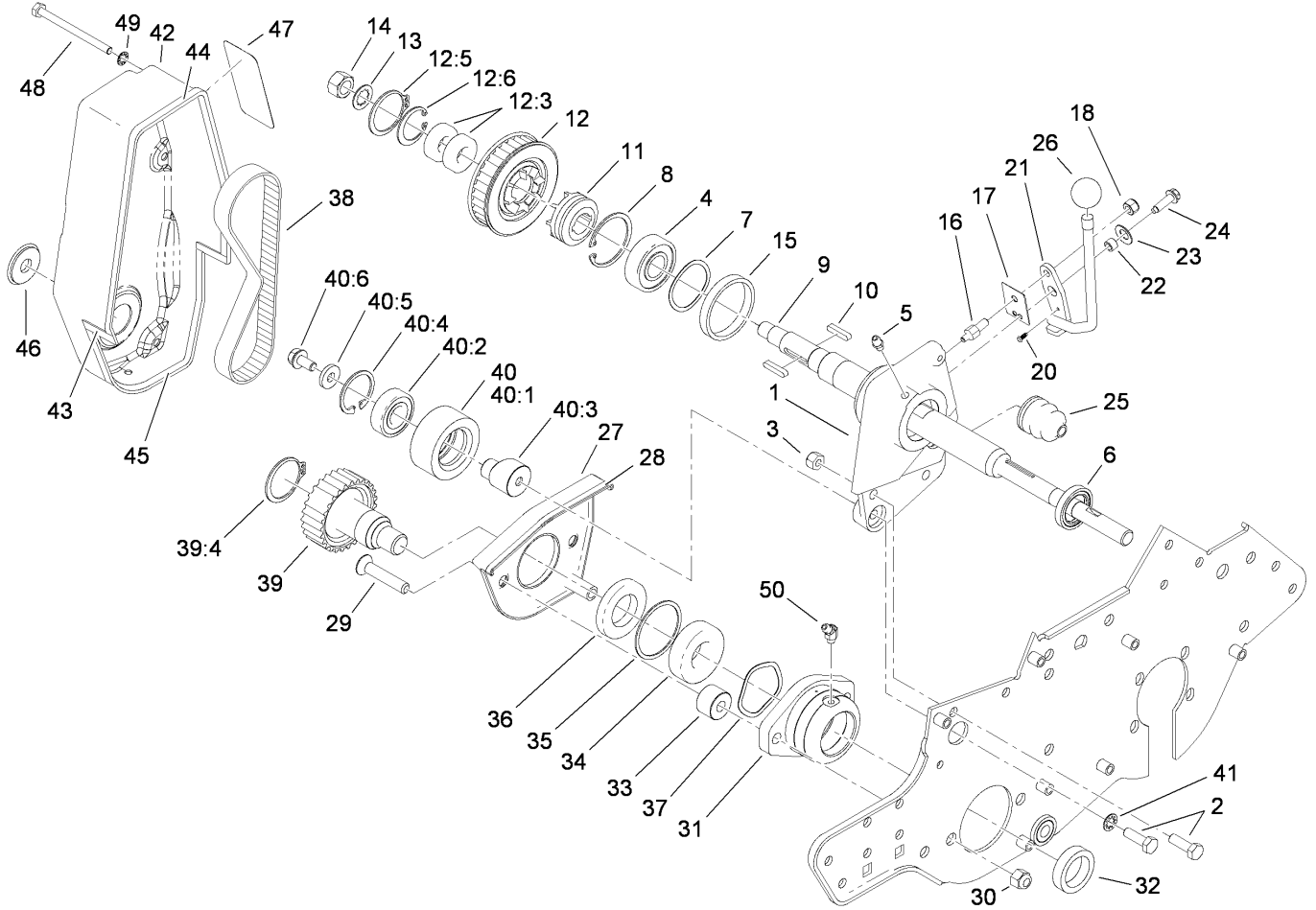
| Ref | Part No. | Qty. | Description |
|------|------------|------|-------------------------------------|
| 23 | 93-6049 | 1 | Bracket-HOC, LH |
| 24 | 65-8570 | 2 | Rod-Mounting |
| 25 | 99-6241 | 1 | Wihle Roller ASM (.20 Inch Spacing) |
| 25:2 | 52-3180 | 2 | Bearing-Roller, Front |
| 25:3 | 302-5 | 2 | Fitting-Grease |
| 26 | 3255-8 | 4 | Washer-Lock |
| 27 | 322-2 | 4 | Screw-HH |
| 28 | 3231-5 | 2 | Screw-CARR |
| 29 | 92-8914 | 4 | Bolt-Face, Tapered |
| 30 | 93-6064 | 1 | Seal-Catcher, Grass |
| 33 | 93-6025-01 | 1 | Tube-Frame, Rear |



Reel Drive Assembly

| Ref | Part No. | Qty. | Description |
|------|----------|------|-----------------------|
| 1 | 92-8013 | 1 | Housing-Clutch |
| 2 | 322-5 | 3 | Screw-HH |
| 3 | 3296-29 | 2 | Nut-Lock, NI |
| 4 | 251-318 | 1 | Bearing-Ball |
| 5 | 302-5 | 1 | Fitting-Grease |
| 6 | 253-118 | 1 | Seal-Oil |
| 7 | 88-7720 | 1 | Spring-Wave |
| 8 | 32151-75 | 1 | Ring-Retaining |
| 9 | 93-6056 | 1 | Shaft-Power |
| 10 | 88-7150 | 2 | Key |
| 11 | 65-6940 | 1 | Clutch-Slider, Jaw |
| 12 | 88-7830 | 1 | Clutch And Pulley ASM |
| 12:3 | 251-336 | 2 | Bearing-Ball |
| 12:5 | 32151-95 | 1 | Ring-Retaining |
| 12:6 | 32151-89 | 1 | Ring-Retaining, Bowed |
| 13 | 3254-4 | 1 | Washer-Lock/Int |
| 14 | 3219-5 | 1 | Nut-Hex |
| 15 | 65-6970 | 1 | Seal-Felt |
| 16 | 93-9014 | 1 | Pin-Clutch, Actuator |
| 17 | 65-6290 | 1 | Spring-Detent, Clutch |
| 18 | 3296-42 | 1 | Nut-Lock, NI |
| 20 | 95-5731 | 1 | Screw-Drive |
| 21 | 88-7170 | 1 | Lever-Clutch |
| 22 | 88-7860 | 1 | Spacer |

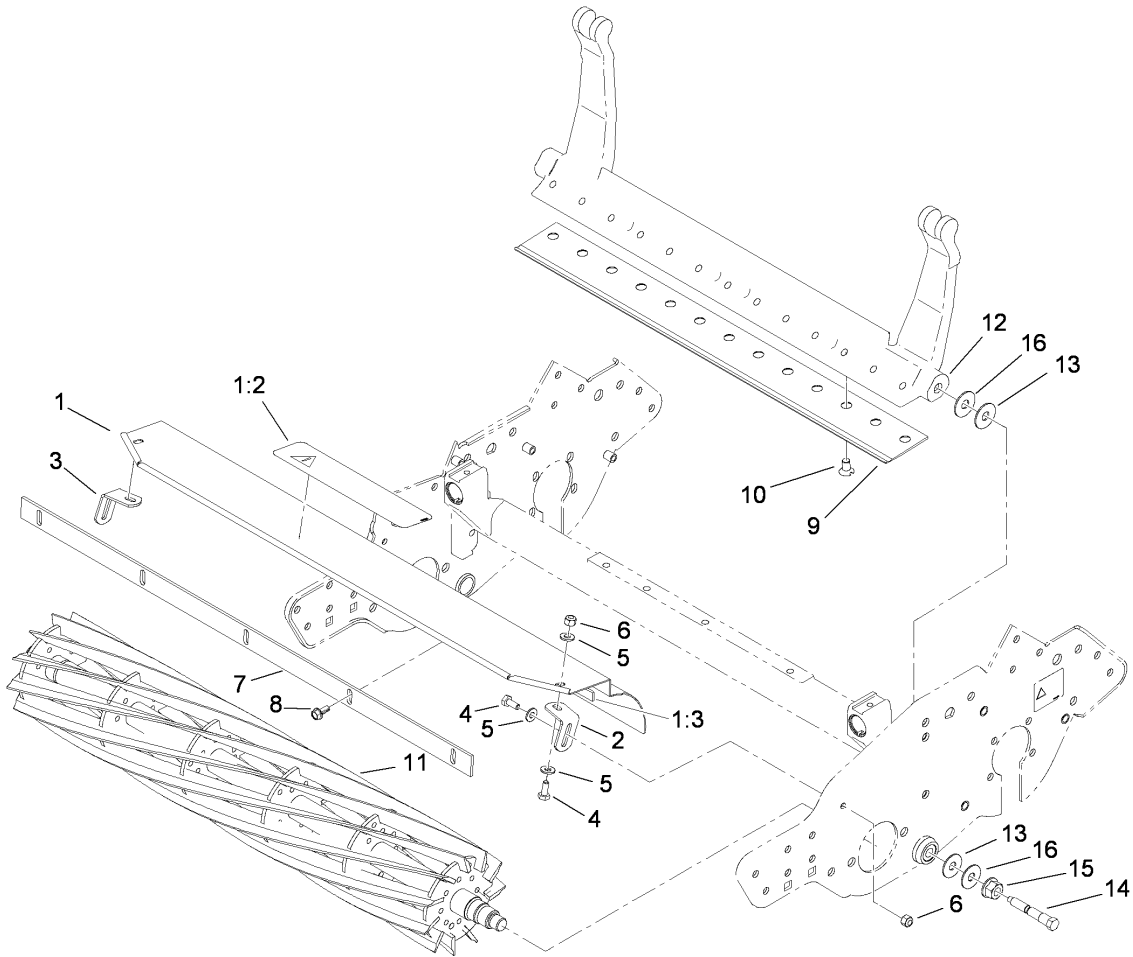
| Ref | Part No. | Qty. | Description |
|------|------------|------|----------------------|
| 23 | 3290-414 | 1 | Washer-Belleville |
| 24 | 80-0700 | 1 | Screw |
| 25 | 65-8960 | 1 | Boot-Clutch |
| 26 | 233-69 | 1 | Knob |
| 27 | 65-7190-01 | 1 | Cover-Arm |
| 28 | 65-7131 | 1 | Seal-Cover, Strip |
| 29 | 3289-23 | 2 | Capscrew |
| 30 | 3296-39 | 2 | Nut-Lock, NI |
| 31 | 65-8640 | 1 | Housing-Bearing |
| 32 | 253-96 | 1 | Seal-Oil |
| 33 | 65-8290 | 2 | Standoff-Cover |
| 34 | 251-342 | 1 | Bearing-Ball |
| 35 | 32151-92 | 1 | Ring-Retaining |
| 36 | 253-163 | 1 | Seal |
| 37 | 3290-485 | 1 | Washer-Wave |
| 38 | 65-6200 | 1 | Belt |
| 39 | 88-7840 | 1 | Pulley And Drive ASM |
| 39:4 | 32151-95 | 1 | Ring-Retaining |
| 40 | 88-7850 | 1 | Idler Pulley ASM |
| 40:1 | 88-7180 | 1 | Pulley-Idler |
| 40:2 | 38-7820 | 1 | Bearing-Ball |
| 40:3 | 88-7190 | 1 | Spacer |
| 40:4 | 32120-42 | 1 | Ring-Retaining |
| 40:5 | 88-7200 | 1 | Washer-Flat |



Reel Drive Assembly (continued)

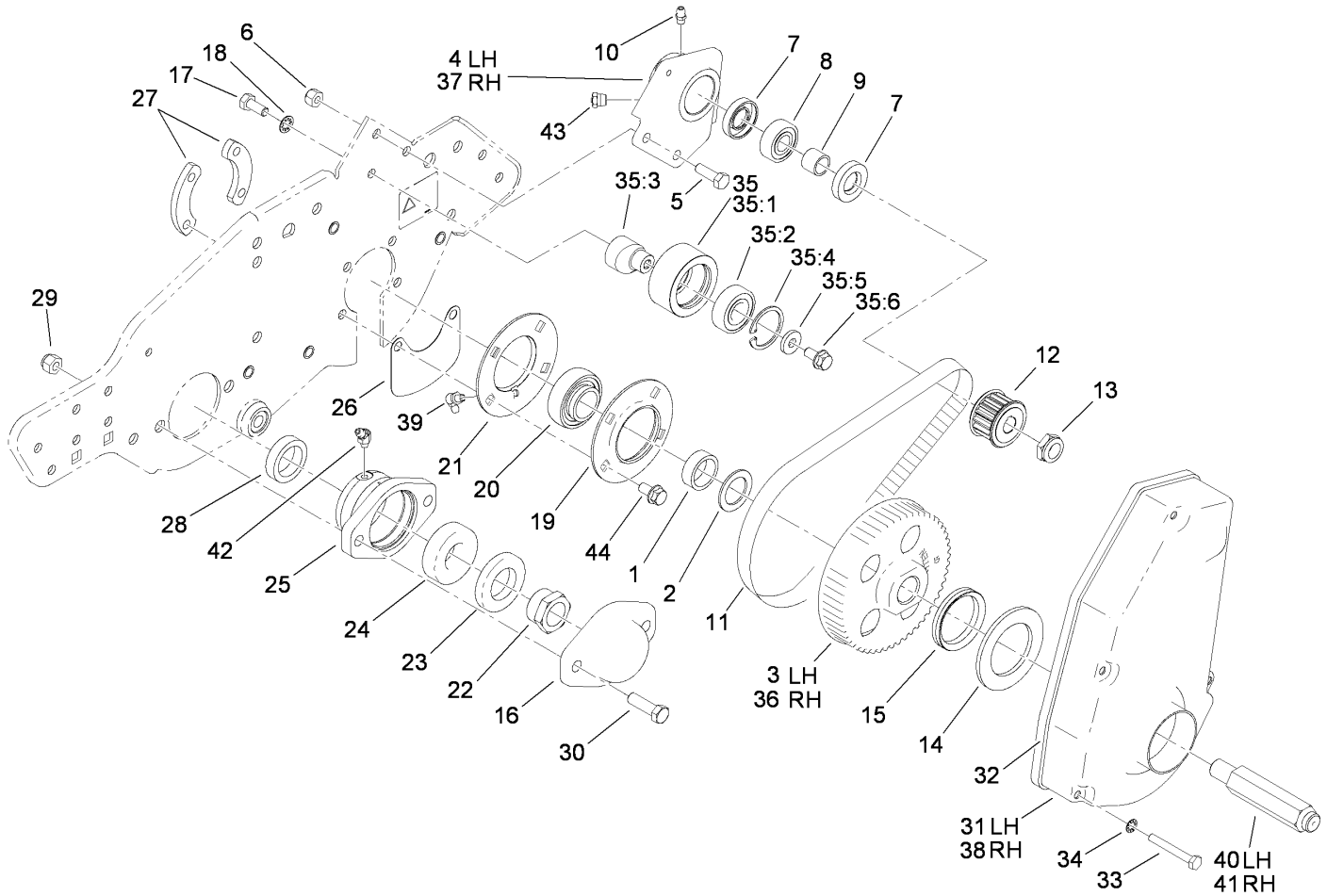
| Ref | Part No. | Qty. | Description |
|------|------------|------|--------------------------------|
| 40:6 | 3234-14 | 1 | Screw-HHF |
| 41 | 3254-2 | 1 | Washer-Lock, Internal |
| 42 | 88-7700-01 | 1 | Cover-Drive, Reel |
| 43 | 88-7770 | 2 | Strip-Seal, Front |
| 44 | 88-7790 | 1 | Strip-Seal, Upper |
| 45 | 88-7800 | 1 | Strip-Seal, Lower |
| 46 | 237-160 | 1 | Plug-Rubber |
| 47 | 92-4817 | 1 | Decal-Engagement, Reel (Japan) |
| 47 | 93-7346 | 1 | Decal-Engagement, Reel |
| 48 | 321-20 | 4 | Screw-HH |
| 49 | 3254-8 | 4 | Washer-Lock |
| 50 | 302-11 | 1 | Fitting-Lube, 45 DEG |

| | | | |
|--|--|--|--|
| | | | |
| | | | |
| | | | |
| | | | |
| | | | |
| | | | |
| | | | |
| | | | |
| | | | |
| | | | |



Reel Assembly

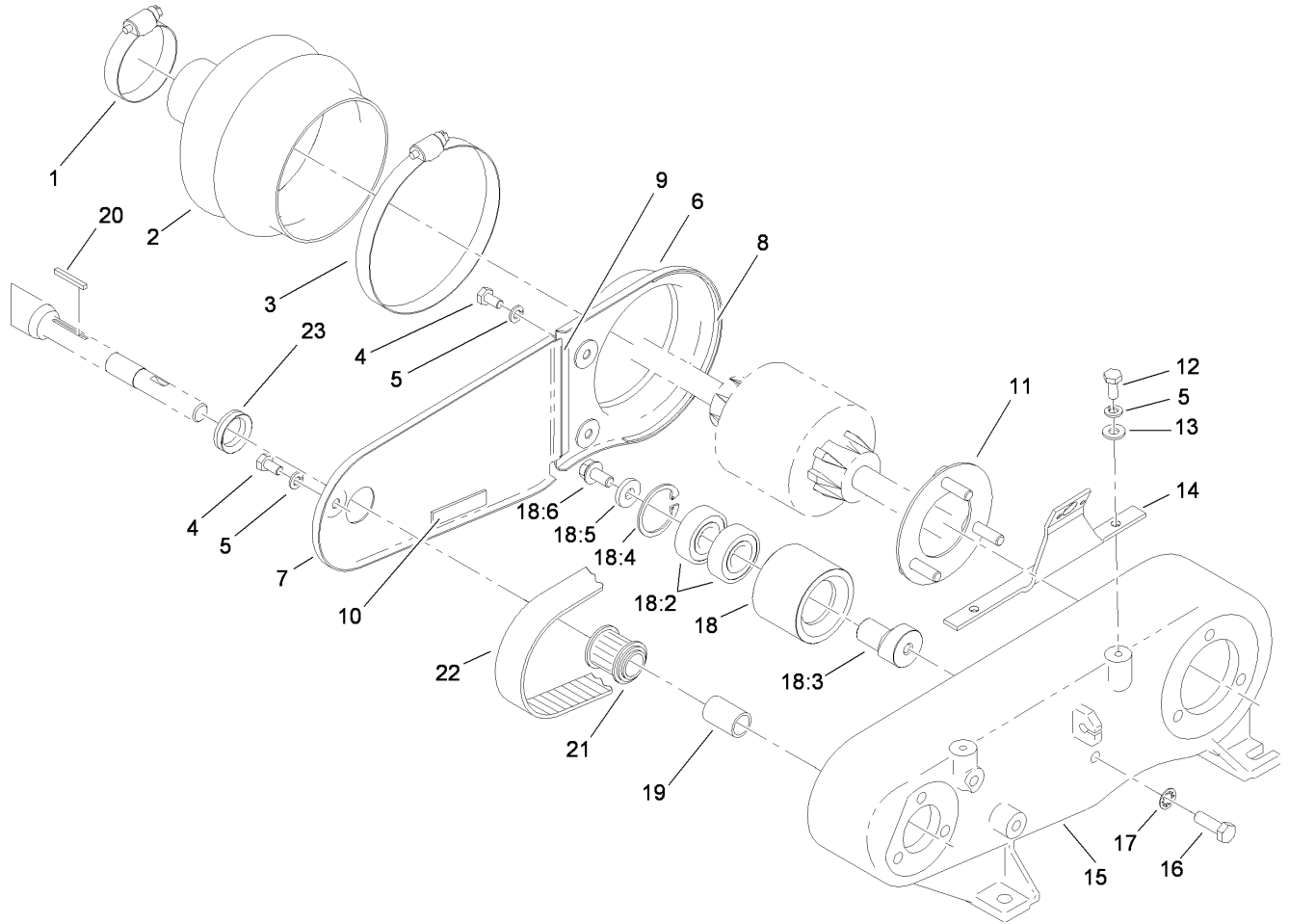
| Ref | Part No. | Qty. | Description | | | | |
|-----|-------------|------|-------------------------|--|--|--|--|
| 1 | 112-9471 | 1 | Grass Shield ASM | | | | |
| 1:2 | 84-6560 | 1 | Decal-Warning (Japan) | | | | |
| 1:2 | 93-8064 | 1 | Decal-Danger, Ce | | | | |
| 1:3 | 106-2619 | 1 | Strip-Seal | | | | |
| 2 | 65-6450 | 1 | Bracket-LH | | | | |
| 3 | 65-6460 | 1 | Bracket-RH | | | | |
| 4 | 321-3 | 4 | Screw-HH | | | | |
| 5 | 3256-22 | 6 | Washer-Flat | | | | |
| 6 | 3296-42 | 4 | Nut-Lock, NI | | | | |
| 7 | 36-7260 | 1 | Bar-Off, Cut | | | | |
| 8 | 104-2065 | 5 | Screw-HWH | | | | |
| 9 | 93-4263 | 1 | Bedknife-Tournament Cut | | | | |
| 10 | 57-4910 | 13 | Screw-Special | | | | |
| 11 | 93-6097 | 1 | 11 Blade Reel ASM | | | | |
| 12 | 112-9281-01 | 1 | Bedbar-Standard | | | | |
| 13 | 52-2900 | 4 | Washer-Plastic | | | | |
| 14 | 65-6270 | 2 | Bolt-Bedbar | | | | |
| 15 | 32128-48 | 2 | Nut-Lock, HHF | | | | |
| 16 | 52-2860 | 4 | Washer | | | | |



Drum Drive Assembly

| Ref | Part No. | Qty. | Description |
|-----|------------|------|------------------------------------|
| 1 | 88-7530 | 2 | Spacer |
| 2 | 88-7540 | 2 | Washer-Backup |
| 3 | 105-5365 | 1 | Pulley-Drum, LH |
| 4 | 108-9414 | 1 | Housing-Support, Differential (LH) |
| 5 | 322-5 | 4 | Screw-HH |
| 6 | 3296-29 | 4 | Nut-Lock, NI |
| 7 | 253-160 | 4 | Seal-Grease |
| 8 | 251-338 | 2 | Bearing-Ball |
| 9 | 86-7130 | 2 | Spacer-Pulley |
| 10 | 302-5 | 2 | Fitting-Grease |
| 11 | 65-6210 | 2 | Belt |
| 12 | 65-6660 | 2 | Pulley |
| 13 | 3296-57 | 2 | Nut-Lock, NI |
| 14 | 94-9018 | 2 | Washer-Plastic |
| 15 | 253-161 | 2 | Seal-V-Ring |
| 16 | 65-6220-01 | 1 | Cover-End, Reel |
| 17 | 322-3 | 2 | Screw-HH |
| 18 | 3254-2 | 2 | Washer-Lock, Internal |
| 19 | 65-6590 | 2 | Flangette-Bearing |
| 20 | 88-7880 | 2 | Bearing |
| 21 | 95-0923 | 2 | Flangette |
| 22 | 92-7302 | 1 | Nut-Bearing, Lock |
| 23 | 253-163 | 1 | Seal |
| 24 | 251-342 | 1 | Bearing-Ball |

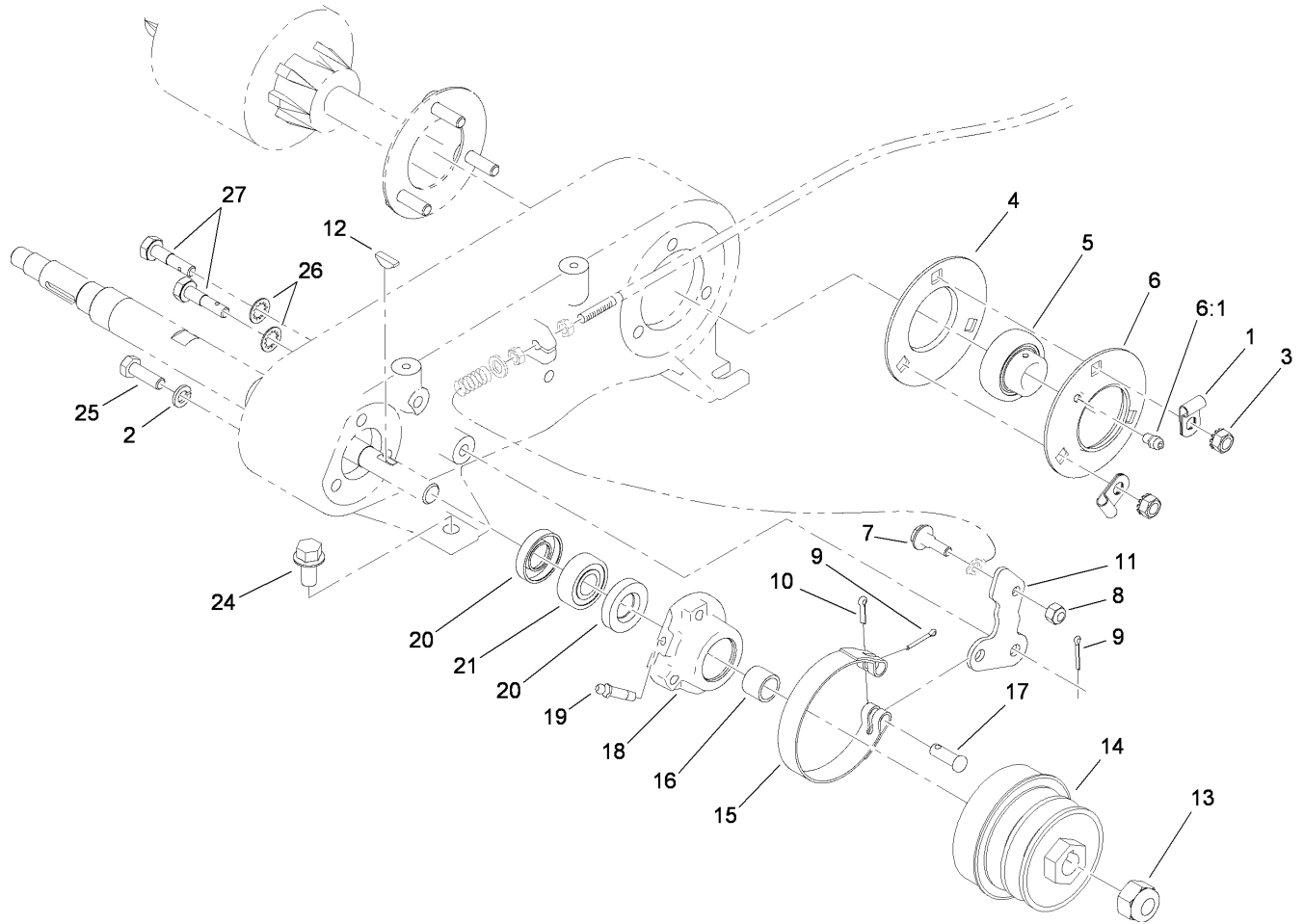
| Ref | Part No. | Qty. | Description |
|------|------------|------|------------------------------------|
| 25 | 65-8640 | 1 | Housing-Bearing |
| 26 | 65-8720 | 2 | Closure-Plate, Side |
| 27 | 65-8730 | 4 | Clamp-Bearing |
| 28 | 253-96 | 1 | Seal-Oil |
| 29 | 3296-39 | 2 | Nut-Lock, NI |
| 30 | 323-7 | 2 | Screw-HH |
| 31 | 88-7680-01 | 1 | Cover-Belt Drum, LH |
| 32 | 88-7810 | 2 | Seal-Strip, Drum Cover |
| 33 | 321-11 | 8 | Screw-HH |
| 34 | 3254-8 | 8 | Washer-Lock |
| 35 | 88-7850 | 2 | Idler Pulley ASM |
| 35:1 | 88-7180 | 1 | Pulley-Idler |
| 35:2 | 38-7820 | 1 | Bearing-Ball |
| 35:3 | 88-7190 | 1 | Spacer |
| 35:4 | 32120-42 | 1 | Ring-Retaining |
| 35:5 | 88-7200 | 1 | Washer-Flat |
| 35:6 | 3234-14 | 1 | Screw-HHF |
| 36 | 105-5364 | 1 | Pulley-Drum, RH |
| 37 | 108-9416 | 1 | Housing-Support, Differential (RH) |
| 38 | 88-7690-01 | 1 | Cover-Drum, Belt (RH) |
| 39 | 104-1843 | 2 | Fitting-Grease, 90 DEG |
| 40 | 88-7580 | 1 | Shaft-Wheel, Transport (LH) |
| 41 | 88-7590 | 1 | Shaft-Wheel, Transport (RH) |
| 42 | 302-11 | 1 | Fitting-Lube, 45 DEG |



Inner Countershaft Assembly

| Ref | Part No. | Qty. | Description |
|------|------------|------|------------------------|
| 1 | 2412-139 | 1 | Clamp-Hose |
| 2 | 65-6800 | 1 | Boot-Differential |
| 3 | 2412-140 | 1 | Clamp-Hose |
| 4 | 321-2 | 3 | Screw-HH |
| 5 | 3253-3 | 5 | Washer-Lock |
| 6 | 88-7250-03 | 1 | Cover-Box, Rear |
| 7 | 88-7240-03 | 1 | Cover-Box, Front |
| 8 | 65-6902 | 1 | Strip-Seal, Cover |
| 9 | 65-6903 | 1 | Strip-Seal, Cover |
| 10 | 65-6901 | 1 | Strip-Seal, Cover |
| 11 | 65-6720 | 1 | Plate-Screw |
| 12 | 321-3 | 2 | Screw-HH |
| 13 | 3256-22 | 2 | Washer-Flat |
| 14 | 93-1448 | 1 | Bracket Cover ASM |
| 15 | 88-7230 | 1 | Housing-Shaft, Counter |
| 16 | 322-5 | 1 | Screw-HH |
| 17 | 3254-2 | 1 | Washer-Lock, Internal |
| 18 | 88-7870 | 1 | Idler Pulley ASM |
| 18:2 | 38-7820 | 2 | Bearing-Ball |
| 18:3 | 88-7380 | 1 | Spacer-Pulley |
| 18:4 | 32120-42 | 1 | Ring-Retaining |
| 18:5 | 88-7200 | 1 | Washer-Flat |
| 18:6 | 3234-14 | 1 | Screw-HHF |
| 19 | 86-7140 | 1 | Spacer |

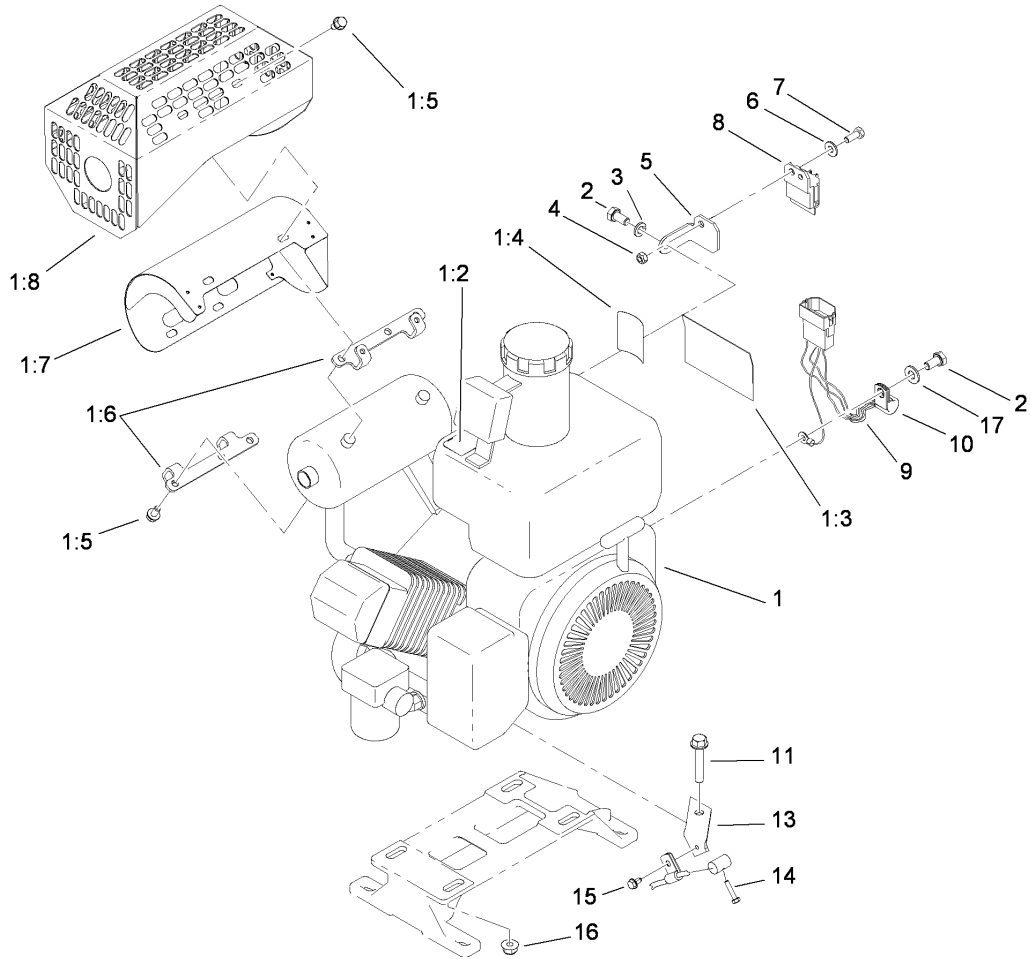
| Ref | Part No. | Qty. | Description |
|-----|----------|------|---------------------|
| 20 | 65-6850 | 1 | Key-Square |
| 21 | 65-8910 | 1 | Pulley-Countershaft |
| 22 | 65-9080 | 1 | Belt |
| 23 | 88-7710 | 1 | Seal-V-Ring |



Outer Crankshaft Assembly

| Ref | Part No. | Qty. | Description |
|-----|----------|------|------------------------|
| 1 | 88-7970 | 2 | Clip |
| 2 | 3253-4 | 3 | Washer-Lock |
| 3 | 32149-1 | 3 | Nut-Keps |
| 4 | 65-6710 | 1 | Flangette-Bearing |
| 5 | 108-7663 | 1 | Bearing-Race, Extended |
| 6 | 65-6700 | 1 | Flangette-Lube |
| 6:1 | 302-55 | 1 | Fitting-Grease |
| 7 | 11-9030 | 1 | Screw-Shoulder |
| 8 | 3296-42 | 1 | Nut-Lock, NI |
| 9 | 3272-6 | 2 | Pin-Cotter |
| 10 | 3272-8 | 1 | Pin-Cotter |
| 11 | 65-8610 | 1 | Lever-Brake |
| 12 | 3257-30 | 1 | Key-Woodruff |
| 13 | 3296-63 | 1 | Nut-Lock NI |
| 14 | 92-9212 | 1 | Pulley-Shaft, Input |
| 15 | 65-8700 | 1 | Band-Brake |
| 16 | 86-7130 | 1 | Spacer-Pulley |
| 17 | 283-75 | 1 | Pin-Clevis |
| 18 | 65-6760 | 1 | Housing-Bearing |
| 19 | 302-64 | 1 | Fitting-Grease |
| 20 | 253-160 | 2 | Seal-Grease |
| 21 | 251-338 | 1 | Bearing-Ball |
| 24 | 3234-1 | 4 | Screw-HHF |
| 25 | 322-5 | 3 | Screw-HH |

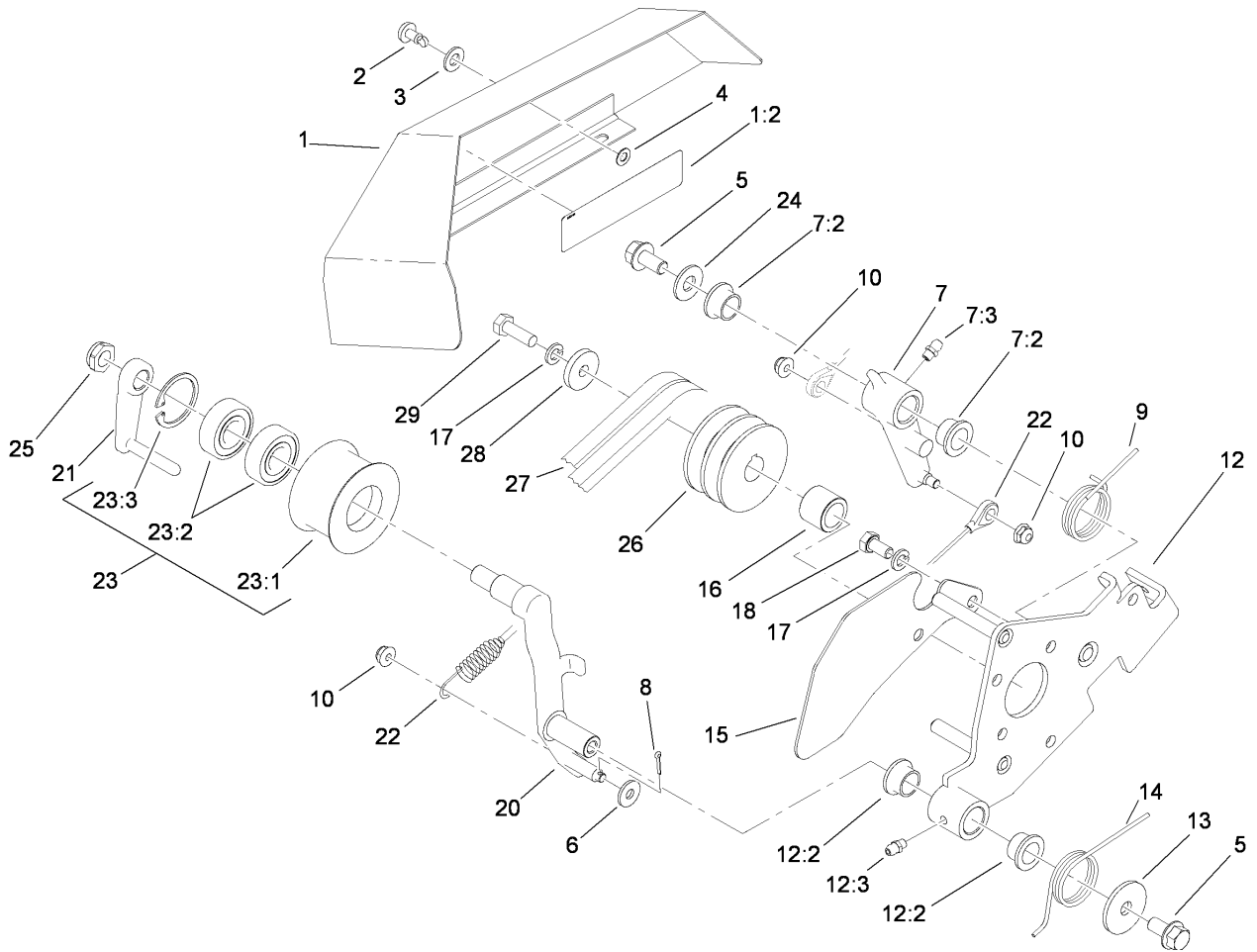
| Ref | Part No. | Qty. | Description |
|-----|----------|------|-----------------------|
| 26 | 3254-6 | 2 | Washer-Lock, Internal |
| 27 | 65-6810 | 2 | Support-Brake |



Engine Assembly

| Ref | Part No. | Qty. | Description |
|-----|-------------|------|-------------------------|
| 1 | 112-9402 | 1 | Engine ASM |
| 1:2 | 115-1615 | 1 | Decal-Surface, Hot |
| 1:3 | 115-1613 | 1 | Decal-Danger |
| 1:4 | 93-9886 | 1 | Decal-Fuel |
| 1:5 | 104-2628 | 8 | Screw-HWH |
| 1:6 | 104-9771 | 2 | Bracket-Guard, Muffler |
| 1:7 | 112-9360 | 1 | Shield-Muffler, Inner |
| 1:8 | 112-9361-03 | 1 | Guard-Muffler |
| 2 | 33114-016 | 2 | Screw-HH |
| 3 | 3253-4 | 1 | Washer-Lock |
| 4 | 33023-00 | 1 | Nut-Lock |
| 5 | 94-5861 | 1 | Bracket-Module |
| 6 | 3256-22 | 1 | Washer-Flat |
| 7 | 33113-016 | 1 | Screw-HH |
| 8 | 1-323430 | 1 | Module-Interlock |
| 9 | 112-9410 | 1 | Harness-Wire |
| 10 | 2412-93 | 1 | Clamp-R |
| 11 | 94-5780 | 4 | Screw-HWH |
| 13 | 88-7960 | 1 | Bracket-Cable, Throttle |
| 14 | 94-9015 | 1 | Screw-HH |
| 15 | 104-2065 | 1 | Screw-HWH |
| 16 | 104-8300 | 4 | Nut-Flange, NI |
| 17 | 33094-00 | 1 | Washer-Plain |

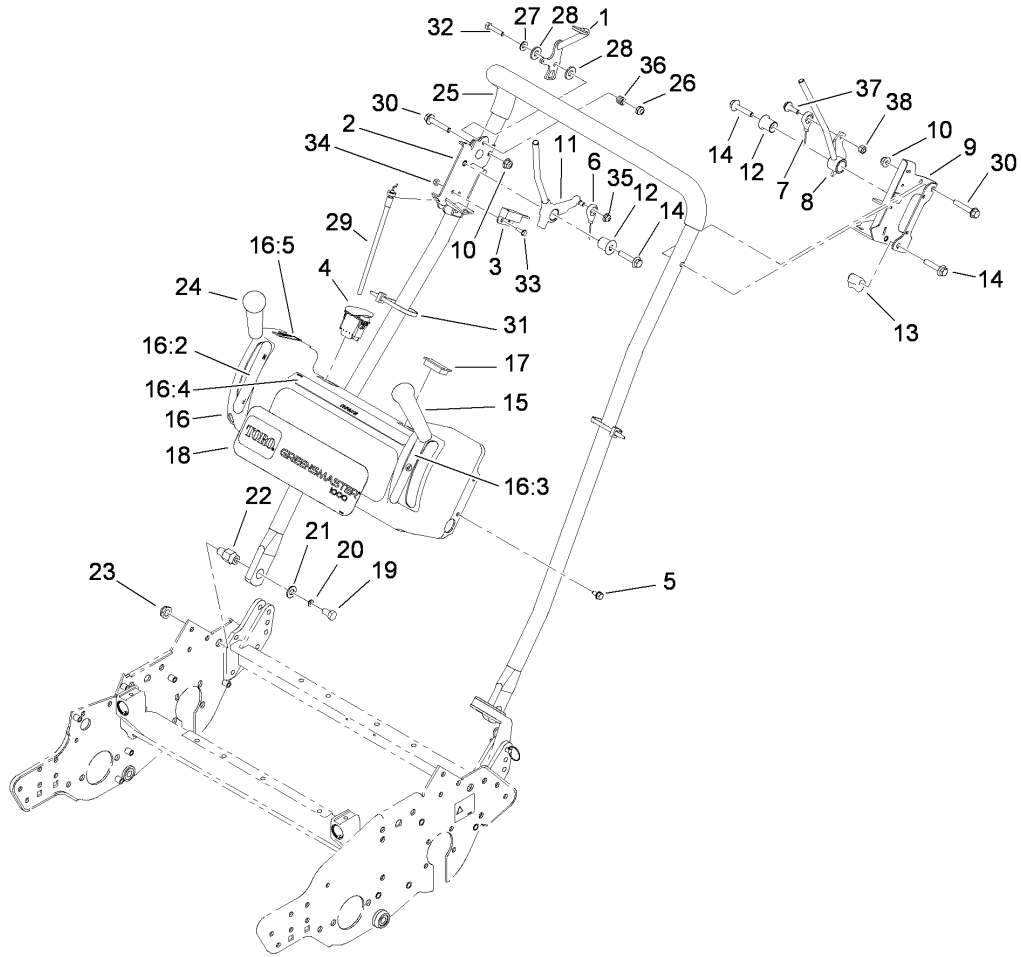
| | | | |
|--|--|--|--|
| | | | |
|--|--|--|--|



Bellcrank Assembly

| Ref | Part No. | Qty. | Description |
|------|------------|------|-----------------------------|
| 1 | 94-9007 | 1 | Bellcrank Cover ASM |
| 1:2 | 84-7280 | 1 | Decal-Danger, Japan |
| 1:2 | 93-7273 | 1 | Decal-Danger |
| 2 | 93-6074 | 1 | Stud |
| 3 | 3256-70 | 1 | Washer-Flat |
| 4 | 93-6073 | 1 | Washer-Nylon |
| 5 | 110-1718 | 2 | Screw-HHF |
| 6 | 3256-78 | 1 | Washer-Flat |
| 7 | 112-9388 | 1 | Traction Lever ASM |
| 7:2 | 65-8770 | 2 | Bushing-Bellcrank |
| 7:3 | 302-5 | 1 | Fitting-Grease |
| 8 | 3272-5 | 1 | Pin-Cotter |
| 9 | 93-6011 | 1 | Spring-Torsion |
| 10 | 104-7201 | 3 | Nut-HF |
| 12 | 112-9398 | 1 | Clutch Bracket ASM |
| 12:2 | 65-8770 | 2 | Bushing-Bellcrank |
| 12:3 | 302-5 | 1 | Fitting-Grease |
| 13 | 93-6099 | 1 | Washer |
| 14 | 93-6012 | 1 | Spring-Torque, Clutch Lever |
| 15 | 93-6013-03 | 1 | Shield-Belt |
| 16 | 65-8260 | 1 | Spacer-Shaft, Engine |
| 17 | 3253-4 | 6 | Washer-Lock |
| 18 | 33114-016 | 5 | Screw-HH |
| 20 | 112-9392 | 1 | Lever-Clutch |

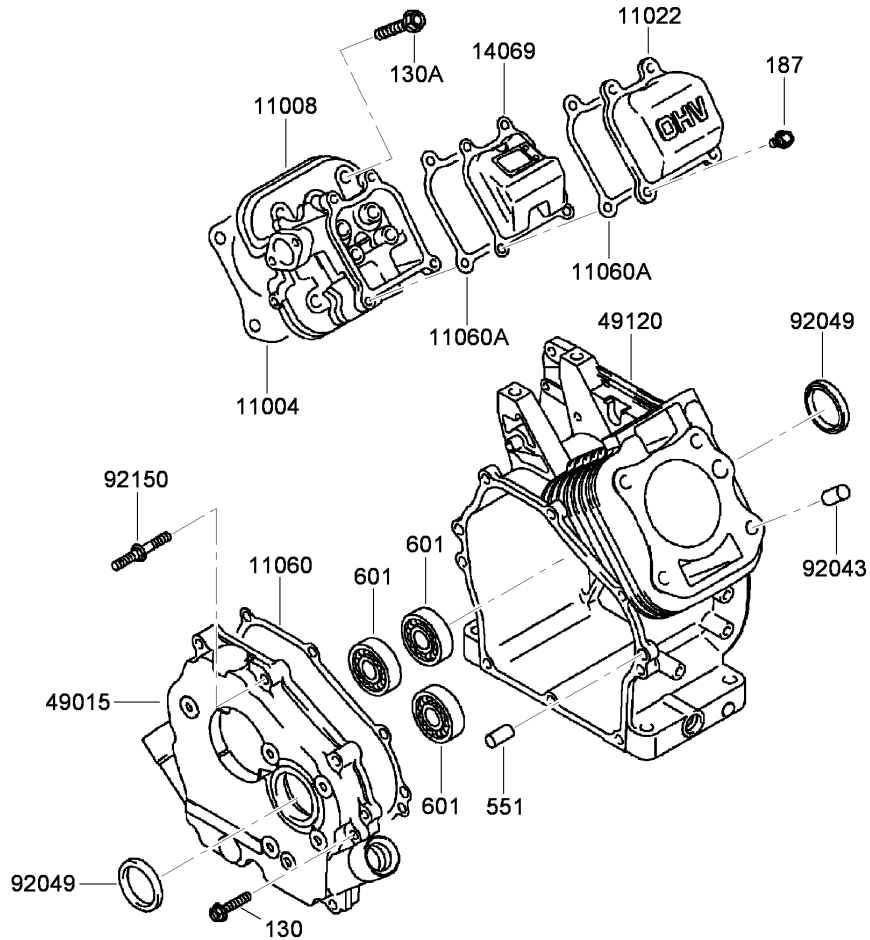
| Ref | Part No. | Qty. | Description |
|------|-----------|------|----------------------|
| 21 | 112-9390 | 1 | Guide-Belt |
| 22 | 93-9024 | 1 | Cable Link ASM |
| 23 | 112-9385 | 1 | Idler Pulley ASM |
| 23:1 | 98-7297 | 1 | Pulley-Idler |
| 23:2 | 38-7820 | 2 | Bearing-Ball |
| 23:3 | 32120-42 | 1 | Ring-Retaining |
| 24 | 3256-4 | 1 | Washer-Flat |
| 25 | 3296-45 | 1 | Nut-Lock, NI |
| 26 | 92-9216 | 1 | Pulley-Drive, Input |
| 27 | 92-9218 | 1 | V-Belt (Matched Set) |
| 28 | 65-8270 | 1 | Washer |
| 29 | 33114-025 | 1 | Screw-HH |



Handle Assembly

| Ref | Part No. | Qty. | Description |
|------|-------------|------|-----------------------|
| 1 | 115-1098 | 1 | Throttle Lever ASM |
| 2 | 115-1069-03 | 1 | Control Bracket ASM |
| 3 | 100-1270 | 1 | Switch-Proximity |
| 4 | 112-9420 | 1 | Switch-Engine |
| 5 | 104-2628 | 4 | Screw-HWH |
| 6 | 94-5870 | 1 | Cable Clutch ASM |
| 7 | 94-5871 | 1 | Cable Brake ASM |
| 8 | 115-1677 | 1 | Brake Lever ASM |
| 9 | 115-1068-03 | 1 | Brake Bracket ASM |
| 10 | 104-8300 | 2 | Nut-Flange, NI |
| 11 | 112-9321 | 1 | Lever-Traction |
| 12 | 112-9317 | 2 | Bushing-Flanged |
| 13 | 110-2415 | 2 | Clamp-Handle |
| 14 | 112-9318 | 4 | Screw-HHF W/Lock |
| 15 | 104-9774 | 1 | Knob-Red |
| 16 | 115-1120 | 1 | Console ASM |
| 16:2 | 115-1720 | 1 | Decal-Lever, Traction |
| 16:3 | 104-2618 | 1 | Decal-Lever, Brake |
| 16:4 | 115-1614 | 1 | Decal-Warning |
| 16:5 | 93-6085 | 1 | Decal-Throttle |
| 17 | 99-7420 | 1 | Plug-Hole |
| 18 | 115-1130 | 1 | Decal-Console |
| 19 | 323-34 | 2 | Screw-HH |
| 20 | 3253-21 | 2 | Washer-Lock |

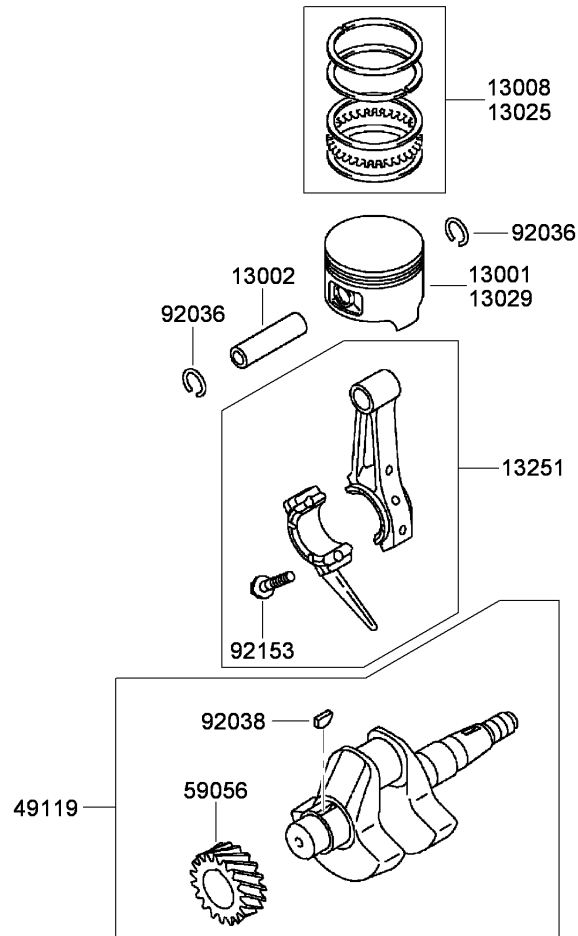
| Ref | Part No. | Qty. | Description |
|-----|----------|------|--------------------|
| 21 | 3256-24 | 2 | Washer-Flat |
| 22 | 110-7364 | 2 | Pin-Handle, Pivot |
| 23 | 3296-28 | 2 | Nut-Lock, NI |
| 24 | 104-9760 | 1 | Knob-Black |
| 25 | 112-9478 | 1 | Handle |
| 26 | 3296-56 | 1 | Nut-Lock, NI |
| 27 | 3256-22 | 1 | Washer-Flat |
| 28 | 66-2921 | 2 | Washer-Friction |
| 29 | 115-1713 | 1 | Cable-Throttle |
| 30 | 94-5780 | 2 | Screw-HWH |
| 31 | 3290-378 | 2 | Tie-Cable |
| 32 | 321-8 | 1 | Screw-HH |
| 33 | 32105-23 | 2 | Screw |
| 34 | 3296-2 | 2 | Nut-Lock |
| 35 | 104-7201 | 1 | Nut-HF |
| 36 | 3-5787 | 1 | Spring-Compression |
| 37 | 11-9030 | 1 | Screw-Shoulder |
| 38 | 3296-42 | 1 | Nut-Lock, NI |



Cylinder and Crankcase Assembly

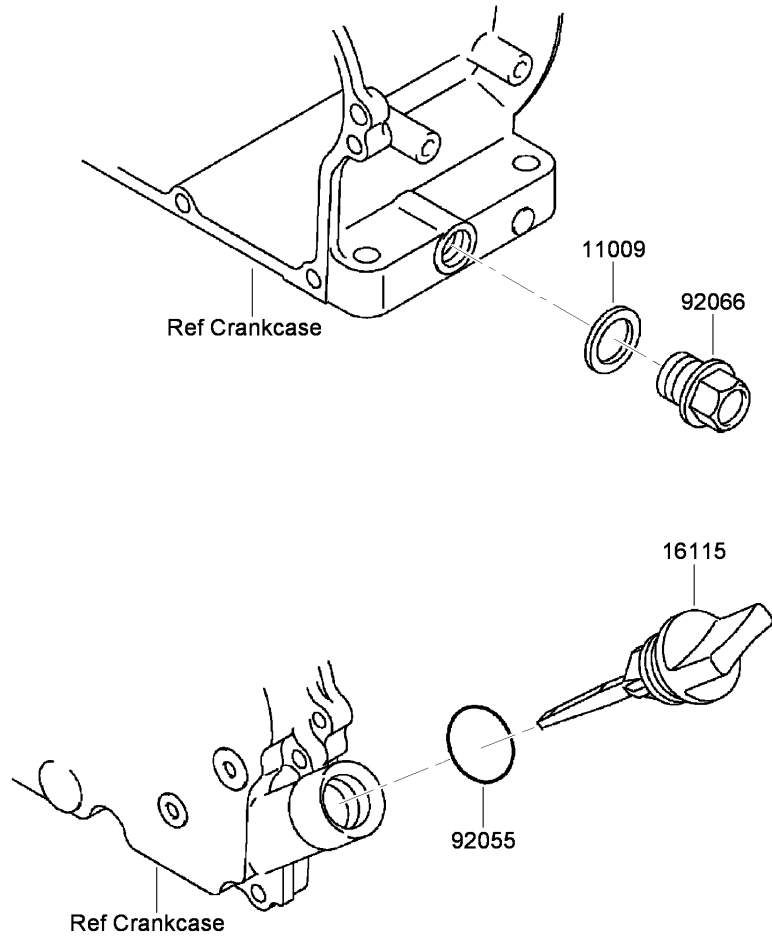
| Ref | Part No. | Qty. | Description |
|--------|----------|------|-------------------------|
| 130 | 108-2522 | 4 | Bolt-Flanged (6X30) |
| 130A | 115-1759 | 4 | Bolt-Flanged (8X45) |
| 187 | 115-1760 | 4 | Bolt-Upset, Wsp (6X16) |
| 551 | 93-8516 | 2 | Pin-Dowel (6X12) |
| 601 | 93-8517 | 3 | Bearing-Ball |
| 11004 | 93-8504 | 1 | Gasket-Head |
| 11008 | 115-1757 | 1 | Head-Cylinder |
| 11022 | 93-8508 | 1 | Case-Rocker |
| 11060 | 93-8525 | 1 | Gasket-Cover, Crankcase |
| 11060A | 93-8509 | 2 | Gasket-Case, Rocker |
| 14069 | 93-8510 | 1 | Breather |
| 49015 | 93-8520 | 1 | Cover-Crankcase |
| 49120 | 93-8515 | 1 | Crankcase |
| 92043 | 93-8512 | 2 | Pin |
| 92049 | 93-8511 | 2 | Seal-Oil |
| 92150 | 93-8524 | 1 | Stud |

| Ref | Part No. | Qty. | Description |
|-----|----------|------|-------------|
| | | | |
| | | | |
| | | | |
| | | | |
| | | | |



Piston and Crankshaft Assembly

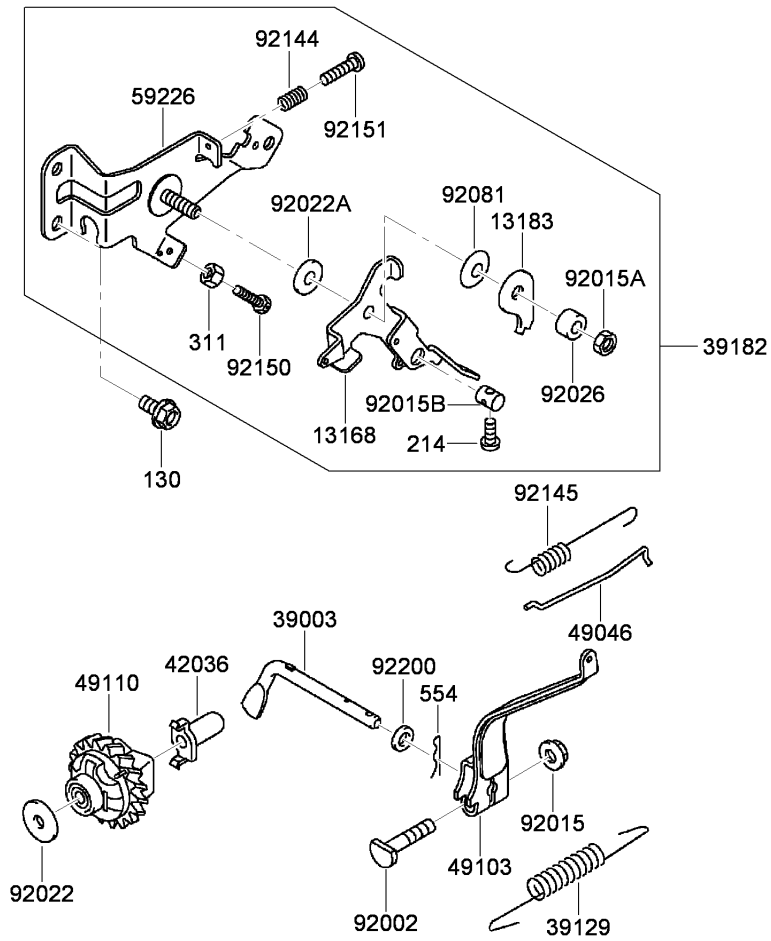
| Ref | Part No. | Qty. | Description | | | | |
|-------|----------|------|-------------------------|--|--|--|--|
| 13001 | 93-8502 | 1 | Piston | | | | |
| 13002 | 93-8501 | 1 | Pin-Piston | | | | |
| 13008 | 93-8503 | 1 | Set-Ring, Piston | | | | |
| 13025 | 94-6837 | 1 | Piston Ring Set (.05Mm) | | | | |
| 13029 | 94-6836 | 1 | Piston (0.5 O S) | | | | |
| 13251 | 93-8528 | 1 | Connecting Rod ASM | | | | |
| 49119 | 93-8518 | 1 | Crankshaft ASM | | | | |
| 59056 | 94-9043 | 1 | Gear-Helical | | | | |
| 92036 | 93-8500 | 2 | Ring-Retaining | | | | |
| 92038 | 93-8698 | 1 | Key | | | | |
| 92153 | 115-1805 | 2 | Bolt (6X30) | | | | |



Lubrication Equipment Assembly

| Ref | Part No. | Qty. | Description |
|-------|----------|------|--------------------------------|
| 11009 | 93-8514 | 2 | Gasket-Plug, Drain (14.2X19X2) |
| 16115 | 93-8523 | 2 | Cap-Filler, Oil |
| 92055 | 94-9041 | 2 | O-Ring (20Mm) |
| 92066 | 115-1761 | 2 | Plug (14X12) |

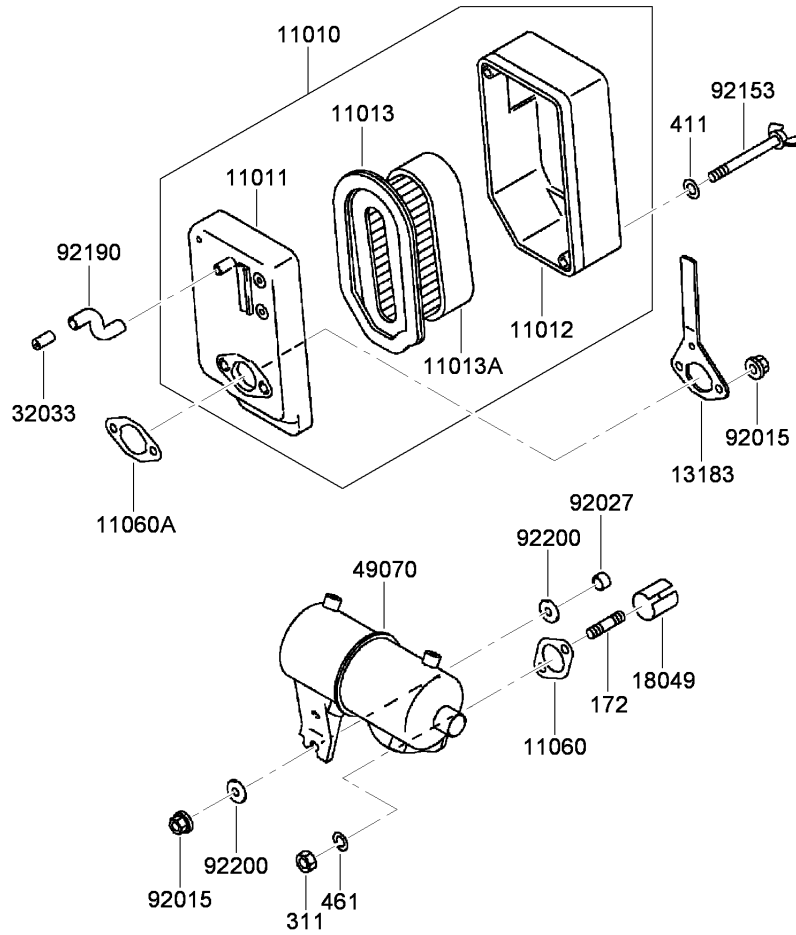
| | | | |
|--|--|--|--|
| | | | |
| | | | |
| | | | |
| | | | |
| | | | |
| | | | |
| | | | |
| | | | |
| | | | |
| | | | |
| | | | |



Control Equipment Assembly

| Ref | Part No. | Qty. | Description |
|--------|----------|------|---------------------|
| 130 | 115-1809 | 2 | Bolt-Flanged (6X12) |
| 214 | 115-1778 | 1 | Screw-Pan (4X14) |
| 311 | 115-6495 | 1 | Nut-Hex (4Mm) |
| 554 | 115-8671 | 1 | Pin-Snap (1.2X21.2) |
| 13168 | 93-8598 | 1 | Lever |
| 13183 | 93-8592 | 1 | Plate |
| 39003 | 93-8609 | 1 | Arm-Pivot |
| 39129 | 115-1803 | 1 | Spring-Governor |
| 39182 | 115-1754 | 1 | Control Panel ASM |
| 42036 | 108-2567 | 1 | Sleeve |
| 49046 | 115-1811 | 1 | Rod-Governor |
| 49103 | 93-8603 | 1 | Arm-Governor |
| 49110 | 115-1812 | 1 | Governor ASM |
| 59226 | 115-1773 | 1 | Panel-Control |
| 92002 | 93-8606 | 1 | Bolt (6X28) |
| 92015 | 93-8631 | 1 | Nut |
| 92015A | 93-8595 | 1 | Nut |
| 92015B | 93-8597 | 1 | Nut |
| 92022 | 94-6842 | 1 | Washer (6.2X20X0.5) |
| 92022A | 93-8590 | 1 | Washer |
| 92026 | 115-1776 | 1 | Spacer |
| 92081 | 115-1775 | 1 | Spring |
| 92144 | 93-8588 | 1 | Spring |
| 92145 | 115-1810 | 1 | Spring |

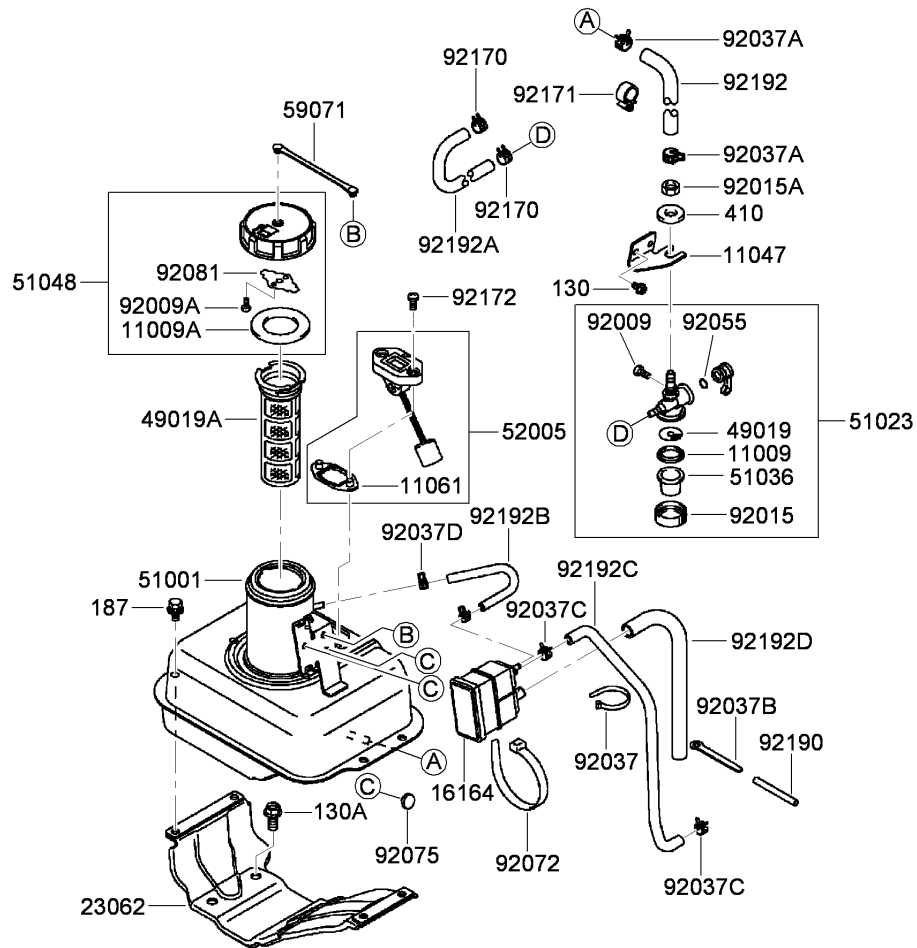
| Ref | Part No. | Qty. | Description |
|-------|----------|------|-----------------------|
| 92150 | 115-1813 | 1 | Bolt |
| 92151 | 115-1774 | 1 | Bolt (4X22) |
| 92200 | 93-8608 | 1 | Washer (6.5X11.5X2.0) |



Air Filter and Muffler Assembly

| Ref | Part No. | Qty. | Description |
|--------|----------|------|---------------------|
| 172 | 115-1819 | 2 | Bolt-Stud (6X16) |
| 311 | 93-8656 | 2 | Nut-Hex (6Mm) |
| 411 | 115-1802 | 2 | Washer-Plain |
| 461 | 115-1801 | 2 | Washer-Spring |
| 11010 | 115-1872 | 1 | Air Filter ASM |
| 11011 | 115-1873 | 1 | Case-Filter, Air |
| 11012 | 93-8638 | 1 | Cap-Filter, Air |
| 11013 | 93-8636 | 1 | Element-Filter, Air |
| 11013A | 93-8637 | 1 | Element-Filter, Air |
| 11060 | 93-8654 | 1 | Gasket-Muffler |
| 11060A | 93-8657 | 1 | Gasket-Filter, Air |
| 13183 | 93-8642 | 1 | Plate-Filter, Air |
| 18049 | 93-8652 | 1 | Pipe-Exhaust |
| 32033 | 93-8658 | 1 | Pipe |
| 49070 | 115-1874 | 1 | Muffler |
| 92015 | 93-8631 | 3 | Nut |
| 92027 | 93-8651 | 1 | Collar |
| 92153 | 93-8640 | 2 | Bolt |
| 92190 | 93-8659 | 1 | Tube |
| 92200 | 93-8650 | 2 | Washer (.5X18X2.0) |

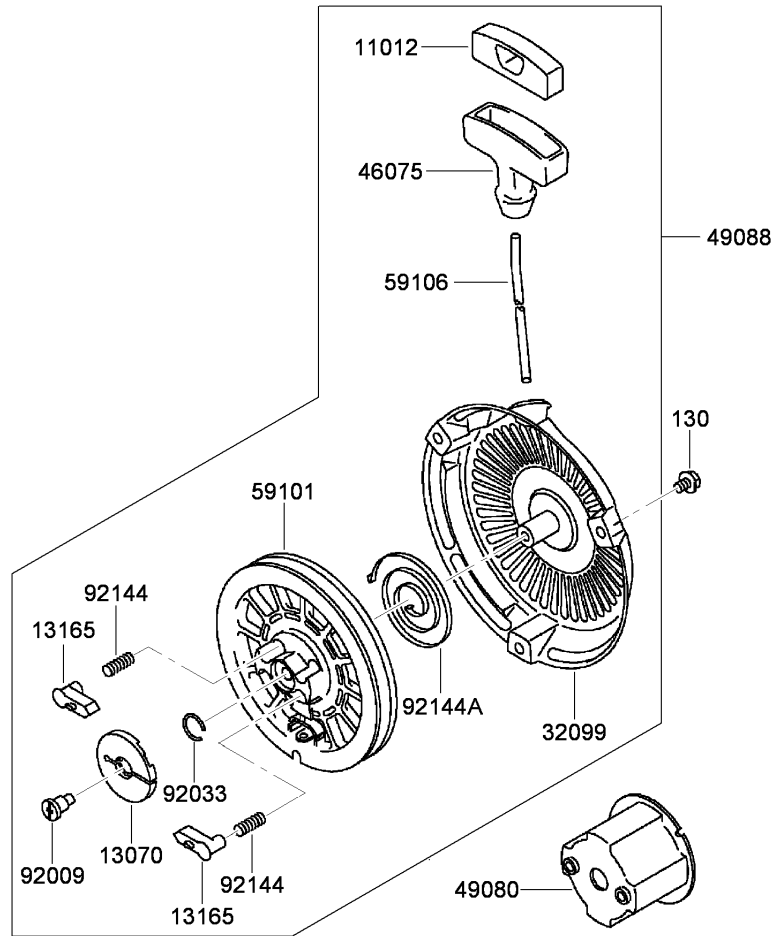
| | | | |
|--|--|--|--|
| | | | |
|--|--|--|--|



Fuel Tank and Fuel Valve Assembly

| Ref | Part No. | Qty. | Description |
|--------|----------|------|----------------------------|
| 130 | 115-1864 | 2 | Bolt-Flanged (5X8) |
| 130A | 115-1867 | 4 | Bolt-Flanged (8X18) |
| 187 | 115-1760 | 4 | Bolt-Upset, Wsp (6X16) |
| 410 | 115-1885 | 1 | Washer-Plain, Small (10Mm) |
| 11009 | 93-8673 | 1 | Gasket |
| 11009A | 93-8662 | 1 | Gasket |
| 11047 | 93-8681 | 1 | Bracket |
| 11061 | 104-2384 | 1 | Gasket-Gauge, Fuel |
| 16164 | 115-1859 | 1 | Canister |
| 23062 | 104-2383 | 1 | Bracket-Tank |
| 49019 | 94-6849 | 1 | Filter-Tapper, Fuel |
| 49019A | 94-6826 | 1 | Filter-Fuel |
| 51001 | 115-1858 | 1 | Fuel Tank ASM |
| 51023 | 93-8669 | 1 | Fuel Tapper ASM |
| 51036 | 93-8674 | 1 | Cup-Tapper, Fuel |
| 51048 | 115-1857 | 1 | Tank Cap ASM |
| 52005 | 93-8685 | 1 | Gauge-Fuel |
| 59071 | 115-1856 | 1 | Joint |
| 92009 | 93-8670 | 1 | Screw |
| 92009A | 93-8661 | 2 | Screw |
| 92015 | 93-8675 | 1 | Nut |
| 92015A | 94-9042 | 1 | Nut |
| 92037 | 115-1855 | 1 | Clamp |
| 92037A | 115-1861 | 2 | Clamp-Clip, Hose |

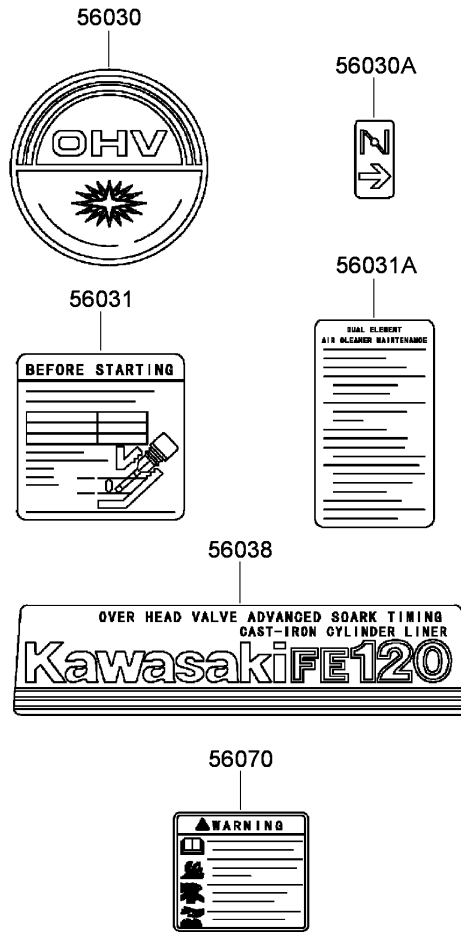
| Ref | Part No. | Qty. | Description |
|--------|----------|------|---------------------|
| 92037B | 115-1854 | 1 | Clamp |
| 92037C | 93-8664 | 2 | Clamp |
| 92037D | 93-8676 | 2 | Clamp |
| 92055 | 93-8671 | 1 | O-Ring |
| 92072 | 115-1853 | 1 | Band |
| 92075 | 115-1852 | 2 | Damper |
| 92081 | 93-8663 | 1 | Spring |
| 92170 | 115-1865 | 2 | Clamp |
| 92171 | 115-1862 | 1 | Clamp |
| 92172 | 115-1860 | 2 | Screw (5X12) |
| 92190 | 115-1851 | 1 | Tube |
| 92192 | 115-1863 | 1 | Tube (6.2X13.2X200) |
| 92192A | 115-1866 | 1 | Tube (4X11X160) |
| 92192B | 115-1889 | 1 | Tube |
| 92192C | 115-1890 | 1 | Tube |
| 92192D | 115-1891 | 1 | Tube |



Starter Assembly

| Ref | Part No. | Qty. | Description |
|--------|----------|------|----------------------|
| 130 | 115-1765 | 3 | Bolt-Flanged (6X8) |
| 11012 | 94-9044 | 1 | Cap-Grip |
| 13070 | 93-8562 | 1 | Guide-Pawl |
| 13165 | 93-8554 | 2 | Pawl-Starter, Recoil |
| 32099 | 94-9046 | 1 | Case-Starter, Recoil |
| 46075 | 94-9045 | 1 | Grip-Starter, Recoil |
| 49080 | 93-8567 | 1 | Pulley-Recoil |
| 49088 | 93-8552 | 1 | Recoil Starter ASM |
| 59101 | 93-8556 | 1 | Reel-Starter, Recoil |
| 59106 | 93-8560 | 1 | Rope (4X1500) |
| 92009 | 93-8553 | 1 | Screw |
| 92033 | 93-8561 | 1 | Ring-Retaining |
| 92144 | 93-8555 | 2 | Spring-Return |
| 92144A | 93-8557 | 1 | Spring |

| | | | |
|--|--|--|--|
| | | | |
|--|--|--|--|



Label Set

| Ref | Part No. | Qty. | Description |
|--------|----------|------|--------------------|
| 56030 | 94-9027 | 1 | Label-Recoil |
| 56030A | 93-8687 | 1 | Decal-Choke |
| 56031 | 93-8689 | 1 | Decal-Instructions |
| 56031A | 93-8690 | 1 | Decal-Maintenance |
| 56038 | 94-9028 | 1 | Label-Kawasaki |
| 56070 | 93-8692 | 1 | Decal-Warning |

Attachments and Accessories

For 04034 - Greensmaster 1000 Mower

| Product Name | Model/Part |
|---------------------------------------|-------------|
| Light Kit | 04061 |
| Dethatcher Kit | 04109 |
| Dethatcher Kit | 04111 |
| Out Front Brush Kit | 04119 |
| Wheel Kit | 04123 |
| Groomer Reel Kit | 04131 |
| Full Roller ASM (21 Inch) | 104-2642 |
| Hour Meter Kit | 105-5350 |
| Brush-Groomer | 105-9640 |
| Bedbar-Aggressive | 112-9279-03 |
| Operator Presence Kit | 112-9282 |
| Smooth Scraper Kit | 112-9285 |
| Scraper Brush Kit | 112-9286 |
| Comb Scraper Kit | 112-9287 |
| Wide Wiehle Scraper Kit | 112-9288 |
| Narrow Wiehle Scraper Kit | 112-9289 |
| 16-Tooth Traction Pulley Kit | 115-1886 |
| Swaged Roller ASM | 52-3590 |
| Auxiliary Roller Kit | 65-8560 |
| 25 Inch Clip Kit | 65-9000 |
| Wiehle Roller ASM (Cast Iron) | 71-1550 |
| Wiehle Roller ASM (.43 Inch Spacing) | 88-6790 |
| Bedknife-Microcut | 93-4262 |
| Bedknife-Low Cut | 93-4264 |
| 8 Blade Reel ASM | 93-6087 |
| Wiehle Roller ASM (2.5 Inch Diameter) | 93-9045 |
| Height-of-Cut Bar ASM | 94-9010 |
| Jet-Main, #62 High Altitude | 98-8735 |
| Jet-Main, #60 High Altitude | 98-8736 |

NOTES

NOTES

