



## 16-42Z TimeCutter™ Z Riding Mower

Model No. 74403 - 230000001 and up.

### Parts Catalog

---

#### Ordering Replacement Parts

To order replacement parts, please supply the part number, the quantity, and the description of each part desired.

#### Understanding Reference Numbers

Each identified part in an illustration has a reference number. The reference number for a part also appears in the parts list, along with other information about the part.

This catalog uses two special reference number formats, one to indicate parts in a service assembly and another to indicate the quantity of a given part in an illustration.

#### Service Assembly Reference Numbers

Parts in service assemblies have reference numbers in the form a:b. The a represents the reference number of the entire service assembly and the b represents a sequential number unique to each part within the service assembly.

For example, a wheel assembly might be identified by reference number 6, the tire by 6:1, the valve by 6:2, and the wheel by 6:3. When you order the assembly identified by reference number 6, you receive all parts identified by reference numbers 6:1, 6:2, and 6:3. However, you may also order any part individually. Reference numbers of this type appear in illustrations and in part lists.

#### Reference Numbers Indicating Quantity

In an illustration, if a reference number indicates more than one part, the reference number has the form nX y. The n represents the quantity of the part, the X is the multiplication symbol, and the y represents the reference number.

For example, in an illustration, the reference number 2X 37 means that two of the parts identified by reference number 37 are indicated.

# Contents

| Description  | Page | Description  | Page |
|--|------|--|------|
| Frame Assembly                                       | 3    | Cylinder Assembly Briggs and Stratton<br>286H77-0165-E1                  | 19   |
| Control Assembly                                     | 5    | Cylinder Head Assembly Briggs and Stratton<br>286H77-0165-E1             | 20   |
| Hydro and Belt Drive Assembly                        | 6    | Crankshaft Assembly Briggs and Stratton<br>286H77-0165-E1                | 21   |
| Engine Assembly                                      | 7    | Crankcase Assembly Briggs and Stratton<br>286H77-0165-E1                 | 22   |
| 42in Deck Spindle and Belt Drive Assembly            | 9    | Oil Filter, Tube and Pump Assembly Briggs<br>and Stratton 286H77-0165-E1 | 23   |
| 42in Deck Assembly                                   | 10   | Carburetor Assembly Briggs and Stratton<br>286H77-0165-E1                | 24   |
| Electrical Assembly                                  | 12   | Governor Assembly Briggs and Stratton<br>286H77-0165-E1                  | 25   |
| Housing Assembly RH Hydrostat No. 105-3491           | 13   | Blower Housing Assembly Briggs and Stratton<br>286H77-0165-E1            | 26   |
| Cylinder Block Assembly RH Hydrostat No.<br>105-3491 | 14   | Starter Assembly Briggs and Stratton 286H77-<br>0165-E1                  | 27   |
| Fan and Pulley Assembly RH Hydrostat No.<br>105-3491 | 15   | Gasket Assembly Briggs and Stratton 286H77-<br>0165-E1                   | 28   |
| Housing Assembly LH Hydrostat No. 105-3492           | 16   | Carburetor Overhaul Kit Assembly Briggs and<br>Stratton 286H77-0165-E1   | 29   |
| Cylinder Block Assembly LH Hydrostat No.<br>105-3492 | 17   |  |      |
| Fan and Pulley Assembly LH Hydrostat No.<br>105-3492 | 18   |  |      |

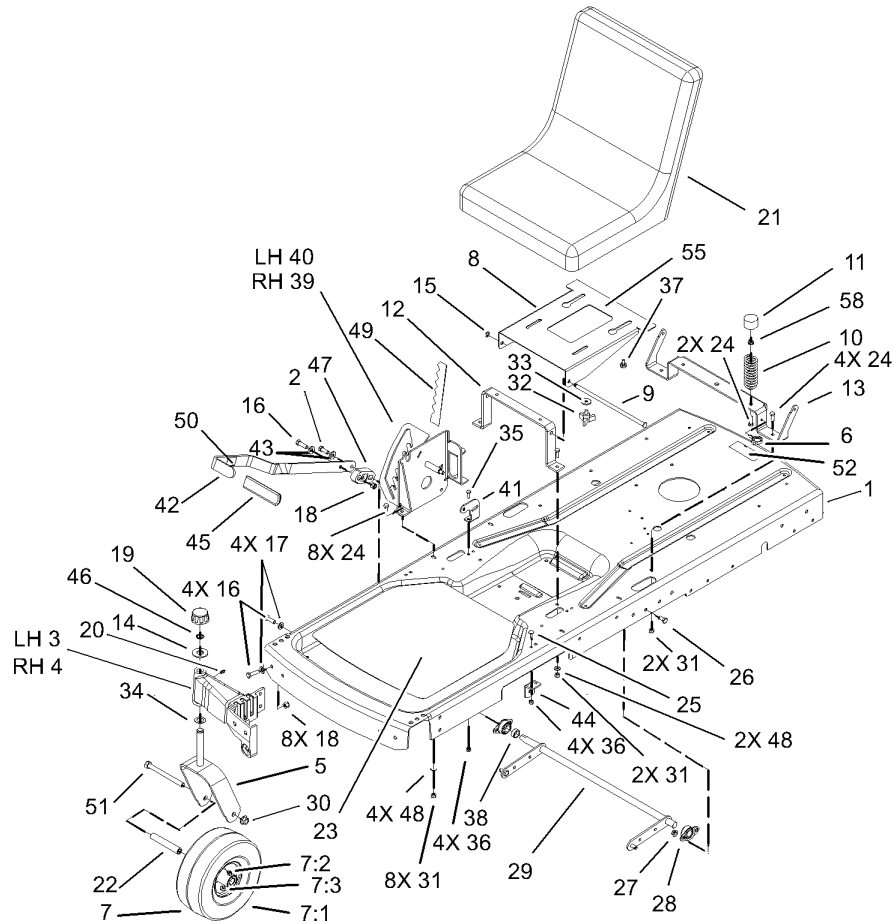
## Part Description Abbreviations

Part descriptions in this catalog may include the following abbreviations.

|   |   |
|---|---|
| AR. .... as required                          | HYD. .... hydraulic                             |
| ASM. .... assembly                            | LH. .... left hand                              |
| BBC. .... blade brake clutch                  | NI. .... nylon insert                           |
| CARR. .... carriage                           | NPTF. .... national pipe thread fine            |
| DEG. .... degrees                             | PFH. .... phillips flat head                    |
| EXT. .... external                            | PPH. .... phillips pan head                     |
| FH. .... flat head                            | PPHTF. .... phillips pan head thread<br>forming |
| GA. .... gauge                                | PRH. .... phillips round head                   |
| HD. .... heavy-duty                           | PTH. .... phillips truss head                   |
| HF. .... hex flange                           | PTO. .... power-take-off                        |
| HH. .... hex head                             | RH. .... right hand                             |
| HHF. .... hex head flange                     | ROPS. .... roll-over protection system          |
| HHFTF. .... hex head flange thread forming    | SFH. .... slotted fillister head                |
| HJ. .... hex jam                              | SHH. .... slotted hex head                      |
| HLH. .... hex lag head                        | SHWH. .... slotted hex washer head              |
| HOC. .... height-of-cut                       | SPH. .... slotted pan head                      |
| HSBH. .... hex socket button head             | SQH. .... square head                           |
| HSFH. .... hex socket flat head               | SRH. .... slotted round head                    |
| HSH. .... hex socket head                     | STD. .... standard                              |
| HWH. .... hex washer head                     | TAP. .... self tapping                          |
| HWHTF. .... hex washer head thread<br>forming | TTH. .... torx truss head                       |

## Footnotes

- |   |   |
|---|---|
| ❶ Not illustrated                                 | ❷ Not serviced separately                     |
| ❸ Included in Engine Gasket Set-Ref. 358.         | ❹ Included in Valve Gasket Set-Ref. 1095.     |
| ❺ Included in Carburetor Overhaul Kit-Ref. 121.   | ❻ Included in Carburetor Gasket Set-Ref. 977. |
| ❼ Obtain from your local Briggs & Stratton dealer |   |

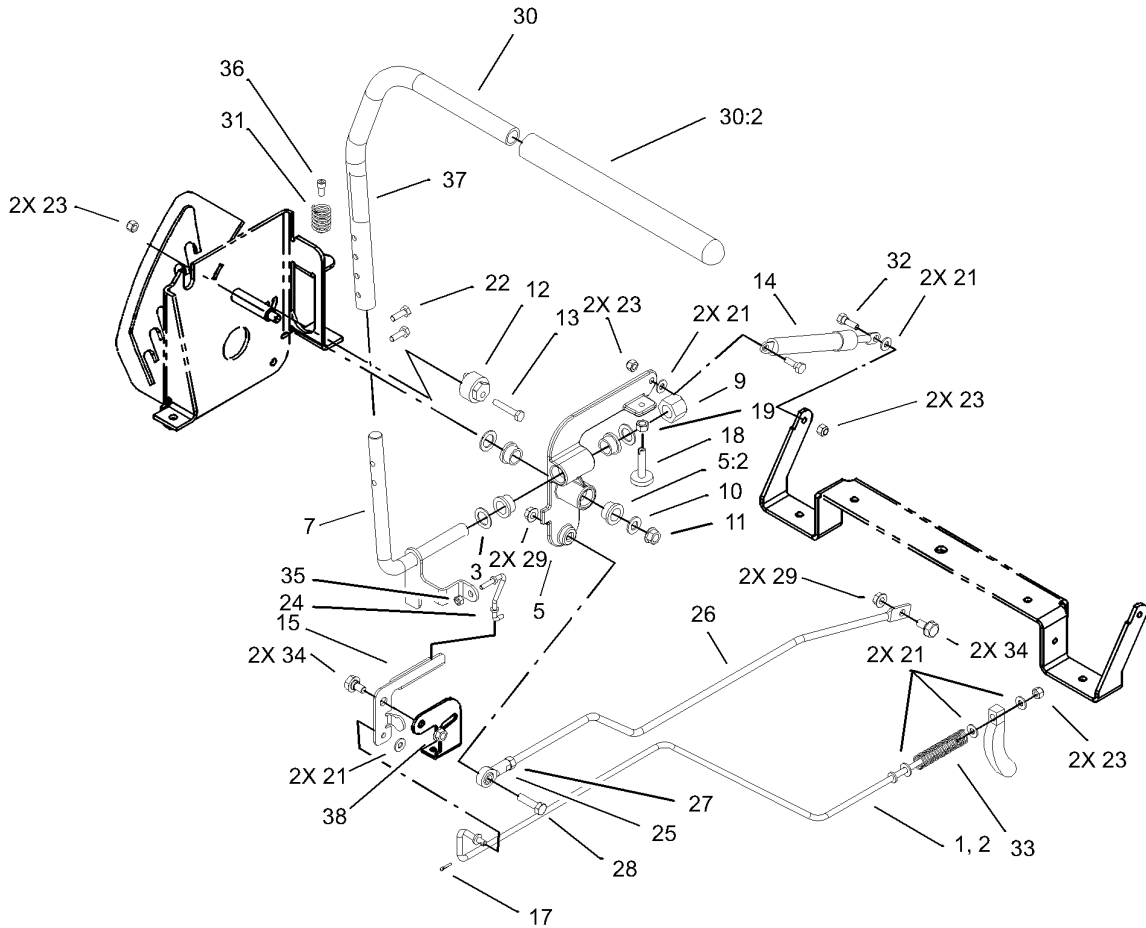


## Frame Assembly

| Ref | Part No.    | Qty. | Description              |
|-----|-------------|------|--------------------------|
| 1   | 105-3489-01 | 1    | Frame                    |
| 2   | 323-6       | 1    | Screw-HH                 |
| 3   | 105-6986-01 | 1    | Caster-LH                |
| 4   | 105-6985-01 | 1    | Castor-RH                |
| 5   | 106-2196-01 | 2    | Caster Fork ASM          |
| 6   | 105-1853    | 1    | Clamp-Hose               |
| 7   | 105-3471    | 2    | Front Wheel And Tire ASM |
| 7:1 | 105-1943    | 1    | Tire                     |
| 7:2 | 302-11      | 1    | Fitting-Lube, 45 DEG     |
| 7:3 | 232-27      | 1    | Stem-Valve               |
| ①   | 93-4244     | 1    | Tube-Inner (W/Valve)     |
| 8   | 105-6953-03 | 1    | Bracket-Seat             |
| 9   | 105-6955    | 1    | Pin-Pivot                |
| 10  | 92-7054     | 2    | Spring-Compression       |
| 11  | 701178      | 2    | Cap-Protector            |
| 12  | 105-6954-03 | 1    | Brace-Seat, Front        |
| 13  | 106-2210-03 | 1    | Brace-Seat, Rear         |
| 14  | 28-2480     | 2    | Washer                   |
| 15  | 105-7004    | 1    | E-Ring                   |
| 16  | 323-7       | 9    | Screw-HH                 |
| 17  | 3256-24     | 8    | Washer-Flat              |
| 18  | 3296-39     | 9    | Nut-Lock, NI             |
| 19  | 61-9780     | 2    | Cap-Hub                  |
| 20  | 302-5       | 2    | Fitting-Grease           |

| Ref | Part No.    | Qty. | Description          |
|-----|-------------|------|----------------------|
| 21  | 105-6962    | 1    | Seat                 |
| 22  | 104-3667    | 2    | Spanner-Wheel        |
| 23  | 105-3460    | 1    | Pad-Antiskid         |
| 24  | 322-4       | 14   | Screw-HH             |
| 25  | 3229-1      | 4    | Screw-CARR           |
| 26  | 323-4       | 4    | Screw-HH             |
| 27  | 3290-357    | 4    | Nut-HHF, Whiz        |
| 28  | 1-633102    | 2    | Bearing-Flange, Side |
| 29  | 105-3499-03 | 1    | Lift Arm ASM         |
| 30  | 32128-23    | 2    | Nut-HF               |
| 31  | 3296-29     | 12   | Nut-Lock, NI         |
| 32  | 92-9674     | 2    | Knob                 |
| 33  | 5-4460      | 2    | Washer-Pivot         |
| 34  | 3-6498      | 2    | Washer-Thrust        |
| 35  | 321-4       | 4    | Screw-HH             |
| 36  | 3296-42     | 8    | Nut-Lock, NI         |
| 37  | 37-8770     | 2    | Bolt-Shoulder        |
| 38  | 106-2222    | 1    | Spacer               |
| 39  | 106-2158-03 | 1    | RH Plate ASM         |
| 40  | 106-2159-03 | 1    | LH Plate ASM         |
| 41  | 106-2180    | 2    | Bracket-Bellcrank    |
| 42  | 105-3435-03 | 1    | Lever-Lift           |
| 43  | 98-5975     | 2    | Washer-Belleville    |
| 44  | 105-3439    | 2    | Bracket-Lift         |



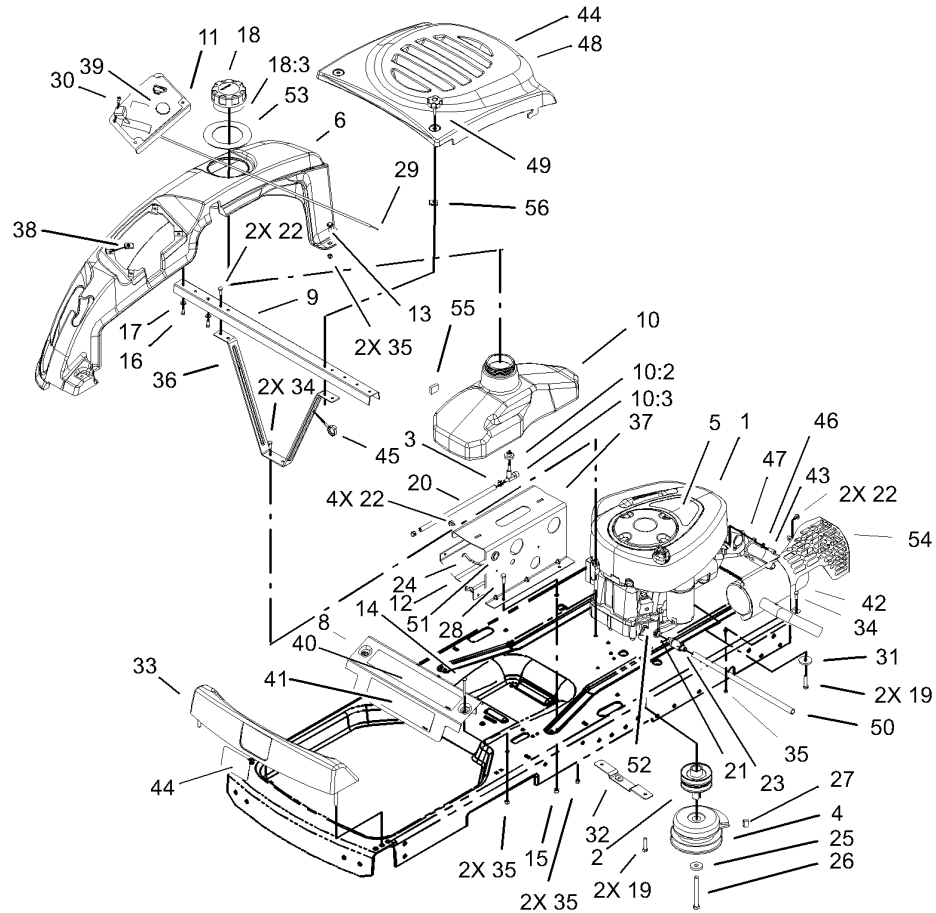


### Control Assembly

| Ref | Part No. | Qty. | Description                   |
|-----|----------|------|-------------------------------|
| 1   | 105-7045 | 1    | Rod-Brake, LH                 |
| 2   | 105-7044 | 1    | Rod-Brake, RH                 |
| 3   | 105-3481 | 6    | Washer-Thrust                 |
| 5   | 106-8671 | 1    | RH Actuator Arm W/Bushing ASM |
| 5:2 | 105-3455 | 4    | Bushing                       |
| 6   | 106-8672 | 1    | LH Actuator Arm W/Bushing ASM |
| 6:2 | 105-3455 | 4    | Bushing                       |
| 7   | 105-3488 | 1    | LH Pivot Shaft ASM            |
| 8   | 105-3487 | 1    | RH Pivot Shaft ASM            |
| 9   | 3296-53  | 2    | Nut-Lock, NI                  |
| 10  | 3256-24  | 2    | Washer-Flat                   |
| 11  | 32128-21 | 2    | Nut-HF                        |
| 12  | 105-3485 | 2    | Bushing-Eccentric             |
| 13  | 321-9    | 2    | Screw-HH                      |
| 14  | 103-2913 | 2    | Damper-Control, Motion        |
| 15  | 106-2181 | 2    | Bellcrank                     |
| 17  | 3272-5   | 2    | Pin-Cotter                    |
| 18  | 105-3486 | 2    | Stop-Adjustment               |
| 19  | 3217-6   | 2    | Nut-Hex                       |
| 21  | 3256-22  | 12   | Washer-Flat                   |
| 22  | 321-4    | 4    | Screw-HH                      |
| 23  | 3296-42  | 8    | Nut-Lock, NI                  |
| 24  | 106-2179 | 2    | Link-Brake                    |
| 25  | 1-543017 | 2    | Balljoint-RH                  |

| Ref  | Part No. | Qty. | Description          |
|------|----------|------|----------------------|
| 26   | 105-7048 | 2    | Rod-Hydro            |
| 27   | 3219-2   | 2    | Nut-Hex              |
| 28   | 322-6    | 2    | Screw-HH             |
| 29   | 32128-20 | 4    | Nut-HF               |
| 30   | 106-2242 | 2    | Handle ASM           |
| 30:2 | 1-633257 | 1    | Grip-Control, Motion |
| 31   | 105-3469 | 2    | Spring-Compression   |
| 32   | 106-2214 | 4    | Bolt-Shoulder        |
| 33   | 105-3465 | 2    | Spring-Compression   |
| 34   | 37-8771  | 4    | Bolt-Shoulder        |
| 35   | 3296-2   | 2    | Nut-Lock             |
| 36   | 3274-52  | 2    | Screw-HSH            |
| 37   | 106-8742 | 2    | Decal                |
| 38   | 32128-25 | 2    | Nut-HF               |



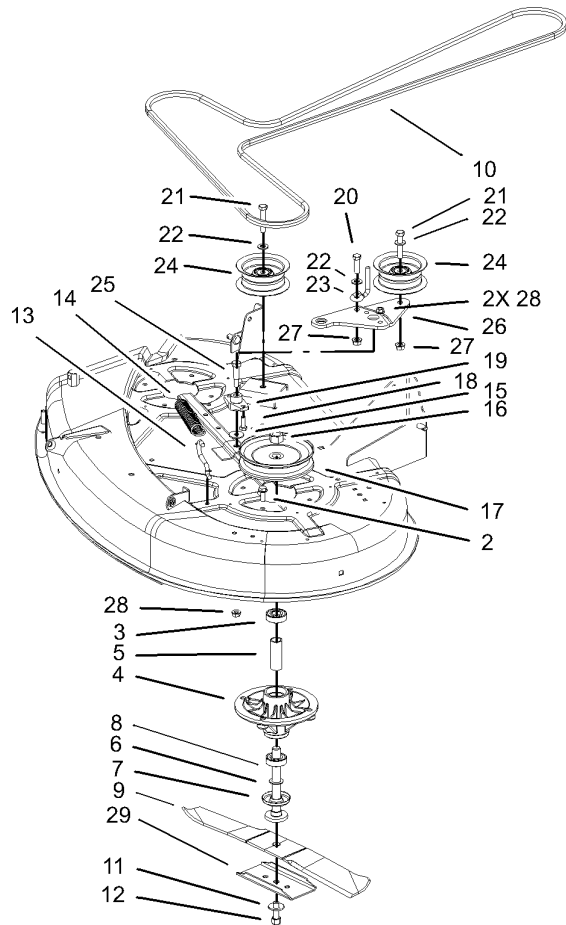


## Engine Assembly

| Ref  | Part No.    | Qty. | Description                                |
|------|-------------|------|--|
| 1    |             | 1    | Engine-Briggs And Stratton, 286H77-0165-E1 |
| 2    | 105-3472    | 1    | Pulley-Engine                              |
| 3    | 2412-98     | 2    | Clamp                                      |
| 4    | 104-3334    | 1    | Clutch-Electric                            |
| 5    | 106-6409    | 1    | Decal-Engine                               |
| 6    | 106-2161    | 1    | Cover-Side, RH                             |
| 7    | 106-2162    | 1    | Cover-Side, LH                             |
| 8    | 106-2164-03 | 1    | Bracket-Support, Front                     |
| 9    | 106-2165-03 | 1    | Bracket-Support, Rear                      |
| 10   | 105-3464    | 1    | Gas Tank ASM                               |
| 10:2 | 46-6560     | 1    | Bushing                                    |
| 10:3 | 104048      | 1    | Valve-Fuel                                 |
| 11   | 106-2167-03 | 1    | Panel-Control                              |
| 12   | 105-3453-03 | 1    | Plate-Support                              |
| 13   | 11-9030     | 2    | Screw-Shoulder                             |
| 14   | 3229-7      | 2    | Screw-CARR                                 |
| 15   | 3296-29     | 2    | Nut-Lock, NI                               |
| 16   | 46-8090     | 4    | Screw-Plastite                             |
| 17   | 3256-22     | 4    | Washer-Flat                                |
| 18   | 88-3980     | 1    | Gas Cap ASM                                |
| 18:3 | 88-4010     | 1    | Gasket-Cap, Gas                            |
| 19   | 322-7       | 4    | Screw-HH                                   |
| 20   | 106-8720    | 1    | Hose-Fuel                                  |

| Ref | Part No.    | Qty. | Description               |
|-----|-------------|------|---------------------------|
| 21  | 88-4490     | 1    | Reducer-Throttle, Rpm     |
| 22  | 46-8560     | 8    | Screw-HHF                 |
| 23  | 92-6877     | 1    | Valve-Drain, Oil          |
| 24  | 609830      | 2    | Spring                    |
| 25  | 112843      | 1    | Washer                    |
| 26  | 3212-16     | 1    | Screw-HH                  |
| 27  | 98-5023     | 1    | Bumper                    |
| 28  | 322-4       | 2    | Screw-HH                  |
| 29  | 104-3626    | 1    | Cable-Throttle            |
| 30  | 3258-166    | 4    | Screw-PRH                 |
| 31  | 62-7190     | 2    | Spacer-Steel              |
| 32  | 106-2156    | 1    | Plate-Mount, Idler        |
| 33  | 105-6965    | 1    | Footrest ASM              |
| 34  | 321-4       | 3    | Screw-HH                  |
| 35  | 3296-42     | 7    | Nut-Lock, NI              |
| 36  | 106-6994-03 | 1    | Brace ASM                 |
| 37  | 106-2193-03 | 1    | Plate-Tank                |
| 38  | 107069      | 4    | Clip                      |
| 39  | 106-2224    | 1    | Decal-Control             |
| 40  | 106-6989    | 1    | Decal - Instruction - Int |
| 41  | 106-6992    | 1    | Decal                     |
| 42  | 106-7007    | 1    | Muffler                   |
| 43  | 3274-10     | 2    | Screw-HSH                 |
| 44  | 105-6971    | 2    | Decal                     |





## 42in Deck Spindle and Belt Drive Assembly

| Ref | Part No.    | Qty. | Description         |
|-----|-------------|------|---------------------|
| 2   | 32144-41    | 8    | Screw-Taptite       |
| 3   | 100-1048    | 4    | Bearing-Ball        |
| 4   | 88-4510     | 2    | Housing-Spindle     |
| 5   | 62-3661     | 2    | Spacer-Bearing      |
| 6   | 80-4380     | 2    | Spacer              |
| 7   | 80-4360     | 2    | Shield-Bearing      |
| 8   | 80-4341     | 2    | Shaft-Spindle       |
| 9   | 106-2247-03 | 2    | Blade               |
| 10  | 106-2173    | 1    | Belt-V              |
| 11  | 3290-465    | 2    | Washer-Belleville   |
| 12  | 26-0671     | 2    | Screw-Blade         |
| 13  | 88-5970     | 1    | Hook-Return, Spring |
| 14  | 106-2177    | 1    | Spring-Extension    |
| 15  | 5-4460      | 1    | Washer-Pivot        |
| 16  | 3219-6      | 2    | Nut-Hex             |
| 17  | 88-5330     | 2    | Pully-Deck          |
| 18  | 322-4       | 2    | Screw-HH            |
| 19  | 88-4980     | 1    | Bushing-Arm, Idler  |
| 20  | 323-7       | 1    | Screw-HH            |
| 21  | 323-10      | 2    | Screw-HH            |
| 22  | 3256-24     | 3    | Washer-Flat         |
| 23  | 88-5070     | 1    | Guide-Idler, Belt   |
| 24  | 88-5630     | 2    | Pulley-Idler, Flat  |
| 25  | 7-0030      | 1    | Bolt-Shoulder       |

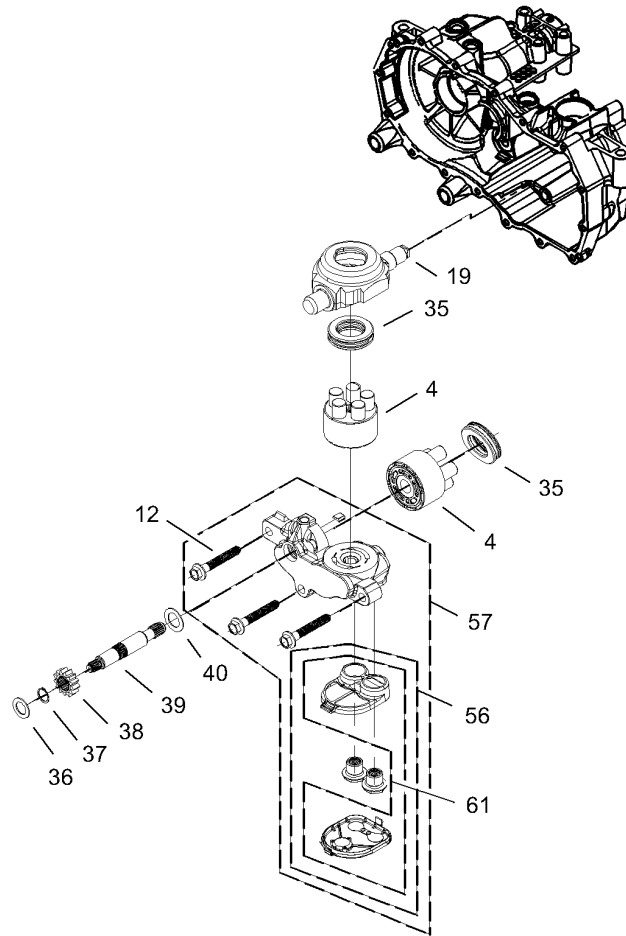
| Ref | Part No.    | Qty. | Description     |
|-----|-------------|------|-----------------|
| 26  | 106-6995-01 | 1    | Arm- Idler      |
| 27  | 32128-21    | 2    | Nut-HF          |
| 28  | 32128-25    | 3    | Nut-HF          |
| 29  | 106-2248-03 | 2    | Stiffener-Blade |







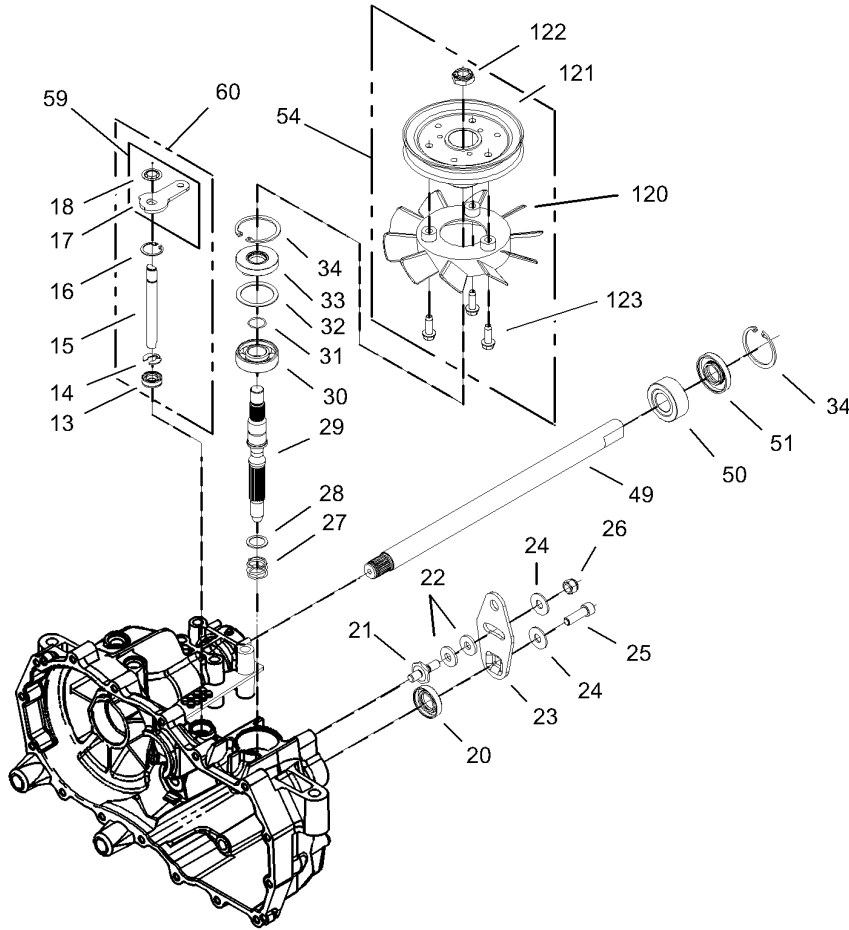




## Cylinder Block Assembly RH Hydrostat No. 105-3491

| Ref | Part No. | Qty. | Description                  |
|-----|----------|------|------------------------------|
| 4   | 104-2106 | 1    | Cylinder Block ASM           |
| 12  | 94-6926  | 3    | Bolt                         |
| 19  | 104-5304 | 1    | Swashplate-Trunnion          |
| 35  | 94-6922  | 2    | Bearing-Thrust               |
| 36  | 104-5339 | 1    | Washer-Flat                  |
| 37  | 104-5340 | 1    | Ring-Retaining               |
| 38  | 104-5316 | 1    | Gear-Pinnion, 13T            |
| 39  | 106-8683 | 1    | Shaft-Motor                  |
| 40  | 104-5360 | 1    | Washer-Shaft, Motor          |
| 56  | 106-8689 | 1    | Filter Kit                   |
| 57  | 106-8690 | 1    | LH Center Section Filter Kit |
| 61  | 106-8693 | 1    | Filter Kit                   |

|  |  |  |  |
|--|--|--|--|
|  |  |  |  |
|--|--|--|--|

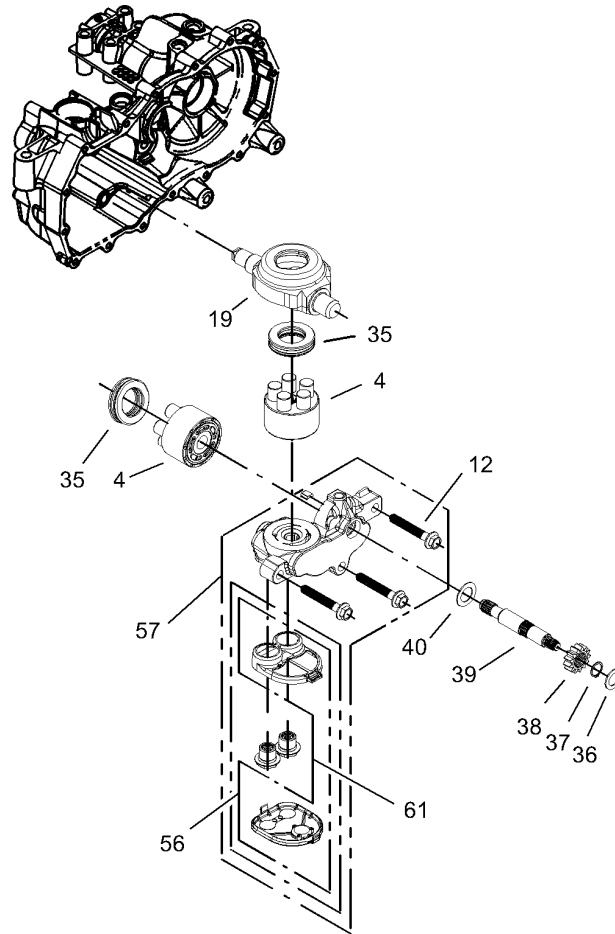


## Fan and Pulley Assembly RH Hydrostat No. 105-3491

| Ref | Part No. | Qty. | Description              |
|-----|----------|------|--------------------------|
| 13  | 106-8676 | 1    | Seal-Lip                 |
| 14  | 106-8677 | 1    | Ring-Retaining, EXT      |
| 15  | 106-8678 | 1    | Rod-Bypass               |
| 16  | 106-8679 | 1    | Ring-Retaining, Int      |
| 17  | 106-8680 | 1    | Arm-Bypass               |
| 18  | 106-8681 | 1    | Ring-Retaining, EXT      |
| 20  | 104-5313 | 1    | Seal-Lip                 |
| 21  | 104-2116 | 1    | Stud                     |
| 22  | 105-1873 | 2    | Puck-Friction            |
| 23  | 106-8747 | 1    | Arm-Control              |
| 24  | 5-4460   | 2    | Washer-Pivot             |
| 25  | 106-8682 | 1    | Screw-Sh                 |
| 26  | 105-1872 | 1    | Nut                      |
| 27  | 94-1936  | 1    | Spring-Block             |
| 28  | 94-1937  | 1    | Washer-Thrust, Block     |
| 29  | 104-5306 | 1    | Shaft-Input              |
| 30  | 104-5311 | 1    | Bearing-Ball             |
| 31  | 104-5307 | 1    | Ring-Retaining           |
| 32  | 104-5308 | 1    | Spacer                   |
| 33  | 104-5310 | 1    | Seal-Lip                 |
| 34  | 104-5309 | 2    | Ring-Retaining           |
| 49  | 106-8685 | 1    | Axle                     |
| 50  | 104-5321 | 1    | Bearing-Sleeve, Outboard |
| 51  | 104-5322 | 1    | Seal-Lip                 |

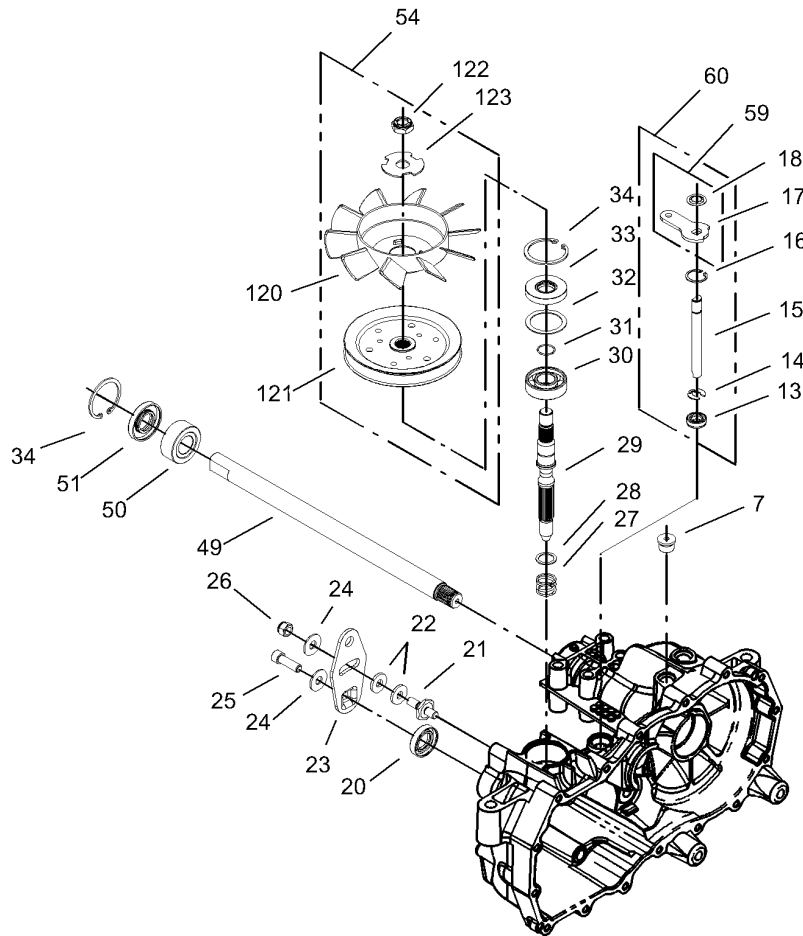
| Ref | Part No. | Qty. | Description        |
|-----|----------|------|--------------------|
| 54  | 105-1928 | 1    | Fan Pulley Kit     |
| 59  | 106-8691 | 1    | Bypass Arm Kit     |
| 60  | 106-8692 | 1    | Bypass Arm/Rod Kit |
| 120 | 105-1927 | 1    | Fan                |
| 121 | 105-1896 | 1    | Pulley             |
| 122 | 105-1875 | 1    | Nut-Lock           |
| 123 | 104-2120 | 3    | Screw              |





## Cylinder Block Assembly LH Hydrostat No. 105-3492

| Ref | Part No. | Qty. | Description                  |
|-----|----------|------|------------------------------|
| 4   | 104-2106 | 1    | Cylinder Block ASM           |
| 12  | 94-6926  | 3    | Bolt                         |
| 19  | 104-5304 | 1    | Swashplate-Trunnion          |
| 35  | 94-6922  | 2    | Bearing-Thrust               |
| 36  | 104-5339 | 1    | Washer-Flat                  |
| 37  | 104-5340 | 1    | Ring-Retaining               |
| 38  | 104-5316 | 1    | Gear-Pinnion, 13T            |
| 39  | 106-8683 | 1    | Shaft-Motor                  |
| 40  | 104-5360 | 1    | Washer-Shaft, Motor          |
| 56  | 106-8689 | 1    | Filter Kit                   |
| 57  | 106-8699 | 1    | RH Center Section Filter Kit |
| 61  | 106-8699 | 1    | RH Center Section Filter Kit |

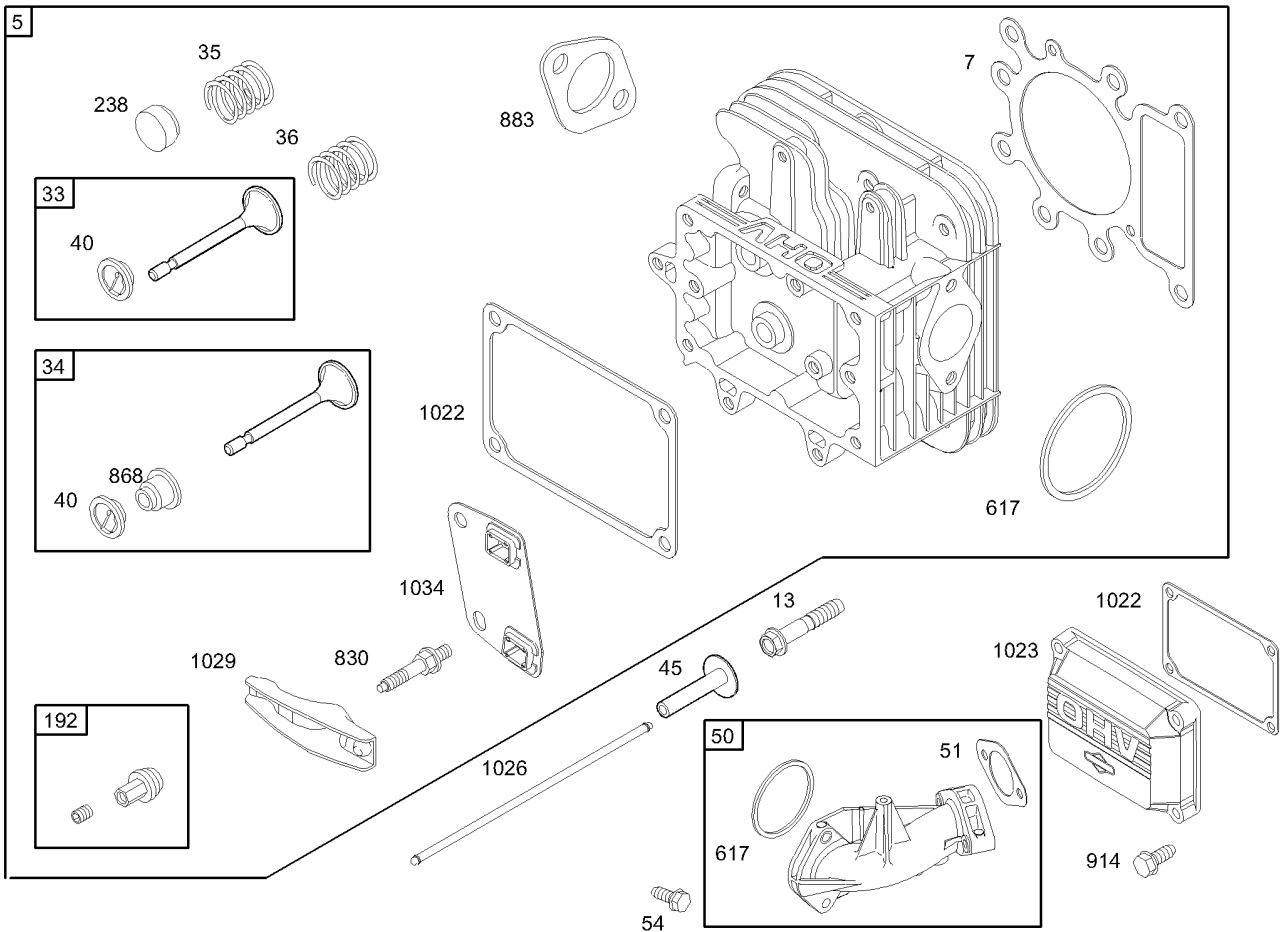


## Fan and Pulley Assembly LH Hydrostat No. 105-3492

| Ref | Part No. | Qty. | Description              |
|-----|----------|------|--------------------------|
| 7   | 104-2189 | 1    | Plug-Thread, Straight    |
| 13  | 106-8676 | 1    | Seal-Lip                 |
| 14  | 106-8677 | 2    | Ring-Retaining, EXT      |
| 15  | 106-8678 | 1    | Rod-Bypass               |
| 16  | 106-8679 | 1    | Ring-Retaining, Int      |
| 17  | 106-8680 | 1    | Arm-Bypass               |
| 18  | 106-8681 | 1    | Ring-Retaining, EXT      |
| 20  | 104-5313 | 1    | Seal-Lip                 |
| 21  | 104-2116 | 1    | Stud                     |
| 22  | 105-1873 | 2    | Puck-Friction            |
| 23  | 106-8747 | 1    | Arm-Control              |
| 24  | 5-4460   | 2    | Washer-Pivot             |
| 25  | 106-8682 | 1    | Screw-Sh                 |
| 26  | 105-1872 | 1    | Nut                      |
| 27  | 106-8747 | 1    | Arm-Control              |
| 28  | 94-1937  | 1    | Washer-Thrust, Block     |
| 29  | 104-5306 | 1    | Shaft-Input              |
| 30  | 104-5311 | 1    | Bearing-Ball             |
| 31  | 104-5307 | 1    | Ring-Retaining           |
| 32  | 104-5308 | 1    | Spacer                   |
| 33  | 104-5310 | 1    | Seal-Lip                 |
| 34  | 104-5309 | 2    | Ring-Retaining           |
| 49  | 106-8685 | 1    | Axle                     |
| 50  | 104-5321 | 1    | Bearing-Sleeve, Outboard |

| Ref | Part No. | Qty. | Description          |
|-----|----------|------|----------------------|
| 51  | 104-5322 | 1    | Seal-Lip             |
| 54  | 106-8698 | 1    | Fan Pulley Kit       |
| 59  | 106-8691 | 1    | Bypass Arm Kit       |
| 60  | 106-8692 | 1    | Bypass Arm/Rod Kit   |
| 120 | 110-8566 | 1    | Fan-6 Inch, 10 Blade |
| 121 | 104-1754 | 1    | Pulley               |
| 122 | 105-1875 | 1    | Nut-Lock             |
| 123 | 104-2120 | 3    | Screw                |

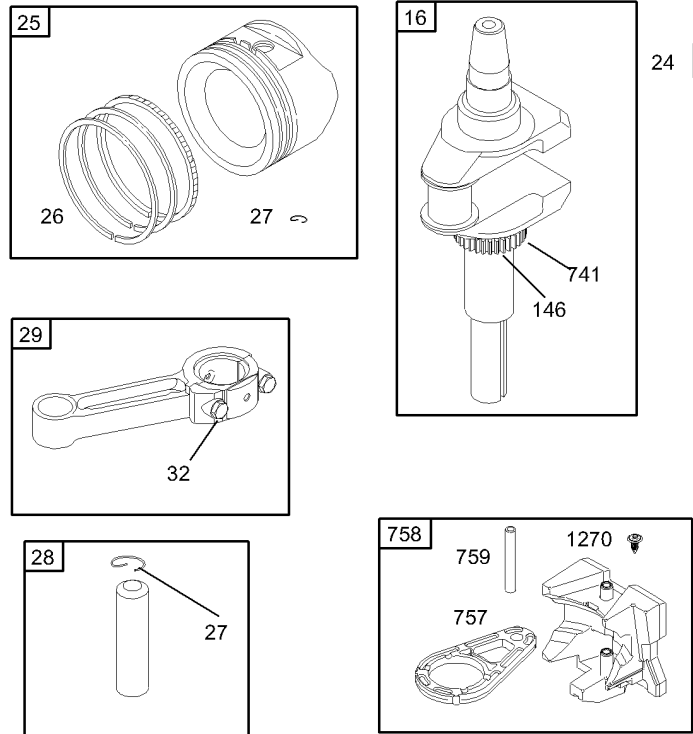




## Cylinder Head Assembly Briggs and Stratton 286H77-0165-E1

| Ref    | Part No. | Qty. | Description           |
|--------|----------|------|-----------------------|
| 75     | 698148   | 1    | Head-Cylinder         |
| 377    | 273280   | 1    | Gasket-Head, Cylinder |
| 713    | 690360   | 1    | Screw                 |
| 733    | 695760   | 1    | Valve-Exhaust         |
| 734    | 695761   | 1    | Valve-Intake          |
| 735    | 691279   | 1    | Spring-Valve          |
| 736    | 691279   | 1    | Spring-Valve          |
| 740    | 691752   | 1    | Retainer-Valve        |
| 745    | 690564   | 1    | Tappet-Valve          |
| 750    | 690193   | 1    | Manifold-Intake       |
| 3451   | 692137   | 1    | Gasket-Intake         |
| 36     |          |      |                       |
| 754    | 691148   | 1    | Screw                 |
| 7192   | 691986   | 1    | Adjustor-Arm, Rocker  |
| 7238   | 691843   | 1    | Cap-Valve             |
| 3617   | 692138   | 1    | Seal-O Ring           |
| 7      |          |      |                       |
| 7830   | 691095   | 1    | Stud-Arm, Rocker      |
| 34868  | 690968   | 1    | Seal-Valve            |
| 7      |          |      |                       |
| 7883   | 692236   | 1    | Gasket-Exhaust        |
| 7914   | 690960   | 1    | Screw                 |
| 371022 | 272475   | 1    | Gasket-Cover, Rocker  |
| 71023  | 692492   | 1    | Cover-Rocker          |

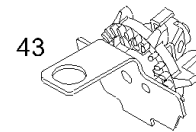
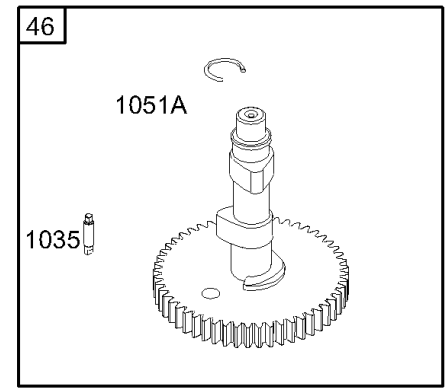
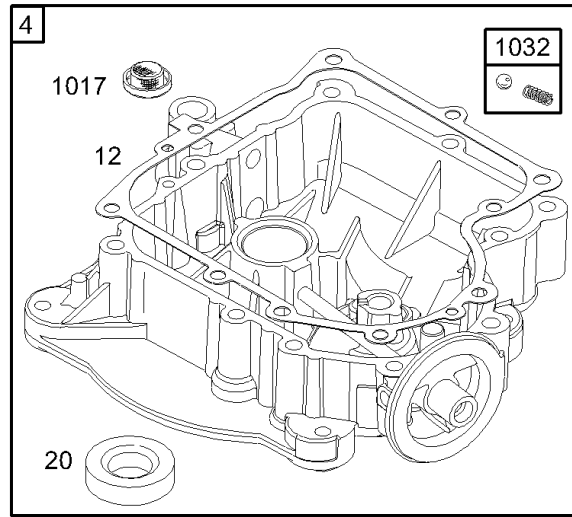
| Ref   | Part No. | Qty. | Description     |
|-------|----------|------|-----------------|
| 71026 | 692003   | 1    | Rod-Push        |
| 7     | 692011   | 1    | Rod-Push        |
| 71029 | 691751   | 1    | Arm-Rocker      |
| 71034 | 690822   | 1    | Guide-Rod, Push |



Assemblies include all parts shown in frames.

## Crankshaft Assembly Briggs and Stratton 286H77-0165-E1

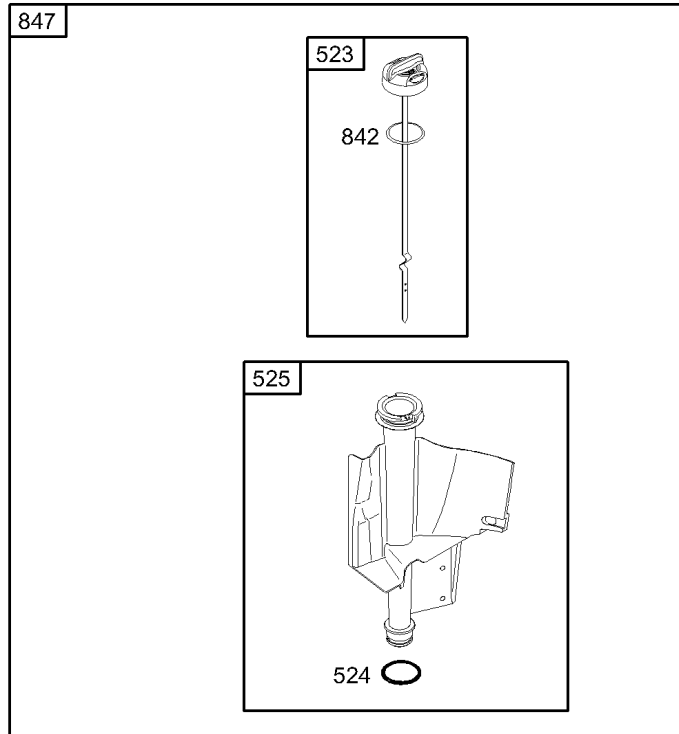
| Ref  | Part No. | Qty. | Description                       |
|------|----------|------|-----------------------------------|
| 16   | 697127   | 1    | Crankshaft                        |
| 24   | 222698   | 1    | Key                               |
| 25   | 697114   | 1    | Piston ASM (Standard)             |
|      | 697116   | 1    | Piston Assembly (.010In Oversize) |
|      | 697117   | 1    | Piston ASM (.020In Oversize)      |
|      | 697118   | 1    | Piston Assembly (.030In Oversize) |
| 26   | 697115   | 1    | Ring Set (Standard)               |
|      | 697119   | 1    | Ring Set (.010" Oversize)         |
|      | 697120   | 1    | Ring Set (.020In Oversize)        |
|      | 697121   | 1    | Ring Set (.030" Oversize)         |
| 27   | 698469   | 1    | Lock-Pin, Piston                  |
| 28   | 697099   | 1    | Pin-Piston (STD)                  |
| 29   | 697126   | 1    | Rod-Connecting (Standard)         |
|      | 697263   | 1    | Rod-Connecting (.020In Undersize) |
| 32   | 692852   | 1    | Screw                             |
| 146  | 691639   | 1    | Key-Timing                        |
| 741  | 697128   | 1    | Gear-Timing                       |
| 757  | 697607   | 1    | Link-Counterweight                |
| 758  | 697134   | 1    | Counterweight                     |
| 759  | 697392   | 1    | Pin-Counterweight                 |
| 1270 | 697156   | 1    | Plug-Counterweight, Avs           |



Assemblies include all parts shown in frames.

## Crankcase Assembly Briggs and Stratton 286H77-0165-E1

| Ref   | Part No. | Qty. | Description          |
|-------|----------|------|----------------------|
| 4     | 697188   | 1    | Sump-Engine          |
| 12    | 697110   | 1    | Gasket-Crankcase     |
| 15    | 690283   | 1    | Plug-Oil             |
| 20    | 690947   | 1    | Seal-Oil             |
| 22    | 692125   | 1    | Screw                |
| 43    | 691968   | 1    | Slinger-Governor,Oil |
| 46    | 698577   | 1    | Camshaft             |
| 1017  | 690770   | 1    | Screen-Pump, Oil     |
| 1032  | 491710   | 1    | Ball-Pump, Oil       |
| 1035  | 693784   | 1    | Shaft-Pump, Oil      |
| 1051A | 698802   | 1    | Ring-Retaining       |



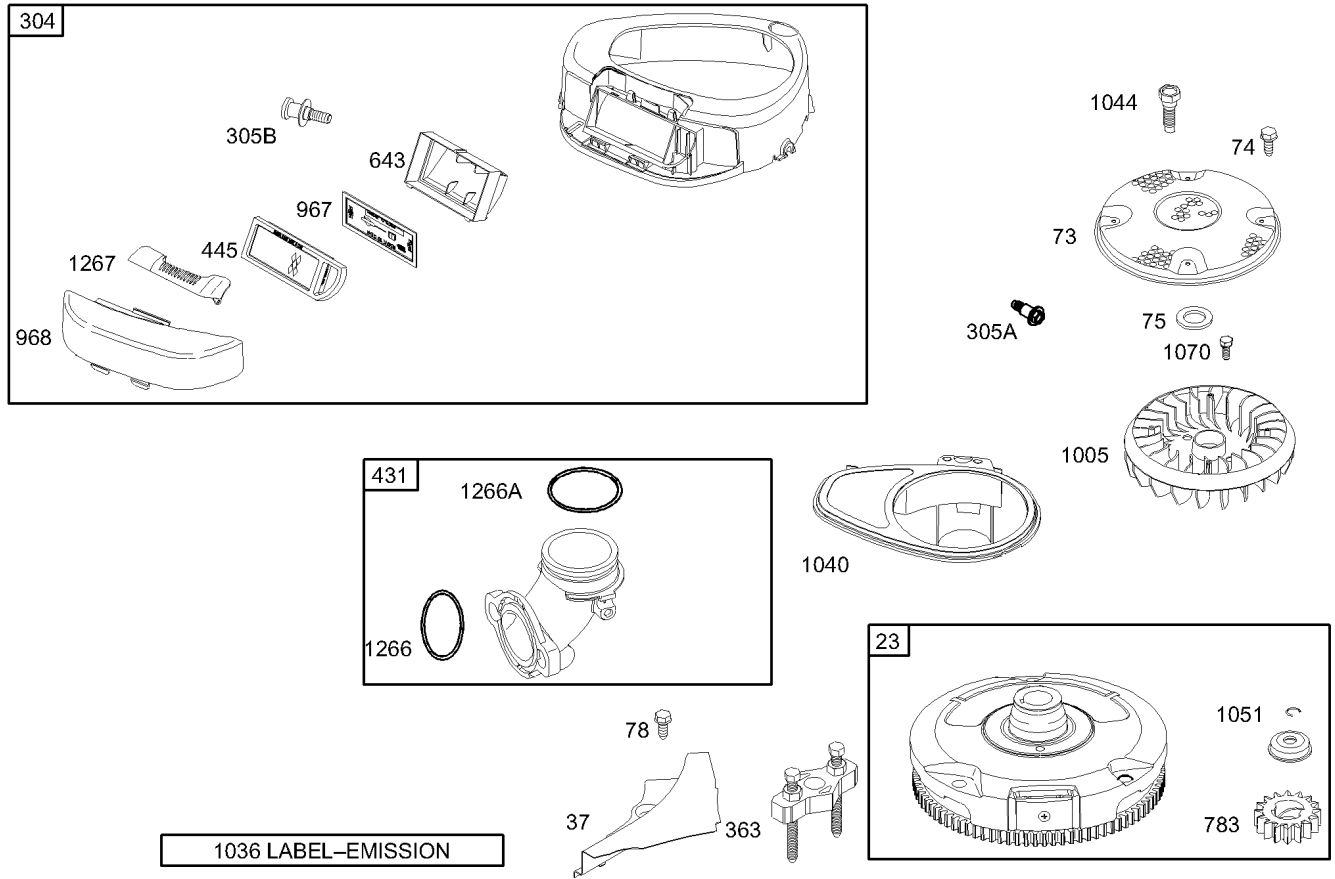
Assemblies include all parts shown in frames.

## Oil Filter, Tube and Pump Assembly Briggs and Stratton 286H77-0165-E1

| Ref   | Part No. | Qty. | Description           |
|-------|----------|------|-----------------------|
| ⑦523  | 697086   | 1    | Dipstick              |
| ③⑦524 | 691032   | 1    | Seal-O Ring           |
| ⑦525  | 697184   | 1    | Tube-Dipstick         |
| ③⑦842 | 691031   | 1    | Seal-O Ring           |
| ⑦847  | 697611   | 1    | Dipstick And Tube ASM |





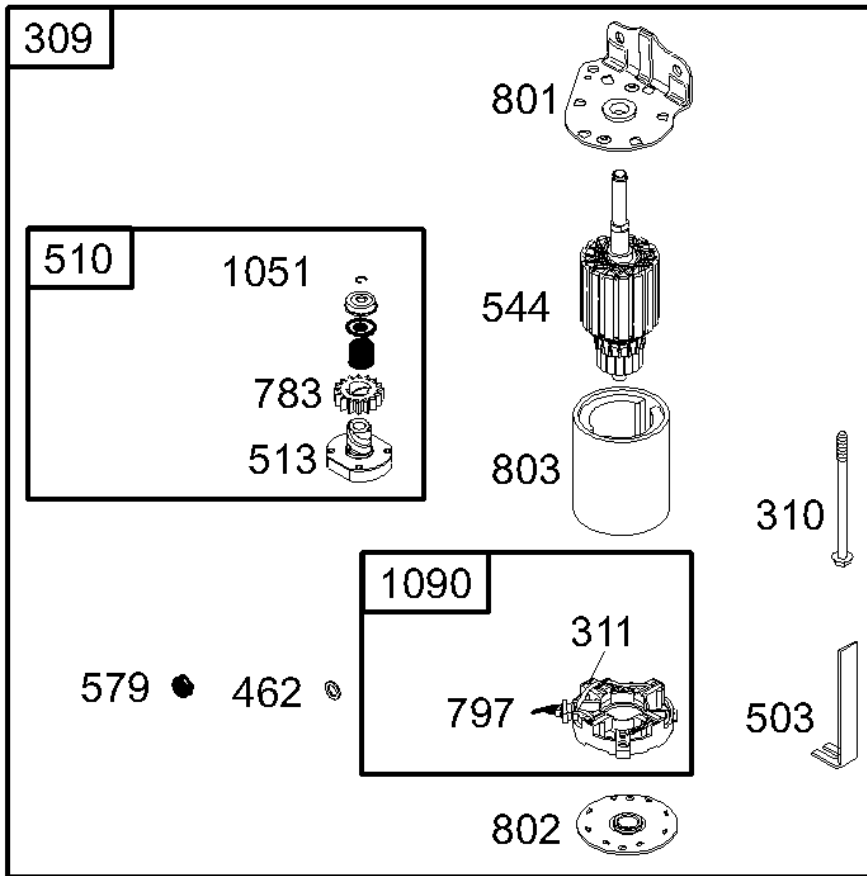


Assemblies include all parts shown in frames.

## Blower Housing Assembly Briggs and Stratton 286H77-0165-E1

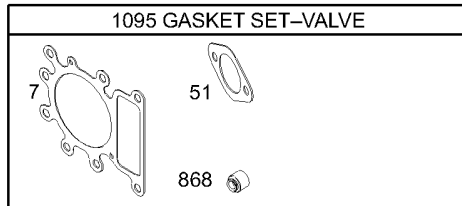
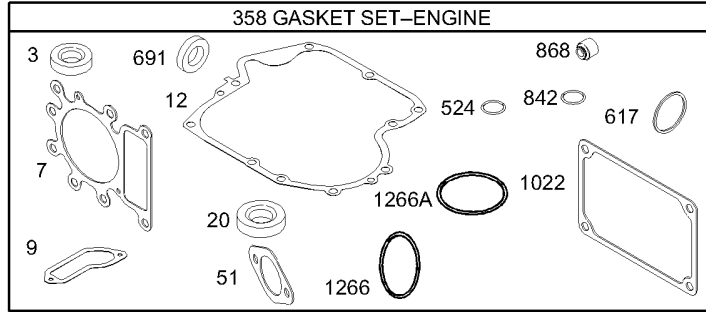
| Ref     | Part No. | Qty. | Description                   |
|---------|----------|------|-------------------------------|
| ⑦23     | 693556   | 1    | Flywheel                      |
| ⑦37     | 697352   | 1    | Guard-Flywheel                |
| ⑦73     | 697384   | 1    | Screen-Rotating               |
| ⑦74     | 697897   | 1    | Screw                         |
| ⑦75     | 690582   | 1    | Washer-Flywheel               |
| ⑦78     | 691003   | 1    | Screw                         |
| ⑦304    | 698804   | 1    | Housing-Blower                |
| ⑦305    | 697102   | 1    | Screw                         |
| ⑦305A   | 697103   | 1    | Screw                         |
| ⑦363    | 19203    | 1    | Puller-Flywheel               |
| ⑦431    | 697122   | 1    | Elbow-Intake                  |
| ⑦445    | 698083   | 1    | Filter-Cartridge, Air Cleaner |
| ⑦643    | 698401   | 1    | Retainer-Filter, Air          |
| ⑦783    | 693713   | 1    | Gear-Pinion                   |
| ⑦967    | 697015   | 1    | Filter-Cleaner, Pre           |
| ⑦968    | 697084   | 1    | Cover-Cleaner, Air            |
| ⑦1005   | 697853   | 1    | Fan-Flywheel                  |
| ⑦1036   | 695700   | 1    | Label-Emission                |
| ⑦1040   | 698368   | 1    | Plate-Trim                    |
| ⑦1044   | 691658   | 1    | Screw-Crankshaft Extension    |
| ⑦1051   | 691265   | 1    | Ring-Retaining                |
| ⑦1070   | 690372   | 1    | Screw                         |
| ③⑦1266  | 691917   | 1    | Seal-O Ring                   |
| ③⑦1266A | 697123   | 1    | Seal-O Ring                   |

| Ref   | Part No. | Qty. | Description          |
|-------|----------|------|----------------------|
| ⑦1267 | 697135   | 1    | Latch-Blower Housing |



## Starter Assembly Briggs and Stratton 286H77-0165-E1

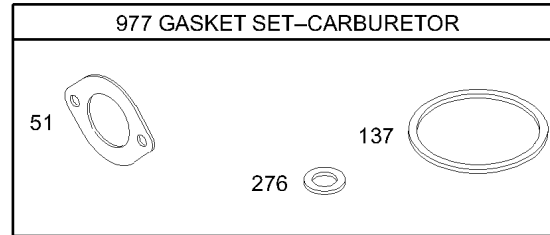
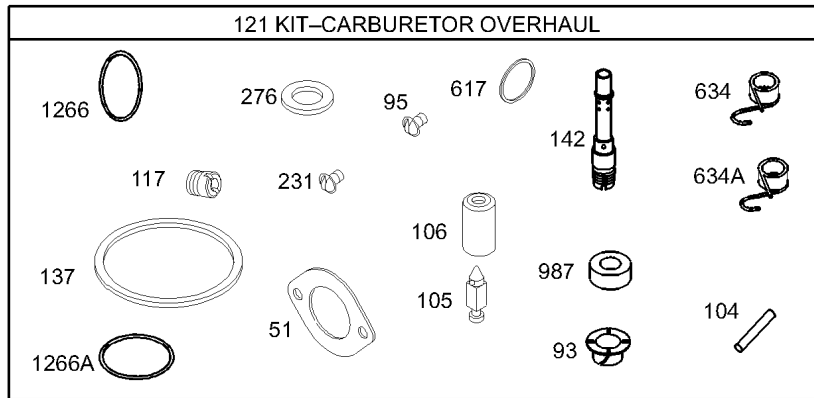
| Ref  | Part No. | Qty. | Description      |
|------|----------|------|------------------|
| 309  | 693551   | 1    | Motor-Starter    |
| 310  | 690323   | 1    | Bolt             |
| 311  | 497608   | 1    | Brush Set        |
| 462  | 691261   | 1    | Washer           |
| 503  | 691532   | 1    | Strap-Starter    |
| 510  | 693699   | 1    | Drive-Starter    |
| 513  | 692024   | 1    | Clutch-Drive     |
| 544  | 692034   | 1    | Armature-Starter |
| 579  | 691029   | 1    | Nut              |
| 697  | 690372   | 1    | Screw            |
| 729A | 691224   | 1    | Clip-Wire        |
| 729B | 694123   | 1    | Clip-Wire        |
| 783  | 693713   | 1    | Gear-Pinion      |
| 797  | 693167   | 1    | Nut              |
| 801  | 691283   | 1    | Cap-Drive        |
| 802  | 691286   | 1    | Cap-End          |
| 803  | 693757   | 1    | Housing-Starter  |
| 1051 | 691265   | 1    | Ring-Retaining   |
| 1090 | 691293   | 1    | Retainer-Brush   |



Assemblies include all parts shown in frames.

## Gasket Assembly Briggs and Stratton 286H77-0165-E1

| Ref    | Part No. | Qty. | Description           |
|--------|----------|------|-----------------------|
| 373    | 391086   | 1    | Seal-Oil              |
| 377    | 273280   | 1    | Gasket-Head, Cylinder |
| 379    | 697109   | 1    | Gasket-Breather       |
| 3712   | 697110   | 0    | Gasket-Crankcase      |
| 3720   | 690947   | 1    | Seal-Oil              |
| 451    | 692137   | 1    | Gasket-Intake         |
| 358    | 697151   | 1    | Engine Gasket Set     |
| 4617   | 692138   | 1    | Seal-O Ring           |
| 7524   | 691032   | 1    | Seal-O Ring           |
| 7691   | 692407   | 1    | Seal-Shaft, Governor  |
| 7842   | 691031   | 1    | Seal-O Ring           |
| 4868   | 690968   | 1    | Seal-Valve            |
| 71022  | 272475   | 1    | Gasket-Cover, Rocker  |
| 71095  | 691581   | 1    | Valve Gasket Set      |
| 51266  | 691917   | 1    | Seal-O Ring           |
| 51266A | 697123   | 1    | Seal-O Ring           |



Assemblies include all parts shown in frames.  
**Carburetor Overhaul Kit Assembly**  
**Briggs and Stratton 286H77-0165-E1**

| Ref          | Part No. | Qty. | Description                 |
|--------------|----------|------|-----------------------------|
| ④51<br>⑤⑥    | 692137   | 1    | Gasket-Intake               |
| ⑤⑦93         | 690602   | 1    | Bushing-Shaft, Throttle     |
| ⑤⑦95         | 691636   | 1    | Screw                       |
| ⑤⑦104        | 690525   | 1    | Pin-Hinge, Carburetor Float |
| ⑤⑦105        | 231855   | 1    | Valve-Needle, Float         |
| ⑤⑦106        | 690577   | 1    | Seat-Inlet                  |
| ⑤⑦117        | 694352   | 1    | Jet-Main (STD)              |
| ⑦121         | 697154   | 1    | Carburetor Overhaul Kit     |
| ⑤⑥137<br>⑦   | 281165   | 1    | Gasket-Bowl, Float          |
| ⑤⑦142        | 697140   | 1    | Nozzle-Carburetor           |
| ⑤⑦231        | 691636   | 1    | Screw                       |
| ⑤⑥276<br>⑦   | 692255   | 1    | Washer-Sealing              |
| ⑤⑤617<br>⑦   | 692138   | 1    | Seal-O Ring                 |
| ⑤⑦634        | 690801   | 1    | Spring / Seal ASM           |
| ⑤⑦634A       | 690802   | 1    | Spring And Seal ASM         |
| ⑦977         | 690192   | 1    | Carburetor Gasket Set       |
| ⑤⑤1266<br>⑦  | 691917   | 1    | Seal-O Ring                 |
| ⑤⑤1266A<br>⑦ | 697123   | 1    | Seal-O Ring                 |

## NOTES

# NOTES

