



Z16-44 TimeCutter™ Z Riding Mower

Model No. 74501 - 210000001 and up.

Parts Catalog

Ordering Replacement Parts

To order replacement parts, please supply the part number, the quantity, and the description of each part desired.

Understanding Reference Numbers

Each identified part in an illustration has a reference number. The reference number for a part also appears in the parts list, along with other information about the part.

This catalog uses two special reference number formats, one to indicate parts in a service assembly and another to indicate the quantity of a given part in an illustration.

Service Assembly Reference Numbers

Parts in service assemblies have reference numbers in the form a:b. The a represents the reference number of the entire service assembly and the b represents a sequential number unique to each part within the service assembly.

For example, a wheel assembly might be identified by reference number 6, the tire by 6:1, the valve by 6:2, and the wheel by 6:3. When you order the assembly identified by reference number 6, you receive all parts identified by reference numbers 6:1, 6:2, and 6:3. However, you may also order any part individually. Reference numbers of this type appear in illustrations and in part lists.

Reference Numbers Indicating Quantity

In an illustration, if a reference number indicates more than one part, the reference number has the form nX y. The n represents the quantity of the part, the X is the multiplication symbol, and the y represents the reference number.

For example, in an illustration, the reference number 2X 37 means that two of the parts identified by reference number 37 are indicated.

Contents

Description	Page	Description	Page
Front Frame Assembly 3	Crankshaft Assembly Briggs And Stratton 311777-0117-E1 21
Height-of-Cut Assembly 4	Gasket Assembly Briggs And Stratton 311777-0117-E1 22
Main Frame Assembly 5	Walbro Carburetor Assembly Briggs And Stratton 311777-0117-E1 23
Fuel Tank Assembly 6	Nikki Carburetor Assembly Briggs And Stratton 311777-0117-E1 24
Parking Brake Assembly 7	Governor Assembly Briggs And Stratton 311777-0117-E1 25
Motion Control Assembly 8	Oil Filter, Tube, And Pump Assembly Briggs And Stratton 311777-0117-E1 26
Hydro And Belt Drive Assembly 9	Air Cleaner Assembly Briggs And Stratton 311777-0117-E1 27
Engine And Clutch Assembly 10	Blower Housing Assembly Briggs And Stratton 311777-0117-E1 28
Electrical Assembly 11	Starter Assembly Briggs And Stratton 311777-0117-E1 29
44 Inch Deck Assembly 12	Gasket Assembly Briggs And Stratton 311777-0117-E1 30
44 Inch Deck Belt Drive and Lift Assembly 13	Carburetor Overhaul Kit Assembly Briggs And Stratton 311777-0117-E1 31
Wiring Schematic 14		
Right Hand Hydro Transaxle Assembly No. 100-7360 15		
Left Hand Hydro Transaxle Assembly No. 100-7361 17		
Cylinder Assembly Briggs And Stratton 311777-0117-E1 19		
Cylinder Head Assembly Briggs And Stratton 311777-0117-E1 20		

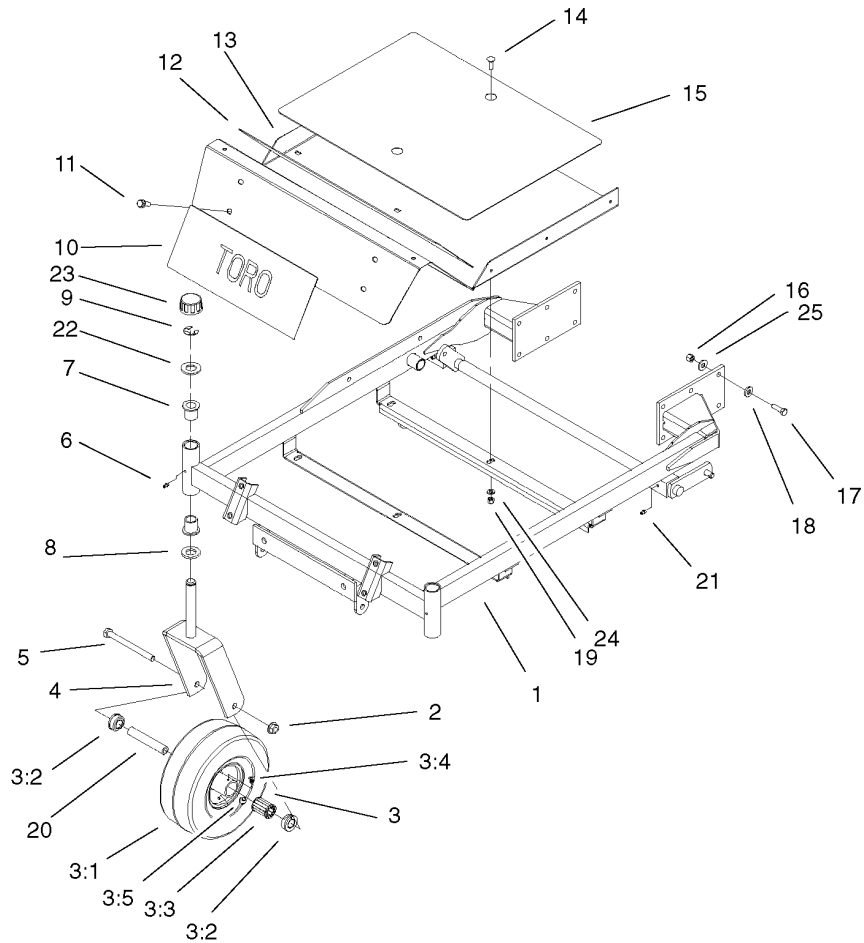
Part Description Abbreviations

Part descriptions in this catalog may include the following abbreviations.

AR. as required	HYD. hydraulic
ASM. assembly	LH. left hand
BBC. blade brake clutch	NI. nylon insert
CARR. carriage	NPTF. national pipe thread fine
DEG. degrees	PFH. phillips flat head
EXT. external	PPH. phillips pan head
FH. flat head	PPHTF. phillips pan head thread forming
GA. gauge	PRH. phillips round head
HD. heavy-duty	PTH. phillips truss head
HF. hex flange	PTO. power-take-off
HH. hex head	RH. right hand
HHF. hex head flange	ROPS. roll-over protection system
HHFTF. hex head flange thread forming	SFH. slotted fillister head
HJ. hex jam	SHH. slotted hex head
HLH. hex lag head	SHWH. slotted hex washer head
HOC. height-of-cut	SPH. slotted pan head
HSBH. hex socket button head	SQH. square head
HSFH. hex socket flat head	SRH. slotted round head
HSH. hex socket head	STD. standard
HWH. hex washer head	TAP. self tapping
HWHTF. hex washer head thread forming	TTH. torx truss head

Footnotes

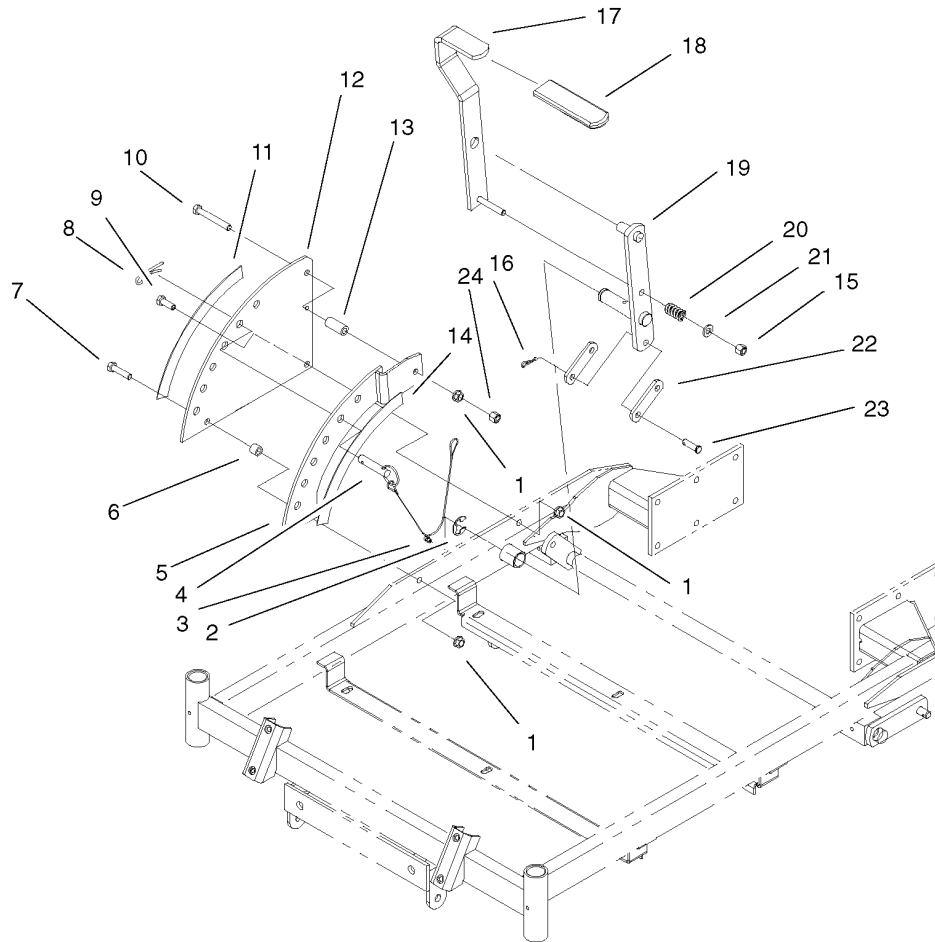
- | | |
|---|--|
| ❶ Not illustrated | ❷ Not serviced |
| ❸ Obtain from your local Briggs & Stratton dealer | ❹ Included in Carburetor Overhaul Kit (Ref. No. 121) |
| ❺ Included in Engine Gasket Set (Ref. No. 358) | ❻ Included in Carburetor Gasket Set (Ref. No. 977) |
| ❽ Included in Valve Gasket Set (Ref. No. 1095) | |



Front Frame Assembly

Ref	Part No.	Qty.	Description
1	100-7357-01	1	Carrier Frame ASM
2	32128-23	2	Nut-HF
3	100-7364	2	Caster Wheel ASM
3:1	105-1943	1	Tire
3:2	62-5580	2	Bearing-Outside
3:3	83-4740	1	Bearing
3:4	302-11	1	Fitting-Lube, 45 DEG
3:5	232-27	1	Stem-Valve
4	100-7363-01	2	Caster Fork ASM
5	325-22	2	Screw-HH
6	302-5	2	Fitting-Grease
7	1-303514	4	Bearing-Flanged
8	1-513338	2	Washer-Flat
9	32151-103	2	Ring-Retaining, EXT
10	104-8016	1	Decal
11	66-9300	4	Screw-HF
12	104-3639	1	Pad-Skid, Anti
13	100-7386-03	1	Floorpan
14	3230-28	6	Screw-CARR
15	104-3640	1	Pad-Skid, Anti
16	3296-39	12	Nut-Lock, NI
17	323-7	12	Screw-HH
18	98-5975	12	Washer-Belleville
19	3296-29	6	Nut-Lock, NI

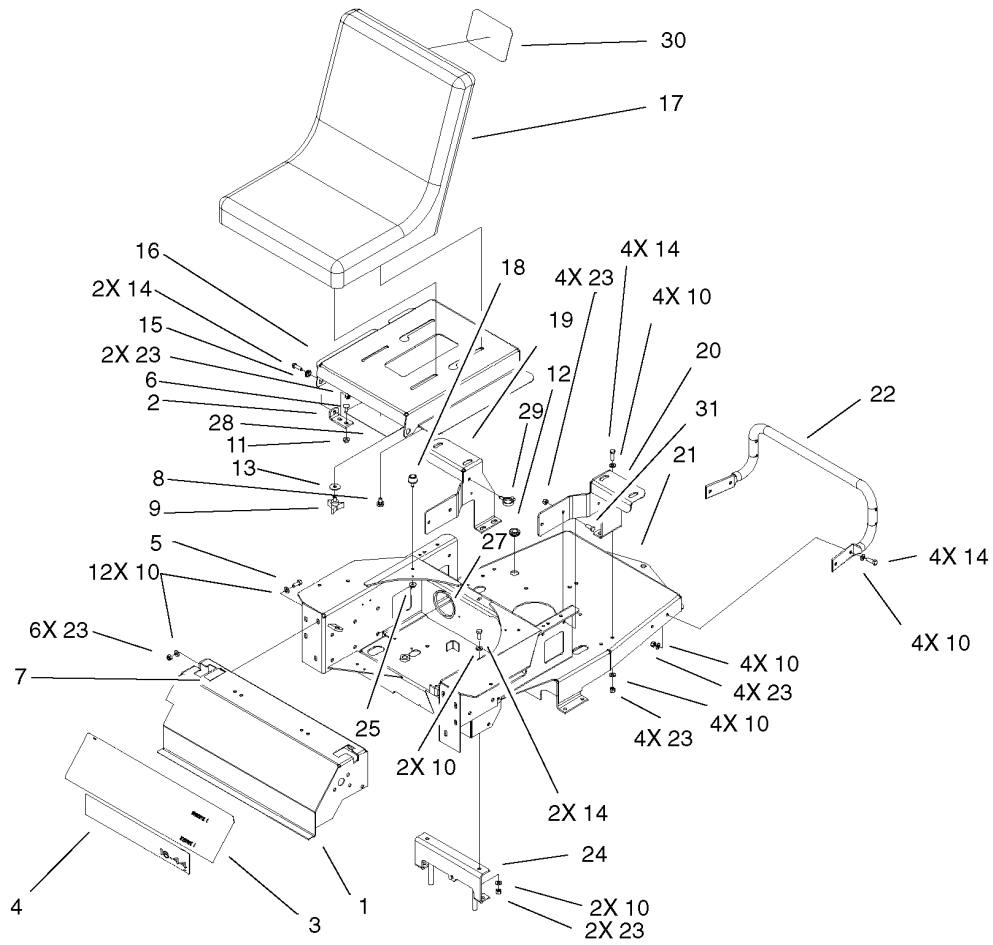
Ref	Part No.	Qty.	Description
20	104-3667	2	Spanner-Wheel
21	302-19	2	Fitting-Grease
22	104-8076	2	Washer
23	61-9780	2	Cap-Hub
24	3256-23	6	Washer-Flat
25	1-809107	12	Washer-Hardened



Height-of-Cut Assembly

Ref	Part No.	Qty.	Description
1	3290-357	3	Nut-HHF, Whiz
2	32151-103	1	Ring-Retaining, EXT
3	302-5	1	Fitting-Grease
4	104-3678	1	Pin-Hitch
5	100-7335-01	1	Plate-Lift
6	1-413088	1	Bushing-Lever, Lift
7	323-8	1	Screw-HH
8	1-806005	1	Pin-Hair
9	323-6	1	Screw-HH
10	323-13	1	Screw-HH
11	104-3641	1	Decal-Deck Height, Outer
12	100-7384-01	1	Plate-Deck Lift
13	1-633082	1	Bushing-Lever, Lift
14	104-8032	1	Decal-Deck Height, Inner
15	3296-39	1	Nut-Lock, NI
16	1-806003	2	Pin-Hair
17	1-652023-03	1	Lever-Lift
18	1-633295	1	Grip-Lever, Lift
19	1-652027-03	1	Arm-Deck, Lift
20	1-633325	1	Spring-Compression
21	3256-24	1	Washer-Flat
22	1-633068	2	Arm-Lift, Deck
23	283-2	2	Pin-Clevis
24	32128-21	1	Nut-HF

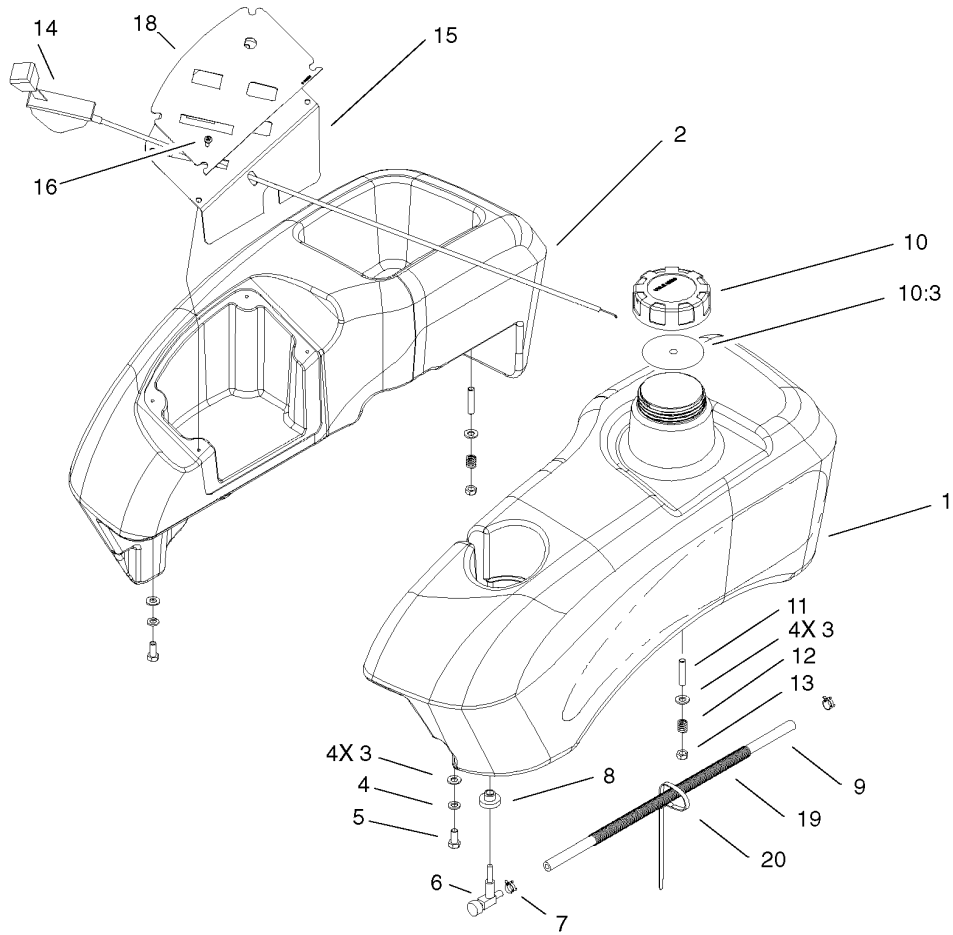
--	--	--	--



Main Frame Assembly

Ref	Part No.	Qty.	Description
1	104-8040-03	1	Console
2	104-8057-03	2	Bracket-Pivot
3	104-8014	1	Decal-Console
4	104-8083	1	Decal
5	322-4	6	Screw-HH
6	104-8049	4	Screw-CARR
7	1-633354	2	Decal-Control, Motion
8	37-8770	2	Bolt-Shoulder
9	92-9674	2	Knob
10	3256-23	32	Washer-Flat
11	32128-25	4	Nut-HF
12	237-124	1	Grommet
13	5-4460	2	Washer-Pivot
14	322-5	12	Screw-HH
15	105503	2	Bushing
16	104-8058-03	1	Pan-Seat
17	104-3690	1	Seat
18	1-523420	2	Bumper
19	100-7376-01	1	Bracket-RH
20	100-7368-01	1	Bracket-LH
21	100-7367-01	1	Frame-Rear
22	100-7332-03	1	Rod-Support, Rear
23	3296-29	22	Nut-Lock, NI
24	104-3676-03	1	Bracket-Hydro Front

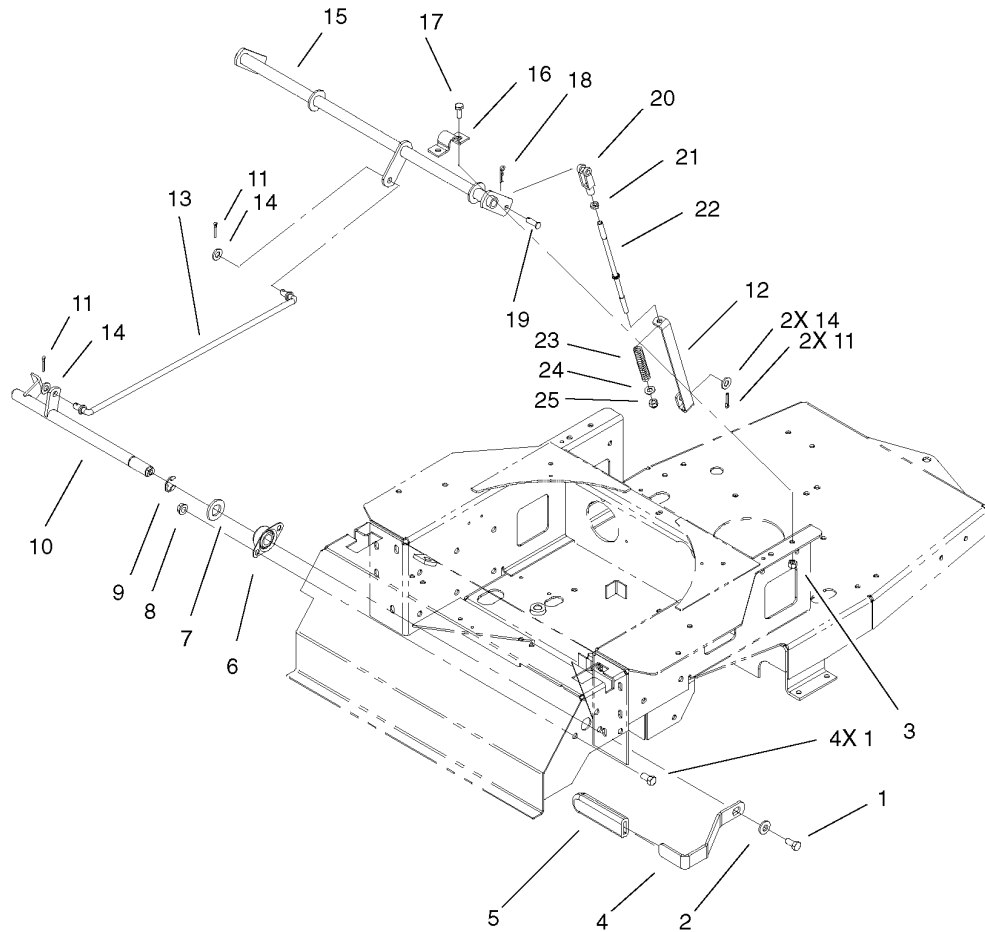
Ref	Part No.	Qty.	Description
25	32128-33	2	Nut-HF
27	105-1854	1	Cover-Conduit
28	104-8088	1	Decal-Service
29	105-1853	2	Clamp-Hose
30	93-7340	1	Decal
31	322-3	4	Screw-HH



Fuel Tank Assembly

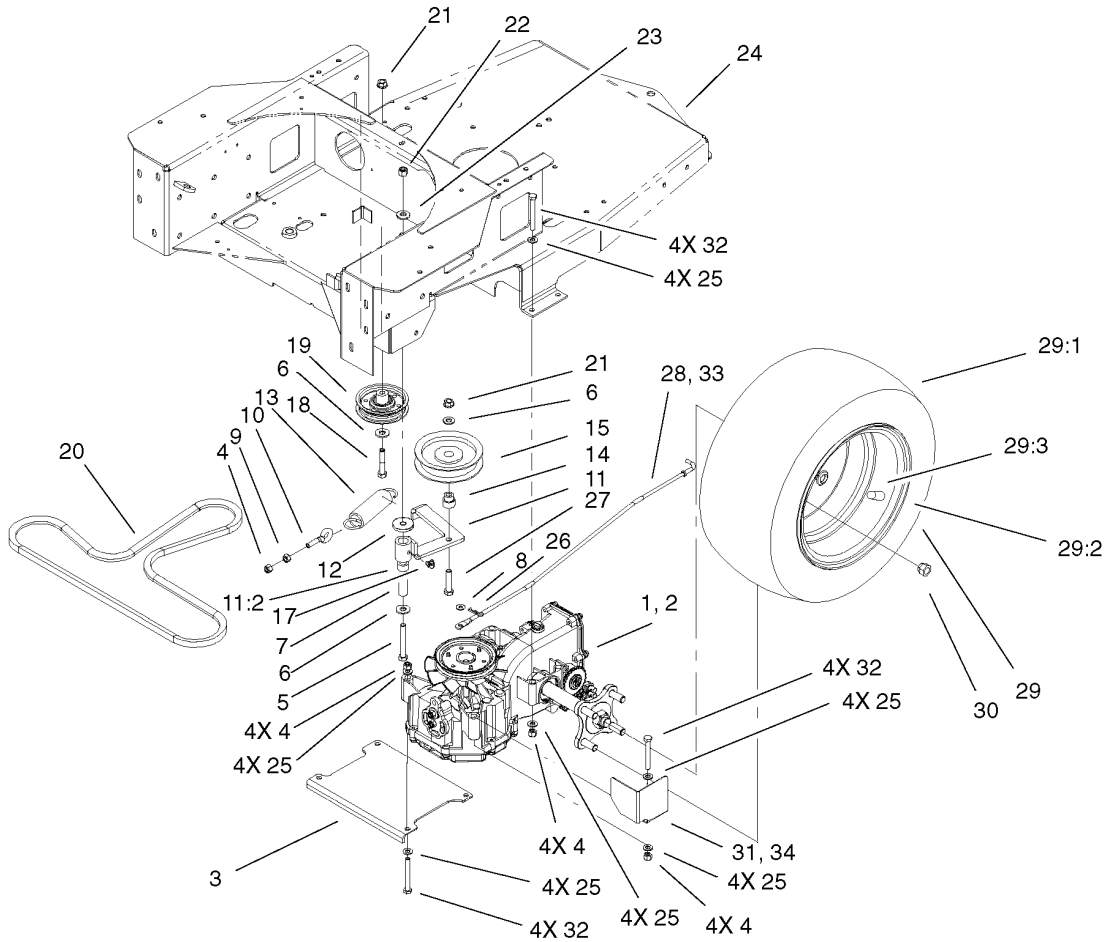
Ref	Part No.	Qty.	Description
1	104-3648	1	Tank-Fuel
2	104-3649	1	Tank-Console
3	3256-23	8	Washer-Flat
4	3253-4	4	Washer-Lock
5	322-3	4	Screw-HH
6	104048	1	Valve-Fuel
7	2412-98	2	Clamp
8	46-6560	1	Bushing
9	104-8010	1	Hose-Fuel
10	88-3980	1	Gas Cap ASM
10:3	88-4010	1	Gasket-Cap, Gas
11	1-633023	4	Stud
12	1-633349	4	Spring-Tank, Fuel
13	3296-47	4	Nut-Lock, NI
14	104-3626	1	Cable-Throttle
15	104-3664-03	1	Panel-Control
16	3250-14	4	Screw-PPH
18	104-8009	1	Decal-Panel, Control
19	105-1854	1	Cover-Conduit
20	614249	1	Strap-Tie

--	--	--	--



Parking Brake Assembly

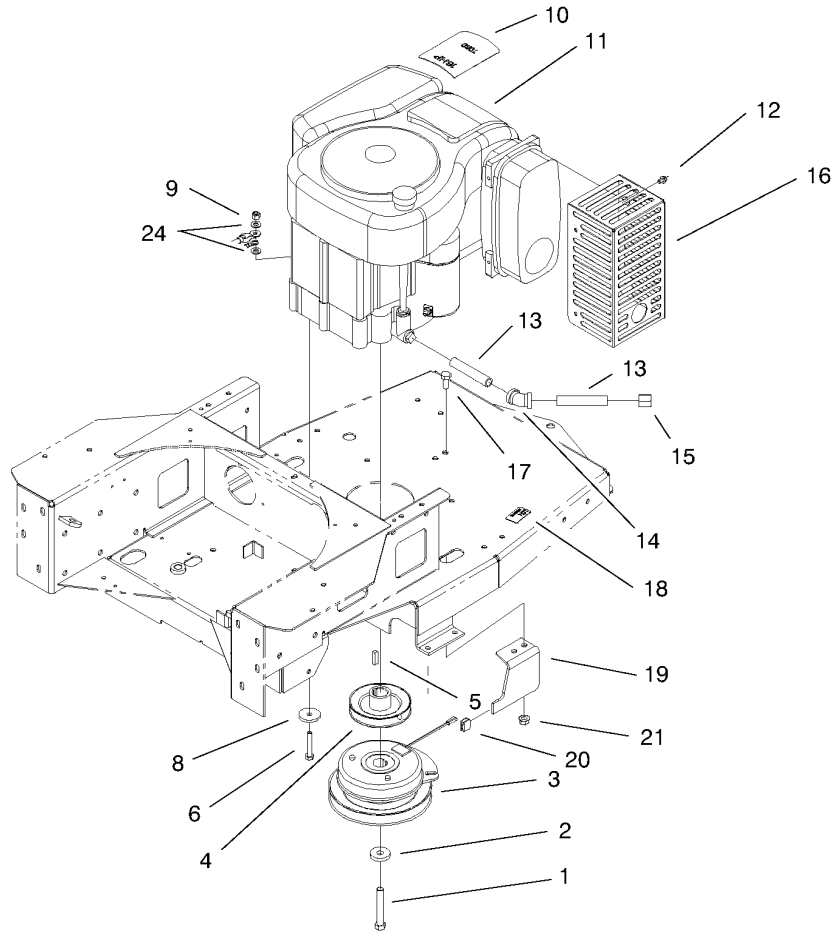
Ref	Part No.	Qty.	Description	Ref	Part No.	Qty.	Description
1	323-4	5	Screw-HH	25	3296-4	2	Nut-Lock
2	98-5975	1	Washer-Belleville				
3	3296-29	4	Nut-Lock, NI				
4	100-7346-03	1	Handle-Brake, Park				
5	1-633268	1	Grip-Lever, Brake				
6	1-633102	2	Bearing-Flange, Side				
7	3256-28	1	Washer-Flat				
8	3290-357	4	Nut-HHF, Whiz				
9	32151-48	1	E-Ring				
10	100-7318	1	Brake Shaft ASM				
11	3272-10	4	Pin-Cotter				
12	104-3675	2	Bracket-Spring, Brake				
13	104-8046	1	Rod-Brake, Upper				
14	3256-24	4	Washer-Flat				
15	104-3670-03	1	Shaft-Brake				
16	88-4730	2	Clamp-Pivot, HOC				
17	322-3	4	Screw-HH				
18	1-806003	2	Pin-Hair				
19	1-808280	2	Pin-Clevis				
20	1-303105	2	Yoke-Adjustable				
21	3219-2	2	Nut-Hex				
22	104-3674	2	Rod-Brake, Upper				
23	38-4520	2	Spring				
24	3256-23	2	Washer-Flat				



Hydro And Belt Drive Assembly

Ref	Part No.	Qty.	Description
1	100-7361	1	Hydro-LH
2	100-7360	1	Hydro-RH
3	100-7317-03	1	Plate-Hydro, Lower
4	3296-29	13	Nut-Lock, NI
5	323-13	1	Screw-HH
6	3256-4	3	Washer-Flat
7	1-603044	1	Bushing
8	3256-1	2	Washer-Flat
9	32128-20	1	Nut-HF
10	55-9420	1	Bolt-Eye
11	104-3614	1	Idler Arm ASM
11:2	1-513034	2	Sleeve-Bearing
12	104-8005	1	Spacer
13	1-603414	1	Spring-Extension
14	1-603496	1	Bushing-Idler
15	1-603843	1	Pulley-Idler
17	302-40	1	Fitting-Grease
18	323-10	1	Screw-HH
19	104-3630	1	Pulley-Idler
20	104-3622	1	Belt-V
21	32128-21	2	Nut-HF
22	3296-39	1	Nut-Lock, NI
23	98-5975	1	Washer-Belleville
24	104-8008	1	Decal-Transport

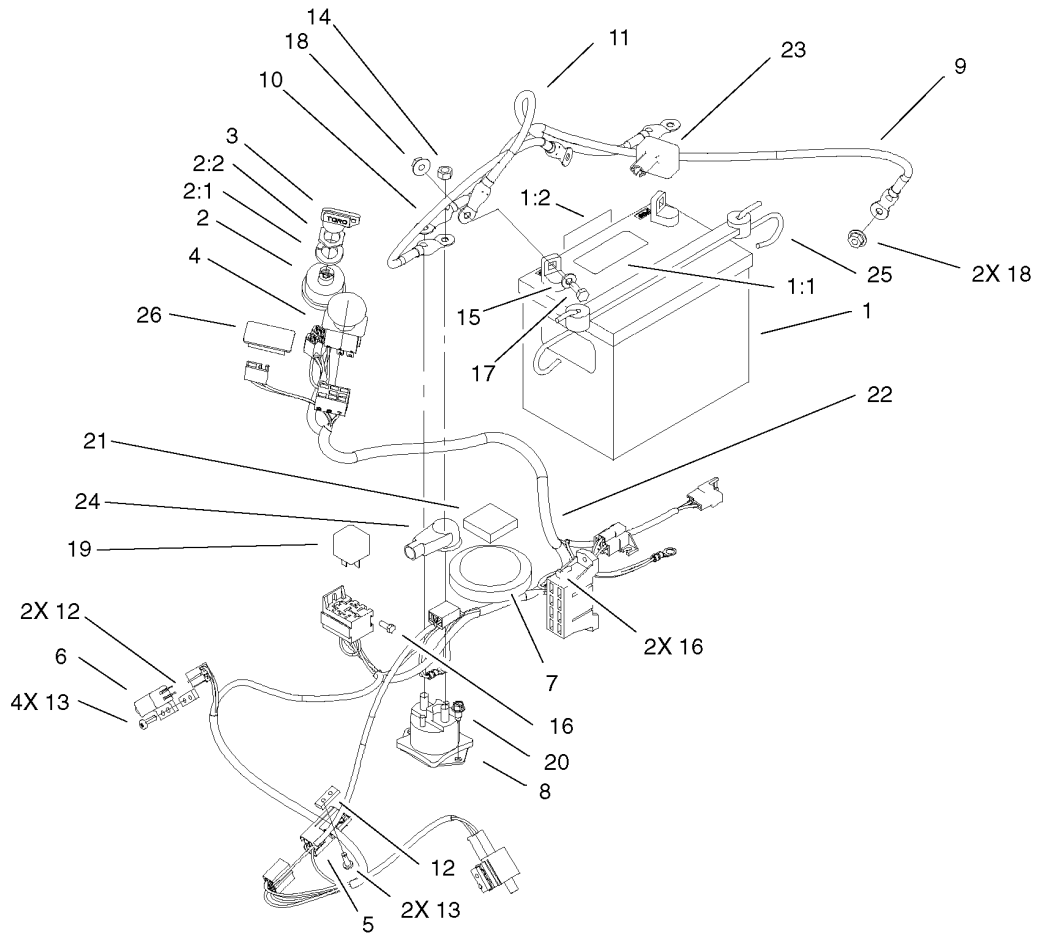
Ref	Part No.	Qty.	Description
25	3256-23	24	Washer-Flat
26	1-806003	2	Pin-Hair
27	323-9	1	Screw-HH
28	104-3669	1	Rod-LH
29		2	Wheel And Tire ASM
29:1	105-1944	1	Tire
29:2	105-1946	1	Wheel
29:3	232-27	1	Stem-Valve
29	105-4070	1	Tube-Inner
30	242-50	8	Nut-Lug
31	104-8013-03	1	Guard-Fan, RH
32	322-13	12	Screw-HH
33	104-3668	1	Rod-RH
34	104-8033-03	1	Guard-Fan, LH



Engine And Clutch Assembly

Ref	Part No.	Qty.	Description
1	3212-12	1	Screw-HH
2	112843	1	Washer
3	104-3624	1	Clutch
4	100-7314	1	Pump Drive Pulley ASM
5	5-7280	1	Key
6	322-9	4	Screw-HH
8	62-7190	4	Spacer-Steel
9	3296-29	4	Nut-Lock, NI
10	104-8011	1	Decal-Engine Briggs And Stratton
11		1	Engine-Briggs And Stratton, 311777-0177-E1
12	99-8445	2	Screw-HWH
13	289-46	2	Nipple-Pipe
14	104-8019	1	Elbow-45 DEG
15	288-10	1	Cap-Pipe
16	104-8038-03	1	Guard-Muffler
17	323-4	2	Screw-HH
18	65-2690	1	Decal-Surface, Hot
19	104-3613-03	1	Stop-Clutch
20	98-5023	1	Bumper
21	32128-21	2	Nut-HF
24	3256-23	5	Washer-Flat

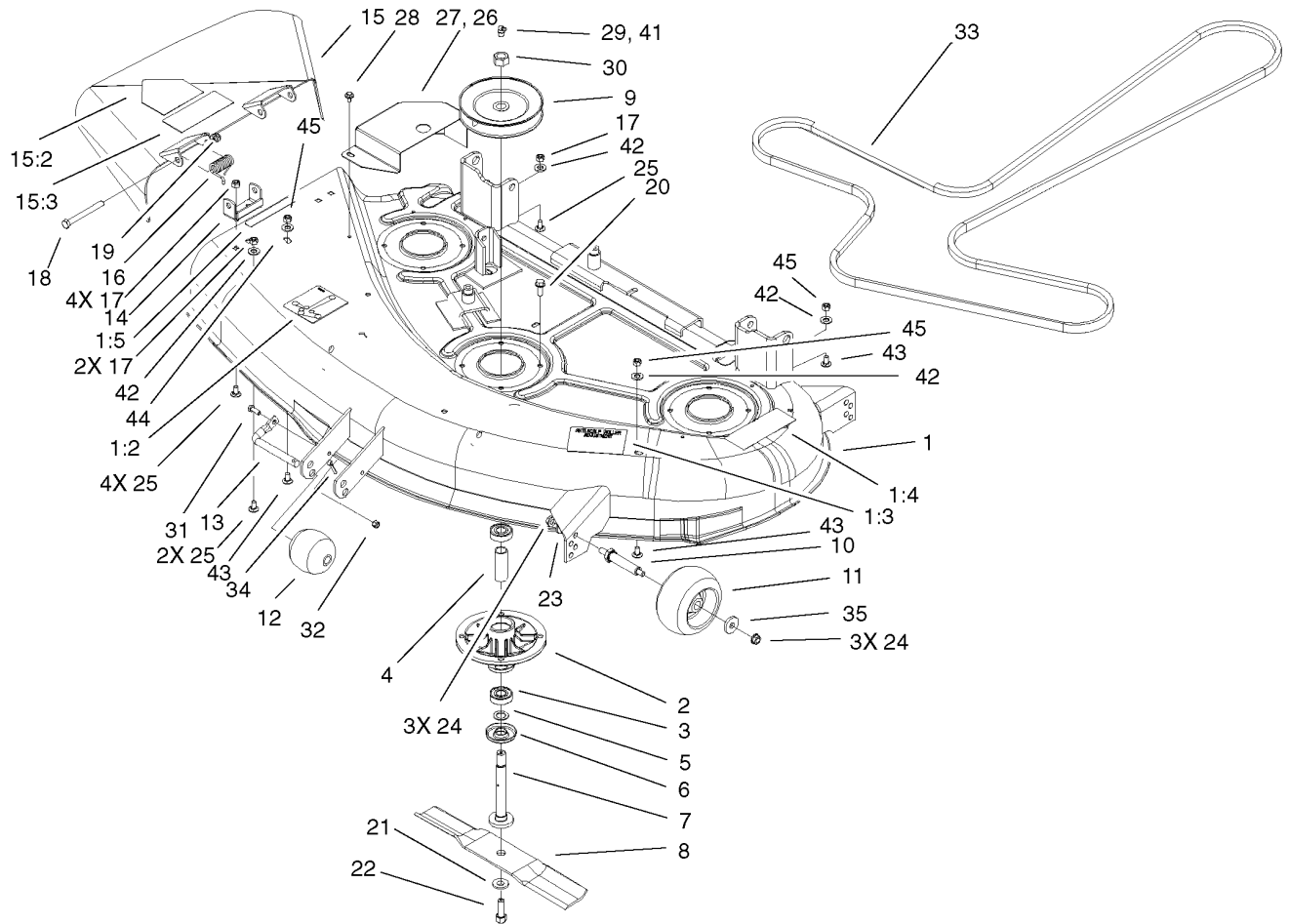
--	--	--	--



Electrical Assembly

Ref	Part No.	Qty.	Description
1	104-2491	1	Battery
1:1	104-4163	1	Decal-Battery
1:2	104-5091	1	Decal-Battery
2	88-9830	1	Key Switch ASM
2:1	3254-5	1	Washer-Tooth
2:2	218-461	1	Nut-HH
3	63-8360	1	Key-Ignition
4	95-7489	1	Switch-PTO
5	1-633111	1	Switch
6	65-7410	2	Switch-Pole, Single
7	100-3524	1	Switch-Seat
8	28-4210	1	Solenoid
9	28-3891	1	Wire-Solenoid/Starter
10	93-1189	1	Wire ASM
11	93-0324	1	Cable
12	1-633181	3	Plate-Tapped
13	32144-8	6	Screw-PPHTF
14	32149-1	2	Nut-Keps
15	3256-22	2	Washer-Flat
16	32144-1	3	Screw-Taptite
17	321-4	2	Screw-HH
18	32128-33	3	Nut-HF
19	98-7249	1	Relay
20	32144-4	2	Screw-HWH

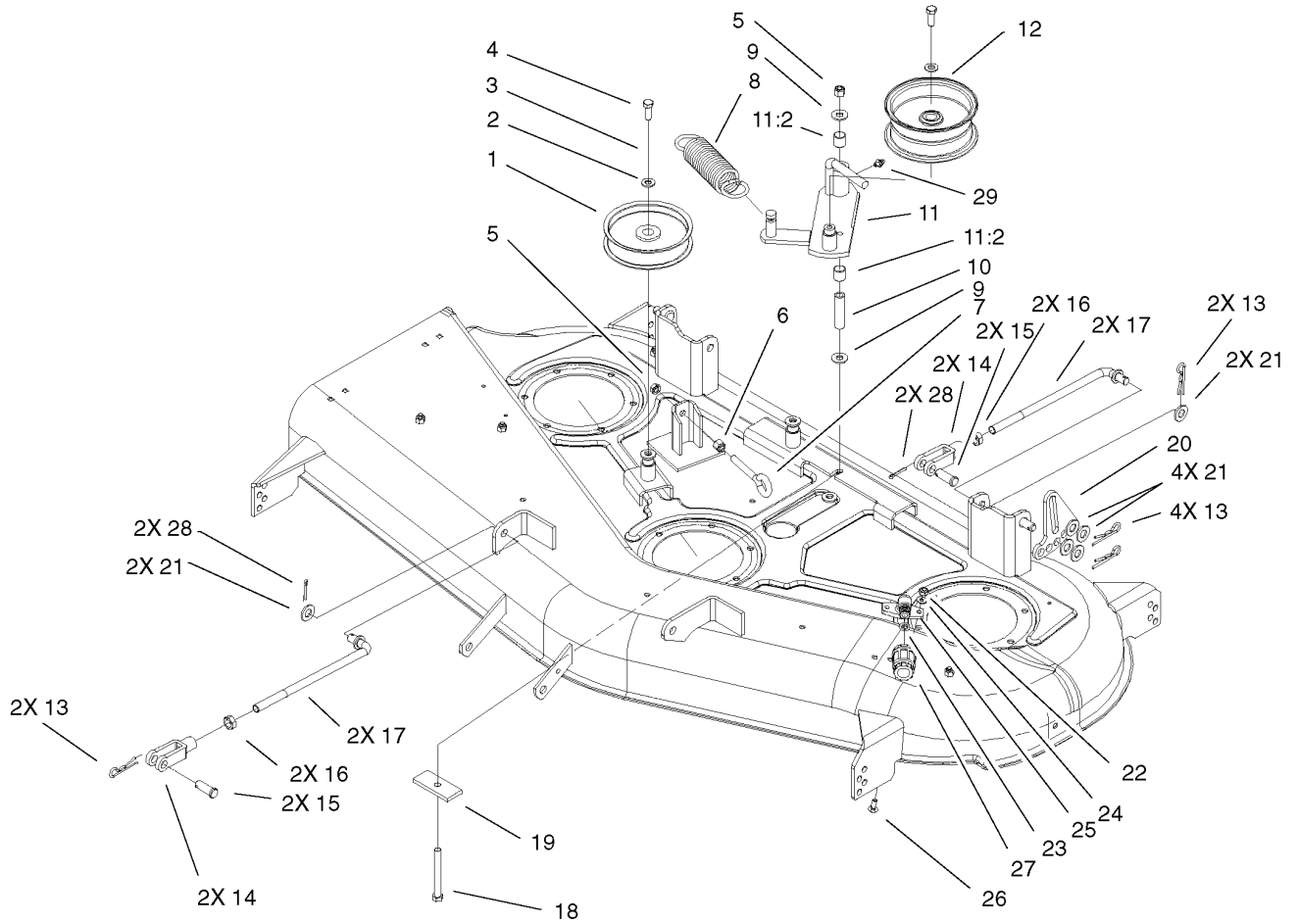
Ref	Part No.	Qty.	Description
21	104-2488	1	Foam-Switch, Seat
22	104-3687	1	Harness-Wire
23	28-8080	1	Boot-Terminal
24	93-3190	1	Boot-Insulator, Terminal
25	104-2466	1	Holddown-Battery
26	99-7420	1	Plug-Hole



44 Inch Deck Assembly

Ref	Part No.	Qty.	Description
1	105-1948	1	44 Inch Deck ASM
1:2	99-3943	1	Decal-Routing, Belt
1:3	98-3798	1	Decal-Wheel, Gage
1:4	92-7108	1	Decal-Danger
1:5	92-7109	1	Decal-Caution
2	88-4510	3	Housing-Spindle
3	109966	6	Bearing-Ball
4	94-7959	3	Spacer - Bearing
5	80-4380	3	Spacer
6	80-4360	3	Shield-Bearing
7	94-7547	3	Shaft-Center, Spindle
8	54-0010-03	3	Blade
9	100-7321	3	Pulley ASM
10	99-2842	3	Spacer
11	68-2730	3	Wheel-Gage
12	29-4820	1	Roller
13	118960-03	1	Shaft-Roller
14	29-5590-03	2	Bracket-Pivot
15	100-8003	1	Deflector/Decal ASM
15:2	93-1122	1	Decal-Danger
15:3	92-7108	1	Decal-Danger
16	40-6230	2	Spring
17	3296-29	7	Nut-Lock, NI
18	3211-15	2	Screw-HH

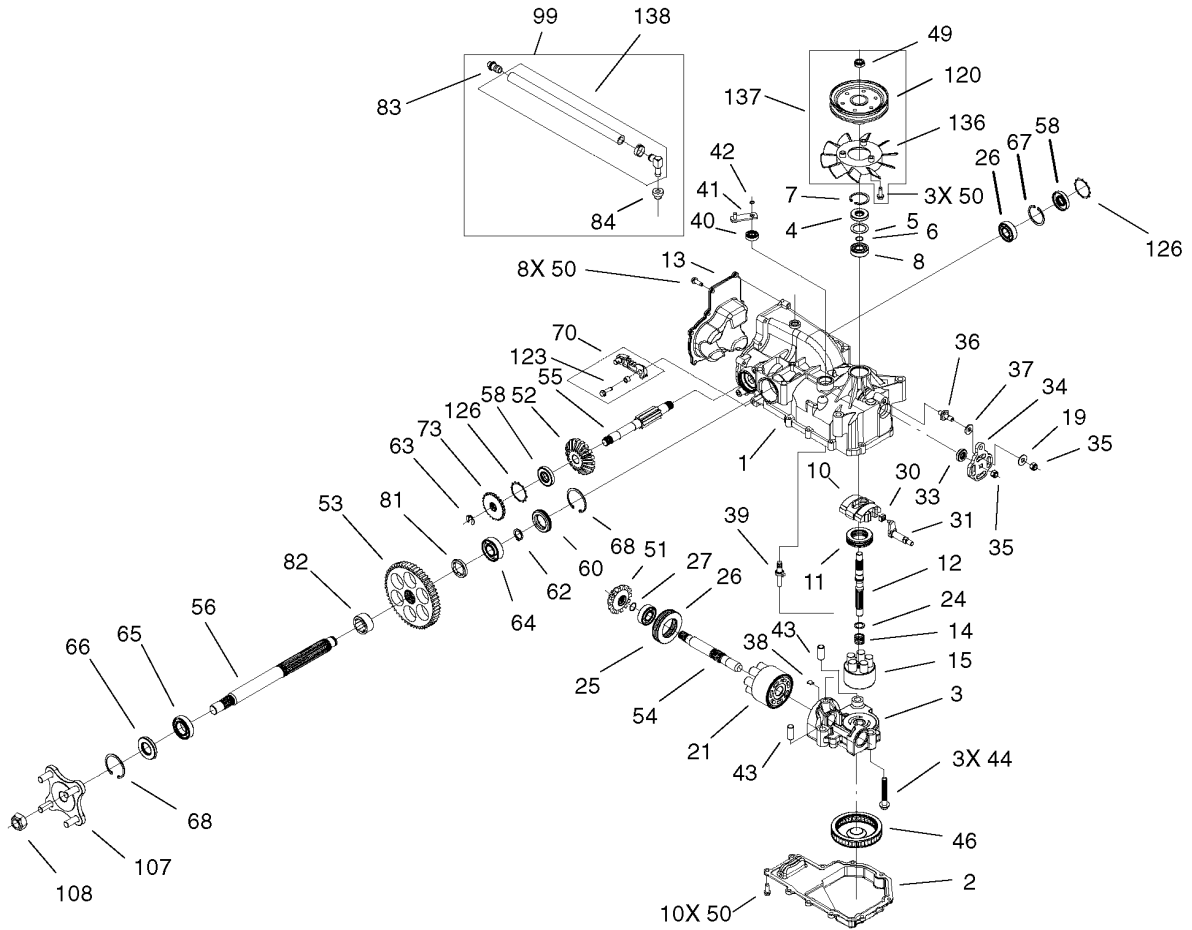
Ref	Part No.	Qty.	Description
19	3296-5	2	Nut-Lock
20	32144-41	12	Screw-Taptite
21	3290-465	3	Washer-Belleville
22	26-0671	3	Screw-Blade
23	98-5975	3	Washer-Belleville
24	3290-357	6	Nut-HHF, Whiz
25	3230-18	7	Screw-CARR
26	104-3646-01	1	Cover-Belt, LH
27	104-3645-01	1	Cover-Belt, RH
28	46-8560	4	Screw-HHF
29	302-5	2	Fitting-Grease
30	3219-6	3	Nut-Hex
31	321-4	1	Screw-HH
32	3296-42	1	Nut-Lock, NI
33	98-3780	1	V-Belt-Drive
34	3272-21	1	Pin-Cotter
35	1-373034	3	Washer
41	302-60	1	Fitting-Grease, 90 DEG
42	3256-24	4	Washer-Flat
43	3231-21	3	Screw-CARR
44	3256-5	1	Washer-Flat
45	3296-39	2	Nut-Lock, NI



44 Inch Deck Belt Drive and Lift Assembly

Ref	Part No.	Qty.	Description
1	1-613098	2	Pulley-Idler
2	3256-24	3	Washer-Flat
3	98-5975	3	Washer-Belleville
4	323-6	3	Screw-HH
5	3296-39	2	Nut-Lock, NI
6	3217-7	1	Nut-Hex
7	94-2547	1	Bolt-Eye
8	1-633151	1	Spring-Extension
9	1-809107	2	Washer-Hardened
10	1-603384	1	Bushing-Pivot, Idler
11	99-3879	1	Idler Arm ASM
11:2	1-513034	2	Sleeve-Bearing
12	1-413099	1	Pulley-Idler
13	1-806005	8	Pin-Hair
14	100-7338	4	Clevis
15	104-3634	4	Pin-Clevis
16	3220-5	4	Nut-Jam
17	104-8047	4	Rod-Trunion
18	1-800805	1	Screw-HH
19	104-8037-01	1	Plate-Bolt, Retainer
20	104-3699-01	2	Link-HOC, Adjusting
21	3256-26	12	Washer-Flat
22	3296-16	2	Nut-Lock, NI
23	46-6290	1	O-Ring

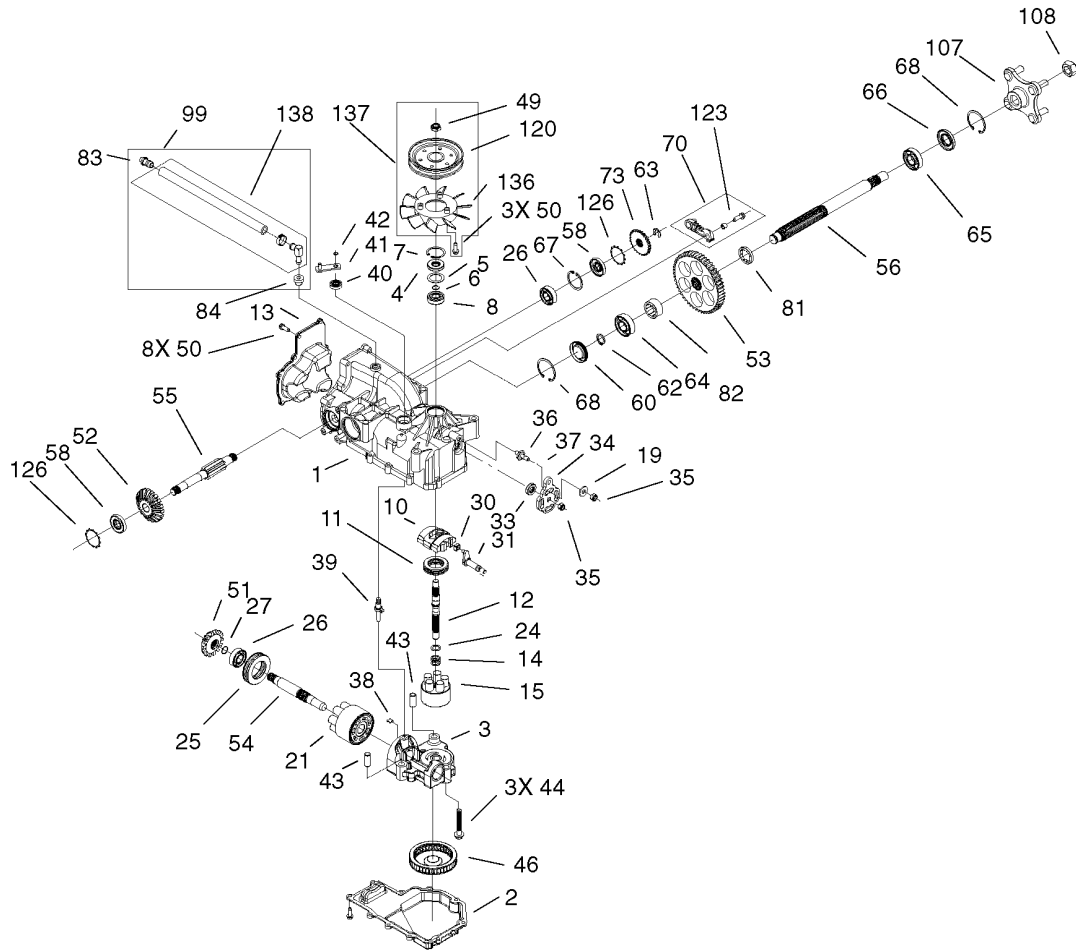
Ref	Part No.	Qty.	Description
24	3256-1	2	Washer-Flat
25	95-2747	1	Fitting-Washout
26	3229-1	2	Screw-CARR
27	95-3270	1	Connector-Hose
28	3272-10	4	Pin-Cotter
29	302-19	1	Fitting-Grease



Right Hand Hydro Transaxle Assembly No. 100-7360

Ref	Part No.	Qty.	Description
1	105-1867	1	Main Housing Kit
2	105-1868	1	Housing-Lower
3	105-1869	1	Center Section Kit ASM
4	92-6543	1	Seal-Lip
5	104-2104	1	Spacer
6	94-1902	1	Ring-Wire, Retaining
7	94-1903	1	Ring-Retaining
8	94-1904	1	Bearing-Shaft, Ball
10	94-1907	1	Swashplate-Variable
11	94-6922	1	Bearing-Thrust
12	104-5067	1	Shaft-Input
13	105-1870	1	Cover-Back
14	94-1936	1	Spring-Block
15	104-2106	1	Cylinder Block ASM
19	104-2146	1	Washer
21	94-1913	1	Cylinder Block ASM
24	94-1937	1	Washer-Thrust, Block
25	94-6923	1	Bearing-Thrust
26	104-5311	2	Bearing-Ball
27	104-5307	1	Ring-Retaining
30	94-1910	1	Guide-Slot
31	104-2112	1	Trunnion ASM
33	92-6544	1	Seal-Lip
34	105-1871	1	Arm-Control

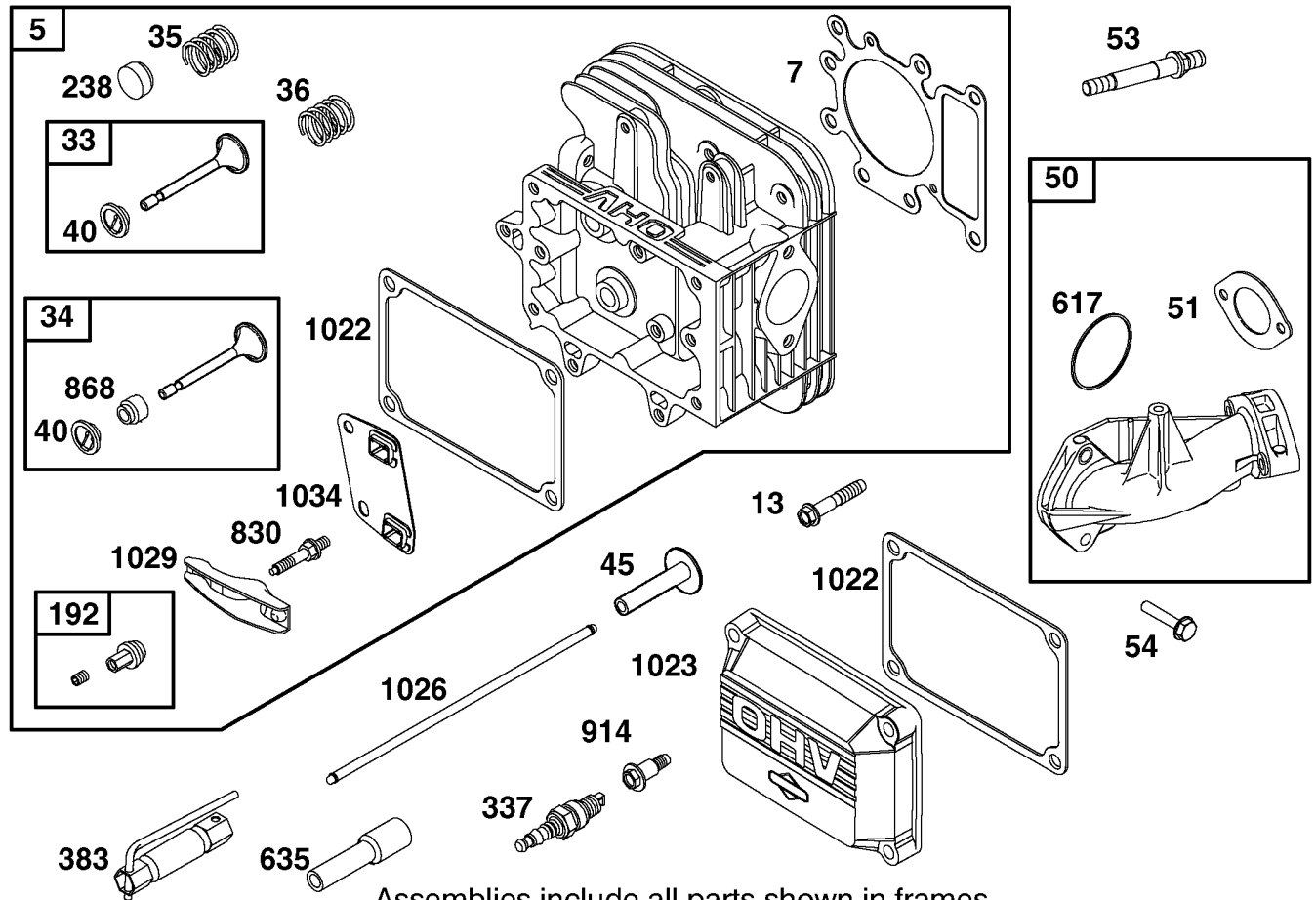
Ref	Part No.	Qty.	Description
35	105-1872	2	Nut
36	104-2116	1	Stud
37	105-1873	1	Puck-Friction
38	94-6925	1	Plate-Bypass
39	94-1914	1	Actuator-Bypass
40	92-6545	1	Seal-Lip
41	104-2117	1	Arm-Bypass
42	936109	1	Ring-Retaining
43	94-1927	2	Pin
44	94-6926	3	Bolt
46	105-1874	1	Filter
49	105-1875	1	Nut-Lock
50	104-2120	21	Screw
51	105-1876	1	Gear-Bevel, 14T
52	105-1877	1	Gear-Bevel, 19T
53	105-1878	1	Gear-Bevel, 53T
54	105-1879	1	Shaft-Motor
55	105-1880	1	Shaft-Brake
56	105-1881	1	Shaft-Axle
58	104-5310	2	Seal-Lip
60	105-1882	1	Plug-Side Seal
62	105-1883	1	Ring-Axle, Retaining
63	105-1884	1	Ring-Retaining
64	105-1885	1	Bearing-Ball



Left Hand Hydro Transaxle Assembly No. 100-7361

Ref	Part No.	Qty.	Description
1	105-1867	1	Main Housing Kit
2	105-1868	1	Housing-Lower
3	105-1869	1	Center Section Kit ASM
4	92-6543	1	Seal-Lip
5	104-2104	1	Spacer
6	94-1902	1	Ring-Wire, Retaining
7	94-1903	1	Ring-Retaining
8	94-1904	1	Bearing-Shaft, Ball
10	94-1907	1	Swashplate-Variable
11	94-6922	1	Bearing-Thrust
12	104-5067	1	Shaft-Input
13	105-1870	1	Cover-Back
14	94-1936	1	Spring-Block
15	104-2106	1	Cylinder Block ASM
19	104-2146	1	Washer
21	94-1913	1	Cylinder Block ASM
24	94-1937	1	Washer-Thrust, Block
25	94-6923	1	Bearing-Thrust
26	104-5311	2	Bearing-Ball
27	104-5307	1	Ring-Retaining
30	94-1910	1	Guide-Slot
31	104-2112	1	Trunnion ASM
33	92-6544	1	Seal-Lip
34	105-1871	1	Arm-Control

Ref	Part No.	Qty.	Description
35	105-1872	2	Nut
36	104-2116	1	Stud
37	105-1873	1	Puck-Friction
38	94-6925	1	Plate-Bypass
39	94-1914	1	Actuator-Bypass
40	92-6545	1	Seal-Lip
41	104-2117	1	Arm-Bypass
42	936109	1	Ring-Retaining
43	94-1927	2	Pin
44	94-6926	3	Bolt
46	105-1874	1	Filter
49	105-1875	1	Nut-Lock
50	104-2120	21	Screw
51	105-1876	1	Gear-Bevel, 14T
52	105-1877	1	Gear-Bevel, 19T
53	105-1878	1	Gear-Bevel, 53T
54	105-1879	1	Shaft-Motor
55	105-1880	1	Shaft-Brake
56	105-1881	1	Shaft-Axle
58	104-5310	2	Seal-Lip
60	105-1882	1	Plug-Side Seal
62	105-1883	1	Ring-Axle, Retaining
63	105-1884	1	Ring-Retaining
64	105-1885	1	Bearing-Ball

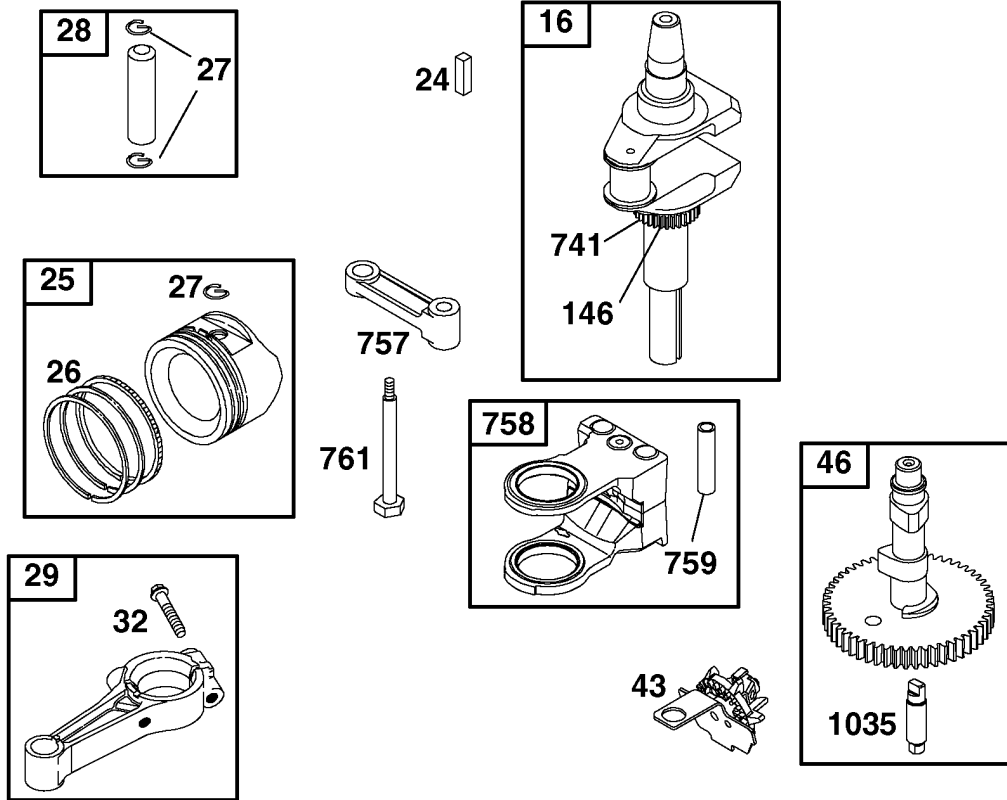


Assemblies include all parts shown in frames.

Cylinder Head Assembly Briggs And Stratton 311777-0117-E1

Ref	Part No.	Qty.	Description
5	690188	1	Cylinder Head
57	692410	1	Gasket-Cylinder Head
7			
13	690360	1	Screw
33	495856	1	Valve-Exhaust
34	495857	1	Valve-Intake
35	691279	1	Spring-Valve
36	691279	1	Spring-Valve
40	691752	1	Retainer-Valve
45	690564	1	Tappet-Valve
50	690193	1	Manifold-Intake
51	692137	1	Gasket-Intake
53	690227	1	Stud
54	691148	1	Screw
192	691986	1	Adjustor-Arm, Rocker
238	691843	1	Cap-Valve
337	491055	1	Plug-Spark
383	89838	1	Wrench-Plug, Spark
617	692138	1	Seal-O Ring
635	691909	1	Boot-Spark Plug
830	691095	1	Stud-Arm, Rocker
868	690968	1	Seal-Valve

Ref	Part No.	Qty.	Description
914	690960	1	Screw
1022	272475	1	Gasket-Cover, Rocker
7			
1023	692492	1	Cover-Rocker
1026	692003	1	Rod-Push
5	692011	1	Rod-Push
1029	691751	1	Arm-Rocker
1034	690822	1	Guide-Rod, Push



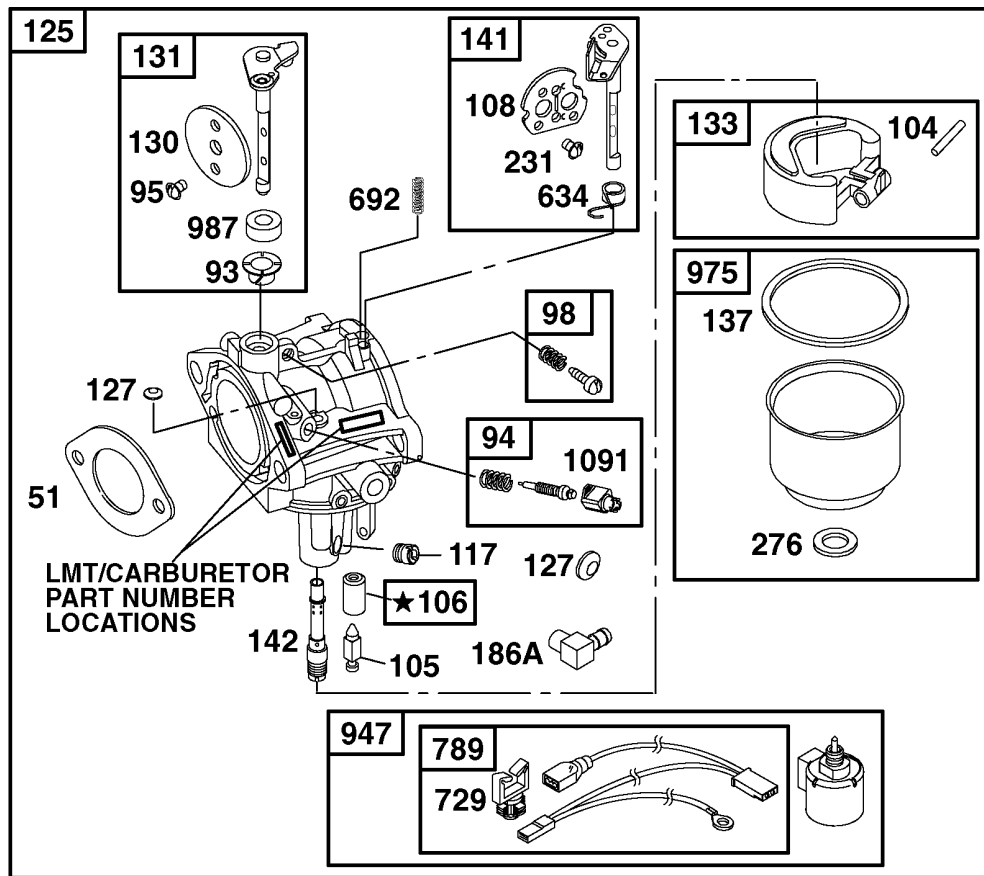
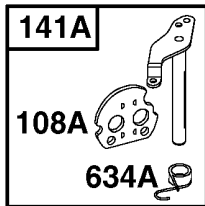
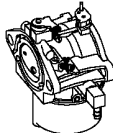
Assemblies include all parts shown in frames.

Crankshaft Assembly Briggs And Stratton 311777-0117-E1

Ref	Part No.	Qty.	Description
16	690136	1	Crankshaft
24	222698	1	Key
25	692271	1	Piston Assembly (Standard)
25	692272	1	Piston Assy. (.010" O.S.)
25	692273	1	Piston Assy. (.020" O.S.)
25	692274	1	Piston Assy. (.030" O.S.)
26	690162	1	Ring Set (STD)
26	690164	1	Ring Set (.010" O.S.)
26	690166	1	Ring Set (.020" O.S.)
26	690168	1	Ring Set (.030" O.S.)
27	691299	1	Lock-Piston Pin
28	498319	1	Pin-Piston (STD.)
28	498320	1	Pin-Piston (.005 O.S.)
29	692419	1	Connecting Rod (STD)
29	499940	1	Connecting Rod (.020" Undersize)
32	692852	1	Screw
43	691968	1	Slinger-Governor, Oil
46	693450	1	Camshaft
146	691639	1	Key-Timing
741	691284	1	Gear-Timing
757	691714	1	Countweight Link
758	692423	1	Counterweight
759	691239	1	Counterweight Pin
761	691096	1	Screw (Counterweight)

Ref	Part No.	Qty.	Description
1035	693784	1	Shaft-Pump, Oil

WALBRO



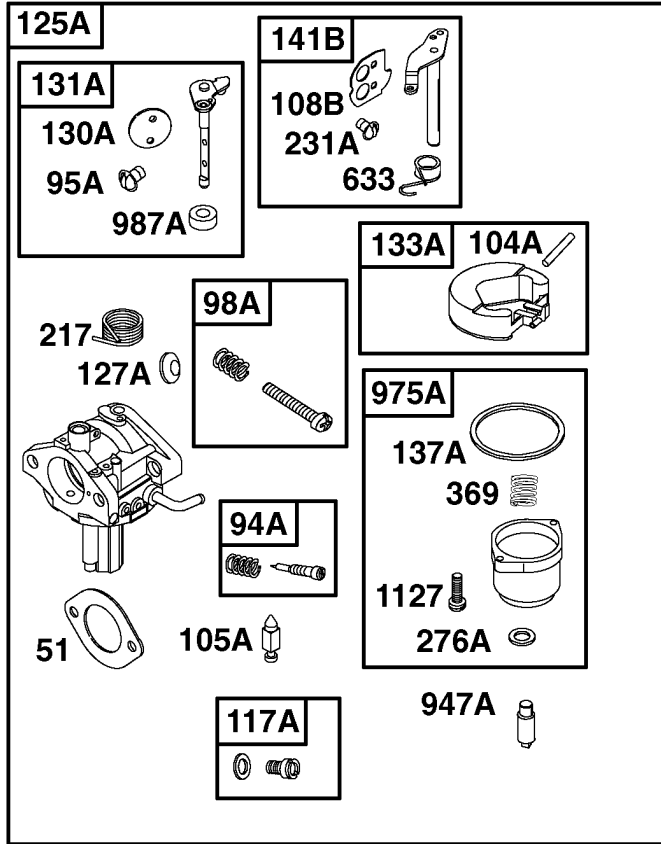
★ REQUIRES SPECIAL TOOLS TO INSTALL. SEE REPAIR INSTRUCTION MANUAL

Assemblies include all parts shown in frames.

Walbro Carburetor Assembly Briggs And Stratton 311777-0117-E1

Ref	Part No.	Qty.	Description
③④51 ⑤⑥	692137	1	Gasket-Intake
③④93	690602	1	Bushing-Shaft, Throttle
③94	498030	1	Idle Mixture Kit
③④95	691636	1	Screw
③98	495800	1	Idle Speed Kit
③④104	690525	1	Pin-Hinge, Carburetor Float
③④105	231855	1	Valve-Needle, Float
③④106	691780	1	Seat-Inlet
③108	690464	1	Valve-Choke
③108A	692344	1	Valve-Choke
③④117	692408	1	Jet-Main (Standard)
⑤	692411	1	Jet-Main (High Altitude)
③125	693194	1	Carburetor
③④127	695005	1	Plug-Welch
③130	691750	1	Valve-Throttle
③131	494379	1	Throttle Shaft Kit
③133	494381	1	Float-Carburetor
③④137 ⑥	281165	1	Gasket-Bowl, Float
③141	495097	1	Choke Shaft Kit
③141A	495931	1	Choke Shaft Kit
③④142	692412	1	Nozzle-Carburetor
③186A	692317	1	Connector-Hose

Ref	Part No.	Qty.	Description
③④231	691636	1	Screw
③④276 ⑥	692255	1	Washer-Sealing
③④634	690801	1	Spring / Seal ASM
③④634A	690802	1	Spring And Seal ASM
③692	690572	1	Spring-Detent
③729	691335	1	Clip-Wire
③789	692037	1	Wiring-Harness
③947	497972	1	Solenoid-Fuel
③④987	691326	1	Seal-Shaft, Throttle
③1091	691333	1	Cap-Limiter



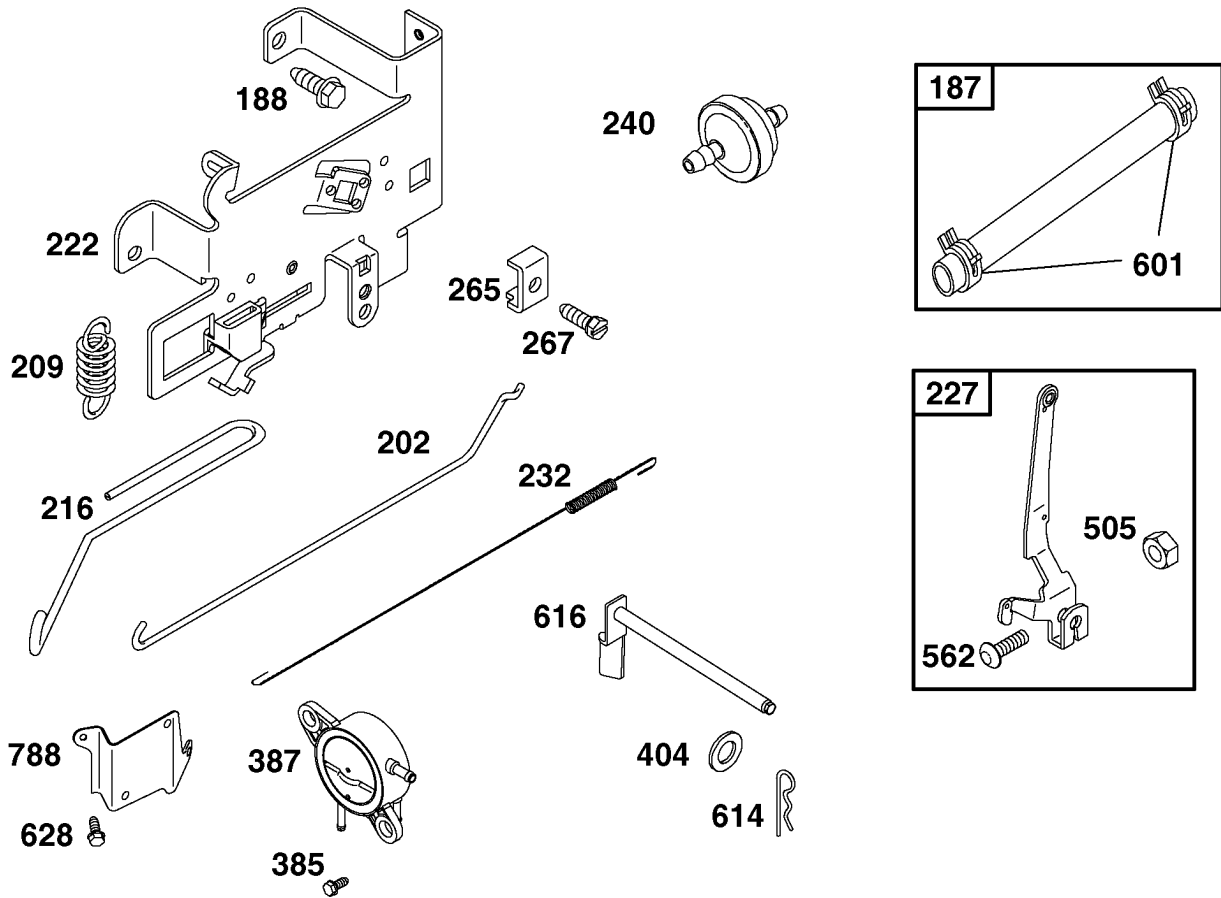
★ REQUIRES SPECIAL TOOLS TO INSTALL. SEE REPAIR INSTRUCTION MANUAL.

Assemblies include all parts shown in frames.

Nikki Carburetor Assembly Briggs And Stratton 311777-0117-E1

Ref	Part No.	Qty.	Description
③④51 ⑤⑥	692137	1	Gasket-Intake
③94A	695425	1	Idle Mixture Kit
③④95A	690718	1	Screw
③98A	695408	1	Idle Speed Kit
③④104A	694918	1	Pin-Hinge, Float
③④105A	694922	1	Float Needle Valve
③108B	695419	1	Valve-Choke
③④117A	695415	1	Jet-Main (Standard)
③④	695416	1	Jet-Main (High Altitude)
③125A		1	Carburetor (Service With Walbro Carburetor)
③④127A	690727	1	Plug-Welch
③130A	695418	1	Valve-Throttle
③131A	695421	1	Kit-Throttle Shaft
③133A	694914	1	Carburetor Float ASM
③④137A ⑥	695426	1	Gasket-Float Bowl
③141B	695420	1	Choke Shaft Kit
③④231A	690718	1	Screw
③④276A ⑥	695410	1	Washer-Sealing
③633	695414	1	Seal-Shaft, Choke And Throttle
③947A	695423	1	Solenoid-Fuel
③975A	695417	1	Bowl-Float

Ref	Part No.	Qty.	Description
③④987A	690998	1	Seal-Shaft, Choke
③1127	695407	1	Screw

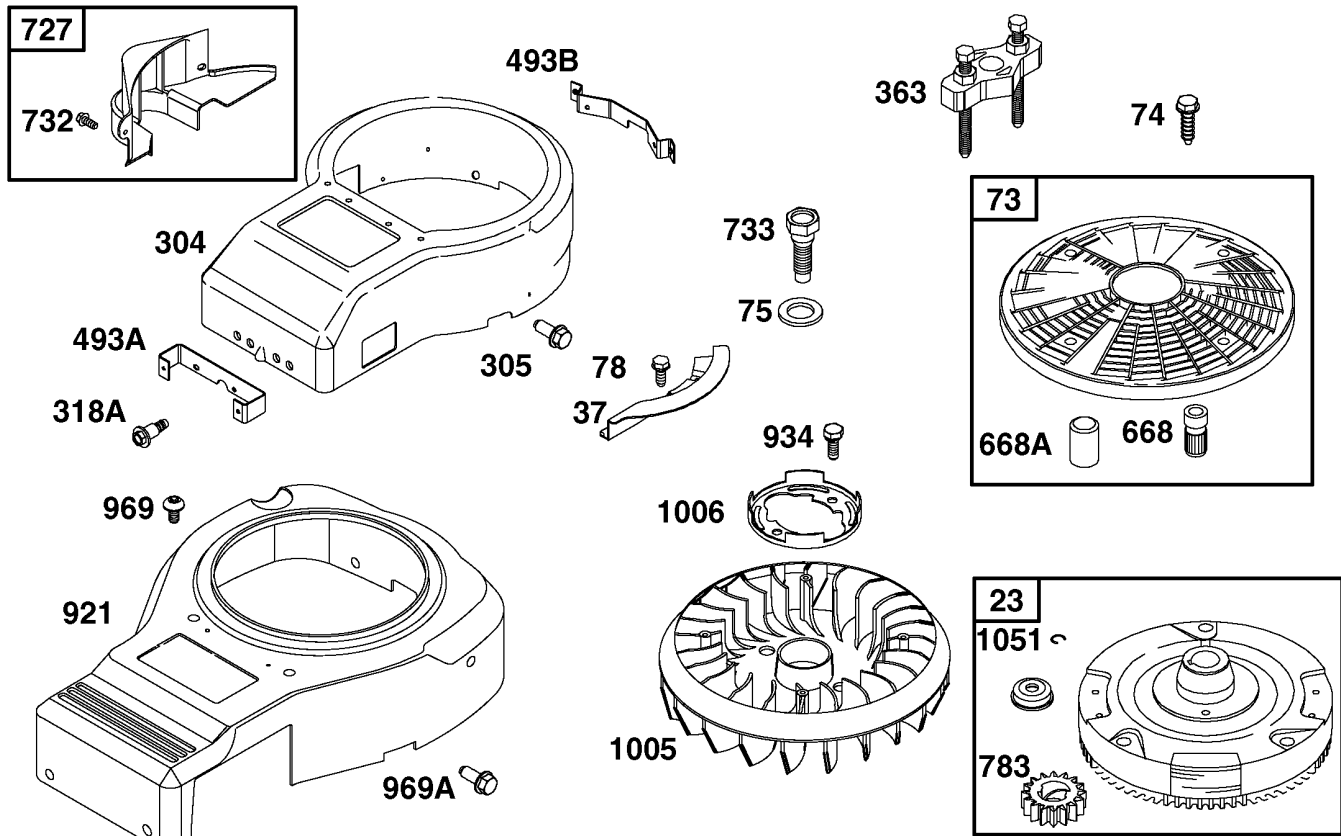


Assemblies include all parts shown in frames.

Governor Assembly Briggs And Stratton 311777-0117-E1

Ref	Part No.	Qty.	Description
187	691050	1	Line-Fuel (Cut To Required Length)
188	691693	1	Screw
202	691841	0	Link-Governor, Mechanical
209	692208	1	Spring-Governor
216	691840	1	Link-Choke
222	694042	1	Bracket-Control
227	691374	1	Lever-Control, Governor
232	691842	1	Spring-Link, Governor
240	394358	1	Filter-Fuel
265	691024	1	Clamp-Casing
267	690804	1	Screw
385	690960	1	Screw
387	808656	1	Pump-Fuel
404	691691	1	Washer
505	691251	1	Nut
562	691119	1	Screw
601	95162	1	Clamp-Hose
614	691620	1	Pin-Cotter
616	692012	1	Crank-Governor
628	690661	1	Screw
788	692133	1	Bracket-Fuel Pump

--	--	--	--



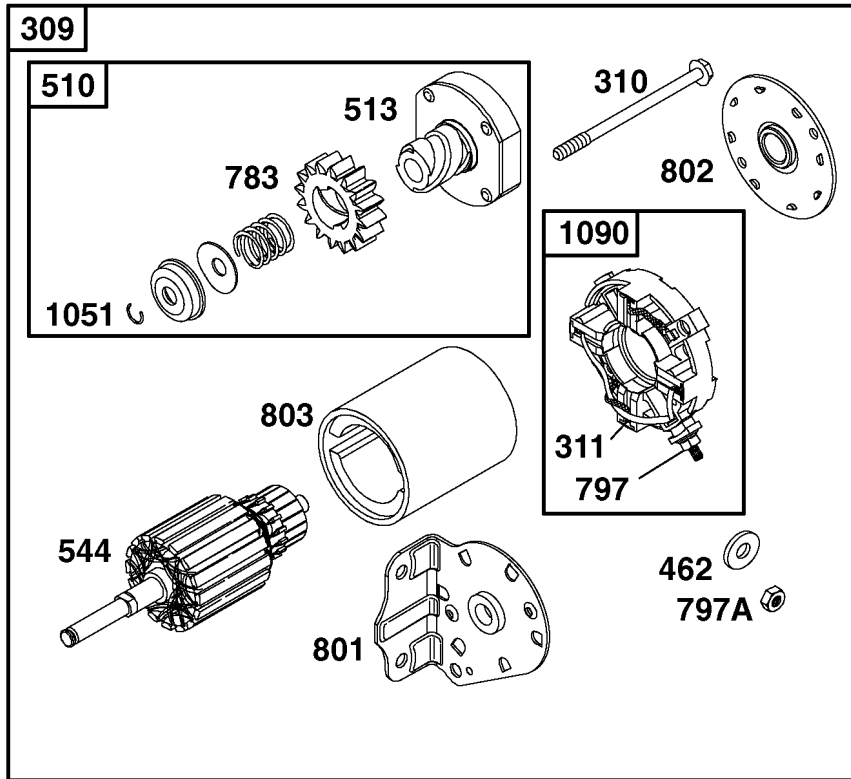
1036 LABEL-EMISSIONS

Assemblies include all parts shown in frames.

Blower Housing Assembly Briggs And Stratton 311777-0117-E1

Ref	Part No.	Qty.	Description
●23	693556	1	Flywheel
●37	690456	1	Flywheel Guard
●73	494439	1	Screen-Rotating
●74	691674	1	Screw
●75	690582	1	Washer-Flywheel
●78	690661	1	Screw
●304	690497	1	Blower Housing
●305	690960	1	Screw
●318A	692127	1	Screw (Fuel Tank)
●363	19203	1	Puller-Flywheel
●493A	690493	1	Bracket-Mounting (Front)
●493B	690494	1	Bracket-Mounting (Rear)
●668	691500	1	Spacer
●668A	691215	1	Spacer
●727	490324	1	Cover-Starter
●732	691002	1	Screw (Dipstick Tube)
●733	691658	1	Screw-Crankshaft Extension
●783	693713	1	Gear-Pinion
●921	692679	1	Blower Housing Cover
●934	691058	1	Screw
●969	690365	1	Screw-Torxé
●969A	690960	1	Screw
●1005	695492	1	Fan-Flywheel
●1006	690452	1	Retainer-Fan

Ref	Part No.	Qty.	Description
●1036	695700	1	Label-Emission
●1051	691265	1	Ring-Retaining

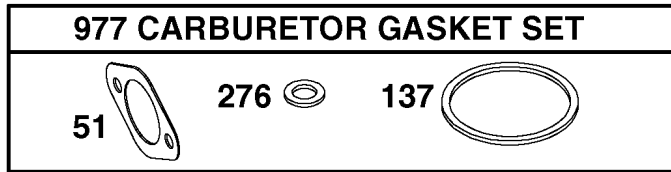
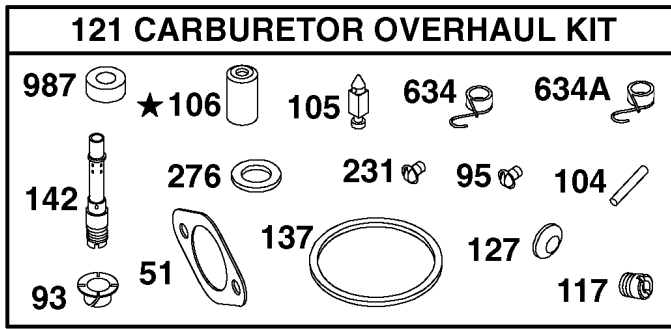


Assemblies include all parts shown in frames.

Starter Assembly Briggs And Stratton 311777-0117-E1

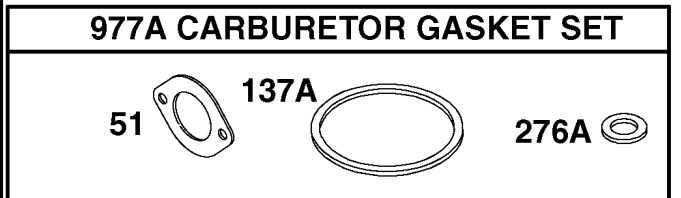
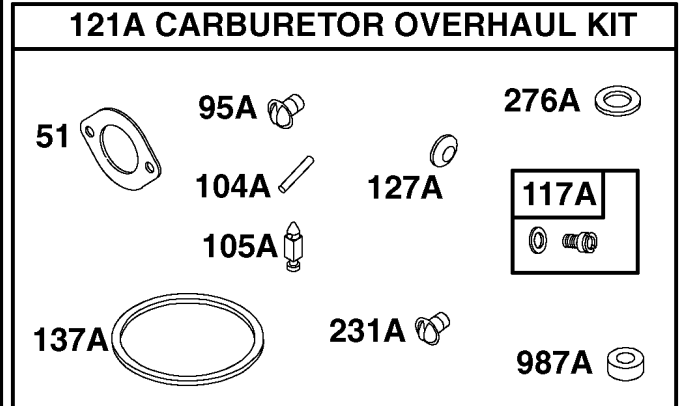
Ref	Part No.	Qty.	Description
309	693551	1	Motor-Starter
310	690323	1	Bolt
311	497608	1	Brush Set
462	691261	1	Washer
510	693699	1	Drive-Starter
513	692024	1	Clutch-Drive
544	692034	1	Armature-Starter
697	690372	1	Screw
783	693713	1	Gear-Pinion
797	693167	1	Nut
797A	691029	1	Nut
801	691429	1	Cap-Drive
802	691286	1	Cap-End
803	693757	1	Housing-Starter
1051	691265	1	Ring-Retaining
1090	691293	1	Retainer-Brush

WALBRO



★ REQUIRES SPECIAL TOOLS TO INSTALL. SEE REPAIR INSTRUCTION MANUAL.

NIKKI



Assemblies include all parts shown in frames.

Carburetor Overhaul Kit Assembly Briggs And Stratton 311777-0117-E1

Ref	Part No.	Qty.	Description
③④51 ⑤⑥	692137	1	Gasket-Intake
③④93	690602	1	Bushing-Shaft, Throttle
③④95	691636	1	Screw
③④95A	690718	1	Screw
③④104	690525	1	Pin-Hinge, Carburetor Float
③④104A	694918	1	Pin-Hinge, Float
③④105	231855	1	Valve-Needle, Float
③④105A	694922	1	Float Needle Valve
③④106	691780	1	Seat-Inlet
③④117	692408	1	Jet-Main (Standard)
③④117A	695415	1	Jet-Main (Standard)
③④	695416	1	Jet-Main (High Altitude)
⑤121	690191	1	Carburetor Kit
⑤121A	695427	1	Kit-Carburetor Overhaul
③④127	695005	1	Plug-Welch
③④127A	690727	1	Plug-Welch
③④137 ⑤⑥	281165	1	Gasket-Bowl, Float
③④137A ⑤⑥	695426	1	Gasket-Float Bowl
③④142	692412	1	Nozzle-Carburetor
③④231	691636	1	Screw
③④231A	690718	1	Screw

Ref	Part No.	Qty.	Description
③④276	692255	1	Washer-Sealing
③④276A ⑤⑥	695410	1	Washer-Sealing
③④634	690801	1	Spring / Seal ASM
③④634A	690802	1	Spring And Seal ASM
⑤977	690192	1	Carburetor Gasket Set
⑤977A	695428	1	Set-Carburetor Gasket
③④987	691326	1	Seal-Shaft, Throttle
③④987A	690998	1	Seal-Shaft, Choke

