



Z16-44 TimeCutter™ Z Riding Mower

Model No. 74501 - 220000001 and up.

Parts Catalog

Ordering Replacement Parts

To order replacement parts, please supply the part number, the quantity, and the description of each part desired.

Understanding Reference Numbers

Each identified part in an illustration has a reference number. The reference number for a part also appears in the parts list, along with other information about the part.

This catalog uses two special reference number formats, one to indicate parts in a service assembly and another to indicate the quantity of a given part in an illustration.

Service Assembly Reference Numbers

Parts in service assemblies have reference numbers in the form a:b. The a represents the reference number of the entire service assembly and the b represents a sequential number unique to each part within the service assembly.

For example, a wheel assembly might be identified by reference number 6, the tire by 6:1, the valve by 6:2, and the wheel by 6:3. When you order the assembly identified by reference number 6, you receive all parts identified by reference numbers 6:1, 6:2, and 6:3. However, you may also order any part individually. Reference numbers of this type appear in illustrations and in part lists.

Reference Numbers Indicating Quantity

In an illustration, if a reference number indicates more than one part, the reference number has the form nX y. The n represents the quantity of the part, the X is the multiplication symbol, and the y represents the reference number.

For example, in an illustration, the reference number 2X 37 means that two of the parts identified by reference number 37 are indicated.

Contents

Description	Page	Description	Page
Front Frame Assembly	3	Crankshaft Assembly Briggs and Stratton 311777-0117-E1	20
Height-of-Cut Assembly	4	Gasket Assembly Briggs and Stratton 311777-0117-E1	21
Main Frame Assembly	5	Carburetor Assembly Briggs and Stratton 311777-0117-E1	22
Fuel Tank Assembly	6	Carburetor Assembly Briggs and Stratton 311777-0117-E1	23
Parking Brake Assembly	7	Governor Assembly Briggs and Stratton 311777-0117-E1	24
Motion Control Assembly	8	Oil Filter, Tube, and Pump Assembly Briggs and Stratton 311777-0117-E1	25
Hydro and Belt Drive Assembly	9	Air Cleaner Assembly Briggs and Stratton 311777-0117-E1	26
Engine and Clutch Assembly	10	Starter Assembly Briggs and Stratton 311777-0117-E1	27
Electrical Assembly	11	Gasket Assembly Briggs and Stratton 311777-0117-E1	28
44in Deck Assembly	12	Carburetor Overhaul Kit Assembly Briggs and Stratton 311777-0117-E1	29
44in Deck Belt Drive and Lift Assembly	13		
RH Hydro Transaxle Assembly No. 100-7360	14		
LH Hydro Transaxle Assembly No. 100-7361	16		
Cylinder Assembly Briggs and Stratton 311777-0117-E1	18		
Cylinder Head Assembly Briggs and Stratton 311777-0117-E1	19		

Part Description Abbreviations

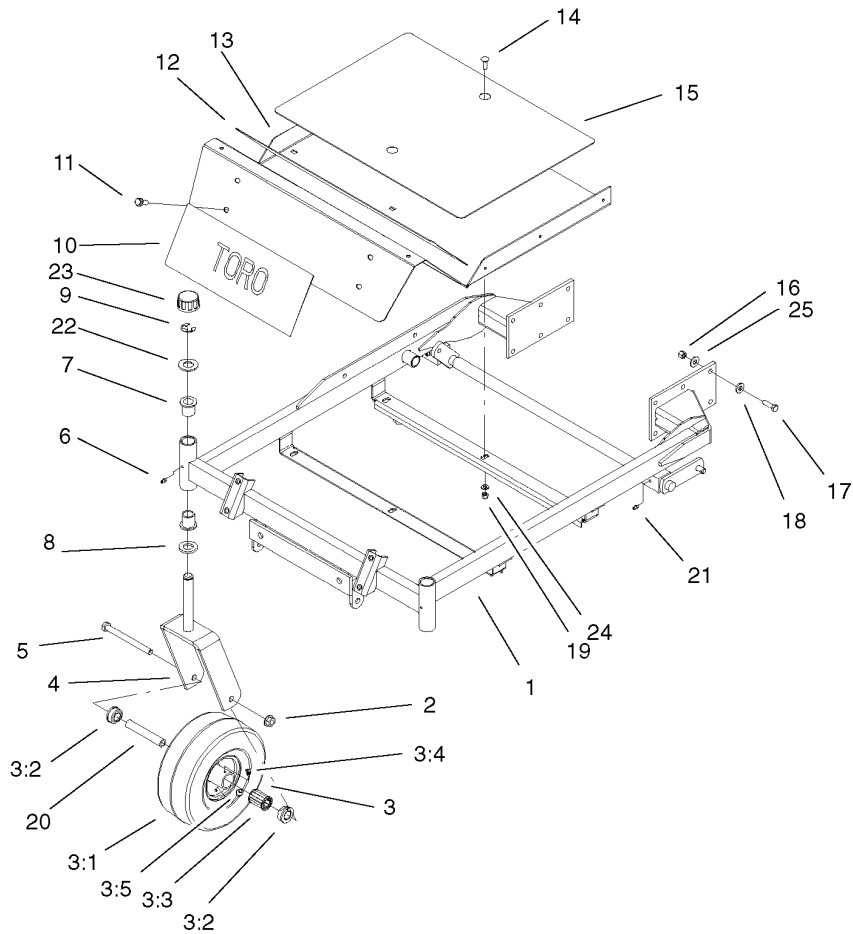
Part descriptions in this catalog may include the following abbreviations.

AR. as required	HYD. hydraulic
ASM. assembly	LH. left hand
BBC. blade brake clutch	NI. nylon insert
CARR. carriage	NPTF. national pipe thread fine
DEG. degrees	PFH. phillips flat head
EXT. external	PPH. phillips pan head
FH. flat head	PPHTF. phillips pan head thread forming
GA. gauge	PRH. phillips round head
HD. heavy-duty	PTH. phillips truss head
HF. hex flange	PTO. power-take-off
HH. hex head	RH. right hand
HHF. hex head flange	ROPS. roll-over protection system
HHFTF. hex head flange thread forming	SFH. slotted fillister head
HJ. hex jam	SHH. slotted hex head
HLH. hex lag head	SHWH. slotted hex washer head
HOC. height-of-cut	SPH. slotted pan head
HSBH. hex socket button head	SQH. square head
HSFH. hex socket flat head	SRH. slotted round head
HSH. hex socket head	STD. standard
HWH. hex washer head	TAP. self tapping
HWHTF. hex washer head thread forming	TTH. torx truss head

Footnotes

- ❶ Not illustrated
- ❷ Obtain from your local Briggs & Stratton dealer

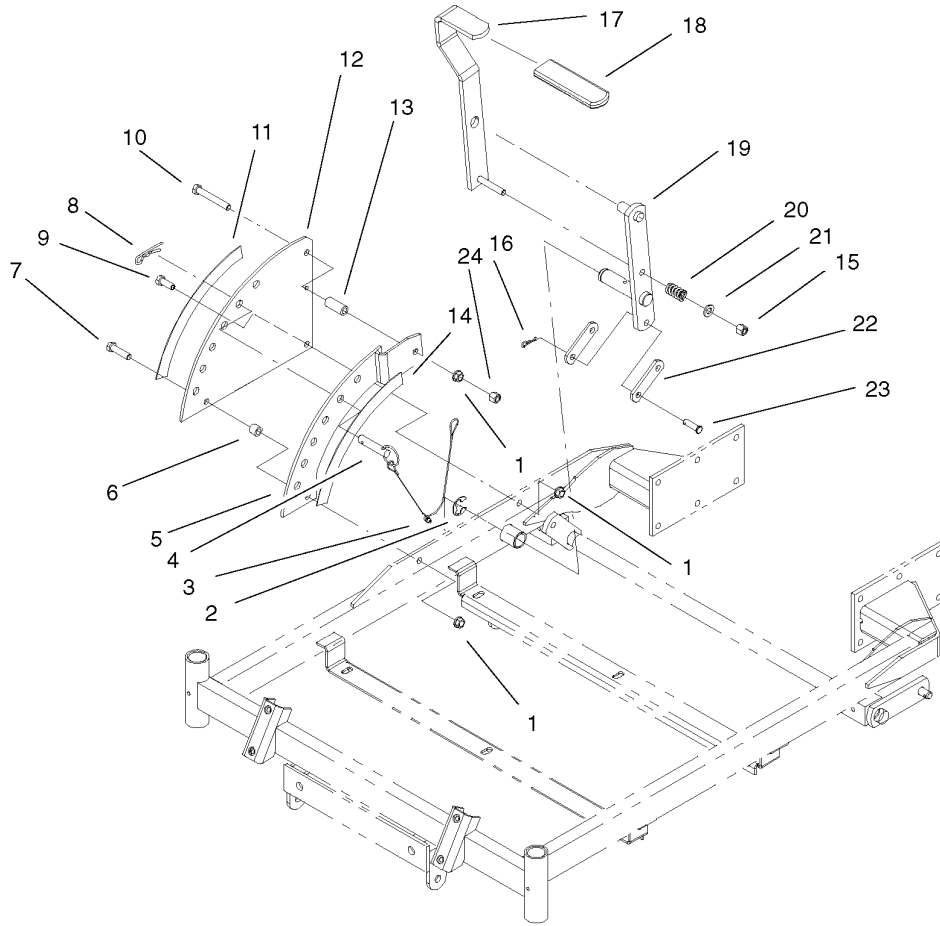
- ❸ Not serviced separately



Front Frame Assembly

Ref	Part No.	Qty.	Description
1	100-7357-01	1	Carrier Frame ASM
2	32128-23	2	Nut-HF
3	100-7364	2	Caster Wheel ASM
3:1	105-1943	1	Tire
3:2	62-5580	2	Bearing-Outside
3:3	83-4740	1	Bearing
3:4	302-11	1	Fitting-Lube, 45 DEG
3:5	232-27	1	Stem-Valve
4	100-7363-01	2	Caster Fork ASM
5	325-22	2	Screw-HH
6	302-5	2	Fitting-Grease
7	1-303514	4	Bearing-Flanged
8	1-513338	2	Washer-Flat
9	32151-103	2	Ring-Retaining, EXT
10	104-8016	1	Decal
11	66-9300	4	Screw-HF
12	104-3639	1	Pad-Skid, Anti
13	100-7386-03	1	Floorpan
14	3230-28	6	Screw-CARR
15	104-3640	1	Pad-Skid, Anti

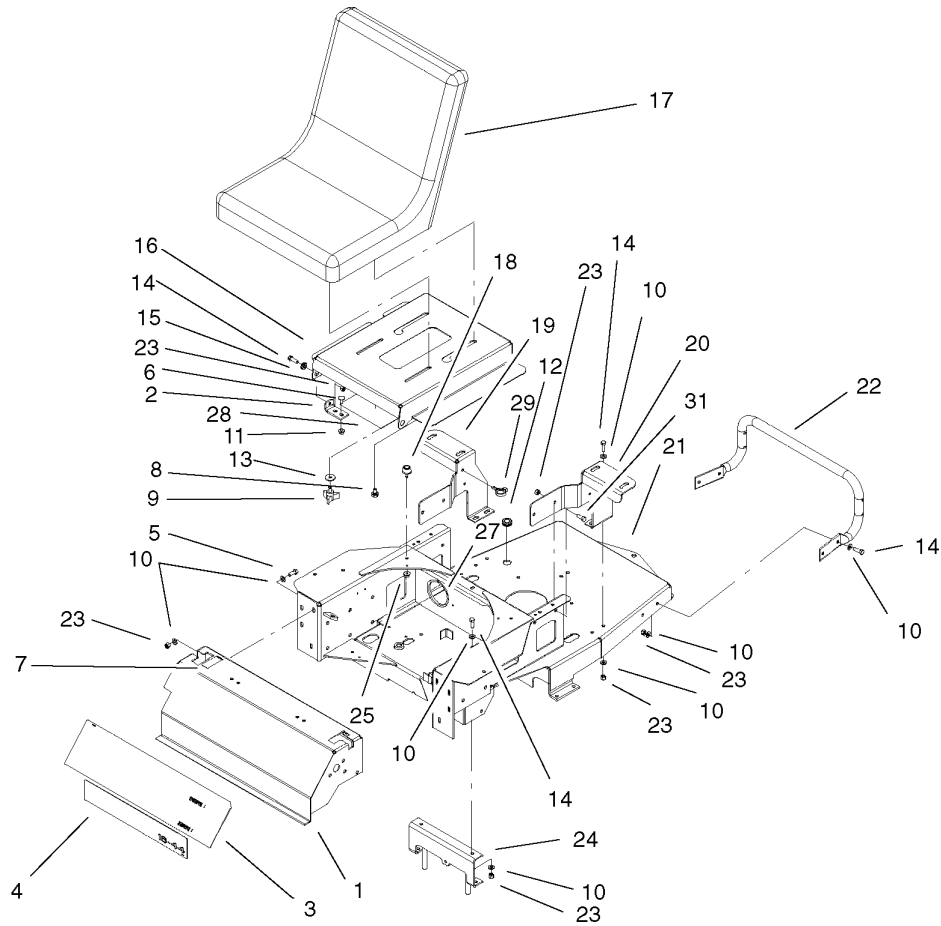
Ref	Part No.	Qty.	Description
20	104-3667	2	Spanner-Wheel
21	302-19	2	Fitting-Grease
22	104-8076	2	Washer
23	61-9780	2	Cap-Hub
24	3256-23	6	Washer-Flat
25	1-809107	12	Washer-Hardened



Height-of-Cut Assembly

Ref	Part No.	Qty.	Description
1	3290-357	3	Nut-HHF, Whiz
2	32151-103	1	Ring-Retaining, EXT
3	302-5	1	Fitting-Grease
4	104-3678	1	Pin-Hitch
5	100-7335-01	1	Plate-Lift
6	1-413088	1	Bushing-Lever, Lift
7	323-8	1	Screw-HH
8	1-806005	1	Pin-Hair
9	323-6	1	Screw-HH
10	323-13	1	Screw-HH
11	104-3641	1	Decal-Deck Height, Outer
12	100-7384-01	1	Plate-Deck Lift
13	1-633082	1	Bushing-Lever, Lift
14	104-8032	1	Decal-Deck Height, Inner
15	3296-39	1	Nut-Lock, NI
16	1-806003	2	Pin-Hair
17	1-652023-03	1	Lever-Lift
18	1-633295	1	Grip-Lever, Lift
19	1-652027-03	1	Arm-Deck, Lift
20	1-633325	1	Spring-Compression
21	3256-24	1	Washer-Flat
22	1-633068	2	Arm-Lift, Deck
23	283-2	2	Pin-Clevis
24	32128-21	1	Nut-HF

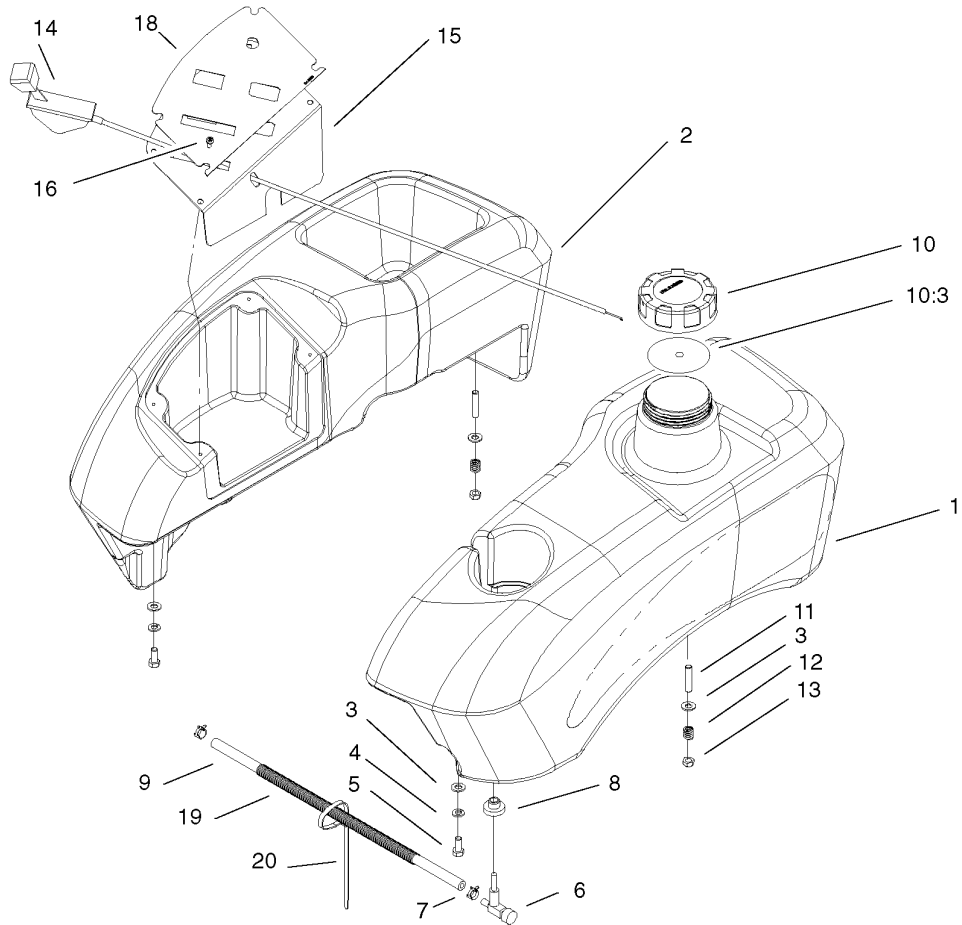
--	--	--	--



Main Frame Assembly

Ref	Part No.	Qty.	Description
1	104-8040-03	1	Console
2	104-8057-03	2	Bracket-Pivot
3	104-8014	1	Decal-Console
4	104-8083	1	Decal
5	322-4	6	Screw-HH
6	104-8049	4	Screw-CARR
7	1-633354	2	Decal-Control, Motion
8	37-8770	2	Bolt-Shoulder
9	92-9674	2	Knob
10	3256-23	32	Washer-Flat
11	32128-25	4	Nut-HF
12	237-124	1	Grommet
13	5-4460	2	Washer-Pivot
14	322-5	12	Screw-HH
15	105503	2	Bushing
16	104-8058-03	1	Pan-Seat
17	105-6962	1	Seat
18	1-523420	2	Bumper
19	100-7376-01	1	Bracket-RH
20	100-7368-01	1	Bracket-LH
21	100-7367-01	1	Frame-Rear
22	100-7332-03	1	Rod-Support, Rear
23	3296-29	22	Nut-Lock, NI
24	105-6987-03	1	Bracket

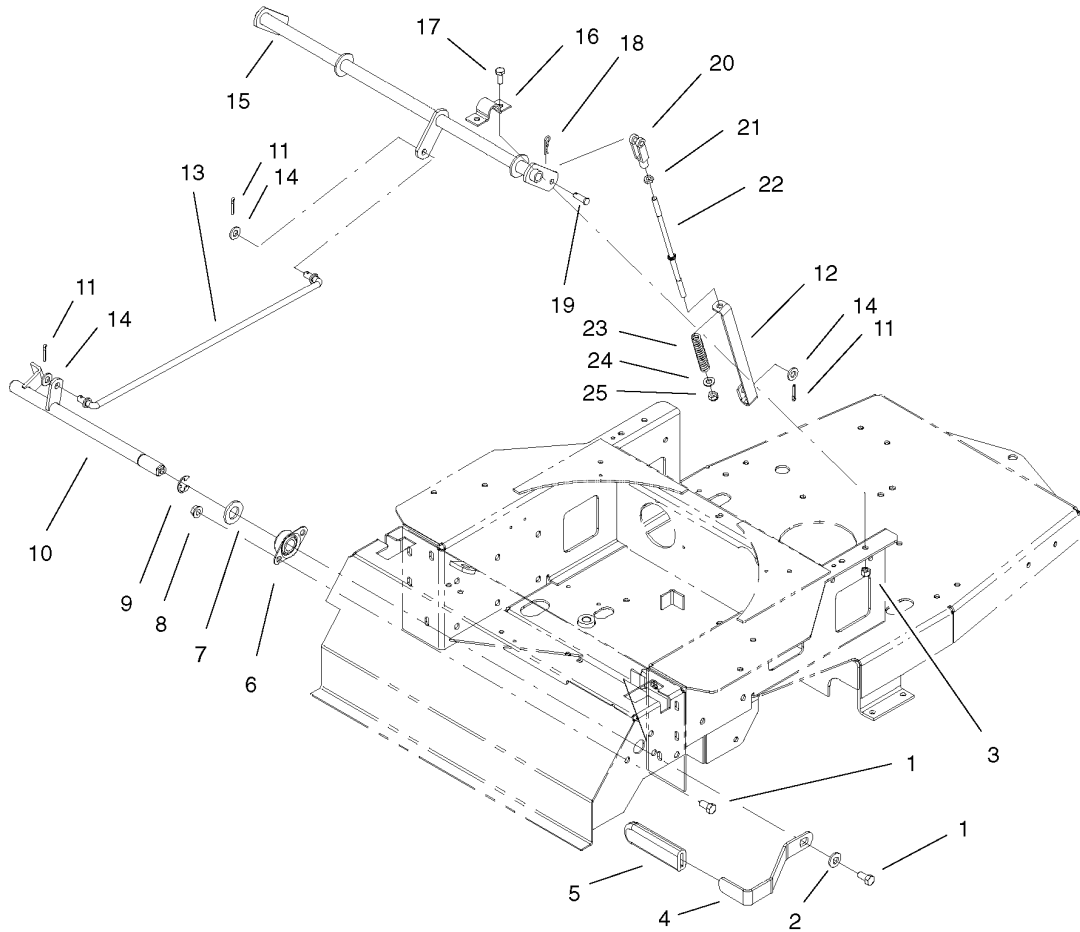
Ref	Part No.	Qty.	Description
25	32128-33	2	Nut-HF
27	105-1854	1	Cover-Conduit
28	104-8088	1	Decal-Service
29	105-1853	2	Clamp-Hose
31	322-3	4	Screw-HH



Fuel Tank Assembly

Ref	Part No.	Qty.	Description
1	105-3403	1	Fuel Tank ASM
1:2	46-6560	1	Bushing
1:3	104048	1	Valve-Fuel
2	104-3649	1	Tank-Console
3	3256-23	8	Washer-Flat
4	3253-4	4	Washer-Lock
5	322-3	4	Screw-HH
6	104048	1	Valve-Fuel
7	2412-98	2	Clamp
8	46-6560	1	Bushing
9	104-8060	1	Hose-Fuel
10	88-3980	1	Gas Cap ASM
10:3	88-4010	1	Gasket-Cap, Gas
11	1-633023	4	Stud
12	1-633349	4	Spring-Tank, Fuel
13	3296-47	4	Nut-Lock, NI
14	104-3626	1	Cable-Throttle
15	104-3664-03	1	Panel-Control
16	3250-14	4	Screw-PPH
18	104-8009	1	Decal-Panel, Control
19	105-1854	1	Cover-Conduit
20	614249	1	Strap-Tie

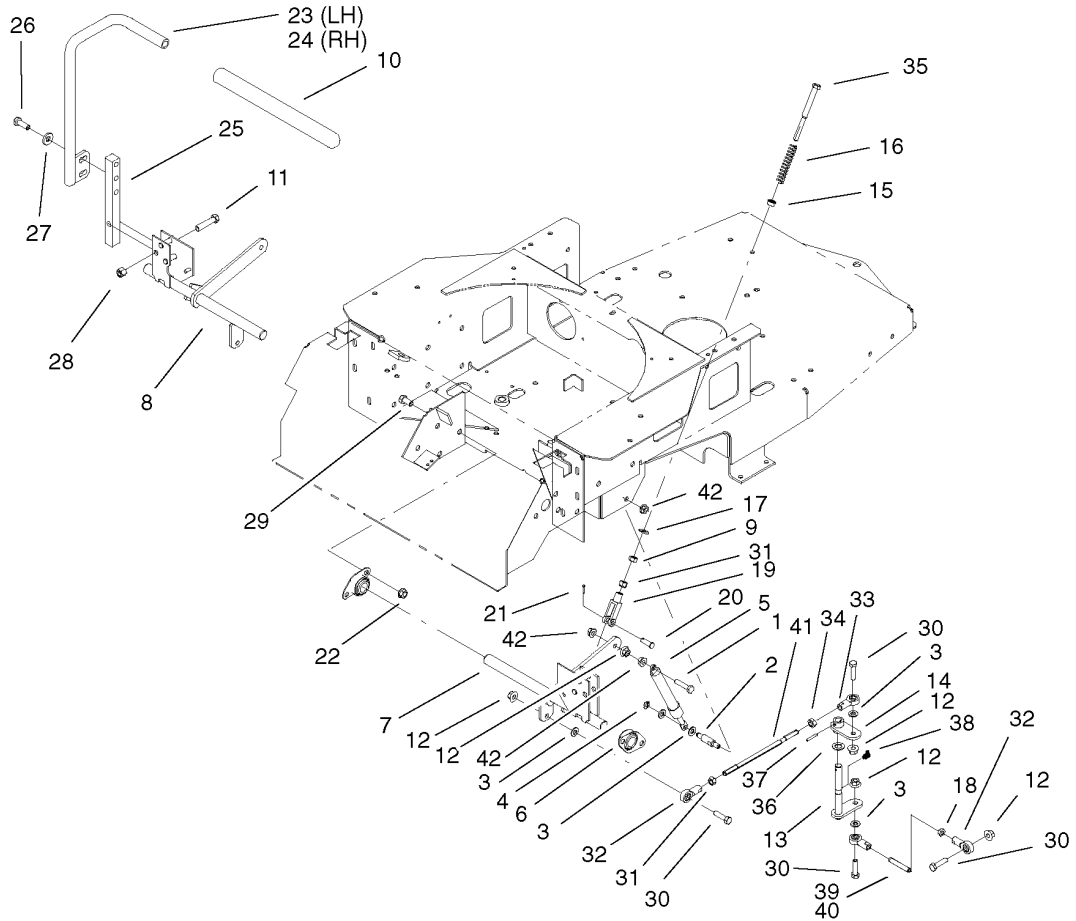
--	--	--	--



Parking Brake Assembly

Ref	Part No.	Qty.	Description
1	323-4	5	Screw-HH
2	98-5975	1	Washer-Belleville
3	3296-29	4	Nut-Lock, NI
4	100-7346-03	1	Handle-Brake, Park
5	1-633268	1	Grip-Lever, Brake
6	1-633102	2	Bearing-Flange, Side
7	1-303007	1	Washer
8	3290-357	4	Nut-HHF, Whiz
9	32151-48	1	E-Ring
10	100-7318	1	Brake Shaft ASM
11	3272-10	4	Pin-Cotter
12	104-3675	2	Bracket-Spring, Brake
13	104-8046	1	Rod-Brake, Upper
14	3256-24	4	Washer-Flat
15	104-3670-03	1	Shaft-Brake
16	88-4730	2	Clamp-Pivot, HOC
17	322-3	4	Screw-HH
18	1-806003	2	Pin-Hair
19	1-808280	2	Pin-Clevis
20	1-303105	2	Yoke-Adjustable
21	3219-2	2	Nut-Hex
22	104-3674	2	Rod-Brake, Upper
23	38-4520	2	Spring
24	3256-23	2	Washer-Flat

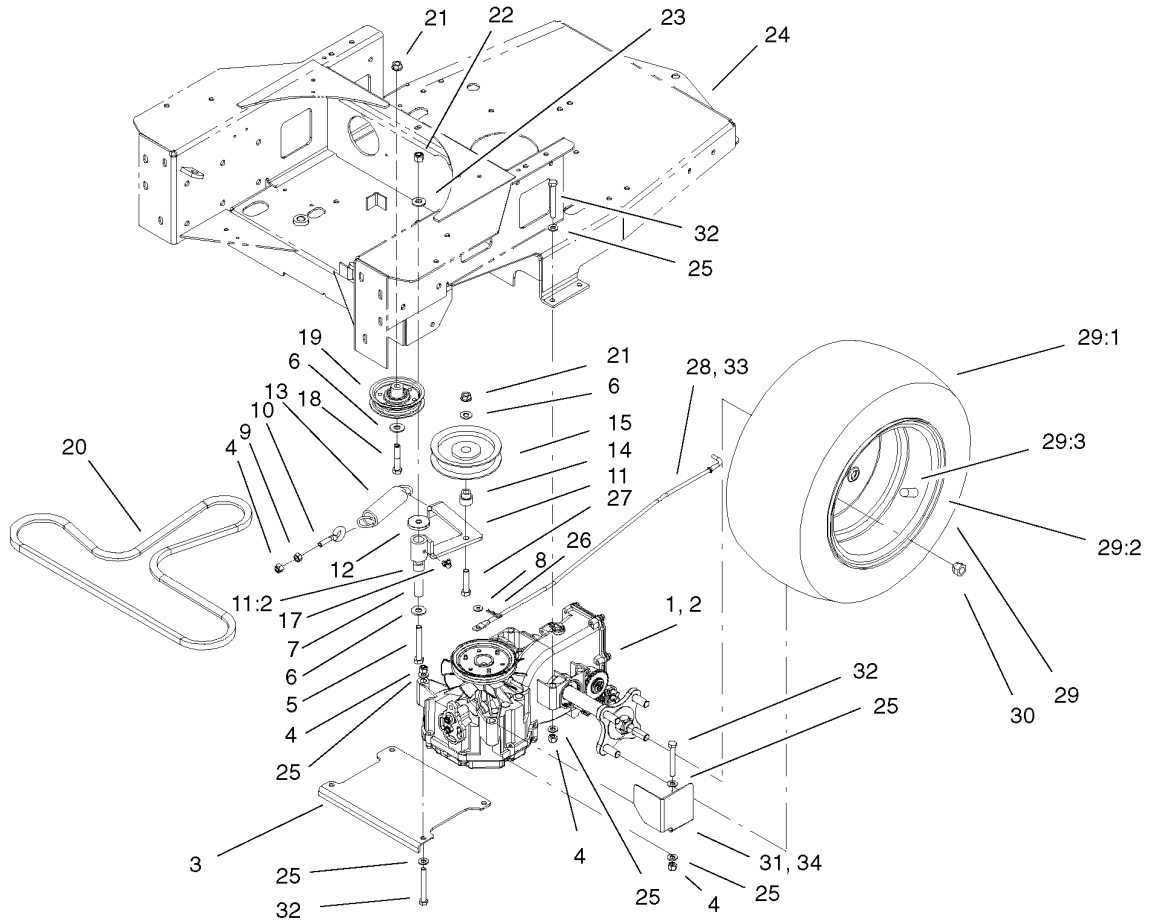
Ref	Part No.	Qty.	Description
25	3296-4	2	Nut-Lock



Motion Control Assembly

Ref	Part No.	Qty.	Description
1	1-403180	2	Screw-HH
2	1-653316	2	Pin-Damper
3	3256-23	10	Washer-Flat
4	32120-35	2	Ring-Retaining, EXT
5	103-2913	2	Damper-Control, Motion
6	1-633102	4	Bearing-Flange, Side
7	100-7341	1	Bracket-Motion Control, LH
8	100-7340	1	Bracket-Motion Control, RH
9	3296-4	2	Nut-Lock
10	1-633257	2	Grip-Control, Motion
11	323-9	2	Screw-HH
12	32128-20	10	Nut-HF
13	100-7311	2	Pivot ASM
14	100-7313	2	Pivot Plate ASM
15	1-603735	2	Bushing-Flanged
16	1-603807	2	Spring-Return, Neutral
17	3256-2	2	Washer-Flat
18	3220-2	2	Nut-Jam
19	1-303105	2	Yoke-Adjustable
20	1-808280	2	Pin-Clevis
21	3272-5	2	Pin-Cotter
22	3290-357	6	Nut-HHF, Whiz
23	103-0409-03	1	Lever-Control, LH
24	103-0410-03	1	Lever-Control, RH

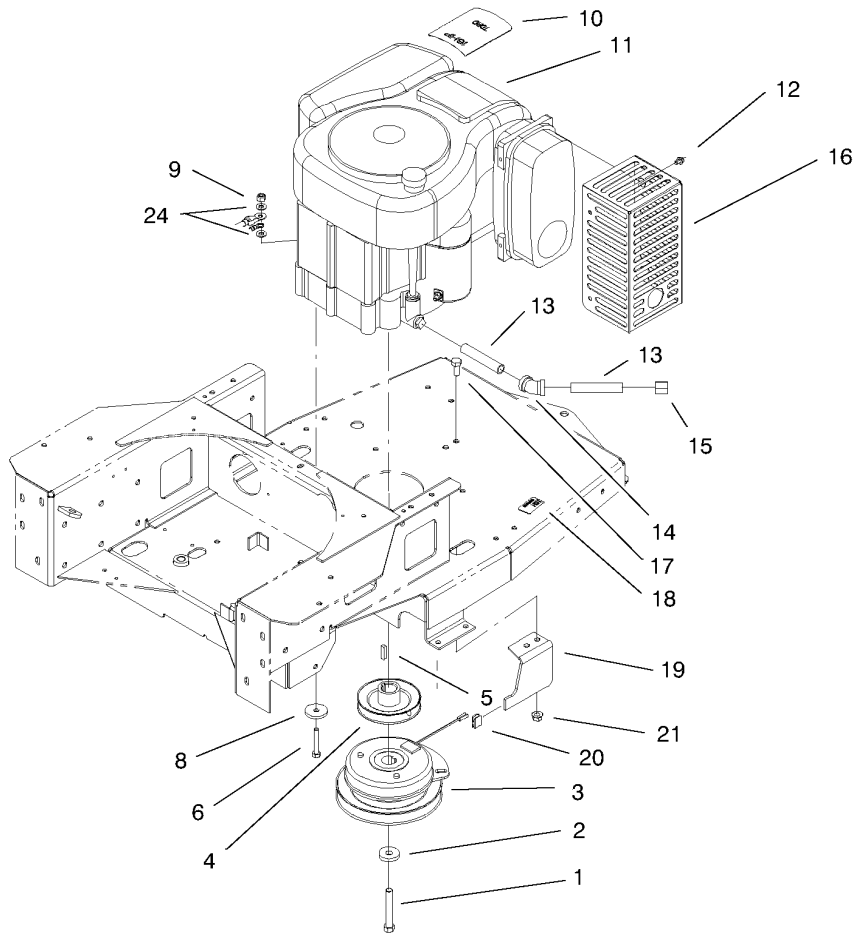
Ref	Part No.	Qty.	Description
25	103-0407	2	Arm-Shaft, Control
26	323-6	4	Screw-HH
27	98-5975	4	Washer-Belleville
28	3296-39	2	Nut-Lock, NI
29	323-4	6	Screw-HH
30	322-5	8	Screw-HH
31	3219-2	4	Nut-Hex
32	1-543017	6	Balljoint-RH
33	1-633152	2	Balljoint-LH
34	1-804524	2	Nut
35	1-603737	2	Bolt-Return, Neutral
36	100-7336	2	Washer
37	933156	2	Pin-Roll
38	302-11	2	Fitting-Lube, 45 DEG
39	104-3606	1	Linkage-Lower, RH
40	104-3607	1	Linkage-Lower, LH
41	104-3605	2	Linkage-Upper
42	32128-25	6	Nut-HF



Hydro and Belt Drive Assembly

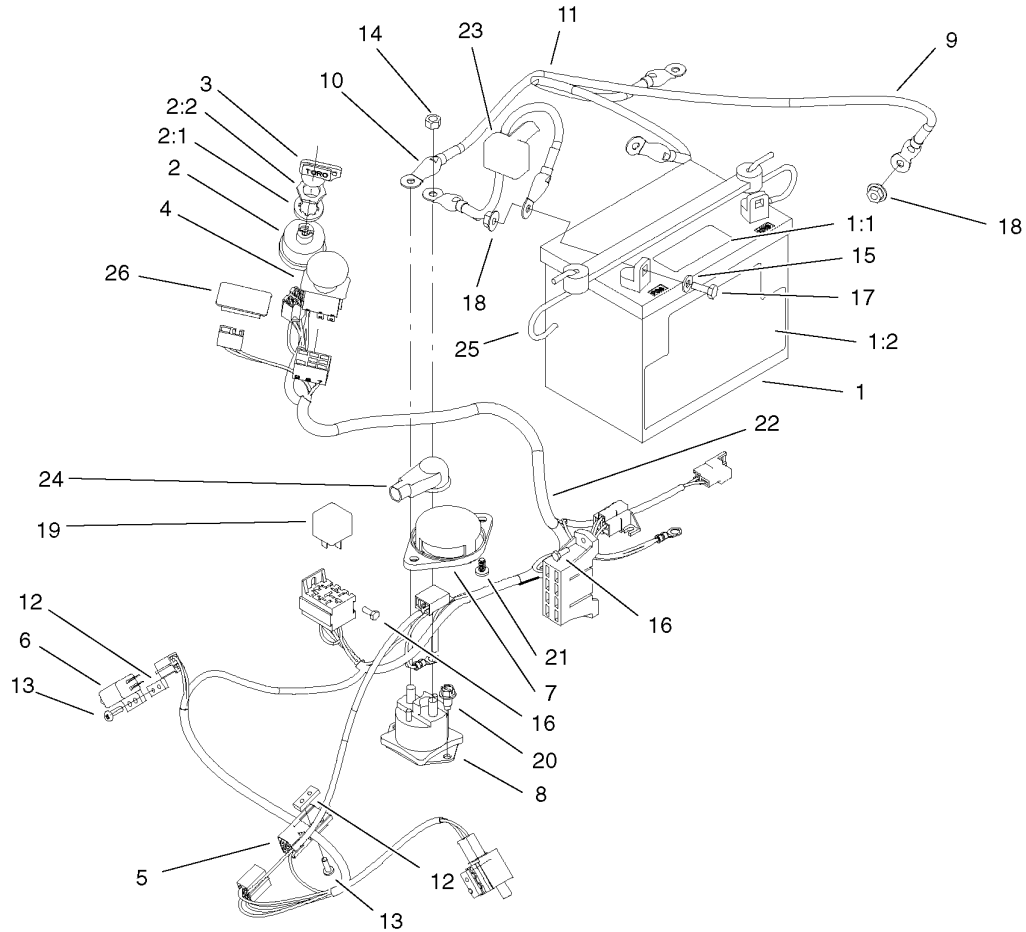
Ref	Part No.	Qty.	Description
1	100-7361	1	Hydro-LH
2	100-7360	1	Hydro-RH
3	100-7317-03	1	Plate-Hydro, Lower
4	3296-29	13	Nut-Lock, NI
5	323-13	1	Screw-HH
6	3256-4	3	Washer-Flat
7	1-603044	1	Bushing
8	3256-1	2	Washer-Flat
9	32128-20	1	Nut-HF
10	55-9420	1	Bolt-Eye
11	104-3614	1	Idler Arm ASM
11:2	1-513034	2	Sleeve-Bearing
12	104-8005	1	Spacer
13	1-603414	1	Spring-Extension
14	1-603496	1	Bushing-Idler
15	1-603843	1	Pulley-Idler
17	302-40	1	Fitting-Grease
18	323-10	1	Screw-HH
19	104-3630	1	Pulley-Idler
20	104-3622	1	Belt-V
21	32128-21	2	Nut-HF
22	3296-39	1	Nut-Lock, NI
23	98-5975	1	Washer-Belleville
24	104-8008	1	Decal-Transport

Ref	Part No.	Qty.	Description
25	3256-23	24	Washer-Flat
26	1-806003	2	Pin-Hair
27	323-9	1	Screw-HH
28	104-3669	1	Rod-LH
29:1	105-1944	1	Tire
29:2	105-1946	1	Wheel
29:3	232-27	1	Stem-Valve
	105-4070	2	Tube-Inner
30	242-50	8	Nut-Lug
31	104-8013-03	1	Guard-Fan, RH
32	322-13	12	Screw-HH
33	104-3668	1	Rod-RH
34	104-8033-03	1	Guard-Fan, LH



Engine and Clutch Assembly

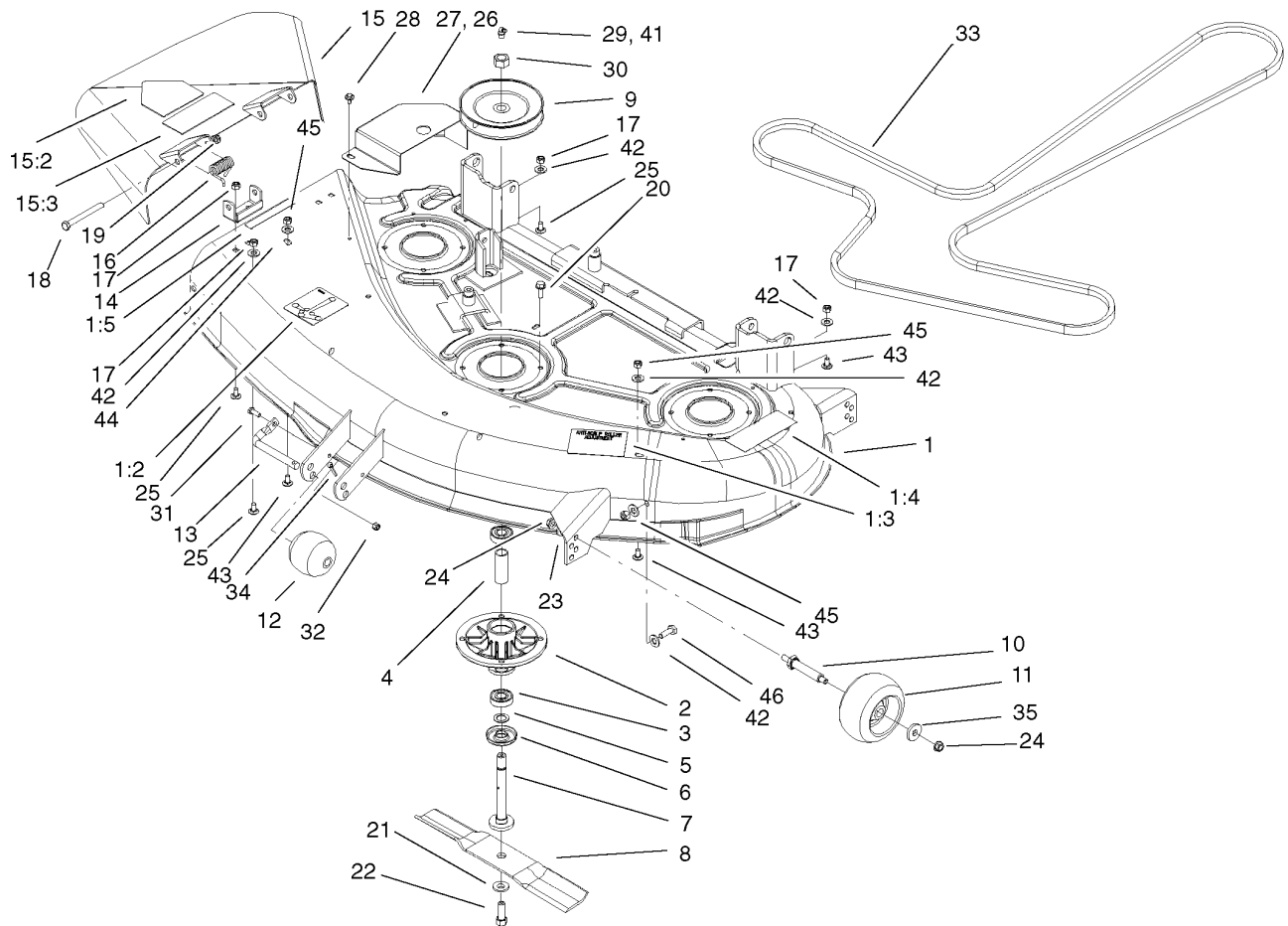
Ref	Part No.	Qty.	Description
1	3212-12	1	Screw-HH
2	112843	1	Washer
3	104-3624	1	Clutch
4	100-7314	1	Pump Drive Pulley ASM
5	5-7280	1	Key
6	322-9	4	Screw-HH
8	62-7190	4	Spacer-Steel
9	3296-29	4	Nut-Lock, NI
10	104-8011	1	Decal-Engine Briggs And Stratton
11		1	Engine-Briggs And Stratton, 311777-0117-E1
12	99-8445	2	Screw-HWH
13	289-46	2	Nipple-Pipe
14	104-8019	1	Elbow-45 DEG
15	288-10	1	Cap-Pipe
16	104-8038-03	1	Guard-Muffler
17	323-4	2	Screw-HH
18	65-2690	1	Decal-Surface, Hot
19	104-3613-03	1	Stop-Clutch
20	98-5023	1	Bumper
21	32128-21	2	Nut-HF
24	3256-23	5	Washer-Flat



Electrical Assembly

Ref	Part No.	Qty.	Description
1	104-2491	1	Battery
1:1	104-4163	1	Decal-Battery
1:2	104-5091	1	Decal-Battery
2	88-9830	1	Key Switch ASM
2:1	3254-5	1	Washer-Tooth
2:2	218-461	1	Nut-HH
3	63-8360	1	Key-Ignition
4	95-7489	1	Switch-PTO
5	86-4690	1	Switch-Interlock
6	65-7410	2	Switch-Pole, Single
7	105-6959	1	Switch-Seat
8	28-4210	1	Solenoid
9	28-3891	1	Wire-Solenoid/Starter
10	93-1189	1	Wire ASM
11	93-0324	1	Cable
12	1-633181	3	Plate-Tapped
13	32144-8	6	Screw-PPHTF
14	32149-1	2	Nut-Keps
15	3256-22	2	Washer-Flat
16	32144-1	3	Screw-Taptite
17	321-4	2	Screw-HH
18	32128-33	3	Nut-HF
19	98-7249	1	Relay
20	32144-4	2	Screw-HWH

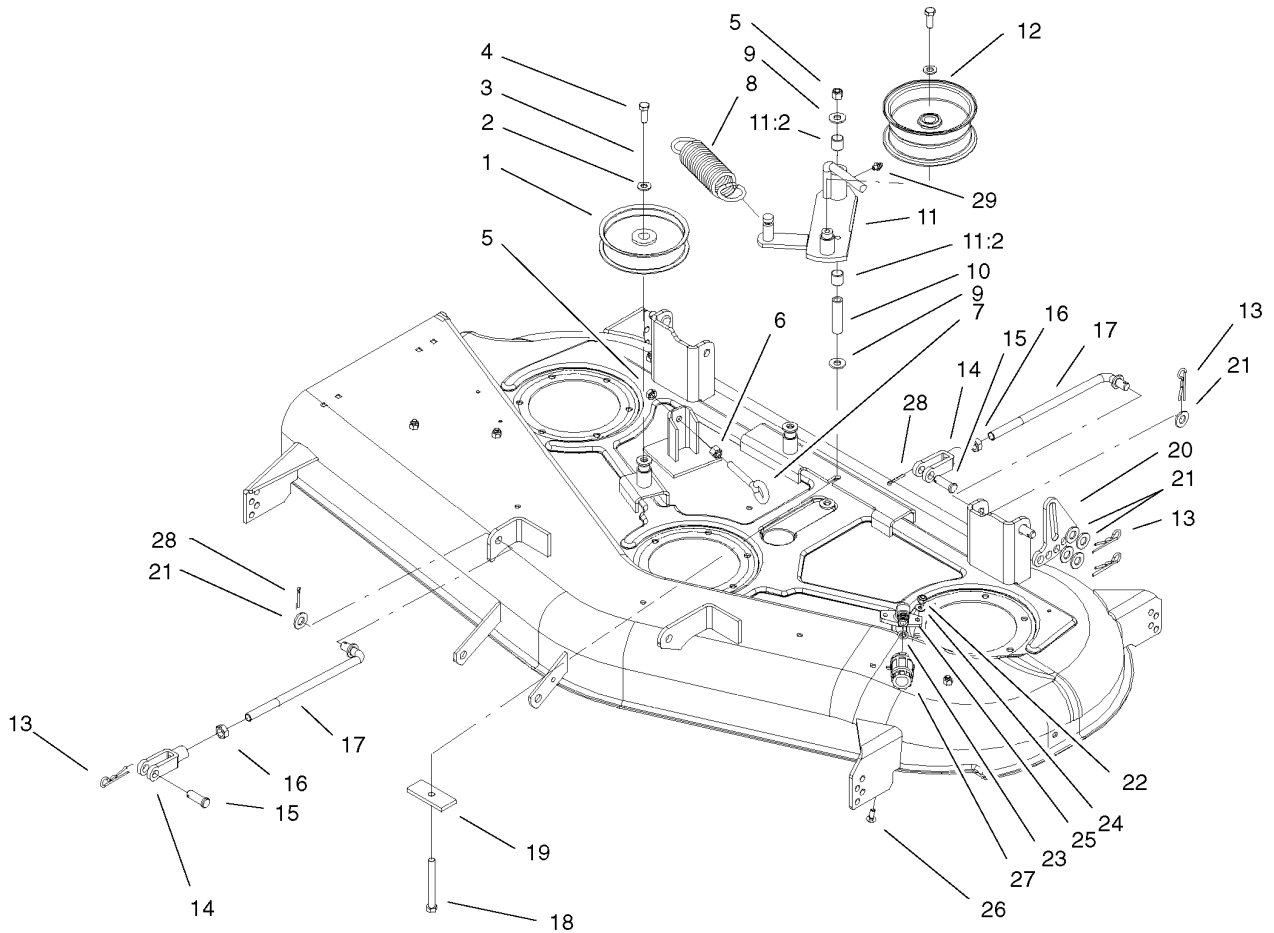
Ref	Part No.	Qty.	Description
21	105-6968	2	Screw-Seat, Switch
22	104-3687	1	Harness-Wire
●22:1	109102	1	Fuse-25 Amp
●22:2	109103	1	Fuse-30 Amp
23	28-8080	1	Boot-Terminal
24	93-3190	1	Boot-Insulator, Terminal
25	104-2466	1	Holddown-Battery
26	99-7420	1	Plug-Hole



44in Deck Assembly

Ref	Part No.	Qty.	Description
1	105-1948	1	44 Inch Deck ASM
1:2	99-3943	1	Decal-Routing, Belt
1:3	98-3798	1	Decal-Wheel, Gage
1:4	92-7108	1	Decal-Danger
1:5	92-7109	1	Decal-Caution
2	88-4510	3	Housing-Spindle
3	109966	6	Bearing-Ball
4	94-7959	3	Spacer - Bearing
5	80-4380	3	Spacer
6	80-4360	3	Shield-Bearing
7	94-7547	3	Shaft-Center, Spindle
8	54-0010-03	3	Blade
9	100-7321	3	Pulley ASM
10	99-2842	3	Spacer
11	68-2730	3	Wheel-Gage
12	29-4820	1	Roller
13	118960-03	1	Shaft-Roller
14	29-5590-03	2	Bracket-Pivot
15	100-8003	1	Deflector/Decal ASM
15:2	93-1122	1	Decal-Danger
15:3	92-7108	1	Decal-Danger
16	40-6230	2	Spring
17	3296-29	7	Nut-Lock, NI
18	3211-15	2	Screw-HH

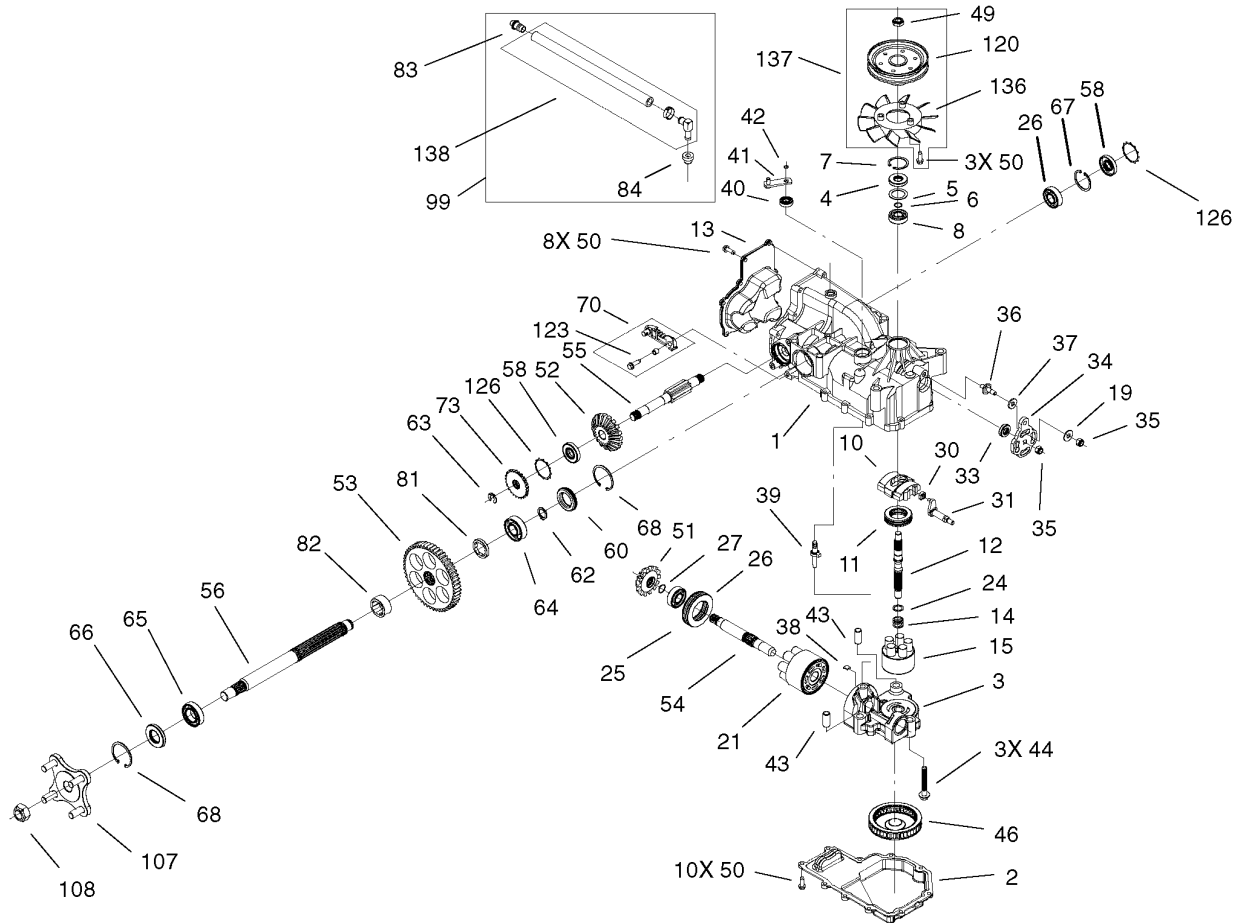
Ref	Part No.	Qty.	Description
19	3296-5	2	Nut-Lock
20	32144-41	12	Screw-Taptite
21	3290-465	3	Washer-Belleville
22	26-0671	3	Screw-Blade
23	98-5975	3	Washer-Belleville
24	3290-357	6	Nut-HHF, Whiz
25	3230-18	7	Screw-CARR
26	104-3646-01	1	Cover-Belt, LH
27	104-3645-01	1	Cover-Belt, RH
28	46-8560	4	Screw-HHF
29	302-5	2	Fitting-Grease
30	3219-6	3	Nut-Hex
31	321-4	1	Screw-HH
32	3296-42	1	Nut-Lock, NI
34	3272-21	1	Pin-Cotter
35	1-373034	3	Washer
41	302-60	1	Fitting-Grease, 90 DEG
42	3256-24	6	Washer-Flat
43	3231-21	2	Screw-CARR
44	3256-5	1	Washer-Flat
45	3296-39	3	Nut-Lock, NI
46	323-4	1	Screw-HH



44in Deck Belt Drive and Lift Assembly

Ref	Part No.	Qty.	Description
1	1-613098	2	Pulley-Idler
2	3256-24	3	Washer-Flat
3	98-5975	3	Washer-Belleville
4	323-6	3	Screw-HH
5	3296-39	2	Nut-Lock, NI
6	3217-7	1	Nut-Hex
7	94-2547	1	Bolt-Eye
9	1-809107	2	Washer-Hardened
10	1-603384	1	Bushing-Pivot, Idler
11	99-3879	1	Idler Arm ASM
11:2	1-513034	2	Sleeve-Bearing
12	1-413099	1	Pulley-Idler
13	1-806005	8	Pin-Hair
14	100-7338	4	Clevis
15	104-3634	4	Pin-Clevis
16	3220-5	4	Nut-Jam
17	104-8047	4	Rod-Trunion
18	1-800805	1	Screw-HH
19	104-8037-01	1	Plate-Bolt, Retainer
20	104-3699-01	2	Link-HOC, Adjusting
21	3256-26	12	Washer-Flat
22	3296-16	2	Nut-Lock, NI
23	46-6290	1	O-Ring
24	3256-1	2	Washer-Flat

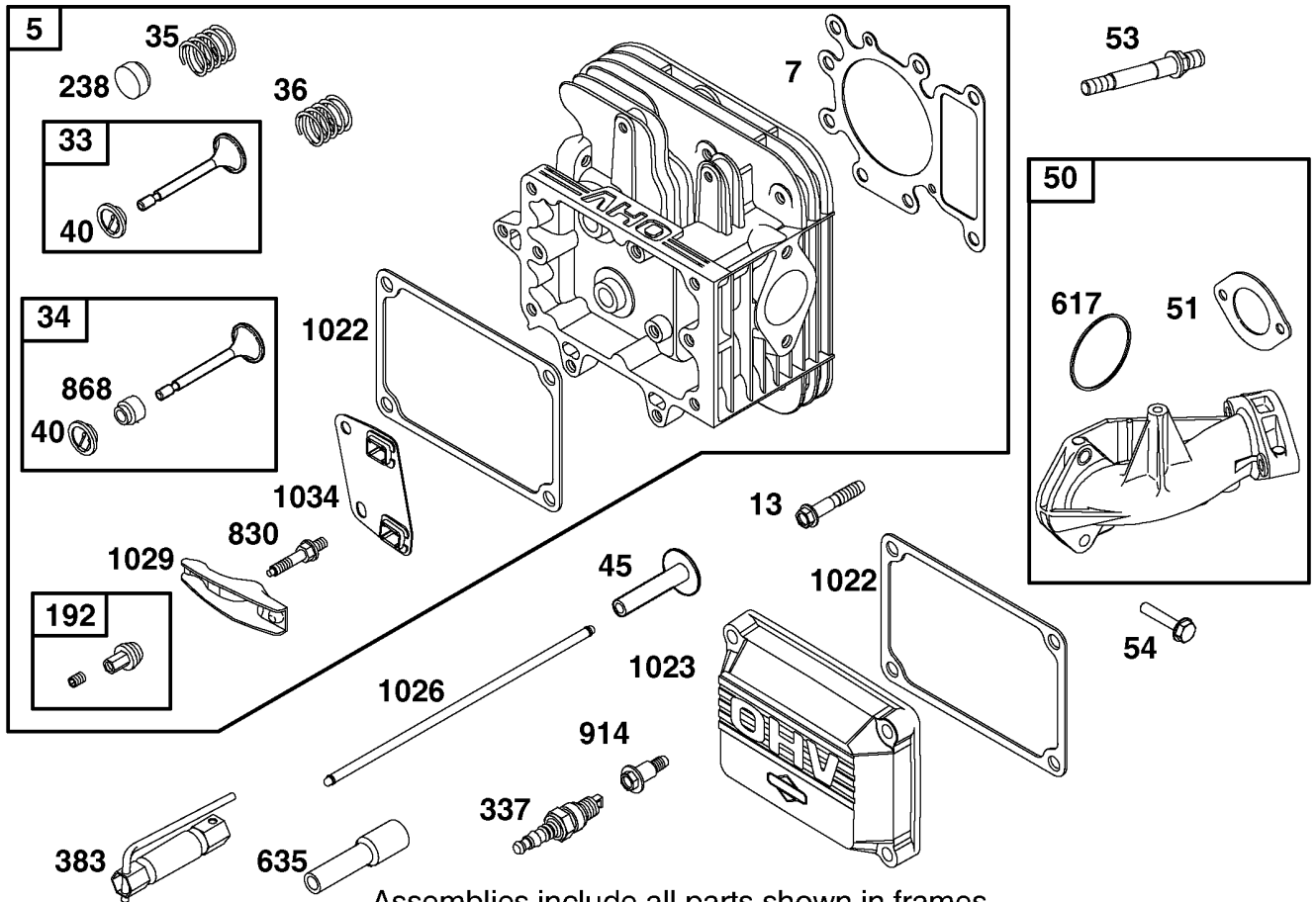
Ref	Part No.	Qty.	Description
25	95-2747	1	Fitting-Washout
26	3229-1	2	Screw-CARR
27	95-3270	1	Connector-Hose
28	3272-10	4	Pin-Cotter
29	302-19	1	Fitting-Grease



RH Hydro Transaxle Assembly No. 100-7360

Ref	Part No.	Qty.	Description
1	105-1867	1	Main Housing Kit
2	105-1868	1	Housing-Lower
3	105-1869	1	Center Section Kit ASM
4	92-6543	1	Seal-Lip
5	104-2104	1	Spacer
6	94-1902	1	Ring-Wire, Retaining
7	94-1903	1	Ring-Retaining
8	94-1904	1	Bearing-Shaft, Ball
10	94-1907	1	Swashplate-Variable
11	94-6922	1	Bearing-Thrust
12	104-5067	1	Shaft-Input
13	105-1870	1	Cover-Back
14	94-1936	1	Spring-Block
15	104-2106	1	Cylinder Block ASM
19	104-2146	1	Washer
21	94-1913	1	Cylinder Block ASM
24	94-1937	1	Washer-Thrust, Block
25	94-6923	1	Bearing-Thrust
26	104-5311	2	Bearing-Ball
27	104-5307	1	Ring-Retaining
30	94-1910	1	Guide-Slot
31	104-2112	1	Trunnion ASM
33	92-6544	1	Seal-Lip
34	105-1871	1	Arm-Control

Ref	Part No.	Qty.	Description
35	105-1872	2	Nut
36	104-2116	1	Stud
37	105-1873	1	Puck-Friction
38	94-6925	1	Plate-Bypass
39	94-1914	1	Actuator-Bypass
40	92-6545	1	Seal-Lip
41	104-2117	1	Arm-Bypass
42	936109	1	Ring-Retaining
43	94-1927	2	Pin
44	94-6926	3	Bolt
46	105-1874	1	Filter
49	105-1875	1	Nut-Lock
50	104-2120	21	Screw
51	105-1876	1	Gear-Bevel, 14T
52	105-1877	1	Gear-Bevel, 19T
53	105-1878	1	Gear-Bevel, 53T
54	105-1879	1	Shaft-Motor
55	105-1880	1	Shaft-Brake
56	105-1881	1	Shaft-Axle
58	104-5310	2	Seal-Lip
60	105-1882	1	Plug-Side Seal
62	105-1883	1	Ring-Axle, Retaining
63	105-1884	1	Ring-Retaining
64	105-1885	1	Bearing-Ball

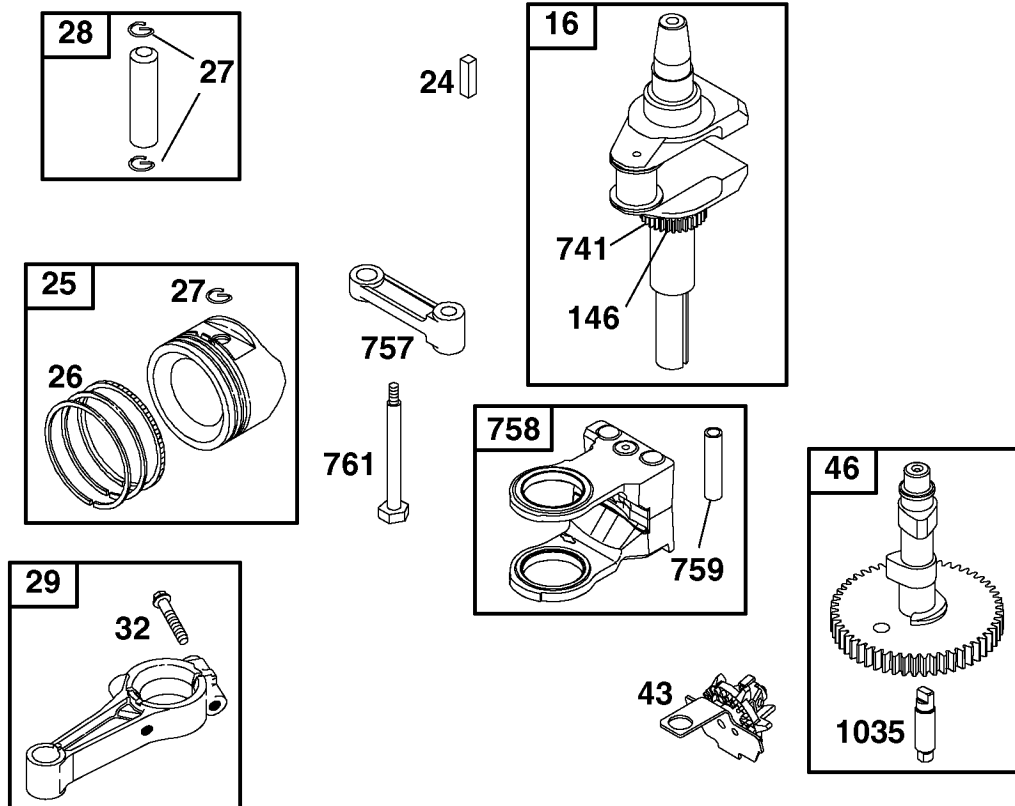


Assemblies include all parts shown in frames.

Cylinder Head Assembly Briggs and Stratton 311777-0117-E1

Ref	Part No.	Qty.	Description
5	690188	1	Cylinder Head
7	692410	1	Gasket-Cylinder Head
13	690360	1	Screw
33	495856	1	Valve-Exhaust
34	495857	1	Valve-Intake
35	691279	1	Spring-Valve
36	691279	1	Spring-Valve
40	691752	1	Retainer-Valve
45	690564	1	Tappet-Valve
50	690193	1	Manifold-Intake
53	690227	1	Stud
54	691148	1	Screw
192	691986	1	Adjustor-Arm, Rocker
238	691843	1	Cap-Valve
337	491055	1	Plug-Spark
383	89838	1	Wrench-Plug, Spark
617	692138	1	Seal-O Ring
635	691909	1	Boot-Spark Plug
830	691095	1	Stud-Arm, Rocker
868	690968	1	Seal-Valve
914	690960	1	Screw
1022	272475	1	Gasket-Cover, Rocker
1023	692492	1	Cover-Rocker
1026	692003	1	Rod-Push

Ref	Part No.	Qty.	Description
6	692011	1	Rod-Push
1029	691751	1	Arm-Rocker
1034	690822	1	Guide-Rod, Push



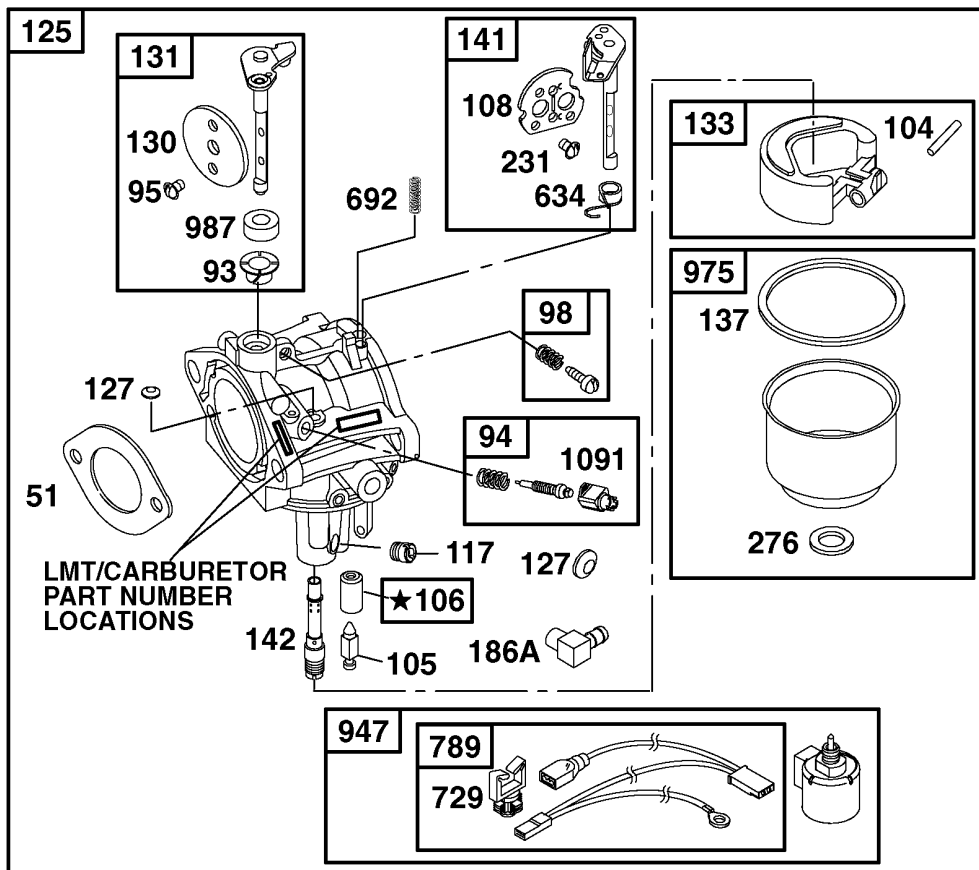
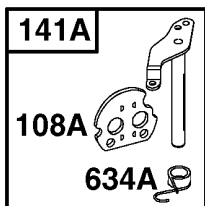
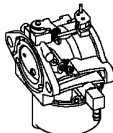
Assemblies include all parts shown in frames.

Crankshaft Assembly Briggs and Stratton 311777-0117-E1

Ref	Part No.	Qty.	Description
16	690136	1	Crankshaft
24	222698	1	Key
25	692271	1	Piston Assembly (Standard)
25	692272	1	Piston Assy. (.010" O.S.)
25	692273	1	Piston Assy. (.020" O.S.)
25	692274	1	Piston Assy. (.030" O.S.)
26	690162	1	Ring Set (STD)
26	690164	1	Ring Set (.010" O.S.)
26	690166	1	Ring Set (.020" O.S.)
26	690168	1	Ring Set (.030" O.S.)
27	691299	1	Lock-Piston Pin
28	498319	1	Pin-Piston (STD.)
28	498320	1	Pin-Piston (.005 O.S.)
29	692419	1	Connecting Rod (STD)
29	499940	1	Connecting Rod (.020" Undersize)
32	692852	1	Screw
43	691968	1	Slinger-Governor, Oil
46	693450	1	Camshaft
146	691639	1	Key-Timing
741	691284	1	Gear-Timing
757	691714	1	Countweight Link
758	692423	1	Counterweight
759	691239	1	Counterweight Pin
761	691096	1	Screw (Counterweight)

Ref	Part No.	Qty.	Description
1035	693784	1	Shaft-Pump, Oil

WALBRO



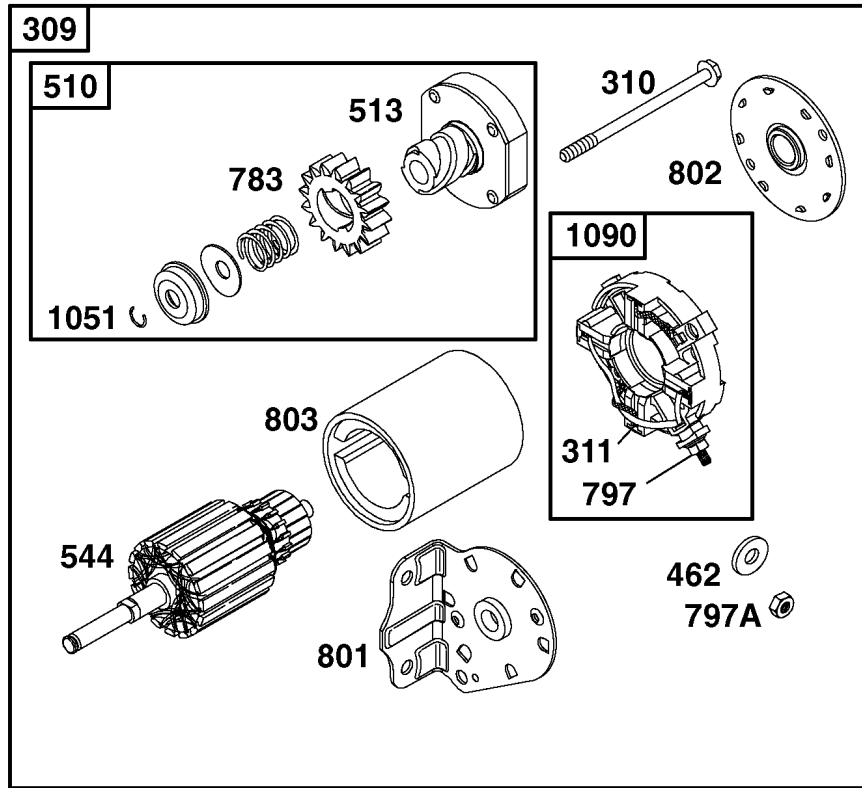
★ REQUIRES SPECIAL TOOLS TO INSTALL. SEE REPAIR INSTRUCTION MANUAL

Assemblies include all parts shown in frames.

Carburetor Assembly Briggs and Stratton 311777-0117-E1

Ref	Part No.	Qty.	Description
⑤1	692137	1	Gasket-Intake
⑤93	690602	1	Bushing-Shaft, Throttle
⑤94	498030	1	Idle Mixture Kit
⑤95	691636	1	Screw
⑤98	495800	1	Idle Speed Kit
⑤104	690525	1	Pin-Hinge, Carburetor Float
⑤105	231855	1	Valve-Needle, Float
⑤106	691780	1	Seat-Inlet
⑤108	690464	1	Valve-Choke
⑤108A	692344	1	Valve-Choke
⑤117	692408	1	Jet-Main (Standard)
⑤	692411	1	Jet-Main (High Altitude)
⑤125	693194	1	Carburetor
⑤127	695005	1	Plug-Welch
⑤130	691750	1	Valve-Throttle
⑤131	494379	1	Throttle Shaft Kit
⑤133	494381	1	Float-Carburetor
⑤137	281165	1	Gasket-Bowl, Float
⑤141	495097	1	Choke Shaft Kit
⑤141A	495931	1	Choke Shaft Kit
⑤142	692412	1	Nozzle-Carburetor
⑤186A	692317	1	Connector-Hose
⑤231	691636	1	Screw
⑤276	692255	1	Washer-Sealing

Ref	Part No.	Qty.	Description
⑤634	690801	1	Spring / Seal ASM
⑤634A	690802	1	Spring And Seal ASM
⑤692	690572	1	Spring-Detent
⑤729	691335	1	Clip-Wire
⑤789	692037	1	Wiring-Harness
⑤947	497972	1	Solenoid-Fuel
⑤987	691326	1	Seal-Shaft, Throttle
⑤1091	691333	1	Cap-Limiter

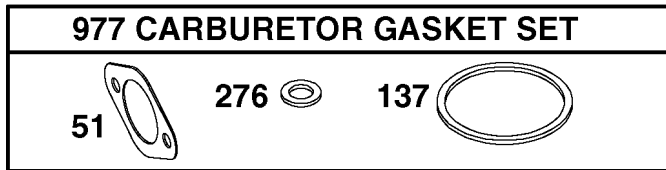
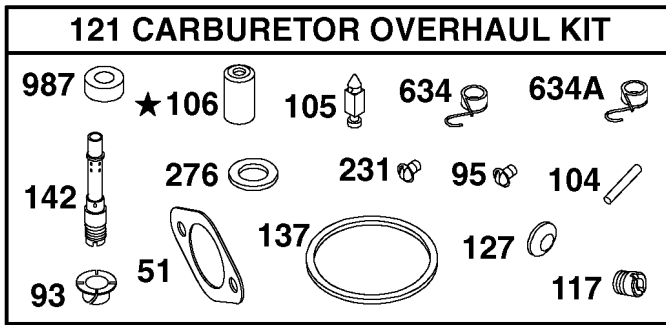


Assemblies include all parts shown in frames.

Starter Assembly Briggs and Stratton 311777-0117-E1

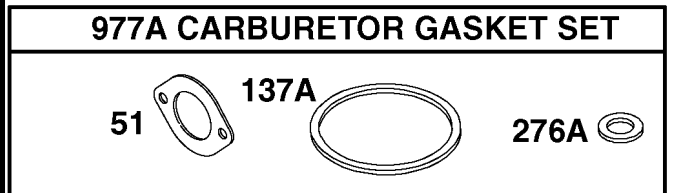
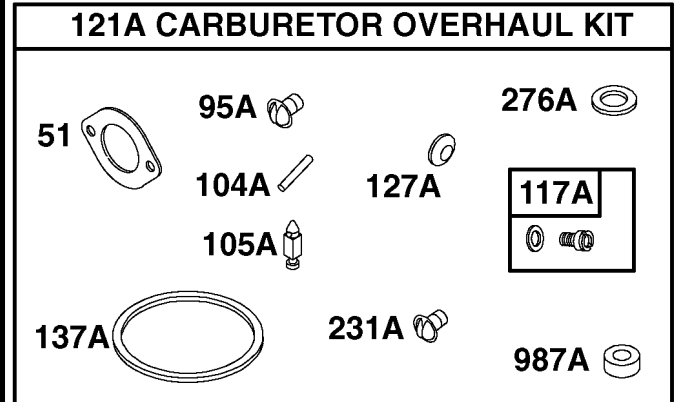
Ref	Part No.	Qty.	Description
309	693551	1	Motor-Starter
310	690323	1	Bolt
311	497608	1	Brush Set
462	691261	1	Washer
510	693699	1	Drive-Starter
513	692024	1	Clutch-Drive
544	692034	1	Armature-Starter
697	690372	1	Screw
783	693713	1	Gear-Pinion
797	693167	1	Nut
797A	691029	1	Nut
801	691429	1	Cap-Drive
802	691286	1	Cap-End
803	693757	1	Housing-Starter
1051	691265	1	Ring-Retaining
1090	691293	1	Retainer-Brush

WALBRO



★ REQUIRES SPECIAL TOOLS TO INSTALL. SEE REPAIR INSTRUCTION MANUAL.

NIKKI



Assemblies include all parts shown in frames.

Carburetor Overhaul Kit Assembly Briggs and Stratton 311777-0117-E1

Ref	Part No.	Qty.	Description
●51	692137	1	Gasket-Intake
●93	690602	1	Bushing-Shaft, Throttle
●95	691636	1	Screw
●95A	690718	1	Screw
●104	690525	1	Pin-Hinge, Carburetor Float
●104A	694918	1	Pin-Hinge, Float
●105	231855	1	Valve-Needle, Float
●105A	694922	1	Float Needle Valve
●106	691780	1	Seat-Inlet
●117	692408	1	Jet-Main (Standard)
●117A	695415	1	Jet-Main (Standard)
●	695416	1	Jet-Main (High Altitude)
●121	690191	1	Carburetor Kit
●121A	695427	1	Kit-Carburetor Overhaul
●127	695005	1	Plug-Welch
●127A	690727	1	Plug-Welch
●137	281165	1	Gasket-Bowl, Float
●137A	695426	1	Gasket-Float Bowl
●142	692412	1	Nozzle-Carburetor
●231	691636	1	Screw
●231A	690718	1	Screw
●276	692255	1	Washer-Sealing
●276A	695410	1	Washer-Sealing
●634	690801	1	Spring / Seal ASM

Ref	Part No.	Qty.	Description
●634A	690802	1	Spring And Seal ASM
●977	690192	1	Carburetor Gasket Set
●977A	695428	1	Set-Carburetor Gasket
●987	691326	1	Seal-Shaft, Throttle
●987A	690998	1	Seal-Shaft, Choke

NOTES

NOTES

