



Z18-52 TimeCutter™ Z Riding Mower

Model No. 74801 - 220000001 and up.

Parts Catalog

Ordering Replacement Parts

To order replacement parts, please supply the part number, the quantity, and the description of each part desired.

Understanding Reference Numbers

Each identified part in an illustration has a reference number. The reference number for a part also appears in the parts list, along with other information about the part.

This catalog uses two special reference number formats, one to indicate parts in a service assembly and another to indicate the quantity of a given part in an illustration.

Service Assembly Reference Numbers

Parts in service assemblies have reference numbers in the form a:b. The a represents the reference number of the entire service assembly and the b represents a sequential number unique to each part within the service assembly.

For example, a wheel assembly might be identified by reference number 6, the tire by 6:1, the valve by 6:2, and the wheel by 6:3. When you order the assembly identified by reference number 6, you receive all parts identified by reference numbers 6:1, 6:2, and 6:3. However, you may also order any part individually. Reference numbers of this type appear in illustrations and in part lists.

Reference Numbers Indicating Quantity

In an illustration, if a reference number indicates more than one part, the reference number has the form nX y. The n represents the quantity of the part, the X is the multiplication symbol, and the y represents the reference number.

For example, in an illustration, the reference number 2X 37 means that two of the parts identified by reference number 37 are indicated.

Contents

Description	Page	Description	Page
Front Frame Assembly	3	Valve / Camshaft Assembly Kawasaki FH 531V-AS07	20
Height-of-Cut Handle and Plate Assembly	4	Lubrication Equipment Assembly Kawasaki FH 531V-AS07	21
Main Frame Assembly	5	Cooling Equipment Assembly Kawasaki FH 531V-AS07	22
Fuel Tank and Control Pod Assembly	6	Electric Equipment Assembly Kawasaki FH 531V-AS07	23
Parking Brake Assembly	7	Control Equipment Assembly Kawasaki FH 531V-AS07	24
Motion Control Assembly	8	Carburetor Assembly Kawasaki FH 531V-AS07	25
Hydro and Belt Drive Assembly	9	Air Filter / Muffler Assembly Kawasaki FH 531V-AS07	26
Engine and Clutch Assembly	10	Fuel Tank / Fuel Valve Assembly Kawasaki FH 531V-AS07	27
Electrical Assembly	11	Starter Assembly Kawasaki FH 531V-AS07	28
52 Inch Deck Assembly	12	Label Assembly Kawasaki FH 531V-AS07	29
52 Inch Deck Belt Drive and Lift Assembly	13		
RH Hydro Transaxle Assembly No. 100-7360	14		
LH Hydro Transaxle Assembly No. 100-7361	16		
Cylinder / Crankcase Assembly Kawasaki FH 531V-AS07	18		
Piston / Crankshaft Assembly Kawasaki FH 531V-AS07	19		

Part Description Abbreviations

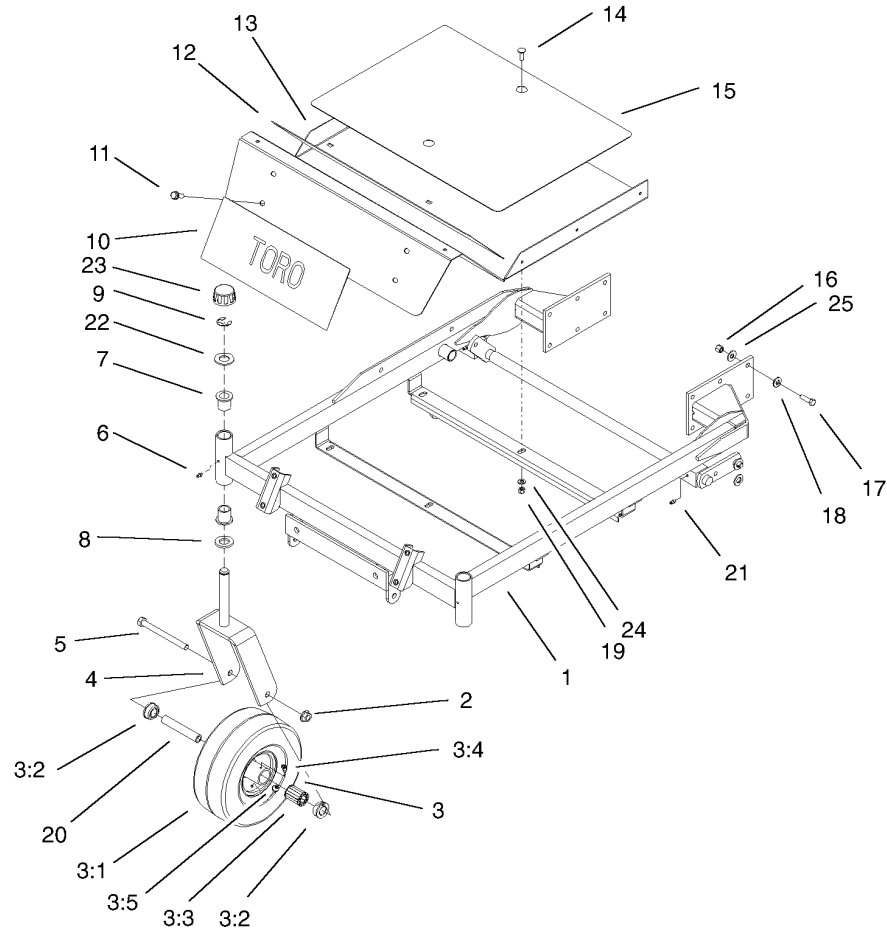
Part descriptions in this catalog may include the following abbreviations.

AR. as required	HYD. hydraulic
ASM. assembly	LH. left hand
BBC. blade brake clutch	NI. nylon insert
CARR. carriage	NPTF. national pipe thread fine
DEG. degrees	PFH. phillips flat head
EXT. external	PPH. phillips pan head
FH. flat head	PPHTF. phillips pan head thread forming
GA. gauge	PRH. phillips round head
HD. heavy-duty	PTH. phillips truss head
HF. hex flange	PTO. power-take-off
HH. hex head	RH. right hand
HHF. hex head flange	ROPS. roll-over protection system
HHFTF. hex head flange thread forming	SFH. slotted fillister head
HJ. hex jam	SHH. slotted hex head
HLH. hex lag head	SHWH. slotted hex washer head
HOC. height-of-cut	SPH. slotted pan head
HSBH. hex socket button head	SQH. square head
HSFH. hex socket flat head	SRH. slotted round head
HSH. hex socket head	STD. standard
HWH. hex washer head	TAP. self tapping
HWHTF. hex washer head thread forming	TTH. torx truss head

Footnotes

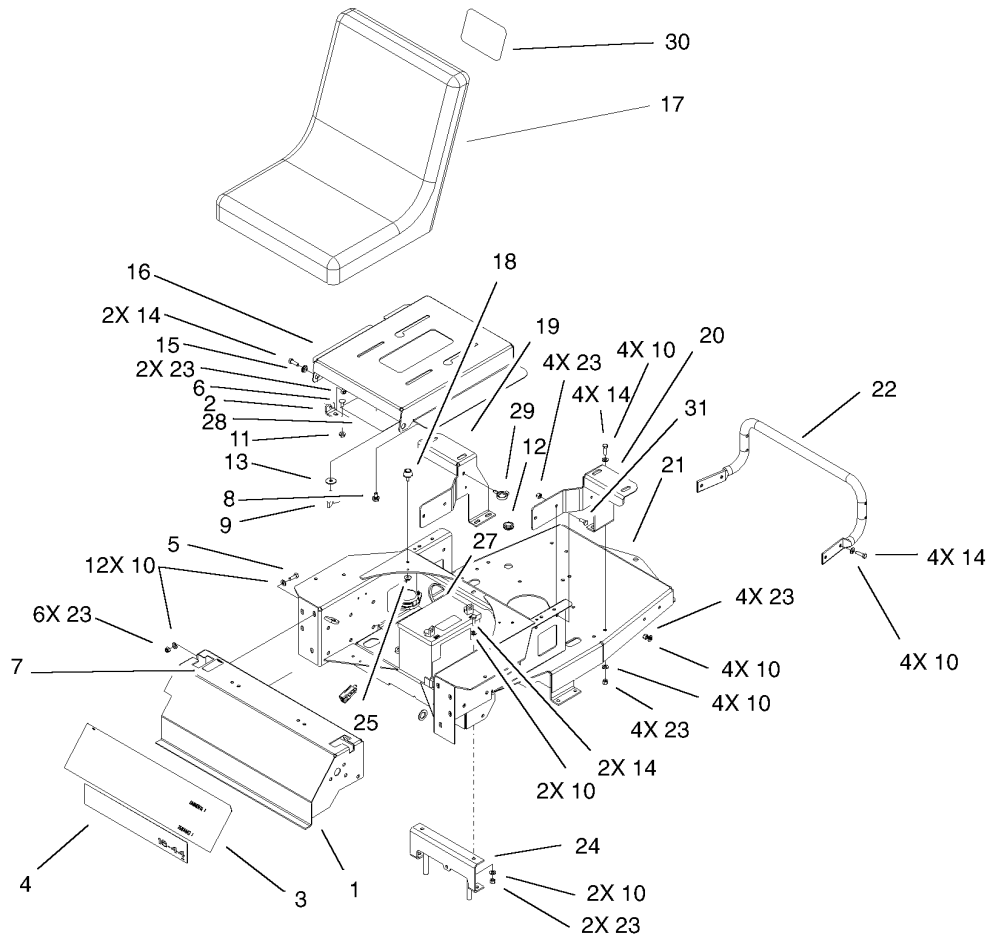
- ❶ Not illustrated
- ❷ Obtain from your local Kawasaki dealer

- ❸ Not serviced



Front Frame Assembly

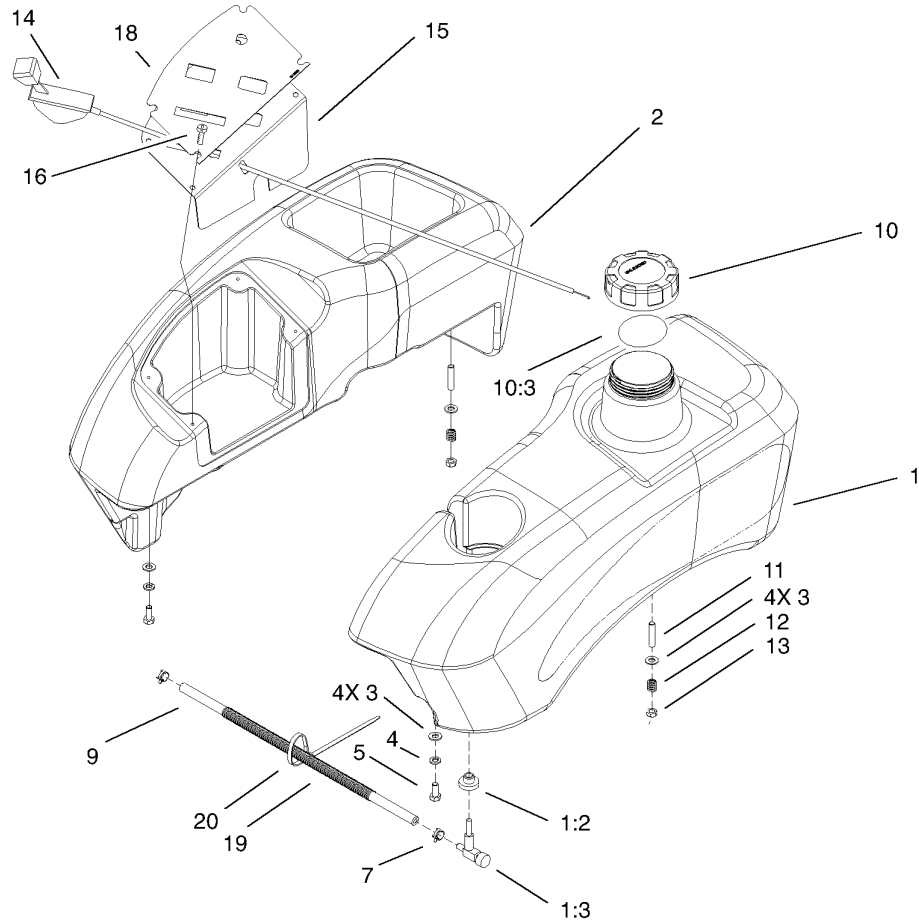
Ref	Part No.	Qty.	Description	Ref	Part No.	Qty.	Description
1	100-7357-01	1	Carrier Frame ASM	20	104-3667	2	Spanner-Wheel
2	32128-23	2	Nut-HF	21	302-19	2	Fitting-Grease
3	100-7364	2	Caster Wheel ASM	22	104-8076	2	Washer
3:1	105-1943	1	Tire	23	61-9780	2	Cap-Hub
3:2	62-5580	2	Bearing-Outside	24	3256-23	6	Washer-Flat
3:3	83-4740	1	Bearing	25	1-809107	12	Washer-Hardened
3:4	302-11	1	Fitting-Lube, 45 DEG				
3:5	232-27	1	Stem-Valve				
4	100-7363-01	2	Caster Fork ASM				
5	325-22	2	Screw-HH				
6	302-5	2	Fitting-Grease				
7	1-303514	4	Bearing-Flanged				
8	1-513338	2	Washer-Flat				
9	32151-103	2	Ring-Retaining, EXT				
10	104-8016	1	Decal				
11	66-9300	4	Screw-HF				
12	104-3639	1	Pad-Skid, Anti				
13	100-7386-03	1	Floorpan				
14	3230-28	6	Screw-CARR				
15	104-3640	1	Pad-Skid, Anti				
16	3296-39	12	Nut-Lock, NI				
17	323-7	12	Screw-HH				
18	98-5975	12	Washer-Belleville				
19	3296-29	6	Nut-Lock, NI				



Main Frame Assembly

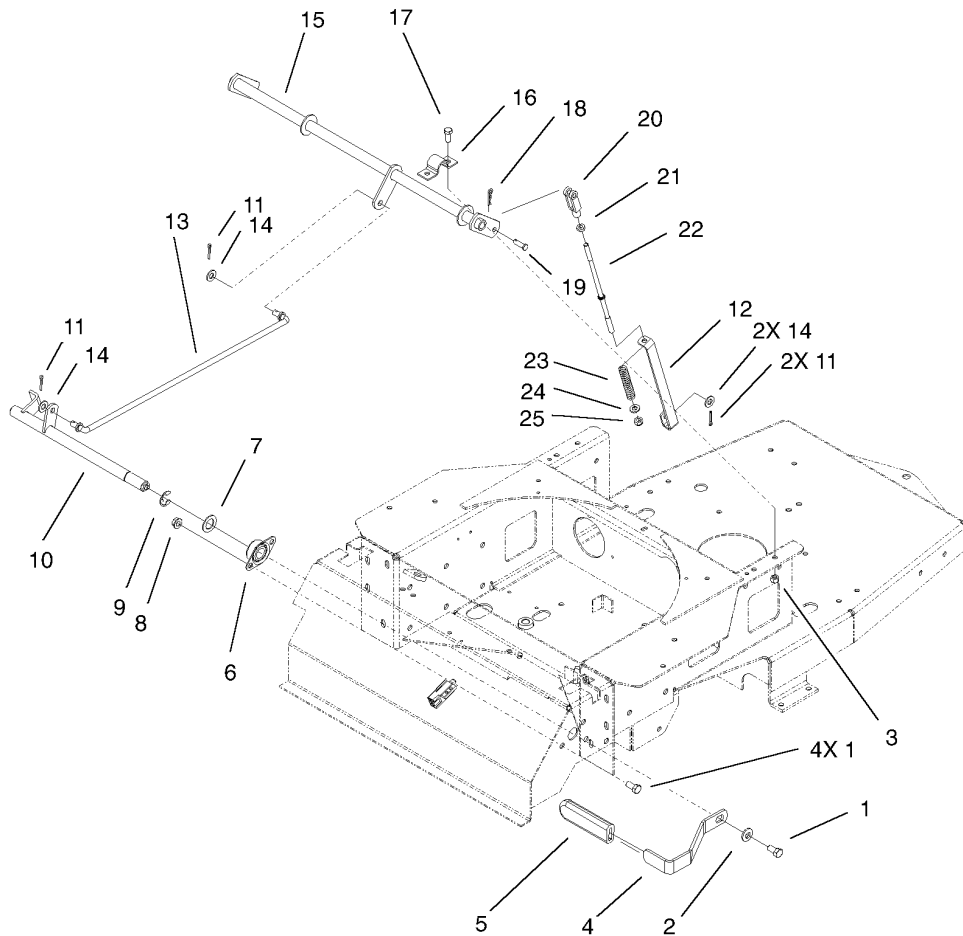
Ref	Part No.	Qty.	Description
1	104-8040-03	1	Console
2	104-8057-03	2	Bracket-Pivot
3	104-8014	1	Decal-Console
4	104-8085	1	Decal
5	322-4	6	Screw-HH
6	104-8049	4	Screw-CARR
7	1-633354	2	Decal-Control, Motion
8	37-8770	2	Bolt-Shoulder
9	92-9674	2	Knob
10	3256-23	32	Washer-Flat
11	32128-25	4	Nut-HF
12	237-124	1	Grommet
13	5-4460	2	Washer-Pivot
14	322-5	12	Screw-HH
15	105503	2	Bushing
16	104-8058-03	1	Pan-Seat
17	105-6962	1	Seat
18	1-523420	2	Bumper
19	100-7376-01	1	Bracket-RH
20	100-7368-01	1	Bracket-LH
21	100-7367-01	1	Frame-Rear
22	100-7332-03	1	Rod-Support, Rear
23	3296-29	22	Nut-Lock, NI
24	105-6987-03	1	Bracket

Ref	Part No.	Qty.	Description
25	32128-33	2	Nut-HF
27	105-1854	1	Cover-Conduit
28	104-8088	1	Decal-Service
29	105-1853	2	Clamp-Hose
30	93-7340	1	Decal
31	322-3	4	Screw-HH



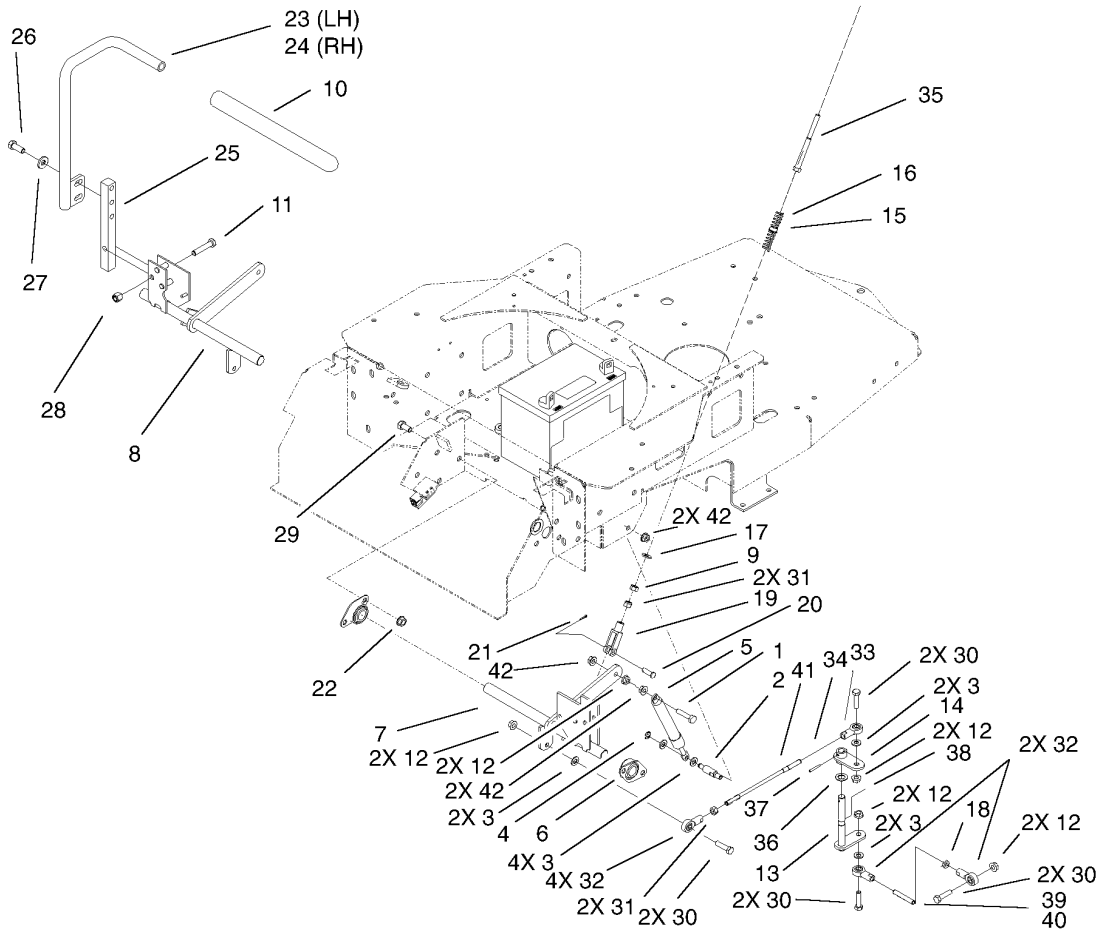
Fuel Tank and Control Pod Assembly

Ref	Part No.	Qty.	Description
1	105-3403	1	Fuel Tank ASM
1:2	46-6560	1	Bushing
1:3	104048	1	Valve-Fuel
2	104-3649	1	Tank-Console
3	3256-23	8	Washer-Flat
4	3253-4	4	Washer-Lock
5	322-3	4	Screw-HH
7	2412-98	2	Clamp
9	104-8060	1	Hose-Fuel
10	88-3980	1	Gas Cap ASM
10:3	88-4010	1	Gasket-Cap, Gas
11	1-633023	4	Stud
12	1-633349	4	Spring-Tank, Fuel
13	3296-47	4	Nut-Lock, NI
14	104-8081	1	Cable-Throttle
15	104-3664-03	1	Panel-Control
16	3250-14	4	Screw-PPH
18	104-8009	1	Decal-Panel, Control
19	105-1854	1	Cover-Conduit
20	614249	1	Strap-Tie



Parking Brake Assembly

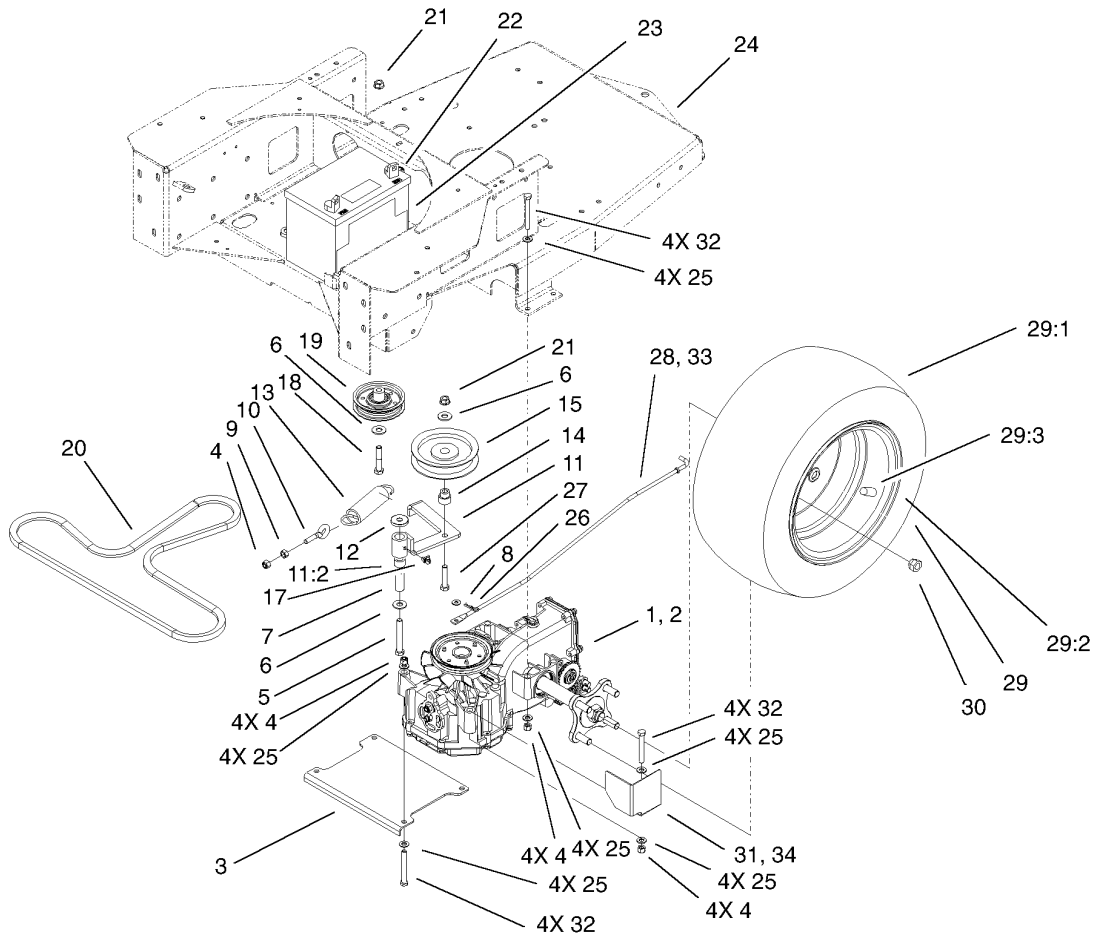
Ref	Part No.	Qty.	Description	Ref	Part No.	Qty.	Description
1	323-4	5	Screw-HH	25	3296-4	2	Nut-Lock
2	98-5975	1	Washer-Belleville				
3	3296-29	4	Nut-Lock, NI				
4	100-7346-03	1	Handle-Brake, Park				
5	1-633268	1	Grip-Lever, Brake				
6	1-633102	2	Bearing-Flange, Side				
7	1-303007	1	Washer				
8	3290-357	4	Nut-HHF, Whiz				
9	32151-48	1	E-Ring				
10	100-7318	1	Brake Shaft ASM				
11	3272-10	4	Pin-Cotter				
12	104-3675	2	Bracket-Spring, Brake				
13	104-8046	1	Rod-Brake, Upper				
14	3256-24	4	Washer-Flat				
15	104-3670-03	1	Shaft-Brake				
16	88-4730	2	Clamp-Pivot, HOC				
17	322-3	4	Screw-HH				
18	1-806003	2	Pin-Hair				
19	1-808280	2	Pin-Clevis				
20	1-303105	2	Yoke-Adjustable				
21	3219-2	2	Nut-Hex				
22	104-3674	2	Rod-Brake, Upper				
23	38-4520	2	Spring				
24	3256-23	2	Washer-Flat				



Motion Control Assembly

Ref	Part No.	Qty.	Description
1	1-403180	2	Screw-HH
2	1-653316	2	Pin-Damper
3	3256-23	10	Washer-Flat
4	32120-35	2	Ring-Retaining, EXT
5	103-2913	2	Damper-Control, Motion
6	1-633102	4	Bearing-Flange, Side
7	100-7341	1	Bracket-Motion Control, LH
8	100-7340	1	Bracket-Motion Control, RH
9	3296-4	2	Nut-Lock
10	1-633257	2	Grip-Control, Motion
11	323-9	2	Screw-HH
12	32128-20	10	Nut-HF
13	100-7311	2	Pivot ASM
14	100-7313	2	Pivot Plate ASM
15	1-603735	2	Bushing-Flanged
16	1-603807	2	Spring-Return, Neutral
17	3256-2	2	Washer-Flat
18	3220-2	2	Nut-Jam
19	1-303105	2	Yoke-Adjustable
20	1-808280	2	Pin-Clevis
21	3272-5	2	Pin-Cotter
22	3290-357	6	Nut-HHF, Whiz
23	103-0409-03	1	Lever-Control, LH
24	103-0410-03	1	Lever-Control, RH

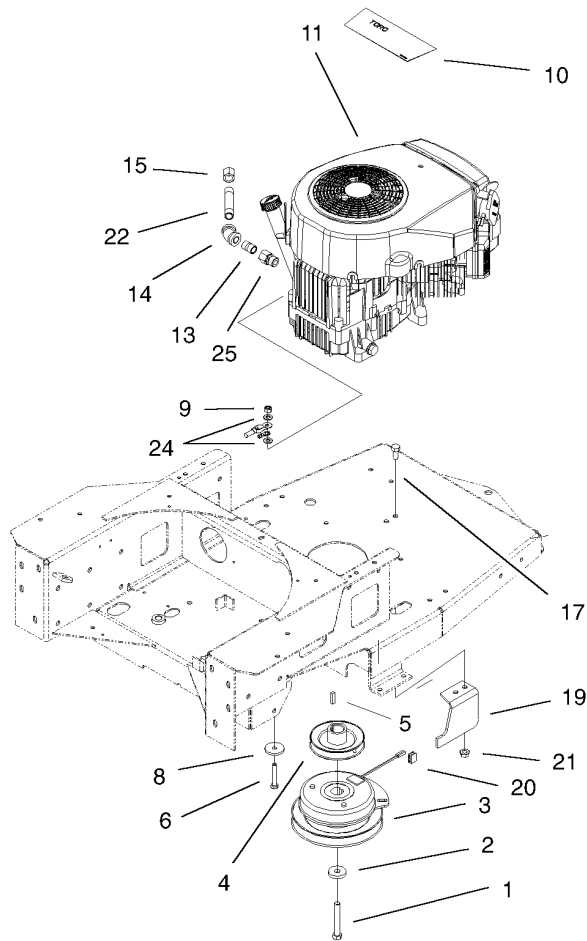
Ref	Part No.	Qty.	Description
25	103-0407	2	Arm-Shaft, Control
26	323-6	4	Screw-HH
27	98-5975	4	Washer-Belleville
28	3296-39	2	Nut-Lock, NI
29	323-4	6	Screw-HH
30	322-5	8	Screw-HH
31	3219-2	4	Nut-Hex
32	1-543017	6	Balljoint-RH
33	1-633152	2	Balljoint-LH
34	1-804524	2	Nut
35	1-603737	2	Bolt-Return, Neutral
36	100-7336	2	Washer
37	933156	2	Pin-Roll
38	302-11	2	Fitting-Lube, 45 DEG
39	104-3606	1	Linkage-Lower, RH
40	104-3607	1	Linkage-Lower, LH
41	104-3605	2	Linkage-Upper
42	32128-25	6	Nut-HF



Hydro and Belt Drive Assembly

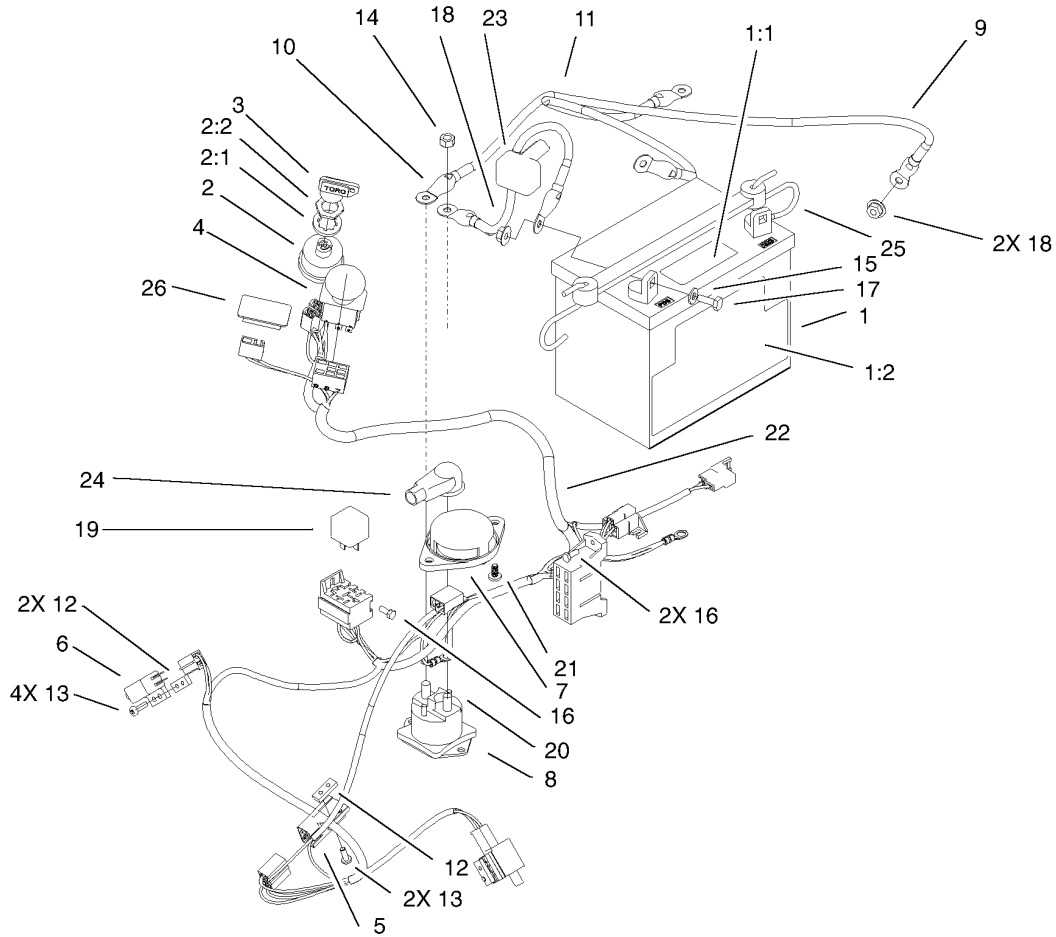
Ref	Part No.	Qty.	Description
1	100-7361	1	Hydro-LH
2	100-7360	1	Hydro-RH
3	100-7317-03	1	Plate-Hydro, Lower
4	3296-29	13	Nut-Lock, NI
5	323-13	1	Screw-HH
6	3256-4	3	Washer-Flat
7	1-603044	1	Bushing
8	3256-1	2	Washer-Flat
9	32128-20	1	Nut-HF
10	55-9420	1	Bolt-Eye
11	104-3614	1	Idler Arm ASM
11:2	1-513034	2	Sleeve-Bearing
12	104-8005	1	Spacer
13	1-603414	1	Spring-Extension
14	1-603496	1	Bushing-Idler
15	1-603843	1	Pulley-Idler
17	302-40	1	Fitting-Grease
18	323-10	1	Screw-HH
19	104-3630	1	Pulley-Idler
20	104-3622	1	Belt-V
21	32128-21	2	Nut-HF
22	3296-39	1	Nut-Lock, NI
23	98-5975	1	Washer-Belleville
24	104-8008	1	Decal-Transport

Ref	Part No.	Qty.	Description
25	3256-23	24	Washer-Flat
26	1-806003	2	Pin-Hair
27	323-9	1	Screw-HH
28	104-3669	1	Rod-LH
29		2	Wheel And Tire ASM
29:1	105-1945	1	Tire
29:2	105-1947	1	Wheel
29:3	232-27	1	Stem-Valve
30	242-50	8	Nut-Lug
31	104-8013-03	1	Guard-Fan, RH
32	322-13	12	Screw-HH
33	104-3668	1	Rod-RH
34	104-8033-03	1	Guard-Fan, LH



Engine and Clutch Assembly

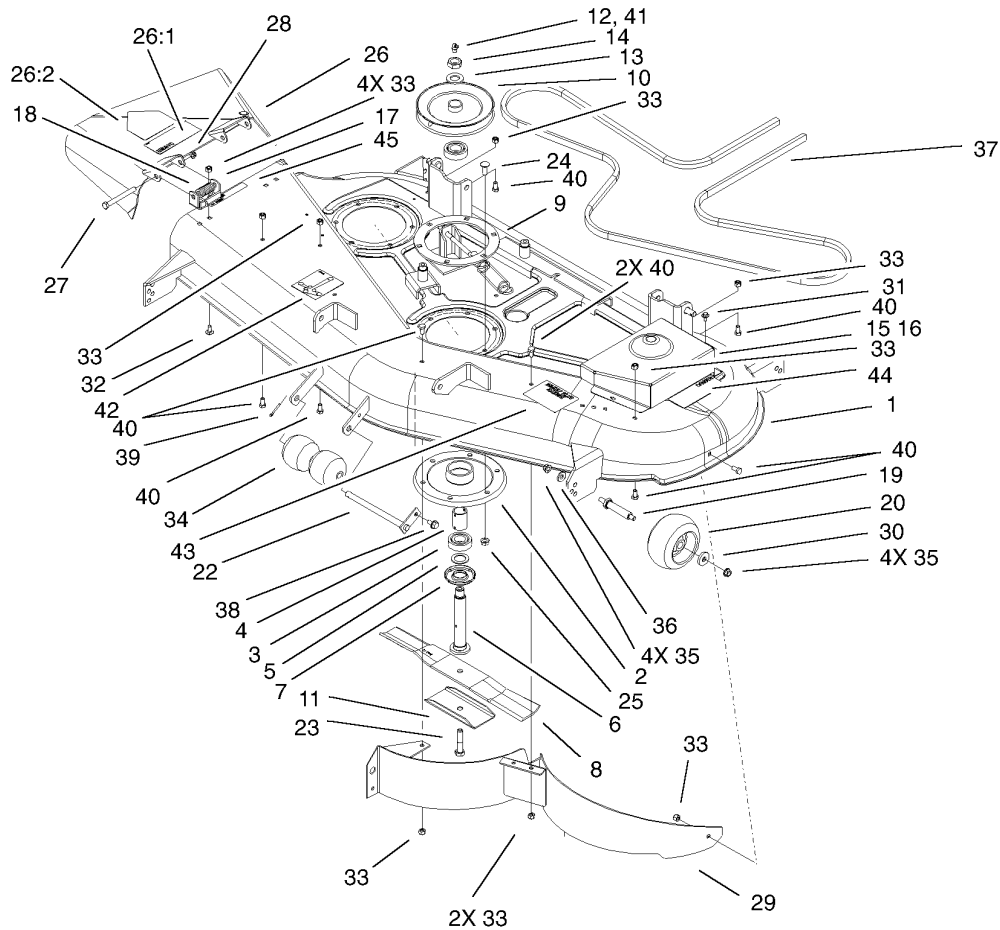
Ref	Part No.	Qty.	Description				
1	3212-12	1	Screw-HH				
2	112843	1	Washer				
3	104-3624	1	Clutch				
4	100-7314	1	Pump Drive Pulley ASM				
5	5-7280	1	Key				
6	322-9	4	Screw-HH				
8	62-7190	4	Spacer-Steel				
9	3296-29	4	Nut-Lock, NI				
10	105-1859	1	Decal-Engine Kawasaki				
11		1	Engine-Kawasaki, FH 531V-As07				
13	289-49	1	Nipple				
14	104-8019	1	Elbow-45 DEG				
15	288-10	1	Cap-Pipe				
17	323-4	2	Screw-HH				
19	104-3613-03	1	Stop-Clutch				
20	98-5023	1	Bumper				
21	32128-21	2	Nut-HF				
22	105-1936	1	Pipe-Nipple				
24	3256-23	5	Washer-Flat				
25	103-1966	1	Adapter				



Electrical Assembly

Ref	Part No.	Qty.	Description
1	104-2491	1	Battery
1:1	104-4163	1	Decal-Battery
1:2	104-5091	1	Decal-Battery
2	88-9830	1	Key Switch ASM
2:1	3254-5	1	Washer-Tooth
2:2	218-461	1	Nut-HH
3	63-8360	1	Key-Ignition
4	95-7489	1	Switch-PTO
5	86-4690	1	Switch-Interlock
6	65-7410	2	Switch-Pole, Single
7	105-6959	1	Switch-Seat
8	28-4210	1	Solenoid
9	28-3891	1	Wire-Solenoid/Starter
10	93-1189	1	Wire ASM
11	93-0324	1	Cable
12	1-633181	3	Plate-Tapped
13	32144-8	6	Screw-PPHTF
14	32149-1	2	Nut-Keps
15	3256-22	2	Washer-Flat
16	32144-1	3	Screw-Taptite
17	321-4	2	Screw-HH
18	32128-33	3	Nut-HF
19	98-7249	1	Relay
20	32144-4	2	Screw-HWH

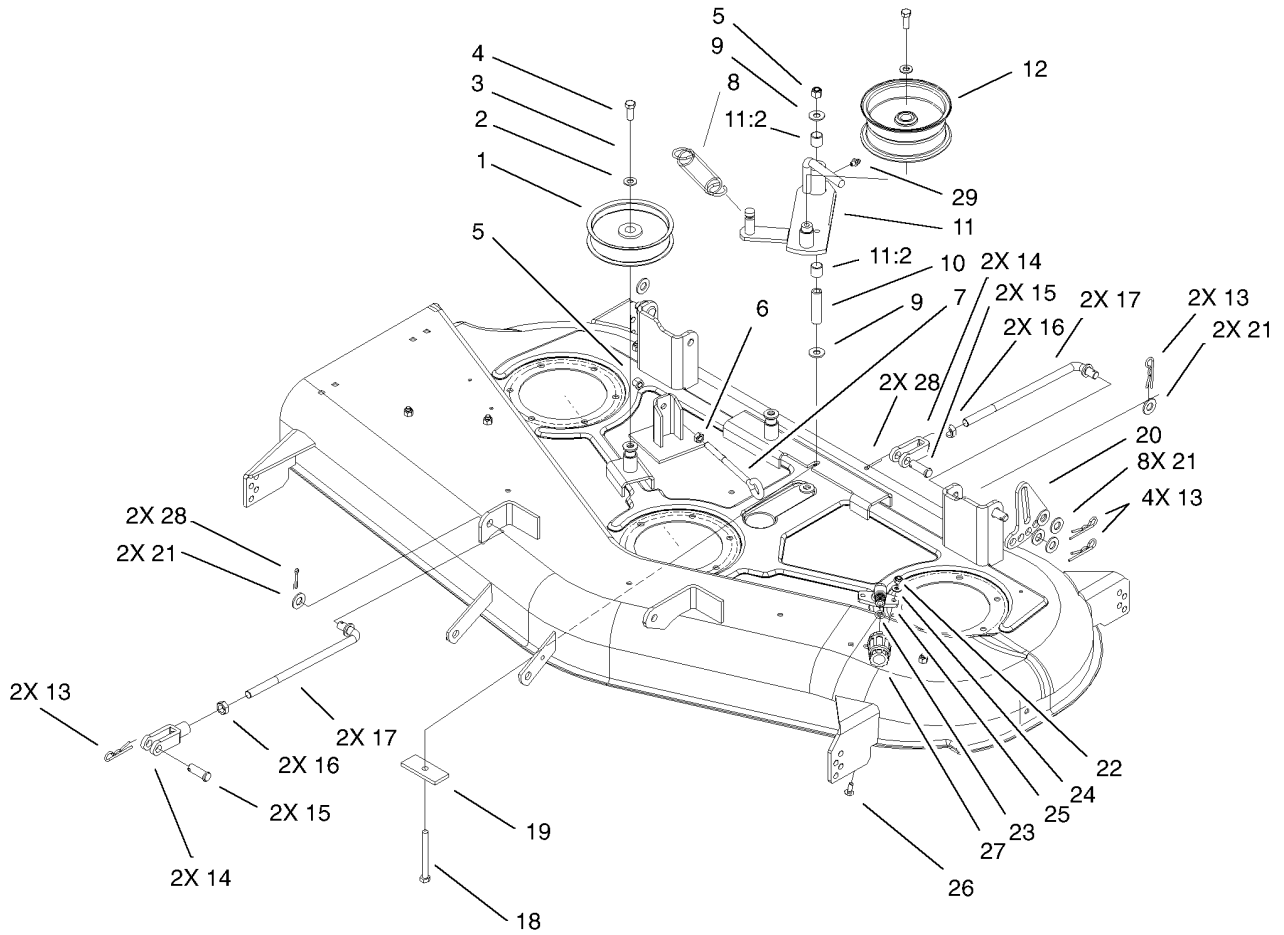
Ref	Part No.	Qty.	Description
21	105-6968	2	Screw-Seat, Switch
22	105-1934	1	Harness-Wire Kawasaki V-Twin
23	28-8080	1	Boot-Terminal
24	93-3190	1	Boot-Insulator, Terminal
25	104-2466	1	Holddown-Battery
26	99-7420	1	Plug-Hole



52 Inch Deck Assembly

Ref	Part No.	Qty.	Description
1	105-1949	1	Deck ASM
2	79-2480-03	3	Housing-Spindle
3	113514	6	Bearing-Ball
4	79-1890	3	Spacer-Bearing
5	120860	3	Washer-Wheel
6	79-1910	3	Shaft-Spindle
7	79-1920	3	Shield-Bearing
8	27-0990-03	3	Blade-18 Inch
9	27-7680-01	3	Ring-Deck Support
10	100-7320	3	Pulley/Hub ASM
11	92-9820	3	Stiffener-Blade
12	302-2	2	Fitting-Grease
13	3256-28	3	Washer-Flat
14	3220-7	3	Nut-Jam
15	104-3685-01	1	Cover-Belt, LH
16	104-3684-01	1	Cover-Belt, RH
17	29-5590-03	2	Bracket-Pivot
18	40-6230	2	Spring
19	99-2842	4	Spacer
20	68-2730	4	Wheel-Gage
22	98-5030	1	Shaft ASM
23	44-2200	3	Screw-Blade
24	3231-22	18	Screw-CARR
25	32128-21	18	Nut-HF

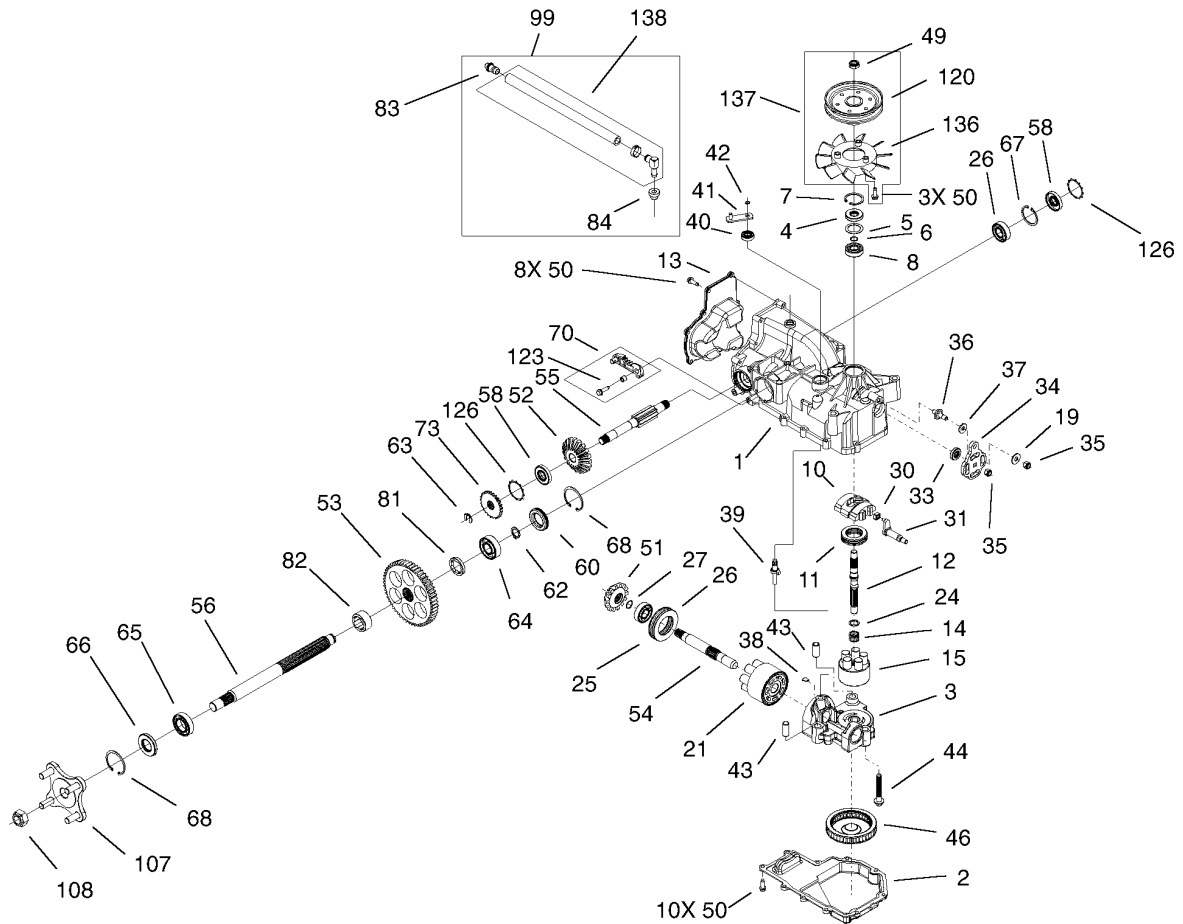
Ref	Part No.	Qty.	Description
26	94-1580	1	Deflector ASM
26:1	92-7108	1	Decal-Danger
26:2	93-1122	1	Decal-Danger
27	3211-15	2	Screw-HH
28	3296-5	2	Nut-Lock
29	94-2509-03	1	Baffle-Mulch, LH
30	1-373034	4	Washer
31	46-8560	5	Screw-HHF
32	3230-18	4	Screw-CARR
33	3296-29	12	Nut-Lock, NI
34	29-4820	2	Roller
35	3290-357	8	Nut-HHF, Whiz
36	98-5975	4	Washer-Belleville
37	99-3904	1	Belt-Deck
38	32144-14	1	Screw-HWHTF
39	3272-11	1	Pin-Cotter
40	322-2	8	Screw-HH
41	302-33	1	Fitting-Grease
42	99-3943	1	Decal-Routing, Belt
43	98-3798	1	Decal-Wheel, Gage
44	92-7108	1	Decal-Danger
45	92-7109	1	Decal-Caution



52 Inch Deck Belt Drive and Lift Assembly

Ref	Part No.	Qty.	Description
1	1-613098	2	Pulley-Idler
2	3256-24	3	Washer-Flat
3	98-5975	3	Washer-Belleville
4	323-6	3	Screw-HH
5	3296-39	2	Nut-Lock, NI
6	3217-7	1	Nut-Hex
7	94-2547	1	Bolt-Eye
8	1-633151	1	Spring-Extension
9	1-809107	2	Washer-Hardened
10	1-603384	1	Bushing-Pivot, Idler
11	99-3879	1	Idler Arm ASM
11:2	1-513034	2	Sleeve-Bearing
12	1-413099	1	Pulley-Idler
13	1-806005	8	Pin-Hair
14	100-7338	4	Clevis
15	104-3634	4	Pin-Clevis
16	3220-5	4	Nut-Jam
17	104-8047	4	Rod-Trunion
18	1-800805	1	Screw-HH
19	104-8037-01	1	Plate-Bolt, Retainer
20	104-3699-01	2	Link-HOC, Adjusting
21	3256-26	12	Washer-Flat
22	3296-16	2	Nut-Lock, NI
23	46-6290	1	O-Ring

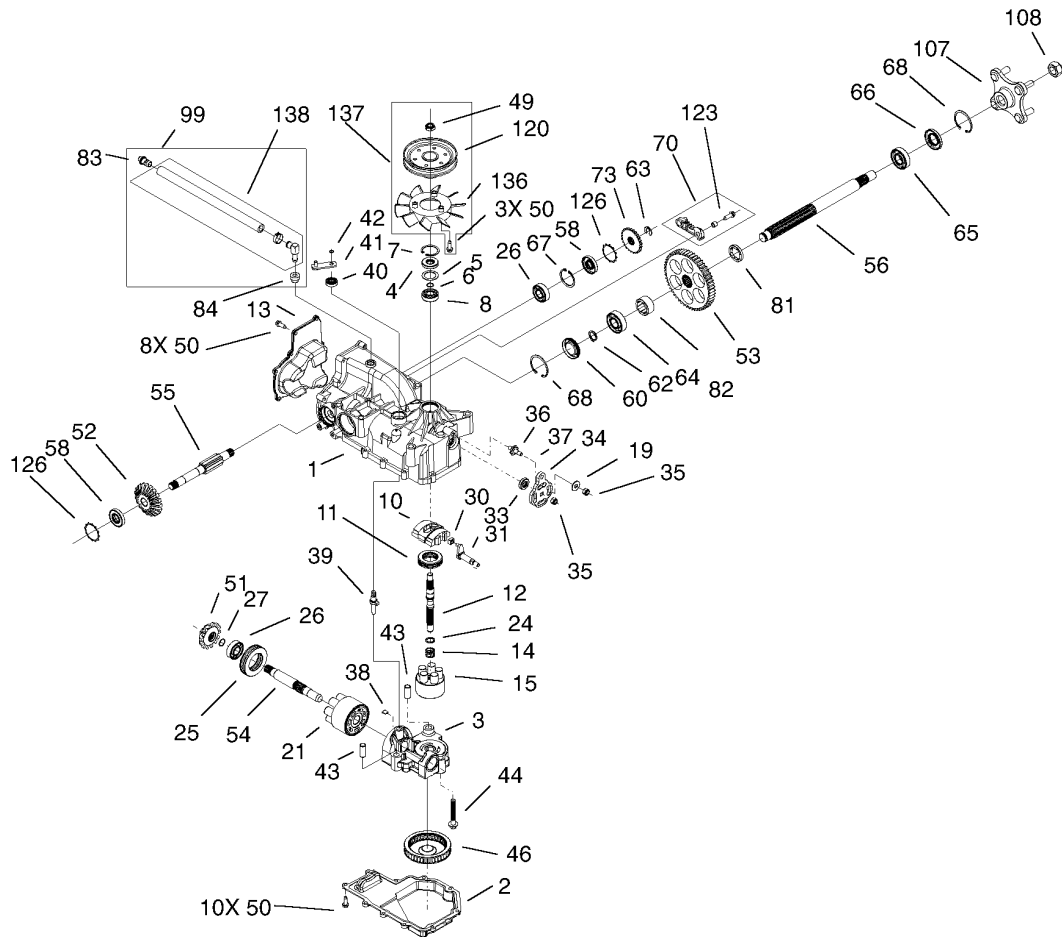
Ref	Part No.	Qty.	Description
24	3256-1	2	Washer-Flat
25	95-2747	1	Fitting-Washout
26	3229-1	2	Screw-CARR
27	95-3270	1	Connector-Hose
28	3272-10	4	Pin-Cotter
29	302-19	1	Fitting-Grease



RH Hydro Transaxle Assembly No. 100-7360

Ref	Part No.	Qty.	Description
1	105-1867	1	Main Housing Kit
2	105-1868	1	Housing-Lower
3	105-1869	1	Center Section Kit ASM
4	92-6543	1	Seal-Lip
5	104-2104	1	Spacer
6	94-1902	1	Ring-Wire, Retaining
7	94-1903	1	Ring-Retaining
8	94-1904	1	Bearing-Shaft, Ball
10	94-1907	1	Swashplate-Variable
11	94-6922	1	Bearing-Thrust
12	104-5067	1	Shaft-Input
13	105-1870	1	Cover-Back
14	94-1936	1	Spring-Block
15	104-2106	1	Cylinder Block ASM
19	104-2146	1	Washer
21	94-1913	1	Cylinder Block ASM
24	94-1937	1	Washer-Thrust, Block
25	94-6923	1	Bearing-Thrust
26	104-5311	2	Bearing-Ball
27	104-5307	1	Ring-Retaining
30	94-1910	1	Guide-Slot
31	104-2112	1	Trunnion ASM
33	92-6544	1	Seal-Lip
34	105-1871	1	Arm-Control

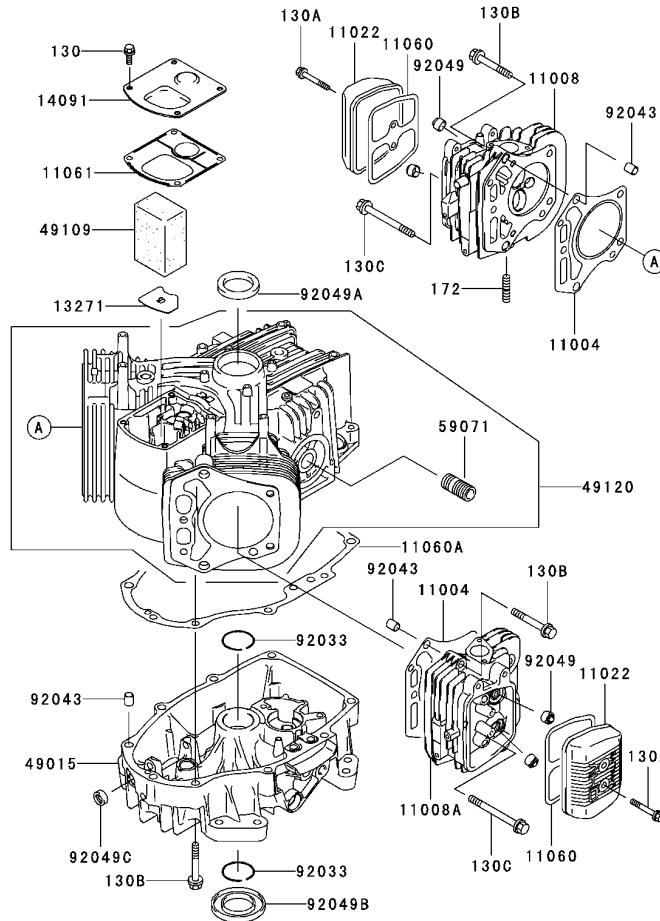
Ref	Part No.	Qty.	Description
35	105-1872	2	Nut
36	104-2116	1	Stud
37	105-1873	1	Puck-Friction
38	94-6925	1	Plate-Bypass
39	94-1914	1	Actuator-Bypass
40	92-6545	1	Seal-Lip
41	104-2117	1	Arm-Bypass
42	936109	1	Ring-Retaining
43	94-1927	2	Pin
44	94-6926	3	Bolt
46	105-1874	1	Filter
49	105-1875	1	Nut-Lock
50	104-2120	21	Screw
51	105-1876	1	Gear-Bevel, 14T
52	105-1877	1	Gear-Bevel, 19T
53	105-1878	1	Gear-Bevel, 53T
54	105-1879	1	Shaft-Motor
55	105-1880	1	Shaft-Brake
56	105-1881	1	Shaft-Axle
58	104-5310	2	Seal-Lip
60	105-1882	1	Plug-Side Seal
62	105-1883	1	Ring-Axle, Retaining
63	105-1884	1	Ring-Retaining
64	105-1885	1	Bearing-Ball



LH Hydro Transaxle Assembly No. 100-7361

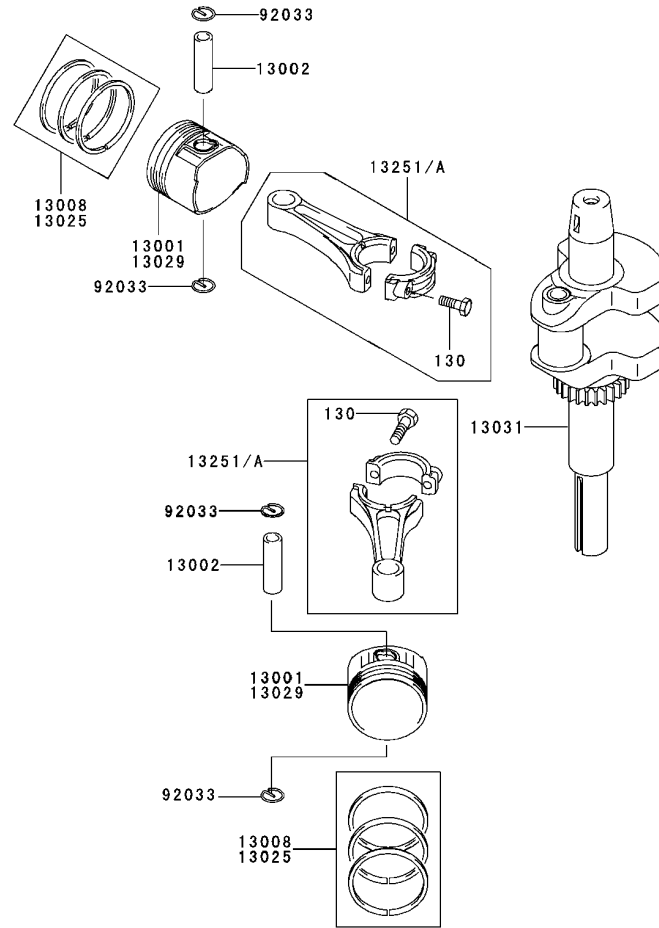
Ref	Part No.	Qty.	Description
1	105-1867	1	Main Housing Kit
2	105-1868	1	Housing-Lower
3	105-1869	1	Center Section Kit ASM
4	92-6543	1	Seal-Lip
5	104-2104	1	Spacer
6	94-1902	1	Ring-Wire, Retaining
7	94-1903	1	Ring-Retaining
8	94-1904	1	Bearing-Shaft, Ball
10	94-1907	1	Swashplate-Variable
11	94-6922	1	Bearing-Thrust
12	104-5067	1	Shaft-Input
13	105-1870	1	Cover-Back
14	94-1936	1	Spring-Block
15	104-2106	1	Cylinder Block ASM
19	104-2146	1	Washer
21	94-1913	1	Cylinder Block ASM
24	94-1937	1	Washer-Thrust, Block
25	94-6923	1	Bearing-Thrust
26	104-5311	2	Bearing-Ball
27	104-5307	1	Ring-Retaining
30	94-1910	1	Guide-Slot
31	104-2112	1	Trunnion ASM
33	92-6544	1	Seal-Lip
34	105-1871	1	Arm-Control

Ref	Part No.	Qty.	Description
35	105-1872	2	Nut
36	104-2116	1	Stud
37	105-1873	1	Puck-Friction
38	94-6925	1	Plate-Bypass
39	94-1914	1	Actuator-Bypass
40	92-6545	1	Seal-Lip
41	104-2117	1	Arm-Bypass
42	936109	1	Ring-Retaining
43	94-1927	2	Pin
44	94-6926	3	Bolt
46	105-1874	1	Filter
49	105-1875	1	Nut-Lock
50	104-2120	21	Screw
51	105-1876	1	Gear-Bevel, 14T
52	105-1877	1	Gear-Bevel, 19T
53	105-1878	1	Gear-Bevel, 53T
54	105-1879	1	Shaft-Motor
55	105-1880	1	Shaft-Brake
56	105-1881	1	Shaft-Axle
58	104-5310	2	Seal-Lip
60	105-1882	1	Plug-Side Seal
62	105-1883	1	Ring-Axle, Retaining
63	105-1884	1	Ring-Retaining
64	105-1885	1	Bearing-Ball



Cylinder / Crankcase Assembly Kawasaki FH 531V-AS07

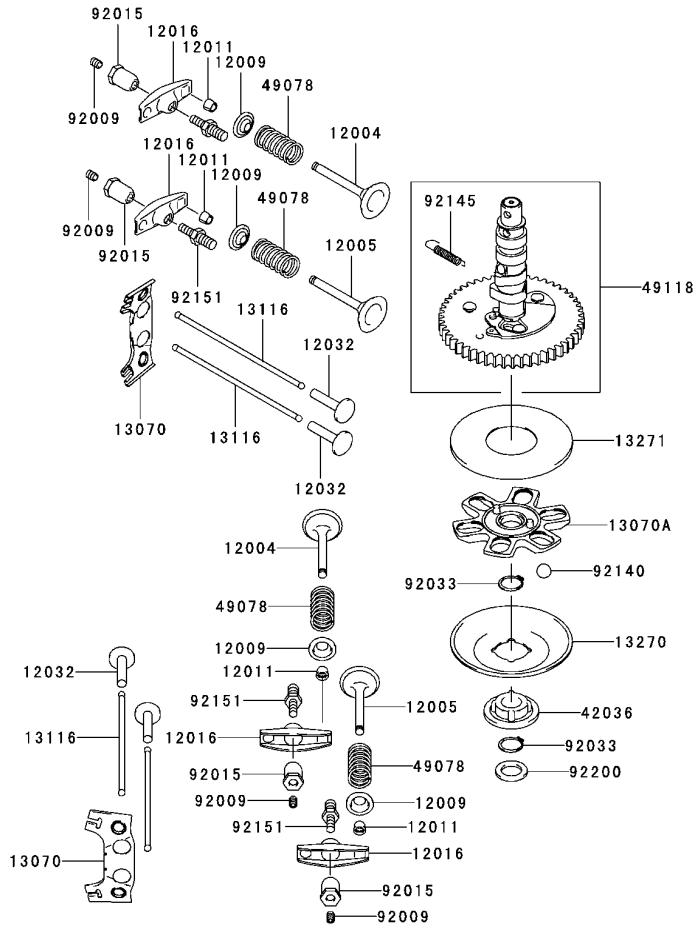
Ref	Part No.	Qty.	Description
⑤11004	11004-7005	2	Gasket-Head
⑤11008	11008-6042	1	Head-Cylinder
⑤11008A	11008-7009	1	Head-Cylinder
⑤11022	11022-7003	2	Case-Rocker
⑤11060	11060-7001	2	Gasket-Case, Rocker
⑤11060A	11060-7008	1	Gasket-Cover, Crankcase
⑤11061	11061-7001	1	Gasket-Breather
⑤13271	13271-7016	1	Plate
⑤14091	14091-7006	1	Cover
⑤49015	49015-6226	1	Cover-Crankcase
⑤49109	49109-7002	1	Element-Breather
⑤49120	49120-6132	1	Crankcase-Comp
⑤59071	59071-2079	1	Joint
⑤92033	92033-7003	2	Ring-Snap
⑤92043	92043-700	6	Pin
⑤92049	92049-7001	4	Seal-Oil, R V C2 (6X11X10.2)
⑤92049A	92049-7002	1	Seal-Oil
⑤92049B	92049-7004	1	Seal-Oil
⑤92049C	92049-7005	1	Seal-Oil, S O (8X14X5 H S)
⑤130	130B0612	4	Bolt-Flanged (6X12)
⑤130A	130B0640	4	Bolt-Flanged (6X40)
⑤130B	130T0850	17	Bolt-Flanged (8X50)
⑤130C	130T0875	2	Bolt-Flanged (8X75)
⑤172	172G0818	4	Bolt-Stud (8X18)



Piston / Crankshaft Assembly Kawasaki FH 531V-AS07

Ref	Part No.	Qty.	Description
①13001	13001-7008	2	Piston-Engine
①13002	13002-7001	2	Pin-Piston
①13008	13008-6055	2	Ring-Set-Piston
①13025	13025-7001	0	Ring-Set-Piston L, 0.5
①13029	13029-7004	0	Piston-Engine L, 0.5
①13031	13031-7001	1	Crankshaft-Comp
①13251	13251-7003	0	Rod-ASM-Connecting
①13251A	13251-7004	2	Rod-ASM-Connecting
①92033	92033-7005	4	Ring-Snap
①130	130G0630	4	Bolt-Flanged (6X30)

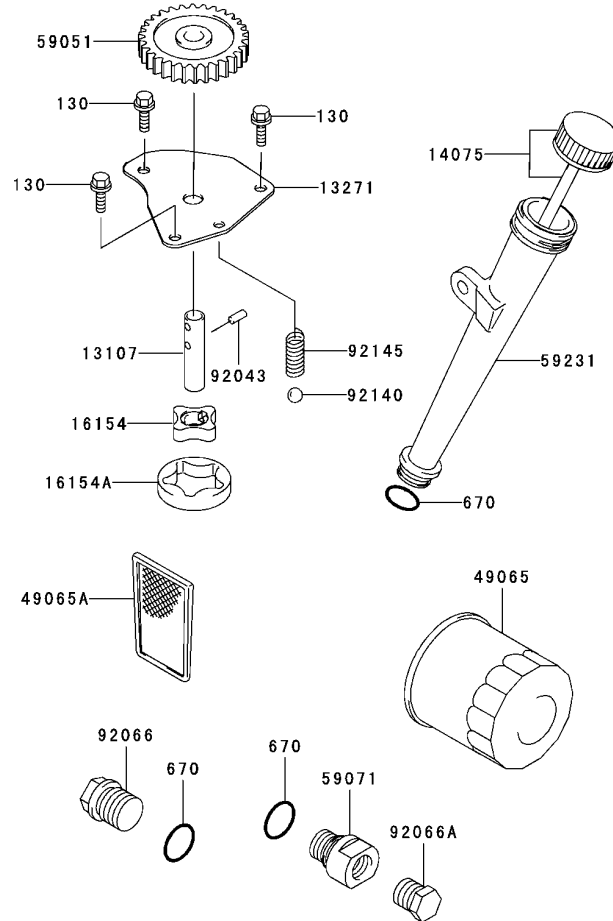
--	--	--	--



Valve / Camshaft Assembly Kawasaki FH 531V-AS07

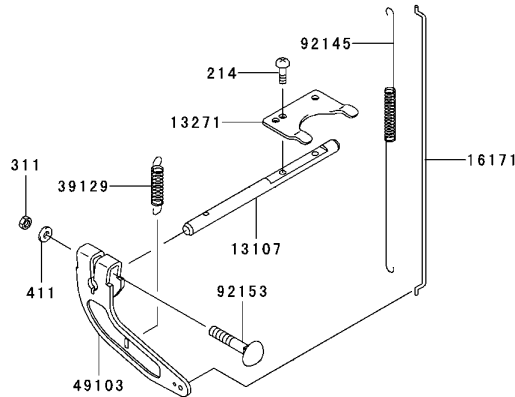
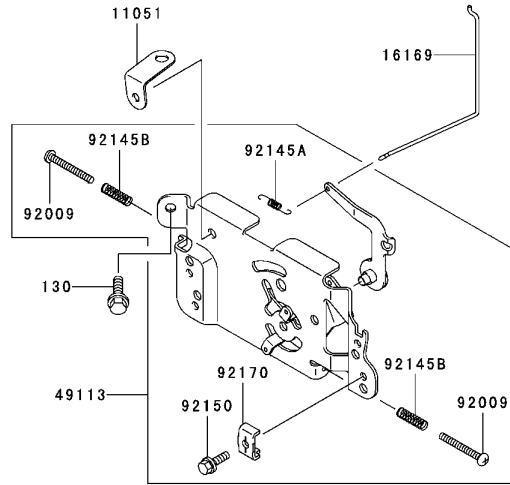
Ref	Part No.	Qty.	Description
③12004	12004-7003	2	Valve-Intake
③12005	12005-7003	2	Valve-Exhaust
③12009	12009-7001	4	Retainer-Spring, Valve
③12011	12011-2056	8	Collet
③12016	12016-7001	4	Arm-Rocker
③12032	12032-7001	4	Tappet
③13070	13070-7001	2	Guide
③13070A	13070-7004	1	Guide
③13116	13116-2057	4	Rod-Push
③13270	13270-7002	1	Plate
③13271	13271-7007	1	Plate
③42036	42036-7001	1	Sleeve
③49078	49078-7001	4	Spring-Valve, Engine
③49118	49118-7004	1	Camshaft
③92009	92009-2341	4	Screw
③92015	92015-2253	4	Nut
③92033	92033-7001	2	Ring-Snap
③92140	92140-7002	6	Ball
③92145	92145-7001	1	Spring
③92151	92151-7019	4	Bolt
③92200	92200-7001	1	Washer

--	--	--	--



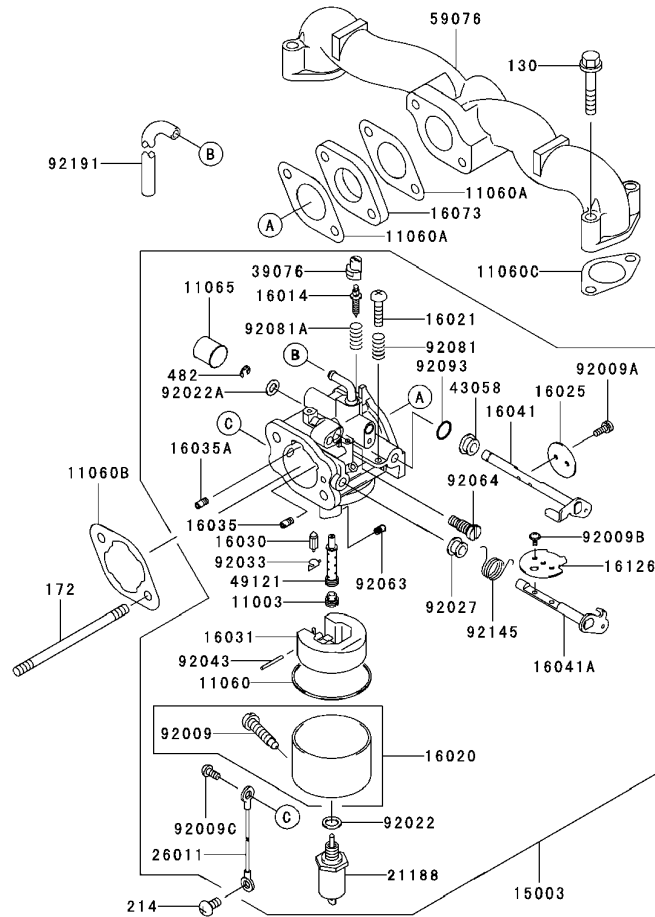
Lubrication Equipment Assembly Kawasaki FH 531V-AS07

Ref	Part No.	Qty.	Description				
③13107	13107-7009	1	Shaft				
③13271	13271-7017	1	Plate				
③14075	14075-7001	1	Cap ASM				
③16154	16154-2053	1	Rotor-Pump (In)				
③16154A	16154-2054	1	Rotor-Pump (Out)				
③49065	49065-2078	1	Filter-Oil				
③49065A	49065-7004	1	Filter-Oil				
③59051	59051-7004	1	Gear-Spur				
③59071	59071-7004	1	Joint				
③59231	59231-7001	1	Filler				
③92043	92043-7003	1	Pin				
③92066	92066-7003	1	Plug				
③92066A	92066-7006	1	Plug				
③92140	92140-7003	1	Ball				
③92145	92145-7002	1	Spring				
③130	130B0612	3	Bolt-Flanged (6X12)				
③670	670D2016	3	O-Ring (16Mm)				



Control Equipment Assembly Kawasaki FH 531V-AS07

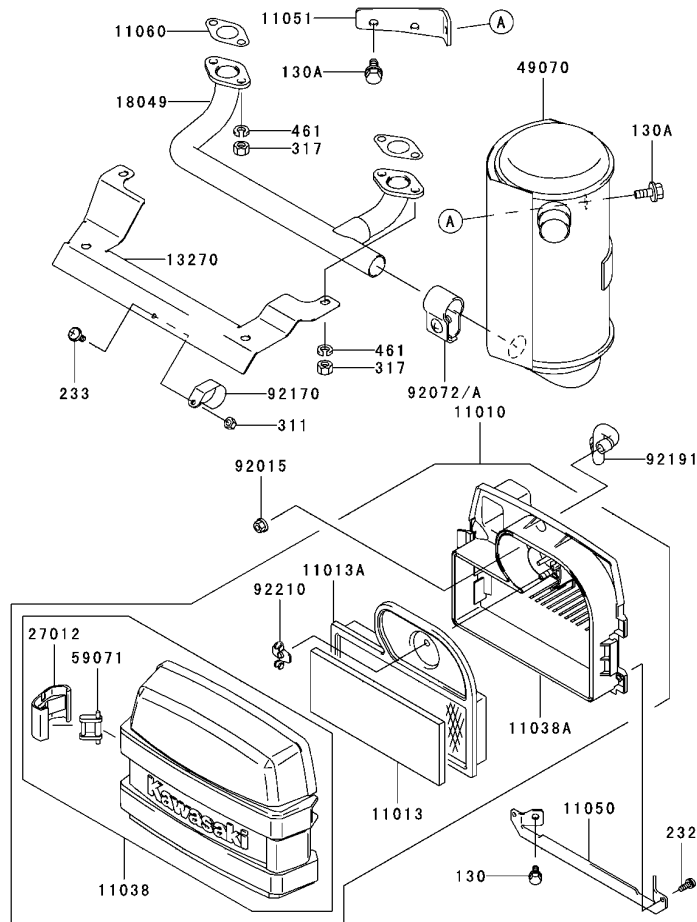
Ref	Part No.	Qty.	Description				
③11051	11051-7008	1	Bracket				
③13107	13107-7010	1	Shaft				
③13271	13271-7018	1	Plate				
③16169	16169-7001	1	Link-Choke				
③16171	16171-7001	1	Link				
③39129	32129-7003	1	Spring-Governor				
③49103	49103-7004	1	Arm-Governor				
③49113	49113-7005	1	Panel-Comp-Control				
③92009	92009-7007	2	Screw (4X35)				
③92145	92145-7003	1	Spring				
③92145A	92145-7004	1	Spring				
③92145B	92145-7005	2	Spring				
③92150	92150-2182	1	Bolt (5X18)				
③92153	92153-7005	1	Bolt (6X35)				
③92170	92170-7001	1	Clamp				
③130	130B0612	2	Bolt-Flanged (6X12)				
③214	214B0408	2	Screw-Pan (4X8)				
③311	311B0600	1	Nut-Hex (6Mm)				
③411	411B0600	1	Washer-Plain (6Mm)				



Carburetor Assembly Kawasaki FH 531V-AS07

Ref	Part No.	Qty.	Description
⑤11003	11003-2105	1	Seat-Valve
⑤11060	11060-2406	1	Gasket, Chamber
⑤11060A	11060-7003	2	Gasket-Insulator
⑤11060B	11060-7004	1	Gasket-Air Filter
⑤11060C	11060-7005	2	Gasket, Manifold
⑤11065	11065-2061	1	Cap
⑤15003	15003	1	Carburetor Assy
⑤16014	16014-2080	1	Screw-Pilot Air
⑤16020	16020-2141	1	Chamber-Float
⑤16021	16021-2060	1	Screw-Throttlestop
⑤16025	16025-2195	1	Valve-Throttle, #130
⑤16030	16030-2067	1	Valve-Float
⑤16031	16031-2066	1	Float
⑤16035	16035-2051	1	Jet-Air #1.4
⑤16035A	16035-2077	1	Jet-Air, #0.8
⑤16041	16041-2253	1	Shaft-Carburetor, Throttle
⑤16041A	16041-7006	1	Shaft-Carburetor
⑤16073	16073-7001	1	Insulator
⑤16126	16126-7008	1	Valve
⑤21188	21188-2011	1	Solenoid
⑤26011	26011-2281	1	Wire-Lead
⑤39076	39076-2053	1	Limiter
⑤43058	43058-3716	1	Ring
⑤49121	49121-2227	1	Nozzle-Main #117A

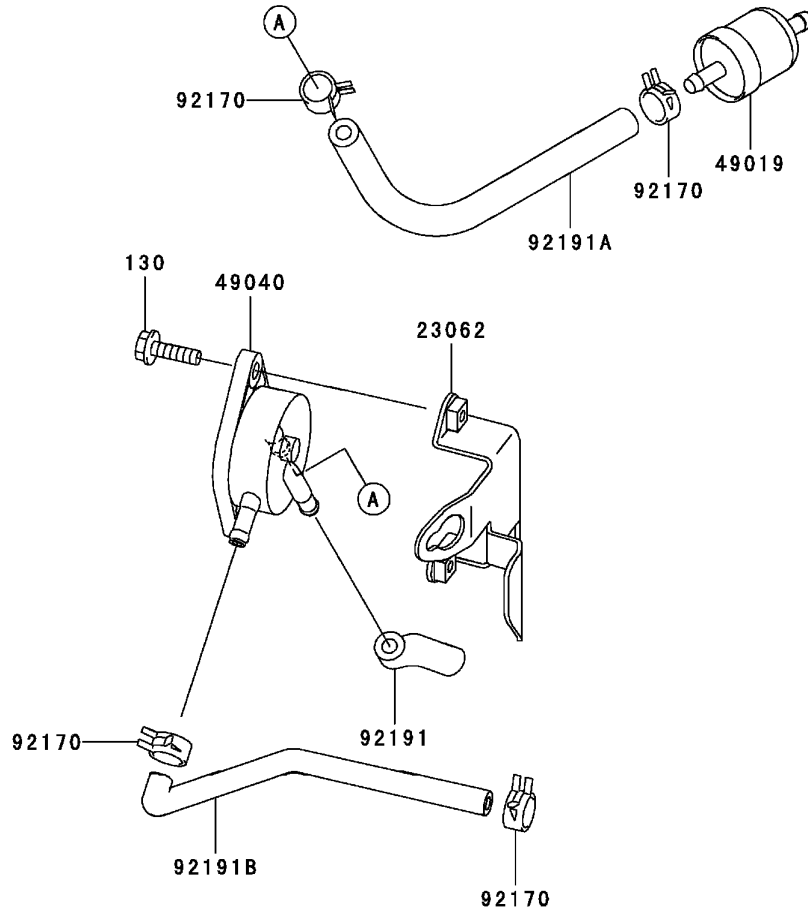
Ref	Part No.	Qty.	Description
⑤59076	59076-7001	1	Manifold-Intake
⑤92009	92009-2015	1	Screw
⑤92009A	92009-2024	2	Screw
⑤92009B	92009-2081	2	Screw
⑤92009C	92009-2400	1	Screw
⑤92022	92022-2231	1	Washer
⑤92022A	92022-2239	1	Washer
⑤92027	92027-2025	1	Collar
⑤92033	92033-2067	1	Ring-Snap
⑤92043	92043-2226	1	Pin
⑤92063	92063-2267	1	Jet-Main #116.3
⑤92064	92064-2103	1	Jet-Pilot #43.8
⑤92081	92081-2009	1	Spring
⑤92081A	92081-2256	1	Spring
⑤92093	92093-2002	1	Seal
⑤92145	92145-2061	1	Spring
⑤92191	92191-7016	1	Tube
⑤130	130B0635	4	Bolt-Flanged (6X35)
⑤172	172G0685	2	Bolt-Stud
⑤214	214B0510	1	Screw-Pan (5X10)
⑤482	482L4000	1	Circlip-Type-E



Air Filter / Muffler Assembly Kawasaki FH 531V-AS07

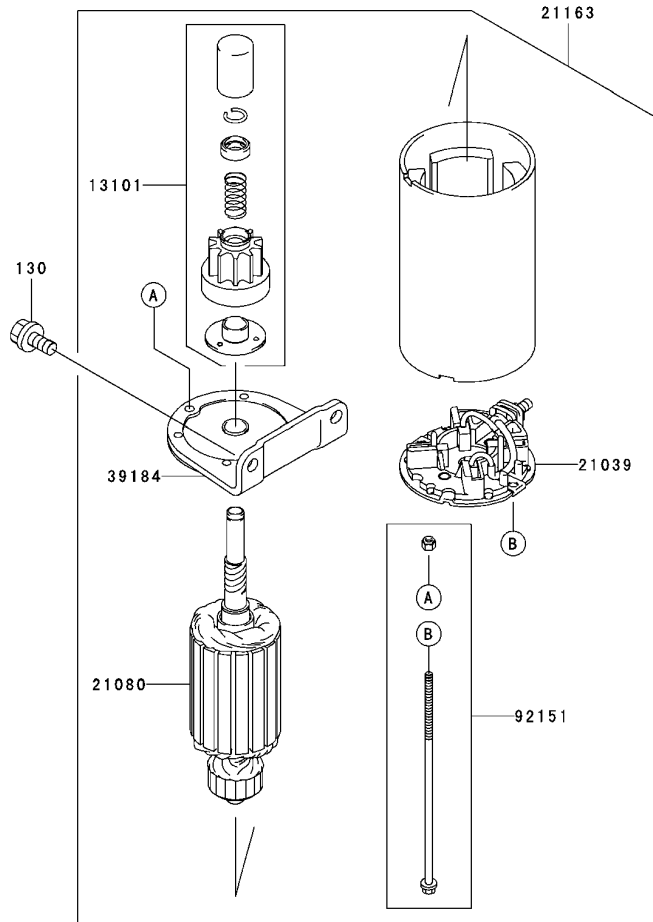
Ref	Part No.	Qty.	Description
③11011	11011-7001	1	Case-Air Filter
③11013	11013-7001	1	Element-Filter, Air
③11013A	11013-7002	1	Element-Filter, Air
③11038	11038-7001	1	Case-ASM-Air Filter
③11038A	11038-7003	1	Case-Assy-Air Filter
③11050	11050-7006	1	Bracket
③11051	11051-7005-9H	1	Bracket
③11060	11060-7021	2	Gasket-Muffler
③13270	13270-7008	1	Plate
③18049	18049-7001	1	Pipe-Exhaust
③27012	27012-7001	2	Hook-Filter, Air
③49070	49070-7002	1	Muffler-Comp
③59071	59071-7001	2	Joint
③92015	92015-1193	2	Nut
③92072	92072-7002	0	Band
③92072A	92072-7007	1	Band
③92170	92170	1	Clamp
③92191	92191-7001	1	Tube
③92210	92210-7004	1	Nut
③130	130B0612	2	Bolt-Flanged (6X12)
③130A	130B0816	2	Bolt-Flanged (8X16)
③232	232B0514	2	Screw-Pan
③233	233B0416	1	Screw (4X16)

Ref	Part No.	Qty.	Description
③311	311B0400	1	Nut-Hex (4Mm)
③317	317R0800	4	Nut-Hex, Small (8Mm)
③461	461F0800	4	Washer-Spring (8Mm)



Fuel Tank / Fuel Valve Assembly Kawasaki FH 531V-AS07

Ref	Part No.	Qty.	Description				
③23062	23062-7004-9H	1	Bracket				
③49019	49019-7001	1	Filter-Fuel				
③49040	49040-7001	1	Pump-Fuel				
③92170	92170-2088	4	Clamp				
③92191	92199-7002	1	Tube				
③92191A	92191-7003	1	Tube (6.35X12.7X160)				
③92191B	92191-7004	1	Tube				
③130	130B0620	2	Bolt-Flanged (6X20)				



Starter Assembly Kawasaki FH 531V-AS07

Ref	Part No.	Qty.	Description
● 13101	13101-7001	1	Gear ASM
● 21039	21039-7001	1	Brush
● 21080	21080-7001	1	Armature
● 21163	21163-7001	1	Starter-Electric
● 39184	39184-7001	1	Bracket ASM
● 92151	92151-7013	1	Bolt
● 130	130B0816	2	Bolt-Flanged (8X16)

--	--	--	--

NOTES

NOTES

