



Commercial Walk-Behind Mower Floating Deck T-Bar Hydro with 52in TURBO FORCE[®] Cutting Unit

Model No. 30499 - 280001001 and up.

Parts Catalog

Ordering Replacement Parts

To order replacement parts, please supply the part number, the quantity, and the description of each part desired.

Understanding Reference Numbers

Each Identified part in an illustration has a reference number. The reference number for a part also appears in the parts list, along with other information about the part.

This catalog uses two special reference number formats, one to indicate parts in a service assembly and another to indicate the quantity of a given part in an illustration.

Service Assembly Reference Numbers

Parts in service assemblies have reference numbers in the form a:b. The a represents the reference number of the entire service assembly and the b represents a sequential number unique to each part within the service assembly.

For example, a wheel assembly might be identified by reference number 6, the tire by 6:1, the valve by 6:2, and the wheel by 6:3. When you order the assembly identified by reference number 6, you receive all parts identified by reference numbers 6:1, 6:2, and 6:3. However, you may also order any part individually. Reference numbers of this type appear in illustrations and in part lists.

Reference Numbers Indicating Quantity

In an illustration, if a reference number indicates more than one part, the reference number has the form nX y. The n represents the quantity of the part, the X is the multiplication symbol, and the y represents the reference number.

For example, in an illustration, the reference number 2X 37 means that two of the parts identified by reference number 37 are indicated.

Contents

Description	Page	Description	Page
Engine and Clutch Assembly 3	Cylinder and Crankcase Assembly Kawasaki FH580V-DS28 24
Fuel System, Hydraulic Pump and Filter Assembly 4	Piston and Crankshaft Assembly Kawasaki FH580V-DS28 25
Hydraulic Pump Assembly No. 115-4480 5	Valve and Camshaft Assembly Kawasaki FH580V-DS28 26
Hydraulic Pump Assembly No. 115-4481 6	Lubrication Equipment Assembly Kawasaki FH580V-DS28 27
Pump Drive and Wheel Assembly 7	Cooling Equipment Assembly Kawasaki FH580V-DS28 28
Hydraulic Wheel Motor Assembly No. 104-1171 8	Electric Equipment Assembly Kawasaki FH580V-DS28 29
Lower Control Assembly 9	Control Equipment Assembly Kawasaki FH580V-DS28 30
Hydraulic Hose Assembly 10	Carburetor Assembly Kawasaki FH580V-DS28 31
Upper Control Assembly 11	Air Filter and Muffler Assembly Kawasaki FH580V-DS28 32
Control Panel Assembly 12	Fuel Tank and Valve Assembly Kawasaki FH580V-DS28 33
Battery Assembly 13	Starter Assembly Kawasaki FH580V-DS28 34
Parking Brake Assembly 14	Label Assembly Kawasaki FH580V-DS28 35
Power-Take-Off Idler and Weight Assembly 15	Attachments and Accessories List 36
Carrier Frame Assembly 16		
Deck Drive and Baffle Assembly 17		
Deck Assembly No. 112-7083 18		
Spindle Assembly No. 110-0728 19		
Spindle Assembly No. 110-0730 20		
Lever Assembly No. 107-1664 21		
Deck Assembly 22		
Deflector Assembly No. 110-0758 23		

Part Description Abbreviations

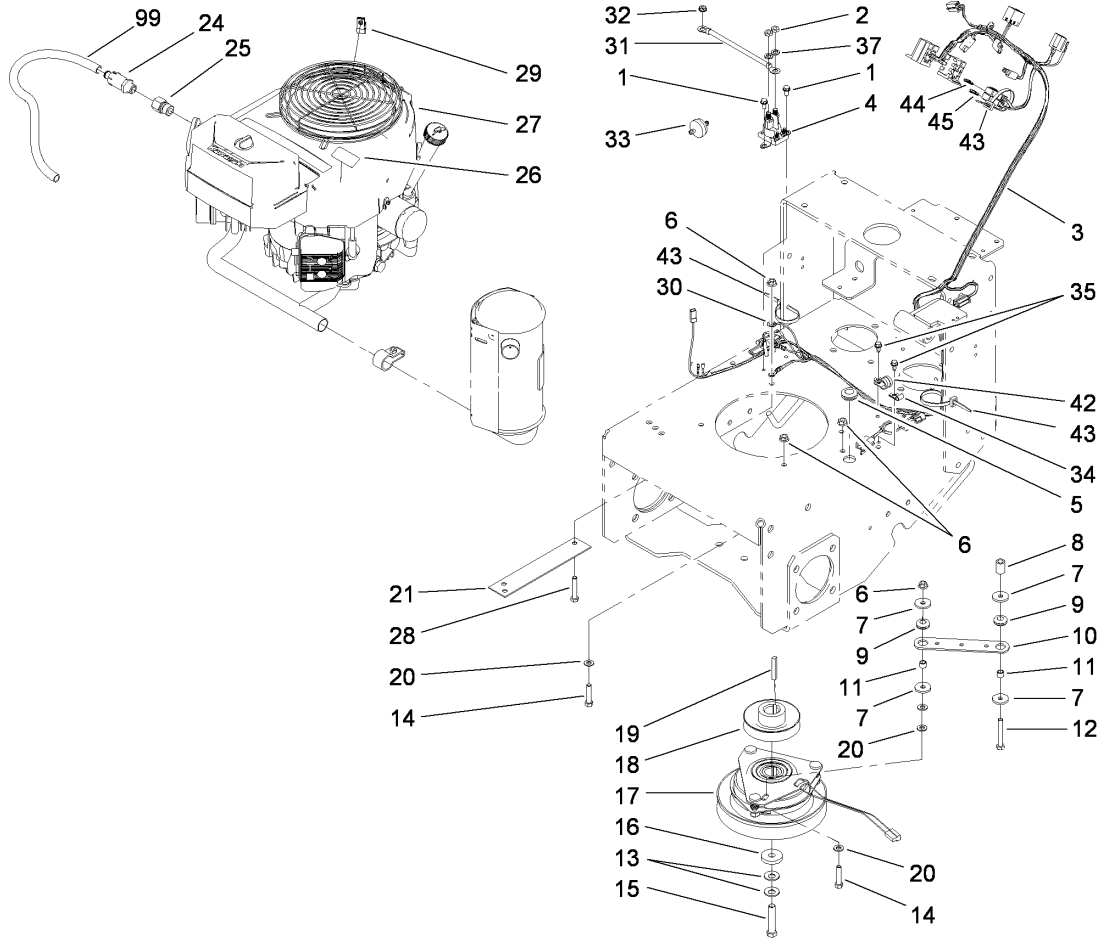
Part descriptions in this catalog may include the following abbreviations.

AR. as required	HYD. hydraulic
ASM. assembly	LH. left hand
BBC. blade brake clutch	NI. nylon insert
CARR. carriage	NPTF. national pipe thread fine
DEG. degrees	PFH. phillips flat head
EXT. external	PPH. phillips pan head
FH. flat head	PPHTF. phillips pan head thread forming
GA. gauge	PRH. phillips round head
HD. heavy-duty	PTH. phillips truss head
HF. hex flange	PTO. power-take-off
HH. hex head	RH. right hand
HHF. hex head flange	ROPS. roll-over protection system
HHFTF. hex head flange thread forming	SFH. slotted fillister head
HJ. hex jam	SHH. slotted hex head
HLH. hex lag head	SHWH. slotted hex washer head
HOC. height-of-cut	SPH. slotted pan head
HSBH. hex socket button head	SQH. square head
HSFH. hex socket flat head	SRH. slotted round head
HSH. hex socket head	STD. standard
HWH. hex washer head	TAP. self tapping
HWHTF. hex washer head thread forming	TTH. torx truss head

Footnotes

- ❶ Not illustrated
- ❷ Obtain from your local Kawasaki dealer

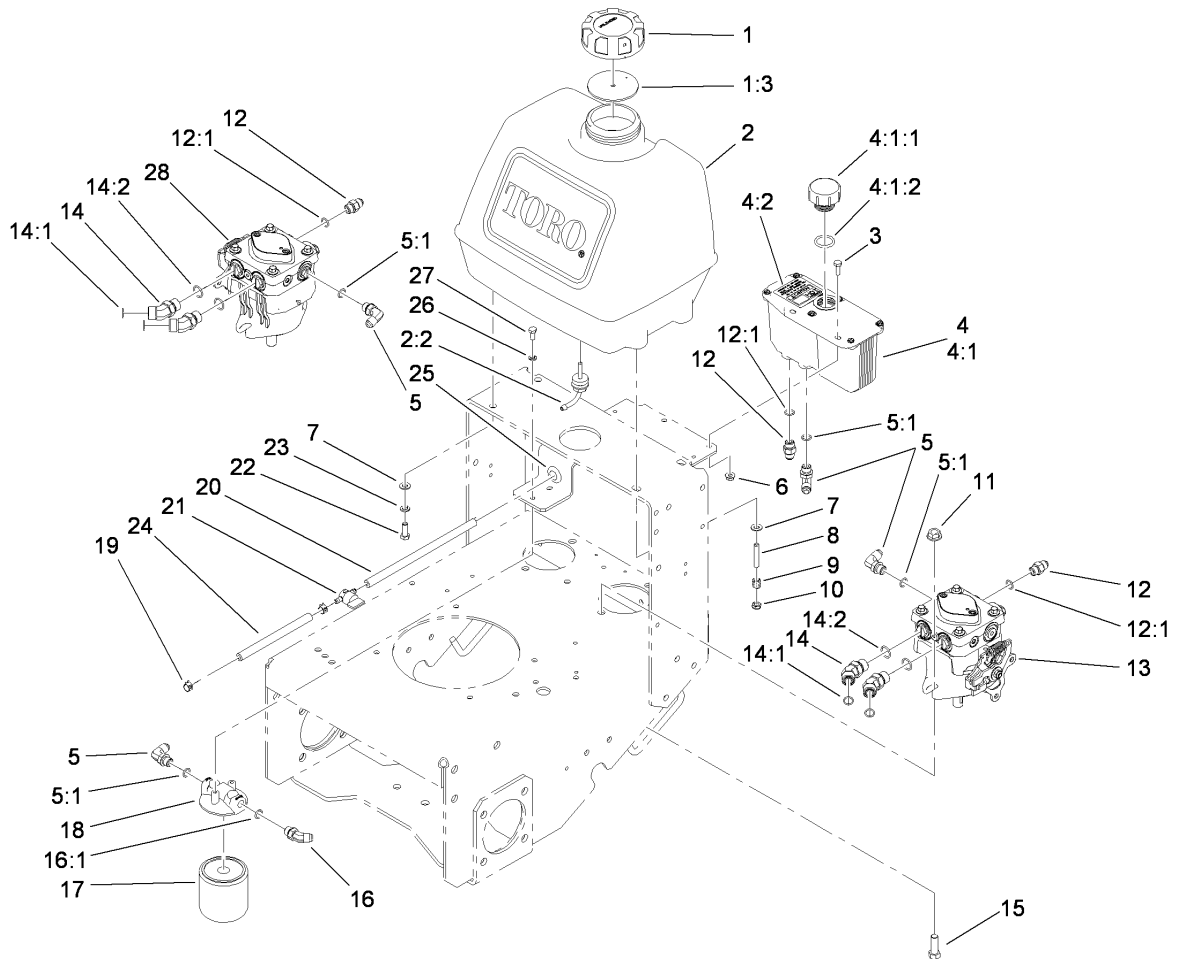
- ❸ Not serviced separately



Engine and Clutch Assembly

Ref	Part No.	Qty.	Description
1	32144-4	2	Screw-HWH
2	3220-2	2	Nut-Jam
3	114-3418	1	Harness-Wire
4	1-513075	1	Switch-Solenoid
5	112-7069	1	Grommet
6	32128-20	6	Nut-HF
7	1-613235	4	Washer
8	104-6373	1	Tube-Retainer
9	1-633630	2	Grommet-Brake
10	1-633543-03	1	Strap-Clutch, Brake
11	1-633545	2	Spacer
12	322-11	1	Screw-HH
13	1-603610	2	Washer-Spring
14	322-7	4	Screw-HH
15	3212-9	1	Screw-HH
16	107-4136	1	Washer
17	105-2635	1	Clutch / Brake
18	44-5940	1	Pulley
19	608006	1	Key-Square
20	3256-23	5	Washer-Flat
21	94-5847-01	1	Cover-Pulley
24	92-6877	1	Valve-Drain, Oil
25	103-1966	1	Adapter
26	106-0699	1	Decal-Warning

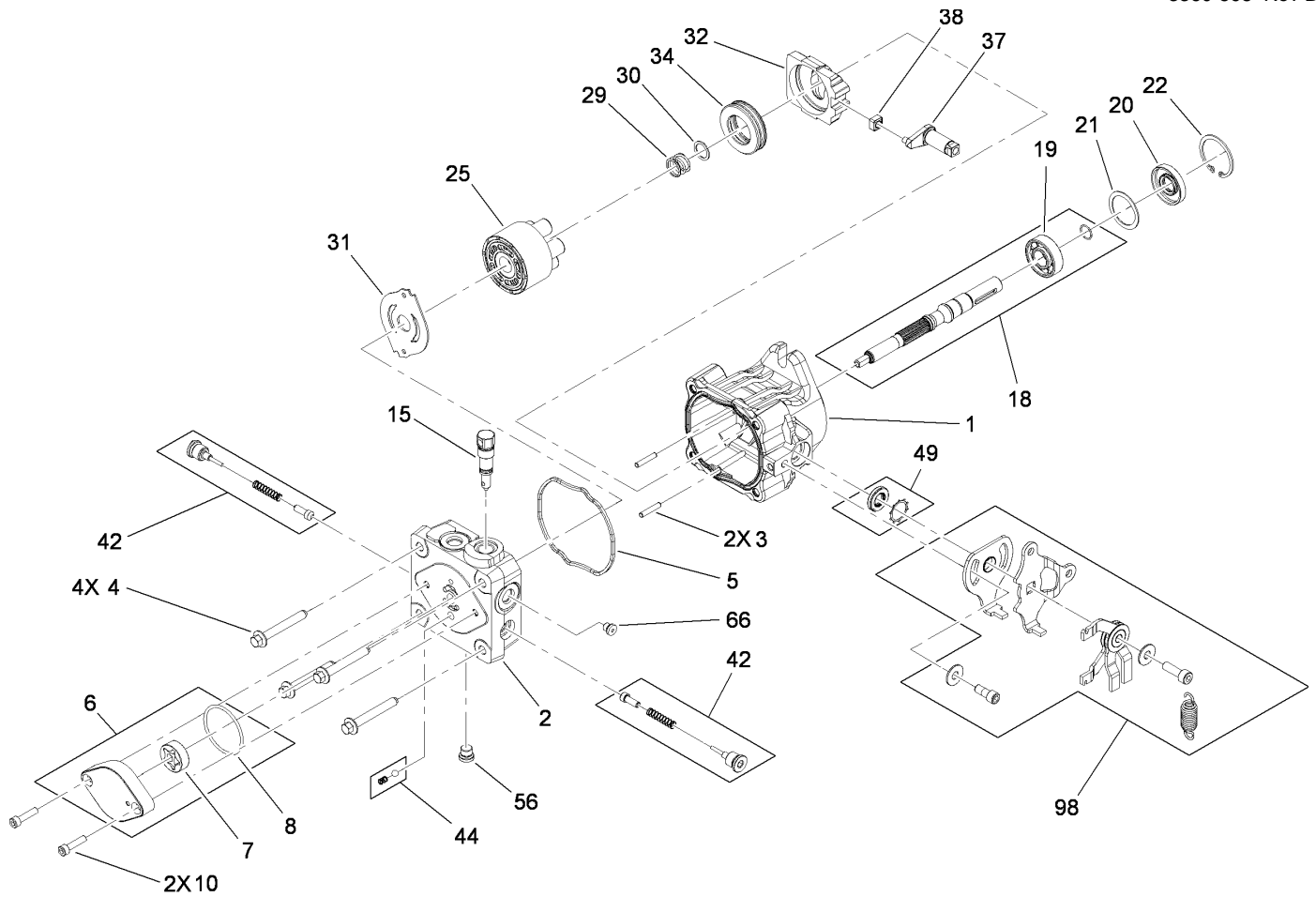
Ref	Part No.	Qty.	Description
27		1	Engine-Kawasaki, FH580V-Ds28
28	322-9	1	Screw-HH
29	2412-87	1	Clamp-Cable
30	3255-8	1	Washer-Lock
31	112-9707	1	Cable-Battery, Pos
32	32149-2	1	Nut-Keps
33	56-6360	1	Filter-Fuel
34	2412-72	1	Clip-Closed, Insulated
35	12-3270	2	Screw
37	3253-4	2	Washer-Lock
42	2412-134	1	R-Clamp
43	3290-378	3	Tie-Cable
44	109102	1	Fuse-25 Amp
45	109103	1	Fuse-30 Amp
99	103-1964	1	Hose-Drain, Oil



Fuel System, Hydraulic Pump and Filter Assembly

Ref	Part No.	Qty.	Description
1	88-3980	1	Gas Cap ASM
1:3	88-4010	1	Gasket-Cap, Gas
2	106-0730	1	Fuel Tank ASM
2:2	103-2605	1	Fitting-Fuel, Bulkhead
3	321-4	2	Screw-HH
4	103-1947	1	HYD Reservoir ASM
4:1		1	Reservoir-HYD
4:1:1	103-1948	1	Cap-Reservoir, HYD
4:1:2	103-1949	1	Gasket-Cap
4:2	1-523552	1	Decal-Tank, HYD
5	353-374	4	Elbow-90 DEG
5:1	237-42	1	O-Ring
6	32128-33	2	Nut-HF
7	3256-23	4	Washer-Flat
8	104-8121	2	Stud-Threaded
9	1-633349	2	Spring-Tank, Fuel
10	3296-47	2	Nut-Lock, NI
11	32128-42	4	Nut-HF
12	353-384	3	Fitting-Straight
12:1	237-42	1	O-Ring
13	115-4480	1	Pump-Hydraulic
14	340-101	4	Fitting-HYD, 45 DEG
14:1	237-30	1	O-Ring
14:2	237-79	1	O-Ring

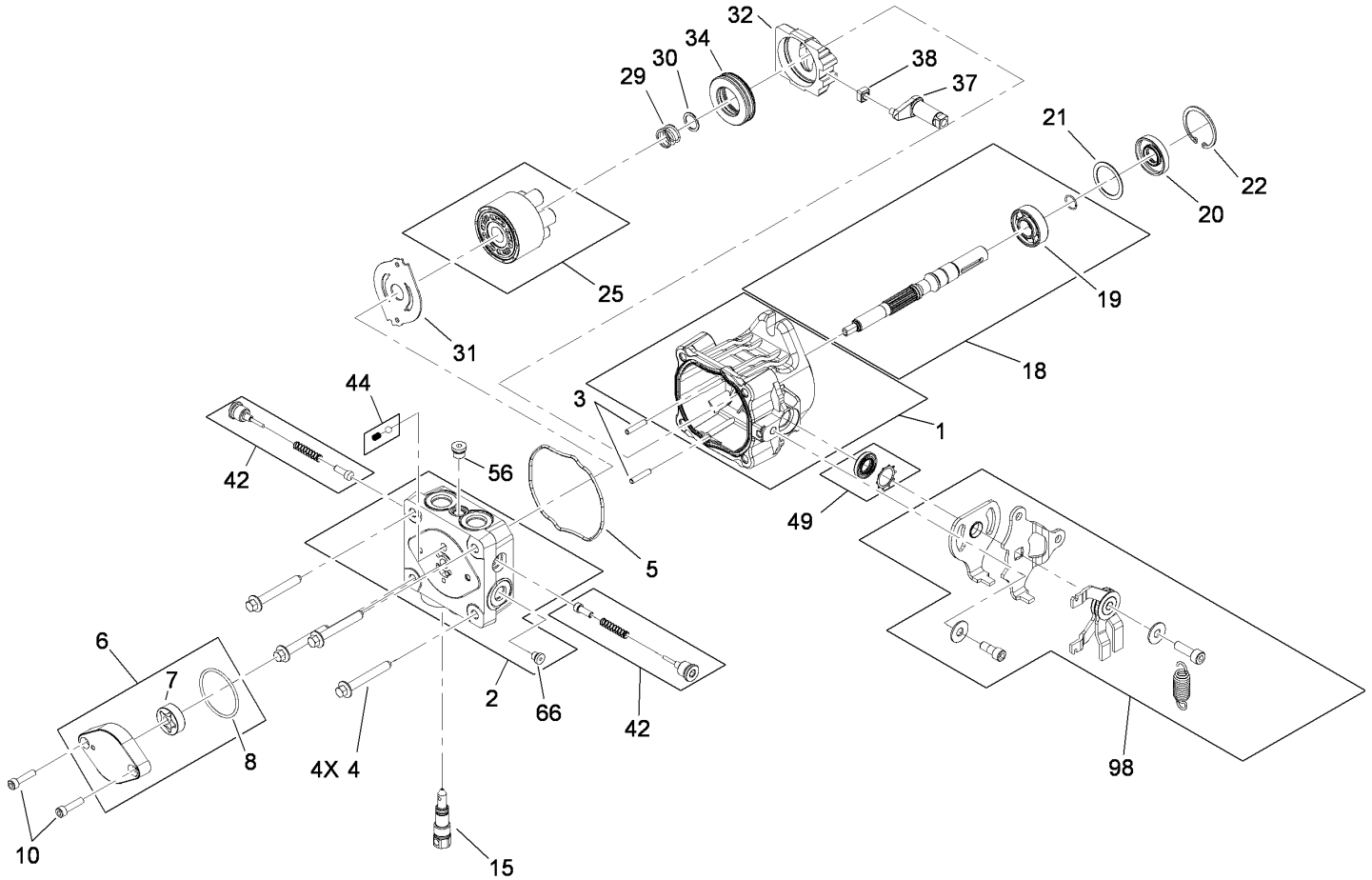
Ref	Part No.	Qty.	Description
15	324-5	4	Screw-HH
16	353-212	1	Fitting-HYD, 45 DEG
16:1	237-42	1	O-Ring
17	1-633750	1	Filter-Oil, HYD
17	1-633752	1	Filter-HYD, Winter
18	104-7836	1	Head-Filter
19	2412-98	4	Clamp
20	110-4894	1	Hose-Fuel
21	1-603770	1	Valve-Fuel
22	322-4	2	Screw-HH
23	3253-4	2	Washer-Lock
24	107-0588	1	Hose-Fuel
25	112-7069	1	Grommet
26	3253-3	2	Washer-Lock
27	321-3	2	Screw-HH
28	115-4481	1	Pump-Hydraulic



Hydraulic Pump Assembly No. 115-4480

Ref	Part No.	Qty.	Description
1	115-4464	1	Housing-Kit
2	106-8752	1	End Cap Kit (W/Poppets)
3	106-8753	2	Pin-Headless, Straight
4	106-8754	4	Bolt-HF
5	106-8755	1	O-Ring
6	106-8756	1	Charge Pump Kit
7	104-2122	1	Gerotor ASM
8	106-8757	1	O-Ring
10	104-2111	2	Capscrew
15	106-8759	1	Bypass Valve Kit
18	103-2664	1	Input Shaft Kit
19	104-5311	1	Bearing-Ball
20	104-5310	1	Seal-Lip
21	104-5308	1	Spacer
22	104-5309	1	Ring-Retaining
25	103-2666	1	Cylinder Block Kit
29	94-1936	1	Spring-Block
30	94-1937	1	Washer-Thrust, Block
31	105-6185	1	Plate-Valve
32	94-1907	1	Swashplate-Variable
34	94-6922	1	Bearing-Thrust
37	115-4458	1	Arm-Trunnion, Tapered Square
38	94-1910	1	Guide-Slot
42	98-3252	2	Valve-Check (W/Poppet)

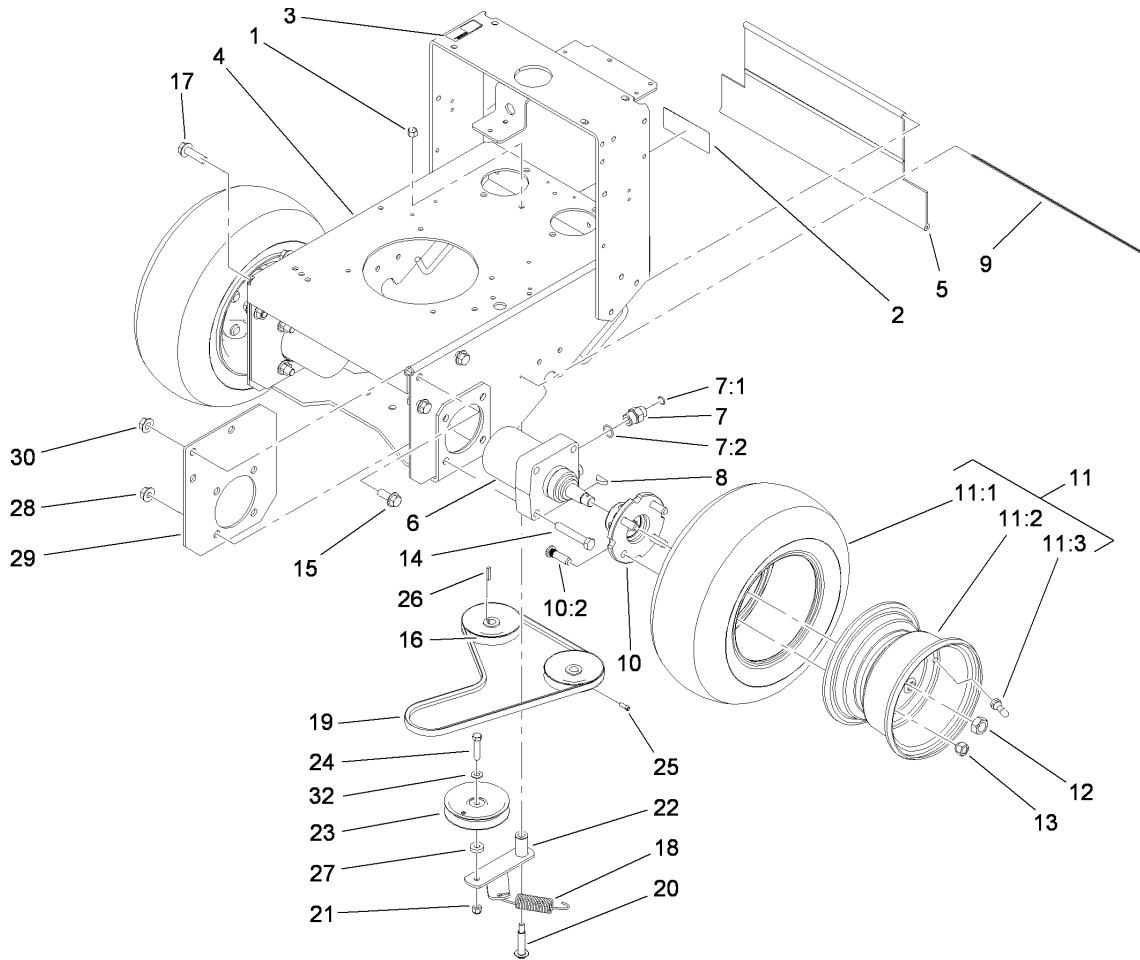
Ref	Part No.	Qty.	Description
44	106-8760	1	Charge Relief Valve Kit
49	114-8155	1	Trunnion Seal Kit
56	106-8762	1	Plug-HSH
66	106-8763	1	Plug-HSH
98	115-4459	1	Kit-Return
99	105-6184	1	Seal Overhaul Kit



Hydraulic Pump Assembly No. 115-4481

Ref	Part No.	Qty.	Description
1	115-4464	1	Housing-Kit
2	106-8752	1	End Cap Kit (W/Poppets)
3	106-8753	2	Pin-Headless, Straight
4	106-8754	4	Bolt-HF
5	106-8755	1	O-Ring
6	106-8756	1	Charge Pump Kit
7	104-2122	1	Gerotor ASM
8	106-8757	1	O-Ring
10	104-2111	2	Capscrew
15	106-8759	1	Bypass Valve Kit
18	103-2664	1	Input Shaft Kit
19	104-5311	1	Bearing-Ball
20	104-5310	1	Seal-Lip
21	104-5308	1	Spacer
22	104-5309	1	Ring-Retaining
25	103-2666	1	Cylinder Block Kit
29	94-1936	1	Spring-Block
30	94-1937	1	Washer-Thrust, Block
31	105-6185	1	Plate-Valve
32	94-1907	1	Swashplate-Variable
34	94-6922	1	Bearing-Thrust
37	115-4458	1	Arm-Trunnion, Tapered Square
38	94-1910	1	Guide-Slot
42	98-3252	2	Valve-Check (W/Poppet)

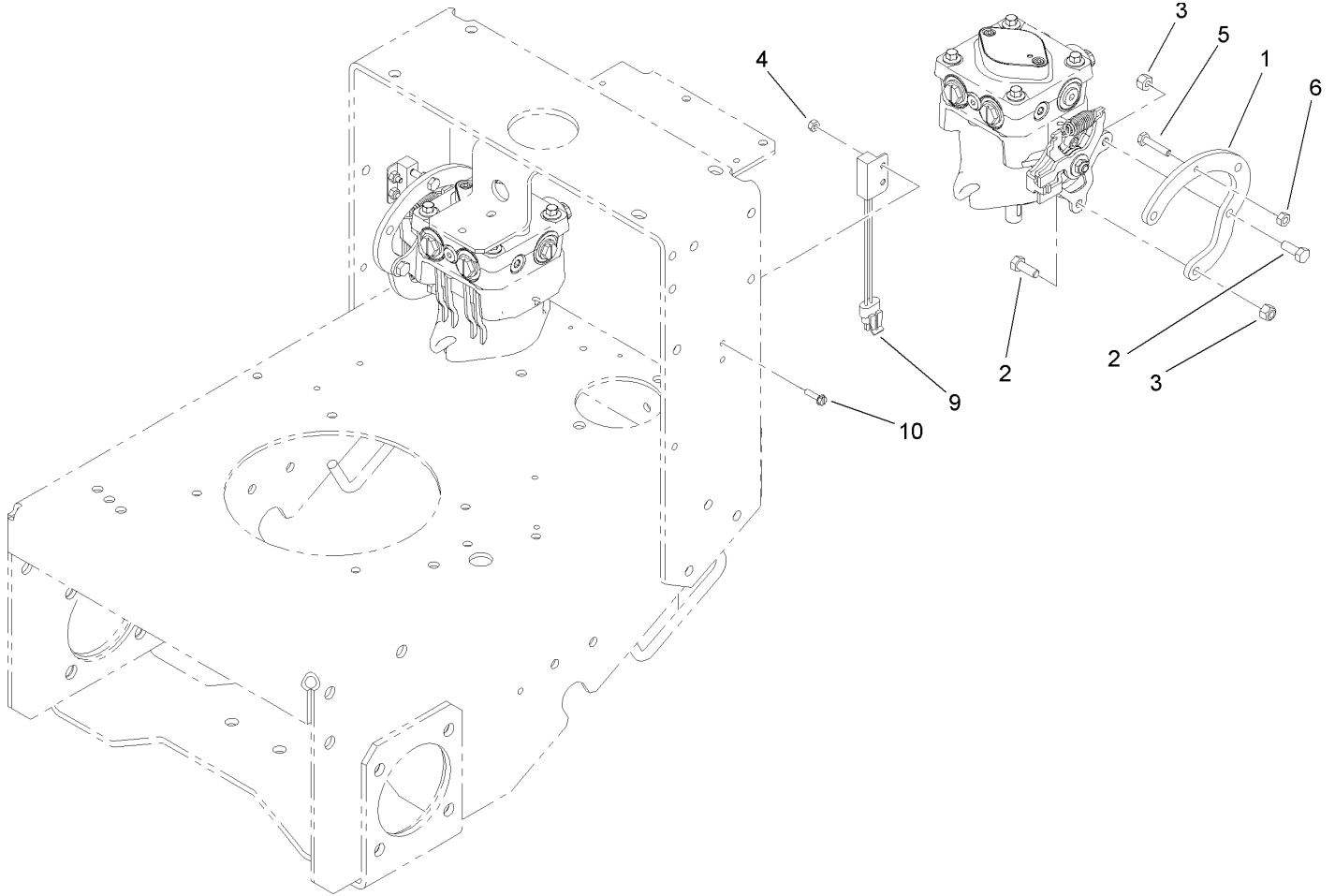
Ref	Part No.	Qty.	Description
44	106-8760	1	Charge Relief Valve Kit
49	114-8155	1	Trunnion Seal Kit
56	106-8762	1	Plug-HSH
66	106-8763	1	Plug-HSH
98	115-4459	1	Kit-Return
99	105-6184	1	Seal Overhaul Kit



Pump Drive and Wheel Assembly

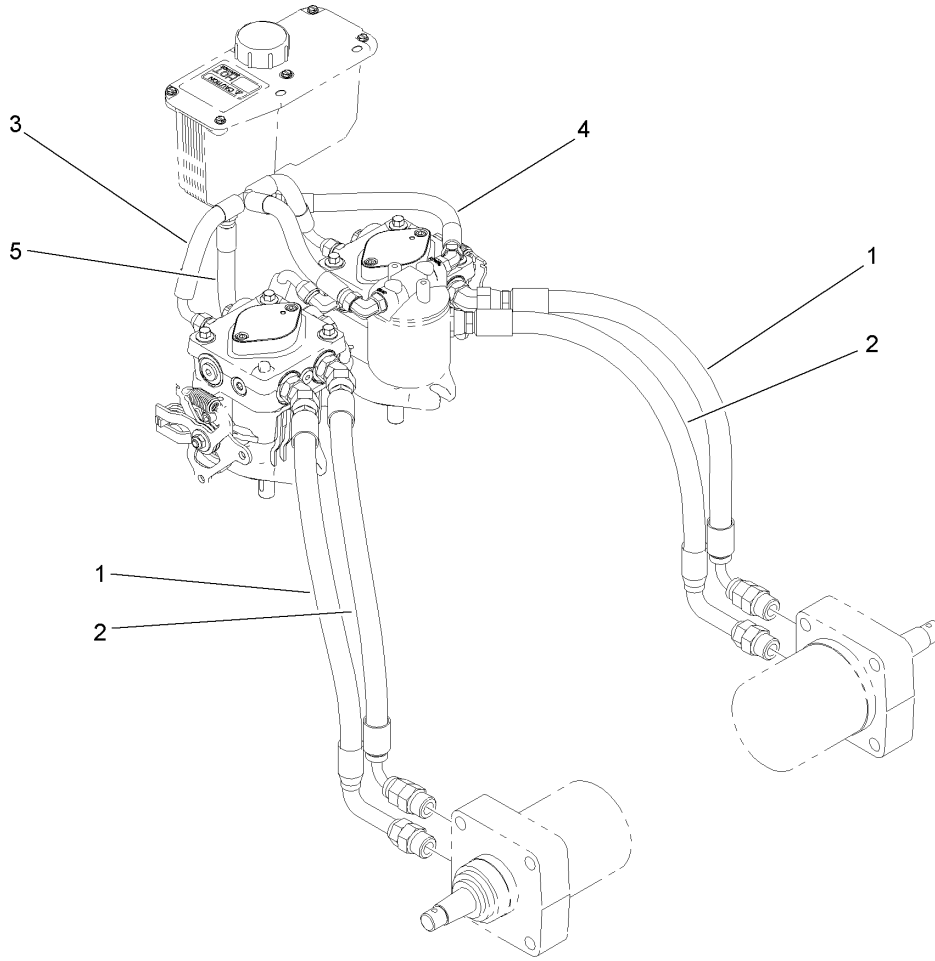
Ref	Part No.	Qty.	Description
1	3296-6	1	Nut-Lock
2	98-0776	1	Decal-Caution
3	95-2814	1	Decal-Shut Off, Fuel
4	114-0222-01	1	Frame ASM
5	95-1526	1	Shield-Trailing
6	104-1171	2	Motor-Wheel
7	340-6	4	Fitting-HYD, Straight
7:1	237-30	1	O-Ring
7:2	237-80	1	O-Ring
8	3257-8	2	Key-Woodruff
9	95-1529	1	Rod-Shield
10	105-0800	2	Wheel Hub / Stud ASM
10:2	10-6830	4	Stud-Type, Drive
11	104-1198	2	Wheel And Tire ASM
11:1	104-6320	1	Tire
11:2	104-1199	1	Wheel
11:3	232-27	1	Stem-Valve
12	85-7310	2	Nut-Motor, Wheel
13	242-50	8	Nut-Lug
14	325-12	8	Screw-HH
15	3234-32	4	Screw-HHF
16	105-5648	2	Pulley-Pump
17	3234-22	2	Screw-HHF
18	68-9950	1	Spring-Traction

Ref	Part No.	Qty.	Description
19	110-5049	1	Belt-V
20	27-6230	1	Bolt-Wheel
21	3296-39	1	Nut-Lock, NI
22	86-4770	1	Idler Lever ASM
23	93-1622	1	Pulley-Idler
24	323-9	1	Screw-HH
25	3241-5	4	Screw-Set
26	1-807272	2	Key
27	9202204	1	Washer
28	32128-49	8	Nut-HHF
29	108-6657-01	2	Plate-Frame
30	32128-23	6	Nut-HF
32	3256-24	1	Washer-Flat



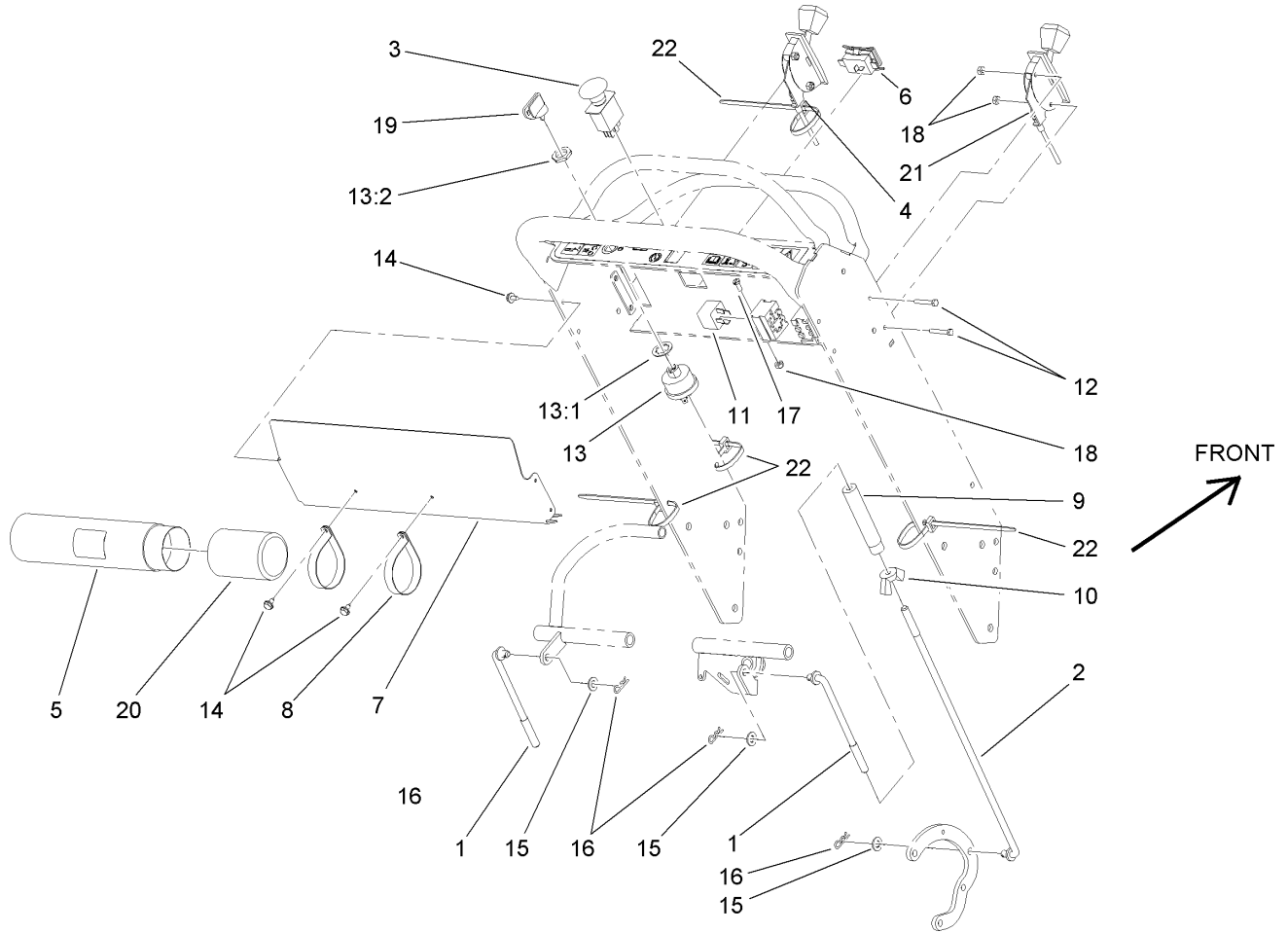
Lower Control Assembly

Ref	Part No.	Qty.	Description
1	114-0227	2	Bracket-Adapter, Pump
2	322-4	4	Screw-HH
3	3296-29	4	Nut-Lock, NI
4	3296-2	4	Nut-Lock
5	114-0282	2	Screw-HH
6	3217-5	2	Nut-Hex
9	105-0023	2	Switch-Proximity
10	32105-13	4	Screw-HWH



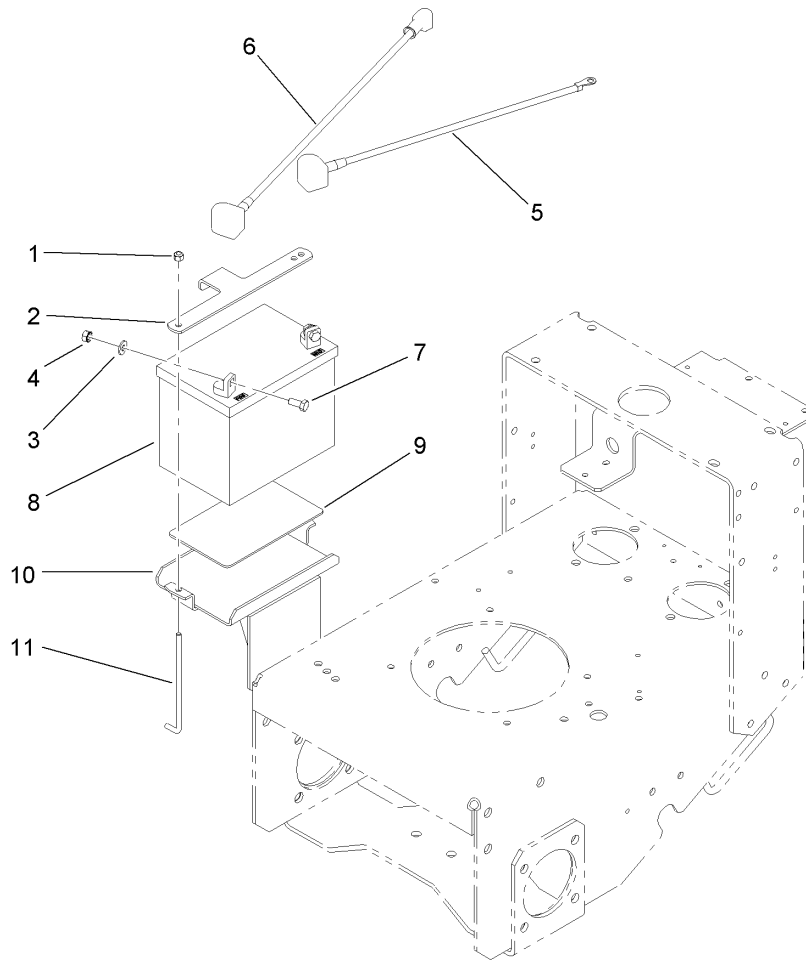
Hydraulic Hose Assembly

Ref	Part No.	Qty.	Description				
1	112-9704	2	HYD Hose ASM				
2	114-3430	2	HYD Hose ASM				
3	105-5697	1	HYD Hose ASM				
4	105-5699	1	HYD Hose ASM				
5	114-3434	1	HYD Hose ASM				



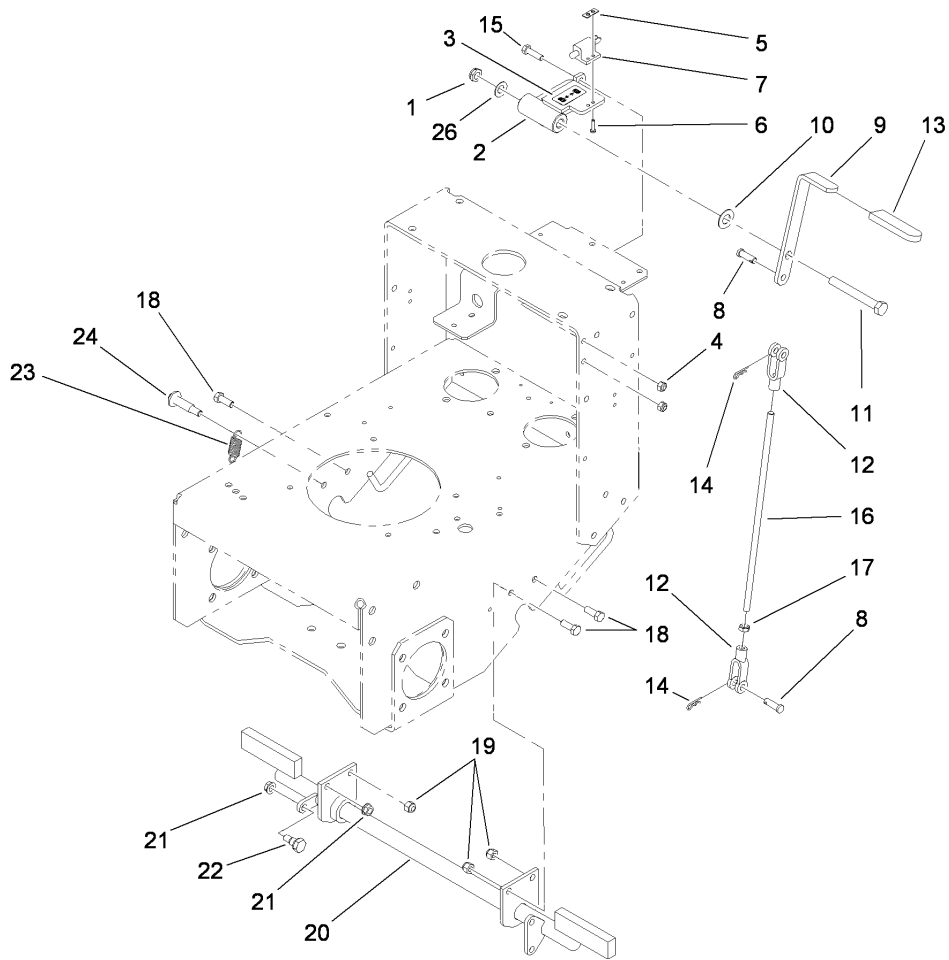
Control Panel Assembly

Ref	Part No.	Qty.	Description
1	114-0275	2	Rod-Control, Upper
2	114-0276	2	Rod-Control, Lower
3	114-0279	1	Switch-PTO
4	110-4994	1	Cable-Throttle
5	104-7050	1	Housing-Manual
6	104-8143	1	Hourmeter
7	114-0270-03	1	Cover-Panel, Control
8	2412-120	2	R-Clamp
9	95-1504	2	Turnbuckle
10	32103-3	2	Nut-Wing
11	98-7249	2	Relay
12	3290-360	4	Screw-HH
13	88-9830	1	Key Switch ASM
13:1	3254-5	1	Washer-Tooth
13:2	218-461	1	Nut-HH
14	32104-76	6	Screw
15	3256-23	4	Washer-Flat
16	3290-307	4	Pin-Hair
17	32105-8	2	Screw-SHH
18	3296-2	6	Nut-Lock
19	63-8360	1	Key-Ignition
20	104-7048	1	Cap-Housing
21	110-4995	1	Cable-Choke
22	3290-378	4	Tie-Cable



Battery Assembly

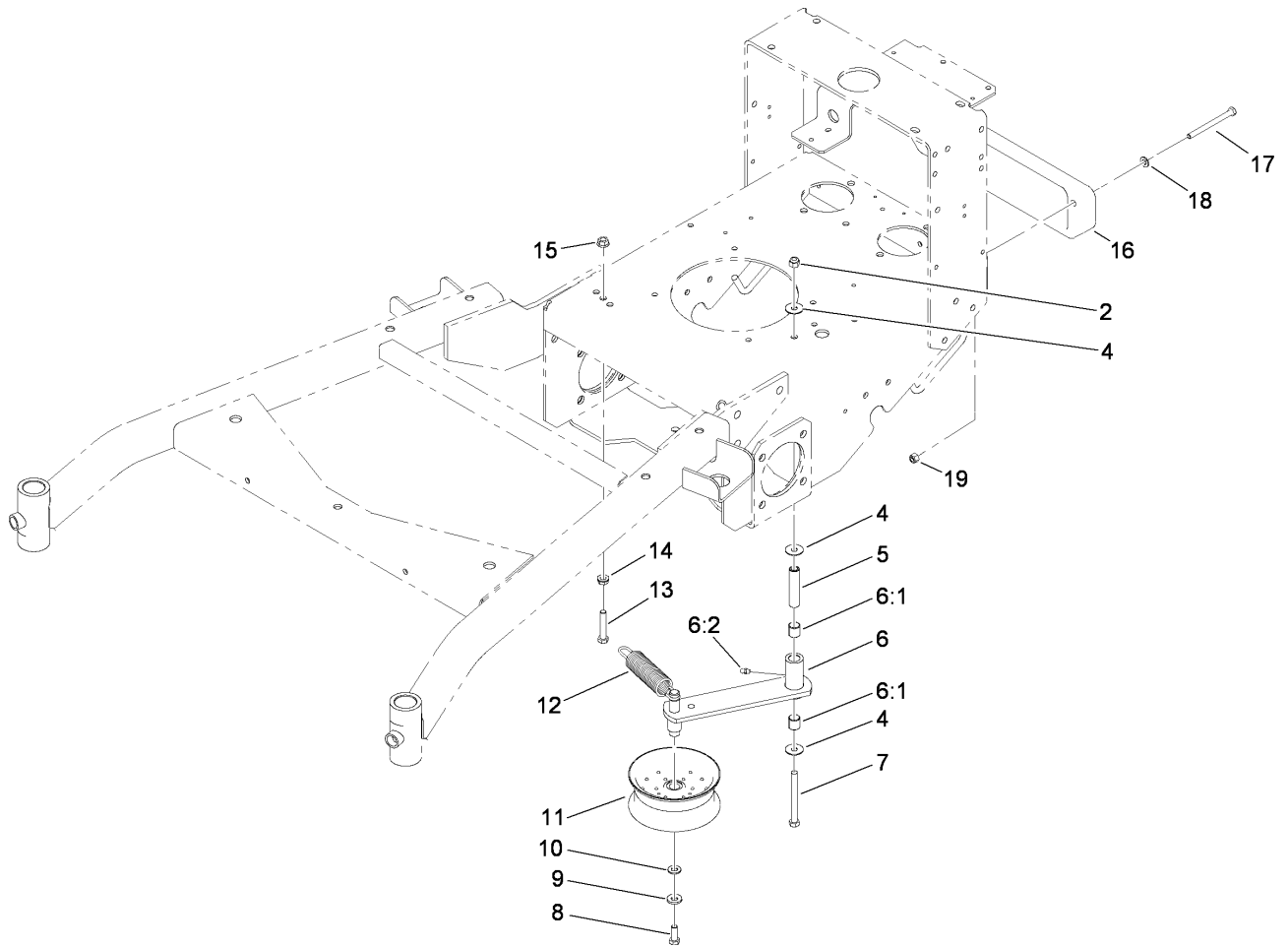
Ref	Part No.	Qty.	Description
1	3296-42	2	Nut-Lock, NI
2	104-8568-03	1	Plate-Hold Down, Battery
3	3256-2	2	Washer-Flat
4	32149-1	2	Nut-Keps
5	112-9709	1	Cable-Battery, Black
6	112-9708	1	Cable-Battery, Red
7	322-3	2	Screw-HH
8	104-8162	1	Battery
9	62-4300	1	Pad-Skid, Anti
10	105-3150-01	1	Battery Tray ASM
11	104-8567	2	Holddown-Battery



Parking Brake Assembly

Ref	Part No.	Qty.	Description
1	3296-45	1	Nut-Lock, NI
2	112-8716-01	1	Support-Handle
3	112-8720	1	Decal-Brake
4	3296-29	2	Nut-Lock, NI
5	1-633181	1	Plate-Tapped
6	32105-13	2	Screw-HWH
7	1-513152	1	Switch-Closed, Normally
8	1-808285	2	Pin-Clevis
9	106-0671-01	1	Handle-Brake
10	257-7	1	Bearing-Thrust
11	325-17	1	Screw-HH
12	1-633131	2	Yoke-Linkage, Brake
13	1-303020	1	Grip-Lever
14	3290-307	2	Pin-Hair
15	322-6	2	Screw-HH
16	108-2747	1	Rod-Brake
17	3220-3	1	Nut-HJ
18	323-6	3	Screw-HH
19	3296-39	3	Nut-Lock, NI
20	110-4976-01	1	Parking Brake ASM
21	3290-357	2	Nut-HHF, Whiz
22	27-5240	1	Bolt-Shoulder
23	613386	1	Spring-Brake
24	56-6590	1	Bolt-Wheel

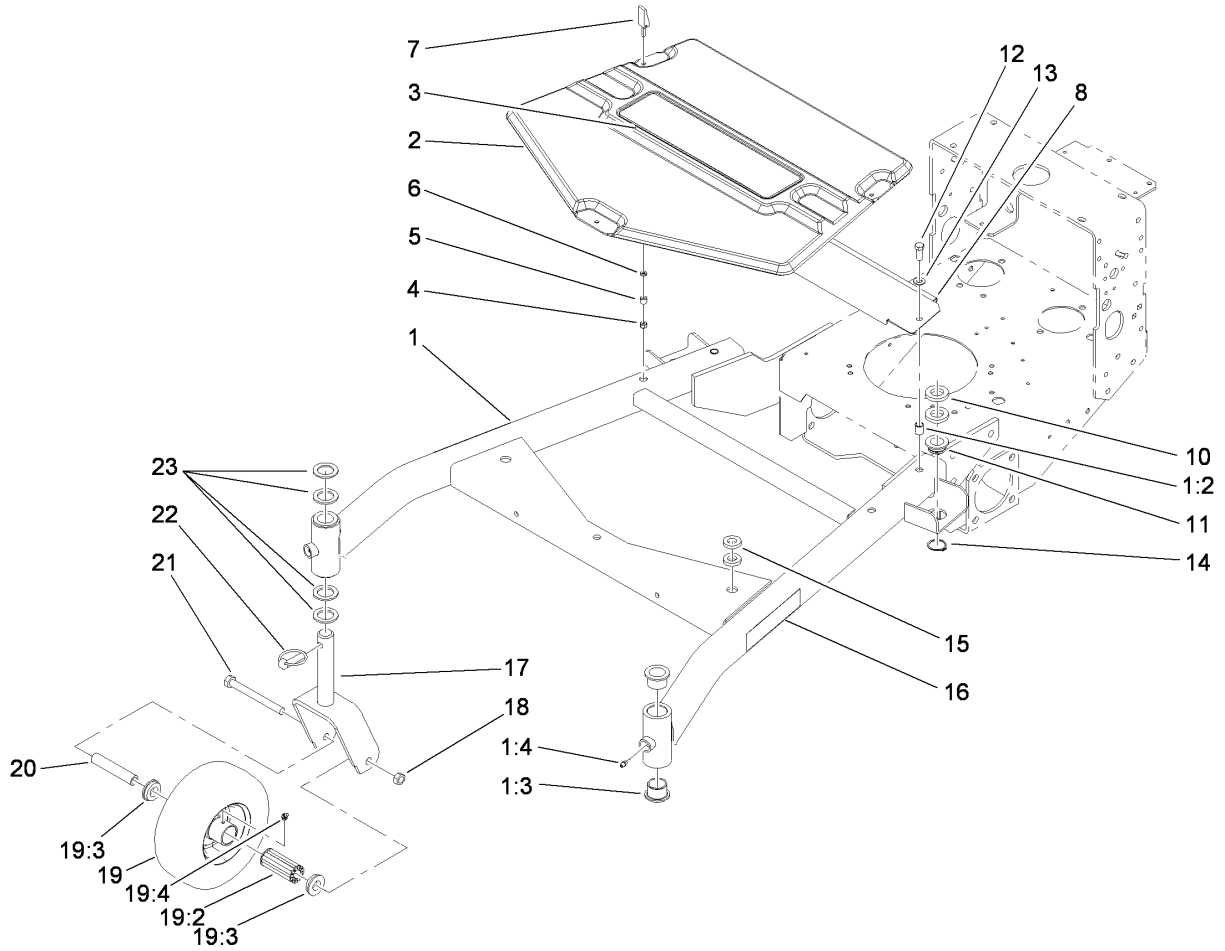
Ref	Part No.	Qty.	Description
26	112-9972	1	Washer-Conical, Spring



Power-Take-Off Idler and Weight Assembly

Ref	Part No.	Qty.	Description
2	3296-39	1	Nut-Lock, NI
4	52-2860	3	Washer
5	104-6377	1	Tube-Idler
6	108-2734	1	Idler Arm ASM
6:1	1-513034	2	Sleeve-Bearing
6:2	302-5	1	Fitting-Grease
7	323-42	1	Screw-HH
8	323-6	1	Screw-HH
9	98-5975	1	Washer-Belleville
10	3256-24	1	Washer-Flat
11	1-413099	1	Pulley-Idler
12	105-8443	1	Spring-Extension
13	323-10	1	Screw-HH
14	3290-357	1	Nut-HHF, Whiz
15	32128-21	1	Nut-HF
16	112-7059-01	1	Weight-Cast
17	322-9	2	Screw-HH
18	3256-23	2	Washer-Flat
19	3296-29	2	Nut-Lock, NI

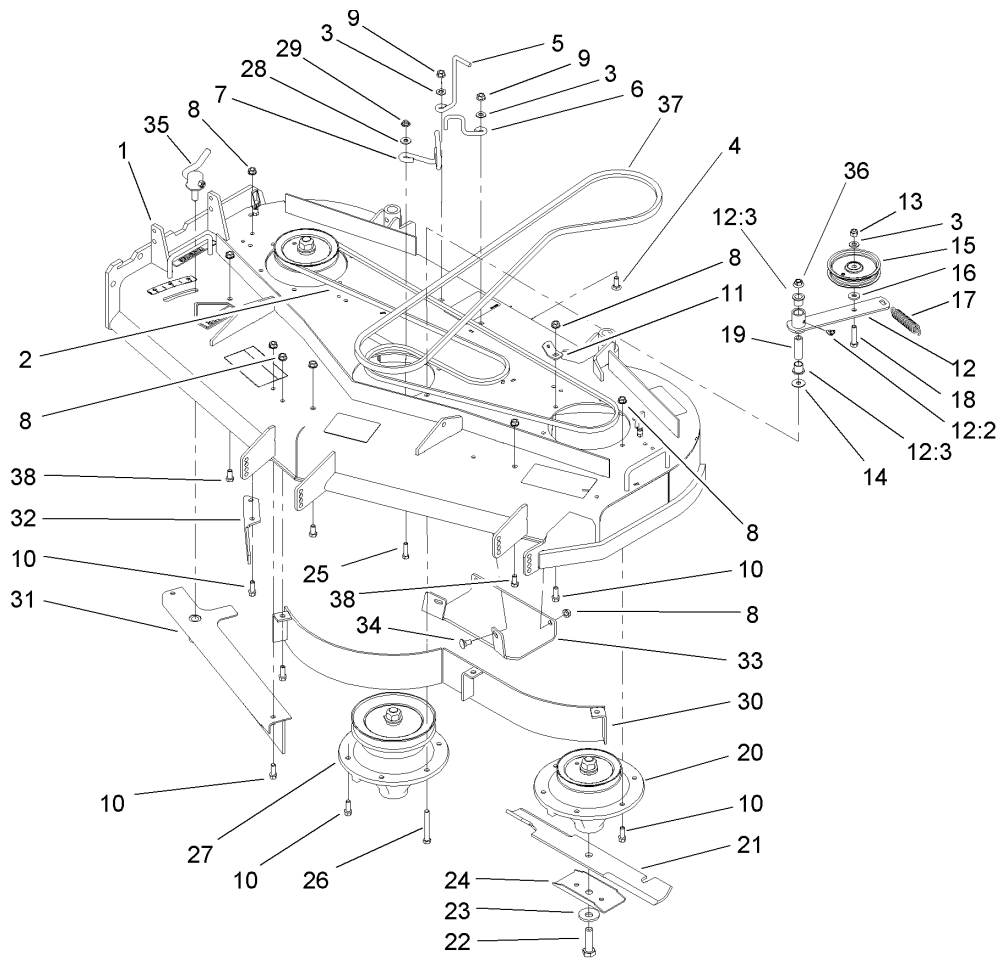
--	--	--	--



Carrier Frame Assembly

Ref	Part No.	Qty.	Description
1	108-2665	1	Carrier Frame ASM
1:2	32148-9	2	Insert-Nut
1:3	94-1291	4	Bushing
1:4	302-5	2	Fitting-Grease
2	108-6625	1	Cover-Frame, Carrier
3	112-9713	1	Decal
4	1-804254	3	Nut
5	106-6778	3	Bushing-Latch, Swell
6	99-3058	3	Washer
7	106-6777	3	Handle-Latch, Swell
8	112-7051-01	1	Shield-Belt
10	104-1105	4	Spacer-Support, Deck
11	1-513336	2	Bushing-Deck
12	323-6	2	Screw-HH
13	3256-24	2	Washer-Flat
14	32120-33	2	Ring-Retaining
15	1-323539	4	Spacer
16	106-0635	2	Decal-HOC
17	105-3159-01	2	Castor Fork ASM
18	32153-5	2	Nut-Lock, Side
19	110-5024	2	Wheel And Tire ASM
19:2	112-7066	1	Bearing-Roller
19:3	1-513810	2	Bushing
19:4	302-61	1	Zerk

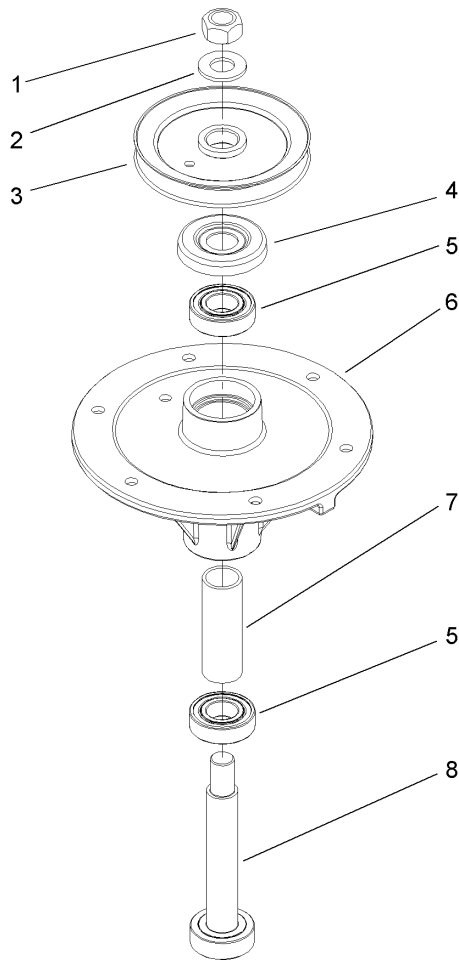
Ref	Part No.	Qty.	Description
20	100-6453	2	Bushing-Spanner
21	325-19	2	Screw-HH
22	283-71	2	Pin-Lynch
23	3-6781	8	Washer-Thrust



Deck Drive and Baffle Assembly

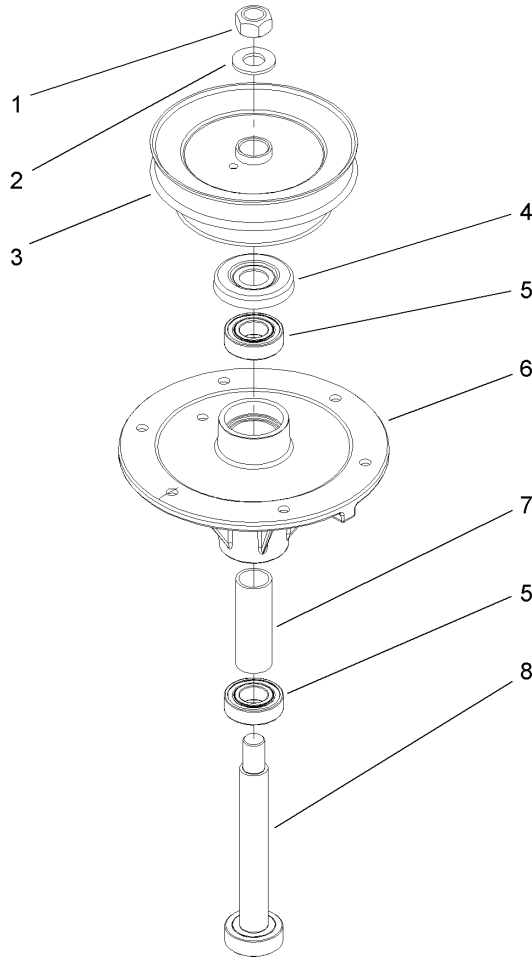
Ref	Part No.	Qty.	Description
1	112-7083	1	Deck ASM
2	108-2694	1	Belt-V
3	3256-24	3	Washer-Flat
4	3231-22	2	Screw-CARR
5	98-5980	1	Guide-Belt
6	110-6975	1	Guide-Belt
7	105-0850	1	Guide-Belt
8	3290-357	29	Nut-HHF, Whiz
9	32128-21	2	Nut-HF
10	92-1624	22	Screw
11	104-6374	1	Plate-Spring
12	108-2728	1	Idler Arm ASM
12:2	302-11	1	Fitting-Lube, 45 DEG
12:3	256-90	2	Bushing-Flange
13	3296-39	1	Nut-Lock, NI
14	52-2860	1	Washer
15	93-1622	1	Pulley-Idler
16	9202414	1	Washer-Spacer
17	51-3650	1	Spring-Extension
18	323-9	1	Screw-HH
19	112-7091	1	Spacer
20	110-0728	2	Spindle ASM
21	105-7781-03	3	Blade-18 Inch (Hi Flow)
22	51-4060	3	Screw-Blade

Ref	Part No.	Qty.	Description
23	103-0865	3	Washer-Blade Bolt, Heavy
24	108-2727	3	Stiffener-Blade
25	322-6	1	Screw-HH
26	323-14	1	Screw-HH
27	110-0730	1	Spindle ASM
28	3256-3	1	Washer-Flat
29	32128-13	1	Nut-HF
30	110-0740-03	1	Baffle ASM
31	110-0745-03	1	Adjustable Baffle ASM
32	110-0754-01	1	Baffle-Discharge
33	106-7358-01	1	Plate-Skid
34	3231-1	4	Screw-CARR
35	107-1664	1	Lever ASM
36	32128-19	1	Nut-HF
37	108-2693	1	Belt-V
38	323-4	3	Screw-HH



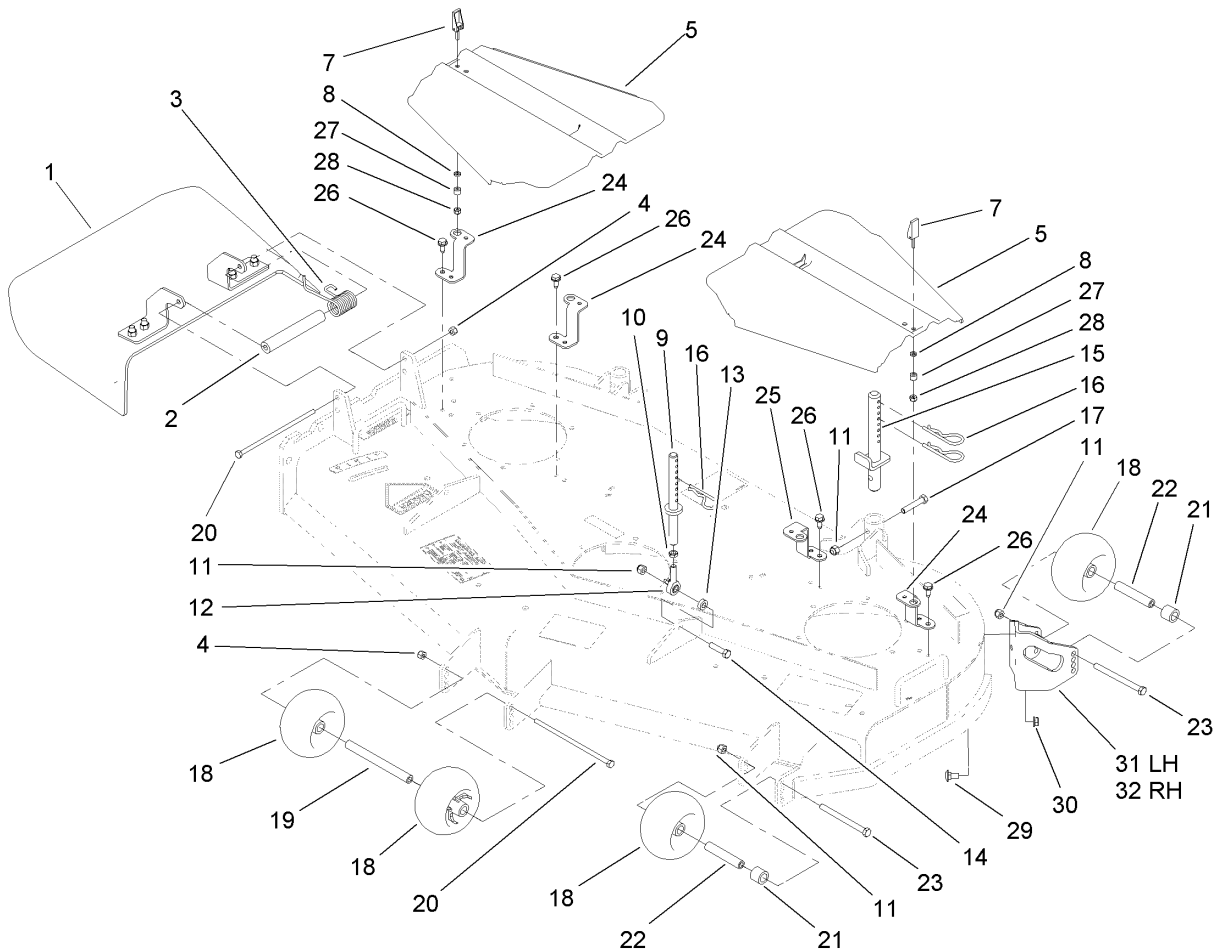
Spindle Assembly No. 110-0728

Ref	Part No.	Qty.	Description				
1	3219-7	1	Nut-Hex				
2	7-4150	1	Washer				
3	104-1181	1	Pulley ASM				
4	106-0873	1	Shield-Bearing				
5	104-6325	2	Bearing				
6	108-6696	1	Housing-Spindle				
7	110-0727	1	Spacer-Bearing				
8	110-0726	1	Shaft-Spindle				



Spindle Assembly No. 110-0730

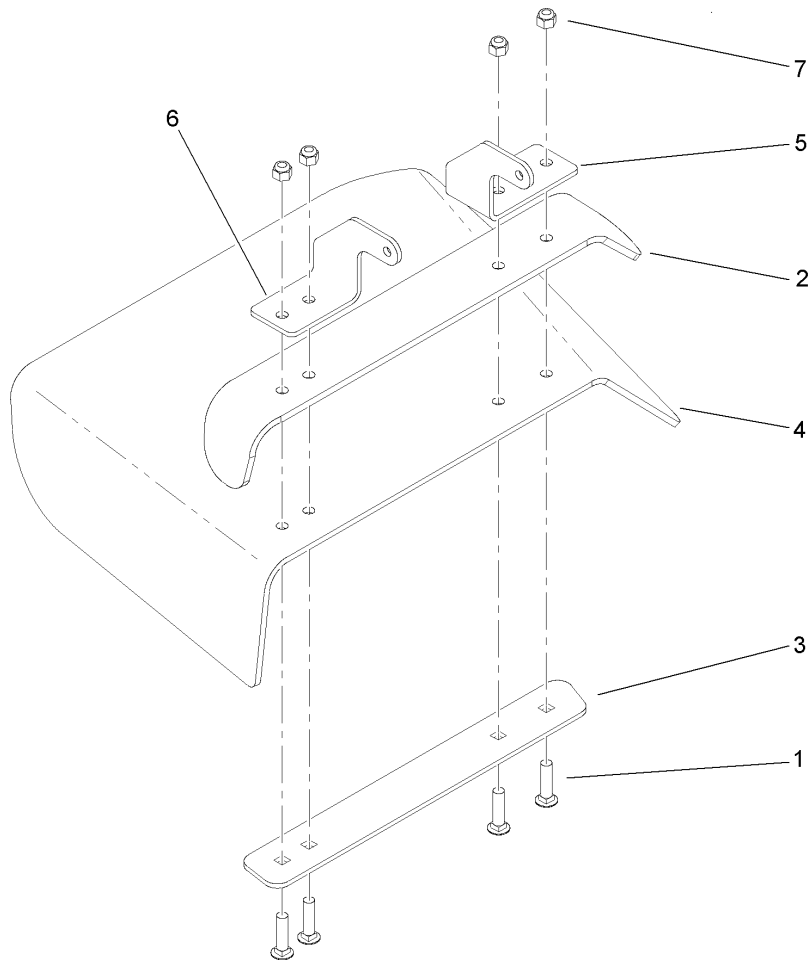
Ref	Part No.	Qty.	Description				
1	3219-7	1	Nut-Hex				
2	7-4150	1	Washer				
3	108-6627	1	Pulley And Hub ASM				
4	106-0873	1	Shield-Bearing				
5	104-6325	2	Bearing				
6	108-6696	1	Housing-Spindle				
7	110-0727	1	Spacer-Bearing				
8	110-0725	1	Shaft-Spindle				



Deck Assembly

Ref	Part No.	Qty.	Description
1	110-0758	1	Deflector ASM
2	105-4622	1	Spacer
3	104-8554	1	Spring-Torsion
4	3296-29	2	Nut-Lock, NI
5	107-8536	2	Cover-Belt
7	106-6777	2	Handle-Latch, Swell
8	99-3058	2	Washer
9	108-2674	2	Front Pin ASM
10	3220-3	2	Nut-HJ
11	3296-39	7	Nut-Lock, NI
12	1-613204	2	Balljoint
13	104-1156	2	Spacer
14	323-8	2	Screw-HH
15	110-2086	2	Rear Pin ASM
16	3290-256	6	Pin-Hair
17	323-10	2	Screw-HH
18	1-603299	5	Roller-Scalp, Anti
19	98-5967	1	Spacer-Wheel
20	322-50	2	Screw-HH
21	98-7913	3	Tube-Spacer
22	98-7912	3	Tube-Spinner
23	323-23	3	Screw-HH
24	108-2698-01	3	Bracket-Cover
25	108-2699-01	1	Bracket-Cover

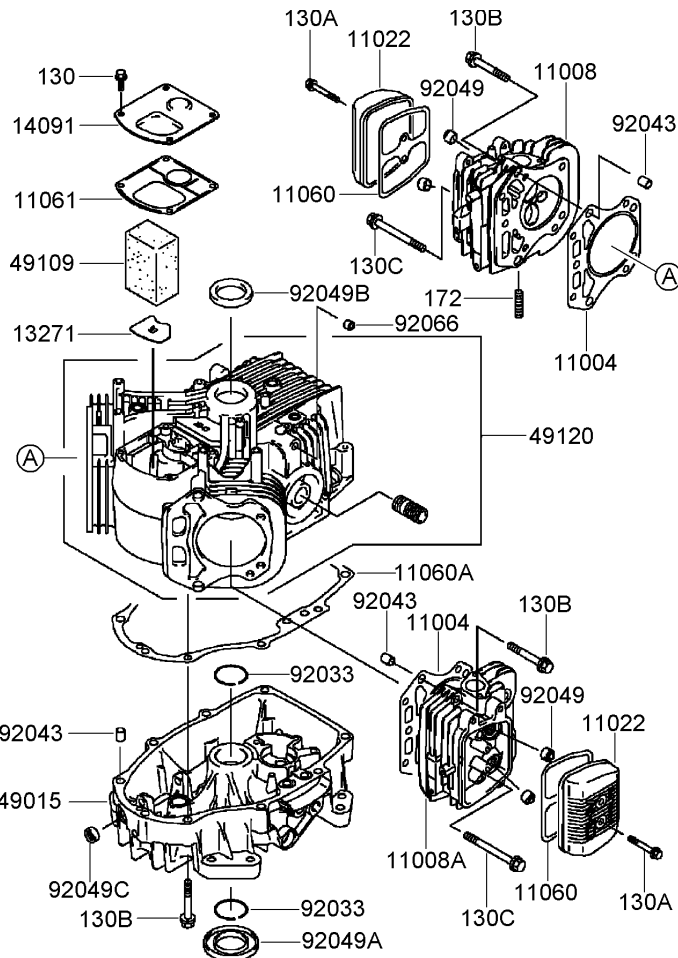
Ref	Part No.	Qty.	Description
26	32144-70	4	Screw-HWHTF
27	106-6778	2	Bushing-Latch, Swell
28	1-804254	2	Nut
29	3231-1	6	Screw-CARR
30	32128-21	6	Nut-HF
31	110-0736-01	1	Bracket-Roller, LH
32	110-0737-01	1	Bracket-Roller, RH



Deflector Assembly No. 110-0758

Ref	Part No.	Qty.	Description
1	3231-4	4	Screw-CARR
2	106-3246-01	1	Deflector
3	106-3248-03	1	Strap-Discharge
4	110-0759	1	Deflector-Rubber
5	107-4197-01	1	Bracket-Hinge, Rear
6	107-4196-01	1	Bracket-Hinge, Front
7	3296-39	4	Nut-Lock, NI

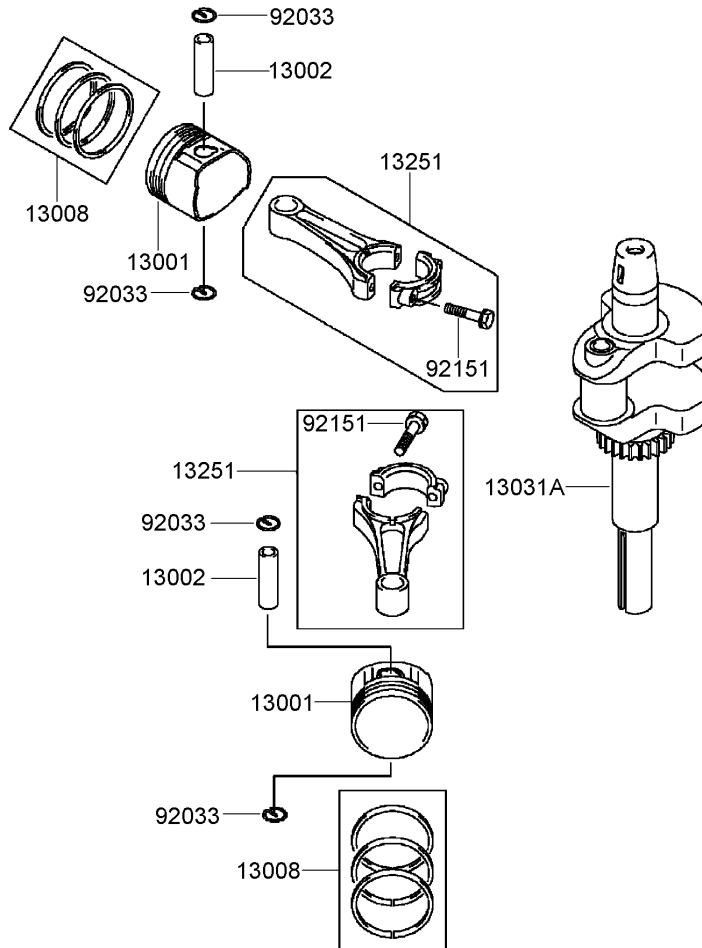
--	--	--	--



Cylinder and Crankcase Assembly Kawasaki FH580V-DS28

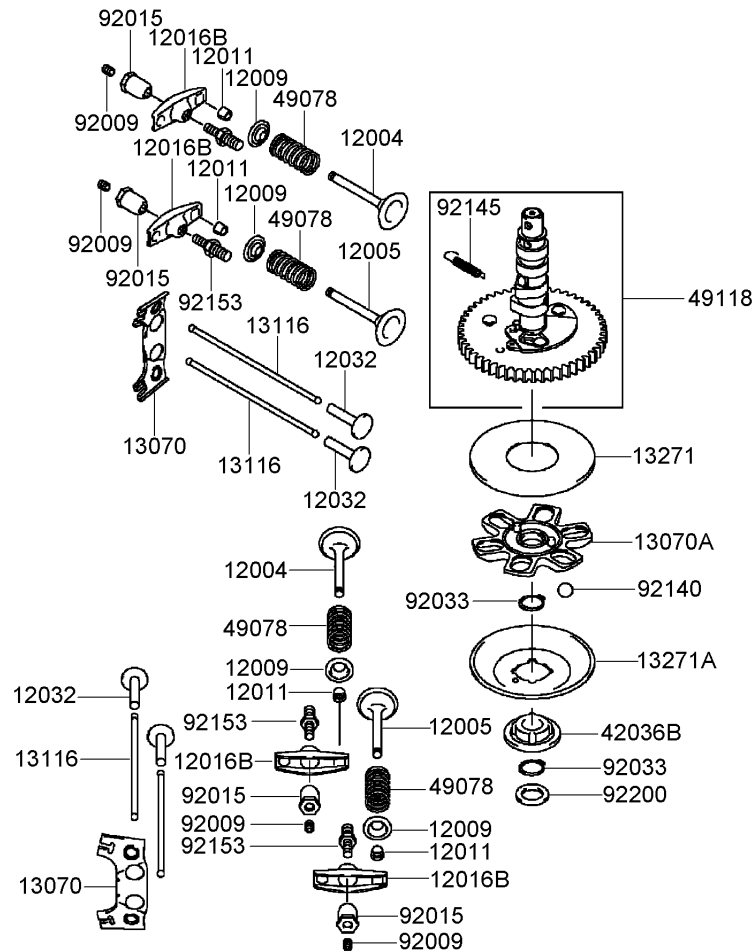
Ref	Part No.	Qty.	Description
③11004	11004-7016	2	Gasket-Head
③11008	11008-6043	1	Head-Cylinder, No. 1
③11008A	11008-7020	1	Head-Cylinder, No. 2
③11022	11022-7003	2	Case-Rocker
③11060	11060-7001	2	Gasket-Case, Rocker
③11060A	11060-7008	1	Gasket-Cover, Crankcase
③11061	11061-7001	1	Gasket-Breather
③13271	13271-7016	1	Plate
③14091	14091-7006	1	Cover
③49015	49015-6253	1	Cover-Crankcase
③49109	49109-7002	1	Element-Breather
③49120	49120-7023	1	Crankcase
③92033	92033-7003	2	Ring-Snap
③92043	92043-7001	6	Pin
③92049	92049-7001	4	Seal-Oil, R V C2 (6X11X10.2)
③92049A	92049-7015	1	Seal-Oil, S D (35X62X8 L HSH)
③92049B	92049-7016	1	Seal-Oil, S D (35X48X8 R HSH)
③92049C	92049-7019	1	Seal-Oil, S O (8X14X5 HSH)
③92066	92066-7002	1	Plug
③130	130B0612	4	Bolt-Flanged (6X12)
③130A	130B0640	4	Bolt-Flanged (6X40)
③130B	130T0850	17	Bolt-Flanged (8X50)
③130C	130T0875	2	Bolt-Flanged (8X75)
③172	172G0818	4	Bolt-Stud (8X18)

--	--	--	--	--



Piston and Crankshaft Assembly Kawasaki FH580V-DS28

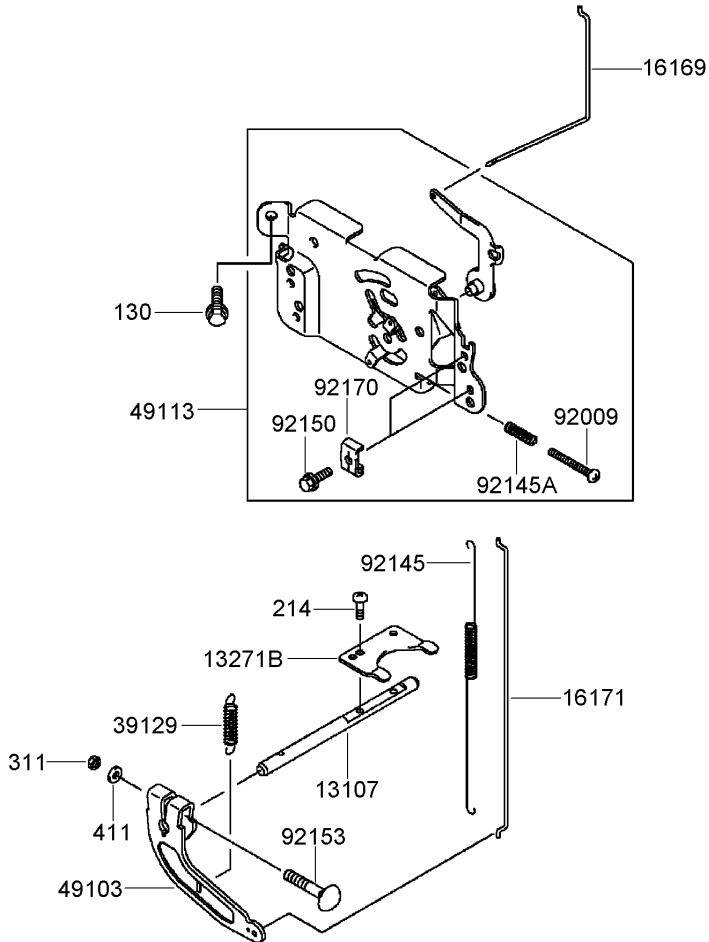
Ref	Part No.	Qty.	Description				
③13001	13001-7010	2	Piston-Engine				
③13002	13002-7001	2	Pin-Piston				
③13008	13008-6060	2	Ring Set-Piston				
③13031A	13031-7073	1	Crankshaft				
③13251	13251-7010	2	Connecting Rod ASM				
③92033	92033-7005	4	Ring-Snap				
③92151	92151-7017	4	Bolt (6X35)				



Valve and Camshaft Assembly Kawasaki FH580V-DS28

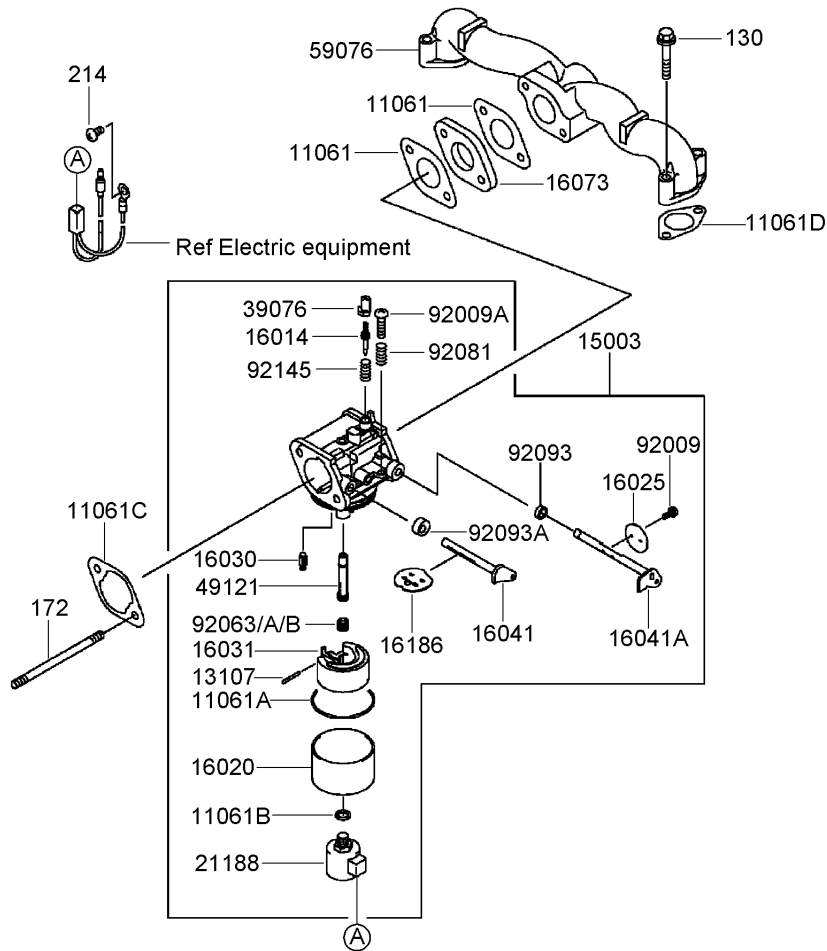
Ref	Part No.	Qty.	Description
③12004	12004-7003	2	Valve-Intake
③12005	12005-7003	2	Valve-Exhaust
③12009	12009-7001	4	Retainer-Spring, Valve
③12011	12011-2056	8	Collet
③12016B	12016-7008	4	Arm-Rocker
③12032	12032-7001	4	Tappet
③13070	13070-7001	2	Guide
③13070A	13070-7004	1	Guide
③13116	13116-2057	4	Rod-Push
③13271	13271-7007	1	Plate
③13271A	13271-7021	1	Plate-Governor
③42036B	42036-7010	1	Sleeve
③49078	49078-7001	4	Spring-Valve, Engine
③49118	49118-7004	1	Camshaft
③92009	92009-2341	4	Screw
③92015	92015-2253	4	Nut
③92033	92033-7001	2	Ring-Snap
③92140	92140-7002	6	Ball
③92145	92145-7001	1	Spring
③92153	92153-7019	4	Bolt
③92200	92200-7001	1	Washer

--	--	--	--



Control Equipment Assembly Kawasaki FH580V-DS28

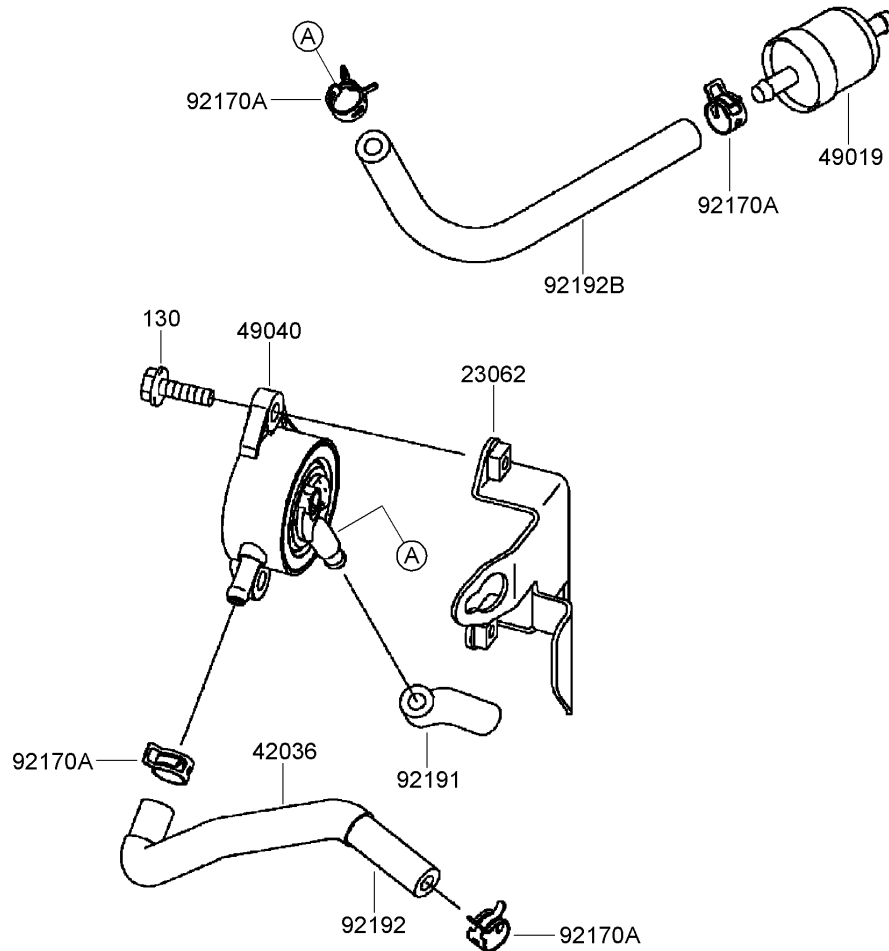
Ref	Part No.	Qty.	Description
③13107	13107-7010	1	Shaft
③13271B	13271-7032	1	Plate
③16169	16169-7010	1	Link-Choke
③16171	16171-7001	1	Link
③39129	39129-7003	1	Spring-Governor
③49103	49103-7004	1	Arm-Governor
③49113	49113-7024	1	Panel-Control
③92009	92009-7007	1	Screw (4X35)
③92145	92145-7003	1	Spring
③92145A	92145-7005	1	Spring
③92150	92150-2182	2	Bolt (5X18)
③92153	92153-7033	1	Bolt (6X35)
③92170	92170-7001	2	Clamp
③130	130B0612	2	Bolt-Flanged (6X12)
③214	214B0408	2	Screw-Pan (4X8)
③311	311B0600	1	Nut-Hex (6Mm)
③411	411B0600	1	Washer-Plain (6Mm)



Carburetor Assembly Kawasaki FH580V-DS28

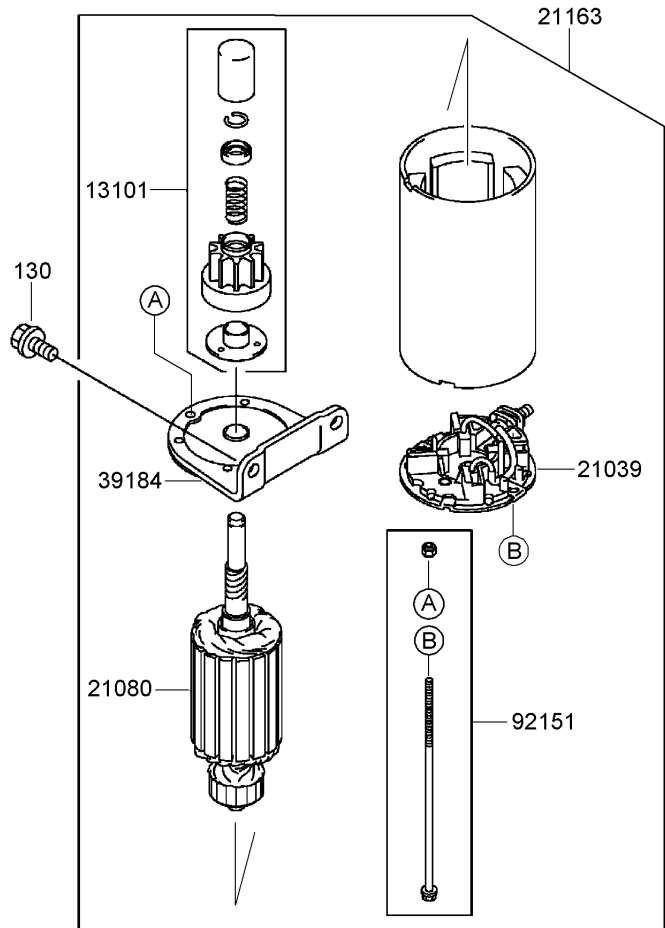
Ref	Part No.	Qty.	Description
●11061	11061-7004	2	Gasket-Insulator
●11061A	11061-7009	1	Gasket-Chamber
●11061B	11061-7010	1	Gasket-Screw
●11061C	11061-7018	1	Gasket-Cleaner, Air
●11061D	11061-7019	2	Gasket
●13107	13107-7018	1	Shaft
●15003	15003-7100	1	Carburetor ASM
●16014	16014-7007	1	Screw-Air, Pilot
●16020	16020-7003	1	Chamber-Float
●16025	16025-7006	1	Valve-Throttle
●16030	16030-7003	1	Valve-Float
●16031	16031-7002	1	Float
●16041	16041-7016	1	Shaft-Choke, Carburetor
●16041A	16041-7018	1	Shaft-Throttle, Carburetor
●16073	16073-7007	1	Insulator
●16186	16186-7004	1	Choke Valve ASM
●21188	21188-7002	1	Solenoid
●39076	39076-7001	1	Limiter
●49121	49121-7004	1	Nozzle-Main
●59076	59076-7001	1	Manifold-Intake
●92009	92009-2083	2	Screw
●92009A	92009-2349	1	Screw
●92063	92063-7037	1	Jet-Main (No. 105)
●92063A	92063-7046	1	Jet-Main (No. 100)

Ref	Part No.	Qty.	Description
●92063B	92063-7062	1	Jet-Main No. 110
●92081	92081-2234	1	Spring
●92093	92093-2100	1	Seal
●92093A	92093-7003	1	Seal
●92145	92145-7015	1	Spring
●130	130B0635	4	Bolt-Flanged (6X35)
●172	172G0690	2	Bolt-Stud (6X90)
●214	214B0510	1	Screw-Pan (5X10)



Fuel Tank and Valve Assembly Kawasaki FH580V-DS28

Ref	Part No.	Qty.	Description
①23062	23062-7004-9H	1	Bracket
①42036	42036-7012	1	Sleeve
①49019	49019-7001	1	Filter-Fuel
①49040	49040-7001	1	Pump-Fuel
①92170A	92170-2088	4	Clamp
①92191	92191-7002	1	Tube
①92192	92192-7035	1	Tube (6.35X12.7X170)
①92192B	92192-7037	1	Tube (6.35X12.7X160)
①130	130B0620	2	Bolt-Flanged (6X20)



Starter Assembly Kawasaki FH580V-DS28

Ref	Part No.	Qty.	Description
● 13101	13101-7003	1	Gear ASM
● 21039	21039-7004	1	Brush
● 21080	21080-7001	1	Armature
● 21163	21163-7010	1	Starter-Electric
● 39184	39184-7004	1	Bracket ASM
● 92151	92151-7013	1	Bolt
● 130	130B0816	2	Bolt-Flanged (8X16)

--	--	--	--

Attachments and Accessories

For 30499 - Commercial Walk-Behind Mower, Floating Deck T-Bar Hydro with 52in TURBO FORCE Cutting Unit

Product Name	Model/Part
Blade-Recycler, 18 Inch	105-7779-03
Blade-Med Flow, 18 Inch	105-7794-03
Blade-Low Flow, 18 Inch	105-7795-03
Blade-Atomic, 18 Inch	105-7796-03
Turbo Baffle Kit	107-1634
Blade-Hi-Flow, 18 Inch (6 Pack)	108-1117
Blade-Atomic, 18 Inch (6 Pack)	108-1118
Blade-Lo-Flow, 18 Inch (6 Pack)	110-0406
Blade-Recycler, 18 Inch (6 Pack)	110-0408
Blade-Med-Flow, 18 Inch (6 Pack)	110-0409
52 Inch Recycler Kit	110-2040
Weight-Cast	112-7059-01
Weight Kit	112-9971
Soft Bag (3 Bushel)	30104
Tru Trak Sulky	30110

NOTES

NOTES

NOTES

