



Z Master[®] G3 Riding Mower with 60in TURBO FORCE[®] Side Discharge Mower

Model No. 74955CP - 290000001 and up.

Parts Catalog

Ordering Replacement Parts

To order replacement parts, please supply the part number, the quantity, and the description of each part desired.

Understanding Reference Numbers

Each Identified part in an illustration has a reference number. The reference number for a part also appears in the parts list, along with other information about the part.

This catalog uses two special reference number formats, one to indicate parts in a service assembly and another to indicate the quantity of a given part in an illustration.

Service Assembly Reference Numbers

Parts in service assemblies have reference numbers in the form a:b. The a represents the reference number of the entire service assembly and the b represents a sequential number unique to each part within the service assembly.

For example, a wheel assembly might be identified by reference number 6, the tire by 6:1, the valve by 6:2, and the wheel by 6:3. When you order the assembly identified by reference number 6, you receive all parts identified by reference numbers 6:1, 6:2, and 6:3. However, you may also order any part individually. Reference numbers of this type appear in illustrations and in part lists.

Reference Numbers Indicating Quantity

In an illustration, if a reference number indicates more than one part, the reference number has the form nX y. The n represents the quantity of the part, the X is the multiplication symbol, and the y represents the reference number.

For example, in an illustration, the reference number 2X 37 means that two of the parts identified by reference number 37 are indicated.

Contents

Description	Page	Description	Page
Front Frame and Caster Wheel Assembly	3	Spindle Assembly No. 117-3840	27
Roll-Over Protection System Assembly No. 116-0232	4	Lever Assembly No. 107-1664	28
Caster Wheel and Fork Assembly	5	Rubber Deflector Assembly No. 108-2792	29
Hydraulic Pump, Idler and Belt Assembly	6	Cylinder and Crankcase Assembly Kawasaki FX921V-AS04	30
Pump Idler Assembly No. 116-1255	7	Piston and Crankshaft Assembly Kawasaki FX921V-AS04	31
LH Hydro Assembly No. 116-1382	8	Valve and Camshaft Assembly Kawasaki FX921V-AS04	32
RH Hydro Assembly No. 116-1383	9	Lubrication Equipment Assembly Kawasaki FX921V-AS04	33
Rear Wheel and Park Brake Assembly	10	Cooling Equipment Assembly Kawasaki FX921V-AS04	34
Brake Handle Assembly No. 116-1878	11	Electric Equipment Assembly Kawasaki FX921V-AS04	35
Fuel System Assembly	12	Control Equipment Assembly Kawasaki FX921V-AS04	36
Fuel Tank Assembly No. 109-9357	13	Carburetor Assembly Kawasaki FX921V-AS04	37
Seat Mounting Assembly	14	Air Filter and Muffler Assembly Kawasaki FX921V-AS04	38
Seat Assembly No. 116-0035	15	Fuel Tank and Fuel Valve Assembly Kawasaki FX921V-AS04	39
Motion Control Assembly	16	Starter Assembly Kawasaki FX921V-AS04	40
Fender, Console and Control Assembly	17	Label Set Kawasaki FX921V-AS04	41
LH Console Assembly No. 115-7401	18	Attachments and Accessories List	42
RH Console Assembly No. 115-7400	19		
Electrical System Assembly	20		
Deck Lift Assembly	21		
Height-of-Cut Assembly No. 109-7438	22		
Engine, Muffler and Clutch Assembly	23		
Deck Assembly	24		
Deck Decal Assembly No. 112-4180	25		
Idler Assembly	26		

Part Description Abbreviations

Part descriptions in this catalog may include the following abbreviations.

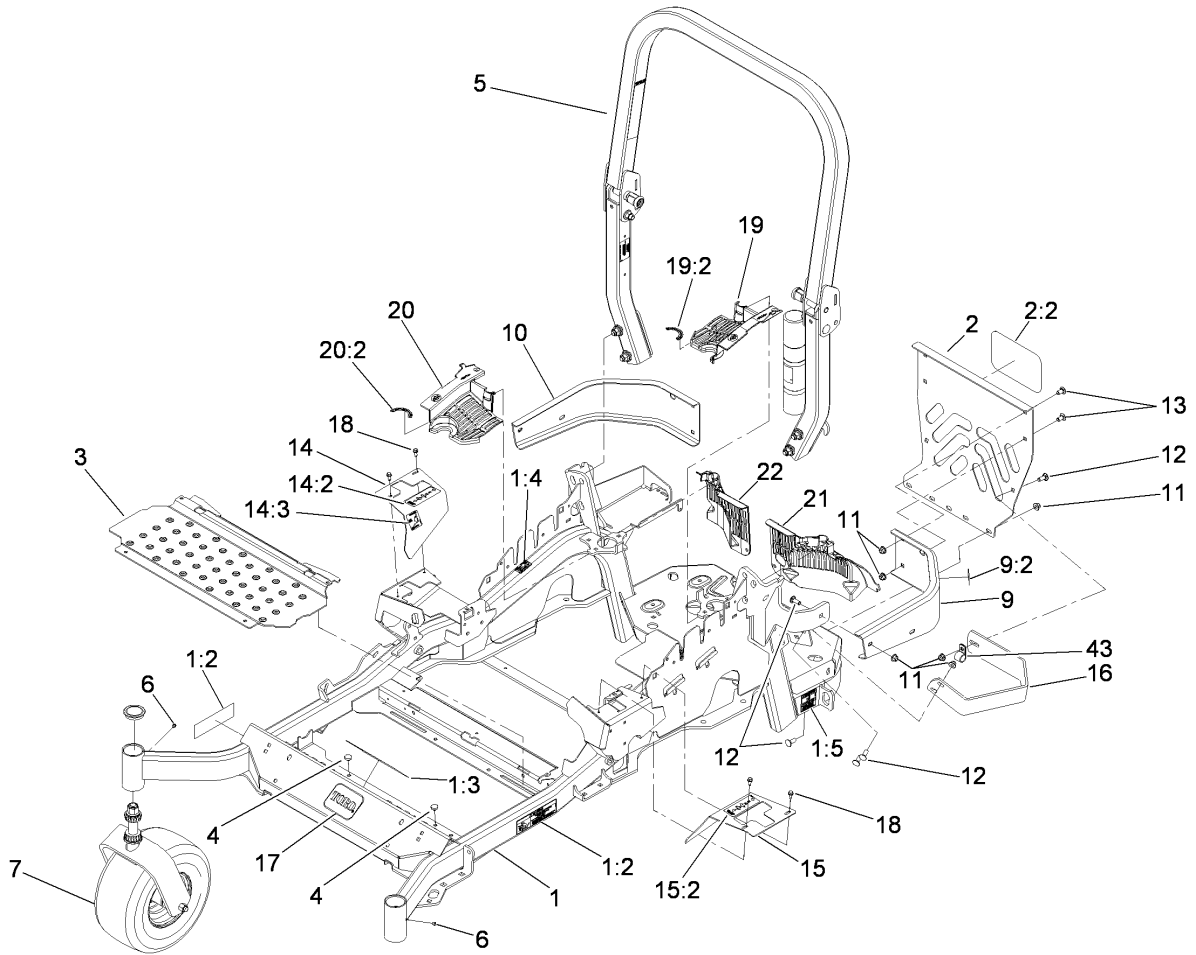
AR. as required	HWHTF. hex washer head thread forming
ASM. assembly	HYD. hydraulic
BBC. blade brake clutch	LH. left hand
CARR. carriage	NI. nylon insert
CCW. counter clock wise	NPTF. national pipe thread fine
CW. clockwise	PFH. phillips flat head
DEG. degrees	PPH. phillips pan head
ECM. electronic control module	PPHTF. phillips pan head thread forming
EXT. external	PRH. phillips round head
FH. flat head	PTH. phillips truss head
GA. gauge	PTO. power-take-off
HD. heavy-duty	RH. right hand
HF. hex flange	ROPS. roll-over protection system
HH. hex head	SFH. slotted fillister head
HHF. hex head flange	SHH. slotted hex head
HHFTF. hex head flange thread forming	SHWH. slotted hex washer head
HJ. hex jam	SPH. slotted pan head
HLH. hex lag head	SQH. square head
HOC. height-of-cut	SRH. slotted round head
HSBH. hex socket button head	STD. standard
HSFH. hex socket flat head	TAP. self tapping
HSH. hex socket head	TTH. torx truss head
HWH. hex washer head	

Footnotes

❶ Not illustrated

❷ Not serviced separately

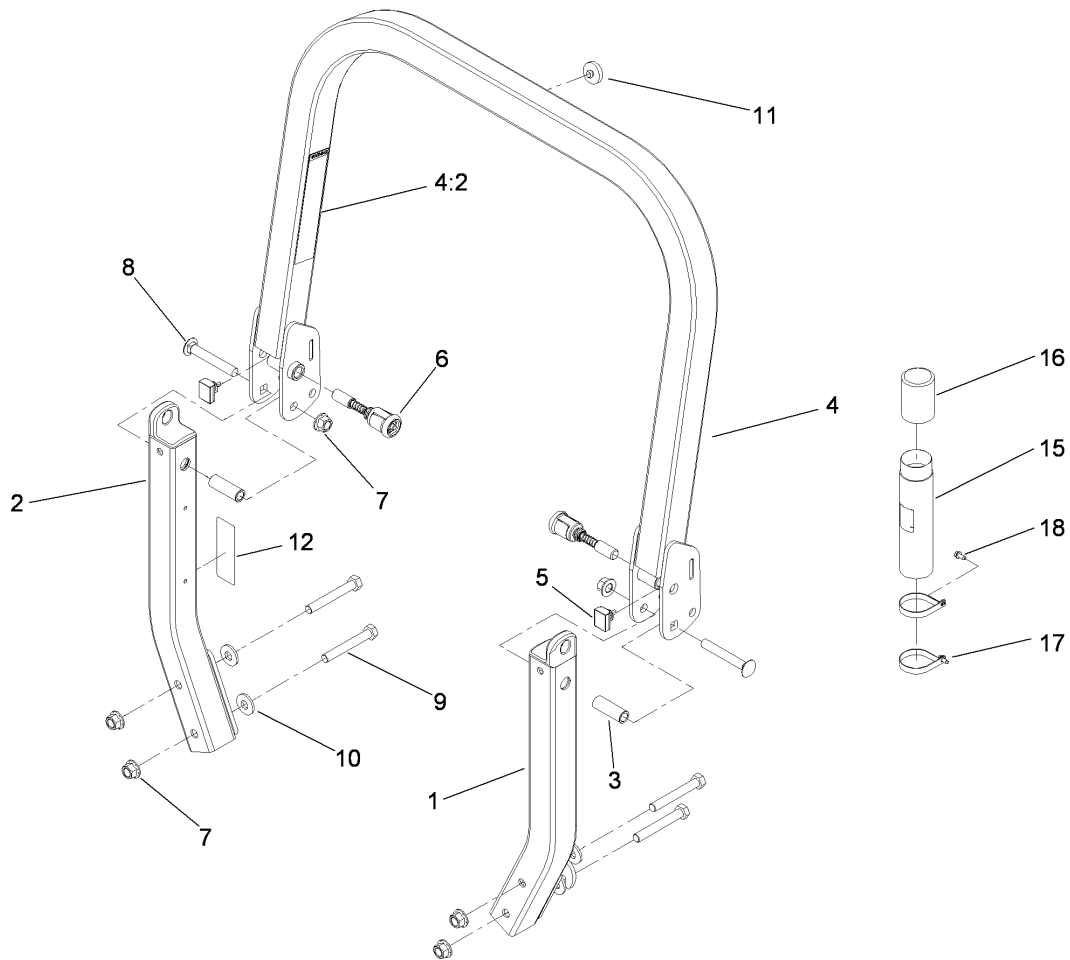
③ Obtain parts from www.kawpowerepc.com



Front Frame and Caster Wheel Assembly

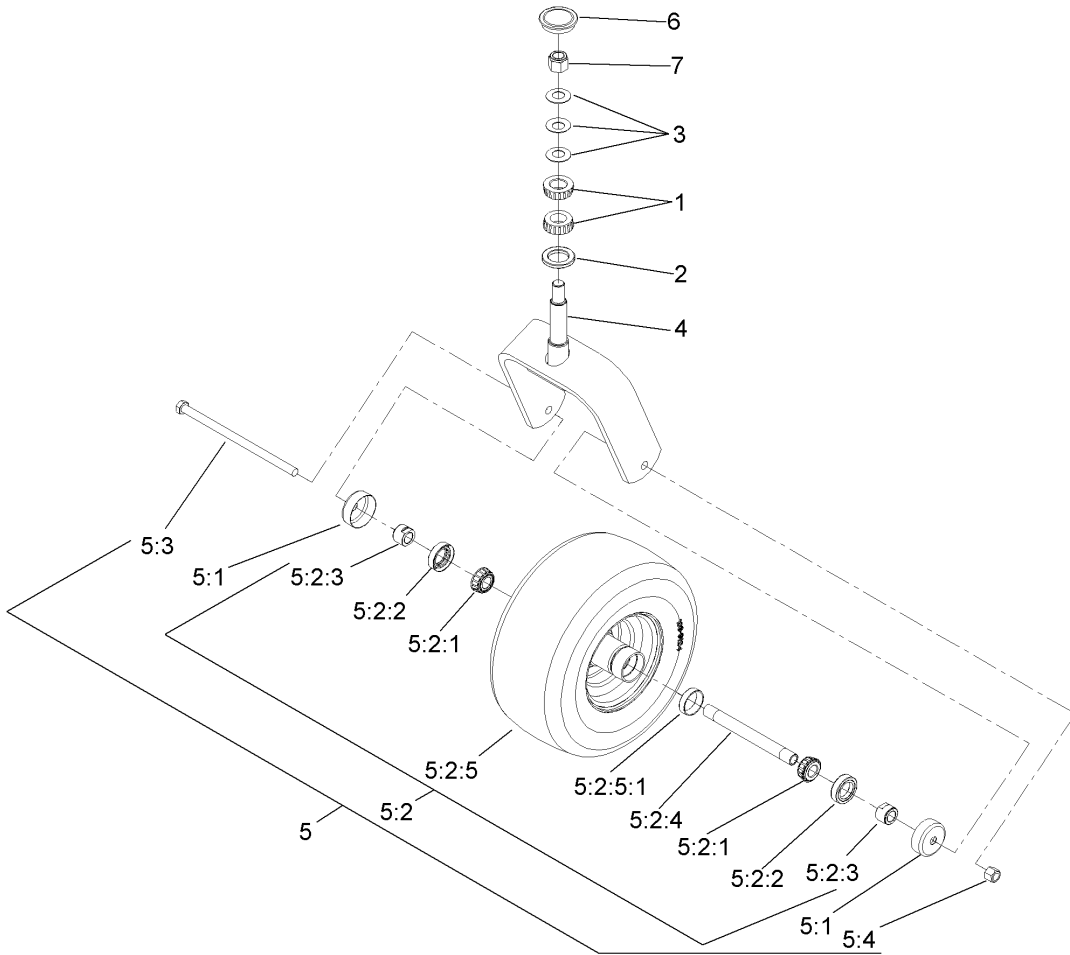
Ref	Part No.	Qty.	Description
1	109-7347	1	Main Frame ASM
1:2	109-9477	2	Decal-Warning
1:3	107-2112	1	Decal-Warning
1:4	103-2076	2	Decal-Caution
1:5	116-0205	2	Decal-Belt Drive
2	115-7410	1	Rear Guard ASM
2:2	67-7320	1	Decal
3	116-0024-01	1	Floorpan
4	1-513658	2	Bumper
5	116-0232	1	ROPS ASM
6	1-811010	2	Plug
7		2	Caster Wheel ASM
9	116-0180	1	LH Bumper ASM
9:2	103-2076	1	Decal-Caution
10	116-0057-03	1	Bumper-RH
11	104-8301	11	Nut-Flange, NI
12	3231-22	7	Screw-CARR
13	3231-21	4	Screw-CARR
14	116-0579	1	RH Motion Control Cover ASM
14:2	109-7232	1	Decal-Motion Control
14:3	109-7929	1	Decal-Park Brake
15	116-0580	1	LH Motion Control Cover ASM
15:2	109-7232	1	Decal-Motion Control
16	116-0043-03	1	Guard-Muffler

Ref	Part No.	Qty.	Description
17	68-3640	1	Decal
18	32144-10	4	Screw-HWH
19	116-0170	1	LH Hydro Guard ASM
19:2	116-0157	1	Decal-Hydro Oil
20	116-0171	1	RH Hydro Guard ASM
20:2	116-0157	1	Decal-Hydro Oil
21	109-9057	1	Guard-Hydro, Rear LH
22	109-9058	1	Guard-Hydro, Rear RH
43	1-633396	1	Clip-Loom



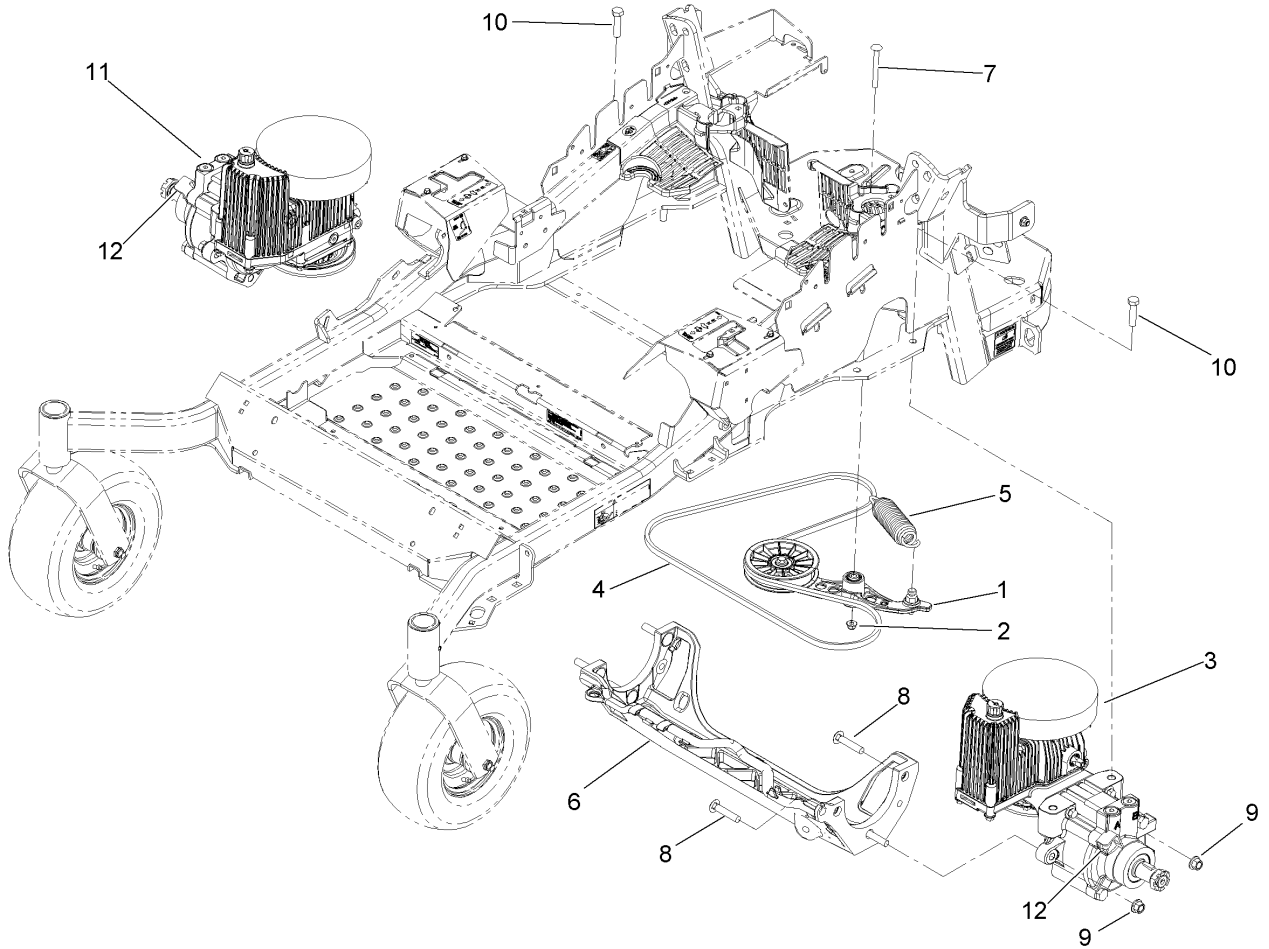
Roll-Over Protection System Assembly No. 116-0232

Ref	Part No.	Qty.	Description
②1		1	Leg-ROPS, LH
②2		1	Leg-ROPS, RH
3	109-6653	2	Spacer
②4		1	Upper ROPS ASM
4:2	107-3069	1	Decal-Warning, Folding ROPS
5	109-5337	2	Bumper-ROPS
6	116-0104	2	Spring Pin ASM
7	99-5107	6	Nut-Lock
8	3233-10	2	Screw-CARR
9	325-17	4	Screw-HH
10	109-9505	4	Washer-Spring
11	109-9233	1	Bumper-Push-In, Rubber
12	117-0346	1	Decal-Caution, Fuel Vent
15	104-7050	1	Tube-Manual
16	104-7048	1	Cap-Housing
17	107-1865	2	R-Clamp
18	32144-10	2	Screw-HWH



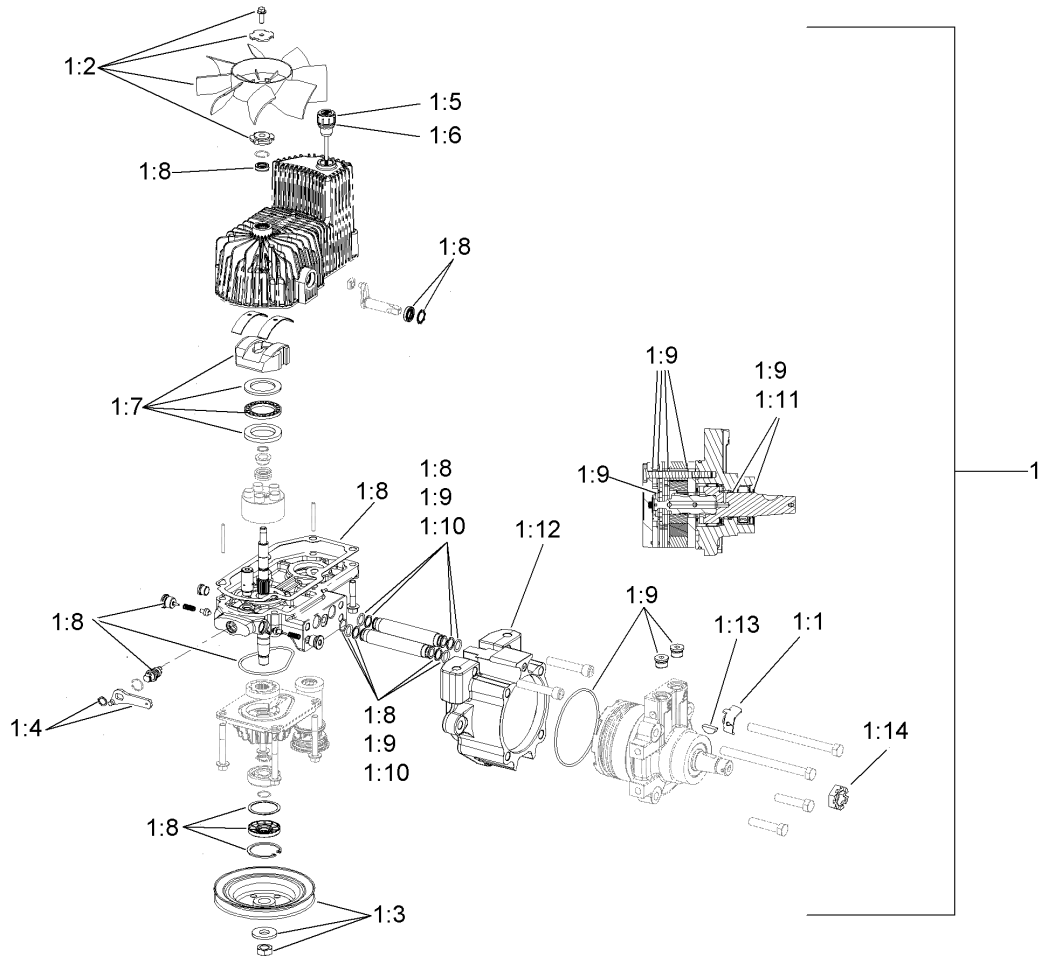
Caster Wheel and Fork Assembly

Ref	Part No.	Qty.	Description
1	1-543509	2	Bearing-Roller, Tapered
2	1-543511	1	Seal-Grease
3	1-633508	3	Washer-Bellville
4	103-1474-01	1	Caster-Fork
5	109-9127	1	Wheel And Tire ASM
5:1	103-2768	2	Guard-Seal
5:2		1	Wheel And Tire ASM
5:2:1	1-633585	2	Bearing-Cone, Taper
5:2:2	103-0063	2	Seal-Caster
5:2:3	103-3051	2	Spacer-Nut
5:2:4	103-5156	1	Axle-Caster
5:2:5	109-9124	1	Wheel And Tire ASM
5:2:5:1	1-633584	1	Bearing-Cup
5:3	325-39	1	Screw-HH
5:4	3296-23	1	Nut-Lock, NI
6	103-4882	1	Cap-Grease
7	3296-51	1	Nut-Lock, NI



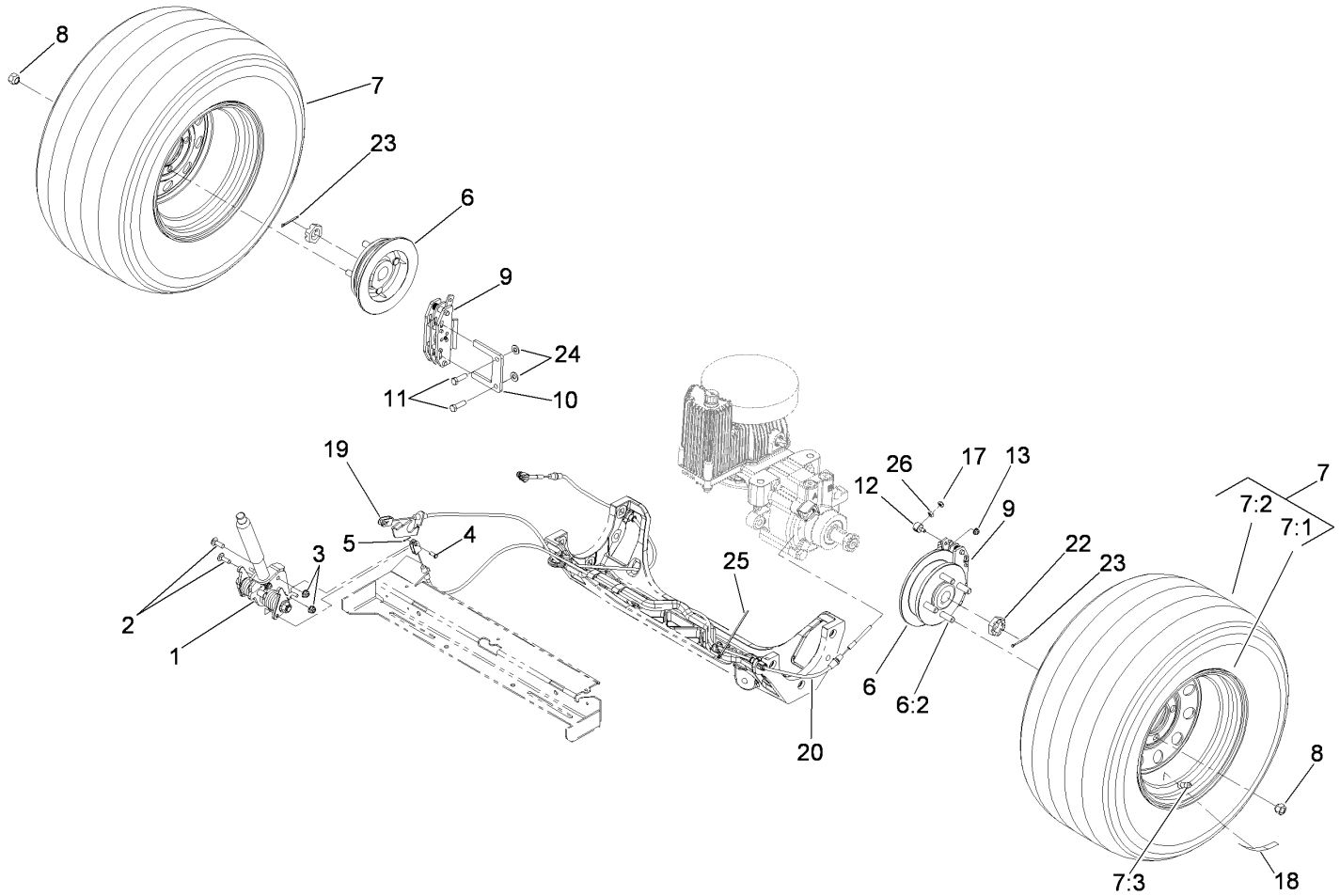
Hydraulic Pump, Idler and Belt Assembly

Ref	Part No.	Qty.	Description
1	116-1255	1	Pump Idler ASM
2	109-6658	1	Nut-Flange, NI (Split)
3	116-1382	1	LH Hydro ASM (16Cc W/Shock)
4	109-3388	1	Belt
5	116-0133	1	Extension-Spring
6	109-9375	1	Cradle-Hydro, Machined
7	3231-41	1	Bolt-Carriage
8	3233-34	6	Screw-CARR
9	99-5107	6	Nut-Lock
10	325-8	4	Screw-HH
11	116-1383	1	RH Hydro ASM (16Cc W/Shock)
12	116-1758	2	Bracket-Anchor, Cable
●99	114-4713	1	Hypr-Oil 500 (Quart)
●99	114-4714	1	Hypr-Oil 500 (Gallon)
●99	114-4715	1	Hypr-Oil 500-5 (5 Gallon)
●99	117-0390	1	Filter-Hydro



LH Hydro Assembly No. 116-1382

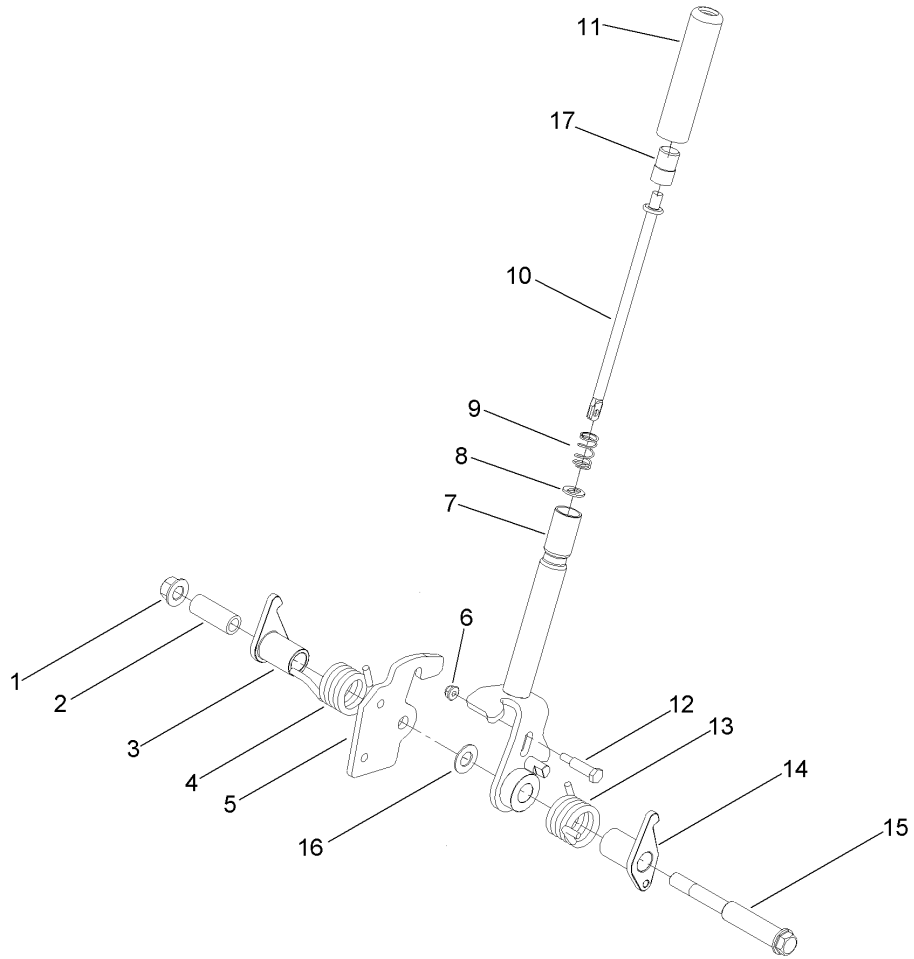
Ref	Part No.	Qty.	Description
② 1		1	Hydro-RH
1:1	116-1758	1	Bracket-Anchor, Cable
1:2	116-0233	1	Fan Kit
1:3	116-0234	1	Pulley Kit
1:4	116-0235	1	Handle-Bypass Valve, Hydro
1:5	116-0236	1	Dipstick-Hydro W/Gasket
1:6	116-0237	1	Gasket-Dipstick, Hydro
1:7	116-1367	1	Swash Block Kit
1:8	116-1368	1	Pump Seal Kit
1:9	116-1369	1	Motor Seal Kit
1:10	116-1370	1	Tube Seal Kit
1:11	116-1371	1	Output Shaft Seal Kit
1:12	116-1372	1	Cup-Nose
1:13	3257-42	1	Key-Woodruff
1:14	1-809036	1	Nut-HH
① 1:99	116-1373	1	Flow Test Kit



Rear Wheel and Park Brake Assembly

Ref	Part No.	Qty.	Description
1	116-1878	1	Brake Handle ASM
2	3230-2	2	Bolt-CARR
3	104-8300	2	Nut-Flange, NI
4	60-1730	2	Pin-Clevis
5	3272-1	2	Pin-Cotter
6	117-6163	2	Wheel Hub And Stud ASM
6:2	1-633926	4	Stud-Wheel
7	109-3248	2	Wheel And Tire ASM
7:1	109-2871	1	Rim ASM
7:2	103-2744	1	Tire
7:3	232-27	1	Stem-Valve
8	242-50	8	Nut-Lug
9	109-2889	2	Caliper-Brake
10	109-0958	2	Plate-Mount, Brake
11	323-7	4	Screw-HH
12	112-8379	2	Swivel
13	104-7201	2	Nut-HF
17	3296-13	2	Nut-Lock NI
18	116-0165	2	Decal-Hub, Wheel
19	115-3584	1	Cable
20	115-3585	1	Cable
22	1-809036	2	Nut-HH
23	1-806800	2	Pin-Cotter
24	3256-24	4	Washer-Flat

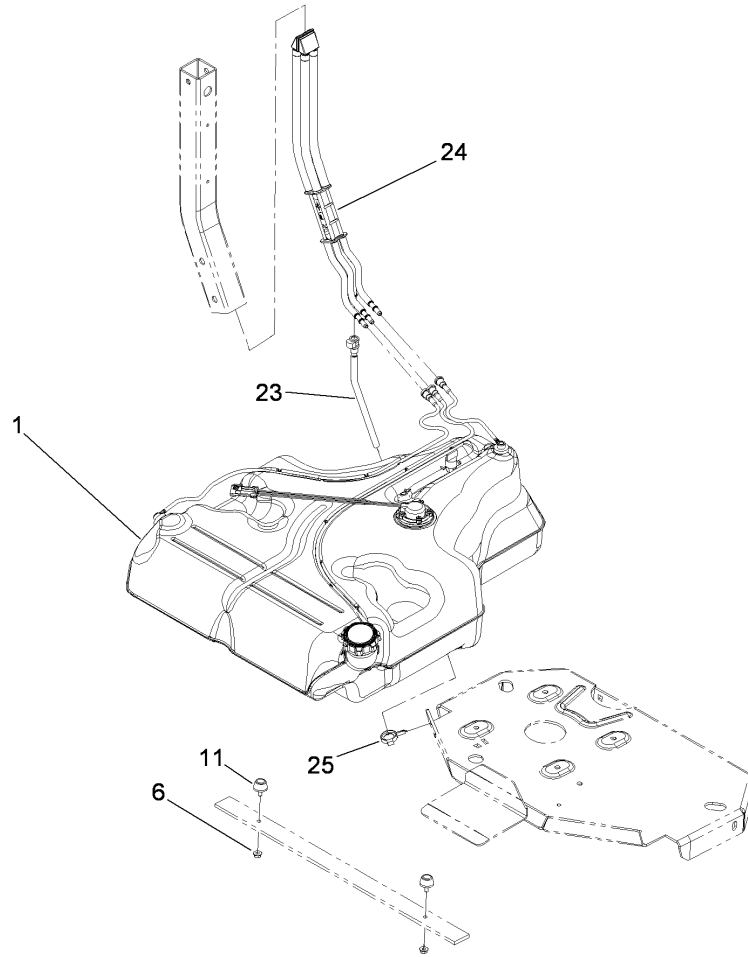
Ref	Part No.	Qty.	Description
25	116-0940	1	Tie-Cable
26	3219-1	2	Nut-Hex



Brake Handle Assembly No. 116-1878

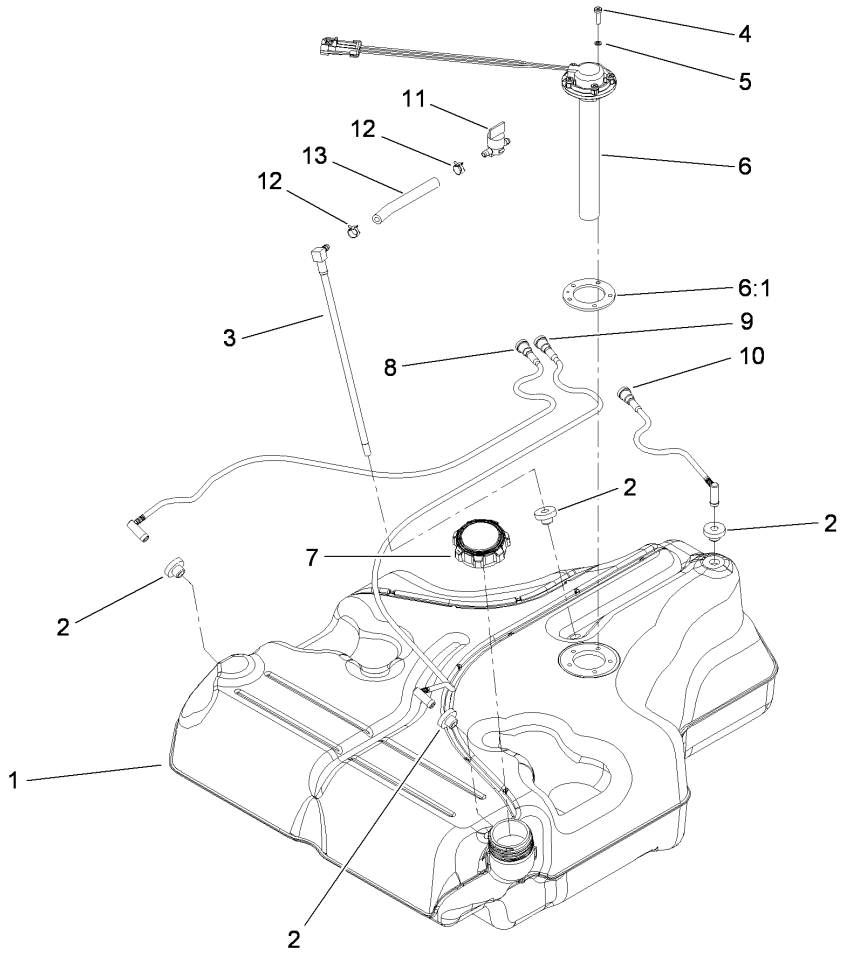
Ref	Part No.	Qty.	Description
1	99-5107	1	Nut-Lock
2	117-0380	1	Spacer
3	115-3580	1	Arm-Brake, LH
4	117-0376	1	Spring-Torsion, RH
5	115-3574	1	Plate-Latch
6	104-7201	1	Nut-HF
7	116-1876-03	1	Brake Handle ASM
8	114-1207	1	Washer-Special
9	114-8187	1	Spring-Compression
10	115-3581	1	Rod-Release, Brake
11	115-3592	1	Grip
12	112-8387	1	Bolt-Shoulder
13	117-0375	1	Spring-Torsion, LH
14	115-3579	1	Arm-Brake, RH
15	117-0379	1	Bolt-Shoulder
16	117-0378	1	Washer
17	115-2750	1	Knob

--	--	--	--



Fuel System Assembly

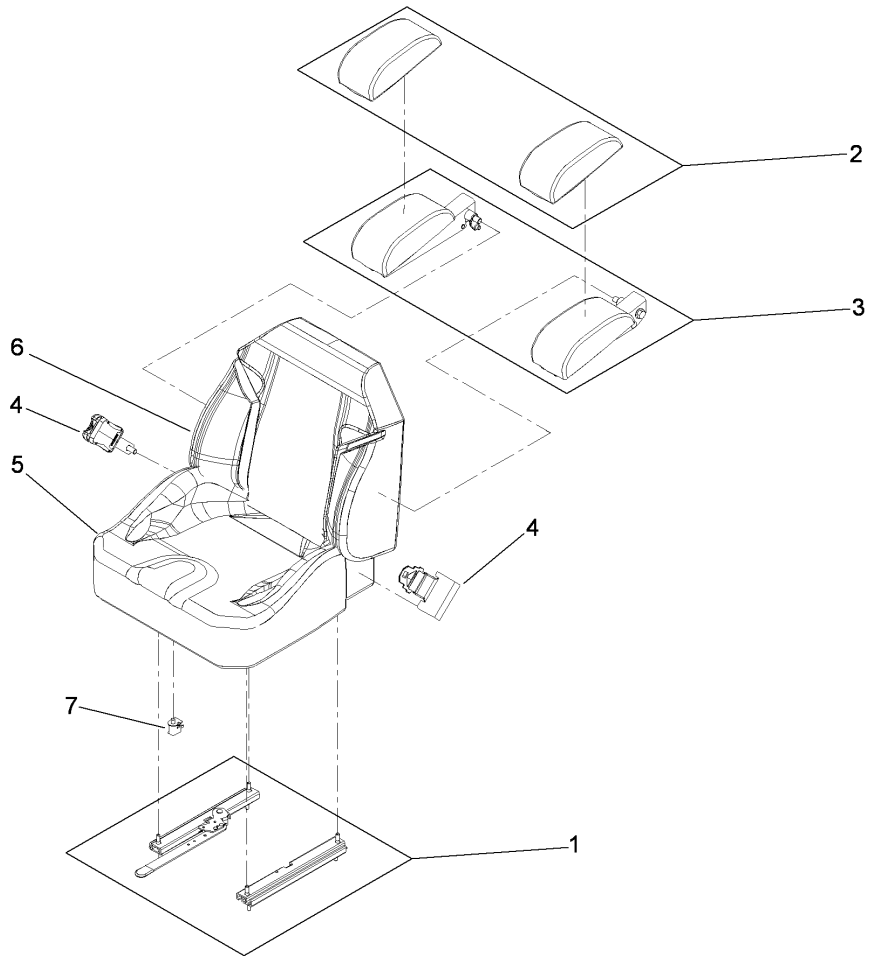
Ref	Part No.	Qty.	Description				
1	109-9656	1	Fuel Tank ASM (W/O Sender)				
1	109-9357	1	Fuel Tank ASM				
6	32128-33	2	Nut-HF				
11	109-2365	2	Bumper-Rubber (W/Stud)				
23	109-9450	1	Tube-Vent, Fuel Drain				
24	109-9491	1	Fuel Manifold Vent ASM				
25	105-1853	1	Clamp-Hose				



Fuel Tank Assembly No. 109-9357

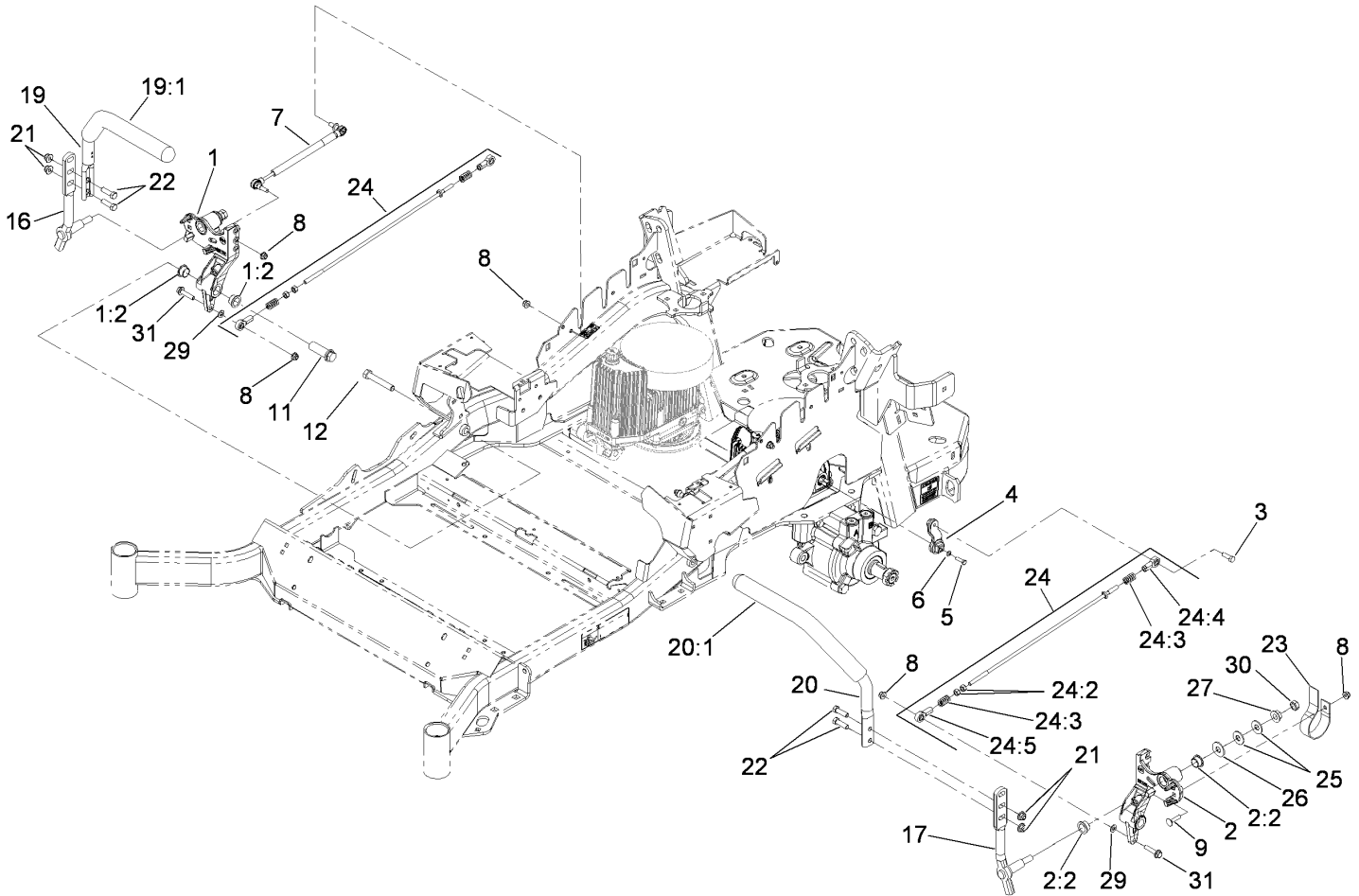
Ref	Part No.	Qty.	Description
② 1		1	Tank-Fuel, Belly
2	46-6560	4	Bushing
3	109-9364	1	Fitting-Fuel (W/Line And Screen)
4	9107944	5	Screw-Pan
5	3253-17	5	Washer-Lock
6	116-0003	1	Sender-Fuel Level
6:1	109-9620	1	Gasket-Sender, Fuel
7	109-9619	1	Cap-Fuel
8	109-9447	1	Tube-Vent, RH
9	109-9448	1	Tube-Vent, LH
10	109-9449	1	Tube-Vent, Rear
11	1-603770	1	Valve-Fuel
12	2412-98	2	Clamp
13	109-0650	1	Hose-Fuel

--	--	--	--



Seat Assembly No. 116-0035

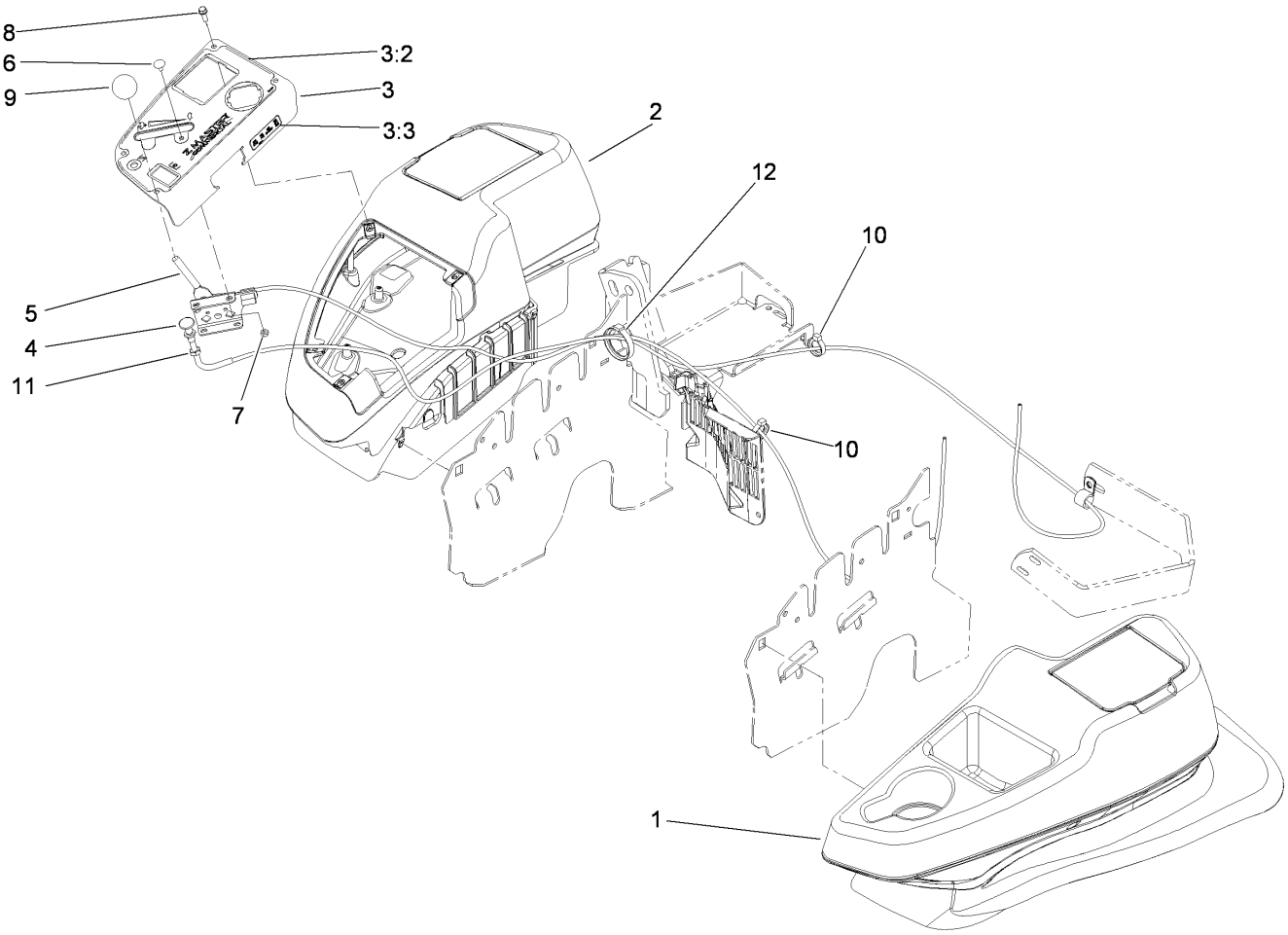
Ref	Part No.	Qty.	Description
1	109-9801	1	Seat Track Set
2	109-9802	1	Arm Rest Pad Set
3	109-9803	1	Arm Rest Set
4	109-9805	1	Seat Belt Kit
5	109-9806	1	Cover-Cushion
6	109-9808	1	Cover-Back
7	82-2190	1	Switch-Bail



Motion Control Assembly

Ref	Part No.	Qty.	Description
1	116-0880	1	RH Motion Control And Bushing ASM
1:2	109-8054	4	Bushing-Flange
2	116-0881	1	LH Motion Control And Bushing ASM
2:2	109-8054	4	Bushing-Flange
3	116-0648	2	Screw-Thread Locking
4	109-4581	2	Arm-Control, Pump
5	9080046	2	Screw-HH
6	1-303435	2	Washer-Spring
7	116-0027	2	Damper-Control, Motion
8	104-8300	8	Nut-Flange, NI
9	3230-2	2	Bolt-CARR
11	109-5891	2	Hub-Threaded
12	325-12	2	Screw-HH
16	116-0039	1	Lever-Control Motion, RH
17	116-0040	1	Lever-Control Motion, LH
19	109-6591	1	RH Steering Handle ASM
19:1	106-9987	1	Grip-Control, Motion
20	109-6592	1	LH Steering Handle ASM
20:1	106-9987	1	Grip-Control, Motion
21	104-8301	4	Nut-Flange, NI
22	323-7	4	Screw-HH
23	109-5575	2	Spring-Leaf

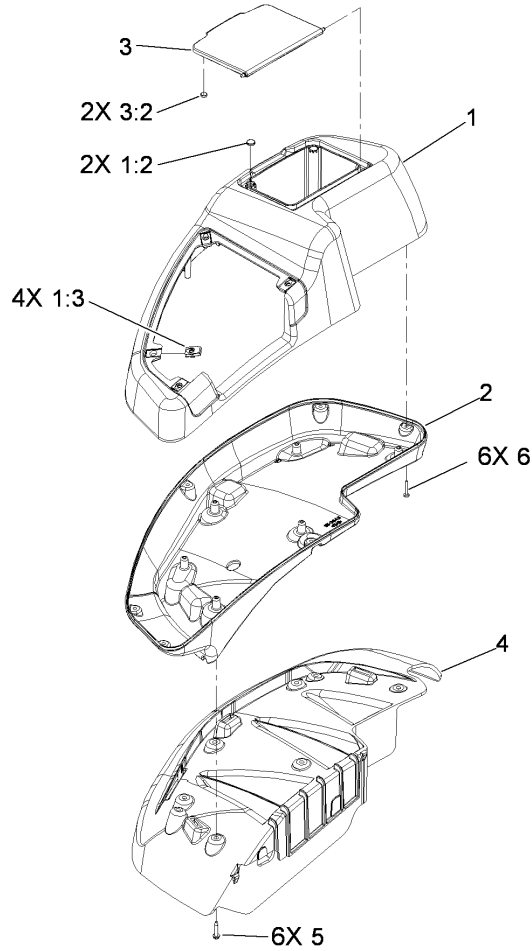
Ref	Part No.	Qty.	Description
24	109-8106	2	Front Pump Linkage ASM
24:2	3219-2	2	Nut-Hex
24:3	1-323245	2	Spring-Compression
24:4	1-633152	1	Balljoint-LH
24:5	1-543017	1	Balljoint-RH
25	109-9505	4	Washer-Spring
26	3256-6	2	Washer-Flat
27	32128-56	2	Nut-HF
29	3256-23	2	Washer-Flat
30	3218-5	2	Nut-Jam
31	115-1794	2	Screw-HHF



Fender, Console and Control Assembly

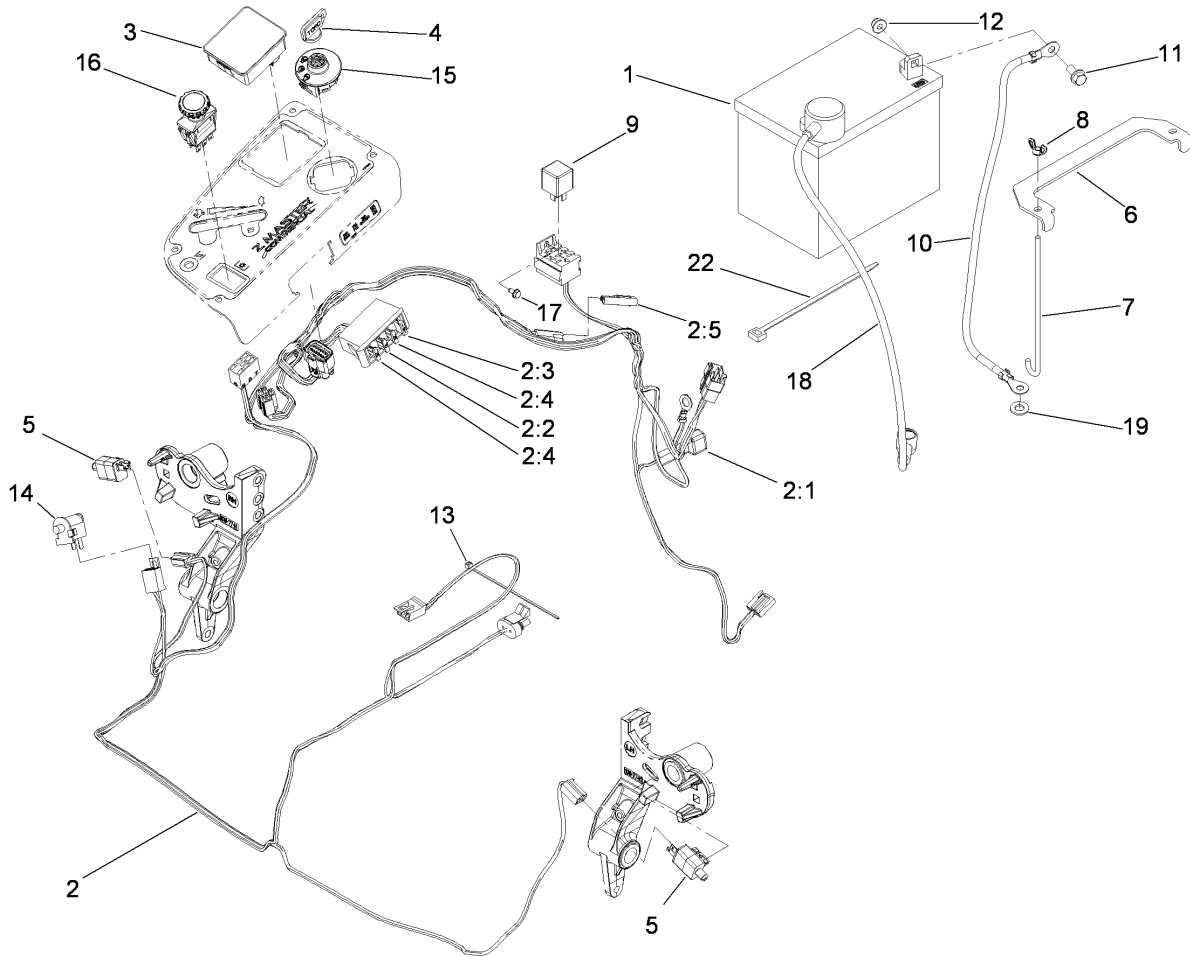
Ref	Part No.	Qty.	Description
1	115-7401	1	LH Wide Fender/Console ASM
2	115-7400	1	RH Wide Fender/Console ASM
3	114-9836	1	Control Panel ASM
3:2	114-9834	1	Decal-Panel, Control
3:3	114-4466	1	Decal-Fuses
4	115-2754	1	Control-Choke ASM
5	115-2751	1	Control-Throttle ASM
6	1-807513	2	Bolt-CARR
7	3296-2	2	Nut-Lock, NI
8	32105-15	4	Screw
9	1-603175	1	Knob-Ball
10	105-1853	2	Clamp-Hose
11	3220-3	1	Nut-HJ
12	117-7817	1	Clamp-Harness

--	--	--	--



RH Console Assembly No. 115-7400

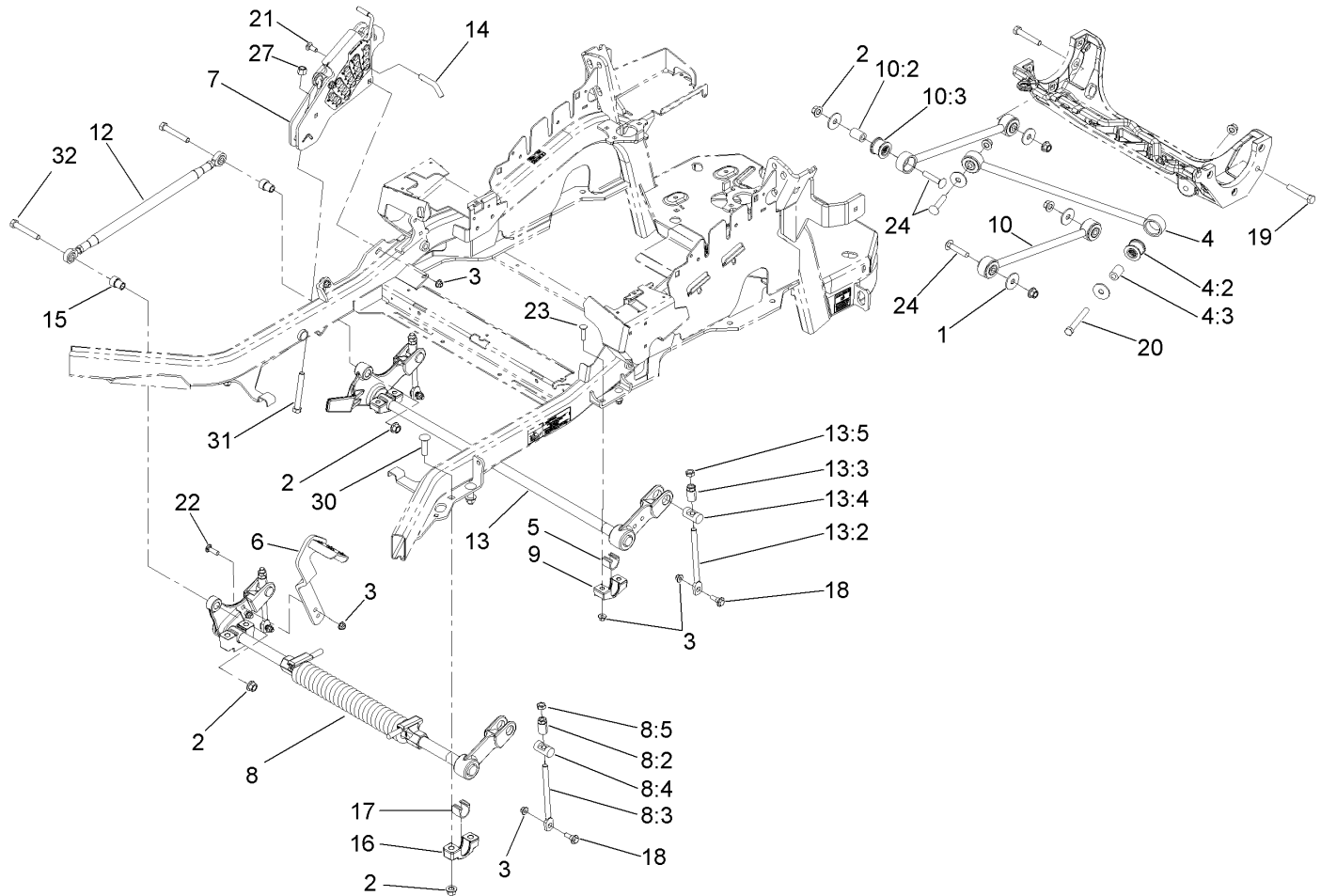
Ref	Part No.	Qty.	Description	
1	114-1538	1	RH Wide Top Console ASM	
1:2	117-0883	2	Puck	
1:3	107069	4	Clip	
2	115-3643	1	Console-Lwr, RH Wide	
3	114-1537	1	Wide Lid ASM	
3:2	114-5896	2	Magnet	
4	109-9083	1	Fender-Wide, RH	
5	32144-89	6	Screw-Thread Forming	
6	117-0347	6	Screw-Fillister Head	



Electrical System Assembly

Ref	Part No.	Qty.	Description
1	104-2492	1	Battery
2	115-2796	1	Harness-Wire, Main
2:1	103-3895	1	Diode-Tvs
2:2	218-578	1	Fuse-10 Amp
2:3	109355	1	Fuse-15 Amp
2:4	109102	2	Fuse-25 Amp
2:5	116-0053	1	Cap-Plug
3	116-0916	1	Module-Meter, Hour
4	63-8360	1	Key-Ignition
5	110-6765	2	Switch-Single Pole No
6	116-0042-03	1	Strap-Tie Down, Battery
7	1-633651	2	Bolt-Holddown
8	1-543792	2	Wingnut
9	1-643275	1	Relay
10	114-1218	1	Cable-Battery, Negative
11	3234-5	2	Screw-HHF
12	104-8300	2	Nut-Flange, NI
13	1-303287	3	Tie-Plastic
14	82-2190	1	Switch-Bail
15	116-0229	1	Switch-Ignition
16	116-0124	1	Switch-PTO, 10A
17	104-2065	1	Screw-HWH
18	115-3864	1	Cable-Battery, Positive
19	3256-24	1	Washer-Flat

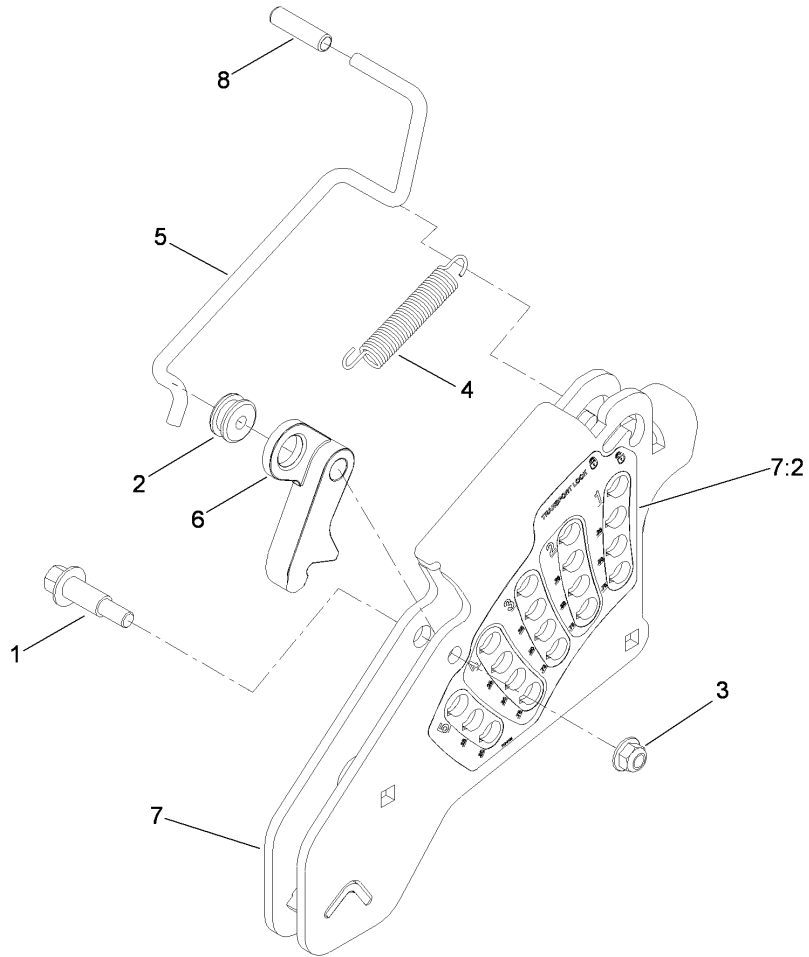
Ref	Part No.	Qty.	Description
22	1-303335	1	Tie-Plastic



Deck Lift Assembly

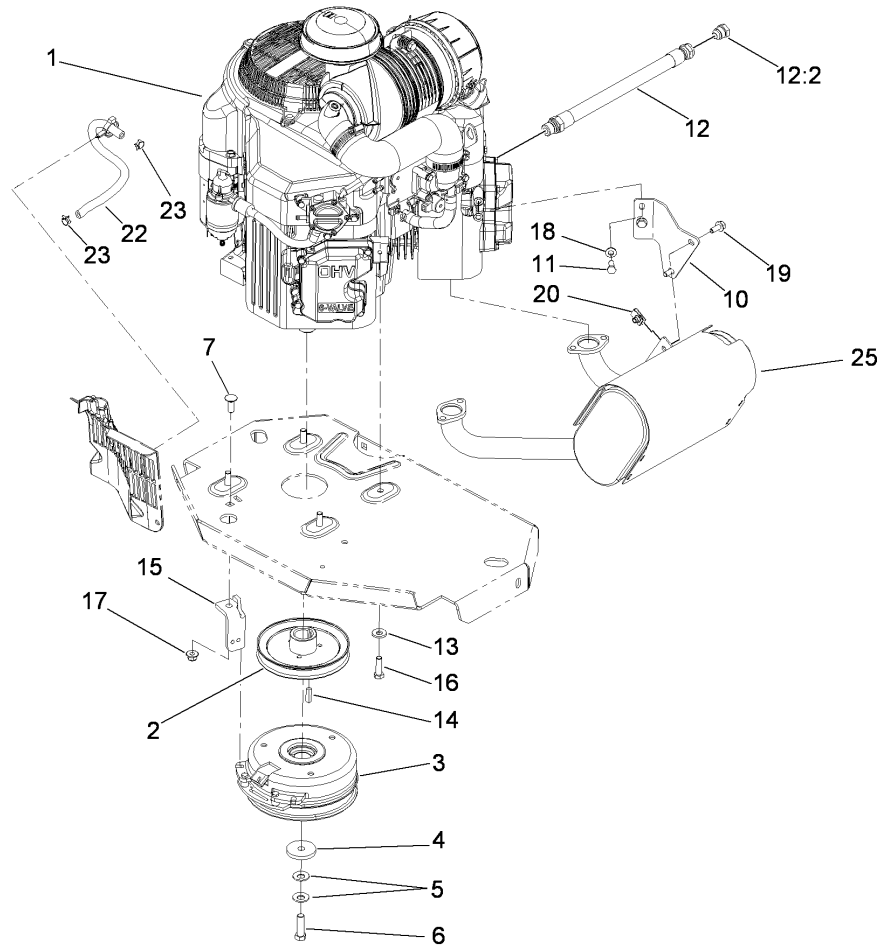
Ref	Part No.	Qty.	Description
1	86-1990	6	Washer
2	99-5107	12	Nut-Lock
3	104-8301	12	Nut-Flange, NI
4	109-5013	1	Panhard Rod ASM
4:2	109-5009	2	Bushing-Suspension, Rubber
4:3	109-5010	2	Spacer
5	109-7173	2	Bearing-Cross, Rear Shaft
6	109-8737-01	1	Pedal-Foot
7	109-7438	1	HOC ASM
8	116-1651	1	Front Cross Shaft ASM
8:2	109-7840	2	Adjuster-Lift, Deck
8:3	109-8007	2	Link-Adjuster, Deck Lift
8:4	109-8353	2	Trunnion
8:5	3218-5	2	Nut-Jam
9	116-0818-03	2	Support-Bearing, Cross Shaft Rear
10	109-7952	2	Deck Strut ASM
10:2	109-5009	2	Bushing-Suspension, Rubber
10:3	109-5010	2	Spacer
12	116-0806	1	Side Link ASM
13	116-1619	1	Rear Cross Shaft ASM
13:2	109-8007	2	Link-Adjuster, Deck Lift
13:3	109-7840	2	Adjuster-Lift, Deck
13:4	109-8353	2	Trunnion

Ref	Part No.	Qty.	Description
13:5	3218-5	2	Nut-Jam
14	109-8757	1	Pin-HOC
15	116-0795	2	Bushing-Flange
16	109-9409	2	Support-Cross Shaft, Bearing Front
17	109-9410	2	Bearing-Shaft Front, Cross
18	109-9840	4	Screw-Shoulder, HHF
19	325-12	2	Screw-HH
20	325-17	1	Screw-HH
21	3231-2	2	Screw-CARR
22	3231-4	2	Screw-CARR
23	3231-5	4	Screw-CARR
24	3233-34	3	Screw-CARR
27	3296-23	1	Nut-Lock, NI
30	3233-37	4	Screw-CARR, Short Neck
31	116-0559	1	Bolt-TAP
32	325-13	2	Screw-HH



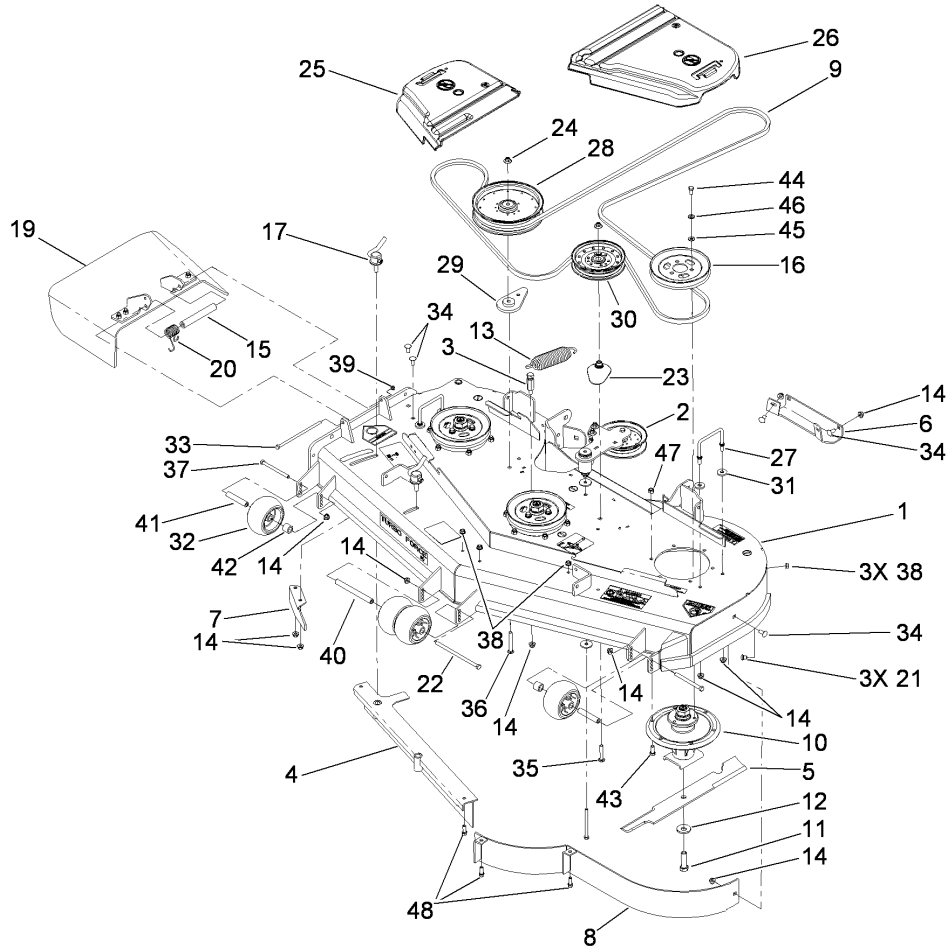
Height-of-Cut Assembly No. 109-7438

Ref	Part No.	Qty.	Description
1	62-1330	1	Bolt-Shoulder
2	109-7130	1	Grommet
3	104-8301	1	Nut-Flange, NI
4	109-7124	1	Spring-Extension
5	109-7128	1	Rod-Lock, Transport
6	116-0118	1	Pawl-Transport, HOC
7	109-7335	1	HOC Plate ASM
7:2	116-0752	1	Decal-HOC
8	109-8250	1	Grip-Lever



Engine, Muffler and Clutch Assembly

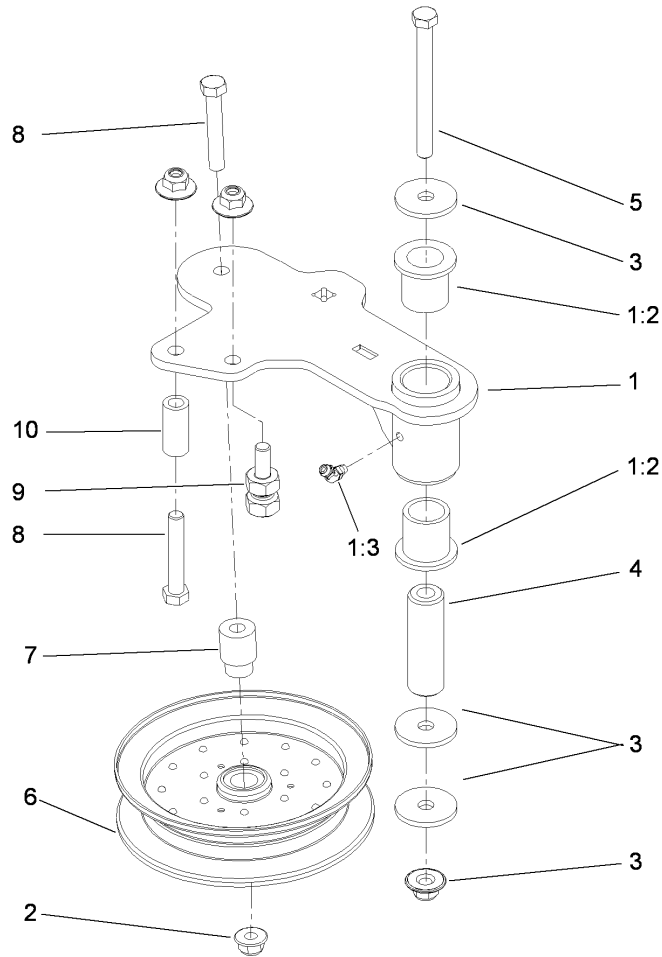
Ref	Part No.	Qty.	Description				
② ③ 1		1	Engine-Kawasaki, Fx921V-As04				
2	109-9905	1	Sheave				
3	116-1621	1	Clutch Kit				
4	109-6919	1	Washer-Clutch				
5	1-603610	2	Washer-Spring				
6	109-9761	1	Screw-HH W/Loctite				
7	3231-22	1	Screw-CARR				
10	116-1587	1	Bracket-Muffler				
11	33114-020	2	Screw-HH				
12	109-4490	1	Oil Drain Hose ASM				
12:2	109-1012	1	Plug				
13	98-5975	4	Washer-Belleville				
14	1-807259	1	Key				
15	109-8138-01	1	Anchor-Clutch				
16	323-7	4	Screw-HH				
17	104-8301	1	Nut-Flange, NI				
18	1-303334	2	Washer-Spring				
19	3234-5	2	Screw-HHF				
20	94-2413	2	U-Nut				
22	109-0296	1	Hose-Fuel				
23	2412-98	2	Clamp				
25	116-1707	1	Muffler-Big Block, Kawasaki				



Deck Assembly

Ref	Part No.	Qty.	Description
1	112-4180	1	Deck Decal ASM
2	114-5875	1	Idler Arm ASM
3	114-5867	1	Anchor-Spring, Tall
4	105-7669-01	1	Baffle ASM
5	105-7718-03	3	Blade-Hi Flow
6	105-8792-01	1	Plate-Skid
7	106-3216-01	1	Baffle-Discharge
8	114-5842-01	1	Baffle ASM
9	114-5858	1	Belt-V
10	117-3840	3	Spindle ASM
11	51-4060	3	Screw-Blade
12	103-0865	3	Washer-Blade Bolt, Heavy
13	116-0133	1	Extension-Spring
14	104-8301	15	Nut-Flange, NI
15	105-4622	1	Spacer
16	105-7734	3	Pulley
17	107-1664	2	Lever ASM
19	108-2792	1	Rubber Deflector ASM
20	108-4052	1	Spring-Torsion
21	108-5387	3	Screw-CARR
22	108-5388	1	Screw-HH
23	109-2872	1	Spacer-Pulley
24	109-6658	2	Nut-Flange, NI (Split)
25	116-0094	1	Cover-Belt, RH

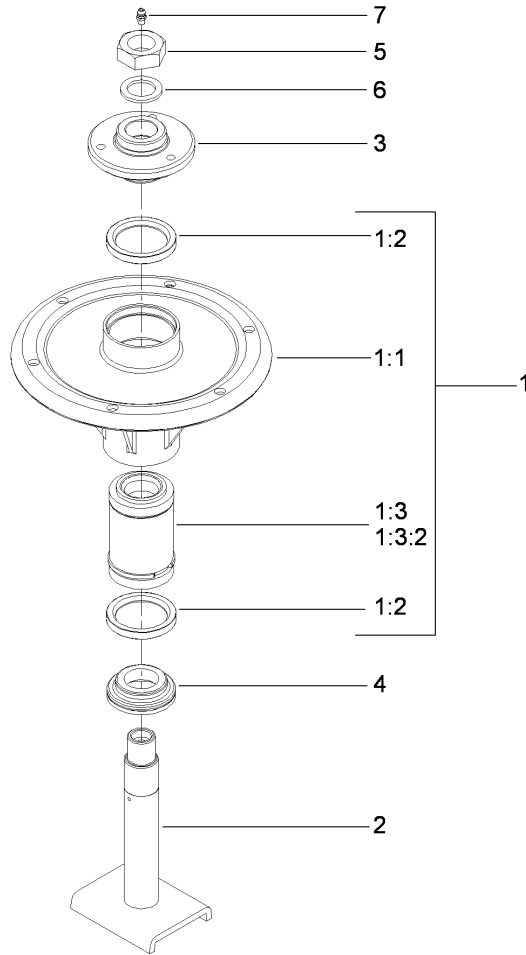
Ref	Part No.	Qty.	Description
26	109-6938	1	Cover-Belt, LH
27	109-6982	2	Wireform-Cover
28	109-8590	1	Pulley-Idler
29	109-9416	1	Spacer-Idler
30	114-5895	1	Pulley-Idler, Flat
31	1-373034	4	Washer
32	1-603299	4	Roller-Scalp, Anti
33	322-50	1	Screw-HH
34	3231-27	7	Screw-CARR
35	3231-40	1	Bolt-CARR
36	3231-42	1	Screw-CARR
37	323-23	2	Screw-HH
38	3290-357	6	Nut-HHF, Whiz
39	3296-47	1	Nut-Lock, NI
40	98-5967	1	Spacer-Wheel
41	98-7912	2	Tube-Spanner
42	98-7913	2	Tube-Spacer
43	33115-025	18	Screw-HH
44	323-4	9	Screw-HH
45	3256-24	9	Washer-Flat
46	3290-455	9	Washer-Belleville
47	33025-00	18	Nut-Lock
48	92-1624	3	Screw-HWH



Idler Assembly

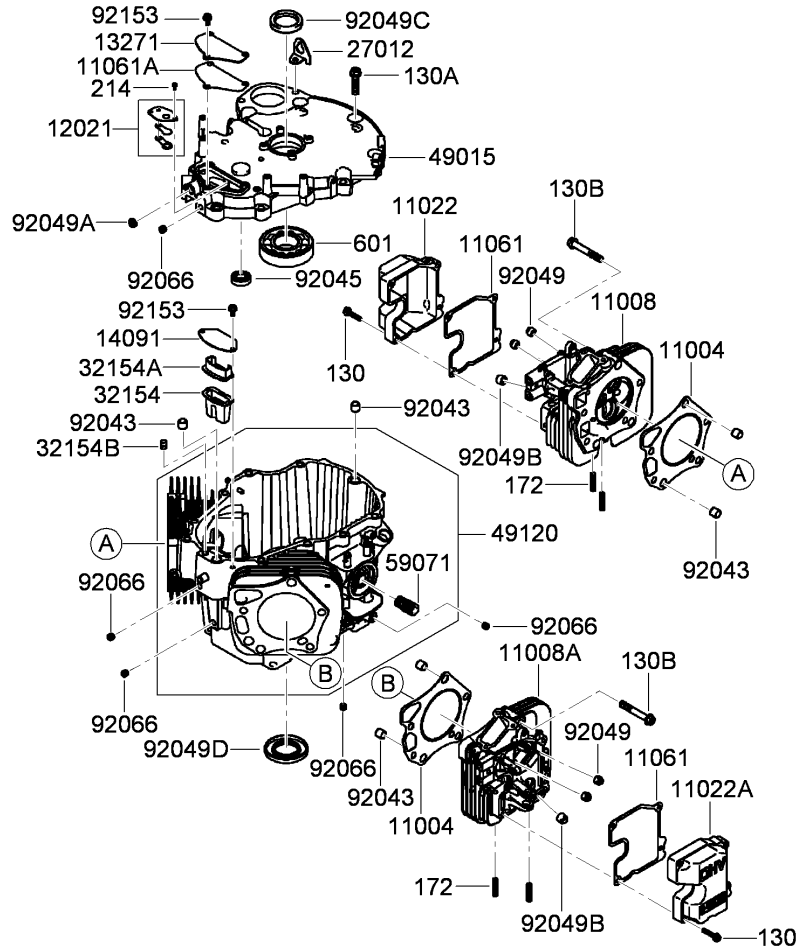
Ref	Part No.	Qty.	Description
1	114-5870	1	Idler Arm ASM
1:2	1-303514	2	Bearing-Flanged
1:3	1481	1	Fitting-Grease
2	109-6658	4	Nut-Flange, NI (Split)
3	1-213069	3	Washer
4	114-5848	1	Spacer-Plain
5	98-5961	1	Screw-HH
6	103-8743	1	Pulley-Idler, Flanged
7	112-4212	1	Mount-Pulley
8	323-11	2	Screw-HH
9	114-5866	1	Anchor-Spring, Short
10	104-0151	1	Spacer

--	--	--	--



Spindle Assembly No. 117-3840

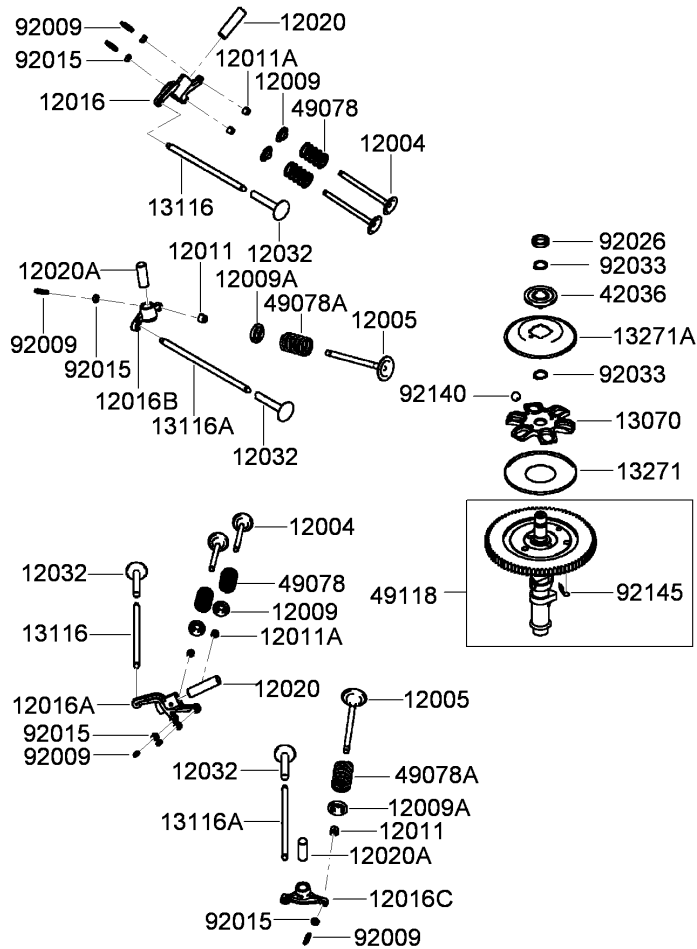
Ref	Part No.	Qty.	Description
② 1		1	Spindle Bearing ASM
② 1:1		1	Housing-Spindle
1:2	253-154	2	Seal-Oil
1:3	71-2530	1	Bearing/Spacer Kit
② 1:3:2		1	Spacer-Bearing
2	117-3841	1	Spindle Shaft ASM
3	114-1161	1	Hub-Spline
4	69-6950	1	Spacer-Shaft, Spindle
5	3296-49	1	Nut-Lock, NI
6	3-8514	1	Washer-Thrust
7	302-57	1	Fitting-Grease



Cylinder and Crankcase Assembly Kawasaki FX921V-AS04

Ref	Part No.	Qty.	Description
③130	130AA0630	8	Bolt-Flanged (6X30)
③130A	130CA1040	11	Bolt-Flanged (10X40)
③130B	130CA1065	10	Bolt-Flanged (10X65)
③172	172BA0818	4	Bolt-Stud (8X18)
③214	214AA0408	2	Screw-Pan +- (4X8)
③601	601A6308	1	Bearing-Ball
③11004	11004-7023	2	Gasket-Head
③11008	11008-7043	1	Head ASM (Cylinder No.1)
③11008A	11008-7044	1	Head ASM (Cylinder No.2)
③11022	11022-7012	1	Case-Rocker, No.1
③11022A	11022-7013	1	Case-Rocker, No.2
③11061	11061-7055	2	Gasket-Case, Rocker
③11061A	11061-7065	1	Gasket-Cover, Breather
③12021	12021-7003	1	Breather Reed Valve ASM
③13271	13271-7037	1	Plate-Cover, Breather
③14091	14091-7052	1	Cover-Breather
③27012	27012-7004	1	Hook
③32154	32154-7014	1	Pipe-Breather
③32154A	32154-7015	1	Pipe-Breather
③32154B	32154-7019	1	Pipe
③49015	49015-7060	1	Cover-Crankcase
③49120	49120-6174	1	Crankcase
③59071	59071-2079	1	Joint
③92043	92043-1266	6	Pin

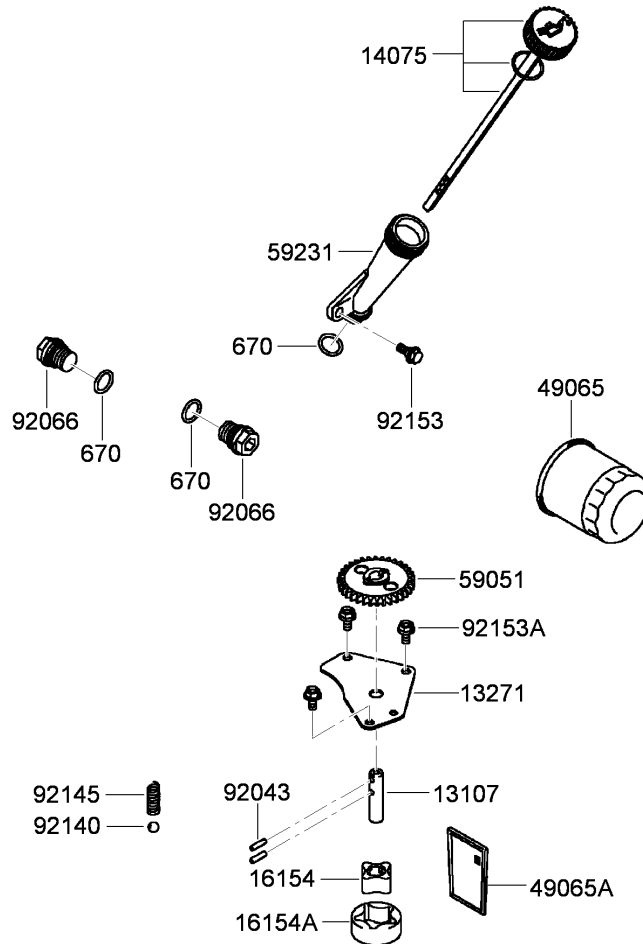
Ref	Part No.	Qty.	Description
③92045	92045-7002	1	Bearing-Ball, A (15X32X9 6002)
③92049	92049-7001	4	Seal-Oil, R V C2 (6X11X10.2)
③92049A	92049-7005	1	Seal-Oil, S O (8X14X5 H S)
③92049B	92049-7020	2	Seal-Oil (7X15X13)
③92049C	92049-7024	1	Seal-Oil, S D (40X54X9 R Hs)
③92049D	92049-7025	1	Seal-Oil, S D (40X72X8 L Vs)
③92066	92066-7026	5	Plug
③92153	92153-7043	5	Bolt (6X12)



Valve and Camshaft Assembly Kawasaki FX921V-AS04

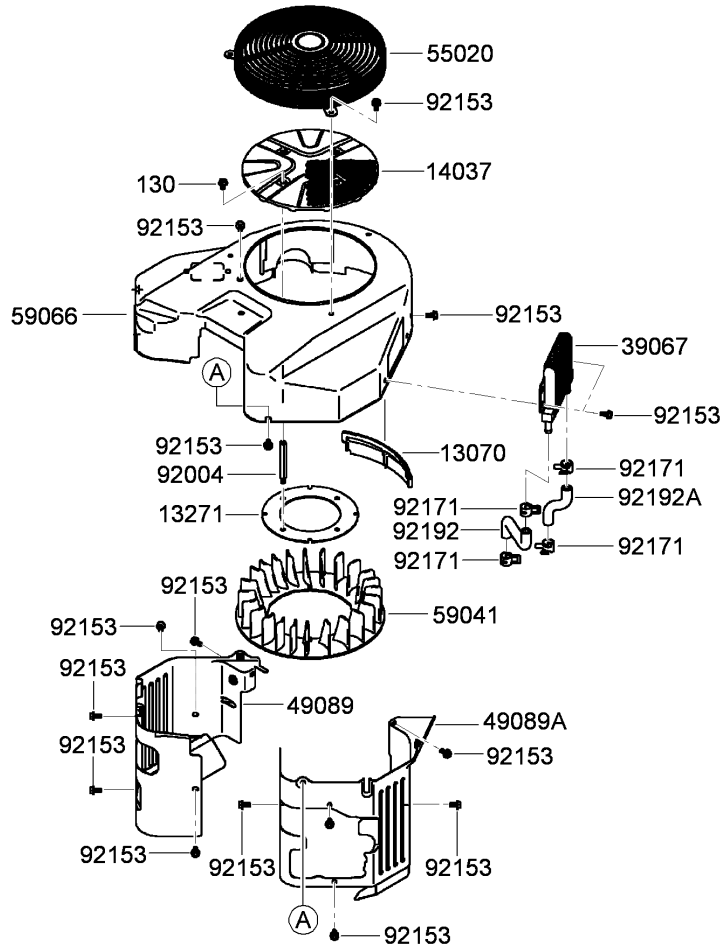
Ref	Part No.	Qty.	Description
③ 12004	12004-7006	4	Valve-Intake
③ 12005	12005-7007	2	Valve-Exhaust
③ 12009	12009-7001	4	Retainer-Spring, Valve
③ 12009A	12009-7002	2	Retainer-Spring, Valve
③ 12011	12011-2052	4	Collet
③ 12011A	12011-2056	8	Collet
③ 12016	12016-7014	1	Arm-Rocker (No.1 Intake)
③ 12016A	12016-7015	1	Arm-Rocker (No.2 Intake)
③ 12016B	12016-7018	1	Arm-Rocker (No.1 Exhaust)
③ 12016C	12016-7019	1	Arm-Rocker (No.2 Exhaust)
③ 12020	12020-7001	2	Shaft-Rocker (Intake)
③ 12020A	12020-7003	2	Shaft-Rocker (Exhaust)
③ 12032	12032-7002	4	Tappet
③ 13070	13070-7004	1	Guide
③ 13116	13116-2054	2	Rod-Push
③ 13116A	13116-7005	2	Rod-Push
③ 13271	13271-7007	1	Plate
③ 13271A	13271-7021	1	Plate-Governor
③ 42036	42036-7010	1	Sleeve
③ 49078	49078-7002	4	Spring-Valve, Engine (Intake)
③ 49078A	49078-7004	2	Spring-Valve, Engine (Exhaust)
③ 49118	49118-7018	1	Camshaft ASM
③ 92009	92009-1109	6	Screw
③ 92015	92015-1137	6	Nut

Ref	Part No.	Qty.	Description
③ 92026	92026-7019	1	Spacer
③ 92033	92033-7001	2	Ring-Snap
③ 92140	92140-7005	6	Ball
③ 92145	92145-7001	1	Spring



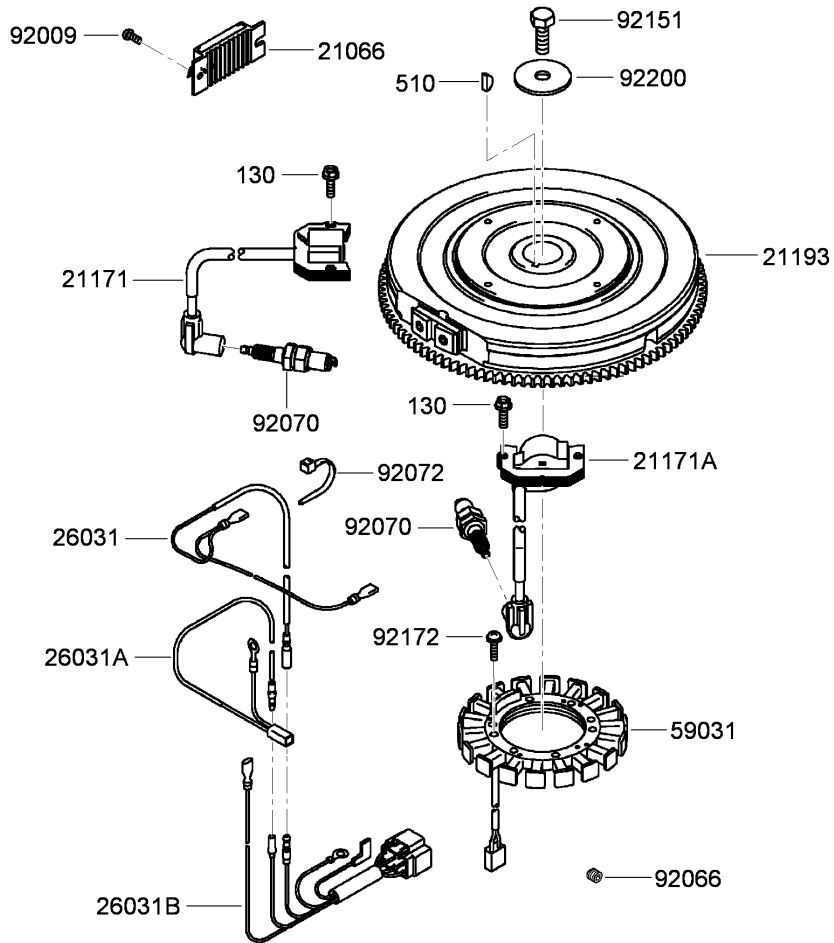
Lubrication Equipment Assembly Kawasaki FX921V-AS04

Ref	Part No.	Qty.	Description
③670	670D2016	3	O-Ring (16Mm)
③13107	13107-7009	1	Shaft
③13271	13271-7034	1	Plate-Rotor, Pump
③14075	14075-7011	1	Cap ASM
③16154	16154-7007	1	Rotor-Pump (In)
③16154A	16154-7008	1	Rotor-Pump (Out)
③49065	49065-2078	1	Filter-Oil
③49065A	49065-7004	1	Filter-Oil
③59051	59051-7026	1	Gear-Spur, Oil Pump
③59231	59231-7011	1	Filler
③92043	92043-7003	2	Pin
③92066	92066-7003	2	Plug
③92140	92140-7003	1	Ball
③92145	92145-7046	1	Spring
③92153	92153-7007	1	Bolt
③92153A	92153-7043	3	Bolt (6X12)



Cooling Equipment Assembly Kawasaki FX921V-AS04

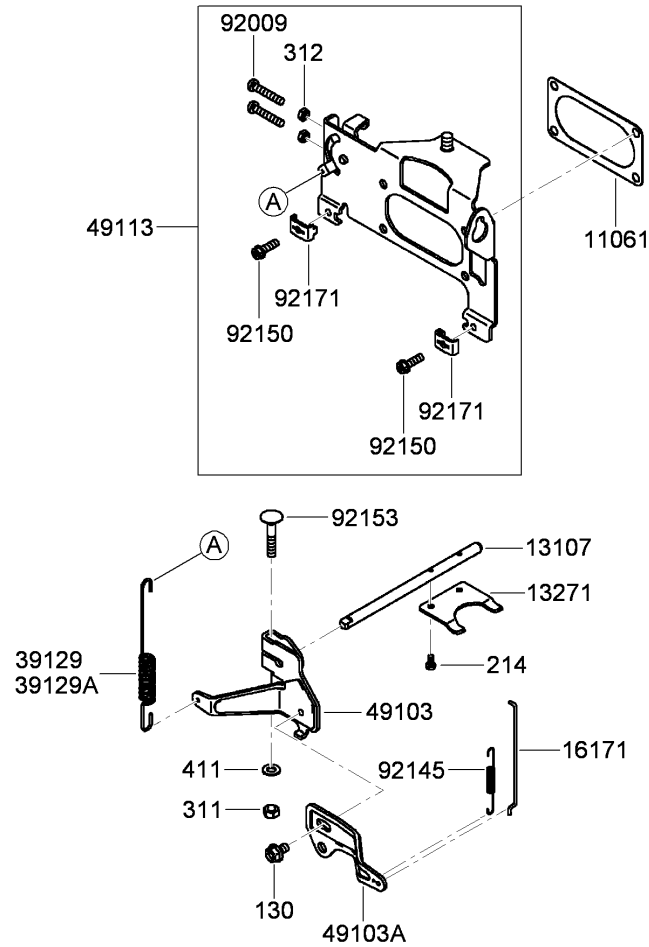
Ref	Part No.	Qty.	Description				
③ 130	130AA0610	4	Bolt-Flanged (6X10)				
③ 13070	13070-7013	1	Guide				
③ 13271	13271-7035	1	Plate-Fan				
③ 14037	14037-7029-9H	1	Screen				
③ 39067	39067-7007	1	Cooler-Oil				
③ 49089	49089-7062-753	1	Shroud-Engine				
③ 49089A	49089-7063-753	1	Shroud-Engine				
③ 55020	55020-7016-9H	1	Guard				
③ 59041	59041-7013	1	Fan				
③ 59066	59066-7043-753	1	Housing-Fan				
③ 92004	92004-7021	4	Stud-Screen				
③ 92153	92153-7043	18	Bolt (6X12)				
③ 92171	92171-7015	4	Clamp				
③ 92192	92192-7078	1	Tube				
③ 92192A	92192-7079	1	Tube				



Electric Equipment Assembly Kawasaki FX921V-AS04

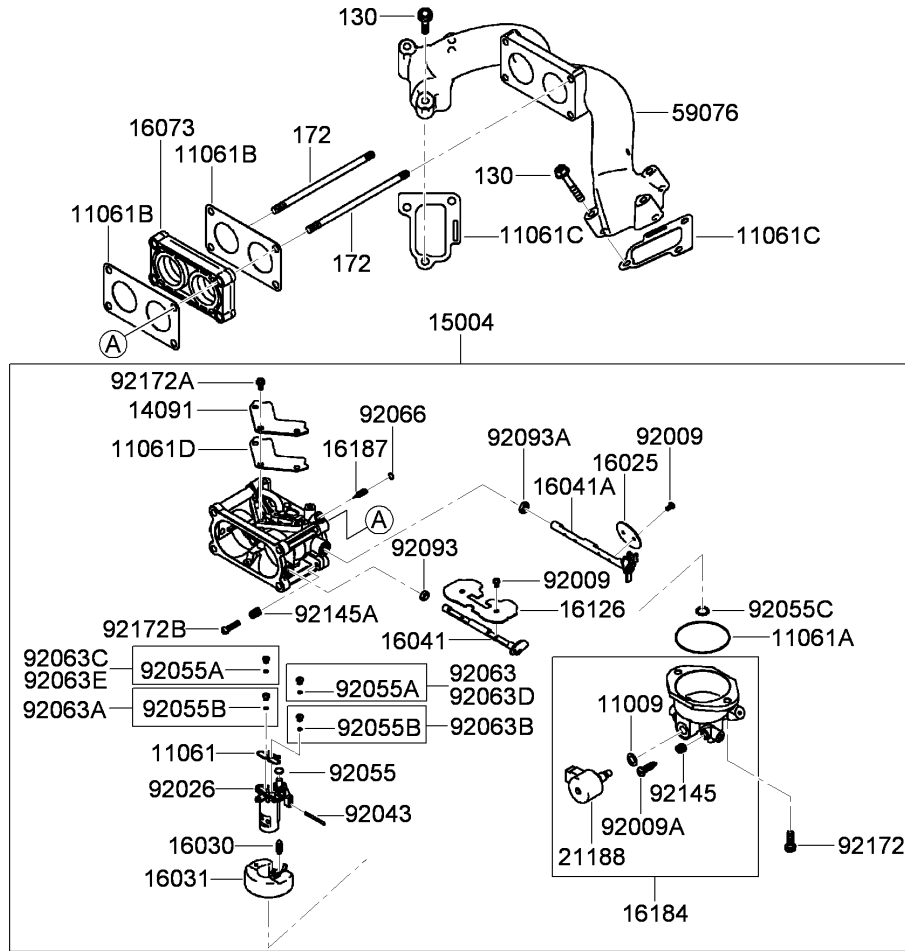
Ref	Part No.	Qty.	Description
③130	130AA0620	4	Bolt-Flanged (6X20)
③510	510A5100	1	Key-Woodruff
③21066	21066-7011	1	Regulator-Voltage
③21171	21171-7042	1	Ignition Coil ASM (No.1 Cylinder)
③21171A	21171-7043	1	Ignition Coil ASM (No.2 Cylinder)
③21193	21193-7034	1	Flywheel ASM
③26031	26031-7033	1	Harness
③26031A	26031-7034	1	Harness
③26031B	26031-7039	1	Harness
③59031	59031-7017	1	Coil-Charging
③92009	92009-2308	2	Screw
③92066	92066-7026	1	Plug
③92070	92070-2088	2	Spark Plug, B P R 5E S (N G K) Solid
③92072	92072-7003	3	Band
③92151	92151-2097	1	Bolt (12X30)
③92172	92172-7018	4	Screw (5X20)
③92200	92200-7040	1	Washer (12.2X46X3)

--	--	--	--



Control Equipment Assembly Kawasaki FX921V-AS04

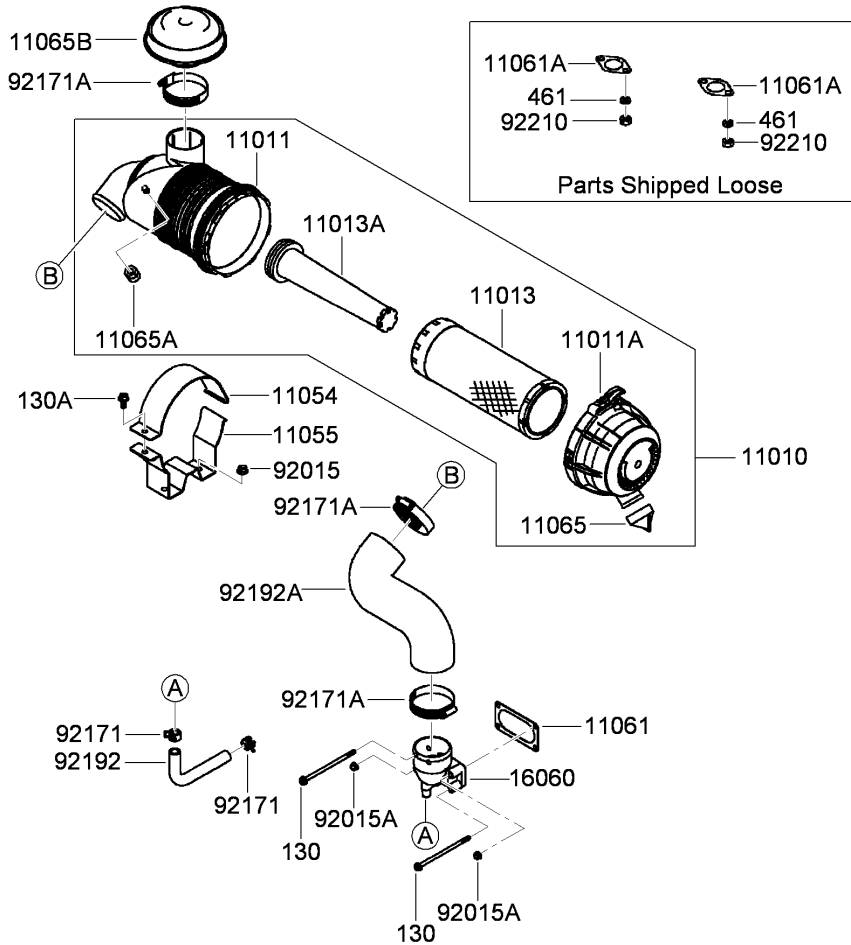
Ref	Part No.	Qty.	Description				
③130	130BA0610	1	Bolt-Flanged (6X10)				
③214	214AA0408	2	Screw-Pan +- (4X8)				
③311	311AA0600	1	Nut-Hex (6Mm)				
③312	312AA0500	2	Nut-Hex (5Mm)				
③411	411AA0600	1	Washer-Plain (6Mm)				
③11061	11061-7056	1	Gasket-Pipe, Intake				
③13107	13107-7040	1	Shaft				
③13271	13271-7038	1	Plate				
③16171	16171-7018	1	Link				
③39129	39129-7017	1	Spring-Governor (Part Can Be Used As Substitute On The Product And Is Supplied Until Stock Is Exhausted)				
③39129A	39129-7027	1	Spring-Governor				
③49103	49103-7009	1	Arm-Governor				
③49103A	49103-7010	1	Arm-Governor				
③49113	49113-7048	1	Control Panel ASM				
③92009	92009-2381	2	Screw (5X30)				
③92145	92145-7050	1	Spring				
③92150	92150-2182	2	Bolt (5X18)				
③92153	92153-7033	1	Bolt (6X35)				
③92171	92171-7018	2	Clamp				



Carburetor Assembly Kawasaki FX921V-AS04

Ref	Part No.	Qty.	Description
③130	130AA0635	6	Bolt-Flanged (6X35)
③172	172BA06120	2	Bolt-Stud (6X120)
③11009	11009-2056	1	Gasket
③11061	11061-7037	1	Gasket
③11061A	11061-7038	1	Gasket
③11061B	11061-7057	2	Gasket-Insulator
③11061C	11061-7062	2	Gasket-Manifold
③11061D	11061-7067	1	Gasket
③14091	14091-7059	1	Cover
③15004	15004-7009	1	Carburetor-ASM
③16025	16025-7012	2	Valve-Throttle
③16030	16030-7004	1	Valve-Float
③16031	16031-7003	1	Float
③16041	16041-7035	1	Shaft-Chock, Carburetor
③16041A	16041-7037	1	Shaft-Throttle, Carburetor
③16073	16073-7010	1	Insulator
③16126	16126-7019	1	Valve-Chock
③16184	16184-7021	1	Float Chamber ASM
③16187	16187-7005	2	Needle-Jet
③21188	21188-7003	1	Solenoid
③59076	59076-7012	1	Manifold-Intake
③92009	92009-7003	6	Screw
③92009A	92009-7006	1	Screw-Drain
③92026	92026-7022	1	Spacer

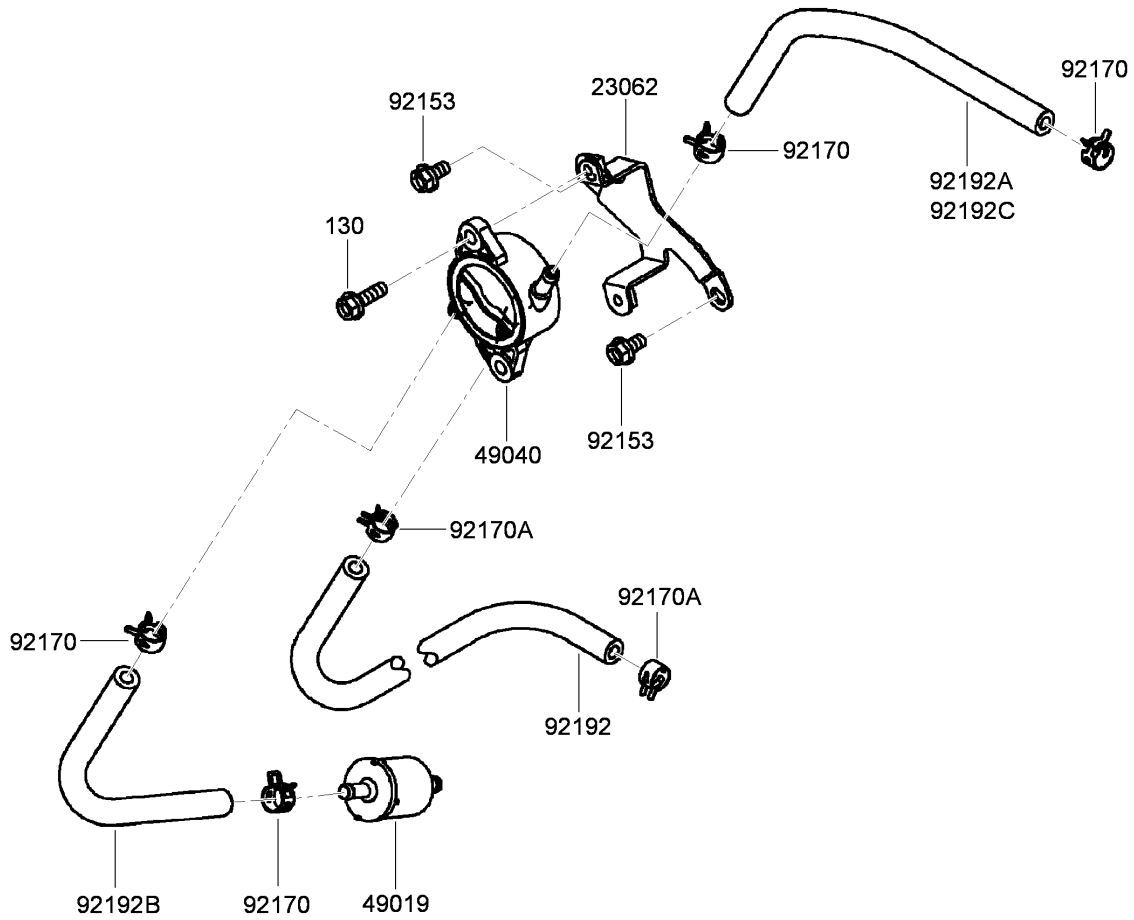
Ref	Part No.	Qty.	Description
③92043	92043-7014	1	Pin
③92055	92055-7012	1	O-Ring
③92055A	92055-7013	1	O-Ring
③92055B	92055-7013	2	O-Ring
③92055C	92055-7016	1	O-Ring
③92063	92063-7099	1	Jet-Main (No.134, 6560 Ft)
③92063A	92063-7099	1	Jet-Main (No.134, 6560 Ft)
③92063B	92063-7100	1	Jet-Main (No.140)
③92063C	92063-7101	1	Jet-Main (No.131, 3280 Ft)
③92063D	92063-7102	1	Jet-Main (No.137, 3280 Ft)
③92063E	92063-7103	1	Jet-Main (No.128, 6560 Ft)
③92066	92066-7009	2	Plug-Extension
③92093	92093-7001	1	Seal (I D 5.9)
③92093A	92093-7002	1	Seal (I D 6.9)
③92145	92145-7011	1	Spring
③92145A	92145-7039	1	Spring
③92172	92172-7005	2	Screw
③92172A	92172-7006	3	Screw
③92172B	92172-7031	1	Screw-Adjust, Throttle



Air Filter and Muffler Assembly Kawasaki FX921V-AS04

Ref	Part No.	Qty.	Description
③ 130	130AA06120	2	Bolt-Flanged (6X120)
③ 130A	130AA0816	1	Bolt-Flanged (8X16)
③ 461	461DA0800	4	Washer-Spring (8Mm)
③ 11010	11010-7020	1	Air Filter ASM
③ 11011	11011-7047	1	Case-Filter, Air
③ 11011A	11011-7050	1	Case-Filter, Air
③ 11013	11013-7038	1	Element-Filter, Air
③ 11013A	11013-7039	1	Element-Filter, Air
③ 11054	11054-7013-9X	1	Bracket
③ 11055	11055-7010-9H	1	Bracket
③ 11061	11061-7056	1	Gasket-Pipe, Intake
③ 11061A	11061-7061	2	Gasket-Muffler
③ 11065	11065-7008	1	Cap
③ 11065A	11065-7009	1	Cap
③ 11065B	11065-7017	1	Cap
③ 16060	16060-6006	1	Pipe-Intake
③ 92015	92015-1143	2	Nut
③ 92015A	92015-1367	2	Nut
③ 92171	92171-7013	2	Clamp
③ 92171A	92171-7023	3	Clamp-Filter, Air
③ 92192	92192-7075	1	Tube (12.6X18.6X183)
③ 92192A	92192-7096	1	Tube-Filter, Air

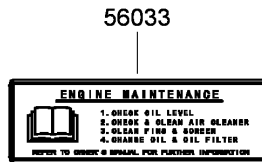
Ref	Part No.	Qty.	Description
③ 92210	92210-7027	4	Nut (M8)



Fuel Tank and Fuel Valve Assembly Kawasaki FX921V-AS04

Ref	Part No.	Qty.	Description
③ 130	130AA0620	2	Bolt-Flanged (6X20)
③ 23062	23062-7020	1	Bracket ASM
③ 49019	49019-7001	1	Filter-Fuel
③ 49040	49040-7009	1	Pump-Fuel
③ 92153	92153-7043	2	Bolt (6X12)
③ 92170	92170-2009	4	Clamp
③ 92170A	92170-2088	2	Clamp
③ 92192	92192-7077	1	Tube (6.4X12.7X318)
③ 92192A	92192-7140	1	Tube (6.35X12.7X220) (Part Can Be Used As Substitute On The Product And Is Supplied Until Stock Is Exhausted)
③ 92192B	92192-7145	1	Tube (6.35X12.7X185)
③ 92192C	92192-7160	1	Tube (6.35X12.7X230)

--	--	--	--



Label Set Kawasaki FX921V-AS04

Ref	Part No.	Qty.	Description				
⑤56014	56014-7002	1	Emblem				
⑤56033	56033-7001	1	Label-Manual				
⑤56070	56070-7001	1	Label-Warning				

Attachments and Accessories

For 74955CP - Z Master G3 Riding Mower, with 60in TURBO FORCE Side Discharge Mower

Product Name	Model/Part
Blade-Mid Flow, 20.5 Inch	105-7715-03
Blade-Lo Flow, 20.5 Inch	105-7716-03
Blade-Hi Flow, 20.5 Inch	105-7718-03
Blade-Recycler, 20.5 Inch	105-7777-03
Blade-Atomic, 20.5 Inch	105-8777-03
6 Pack Blade, 20.5 Inch Hi-Flow	108-1114
6 Pack-Blade, 20.5 Inch Atomic	108-1115
6 Pack Blade, 20.5 Inch Mid-Flow	108-1123
6 Pack-Blade, 20.5 Inch Lo Flow	108-1128
Hitch Kit	109-9487
6 Pack-Blade, 20.5 Inch Recycler	110-0405
HYPR-OIL 500 (Quart)	114-4713
HYPR-OIL 500 (Gallon)	114-4714
HYPR-OIL 500-5 (5 Gallon)	114-4715
Bimini Folding Shade Assembly	115-4510
Recycler Kit	115-7468
Light Kit	116-1154
Z Stand Kit	117-0350
Operator-Controlled Discharge Chute Kit	117-3600
Deluxe Suspension Seat Kit	117-6174
Blower and Drive Kit	78553
E-Z Vac Triple Bagging System	78563
E-Z Vac DFS Collection System	78567
Trash Holder Kit	TC26

