



Titan® Z4800 and Z5200 Zero-Turn-Radius Riding Mowers

Model No. 74816—Serial No. 28000001 and Up

Model No. 74818—Serial No. 28000001 and Up

Addendum

Important: This addendum replaces the “Servicing the Engine Oil” section found in the Maintenance chapter of the *Operator’s Manual*.

Servicing the Engine Oil

Oil Type: Detergent oil (API service SG, SH, SJ, or higher)

Crankcase Capacity: 1.7 qt (1.6 l) when the filter is changed

Viscosity: See the table below.

USE THESE SAE VISCOSITY OILS

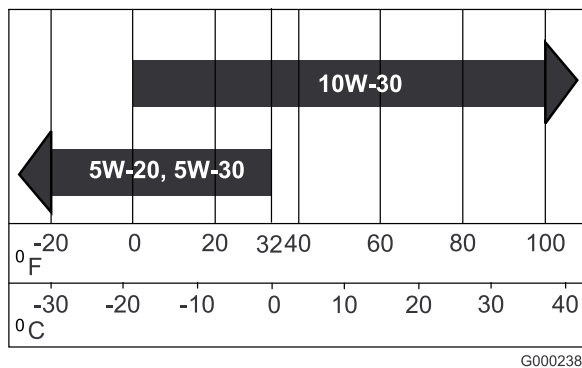


Figure 1

G000238

10W-30: 0 to 100 degrees F (-18 to 38 degrees C) is better for varying temperature conditions. This viscosity improves cold weather starting, but may increase oil consumption above 80 degrees F (27 degrees C).

5W-20, 5W-30: Use of synthetic oil having 5W-20 or 5W-30 rating is acceptable, up to 40 degrees F (4 degrees C). Synthetic oils will provide better starting in extreme cold below -10 degrees F (23 degrees C).

Note: Synthetic oils meeting the listed classifications may be used with oil changes performed at the recommended intervals. However to allow piston rings to properly seat, a new or rebuilt engine should be operated for at least 50 hours using standard petroleum based oil before switching to synthetic oil.

Checking the Oil Level

Service Interval: Before each use or daily

1. Park the machine on a level surface, disengage the blade control switch, stop the engine, engage parking brake, and remove the key.
2. Make sure the engine is stopped, level, and is cool so the oil has had time to drain into the sump.
3. To keep dirt, grass clippings, etc., out of the engine, clean the area around the oil fill cap/dipstick before removing it.
4. Pull and remove the oil fill cap/dipstick; wipe oil off. Reinsert the dipstick and push firmly into place (Figure 2).

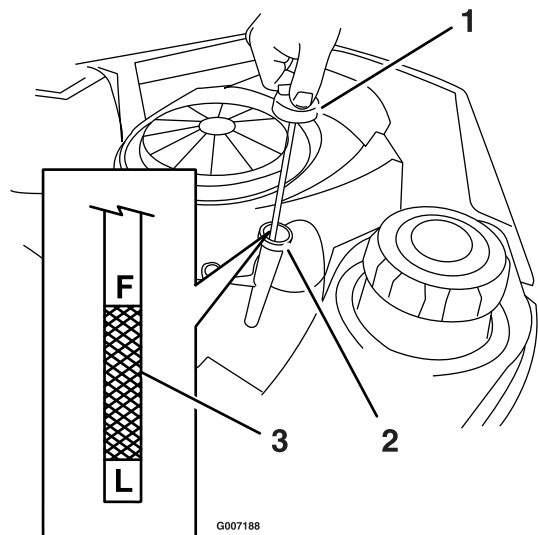


Figure 2

1. Oil dipstick
2. Filler tube
3. Oil level

5. Remove the dipstick and check the oil level.

The oil level should be up to, but not over, the “F” mark on the dipstick.

6. If the level is low, add oil of the proper type, up to the “F” mark on the dipstick. Always check the level with the dipstick before adding more oil.

Note: To prevent extensive engine wear or damage, always maintain the proper oil level in the crankcase.

Never operate the engine with the oil level below the “L” mark or over the “F” mark on the dipstick.

Changing the Oil and Filter

Service Interval: Every 100 hours/Yearly (whichever comes first) (more frequently under extremely dusty, dirty conditions).

Change the oil and filter while the engine is still warm. The oil will flow more freely and carry away more impurities. Make sure the engine is level when filling, checking, or changing the oil.

1. Start the engine and let it run until warm. This warms the oil so it drains better.
2. Park the machine so that the drain side is slightly lower than the opposite side to assure the oil drains completely.
3. Disengage the blade control switch and move the motion controls outward to the neutral position and engage parking brake.
4. Stop the engine, remove the key, and wait for all moving parts to stop before leaving the operating position.
5. Clean the area around the drain plug and on the machine frame. Place a pan underneath machine directly below the drain hole in the frame as shown in Figure 3

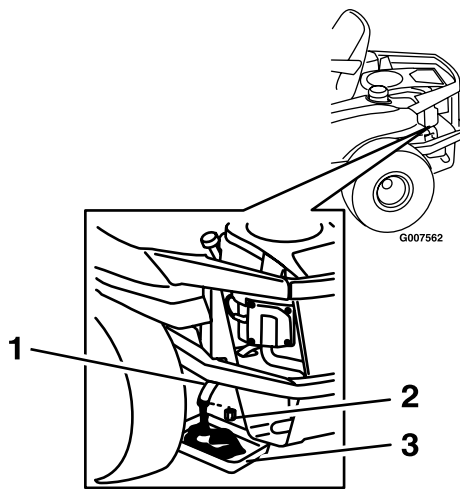


Figure 3

1. Oil drain hose
2. Oil drain plug
3. Pan

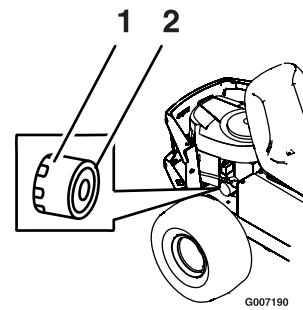


Figure 4

1. Oil filter
2. Gasket

7. Be sure to allow ample time for complete drainage.
8. Remove the old filter and wipe off the mounting pad (Figure 4).
9. When the oil has drained completely, install the oil drain plug. Tighten the plug to 14 N-m (125 in-lb) torque. Wipe up any excess oil on the frame (Figure 3).

Note: Dispose of the used oil at a recycling center.

10. Apply a thin film of clean oil to the rubber gasket on the new filter.
11. Install the replacement oil filter to the mounting pad. Turn the oil filter clockwise until the rubber gasket contacts the pad, then tighten the filter an additional 1/2 to 3/4 turn (Figure 3).
12. Slowly pour approximately 80% of the specified oil into the filler tube.
13. Install the oil fill cap/dipstick and push firmly into place.
14. Check the oil level (Figure 2); refer to the Checking the Oil Level section.
15. Slowly add additional oil to bring it to the full mark.
16. Install the oil fill cap/dipstick and push firmly into place.

6. Remove the oil drain plug (Figure 3). Remove the oil fill cap/dipstick (Figure 2).