



Blower and Drive Kit 60in E-Z Vac™ for Gen II Z Master® Mower

Model No. 78553 - 290000001 and up.

Parts Catalog

Ordering Replacement Parts

To order replacement parts, please supply the part number, the quantity, and the description of each part desired.

Understanding Reference Numbers

Each identified part in an illustration has a reference number. The reference number for a part also appears in the parts list, along with other information about the part.

This catalog uses two special reference number formats, one to indicate parts in a service assembly and another to indicate the quantity of a given part in an illustration.

Service Assembly Reference Numbers

Parts in service assemblies have reference numbers in the form a:b. The a represents the reference number of the entire service assembly and the b represents a sequential number unique to each part within the service assembly.

For example, a wheel assembly might be identified by reference number 6, the tire by 6:1, the valve by 6:2, and the wheel by 6:3. When you order the assembly identified by reference number 6, you receive all parts identified by reference numbers 6:1, 6:2, and 6:3. However, you may also order any part individually. Reference numbers of this type appear in illustrations and in part lists.

Reference Numbers Indicating Quantity

In an illustration, if a reference number indicates more than one part, the reference number has the form nX y. The n represents the quantity of the part, the X is the multiplication symbol, and the y represents the reference number.

For example, in an illustration, the reference number 2X 37 means that two of the parts identified by reference number 37 are indicated.

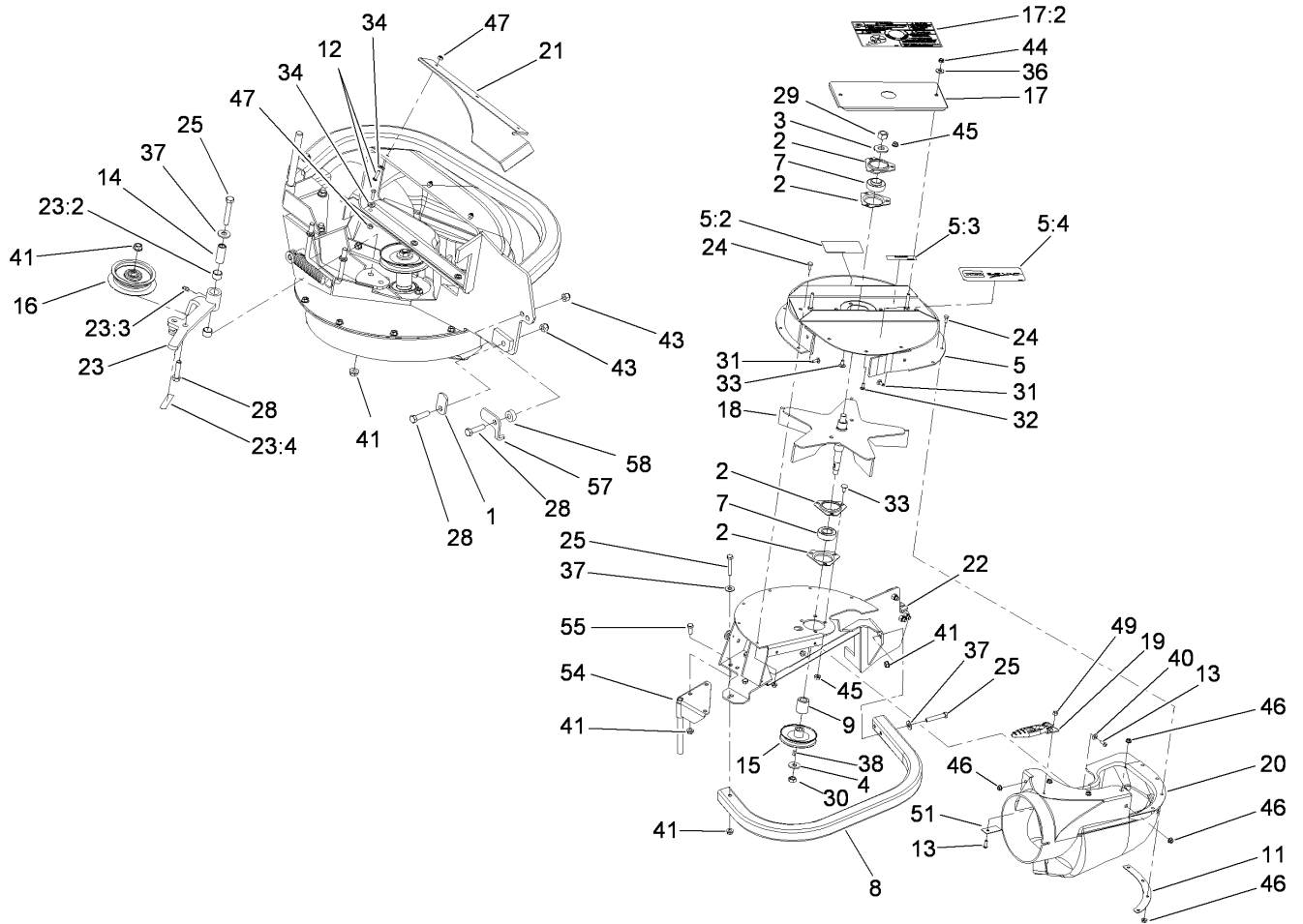
Contents

Description	Page	Description	Page
Blower Drive Assembly 3	Belt, Pulley and Cover Assembly 5

Part Description Abbreviations

Part descriptions in this catalog may include the following abbreviations.

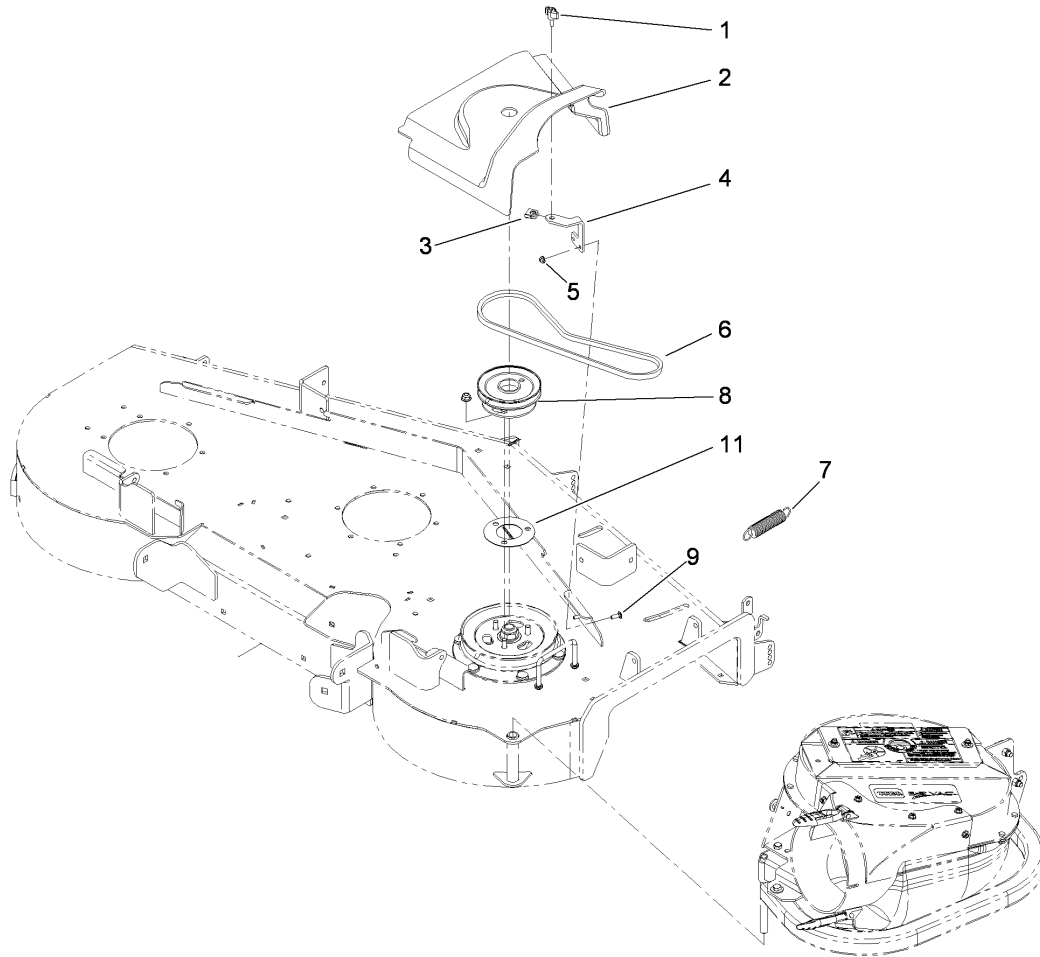
AR.	as required	HYD.	hydraulic
ASM.	assembly	LH.	left hand
BBC.	blade brake clutch	NI.	nylon insert
CARR.	carriage	NPTF.	national pipe thread fine
DEG.	degrees	PFH.	phillips flat head
EXT.	external	PPH.	phillips pan head
FH.	flat head	PPHTF.	phillips pan head thread forming
GA.	gauge	PRH.	phillips round head
HD.	heavy-duty	PTH.	phillips truss head
HF.	hex flange	PTO.	power-take-off
HH.	hex head	RH.	right hand
HHF.	hex head flange	ROPS.	roll-over protection system
HHFTF.	hex head flange thread forming	SFH.	slotted fillister head
HJ.	hex jam	SHH.	slotted hex head
HLH.	hex lag head	SHWH.	slotted hex washer head
HOC.	height-of-cut	SPH.	slotted pan head
HSBH.	hex socket button head	SQH.	square head
HSFH.	hex socket flat head	SRH.	slotted round head
HSH.	hex socket head	STD.	standard
HWH.	hex washer head	TAP.	self tapping
HWHTF.	hex washer head thread forming	TTH.	torx truss head



Blower Drive Assembly

Ref	Part No.	Qty.	Description
1	1-353054	1	Latch-Catcher, Grass
2	1-513013	4	Housing-Flange
3	1-513208	1	Washer-Spring
4	1-513435	1	Washer-Spring
5	112-1773	1	Upper Housing ASM
5:2	106-3339	1	Decal-Warning
5:3	98-5954	1	Decal-Cover, Missing
5:4	112-1770	1	Decal
7	1-653346	2	Bearing-SPH
8	103-0458-01	1	Bumper
9	103-0460	1	Spacer
11	103-0461-03	1	Plate-Backing, Blower
12	3274-39	6	Screw-HSBH
13	3274-69	4	Screw-HSBH
14	1-603044	1	Bushing
15	103-0456	1	Sheave-Blower
16	103-1103	1	Idler-Flat
17	112-1774	1	Cover-Bearing
17:2	109-5890	1	Decal- Blower Warning
18	103-0455	1	Impeller
19	103-2898	2	Latch-Rubber
20	109-1134	1	Chute-Blower
21	110-0328-03	1	Plate-Bottom
22	110-0329-03	1	Blower Mount ASM

Ref	Part No.	Qty.	Description
23	110-0339	1	Idler Arm ASM
23:2	1-653600	2	Bearing
23:3	302-19	1	Fitting-Grease
23:4	1-653558	1	Decal-Hot Sheave
24	321-3	10	Screw-HH
25	323-11	4	Screw-HH
28	323-8	3	Screw-HH
29	3219-6	1	Nut-Hex
30	3220-5	1	Nut-Jam
31	3229-1	2	Screw-CARR
32	3229-11	3	Screw-CARR
33	3230-18	6	Screw-CARR
34	3256-16	6	Washer-Flat
36	3256-3	2	Washer-Flat
37	3256-4	4	Washer-Flat
38	3257-32	1	Key-Woodruff
40	3256-22	2	Washer-Flat
41	3290-357	8	Nut-HHF, Whiz
43	3296-39	2	Nut-Lock, NI
44	3296-47	2	Nut-Lock, NI
45	32128-20	6	Nut-HF
46	32128-33	17	Nut-HF
47	3296-2	6	Nut-Lock
49	3296-42	2	Nut-Lock, NI



Belt, Pulley and Cover Assembly

Ref	Part No.	Qty.	Description
1	98-8332	1	Knob
2	117-0341	1	Belt Cover
3	609900	1	Nut-Speed
4	117-0342-01	1	Bracket-Cover, Belt
5	104-7201	2	Nut-HF
6	112-2344	1	Belt-V
7	1-603693	1	Spring-Extension
8	112-8670-03	1	Blower Pulley ASM
9	1-807512	2	Bolt-CARR
11	117-0348	1	Spacer-Blower Pulley

NOTES

NOTES

