



## Power Max 828 LXE Snowthrower

Model No. 38630 - 290000001 and up.

### Parts Catalog

---

#### **Ordering Replacement Parts**

To order replacement parts, please supply the part number, the quantity, and the description of each part desired.

#### **Understanding Reference Numbers**

Each identified part in an illustration has a reference number. The reference number for a part also appears in the parts list, along with other information about the part.

This catalog uses two special reference number formats, one to indicate parts in a service assembly and another to indicate the quantity of a given part in an illustration.

#### **Service Assembly Reference Numbers**

Parts in service assemblies have reference numbers in the form a:b. The a represents the reference number of the entire service assembly and the b represents a sequential number unique to each part within the service assembly.

For example, a wheel assembly might be identified by reference number 6, the tire by 6:1, the valve by 6:2, and the wheel by 6:3. When you order the assembly identified by reference number 6, you receive all parts identified by reference numbers 6:1, 6:2, and 6:3. However, you may also order any part individually. Reference numbers of this type appear in illustrations and in part lists.

#### **Reference Numbers Indicating Quantity**

In an illustration, if a reference number indicates more than one part, the reference number has the form nX y. The n represents the quantity of the part, the X is the multiplication symbol, and the y represents the reference number.

For example, in an illustration, the reference number 2X 37 means that two of the parts identified by reference number 37 are indicated.

# Contents

Description	Page	Description	Page
Auger and Housing Assembly	..... 3	Engine Assembly No. 1 Tecumseh LH318SA-156563H	..... 14
28 Inch Auger Gearcase Assembly No. 108-7329	..... 4	Engine Assembly No. 2 Tecumseh LH318SA-156563H	..... 16
Chute Assembly	..... 5	Carburetor Assembly Tecumseh LH318SA-156563H	..... 18
Frame Assembly	..... 6	Rewind Starter No. 590749 Tecumseh LH318SA-156563H	..... 19
Handle Assembly	..... 8	Recoil Starter No. 590733 (Optional) Tecumseh LH318SA-156563H	..... 20
Handle and Control Assembly	..... 9	Electric Starter Assembly No. 33329D Tecumseh LH318SA-156563H	..... 21
Lever Chute Control Assembly	..... 10	Attachments and Accessories List	..... 22
Engine Assembly	..... 11		
Wheel Clutch Assembly	..... 12		
Wheel Clutch Sprocket Assembly	..... 13		

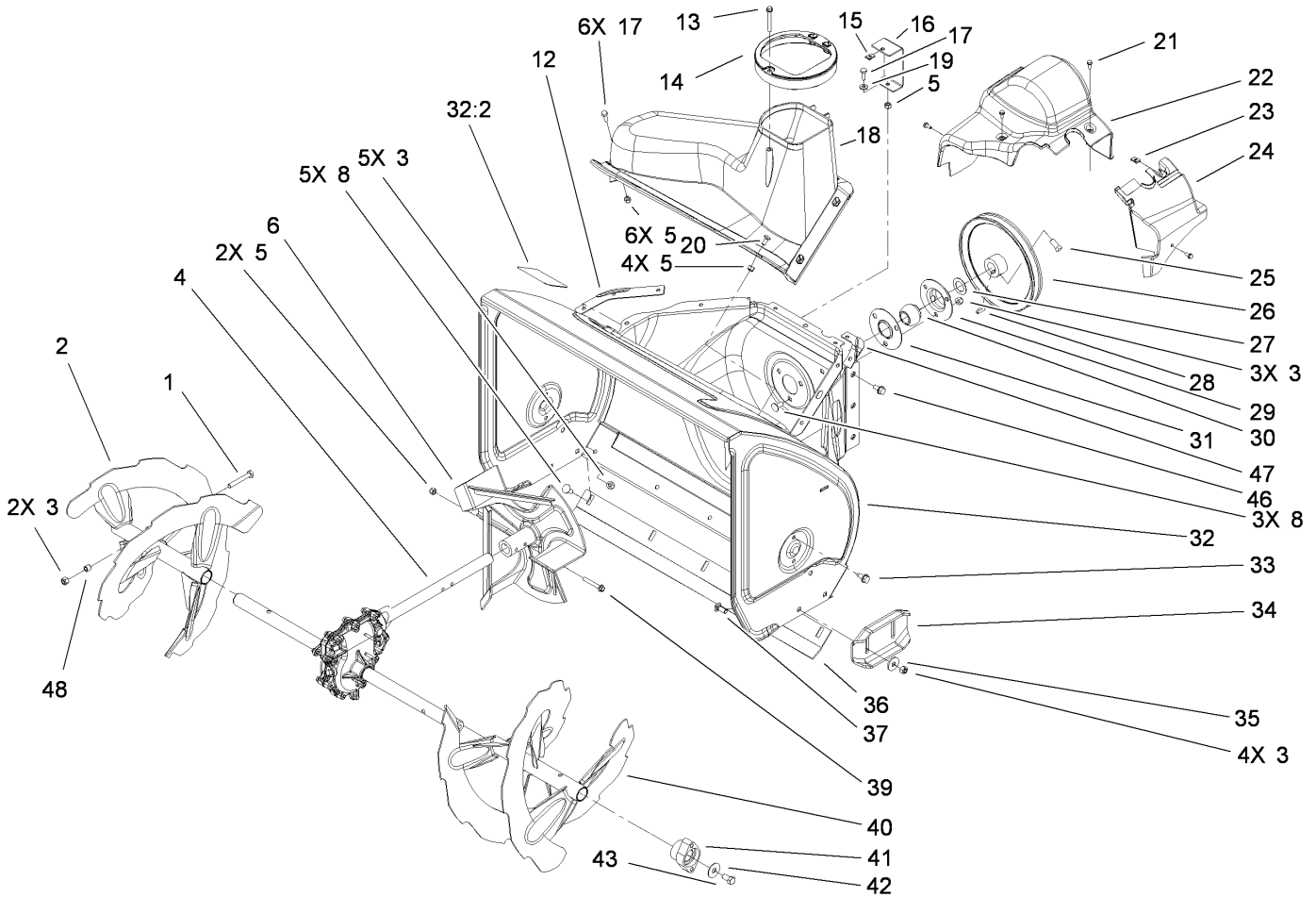
## Part Description Abbreviations

Part descriptions in this catalog may include the following abbreviations.

AR. .... as required	HYD. .... hydraulic
ASM. .... assembly	LH. .... left hand
BBC. .... blade brake clutch	NI. .... nylon insert
CARR. .... carriage	NPTF. .... national pipe thread fine
DEG. .... degrees	PFH. .... phillips flat head
EXT. .... external	PPH. .... phillips pan head
FH. .... flat head	PPHTF. .... phillips pan head thread forming
GA. .... gauge	PRH. .... phillips round head
HD. .... heavy-duty	PTH. .... phillips truss head
HF. .... hex flange	PTO. .... power-take-off
HH. .... hex head	RH. .... right hand
HHF. .... hex head flange	ROPS. .... roll-over protection system
HHFTF. .... hex head flange thread forming	SFH. .... slotted fillister head
HJ. .... hex jam	SHH. .... slotted hex head
HLH. .... hex lag head	SHWH. .... slotted hex washer head
HOC. .... height-of-cut	SPH. .... slotted pan head
HSBH. .... hex socket button head	SQH. .... square head
HSFH. .... hex socket flat head	SRH. .... slotted round head
HSH. .... hex socket head	STD. .... standard
HWH. .... hex washer head	TAP. .... self tapping
HWHTF. .... hex washer head thread forming	TTH. .... torx truss head

## Footnotes

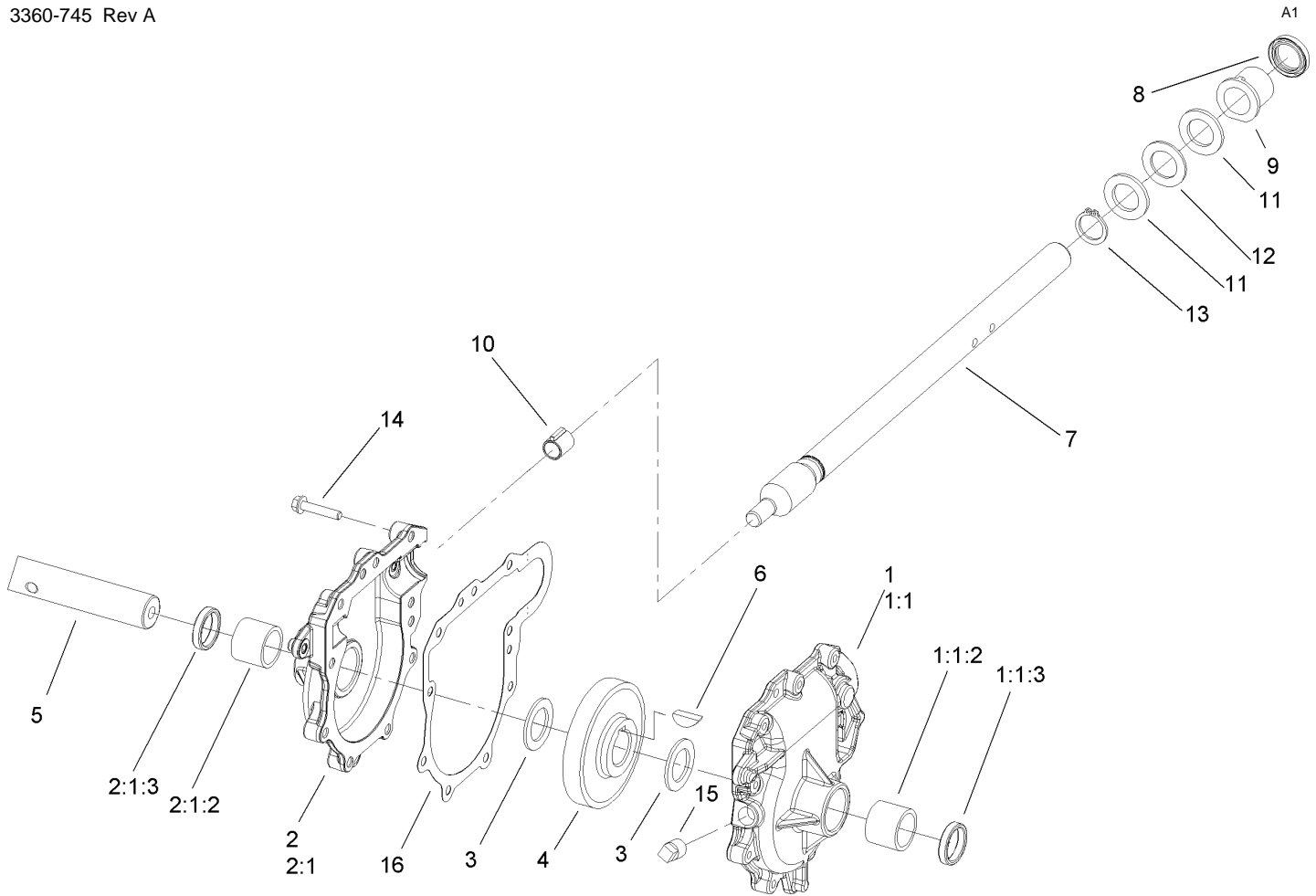
- ❶ Not illustrated
- ❷ Obtain from your local Tecumseh dealer
- ❸ Not serviced separately



## Auger and Housing Assembly

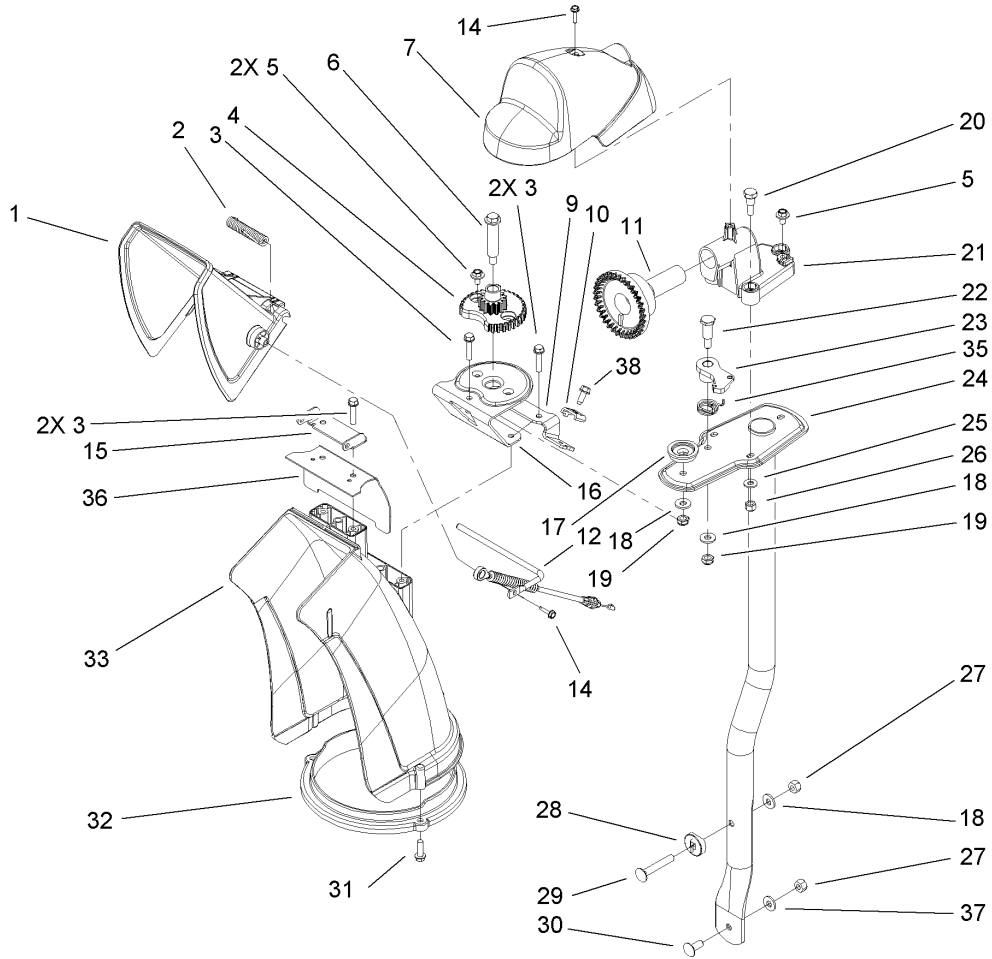
Ref	Part No.	Qty.	Description
1	322-11	2	Screw-HH
2	106-7291-03	1	Auger-RH
3	3296-29	14	Nut-Lock, NI
4	108-7329	1	28 Inch Auger Gearcase ASM
5	3296-42	13	Nut-Lock, NI
6	106-4576-03	1	Impeller ASM
8	3230-23	8	Screw-CARR
12	107-1017-03	1	Seal-Flange, Cover
13	107-3003	1	Screw-Plastite
14	107-3006	1	Guide-Chute
15	107-1013	1	Nut-Speed, U-Type
16	107-1014-03	1	Bracket-Cover, Clip Nut
17	321-4	7	Screw-HH
18	108-0017	1	Cover
19	3256-22	1	Washer-Flat
20	3229-1	4	Screw-CARR
21	32144-112	4	Screw-HWH
22	107-1001	1	Cover-Belt
23	701493	1	Nut-Speed
24	107-1016	1	Cover-Extension, Belt
25	3242-4	2	Screw-Set, SQH
26	62-1300	1	Pulley-Impeller
27	252-80	1	Washer-Thrust
28	3257-23	1	Key-Woodruff

Ref	Part No.	Qty.	Description
29	26-6110	1	Flange-Cup, Bearing
30	63-3450	1	Bearing-Ball
31	26-6120	1	Flange-Cup, Bearing
32	107-3823	1	Housing-Auger, 28 Inch
32:2	53-7670	1	Decal-Warning, Auger
33	32144-70	4	Screw-HWHTF
34	106-4588-01	2	Skid
35	52-2861	4	Washer
36	106-4573-01	1	Scraper-Fixed
37	3230-16	4	Screw-CARR
39	321-44	2	Screw-HHF
40	106-7301-03	1	LH Auger ASM
41	106-4570	2	Auger-Bearing
42	3-0750	2	Washer
43	323-4	2	Screw-HH
46	32144-14	6	Screw-HWHTF
47	108-0039-03	1	Seal
48	1-633545	2	Spacer



## 28 Inch Auger Gearcase Assembly No. 108-7329

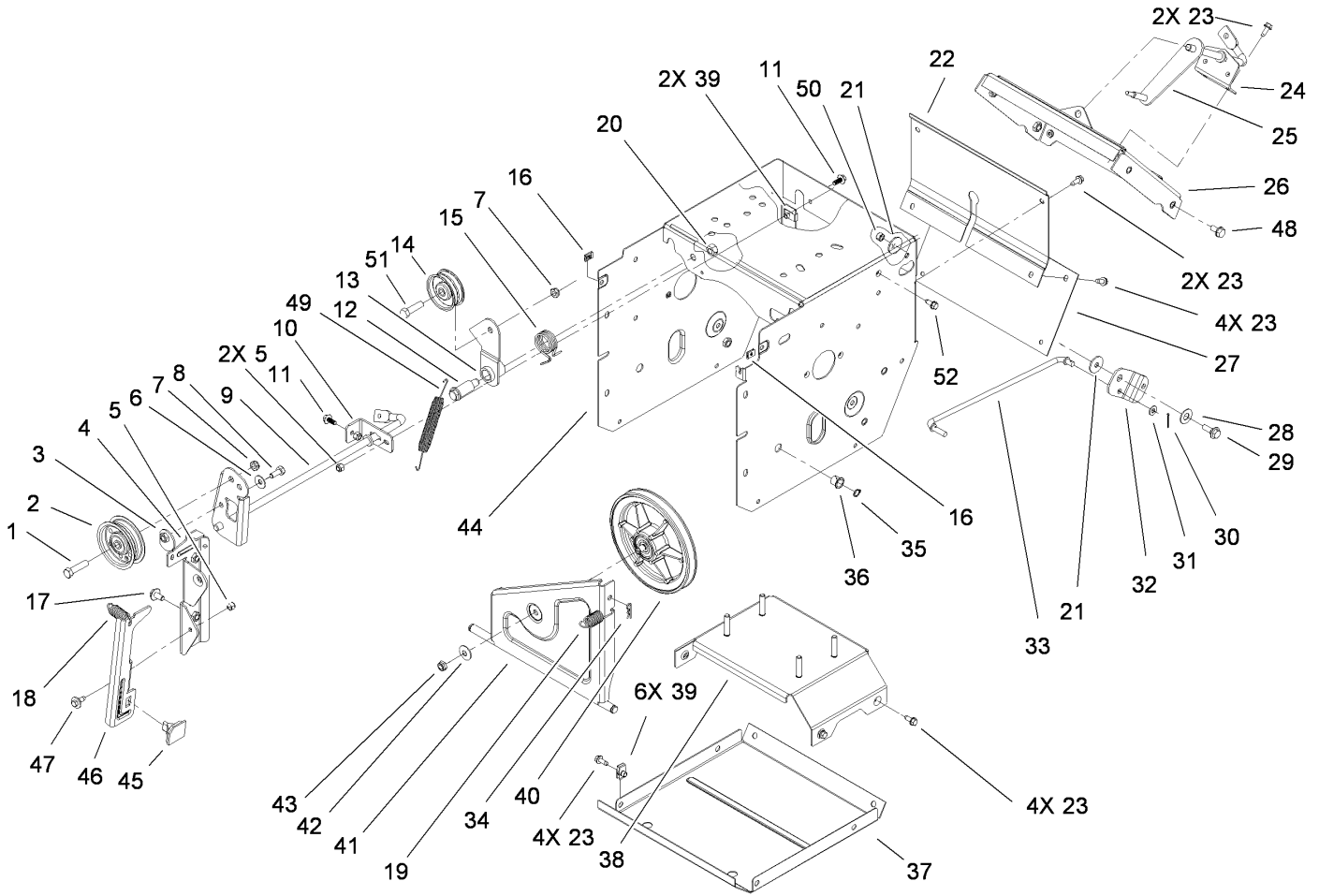
Ref	Part No.	Qty.	Description
1	108-7325	1	LH Auger Gearcase ASM
② 1:1		1	Gearcase-Auger, LH
1:1:2	112-6635	1	Bushing-Sleeve
1:1:3	7-0045	1	Seal-Oil
2	108-7327	1	RH Auger Gearcase ASM
② 2:1		1	Gearcase-Auger, RH
2:1:2	112-6635	1	Bushing-Sleeve
2:1:3	7-0045	1	Seal-Oil
3	252-71	2	Washer-Thrust
4	62-0120	1	Gear-Helical
5	106-4421	1	Shaft-Auger
6	3257-10	1	Key-Woodruff
7	66-7811	1	Shaft-Impeller
8	253-149	1	Seal-Oil
9	37-6560	1	Bushing-Input
10	62-1150	1	Bushing-Worm
11	252-78	2	Bearing-Thrust
12	252-76	1	Bearing-Thrust
13	32151-33	1	Ring-Retaining, EXT
14	108-4862	9	Screw-HWHTF
15	281-1	1	Plug-Pipe, SQH
16	108-7330	1	Gasket-Gearcase, Auger

## Chute Assembly

Ref	Part No.	Qty.	Description
1	112-6606	1	Deflector-Chute
2	106-4594	1	Spring-Torsion
3	46-8092	5	Screw-Plastite
4	106-4472	1	Gear-Chute
5	46-6810	3	Screw And Washer ASM
6	100-9880	1	Bolt-Shoulder
7	106-4585	1	Cover-Gear, Chute
9	106-7296	1	Bracket-Cable, Clamp
10	106-7297	1	Clamp-Cable
11	106-4471	1	Gear-Face
12	107-1021	1	Rod-Deflector
14	98-1375	2	Screw-HWH
15	106-7266	1	Bracket-Deflector
16	106-4582-03	1	Bracket-Support, Chute
17	106-4422	1	Spacer-Chute
18	3256-2	3	Washer-Flat
19	3296-47	2	Nut-Lock, NI
20	106-7276	3	Screw-Shoulder
21	106-7257	1	Mount-Gear, Face
22	63-2650	1	Screw-Shoulder
23	106-4476	1	Latch-Chute
24	106-7253-03	1	Tube-Support
25	3256-22	3	Washer-Flat
26	3296-42	3	Nut-Lock, NI

Ref	Part No.	Qty.	Description
27	3296-29	2	Nut-Lock, NI
28	106-7260	1	Washer-Curved
29	3230-5	1	Screw-CARR
30	3230-23	1	Screw-CARR
31	46-8091	3	Screw-HWH
32	105-9991	1	Ring-Chute
33	106-4440	1	Chute-Discharge
35	108-7315	1	Spring-Torsion
36	108-5052	1	Seal-Chute
37	3290-456	1	Washer-Belleville
38	32144-10	1	Screw-HWH

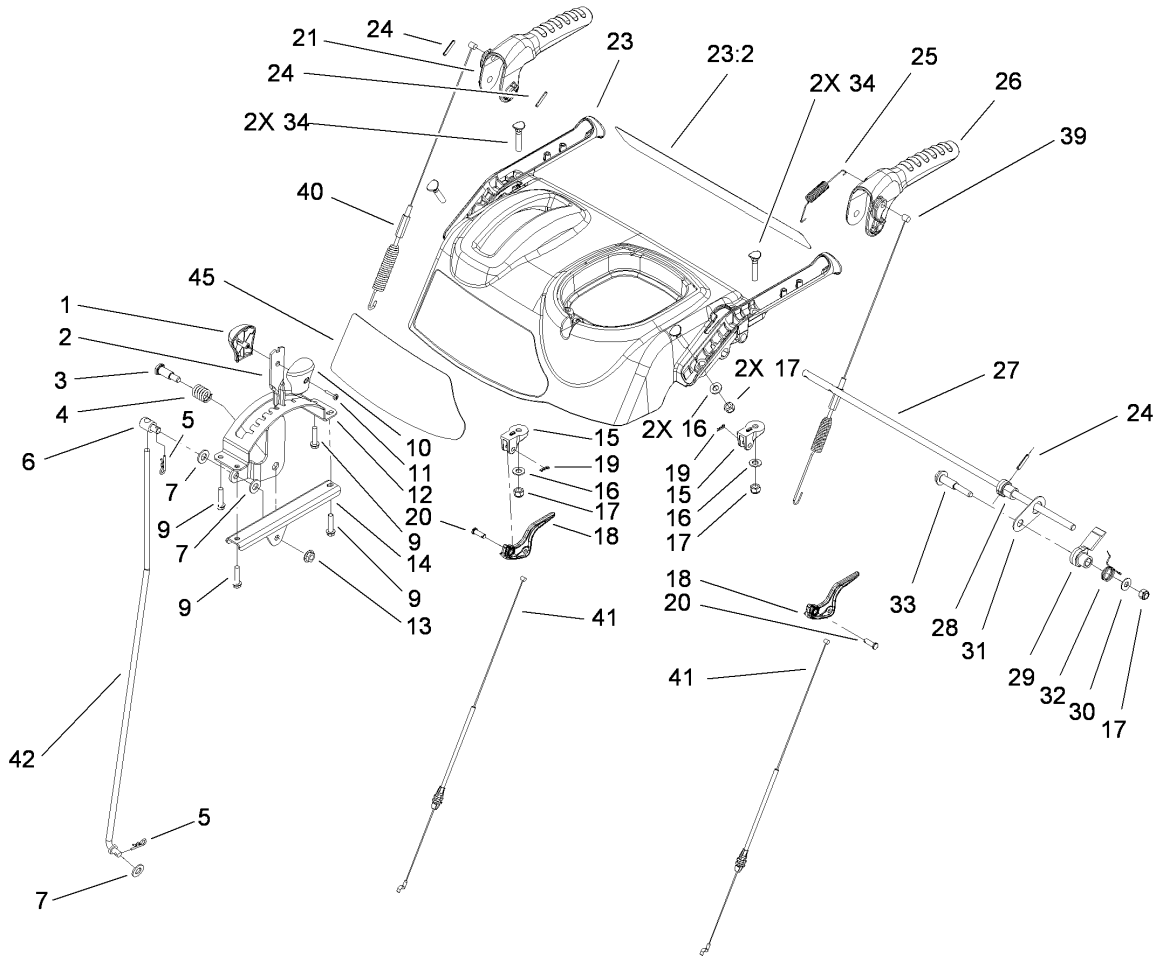


### Frame Assembly

Ref	Part No.	Qty.	Description
1	323-8	1	Screw-HH
2	92-7104	1	Pulley-Idler
3	107-1047	1	Nut
4	107-1039	1	Bracket-Idler, Impeller
5	3296-42	3	Nut-Lock, NI
6	3290-456	1	Washer-Belleville
7	3296-59	2	Nut-Lock, NI
8	322-3	1	Screw-HH
9	107-3838-03	1	Impeller Clutch ASM
10	106-7341	1	Bracket-Rear, Clutch
11	99-6810	2	Screw-HH
12	108-5056	1	Bolt-Shoulder
13	108-5058	1	Arm-Idler, Traction
14	3-4244	1	Pulley-Idler
15	108-7332	1	Spring-Torsion
16	107-1013	2	Nut-Speed, U-Type
17	3234-7	2	Screw-HHF
18	107-1045	1	Spring-Extension
19	107-1003	1	Spring-Extension
20	3296-76	1	Nut-Lock, NI
21	5-4460	2	Washer-Pivot
22	108-0022-01	1	Cover-Upper
23	32144-10	16	Screw-HWH
24	108-0036	1	Bracket-Rod, Shift

Ref	Part No.	Qty.	Description
25	106-7268	1	Lever-Control, Traction
26	108-0026-01	1	Shift Plate ASM
27	106-7345-01	1	Cover-Lower
28	25-5640	1	Washer
29	27-0410	1	Screw-Shoulder
30	3272-4	1	Pin-Cotter
31	3256-23	1	Washer-Flat
32	107-1011	1	Bellcrank-Drive
33	106-4467	1	Link-Control, Speed
34	3290-307	1	Pin-Hair
35	32151-61	2	Ring-Retaining
36	256-257	2	Bushing-Nyliner
37	106-7330-01	1	Pan-Bottom
38	106-7315	1	Brace Frame ASM
39	107069	8	Clip
40	108-0031	1	Traction Pulley ASM
41	108-7307	1	Friction Wheel Bracket ASM
42	3290-340	1	Washer-Belleville
43	3296-5	1	Nut-Lock
44	114-9259-01	1	Traction Frame ASM
45	66-8060	1	Pad-Brake
46	107-1000	1	Arm-Brake
47	92-9698	1	Screw-Shoulder
48	32144-14	4	Screw-HWHTF

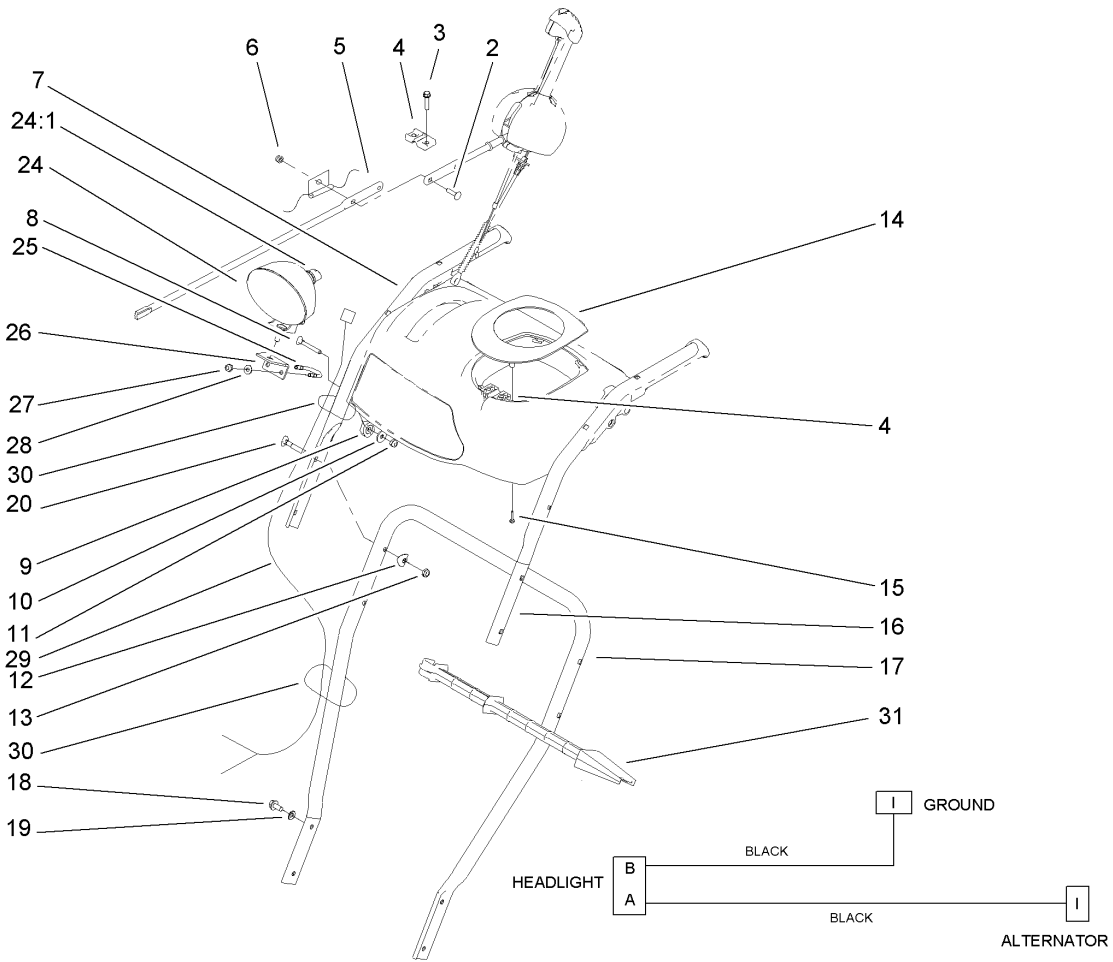




## Handle Assembly

Ref	Part No.	Qty.	Description
1	106-4423	1	Knob-Shift, RH
2	106-7278-03	1	Selector-Speed
3	63-2650	1	Screw-Shoulder
4	108-7313	1	Spring-Compression
5	3290-307	2	Pin-Hair
6	110-3446	1	Trunion-Rod
7	3256-24	3	Washer-Flat
9	46-8092	4	Screw-Plastite
10	105-9999	1	Knob-Shift, LH
11	94-4496	1	Screw-PPH
12	106-7277-03	1	Guide-Selector, Speed
13	32128-13	1	Nut-HF
14	106-7279-03	1	Mount-Selector, Speed
15	105-9980	2	Mount-Clutch, Lever
16	3256-70	4	Washer-Flat
17	3296-72	5	Nut-Lock, NI
18	106-4505	2	Lever-Clutch
19	108-2992	2	Pin-Hair
20	1-808265	2	Pin-Clevis
21	106-4413	1	Lever-Auger
23	112-6632	1	Control Panel ASM
23:2	112-6622	1	Decal-Control Panel, Back
24	32121-125	3	Pin-Spring
25	107-3001	1	Spring-Tension

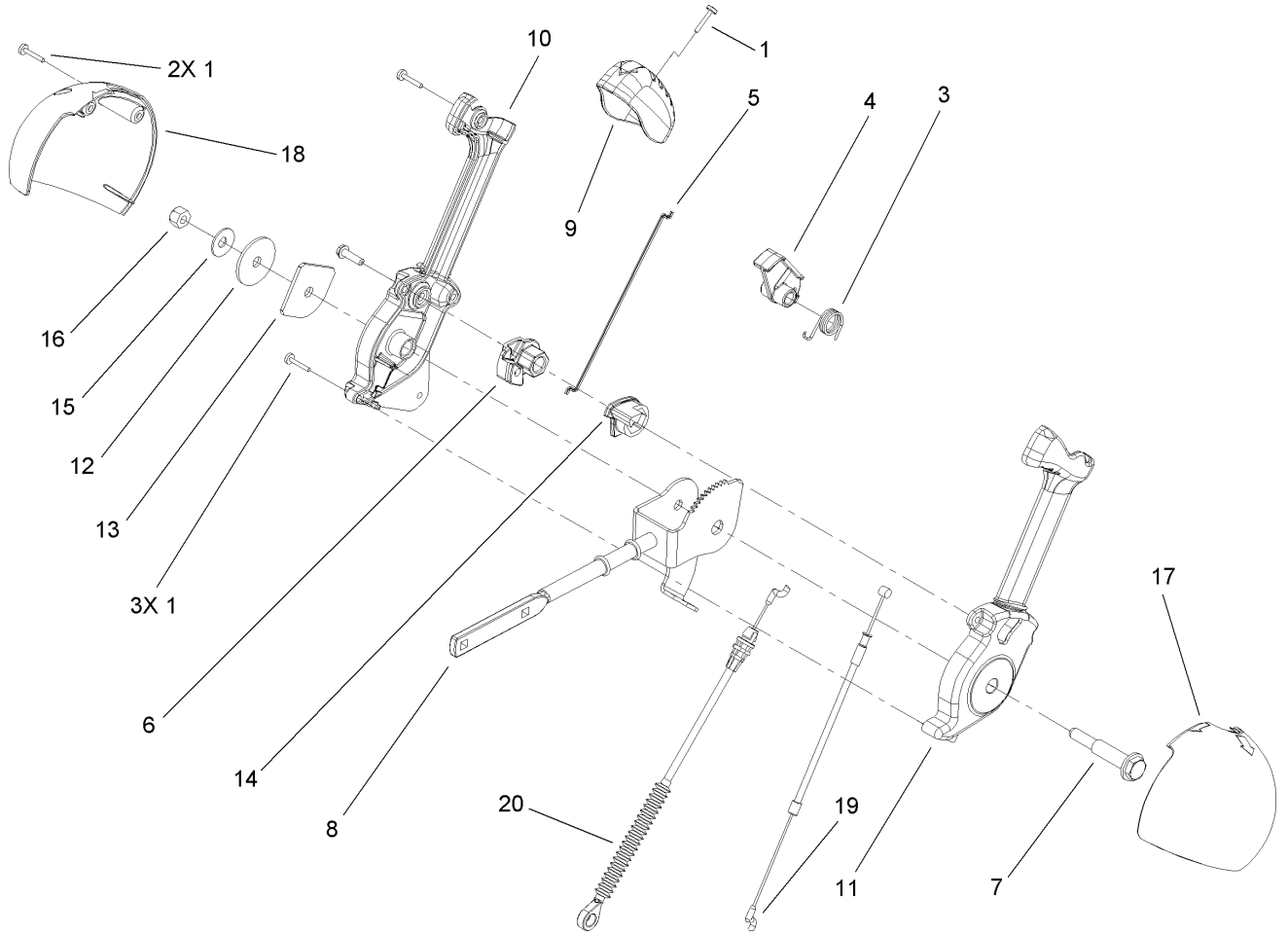
Ref	Part No.	Qty.	Description
26	106-4410	1	Lever-Traction
27	105-9996	1	Rod-Lockout
28	107-1043	1	Cam-Lockout
29	108-0023	1	Latch-Lockout
30	98-3499	1	Washer-Flat
31	107-3000	1	Link-Lockout
32	108-0024	1	Spring-Torsion
33	106-4412	1	Screw-Shoulder
34	107-3018	4	Screw-Handle
39	115-5671	1	Cable-Traction
40	115-5680	1	Cable-Auger
41	107-8896	2	Cable-Clutch
42	107-1005	1	Rod-Shift
45	108-2963	1	Decal-Panel, Control



## Handle and Control Assembly

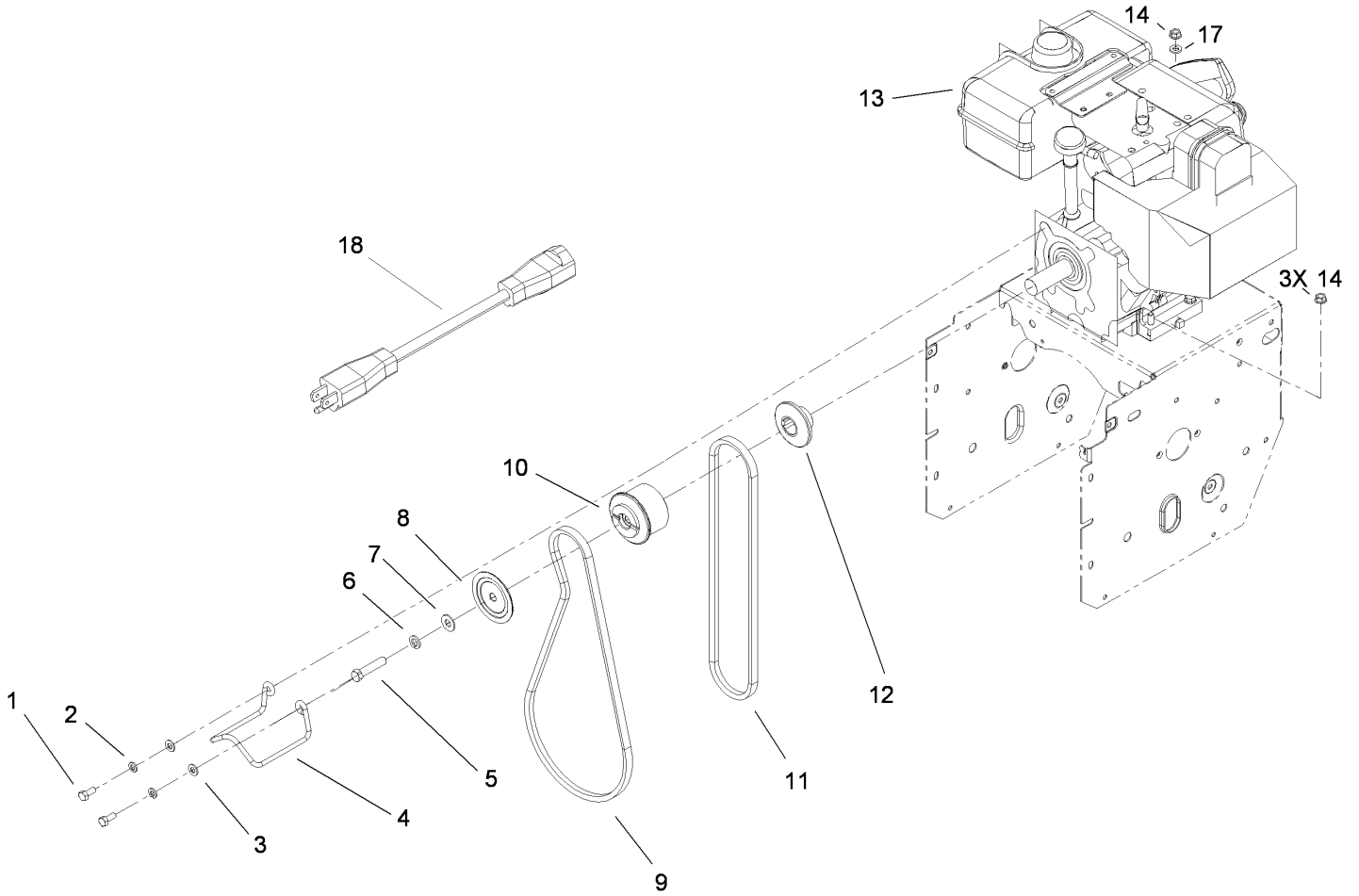
Ref	Part No.	Qty.	Description
2	3229-30	2	Screw-CARR
3	46-8092	2	Screw-Plastite
4	105-9987	2	Support-Rod
5	106-7283	1	Rod-Chute, Front
6	3296-73	2	Nut-Lock, NI
7	108-0038-03	1	Handle-Upper, RH
8	95-4453	2	Screw
9	106-4509	2	Clamp-Cable
10	87-6630	2	Washer-Plain
11	3296-73	2	Nut-Lock, NI
12	107-3844	4	Washer
13	3296-72	4	Nut-Lock, NI
14	106-4586	1	Cover-Panel, Control
15	94-4496	2	Screw-PPH
16	108-0037-03	1	Handle-Upper, LH
17	105-9981-03	1	Handle-Lower
18	32144-14	4	Screw-HWHTF
19	3290-475	4	Washer-Belleville
20	92-2260	4	Screw-Handle
24	106-4510	1	Headlamp ASM
24:1	108-0008	1	Lamp-12 Volt
25	107-3024	1	Clamp
26	107-1020-03	1	Bracket-Light
27	3296-73	2	Nut-Lock, NI

Ref	Part No.	Qty.	Description
28	3256-1	2	Washer-Flat
29	106-4511	1	Harness-Wire
30	614249	2	Strap-Tie
31	110-3408	1	Stick-Cleanout



### Lever Chute Control Assembly

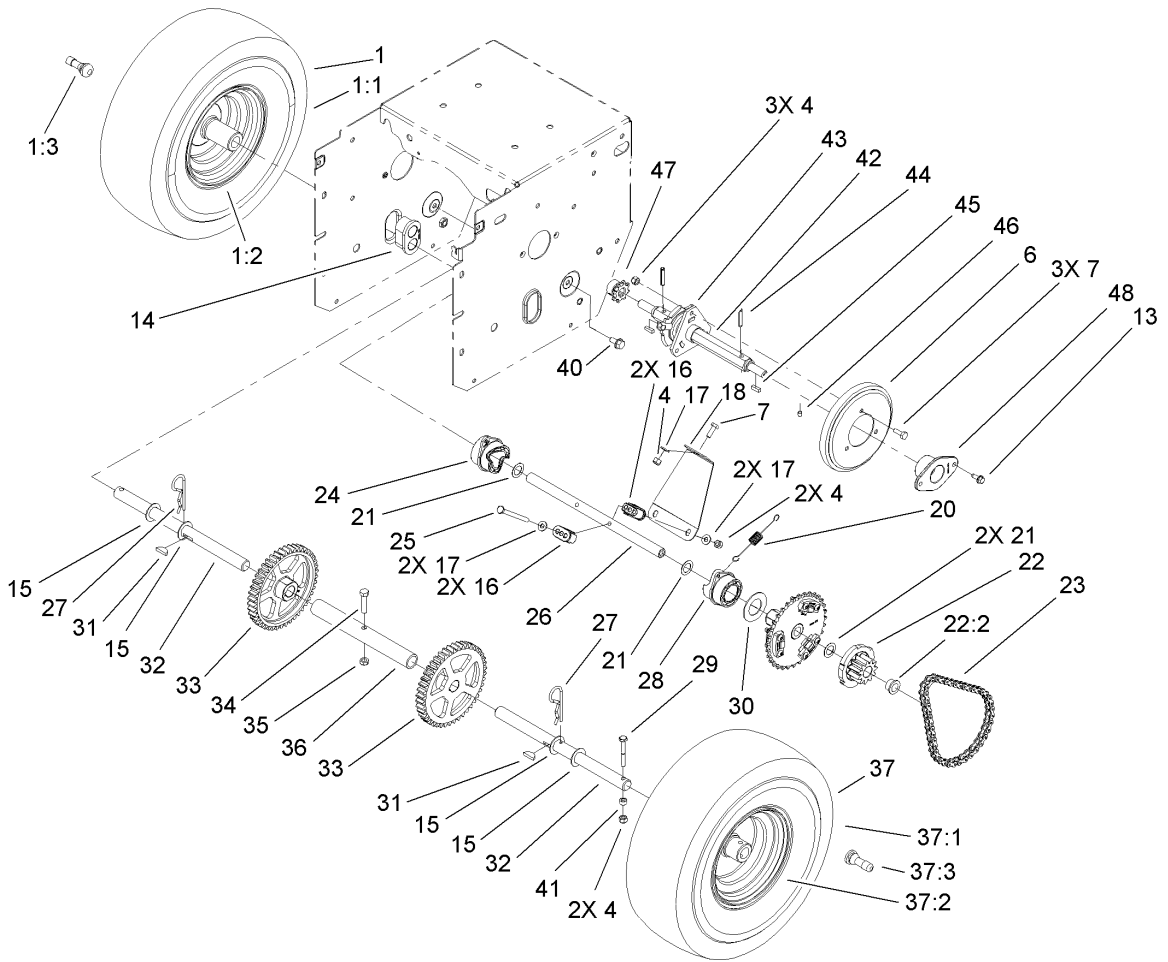
Ref	Part No.	Qty.	Description
1	94-4496	6	Screw-PPH
3	105-9982	1	Spring-Torsion
4	105-9984	1	Trigger-Latch
5	105-9985	1	Link-Latch
6	105-9988	1	Lever-Cable, Deflector
7	105-9995	1	Screw-Shoulder
8	106-4479	1	Rod-Control, Chute
9	106-7280	1	Cap-Lever
10	106-7281	1	Lever-Chute Control, RH
11	106-7282	1	Lever-Chute Control, LH
12	107-3002	1	Washer-Nylon
13	106-7295	1	Plate-Friction
14	106-7310	1	Pawl-Latch
15	3290-456	1	Washer-Belleville
16	3296-29	1	Nut-Lock, NI
17	105-9986	1	Cover-Chute Lever, LH
18	106-7292	1	Cover-Chute Lever, RH
19	105-9989	1	Cable-Release, Chute
20	105-9990	1	Cable-Control, Deflector



## Engine Assembly

Ref	Part No.	Qty.	Description
1	3210-3	2	Screw-HH
2	3253-4	2	Washer-Lock
3	3256-23	2	Washer-Flat
4	107-3835	1	Guide-Belt
5	3212-8	1	Screw-HH
6	3253-6	1	Washer-Lock
7	3256-4	1	Washer-Flat
8	62-0940	1	Sheave-Half, Impeller
9	106-4498	1	Belt-V
10	106-7333	1	Pulley-Engine, Center
11	94-8812	1	V Belt-Traction
12	106-7334	1	Sheave-Half, Traction
13		1	Engine-Tecumseh, LH318Sa-156563H
14	32128-20	4	Nut-HF
17	3256-2	1	Washer-Flat
18	99-9300	1	Cord-Extension

--	--	--	--



## Wheel Clutch Assembly

Ref	Part No.	Qty.	Description
② 1		1	RH Wheel And Tire ASM
1:1	107-3042	1	Tire
1:2	107-3043	1	Rim-Tire
1:3	232-27	1	Stem-Valve
4	3296-42	8	Nut-Lock, NI
6	106-4480	1	Wheel-Friction
7	321-4	4	Screw-HH
13	32144-10	4	Screw-HWH
14	106-4558	2	Bearing-Axle
15	3-8664	4	Washer-Thrust
16	107-8889	4	Guide-Collar
17	3256-22	5	Washer-Flat
18	107-8892-03	1	Brace-Collar, Shift
20	107-8893	2	Spring-Extension
21	108-0015	4	Washer-Flat
22	107-8894	2	11T Gear ASM
22:2	108-2973	2	Bushing-Flange
23	108-0016	2	Chain-Roller
23	2710-6	2	Link-Connecting
24	107-8888	1	Collar-Shift, RH
25	321-23	2	Screw-HH
26	107-8883	1	Shaft-Intermediate
27	3290-343	2	Pin-Hair
28	107-8887	1	Collar-Shift, LH

Ref	Part No.	Qty.	Description
29	108-2975	2	Screw-HH
30	107-8891	2	Washer-Thrust
31	3257-7	2	Key-Woodruff
32	107-8898	2	Shaft-Axle
33	106-4572	2	Gear-Axle, 44 Tooth
34	322-17	1	Screw-HH
35	3296-47	1	Nut-Lock, NI
36	106-7259	1	Tube-Axle
② 37		1	LH Wheel And Tire ASM
37:1	107-3042	1	Tire
37:2	107-3043	1	Rim-Tire
37:3	232-27	1	Stem-Valve
40	32144-14	2	Screw-HWH
41	55-9370	2	Spacer-Blade, Rotor
42	108-7314	1	Shaft-Hex
43	106-4434	1	Trunion-Hex
44	32121-9	2	Pin-Roll, Slotted
45	94-8850	2	Key-Square
46	3245-32	4	Screw-HSH
47	106-7317	2	Sprocket-8 Tooth
48	108-7319	2	Retainer-Bearing





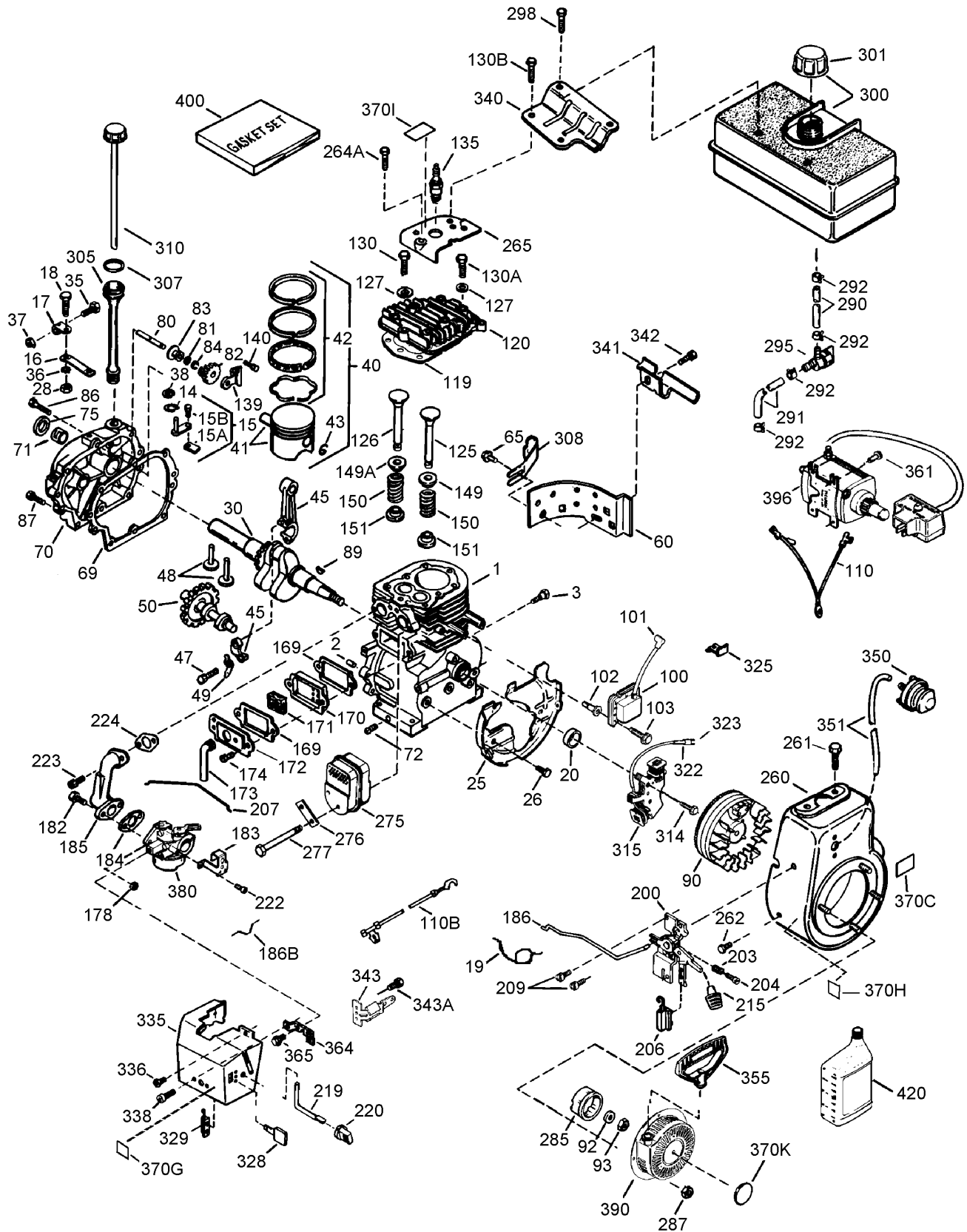
# Engine Assembly No. 1

## Tecumseh LH318SA-156563H

Ref	Part No.	Qty.	Description	Ref	Part No.	Qty.	Description
①1	35385	1	Cylinder ASM (Includes 2, 20, 72)	①90	611093	1	Flywheel ASM
①2	27652	2	Pin-Dowel	①92	650880	1	Washer-Belleville
①3	650820	2	Screw (1/4-20X1/2)	①93	650881	1	Nut-Flywheel
①14	28277	1	Washer-Flat	①100	35135A	1	Ignition-State, Solid (Includes 101)
①15	30699C	1	Rod-Governor (Includes 15A, 15B)	①101	610118	1	Cover-Spark Plug
①15A	30700	1	Yoke-Governor	①102	651024	2	Stud-Mounting, Solid State
①15B	650494	1	Screw (6-40X5/16)	①103	651007	2	Screw (T-15, 10-24 X 15/16)
①16	33454A	1	Lever-Governor	①110	35187	1	Wire-Ground
①17	29916	1	Clamp-Lever, Governor	①110B	37047	1	Wire-Ground
①18	651028	1	Screw (T-15, 8-32X7/16)	①119	36448	1	Gasket-Head, Cylinder
①19	34663	1	Spring-Throttle	①120	36449	1	Head-Cylinder
①20	35319	1	Seal-Oil	①125	27878A	1	Valve-Exhaust (STD) (Includes 151)
①25	37853	1	Baffle-Housing, Blower	①125	27880A	1	Valve-Exhaust (1/32In Os) (Includes 151)
①26	650561	2	Screw (1/4-20X19/32)	①126	34035	1	Valve-Intake (STD.) (Includes 151)
①28	30322	1	Nut-Lock (8-32)	①127	650691	2	Washer-Flat
①30	35571A	1	Crankshaft	①130	6021A	7	Screw (5/16-18X1-1/2)
①35	29826	1	Screw (10-32X3/4)	①130A	650727	2	Screw (5/16-18X1-25/32)
①36	29918	1	Washer-Lock (8)	①130B	651055	2	Screw (5/16-18X39/64)
①37	29216	1	Nut-Lock (10-32)	①135	35395	1	Spark Plug-Resistor (R J19 L M)
①38	29642	1	Ring-Retaining	①139	33369	1	Bracket-Gear, Governor
①40	40011	1	Piston-Pin And Ring Set (STD)	①140	650836	2	Screw (10-24X1/2)
①40	40012	1	Piston- Pin And Ring Set (.010 O S)	①149	27882	1	Cap-Spring, Valve
①41	40009	1	Piston And Pin ASM (STD) (Includes 43)	①149A	35862	1	Cap-Spring, Valve
①41	40010	1	Piston And Pin ASM (.010In Os) (Includes 43)	①150	27881	2	Spring-Valve
①42	40013	1	Ring Set (STD)	①151	32581	2	Keeper-Spring, Valve
①42	40014	1	Ring Set (.010 O S)	①169	27896A	2	Gasket-Cover, Valve
①43	27888	2	Ring-Retaining, Piston Pin	①170	28423	1	Body-Breather
①45	36897	1	Connecting Rod ASM (Includes 47, 49)	①171	28424	1	Element-Breather
①47	651033	2	Bolt-Rod, Connecting	①172	28425	1	Cover-Valve
①48	34034	2	Lifter-Valve	①173	35350	1	Tube-Breather
①49	36896	1	Dipper-Oil	①174	650128	2	Screw (10-24X1/2)
①50	35375	1	Camshaft (Mcr)	①178	29752	2	Nut And Lock Washer (1/4-28)
①60	33273A	1	Extension-Housing, Blower				
①65	650128	1	Screw (10-24X1/2)				
①69	37342	1	Gasket-Cover, Cylinder				
①70	37847	1	Cover-Cylinder (Includes 71, 75, 80-84)				
①71	35377	1	Bushing-Crankshaft				
①72	27642	1	Plug-Drain, Oil (SQH 1/4-18)				
①75	35319	1	Seal-Oil				
①80	37587	1	Shaft-Governor				
①81	651080	1	Washer				
①82	37588	1	Governor Gear ASM (Includes 81)				
①83	30588A	1	Spool-Governor				
①84	29193	1	Ring-Retaining				
①86	650833	7	Screw (1/4-20X1-3/16)				
①87	650832	1	Screw (1/4-20X1-11/16)				
①89	32589	1	Key-Flywheel				

# Engine Assembly No. 2

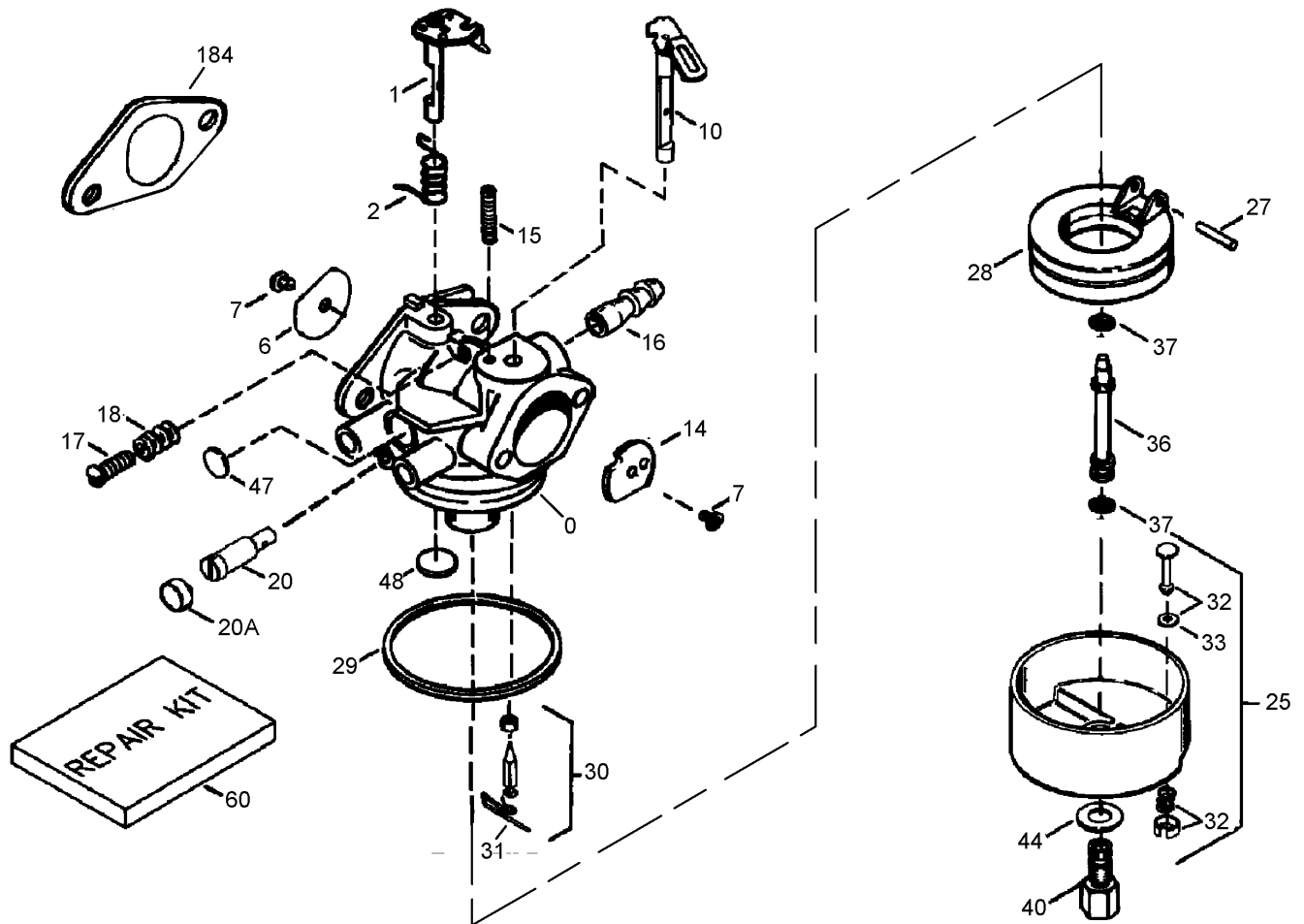
## Tecumseh LH318SA-156563H



## Engine Assembly No. 2

### Tecumseh LH318SA-156563H

Ref	Part No.	Qty.	Description	Ref	Part No.	Qty.	Description
③182	30088A	2	Screw (1/4-28X1)	③340	34154	1	Bracket-Tank, Fuel (Black)
③183	34587A	1	Bracket-Choke	③341	34155	1	Bracket-Tank, Fuel
③184	33263	1	Gasket-Carburetor To Intake Pipe	③342	650561	1	Screw (1/4-20X19/32)
③185	33877	1	Pipe-Intake	③343	35079A	1	Bracket-Switch, Key (Includes 343A)
③186	34667	1	Link-Governor	③343A	651060	1	Screw (8-32 X 23/64)
③186B	36652	1	Spring-Choke	③350	570682A	1	Primer ASM
③200	34677	1	Bracket-Control (Includes 19, 203, 204, 206)	③351	32180C	1	Line-Primer (12 Inches)
③203	31342	1	Spring-Compression	③355	590574	1	Handle-Starter, Mitten Grip
③204	651029	1	Screw (T-10, 5-40X7/16)	③361	650990	2	Screw (T-30, 1/4-20X15/32)
③206	610973	1	Terminal	③364	37659	1	Bracket-Cover, Carburetor
③207	33878	1	Link-Throttle	③365	650767	2	Screw (8-32X27/64)
③209	650821	2	Screw (10-32 X 1/2)	③370C	36501	1	Decal-Primer, International Symbol
③215	35440	1	Knob-Control	③370G	36534	1	Decal-Instruction
③219	34586	1	Rod-Choke	③370H	35077	1	Decal-Speed Control And Choke
③220	35438	1	Knob-Control	③370I	37119	1	Decal-Warning (Bilingual)
③222	28820	2	Screw (10-32 X 1/2)	③370K	36695	1	Decal-Tecumseh Logo For Top Of Recoil Starter
③223	650378	2	Screw (T-30, 5/16-18X1-3/32)	③380	640349	1	Carburetor ASM (Includes 184)
③224	27915A	1	Gasket-Pipe, Intake	③390	590749	1	Starter-Rewind (Note: This Engine Could Have Been Built With Starter 590733)
③260	35447A	1	Housing-Blower	③396	33329D	1	Starter-Electric (110 Volt)
③261	650788	2	Screw (5/16-18X3/4)	③400	36450C	1	Gasket Set (Includes 69, 119, 169, 184, 224)
③262	651084	2	Screw (5/16-18X9/16)	③420	730226A	1	Oil-Engine, S A E 5W30
③264A	650802	1	Screw (1/2-20X5/8)	①③	756320C	1	Shortblock
③265	33272D	1	Cover-Head, Cylinder (Black)				
③275	35056	1	Muffler				
③276	31588	1	Plate-Locking				
③277	651002	2	Screw (5/16-18X4-3/16)				
③285	35985C	1	Cup-Starter				
③287	29752	4	Nut And Lock Washer (1/4-28)				
③290	29774	1	Line-Fuel (8.62)				
③291	30705	1	Line-Fuel				
③292	26460	4	Clamp-Line, Fuel				
③295	35857	1	Valve-Shut Off, Fuel (Includes 292)				
③298	650665	2	Screw (1/4-15X7/8)				
③300	34156A	1	Tank-Fuel (Includes 292, 301)				
③301	37844	1	Cap-Fuel (Black) (1-1/2 I D)				
③305	36877	1	Tube-Fill, Oil				
③307	35499	1	O-Ring				
③308	35539	1	Clip-Tube, Fill				
③310	37869	1	Dipstick				
③314	650873	1	Screw (1/4-20 X 3/4)				
③315	611111	1	Coil-Alternator, 18 Watt (Includes 322, 323)				
③322	611117	1	Body-Connector				
③323	611118	1	Terminal				
③325	29443	1	Clip-Wire				
③328	35062	2	Key-Ignition				
③329	610973	1	Terminal				
③335	36547	1	Cover-Carburetor (Black)				
③336	650765	1	Screw (10-32X1/2)				
③338	28942	2	Screw (10-32 X 3/8)				



## Carburetor Assembly Tecumseh LH318SA-156563H

Ref	Part No.	Qty.	Description
0	640349	1	Carburetor ASM (Includes 184)
1	631776A	1	Throttle Shaft And Lever ASM
2	631970	1	Spring-Return, Throttle
6	640109	1	Shutter-Throttle
7	650506	2	Screw-Shutter
10	632112	1	Choke Shaft And Lever ASM
14	632174	1	Shutter-Choke
15	630735	1	Spring-Positioning, Choke
16	632164	1	Fitting-Fuel
17	651025	1	Screw-Throttle Crack And Idle Speed
18	630766	1	Spring-Tension
20	640027	1	Screw-Restrictor, Idle
20A	640200	1	Cap-Screw, Restrictor Idle
25	631951	1	Float Bowl ASM (Includes 32-33)
27	631024	1	Shaft-Float
28	632802	1	Float (Plastic)
29	631028	1	O Ring-Bowl, Float
30	631021A	1	Inlet Needle, Seat, And Clip ASM (Includes 31)
31	631022	1	Clip-Spring
32	27136A	1	Bowl Drain ASM
33	27554	1	Gasket-Plunger, Drain
36	640113	1	Tube-Nozzle

Ref	Part No.	Qty.	Description
37	632547	2	O-Ring
40	640128	1	Nut-Bowl, High Speed
44	27110	1	Washer-Bowl Nut
47	630748	1	Plug-Welch, Idle Mixture Well
48	631027	1	Plug-Welch, Atmospheric Vent
60	632760B	1	Repair Kit (Includes 7, 27, 29, 30, 33, 37, 44, 47, 48)
184	33263	1	Gasket-Carburetor To Intake Pipe







# Attachments and Accessories

For 38630 - Power Max 828 LXE Snowthrower

Product Name	Model/Part
Tire Chain Kit .....	107-3813
Snow Cab .....	107-3814
Weight Kit .....	107-3815
28 Inch Drift Breaker .....	107-3817

# NOTES

