



Power Max 1128 OXE Snowthrower

Model No. 38650 - 290000001 and up.

Parts Catalog

Ordering Replacement Parts

To order replacement parts, please supply the part number, the quantity, and the description of each part desired.

Understanding Reference Numbers

Each identified part in an illustration has a reference number. The reference number for a part also appears in the parts list, along with other information about the part.

This catalog uses two special reference number formats, one to indicate parts in a service assembly and another to indicate the quantity of a given part in an illustration.

Service Assembly Reference Numbers

Parts in service assemblies have reference numbers in the form a:b. The a represents the reference number of the entire service assembly and the b represents a sequential number unique to each part within the service assembly.

For example, a wheel assembly might be identified by reference number 6, the tire by 6:1, the valve by 6:2, and the wheel by 6:3. When you order the assembly identified by reference number 6, you receive all parts identified by reference numbers 6:1, 6:2, and 6:3. However, you may also order any part individually. Reference numbers of this type appear in illustrations and in part lists.

Reference Numbers Indicating Quantity

In an illustration, if a reference number indicates more than one part, the reference number has the form nX y. The n represents the quantity of the part, the X is the multiplication symbol, and the y represents the reference number.

For example, in an illustration, the reference number 2X 37 means that two of the parts identified by reference number 37 are indicated.

Contents

Description	Page	Description	Page
Auger and Housing Assembly 3	Engine Assembly No. 1 Tecumseh OH318SA-221812B 14
28 Inch Auger Gearcase Assembly No. 108-7329 4	Engine Assembly No. 2 Tecumseh OH318SA-221812B 16
Chute Assembly 5	Carburetor Assembly No. 640169 Tecumseh OH318SA-221812B 18
Frame Assembly 6	Rewind Starter No. 590749 Tecumseh OH318SA-221812B 19
Handle Assembly 8	Recoil Starter Assembly No. 590733 (Optional) Tecumseh OH318SA-221812B 20
Handle and Control Assembly 9	Electric Starter Assembly No. 33329D Tecumseh OH318SA-221812B 21
Lever Chute Control Assembly 10	Attachments and Accessories List 22
Engine Assembly 11		
Wheel Clutch Assembly 12		
Wheel Clutch Sprocket Assembly 13		

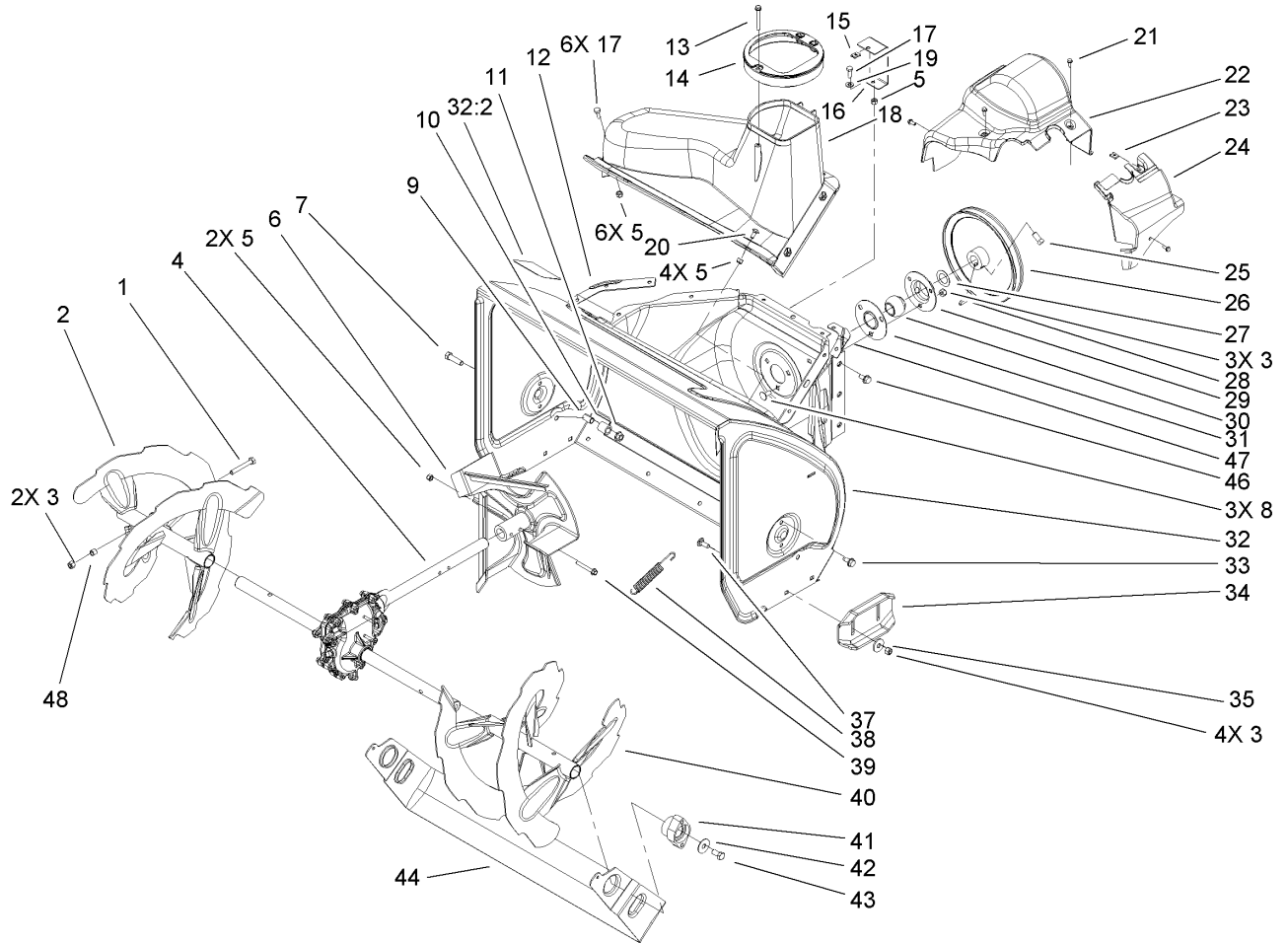
Part Description Abbreviations

Part descriptions in this catalog may include the following abbreviations.

AR. as required	HYD. hydraulic
ASM. assembly	LH. left hand
BBC. blade brake clutch	NI. nylon insert
CARR. carriage	NPTF. national pipe thread fine
DEG. degrees	PFH. phillips flat head
EXT. external	PPH. phillips pan head
FH. flat head	PPHTF. phillips pan head thread forming
GA. gauge	PRH. phillips round head
HD. heavy-duty	PTH. phillips truss head
HF. hex flange	PTO. power-take-off
HH. hex head	RH. right hand
HHF. hex head flange	ROPS. roll-over protection system
HHFTF. hex head flange thread forming	SFH. slotted fillister head
HJ. hex jam	SHH. slotted hex head
HLH. hex lag head	SHWH. slotted hex washer head
HOC. height-of-cut	SPH. slotted pan head
HSBH. hex socket button head	SQH. square head
HSFH. hex socket flat head	SRH. slotted round head
HSH. hex socket head	STD. standard
HWH. hex washer head	TAP. self tapping
HWHTF. hex washer head thread forming	TTH. torx truss head

Footnotes

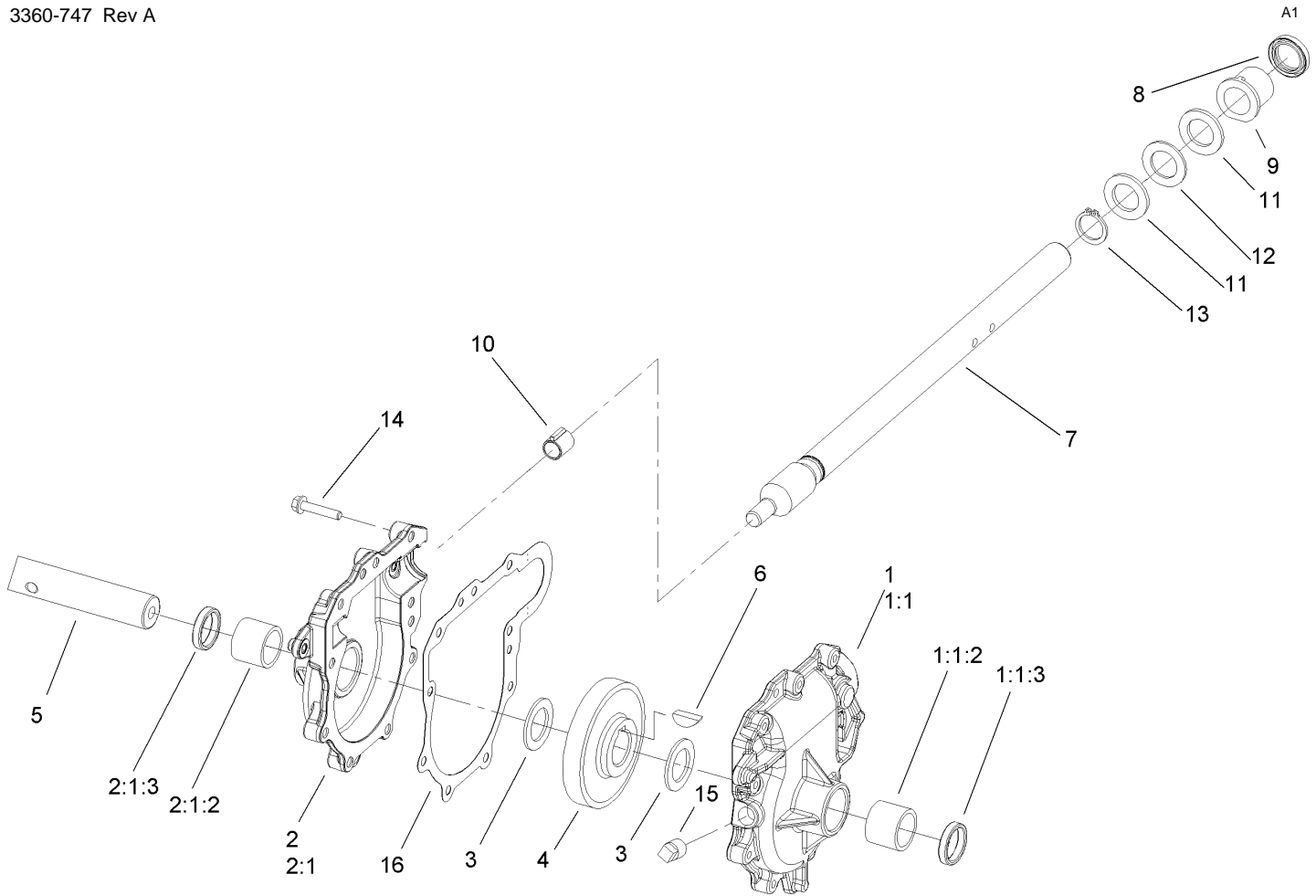
- ❶ Not illustrated
- ❷ Obtain from your local Tecumseh dealer
- ❸ Not serviced separately



Auger and Housing Assembly

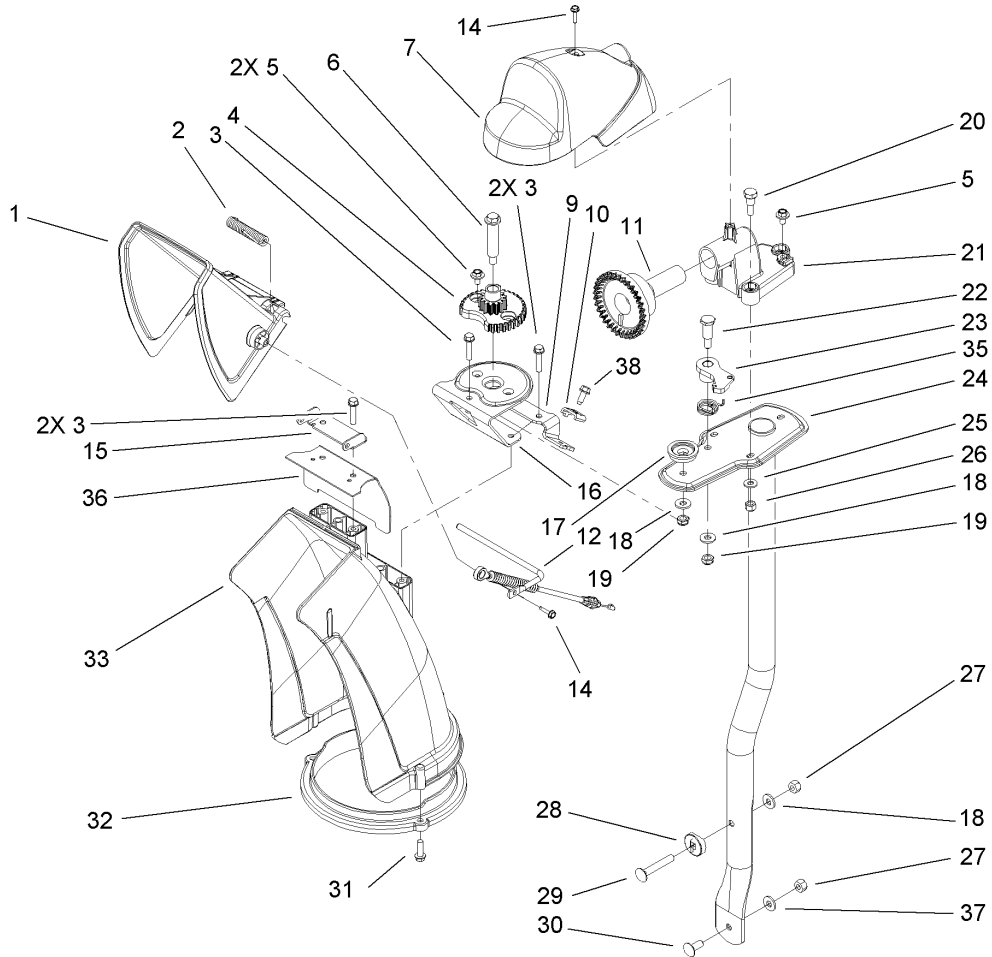
Ref	Part No.	Qty.	Description
1	322-11	2	Screw-HH
2	106-7291-03	1	Auger-RH
3	3296-29	9	Nut-Lock, NI
4	108-7329	1	28 Inch Auger Gearcase ASM
5	3296-42	13	Nut-Lock, NI
6	106-4576-03	1	Impeller ASM
7	323-29	2	Screw-HH
8	3230-23	3	Screw-CARR
9	106-4501	2	Spacer-Scraper, Stop
10	106-7318	2	Cushion-Scraper, Stop
11	32128-21	2	Nut-HF
12	107-1017-03	1	Seal-Flange, Cover
13	107-3003	1	Screw-Plastite
14	107-3006	1	Guide-Chute
15	107-1013	1	Nut-Speed, U-Type
16	107-1014-03	1	Bracket-Cover, Clip Nut
17	321-4	7	Screw-HH
18	108-0017	1	Cover
19	3256-22	1	Washer-Flat
20	3229-1	4	Screw-CARR
21	32144-112	4	Screw-HWH
22	107-1001	1	Cover-Belt
23	701493	1	Nut-Speed
24	107-1016	1	Cover-Extension, Belt

Ref	Part No.	Qty.	Description
25	3242-4	2	Screw-Set, SQH
26	62-1300	1	Pulley-Impeller
27	252-80	1	Washer-Thrust
28	3257-23	1	Key-Woodruff
29	26-6110	1	Flange-Cup, Bearing
30	63-3450	1	Bearing-Ball
31	26-6120	1	Flange-Cup, Bearing
32	107-3823	1	Housing-Auger, 28 Inch
32:2	53-7670	1	Decal-Warning, Auger
33	32144-70	4	Screw-HWHTF
34	106-4588-01	2	Skid
35	52-2861	4	Washer
37	3230-16	4	Screw-CARR
38	106-4502	2	Spring-Scraper
39	321-44	2	Screw-HHF
40	106-7301-03	1	LH Auger ASM
41	106-4570	2	Auger-Bearing
42	3-0750	2	Washer
43	323-4	2	Screw-HH
44	106-4590-01	1	Scraper-28 Inch, Pivoting
46	32144-14	6	Screw-HWHTF
47	108-0039-03	1	Seal
48	1-633545	2	Spacer



28 Inch Auger Gearcase Assembly No. 108-7329

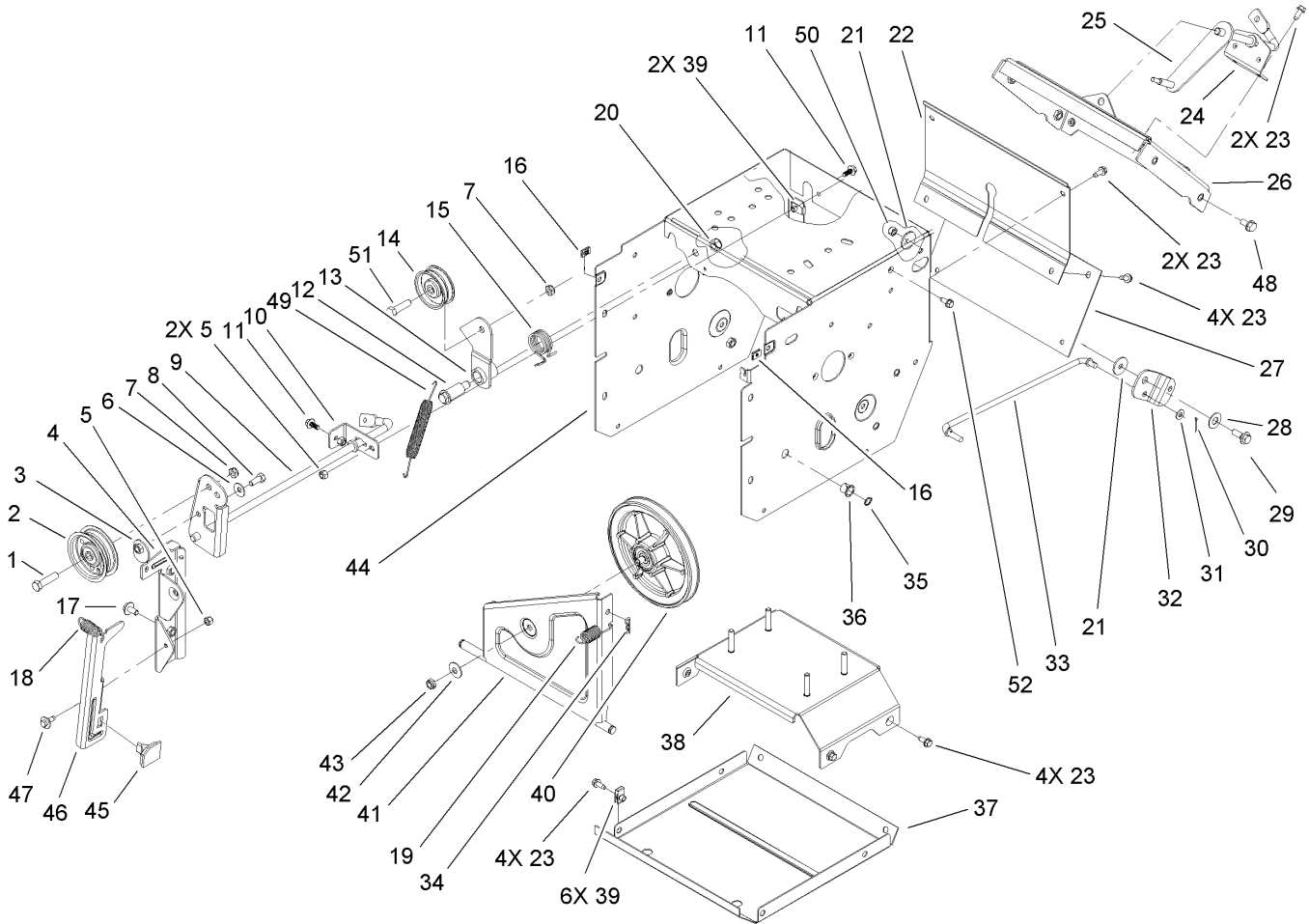
Ref	Part No.	Qty.	Description
1	108-7325	1	LH Auger Gearcase ASM
② 1:1		1	Gearcase-Auger, LH
1:1:2	112-6635	1	Bushing-Sleeve
1:1:3	7-0045	1	Seal-Oil
2	108-7327	1	RH Auger Gearcase ASM
② 2:1		1	Gearcase-Auger, RH
2:1:2	112-6635	1	Bushing-Sleeve
2:1:3	7-0045	1	Seal-Oil
3	252-71	2	Washer-Thrust
4	62-0120	1	Gear-Helical
5	106-4421	1	Shaft-Auger
6	3257-10	1	Key-Woodruff
7	66-7811	1	Shaft-Impeller
8	253-149	1	Seal-Oil
9	37-6560	1	Bushing-Input
10	62-1150	1	Bushing-Worm
11	252-78	2	Washer-Thrust
12	252-76	1	Bearing-Thrust
13	32151-33	1	Ring-Retaining, EXT
14	108-4862	9	Screw-HWHTF
15	281-1	1	Plug-Pipe, SQH
16	108-7330	1	Gasket-Gearcase, Auger



Chute Assembly

Ref	Part No.	Qty.	Description
1	112-6606	1	Deflector-Chute
2	106-4594	1	Spring-Torsion
3	46-8092	5	Screw-Plastite
4	106-4472	1	Gear-Chute
5	46-6810	3	Screw And Washer ASM
6	100-9880	1	Bolt-Shoulder
7	106-4585	1	Cover-Gear, Chute
9	106-7296	1	Bracket-Cable, Clamp
10	106-7297	1	Clamp-Cable
11	106-4471	1	Gear-Face
12	107-1021	1	Rod-Deflector
14	98-1375	2	Screw-HWH
15	106-7266	1	Bracket-Deflector
16	106-4582-03	1	Bracket-Support, Chute
17	106-4422	1	Spacer-Chute
18	3256-2	3	Washer-Flat
19	3296-47	2	Nut-Lock, NI
20	106-7276	3	Screw-Shoulder
21	106-7257	1	Mount-Gear, Face
22	63-2650	1	Screw-Shoulder
23	106-4476	1	Latch-Chute
24	106-7253-03	1	Tube-Support
25	3256-22	3	Washer-Flat
26	3296-42	3	Nut-Lock, NI

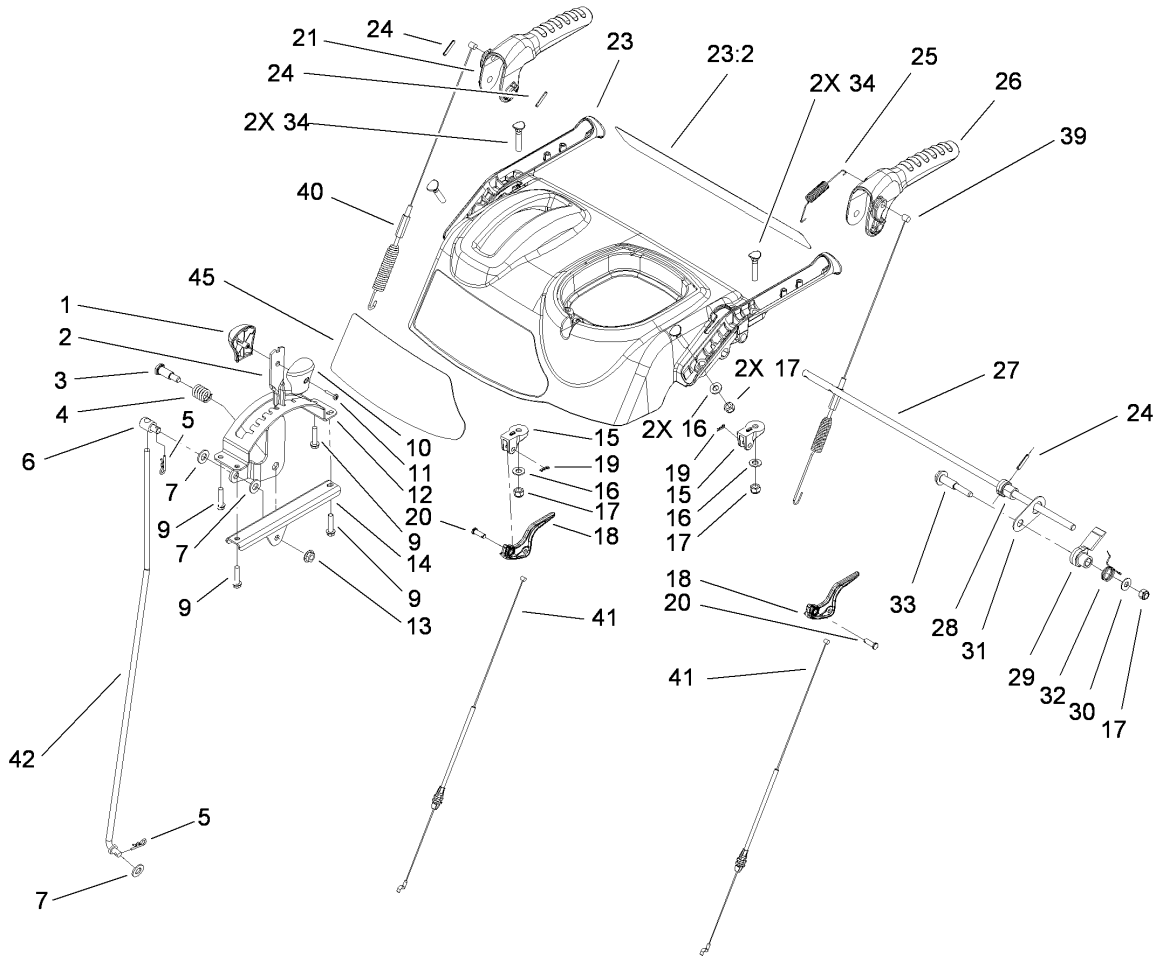
Ref	Part No.	Qty.	Description
27	3296-29	2	Nut-Lock, NI
28	106-7260	1	Washer-Curved
29	3230-5	1	Screw-CARR
30	3230-23	1	Screw-CARR
31	46-8091	3	Screw-HWH
32	105-9991	1	Ring-Chute
33	106-4440	1	Chute-Discharge
35	108-7315	1	Spring-Torsion
36	108-5052	1	Seal-Chute
37	3290-456	1	Washer-Belleville
38	32144-10	1	Screw-HWH



Frame Assembly

Ref	Part No.	Qty.	Description
1	323-8	1	Screw-HH
2	92-7104	1	Pulley-Idler
3	107-1047	1	Nut
4	107-1039	1	Bracket-Idler, Impeller
5	3296-42	3	Nut-Lock, NI
6	3290-456	1	Washer-Belleville
7	3296-59	2	Nut-Lock, NI
8	322-3	1	Screw-HH
9	107-3838-03	1	Impeller Clutch ASM
10	106-7341	1	Bracket-Rear, Clutch
11	99-6810	2	Screw-HH
12	108-5056	1	Bolt-Shoulder
13	108-5058	1	Arm-Idler, Traction
14	3-4244	1	Pulley-Idler
15	108-7332	1	Spring-Torsion
16	107-1013	2	Nut-Speed, U-Type
17	3234-7	2	Screw-HHF
18	107-3829	1	Spring-Extension
19	107-1003	1	Spring-Extension
20	3296-76	1	Nut-Lock, NI
21	5-4460	2	Washer-Pivot
22	108-0022-01	1	Cover-Upper
23	32144-10	16	Screw-HWH
24	108-0036	1	Bracket-Rod, Shift

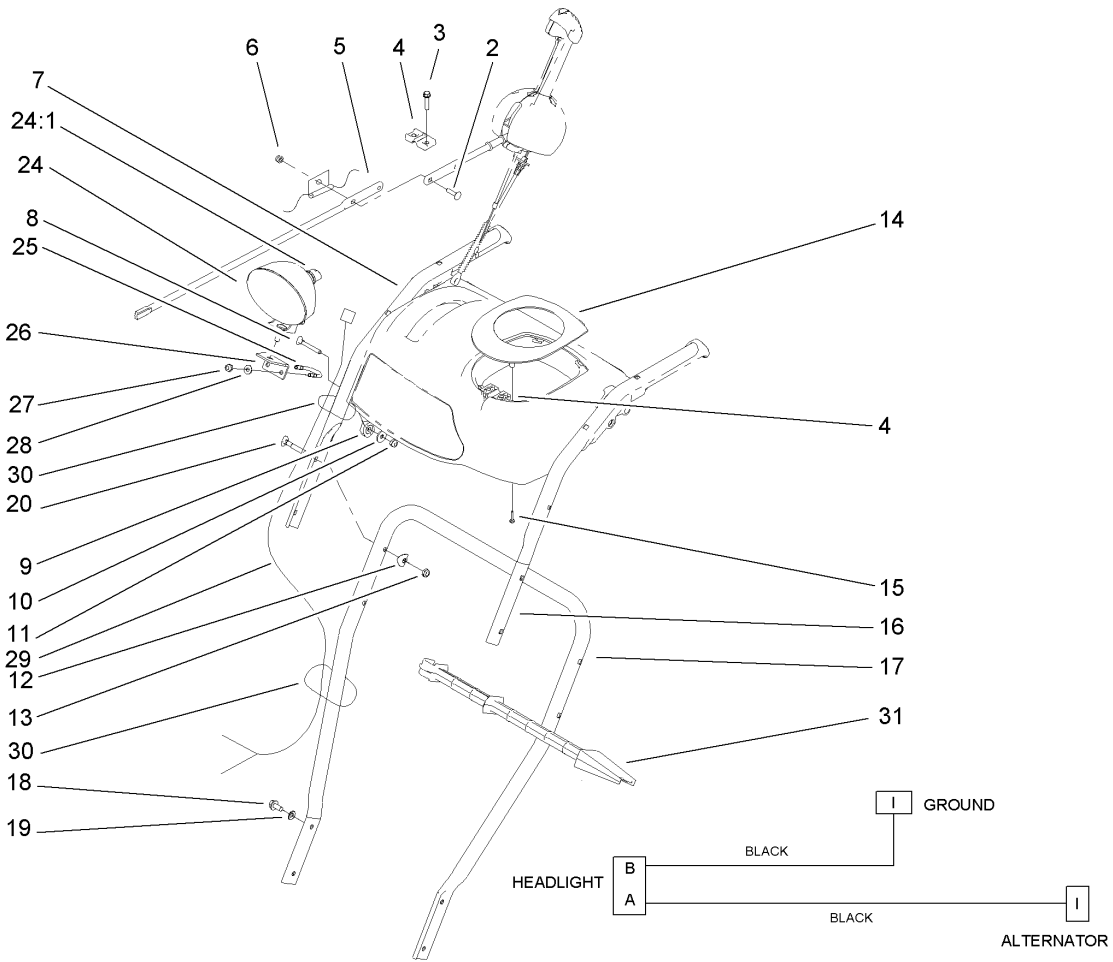
Ref	Part No.	Qty.	Description
25	106-7268	1	Lever-Control, Traction
26	108-0026-01	1	Shift Plate ASM
27	106-7345-01	1	Cover-Lower
28	25-5640	1	Washer
29	27-0410	1	Screw-Shoulder
30	3272-4	1	Pin-Cotter
31	3256-23	1	Washer-Flat
32	107-1011	1	Bellcrank-Drive
33	106-4467	1	Link-Control, Speed
34	3290-307	1	Pin-Hair
35	32151-61	2	Ring-Retaining
36	256-257	2	Bushing-Nyliner
37	106-7330-01	1	Pan-Bottom
38	106-7315	1	Brace Frame ASM
39	107069	8	Clip
40	108-0031	1	Traction Pulley ASM
41	108-7307	1	Friction Wheel Bracket ASM
42	3290-340	1	Washer-Belleville
43	3296-5	1	Nut-Lock
44	114-9259-01	1	Traction Frame ASM
45	66-8060	1	Pad-Brake
46	107-1000	1	Arm-Brake
47	92-9698	1	Screw-Shoulder
48	32144-14	4	Screw-HWHTF



Handle Assembly

Ref	Part No.	Qty.	Description
1	106-4423	1	Knob-Shift, RH
2	106-7278-03	1	Selector-Speed
3	63-2650	1	Screw-Shoulder
4	108-7313	1	Spring-Compression
5	3290-307	2	Pin-Hair
6	110-3446	1	Trunion-Rod
7	3256-24	3	Washer-Flat
9	46-8092	4	Screw-Plastite
10	105-9999	1	Knob-Shift, LH
11	94-4496	1	Screw-PPH
12	106-7277-03	1	Guide-Selector, Speed
13	32128-13	1	Nut-HF
14	106-7279-03	1	Mount-Selector, Speed
15	105-9980	2	Mount-Clutch, Lever
16	3256-70	4	Washer-Flat
17	3296-72	5	Nut-Lock, NI
18	106-4505	2	Lever-Clutch
19	108-2992	2	Pin-Hair
20	1-808265	2	Pin-Clevis
21	106-4413	1	Lever-Auger
23	112-6632	1	Control Panel ASM
23:2	112-6622	1	Decal-Control Panel, Back
24	32121-125	3	Pin-Spring
25	107-3001	1	Spring-Tension

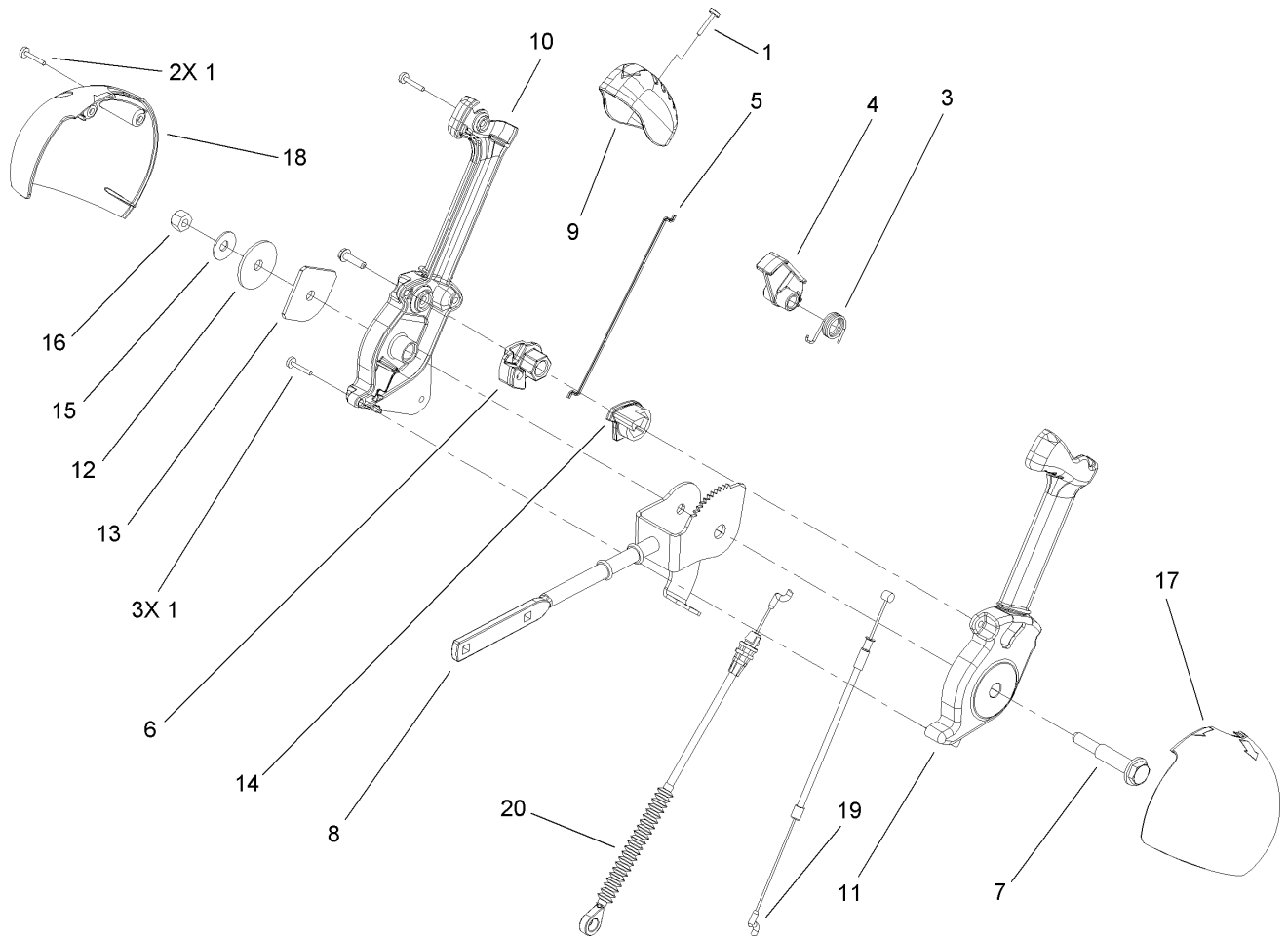
Ref	Part No.	Qty.	Description
26	106-4410	1	Lever-Traction
27	105-9996	1	Rod-Lockout
28	107-1043	1	Cam-Lockout
29	108-0023	1	Latch-Lockout
30	98-3499	1	Washer-Flat
31	107-3000	1	Link-Lockout
32	108-0024	1	Spring-Torsion
33	106-4412	1	Screw-Shoulder
34	107-3018	4	Screw-Handle
39	115-5671	1	Cable-Traction
40	115-5685	1	Cable-Auger
41	107-8896	2	Cable-Clutch
42	107-1005	1	Rod-Shift
45	108-2962	1	Decal



Handle and Control Assembly

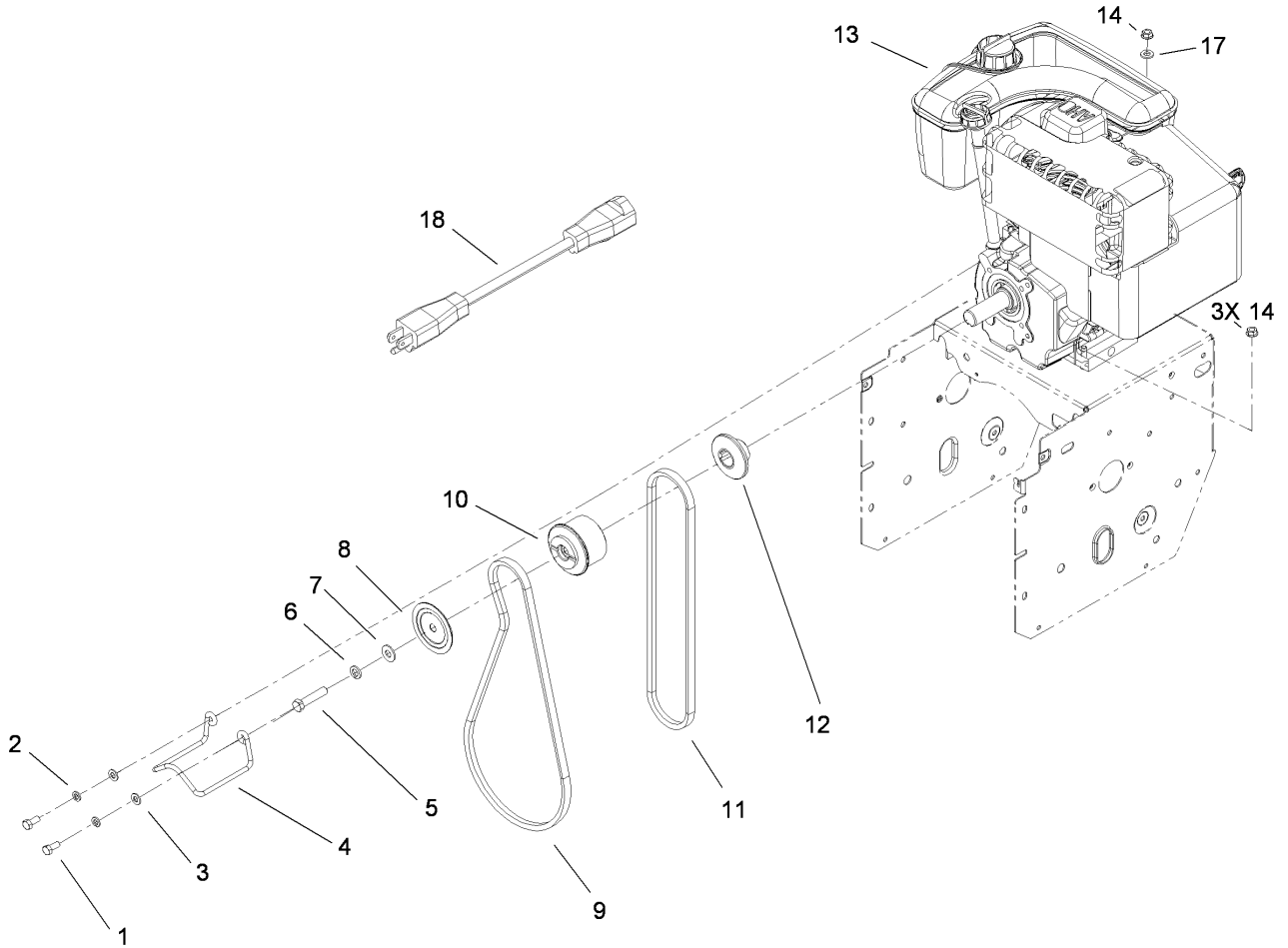
Ref	Part No.	Qty.	Description
2	3229-30	2	Screw-CARR
3	46-8092	2	Screw-Plastite
4	105-9987	2	Support-Rod
5	106-7283	1	Rod-Chute, Front
6	3296-73	2	Nut-Lock, NI
7	108-0038-03	1	Handle-Upper, RH
8	95-4453	2	Screw
9	106-4509	2	Clamp-Cable
10	87-6630	2	Washer-Plain
11	3296-73	2	Nut-Lock, NI
12	107-3844	4	Washer
13	3296-72	4	Nut-Lock, NI
14	106-4586	1	Cover-Panel, Control
15	94-4496	2	Screw-PPH
16	108-0037-03	1	Handle-Upper, LH
17	105-9981-03	1	Handle-Lower
18	32144-14	4	Screw-HWHTF
19	3290-475	4	Washer-Belleville
20	92-2260	4	Screw-Handle
24	106-4510	1	Headlamp ASM
24:1	108-0008	1	Lamp-12 Volt
25	107-3024	1	Clamp
26	107-1020-03	1	Bracket-Light
27	3296-73	2	Nut-Lock, NI

Ref	Part No.	Qty.	Description
28	3256-1	2	Washer-Flat
29	106-4511	1	Harness-Wire
30	614249	2	Strap-Tie
31	110-3408	1	Stick-Cleanout



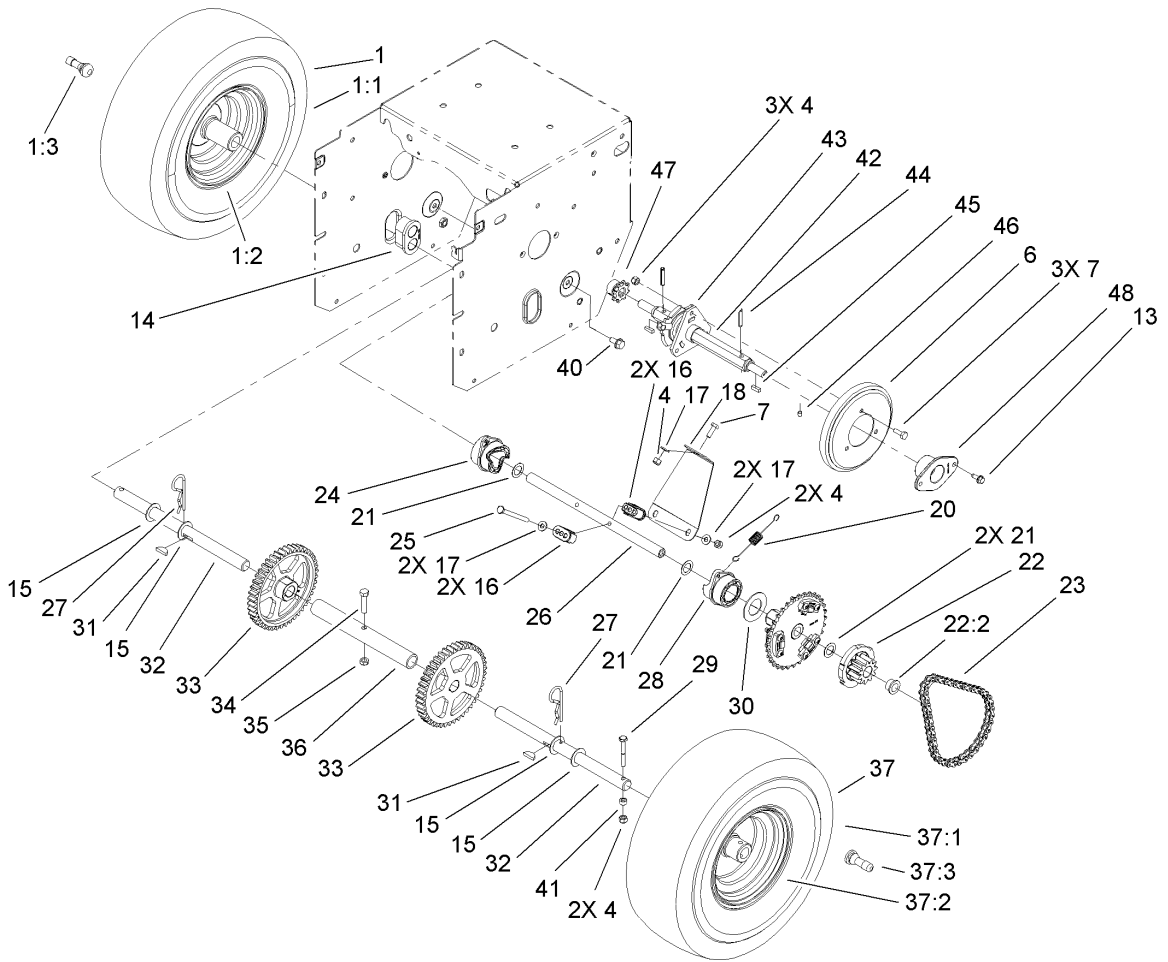
Lever Chute Control Assembly

Ref	Part No.	Qty.	Description
1	94-4496	6	Screw-PPH
3	105-9982	1	Spring-Torsion
4	105-9984	1	Trigger-Latch
5	105-9985	1	Link-Latch
6	105-9988	1	Lever-Cable, Deflector
7	105-9995	1	Screw-Shoulder
8	106-4479	1	Rod-Control, Chute
9	106-7280	1	Cap-Lever
10	106-7281	1	Lever-Chute Control, RH
11	106-7282	1	Lever-Chute Control, LH
12	107-3002	1	Washer-Nylon
13	106-7295	1	Plate-Friction
14	106-7310	1	Pawl-Latch
15	3290-456	1	Washer-Belleville
16	3296-29	1	Nut-Lock, NI
17	105-9986	1	Cover-Chute Lever, LH
18	106-7292	1	Cover-Chute Lever, RH
19	105-9989	1	Cable-Release, Chute
20	105-9990	1	Cable-Control, Deflector



Engine Assembly

Ref	Part No.	Qty.	Description
1	3210-3	2	Screw-HH
2	3253-4	2	Washer-Lock
3	3256-23	2	Washer-Flat
4	107-3835	1	Guide-Belt
5	3212-8	1	Screw-HH
6	3253-6	1	Washer-Lock
7	3256-4	1	Washer-Flat
8	62-0940	1	Sheave-Half, Impeller
9	106-4498	1	Belt-V
10	106-7333	1	Pulley-Engine, Center
11	94-8812	1	V Belt-Traction
12	106-7334	1	Sheave-Half, Traction
13		1	Engine-Tecumseh, Oh318Sa-221812B
14	32128-20	4	Nut-HF
17	3256-2	1	Washer-Flat
18	99-9300	1	Cord-Extension



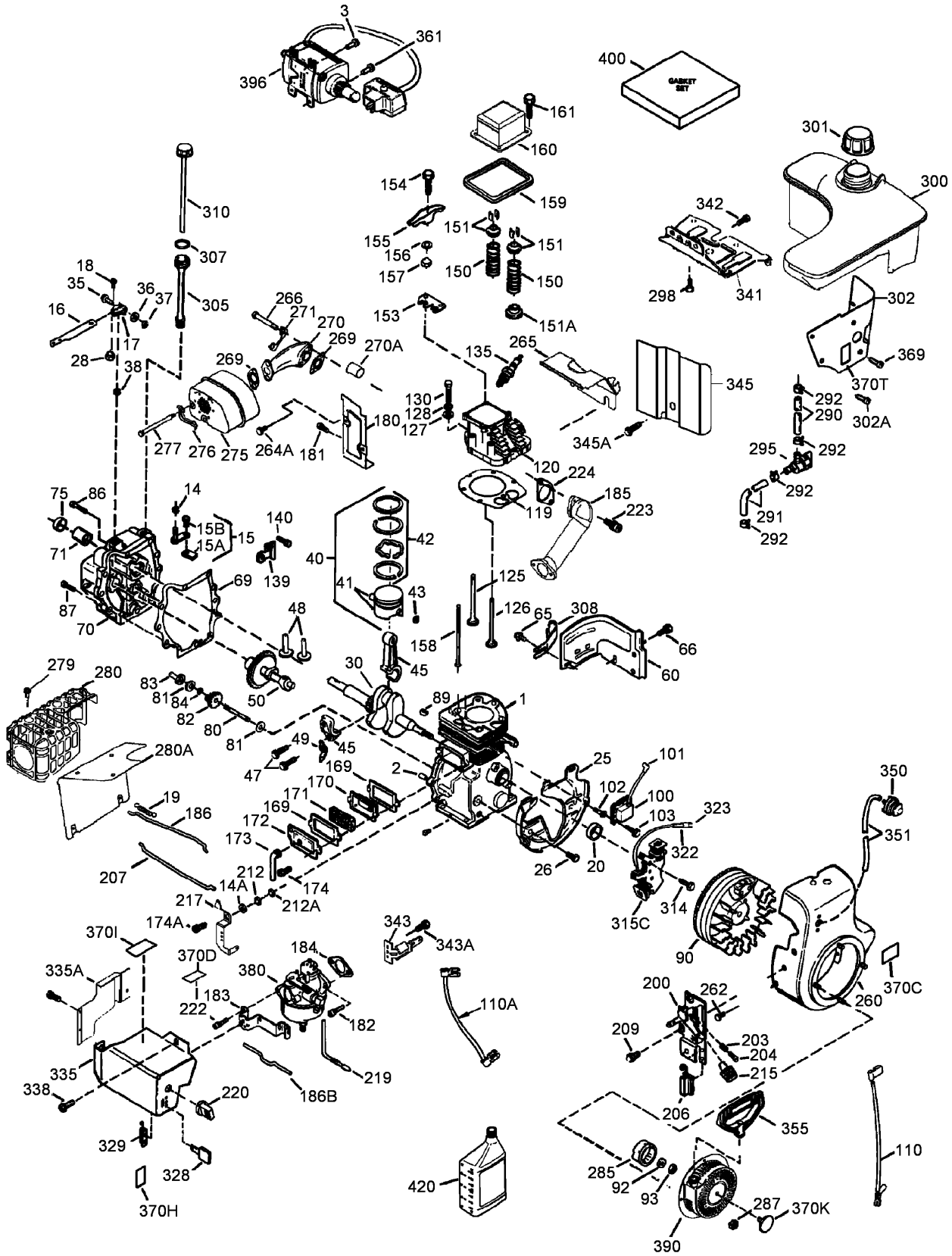
Wheel Clutch Assembly

Ref	Part No.	Qty.	Description
② 1		1	RH Wheel And Tire ASM
1:1	107-3042	1	Tire
1:2	107-3043	1	Rim-Tire
1:3	232-27	1	Stem-Valve
4	3296-42	8	Nut-Lock, NI
6	106-4480	1	Wheel-Friction
7	321-4	4	Screw-HH
13	32144-10	4	Screw-HWH
14	106-4558	2	Bearing-Axle
15	3-8664	4	Washer-Thrust
16	107-8889	4	Guide-Collar
17	3256-22	5	Washer-Flat
18	107-8892-03	1	Brace-Collar, Shift
20	107-8893	2	Spring-Extension
21	108-0015	4	Washer-Flat
22	107-8894	2	11T Gear ASM
22:2	108-2973	2	Bushing-Flange
23	108-0016	2	Chain-Roller
23	2710-6	2	Link-Connecting
24	107-8888	1	Collar-Shift, RH
25	321-23	2	Screw-HH
26	107-8883	1	Shaft-Intermediate
27	3290-343	2	Pin-Hair
28	107-8887	1	Collar-Shift, LH

Ref	Part No.	Qty.	Description
29	108-2975	2	Screw-HH
30	107-8891	2	Washer-Thrust
31	3257-7	2	Key-Woodruff
32	107-8898	2	Shaft-Axle
33	106-4572	2	Gear-Axle, 44 Tooth
34	322-17	1	Screw-HH
35	3296-47	1	Nut-Lock, NI
36	106-7259	1	Tube-Axle
② 37		1	LH Wheel And Tire ASM
37:1	107-3042	1	Tire
37:2	107-3043	1	Rim-Tire
37:3	232-27	1	Stem-Valve
40	32144-14	2	Screw-HWHTF
41	55-9370	2	Spacer-Blade, Rotor
42	108-7314	1	Shaft-Hex
43	106-4434	1	Trunion-Hex
44	32121-9	2	Pin-Roll, Slotted
45	94-8850	2	Key-Square
46	3245-32	4	Screw-HSH
47	106-7317	2	Sprocket-8 Tooth
48	108-7319	2	Retainer-Bearing

Engine Assembly No. 1

Tecumseh OH318SA-221812B



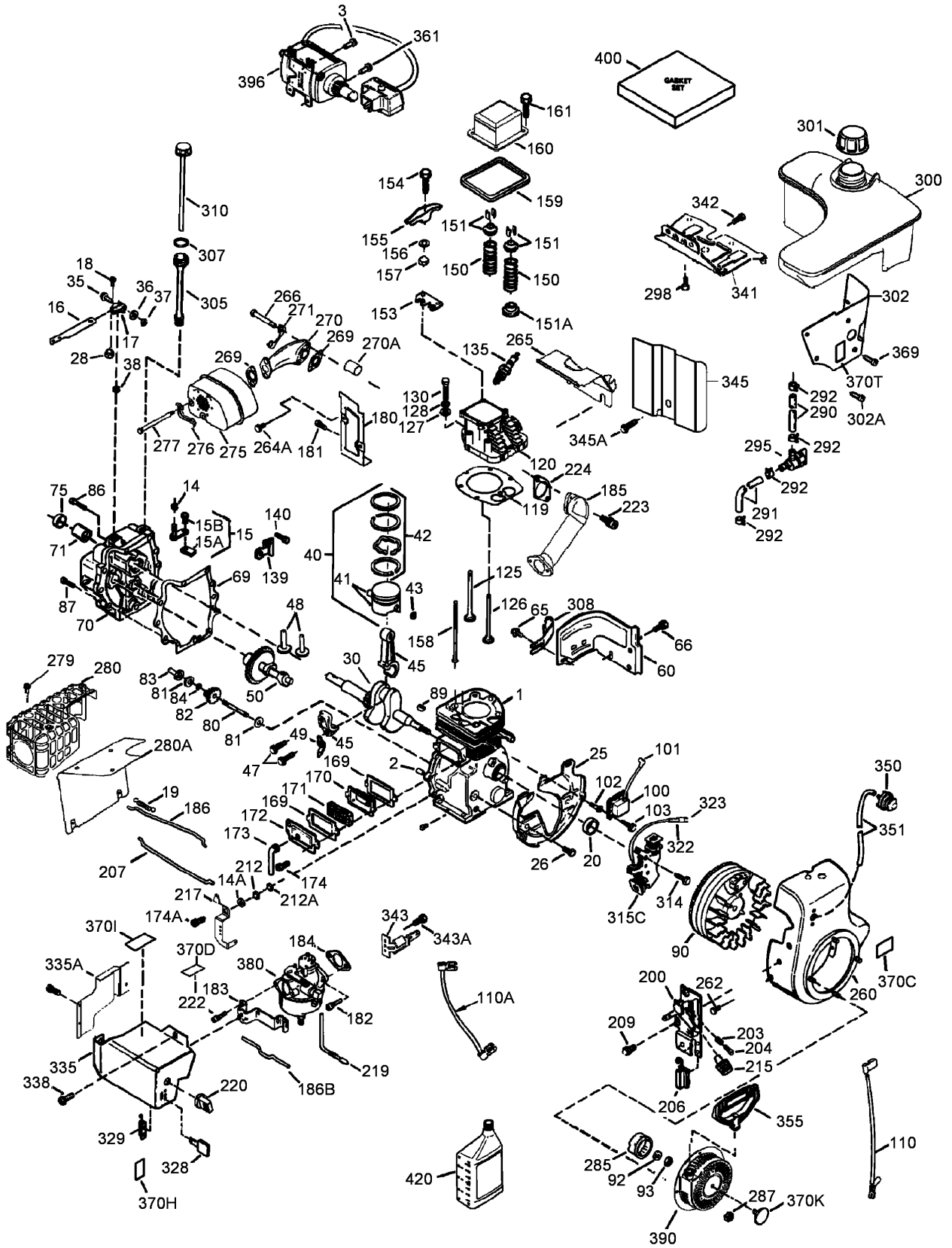
Engine Assembly No. 1

Tecumseh OH318SA-221812B

Ref	Part No.	Qty.	Description	Ref	Part No.	Qty.	Description
①1	37251	1	Cylinder (Includes 2, 20)	①89	32589	1	Key-Flywheel
①2	27652	2	Pin-Dowel	①90	611093	1	Flywheel ASM
①3	650820	2	Screw (1/4-20X1/2)	①92	650880	1	Washer-Belleville
①14	28277	1	Washer-Flat	①93	650881	1	Nut-Flywheel
①14A	651057	1	Washer	①100	35135A	1	Ignition-State, Solid (Includes 101)
①15	30699C	1	Rod-Governor (Includes 15A, 15B)	①101	610118	1	Cover-Spark Plug
①15A	30700	1	Yoke-Governor	①102	651024	2	Stud-Mounting, Solid State
①15B	650494	1	Screw (6-40X5/16)	①103	651007	2	Screw (T-15, 10-24 X 15/16)
①16	37255A	1	Lever-Governor (Includes 212A)	①110	35187	1	Wire-Ground
①17	29916	1	Clamp-Lever, Governor	①110A	37047	1	Wire-Ground
①18	651028	1	Screw (T-15, 8-32X7/16)	①119	37256	1	Gasket-Head, Cylinder
①19	36281	1	Spring-Extension	①120	37516	1	Head-Cylinder (Includes 151A, 270A)
①20	35319	1	Seal-Oil	①125	36934	1	Valve-Exhaust (STD)
①25	37853	1	Baffle-Housing, Blower	①125	36936	1	Valve-Exhaust (1/32)
①26	650561	2	Screw (1/4-20X19/32)	①126	36935	1	Valve-Intake (STD)
①28	30322	1	Nut-Lock (8-32)	①127	650691	6	Washer-Flat
①30	37272	1	Crankshaft	①128	650690	6	Washer-Belleville
①35	29826	1	Screw (10-32X3/4)	①130	650697A	6	Screw (5/16-18 X 2-1/2)
①36	29918	1	Washer-Lock (8)	①135	34645	1	Spark Plug-Resistor (R N 4C)
①37	29216	1	Nut-Lock (10-32)	①139	33369	1	Bracket-Gear, Governor
①38	29642	1	Ring-Retaining	①140	650836	1	Screw (10-24X1/2)
①40	40011	1	Piston-Pin And Ring Set (STD)	①150	33507	2	Spring-Valve
①40	40012	1	Piston- Pin And Ring Set (.010 O S)	①151	33508	2	Keeper-Spring, Valve
①41	40009	1	Piston And Pin ASM (STD) (Includes 43)	①151A	35862	1	Cap-Spring, Valve
①41	40010	1	Piston And Pin ASM (.010In Os) (Includes 43)	①153	35949	1	Guide-Rod, Push
①42	40013	1	Ring Set (STD)	①154	651105	2	Stud-Arm, Rocker
①42	40014	1	Ring Set (.010 O S)	①155	35950	2	Arm-Rocker
①43	27888	2	Ring-Retaining, Piston Pin	①156	37843	2	Bearing-Arm, Rocker
①45	36897	1	Connecting Rod ASM (Includes 47, 49)	①157	650586	2	Nut-Jam (5/16-24)
①47	651033	2	Bolt-Rod, Connecting	①158	35466	2	Rod-Push
①48	35313	2	Lifter-Valve	①159	35952	1	Gasket-Cover, Rocker Arm
①49	36896	1	Dipper-Oil	①160	35953A	1	Cover-Arm, Rocker
①50	37517	1	Camshaft (Mcr)	①161	30063	4	Screw (T-30, 1/4-20X1/2)
①60	35316A	1	Extension-Housing, Blower	①169	27896A	2	Gasket-Cover, Valve
①65	30200	1	Screw (10-24 X 9/16)	①170	28423	1	Body-Breather
①66	30063	1	Screw (T-30, 1/4-20X1/2)	①171	28424	1	Element-Breather
①69	37342	1	Gasket-Cover, Cylinder	①172	28425	1	Cover-Valve
①70	37847	1	Cover-Cylinder (Includes 71, 75, 80-84)	①173	35350	1	Tube-Breather
①71	35377	1	Bushing-Crankshaft	①174	650128	2	Screw (10-24X1/2)
①75	35319	1	Seal-Oil	①174A	651056	1	Screw (10-24 X 29/32)
①80	37587	1	Shaft-Governor	①180	37101	1	Extension-Housing, Blower
①81	651080	1	Washer	①181	30200	2	Screw (10-24 X 9/16)
①82	37588	1	Governor Gear ASM (Includes 81)	①182	650517	2	Screw (T-30, 1/4-20 X 27-32)
①83	30588A	1	Spool-Governor	①183	34583A	1	Bracket-Choke
①84	29193	1	Ring-Retaining	①184	33263	1	Gasket-Carburetor To Intake Pipe
①86	650833	7	Screw (1/4-20X1-3/16)				
①87	650832	1	Screw (1/4-20X1-11/16)				

Engine Assembly No. 2

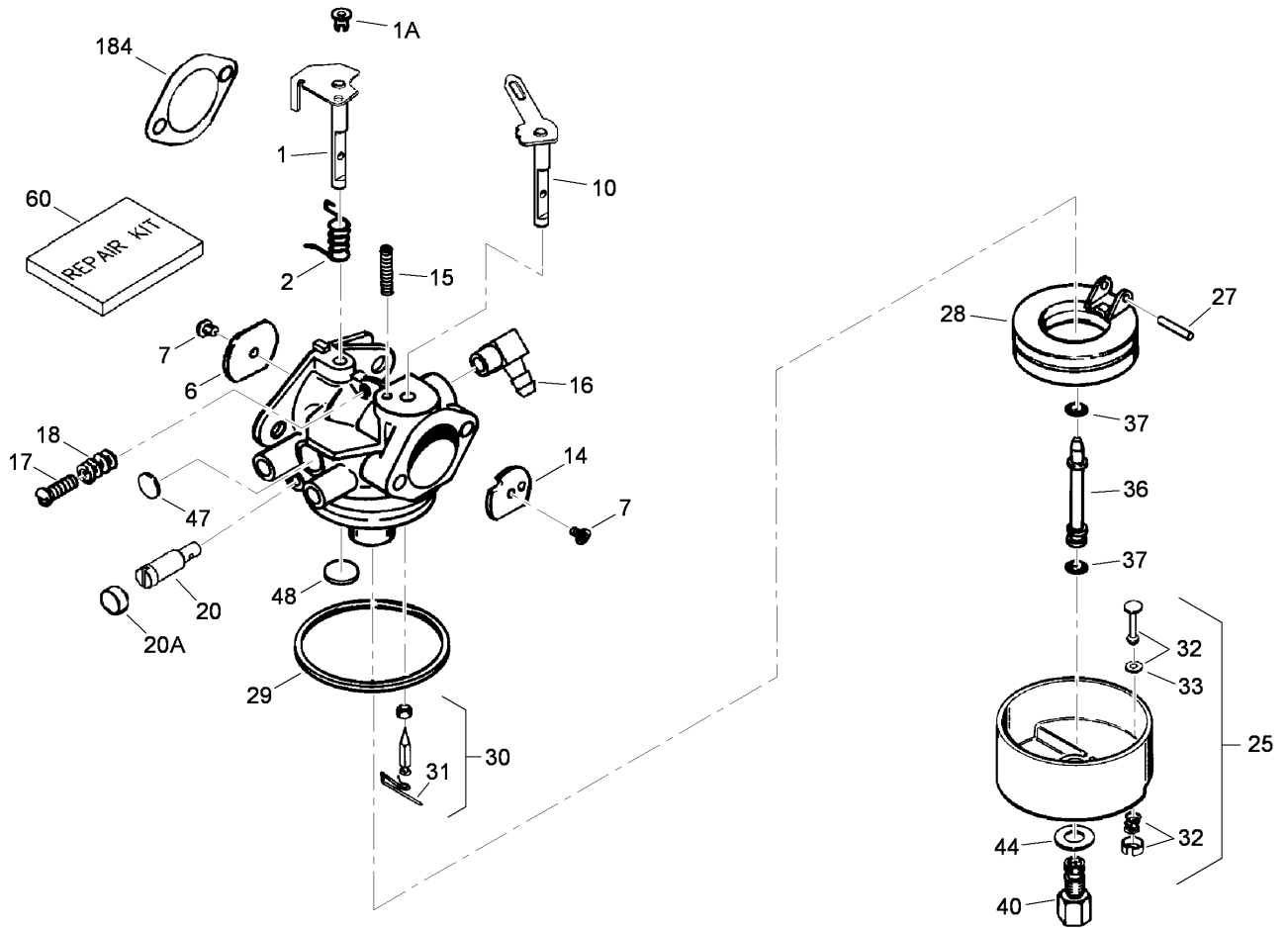
Tecumseh OH318SA-221812B



Engine Assembly No. 2

Tecumseh OH318SA-221812B

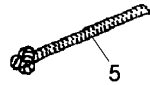
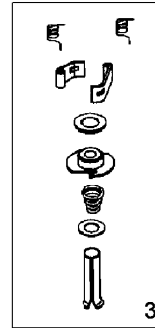
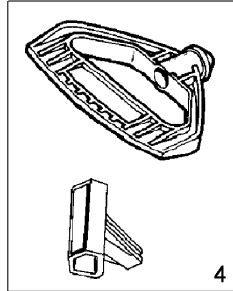
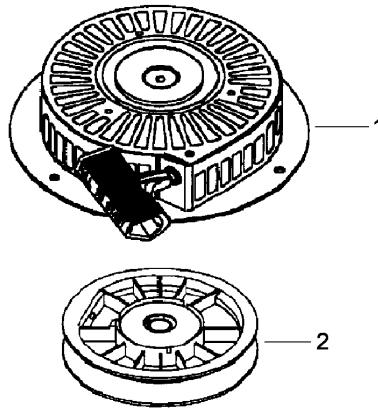
Ref	Part No.	Qty.	Description	Ref	Part No.	Qty.	Description
③185	37085	1	Pipe-Intake	③315C	611111	1	Coil-Alternator, 18 Watt (Includes 322, 323)
③186	37860	1	Link-Governor	③322	611117	1	Body-Connector
③186B	36653	1	Spring-Choke	③323	611118	1	Terminal
③200	35702	1	Bracket-Control (Includes 203, 204, 206)	③328	35062	2	Key-Ignition
③203	31342	1	Spring-Compression	③329	610973	1	Terminal
③204	651029	1	Screw (T-10, 5-40X7/16)	③335	37096	1	Cover-Carburetor, Front
③206	610973	1	Terminal	③335A	37087	1	Cover-Carburetor
③207	37262	1	Link-Throttle	③338	650821	4	Screw (10-32 X 1/2)
③209	650821	2	Screw (10-32 X 1/2)	③341	37093	1	Bracket-Tank, Fuel
③212	30773A	1	Bushing	③342	792028	2	Switch-Pressure, Oil
③212A	36288	1	Bushing	③343	35079A	1	Bracket-Switch, Key (Includes 343A)
③215	35440	1	Knob-Control	③343A	651060	1	Screw (8-32 X 23/64)
③217	37260	1	Lever-Bellcrank	③345	37097	1	Baffle-Heat
③219	35689	1	Rod-Choke	③345A	650821	1	Screw (10-32 X 1/2)
③220	35438	1	Knob-Control	③350	570682A	1	Primer ASM
③222	28820	2	Screw (10-32 X 1/2)	③351	32180C	1	Line-Primer
③223	650971	2	Screw (T-30, 5/16-18 X 7/8)	③355	590574	1	Handle-Starter, Mitten Grip
③224	33515A	1	Gasket-Pipe	③361	650990	2	Screw (T-30, 1/4-20X15/32)
③260	37092A	1	Housing-Blower	③369	651032	2	Screw (12-16 X 5/8)
③262	651084	2	Screw (5/16-18X9/16)	③370C	36501	1	Decal-Primer, International Symbol
③264A	650738	1	Screw (1/4-20 X 5/8)	③370D	36534	1	Decal-Instruction
③265	37086	1	Cover-Head, Cylinder	③370H	37226	1	Decal-Choke
③266	650876	2	Screw (5/16-18 X 1-9/32)	③370I	37119	1	Decal-Warning (Bilingual)
③269	35762	2	Gasket-Manifold, Exhaust	③370K	36695	1	Decal-Tecumseh Logo For Top Of Recoil Starter
③270	37263	1	Manifold, Exhaust	③370T	36906	1	Decal-Starter, Electric
③270A	35829A	1	Liner-Port, Exhaust	③380	640169	1	Carburetor (Includes 184)
③271	35293	1	Plate-Locking	③390	590749	1	Starter-Rewind
③275	37264	1	Muffler	③396	33329D	1	Starter-Electric (110 Volt)
③276	35348	1	Plate-Locking	③400	37257A	1	Gasket Set (Includes 69, 119, 159, 169, 184, 224, 269)
③277	650877	2	Screw (5/16-18 X 4-1/2)	③420	730226A	1	Oil-Engine, S A E 5W30
③279	651011	4	Screw	①③	911306C	1	Engine-Replacement
③280	37265	1	Shield-Heat	①③	756339C	1	Shortblock
③280A	37879	1	Baffle-Restrictor, Air				
③285	35985C	1	Cup-Starter				
③287	29752	4	Nut And Lock Washer (1/4-28)				
③290	30962	1	Line-Fuel				
③291	29774	1	Line-Fuel (8.62)				
③292	26460	4	Clamp-Line, Fuel				
③295	35857	1	Valve-Shut Off, Fuel (Includes 292)				
③298	650665	2	Screw (1/4-15X7/8)				
③300	37099A	1	Tank-Fuel (Includes 292, 301)				
③301	37844	1	Cap-Fuel (Black) (1-1/2 I D)				
③302	37098	1	Extension-Tank, Fuel				
③302A	650821	3	Screw (10-32 X 1/2)				
③305	35574	1	Tube-Fill, Oil				
③307	35499	1	O-Ring				
③308	35539	1	Clip-Tube, Fill				
③310	35700	1	Dipstick				
③314	650873	1	Screw (1/4-20 X 3/4)				



Carburetor Assembly No. 640169 Tecumseh OH318SA-221812B

Ref	Part No.	Qty.	Description
❶	632777	1	Throttle Shaft And Lever ASM
❶1A	36288	1	Bushing
❷	631970	1	Spring-Return, Throttle
❸	640109	1	Shutter-Throttle
❹	650506	2	Screw-Shutter
❺	632778	1	Choke Shaft And Lever ASM
❻	632189	1	Shutter-Choke
❼	630735	1	Spring-Positioning, Choke
❽	632527	1	Fitting-Fuel
❾	651025	1	Screw-Throttle Crack And Idle Speed
❿	630766	1	Spring-Tension
⓫	640027	1	Screw-Restrictor, Idle
⓫A	640053	1	Cap-Screw, Idle Restrictor
⓬	632594A	1	Float Bowl ASM (Includes 32, 33)
⓬	631024	1	Shaft-Float
⓬	632802	1	Float (Plastic)
⓬	631028	1	O Ring-Bowl, Float
⓬	631021	1	Seat And Clip-Inlet Needle (Includes 31)
⓬	631022	1	Clip-Spring
⓬	27136A	1	Bowl Drain ASM
⓬	27554	1	Gasket-Plunger, Drain
⓬	640013	1	Tube-Nozzle, Main

Ref	Part No.	Qty.	Description
❸	632547	2	O-Ring
❿	640170	1	Nut-Bowl, High Speed
⓫	27110A	1	Washer-Nut, Bowl
⓬	630748	1	Plug-Welch, Idle Mixture Well
⓬	631027	1	Plug-Welch, Atmospheric Vent
⓬	632760	1	Repair Kit (Includes 7, 27, 29, 30, 37, 47, 48)
⓬	33263	1	Gasket-Carburetor To Intake Pipe



This illustration may not depict actual equipment and is for reference purposes only

Rewind Starter No. 590749 Tecumseh OH318SA-221812B

Ref	Part No.	Qty.	Description
1	590749	1	Starter-Rewind
2	590682	1	Pulley And Rewind Spring ASM
3	590773	1	Repair Kit
4	590574	0	Handle-Starter, Mitten Grip (Also Available In Packaged Part #740053B)
5	590535	1	Rope-Starter (98 Cut To Length)

Attachments and Accessories

For 38650 - Power Max 1128 OXE Snowthrower

Product Name	Model/Part
Tire Chain Kit	107-3813
Snow Cab	107-3814
Weight Kit	107-3815
28 Inch Drift Breaker	107-3817

NOTES

