



Power Max 826 0 Snowthrower

Model No. 38597 - 290000001 and up.

Parts Catalog

Ordering Replacement Parts

To order replacement parts, please supply the part number, the quantity, and the description of each part desired.

Understanding Reference Numbers

Each identified part in an illustration has a reference number. The reference number for a part also appears in the parts list, along with other information about the part.

This catalog uses two special reference number formats, one to indicate parts in a service assembly and another to indicate the quantity of a given part in an illustration.

Service Assembly Reference Numbers

Parts in service assemblies have reference numbers in the form a:b. The a represents the reference number of the entire service assembly and the b represents a sequential number unique to each part within the service assembly.

For example, a wheel assembly might be identified by reference number 6, the tire by 6:1, the valve by 6:2, and the wheel by 6:3. When you order the assembly identified by reference number 6, you receive all parts identified by reference numbers 6:1, 6:2, and 6:3. However, you may also order any part individually. Reference numbers of this type appear in illustrations and in part lists.

Reference Numbers Indicating Quantity

In an illustration, if a reference number indicates more than one part, the reference number has the form nX y. The n represents the quantity of the part, the X is the multiplication symbol, and the y represents the reference number.

For example, in an illustration, the reference number 2X 37 means that two of the parts identified by reference number 37 are indicated.

Contents

| Description | Page | Description | Page |
|--|----------|--|----------|
| Auger and Housing Assembly | 3 | Crankcase Assembly Briggs and Stratton 15D102-0111-E1 | 16 |
| 26 Inch Auger Gearcase Assembly No. 108-7328 | 4 | Carburetor Assembly Briggs and Stratton 15D102-0111-E1 | 17 |
| Chute Assembly | 5 | Muffler and Fuel Tank Assembly Briggs and Stratton 15D102-0111-E1 | 18 |
| Frame Assembly | 6 | Governor Assembly Briggs and Stratton 15D102-0111-E1 | 19 |
| Chain Drive Assembly | 8 | Shroud Assembly Briggs and Stratton 15D102-0111-E1 | 20 |
| Handle and Control Assembly | 9 | Blower Housing Assembly Briggs and Stratton 15D102-0111-E1 | 21 |
| Handle Assembly | 10 | Rewind Starter Assembly Briggs and Stratton 15D102-0111-E1 | 22 |
| Lever Chute Control Assembly | 11 | Gasket Kit Briggs and Stratton 15D102-0111- E1 | 23 |
| Engine Assembly | 12 | Carburetor Overhaul Kit Briggs and Stratton 15D102-0111-E1 | 24 |
| Cylinder Assembly Briggs and Stratton 15D102-0111-E1 | 13 | Attachments and Accessories List | 25 |
| Cylinder Head Assembly Briggs and Stratton 15D102-0111-E1 | 14 | | |
| Crankshaft Assembly Briggs and Stratton 15D102-0111-E1 | 15 | | |

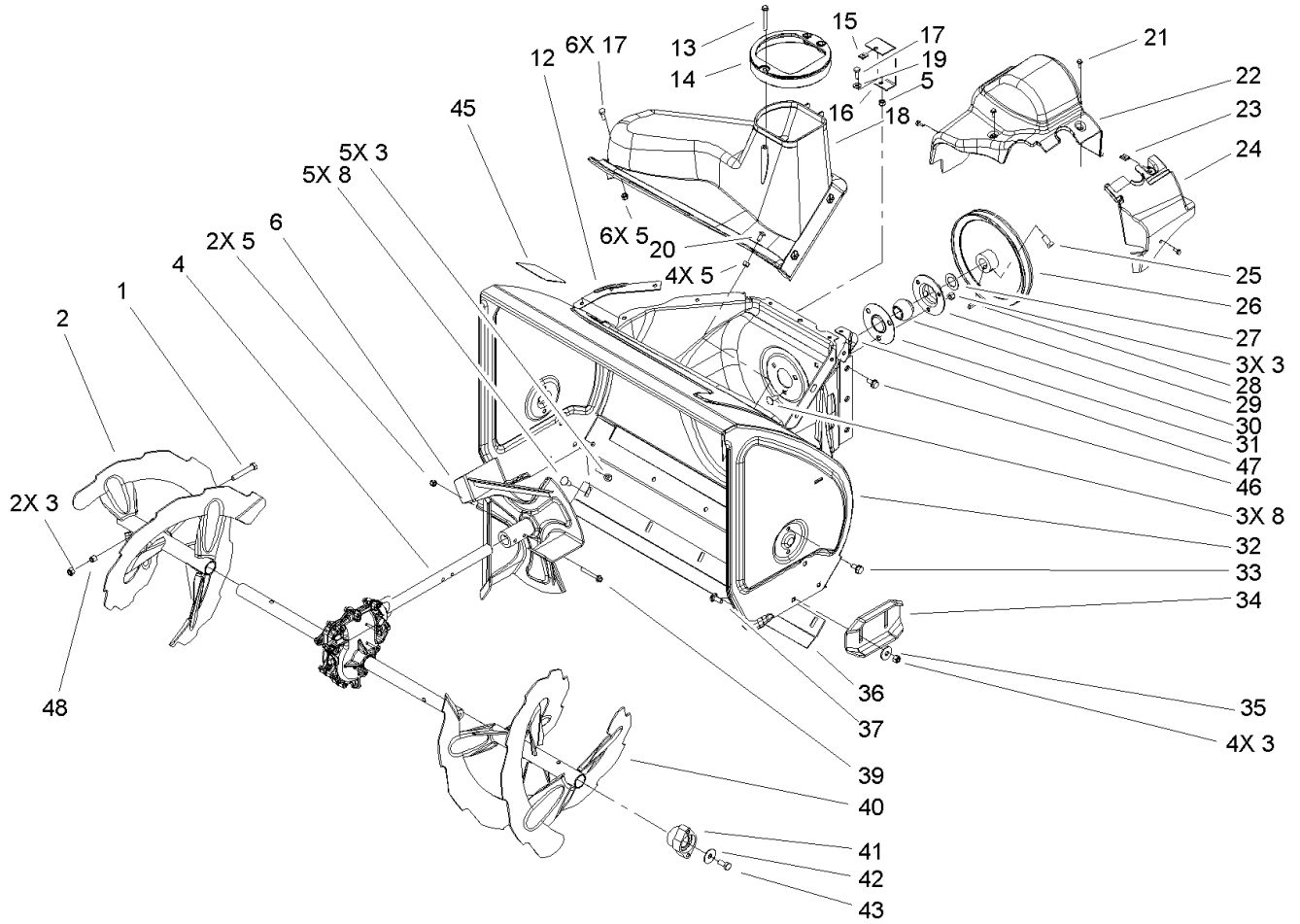
Part Description Abbreviations

Part descriptions in this catalog may include the following abbreviations.

| | |
|---|---|
| AR. as required | HYD. hydraulic |
| ASM. assembly | LH. left hand |
| BBC. blade brake clutch | NI. nylon insert |
| CARR. carriage | NPTF. national pipe thread fine |
| DEG. degrees | PFH. phillips flat head |
| EXT. external | PPH. phillips pan head |
| FH. flat head | PPHTF. phillips pan head thread forming |
| GA. gauge | PRH. phillips round head |
| HD. heavy-duty | PTH. phillips truss head |
| HF. hex flange | PTO. power-take-off |
| HH. hex head | RH. right hand |
| HHF. hex head flange | ROPS. roll-over protection system |
| HHFTF. hex head flange thread forming | SFH. slotted fillister head |
| HJ. hex jam | SHH. slotted hex head |
| HLH. hex lag head | SHWH. slotted hex washer head |
| HOC. height-of-cut | SPH. slotted pan head |
| HSBH. hex socket button head | SQH. square head |
| HSFH. hex socket flat head | SRH. slotted round head |
| HSH. hex socket head | STD. standard |
| HWH. hex washer head | TAP. self tapping |
| HWHTF. hex washer head thread forming | TTH. torx truss head |

Footnotes

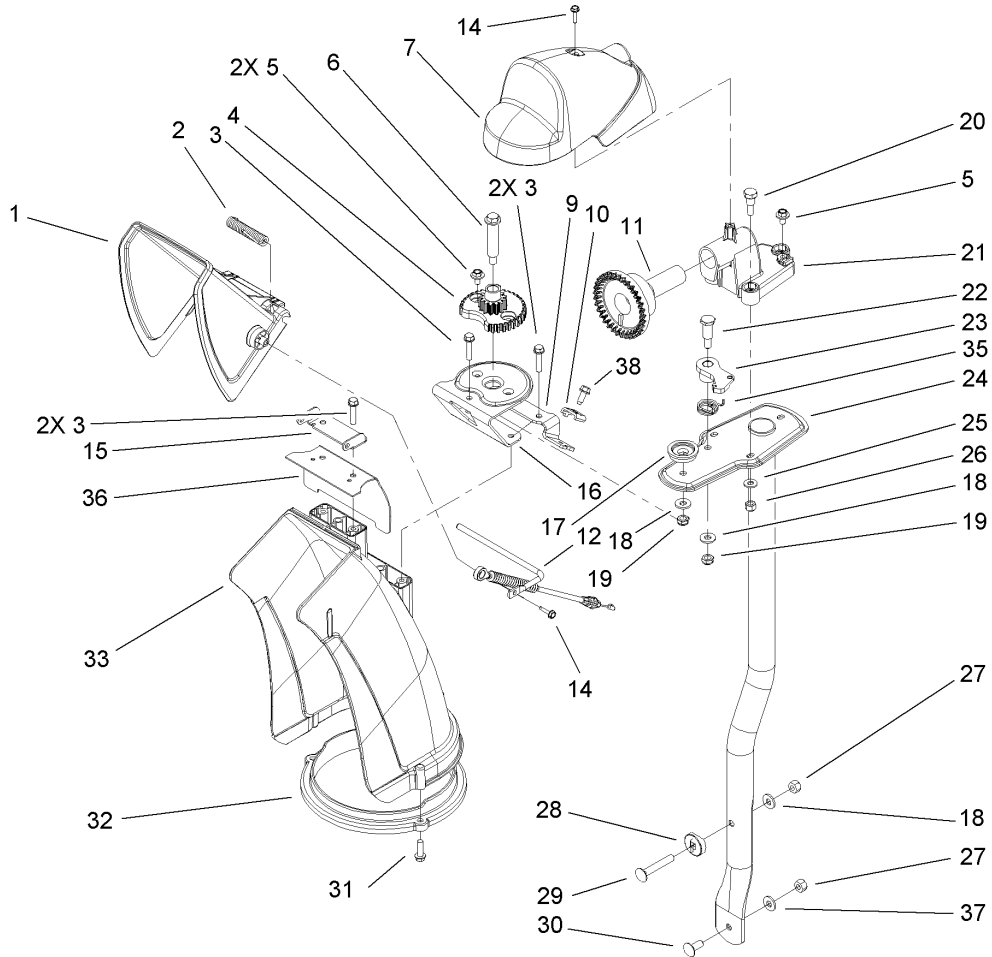
- | | |
|--|---|
| ❶ Not serviced separately | ❷ Obtain from your local Briggs & Stratton dealer |
| ❸ Included in Carburetor Overhaul Kit (Ref. No. 121) | ❹ Included in Engine Gasket Set (Ref. No. 358) |
| ❺ Included in Carburetor Gasket Set (Ref. No. 977) | ❻ Included in Valve Gasket Set (Ref. No. 1095) |



Auger and Housing Assembly

| Ref | Part No. | Qty. | Description |
|-----|-------------|------|----------------------------|
| 1 | 322-11 | 2 | Screw-HH |
| 2 | 106-7289-03 | 1 | RH Auger ASM |
| 3 | 3296-29 | 14 | Nut-Lock, NI |
| 4 | 108-7328 | 1 | 26 Inch Auger Gearcase ASM |
| 5 | 3296-42 | 13 | Nut-Lock, NI |
| 6 | 106-4576-03 | 1 | Impeller ASM |
| 8 | 3230-23 | 8 | Screw-CARR |
| 12 | 107-1017-03 | 1 | Seal-Flange, Cover |
| 13 | 107-3003 | 1 | Screw-Plastite |
| 14 | 107-3006 | 1 | Guide-Chute |
| 15 | 107-1013 | 1 | Nut-Speed, U-Type |
| 16 | 107-1014-03 | 1 | Bracket-Cover, Clip Nut |
| 17 | 321-4 | 7 | Screw-HH |
| 18 | 108-0017 | 1 | Cover |
| 19 | 3256-22 | 1 | Washer-Flat |
| 20 | 3229-1 | 4 | Screw-CARR |
| 21 | 32144-112 | 4 | Screw-HWH |
| 22 | 107-1001 | 1 | Cover-Belt |
| 23 | 701493 | 1 | Nut-Speed |
| 24 | 107-1016 | 1 | Cover-Extension, Belt |
| 25 | 3242-4 | 2 | Screw-Set, SQH |
| 26 | 62-1300 | 1 | Pulley-Impeller |
| 27 | 252-80 | 1 | Washer-Thrust |
| 28 | 3257-23 | 1 | Key-Woodruff |

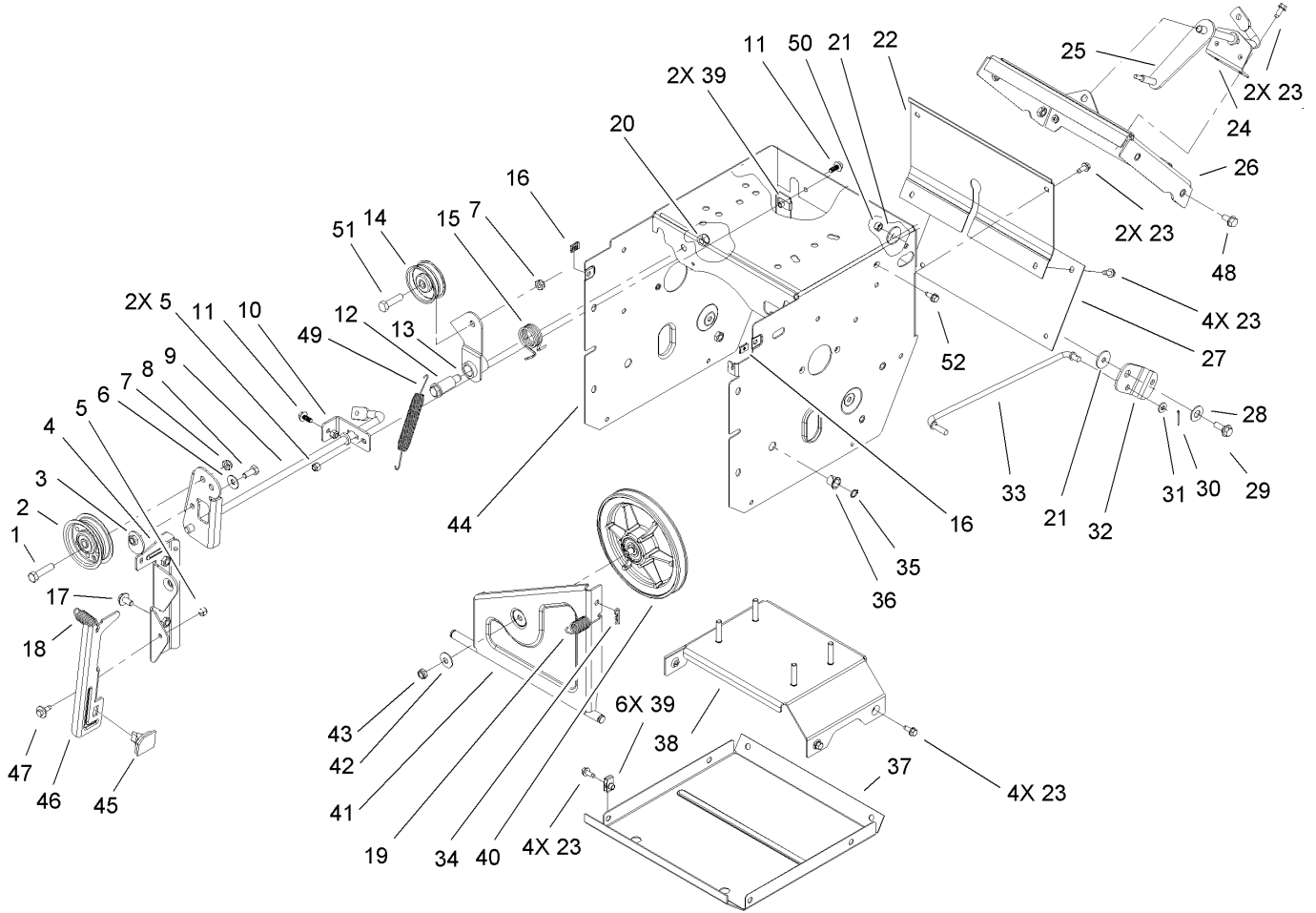
| Ref | Part No. | Qty. | Description |
|-----|-------------|------|------------------------|
| 29 | 26-6110 | 1 | Flange-Cup, Bearing |
| 30 | 63-3450 | 1 | Bearing-Ball |
| 31 | 26-6120 | 1 | Flange-Cup, Bearing |
| 32 | 107-3822 | 1 | Housing-Auger, 26 Inch |
| 33 | 32144-70 | 4 | Screw-HWHTF |
| 34 | 106-4588-01 | 2 | Skid |
| 35 | 52-2861 | 4 | Washer |
| 36 | 105-9976-01 | 1 | Scraper-Fixed |
| 37 | 3230-16 | 4 | Screw-CARR |
| 39 | 321-44 | 2 | Screw-HHF |
| 40 | 106-7299-03 | 1 | LH Auger ASM |
| 41 | 106-4570 | 2 | Auger-Bearing |
| 42 | 3-0750 | 2 | Washer |
| 43 | 323-4 | 2 | Screw-HH |
| 45 | 107-3040 | 1 | Decal-Danger, Auger |
| 46 | 32144-14 | 6 | Screw-HWHTF |
| 47 | 108-0039-03 | 1 | Seal |
| 48 | 1-633545 | 2 | Spacer |



Chute Assembly

| Ref | Part No. | Qty. | Description |
|-----|-------------|------|------------------------|
| 1 | 112-6629 | 1 | Deflector-Chute, Ce |
| 2 | 106-4594 | 1 | Spring-Torsion |
| 3 | 46-8092 | 5 | Screw-Plastite |
| 4 | 106-4472 | 1 | Gear-Chute |
| 5 | 46-6810 | 3 | Screw And Washer ASM |
| 6 | 100-9880 | 1 | Bolt-Shoulder |
| 7 | 106-4585 | 1 | Cover-Gear, Chute |
| 9 | 106-7296 | 1 | Bracket-Cable, Clamp |
| 10 | 106-7297 | 1 | Clamp-Cable |
| 11 | 106-4471 | 1 | Gear-Face |
| 12 | 107-1021 | 1 | Rod-Deflector |
| 14 | 98-1375 | 2 | Screw-HWH |
| 15 | 106-7266 | 1 | Bracket-Deflector |
| 16 | 106-4582-03 | 1 | Bracket-Support, Chute |
| 17 | 106-4422 | 1 | Spacer-Chute |
| 18 | 3256-2 | 3 | Washer-Flat |
| 19 | 3296-47 | 2 | Nut-Lock, NI |
| 20 | 106-7276 | 3 | Screw-Shoulder |
| 21 | 106-7257 | 1 | Mount-Gear, Face |
| 22 | 63-2650 | 1 | Screw-Shoulder |
| 23 | 106-4476 | 1 | Latch-Chute |
| 24 | 106-7253-03 | 1 | Tube-Support |
| 25 | 3256-22 | 3 | Washer-Flat |
| 26 | 3296-42 | 3 | Nut-Lock, NI |

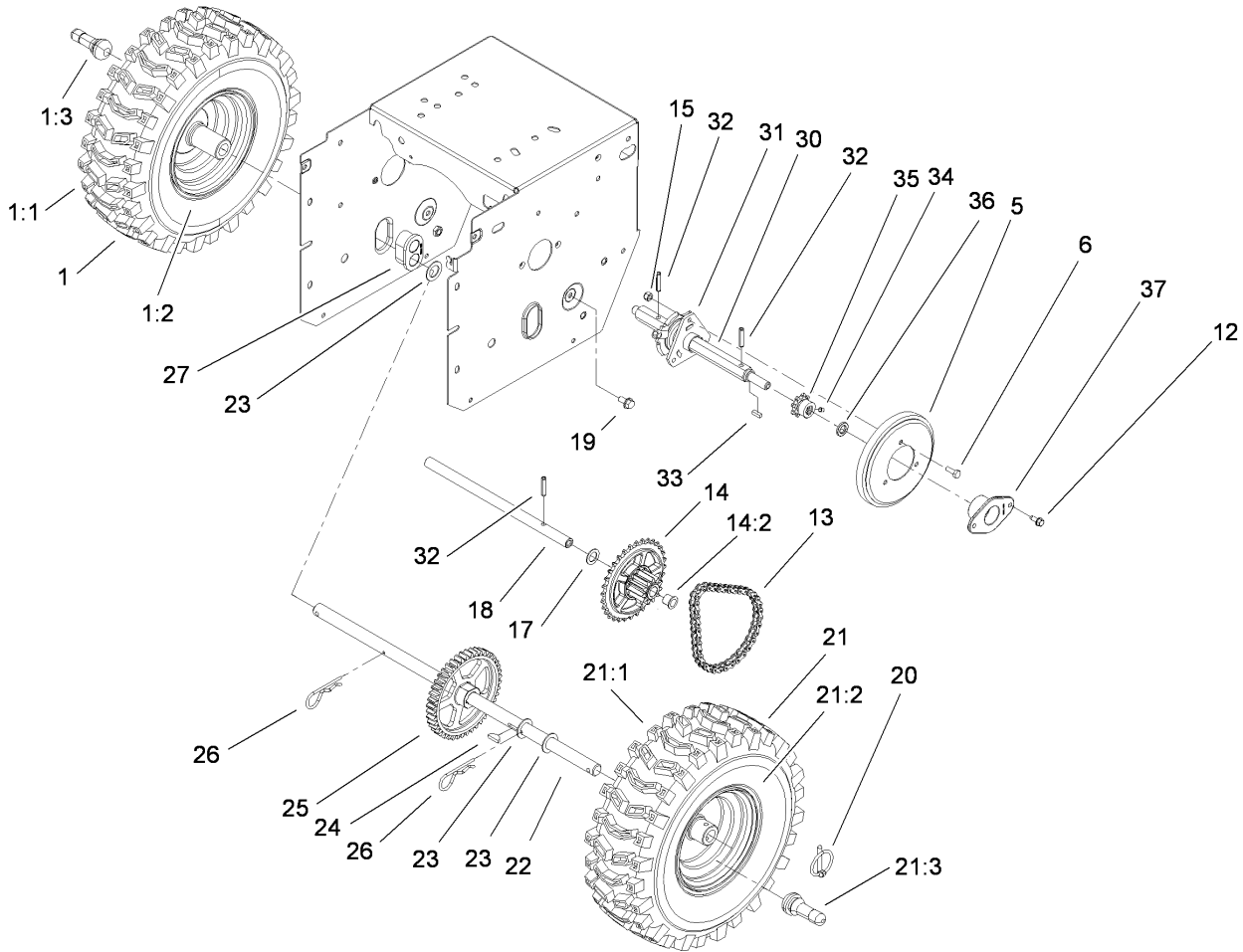
| Ref | Part No. | Qty. | Description |
|-----|----------|------|-------------------|
| 27 | 3296-29 | 2 | Nut-Lock, NI |
| 28 | 106-7260 | 1 | Washer-Curved |
| 29 | 3230-5 | 1 | Screw-CARR |
| 30 | 3230-23 | 1 | Screw-CARR |
| 31 | 46-8091 | 3 | Screw-HWH |
| 32 | 105-9991 | 1 | Ring-Chute |
| 33 | 106-4440 | 1 | Chute-Discharge |
| 35 | 108-7315 | 1 | Spring-Torsion |
| 36 | 108-5052 | 1 | Seal-Chute |
| 37 | 3290-456 | 1 | Washer-Belleville |
| 38 | 32144-10 | 1 | Screw-HWH |



Frame Assembly

| Ref | Part No. | Qty. | Description |
|-----|-------------|------|-------------------------|
| 1 | 323-8 | 1 | Screw-HH |
| 2 | 92-7104 | 1 | Pulley-Idler |
| 3 | 107-1047 | 1 | Nut |
| 4 | 107-1039 | 1 | Bracket-Idler, Impeller |
| 5 | 3296-42 | 3 | Nut-Lock, NI |
| 6 | 3290-456 | 1 | Washer-Belleville |
| 7 | 3296-59 | 2 | Nut-Lock, NI |
| 8 | 322-3 | 1 | Screw-HH |
| 9 | 107-3838-03 | 1 | Impeller Clutch ASM |
| 10 | 106-7341 | 1 | Bracket-Rear, Clutch |
| 11 | 99-6810 | 2 | Screw-HH |
| 12 | 108-5056 | 1 | Bolt-Shoulder |
| 13 | 108-5058 | 1 | Arm-Idler, Traction |
| 14 | 3-4244 | 1 | Pulley-Idler |
| 15 | 108-7332 | 1 | Spring-Torsion |
| 16 | 107-1013 | 2 | Nut-Speed, U-Type |
| 17 | 3234-7 | 2 | Screw-HHF |
| 18 | 107-1045 | 1 | Spring-Extension |
| 19 | 107-1003 | 1 | Spring-Extension |
| 20 | 3296-76 | 1 | Nut-Lock, NI |
| 21 | 5-4460 | 2 | Washer-Pivot |
| 22 | 106-4556-01 | 1 | Cover-Upper |
| 23 | 32144-10 | 16 | Screw-HWH |
| 24 | 108-0036 | 1 | Bracket-Rod, Shift |

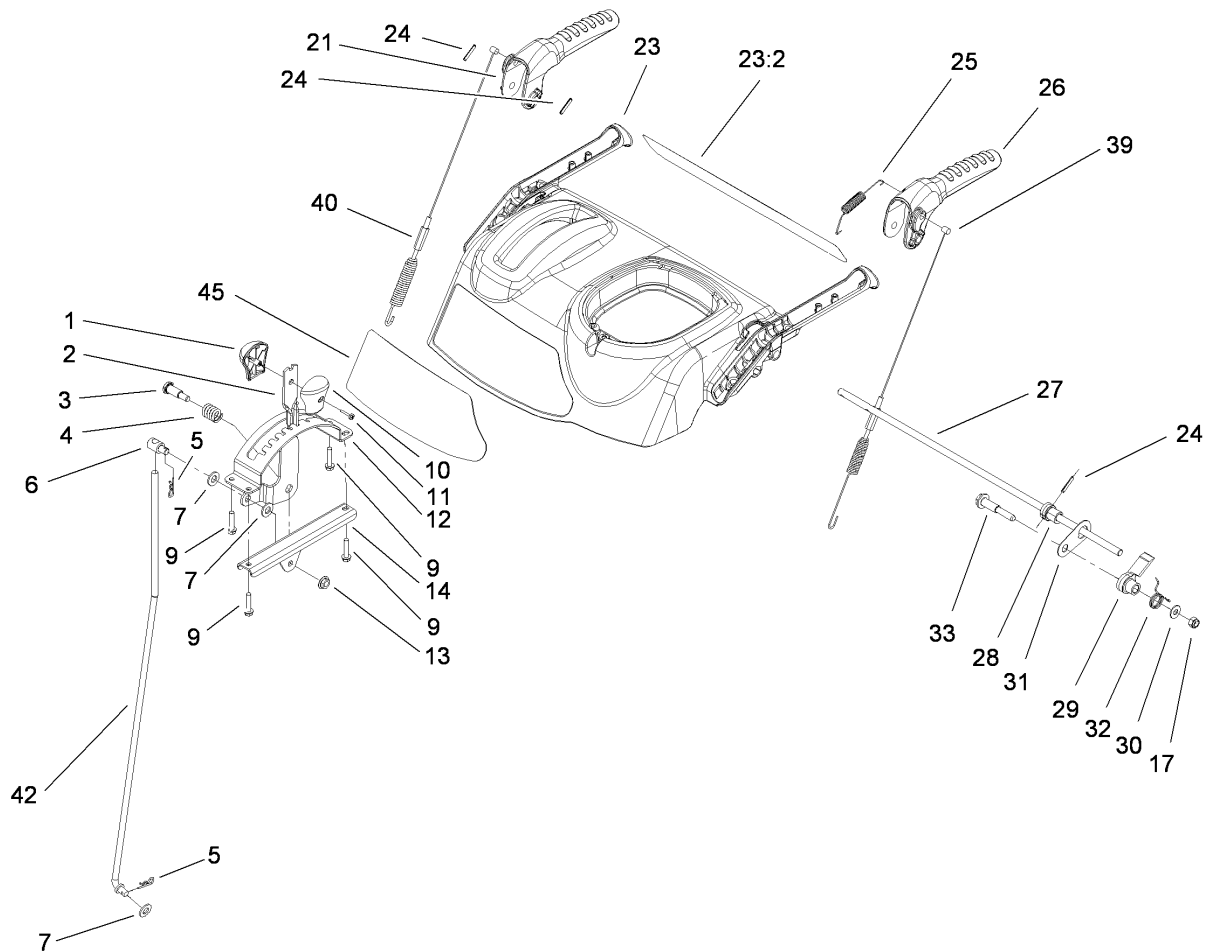
| Ref | Part No. | Qty. | Description |
|-----|-------------|------|----------------------------|
| 25 | 106-7268 | 1 | Lever-Control, Traction |
| 26 | 108-0026-01 | 1 | Shift Plate ASM |
| 27 | 106-7345-01 | 1 | Cover-Lower |
| 28 | 25-5640 | 1 | Washer |
| 29 | 27-0410 | 1 | Screw-Shoulder |
| 30 | 3272-4 | 1 | Pin-Cotter |
| 31 | 3256-23 | 1 | Washer-Flat |
| 32 | 107-1011 | 1 | Bellcrank-Drive |
| 33 | 106-4467 | 1 | Link-Control, Speed |
| 34 | 3290-307 | 1 | Pin-Hair |
| 35 | 32151-61 | 2 | Ring-Retaining |
| 36 | 256-257 | 2 | Bushing-Nyliner |
| 37 | 106-7330-01 | 1 | Pan-Bottom |
| 38 | 112-8128 | 1 | Frame Brace ASM |
| 39 | 107069 | 8 | Clip |
| 40 | 108-0031 | 1 | Traction Pulley ASM |
| 41 | 108-7307 | 1 | Friction Wheel Bracket ASM |
| 42 | 3290-340 | 1 | Washer-Belleville |
| 43 | 3296-5 | 1 | Nut-Lock |
| 44 | 114-9259-01 | 1 | Traction Frame ASM |
| 45 | 66-8060 | 1 | Pad-Brake |
| 46 | 107-1000 | 1 | Arm-Brake |
| 47 | 92-9698 | 1 | Screw-Shoulder |
| 48 | 32144-14 | 4 | Screw-HWHTF |



Chain Drive Assembly

| Ref | Part No. | Qty. | Description |
|------|----------|------|-----------------------|
| 1 | | 1 | RH Wheel And Tire ASM |
| 1:1 | 107-3042 | 1 | Tire |
| 1:2 | 107-3043 | 1 | Rim-Tire |
| 1:3 | 232-27 | 1 | Stem-Valve |
| 5 | 106-4480 | 1 | Wheel-Friction |
| 6 | 321-4 | 3 | Screw-HH |
| 12 | 32144-10 | 4 | Screw-HWH |
| 13 | 108-0016 | 1 | Chain-Roller |
| 13 | 2710-6 | 1 | Link-Connecting |
| 14 | 108-0013 | 1 | Sprocket ASM |
| 14:2 | 108-2974 | 2 | Bushing-Flange |
| 15 | 3296-42 | 3 | Nut-Lock, NI |
| 17 | 107-3041 | 1 | Washer-Flat |
| 18 | 106-4592 | 1 | Shaft-Intermediate |
| 19 | 32144-14 | 2 | Screw-HWHTF |
| 20 | 107-3039 | 2 | Klik Pin ASM |
| 21 | | 1 | LH Wheel And Tire ASM |
| 21:1 | 107-3042 | 1 | Tire |
| 21:2 | 107-3043 | 1 | Rim-Tire |
| 21:3 | 232-27 | 1 | Stem-Valve |
| 22 | 106-4449 | 1 | Shaft-Axle |
| 23 | 3-8664 | 3 | Washer-Thrust |
| 24 | 3257-7 | 1 | Key-Woodruff |
| 25 | 106-4572 | 1 | Gear-Axle, 44 Tooth |

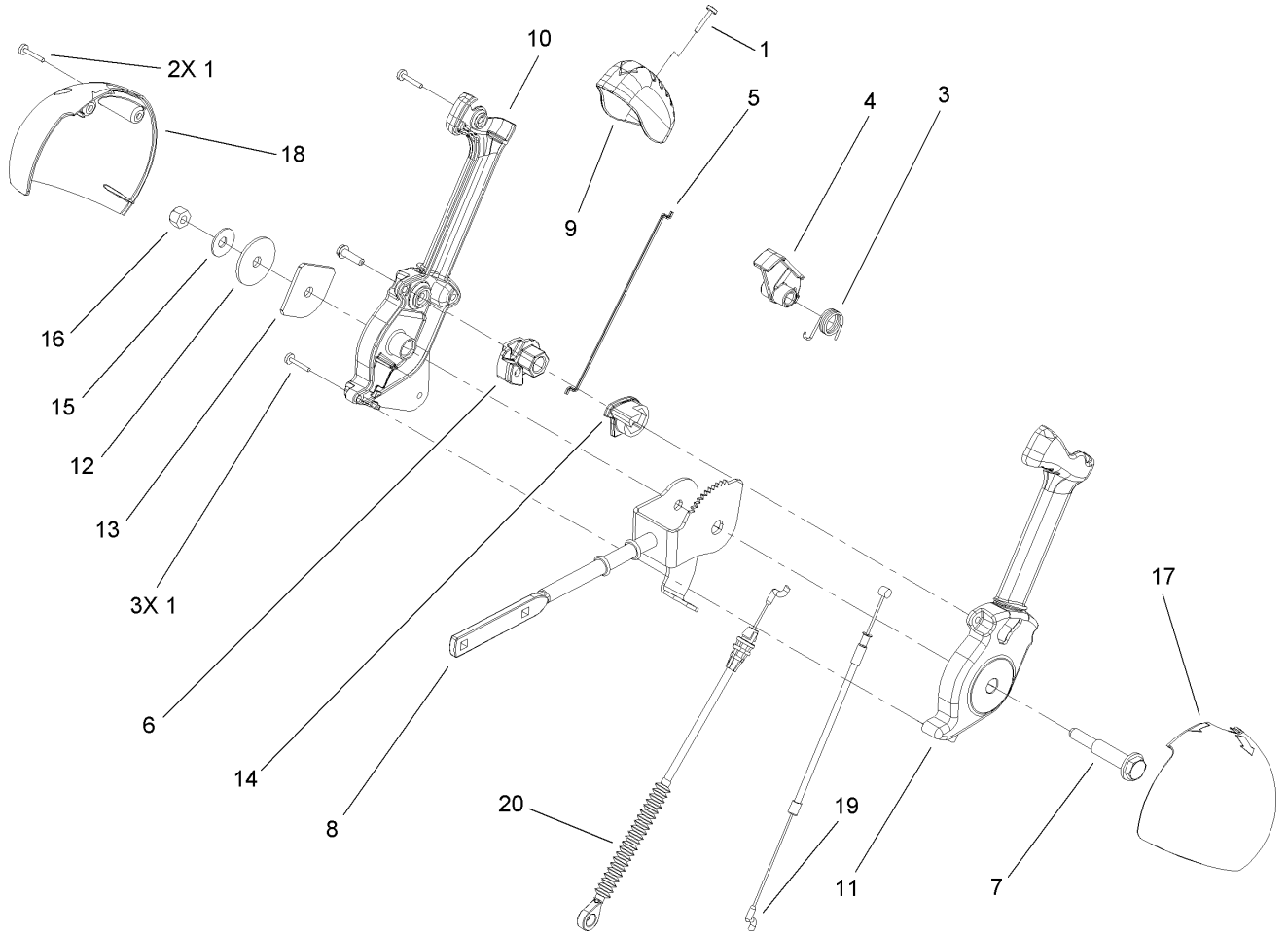
| Ref | Part No. | Qty. | Description |
|-----|----------|------|-------------------|
| 26 | 3290-343 | 2 | Pin-Hair |
| 27 | 106-4558 | 2 | Bearing-Axle |
| 30 | 108-5054 | 1 | Shaft-Hex |
| 31 | 106-4434 | 1 | Trunion-Hex |
| 32 | 32121-9 | 3 | Pin-Roll, Slotted |
| 33 | 94-8850 | 1 | Key-Square |
| 34 | 3245-32 | 2 | Screw-HSH |
| 35 | 106-7317 | 1 | Sprocket-8 Tooth |
| 36 | 108-5059 | 1 | Spacer-Bushing |
| 37 | 108-7319 | 2 | Retainer-Bearing |



Handle and Control Assembly

| Ref | Part No. | Qty. | Description |
|------|-------------|------|-----------------------|
| 1 | 106-4423 | 1 | Knob-Shift, RH |
| 2 | 106-7278-03 | 1 | Selector-Speed |
| 3 | 63-2650 | 1 | Screw-Shoulder |
| 4 | 108-7313 | 1 | Spring-Compression |
| 5 | 3290-307 | 2 | Pin-Hair |
| 6 | 110-3446 | 1 | Trunion-Rod |
| 7 | 3256-24 | 3 | Washer-Flat |
| 9 | 46-8092 | 4 | Screw-Plastite |
| 10 | 105-9999 | 1 | Knob-Shift, LH |
| 11 | 94-4496 | 1 | Screw-PPH |
| 12 | 106-7277-03 | 1 | Guide-Selector, Speed |
| 13 | 32128-13 | 1 | Nut-HF |
| 14 | 106-7279-03 | 1 | Mount-Selector, Speed |
| 17 | 3296-72 | 1 | Nut-Lock, NI |
| 21 | 106-4413 | 1 | Lever-Auger |
| 23 | 112-6631 | 1 | Control Panel ASM |
| 23:2 | 112-6626 | 1 | Decal-Panel, Control |
| 24 | 32121-125 | 3 | Pin-Spring |
| 25 | 107-3001 | 1 | Spring-Tension |
| 26 | 106-4410 | 1 | Lever-Traction |
| 27 | 105-9996 | 1 | Rod-Lockout |
| 28 | 107-1043 | 1 | Cam-Lockout |
| 29 | 108-0023 | 1 | Latch-Lockout |
| 30 | 98-3499 | 1 | Washer-Flat |

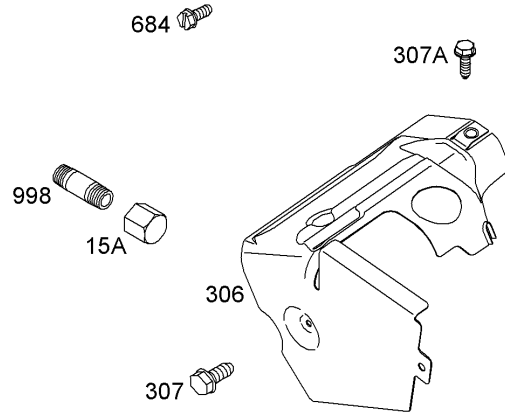
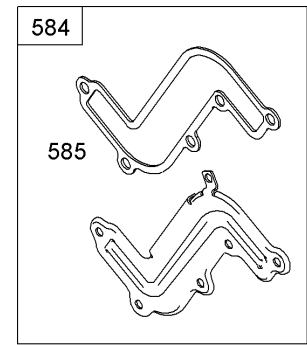
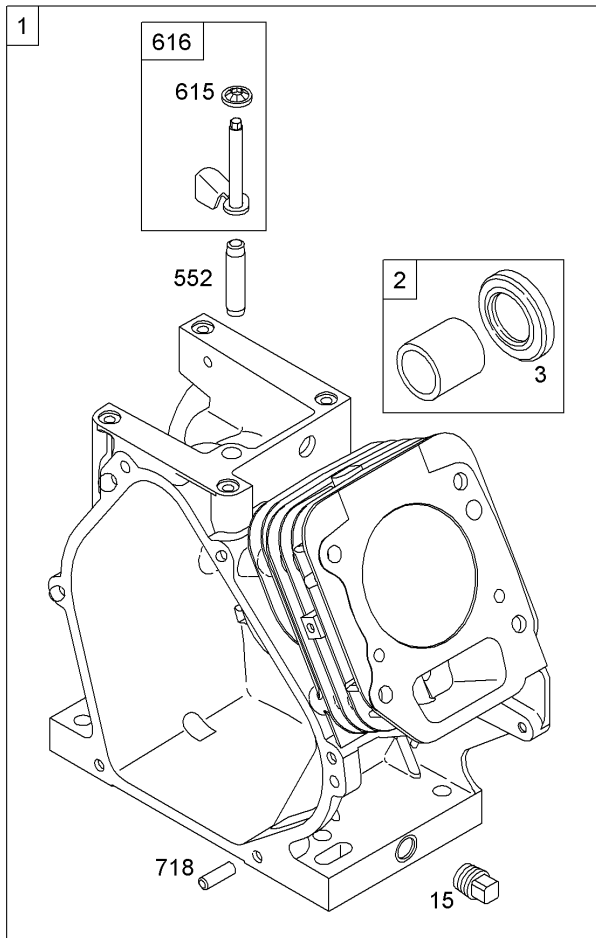
| Ref | Part No. | Qty. | Description |
|-----|----------|------|----------------|
| 31 | 107-3000 | 1 | Link-Lockout |
| 32 | 108-0024 | 1 | Spring-Torsion |
| 33 | 106-4412 | 1 | Screw-Shoulder |
| 39 | 115-5671 | 1 | Cable-Traction |
| 40 | 115-5680 | 1 | Cable-Auger |
| 42 | 107-1005 | 1 | Rod-Shift |
| 45 | 115-5662 | 1 | Decal |



Lever Chute Control Assembly

| Ref | Part No. | Qty. | Description |
|-----|----------|------|--------------------------|
| 1 | 94-4496 | 6 | Screw-PPH |
| 3 | 105-9982 | 1 | Spring-Torsion |
| 4 | 105-9984 | 1 | Trigger-Latch |
| 5 | 105-9985 | 1 | Link-Latch |
| 6 | 105-9988 | 1 | Lever-Cable, Deflector |
| 7 | 105-9995 | 1 | Screw-Shoulder |
| 8 | 106-4479 | 1 | Rod-Control, Chute |
| 9 | 106-7280 | 1 | Cap-Lever |
| 10 | 106-7281 | 1 | Lever-Chute Control, RH |
| 11 | 106-7282 | 1 | Lever-Chute Control, LH |
| 12 | 107-3002 | 1 | Washer-Nylon |
| 13 | 106-7295 | 1 | Plate-Friction |
| 14 | 106-7310 | 1 | Pawl-Latch |
| 15 | 3290-456 | 1 | Washer-Belleville |
| 16 | 3296-29 | 1 | Nut-Lock, NI |
| 17 | 105-9986 | 1 | Cover-Chute Lever, LH |
| 18 | 106-7292 | 1 | Cover-Chute Lever, RH |
| 19 | 105-9989 | 1 | Cable-Release, Chute |
| 20 | 105-9990 | 1 | Cable-Control, Deflector |

| Ref | Part No. | Qty. | Description |
|-----|----------|------|-------------|
| | | | |
| | | | |
| | | | |
| | | | |

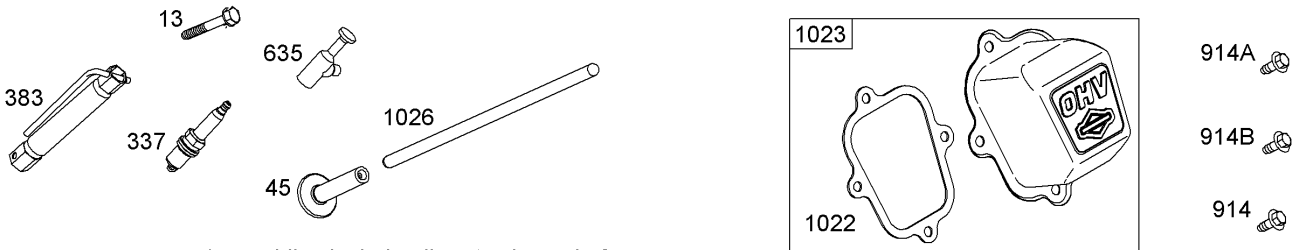
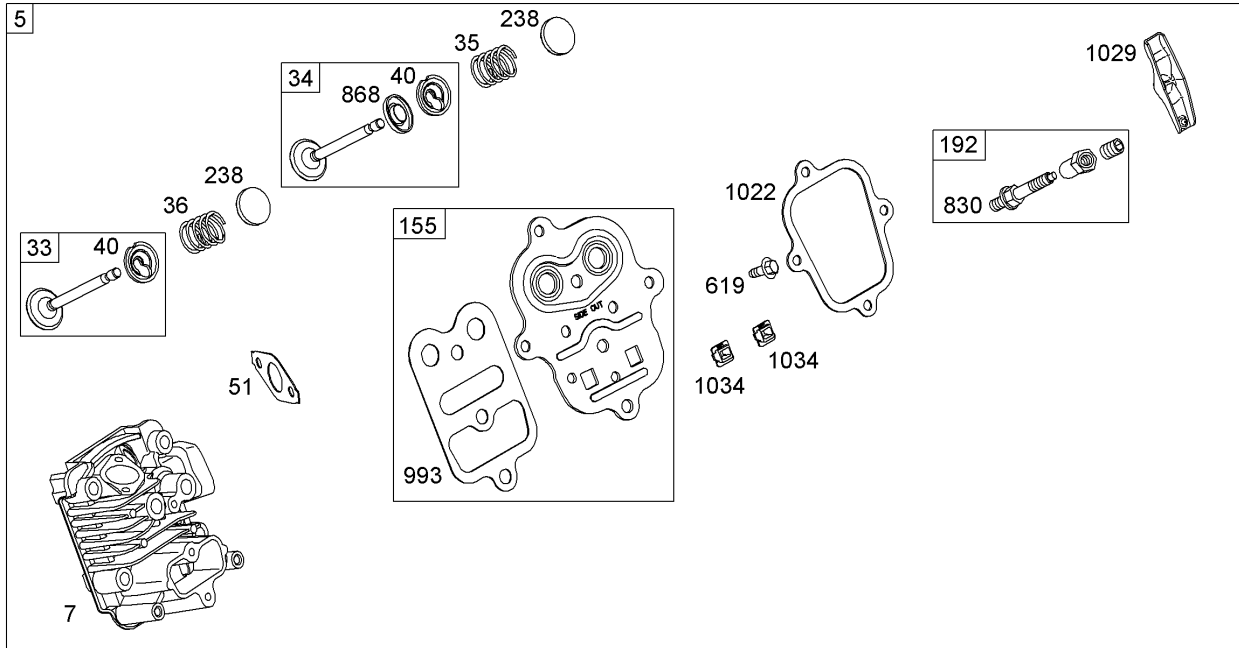


Assemblies include all parts shown in frames

Cylinder Assembly Briggs and Stratton 15D102-0111-E1

| Ref | Part No. | Qty. | Description |
|-------|----------|------|-------------------------------------|
| ②1 | 794188 | 1 | Cylinder ASM |
| ②2 | 399269 | 1 | Bushing And Seal Kit (Magneto Side) |
| ②④3 | 299819s | 1 | Seal-Oil (Magneto Side) |
| ②15 | 691686 | 1 | Plug-Drain, Oil (Square Head) |
| ②15A | 695757 | 1 | Plug-Oil Drain |
| ②306 | 695710 | 1 | Shield-Cylinder |
| ②307 | 699483 | 1 | Screw (Cylinder Shield) |
| ②307A | 699234 | 1 | Screw (Cylinder Shield) |
| ②552 | 692346 | 1 | Bushing-Crank, Governor |
| ②584 | 791759 | 1 | Cover-Passage, Breather |
| ②④585 | | 1 | Gasket-Breather Passage |
| ②615 | 692576 | 1 | Retainer-Shaft, Governor |
| ②616 | 692547 | 1 | Crank-Governor |
| ②684 | 793369 | 1 | Screw (Breather Passage Cover) |
| ②718 | 690959 | 1 | Pin-Locating |
| ②998 | 794701 | 1 | Pipe-Oil |

| | | | |
|--|--|--|--|
| | | | |
|--|--|--|--|

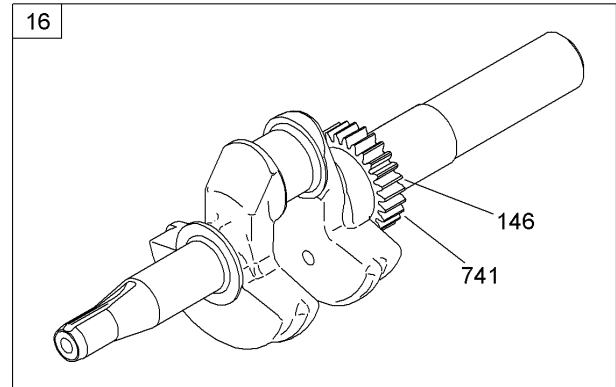
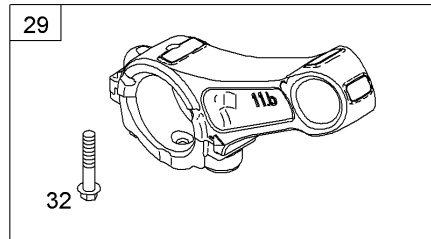
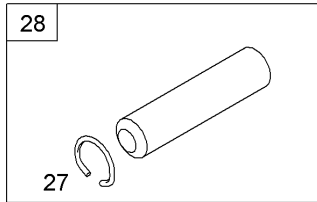
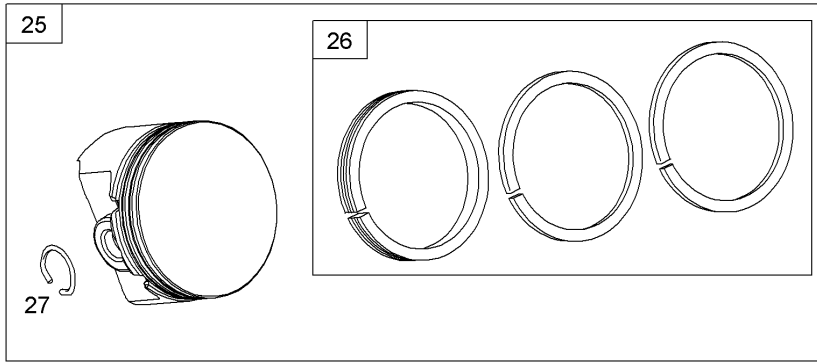


Assemblies include all parts shown in frames

Cylinder Head Assembly Briggs and Stratton 15D102-0111-E1

| Ref | Part No. | Qty. | Description |
|-------|----------|------|-------------------------------|
| 25 | 791720 | 1 | Head-Cylinder |
| 247 | 791716 | 1 | Gasket-Head, Cylinder |
| 6 | | | |
| 213 | 699482 | 1 | Screw (Cylinder Head) |
| 233 | 499642 | 1 | Valve-Exhaust |
| 234 | 499641 | 1 | Valve-Intake |
| 235 | 691304 | 1 | Spring-Valve (Intake) |
| 236 | 691304 | 1 | Spring-Valve (Exhaust) |
| 240 | 692194 | 1 | Retainer-Valve |
| 245 | 690977 | 1 | Tappet-Valve |
| 2451 | 791718 | 1 | Gasket-Intake |
| 6 | | | |
| 2155 | 698214 | 1 | Plate-Head, Cylinder |
| 2192 | 694543 | 1 | Adjuster-Arm, Rocker |
| 2238 | 691300 | 1 | Cap-Valve |
| 2337 | 691043 | 1 | Spark Plug |
| 2383 | 19374s | 1 | Wrench-Spark Plug |
| 2619 | 699480 | 1 | Screw (Cylinder Head Plate) |
| 2635 | 692927 | 1 | Boot-Sparkplug |
| 2830 | 694544 | 1 | Stud (Rocker Arm) |
| 24868 | 692044 | 1 | Seal-Valve |
| 6 | | | |
| 2914 | 699480 | 1 | Screw (Rocker Cover) (Bottom) |
| 2914A | 692557 | 1 | Screw (Rocker Cover) (Top) |
| 2914B | 697551 | 1 | Screw (Rocker Cover) (Center) |

| Ref | Part No. | Qty. | Description |
|--------|----------|------|-----------------------------|
| 24993 | 694088 | 1 | Gasket-Head Plate, Cylinder |
| 6 | | | |
| 241022 | 691890 | 1 | Gasket-Cover, Rocker |
| 6 | | | |
| 21023 | 499924 | 1 | Cover-Arm, Rocker |
| 21026 | 790287 | 1 | Rod-Push |
| 21029 | 691230 | 1 | Arm-Rocker |
| 21034 | 691343 | 1 | Guide-Rod, Push |

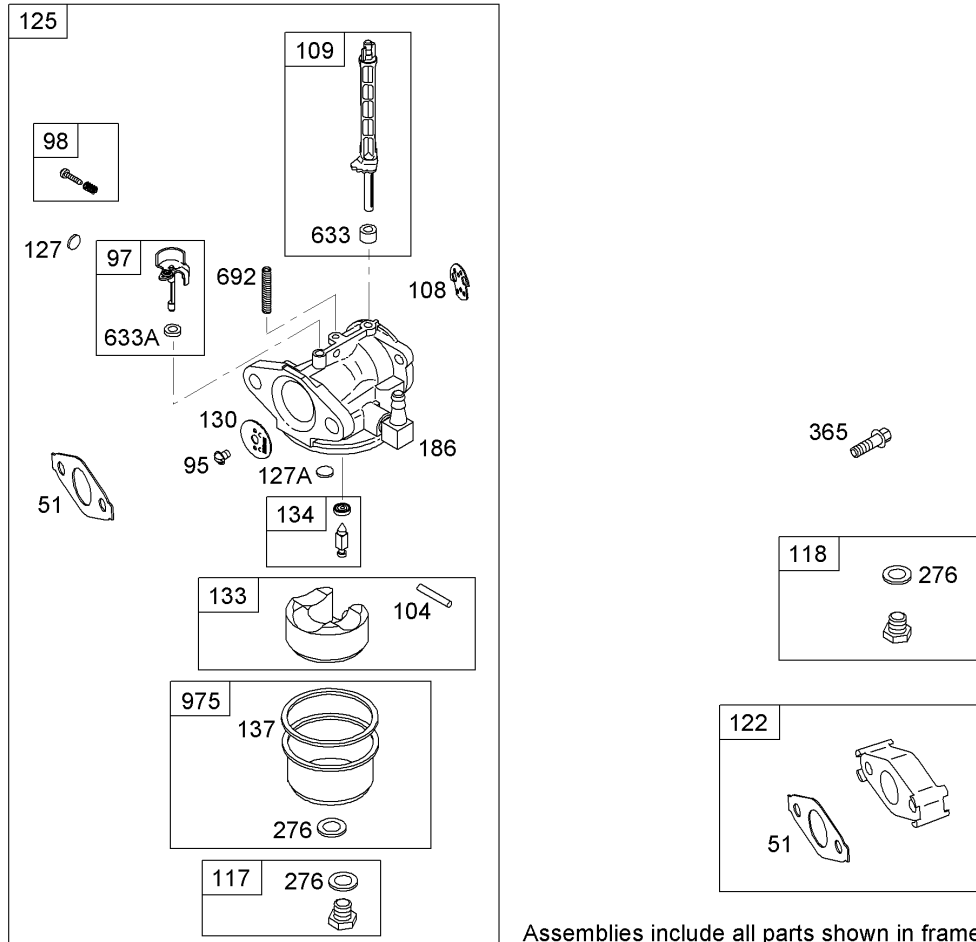


Assemblies include all parts shown in frames

Crankshaft Assembly Briggs and Stratton 15D102-0111-E1

| Ref | Part No. | Qty. | Description |
|-------|----------|------|------------------------|
| ● 16 | 791721 | 1 | Crankshaft |
| ● 24 | 222698s | 1 | Key-Flywheel |
| ● 25 | 791786 | 1 | Piston ASM (STD) |
| ● 25 | 791791 | 1 | Piston ASM (.020 O S) |
| ● 26 | 791787 | 1 | Ring Set (STD) |
| ● 26 | 791792 | 1 | Ring Set (.020 O S) |
| ● 27 | 690975 | 1 | Lock-Pin, Piston |
| ● 28 | 690229 | 1 | Pin-Piston (STD) |
| ● 29 | 791783 | 1 | Rod-Connecting |
| ● 32 | 791784 | 1 | Screw (Connecting Rod) |
| ● 146 | 690979 | 1 | Key-Timing |
| ● 741 | 695087 | 1 | Gear-Timing |

| | | | |
|--|--|--|--|
| | | | |
|--|--|--|--|

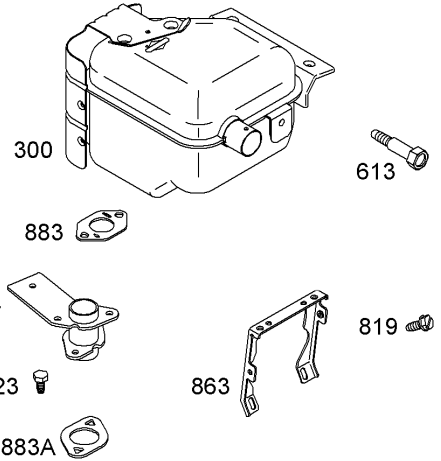
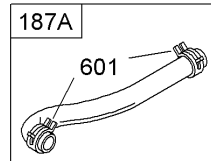
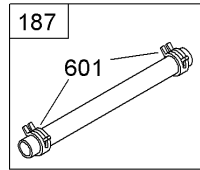
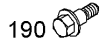
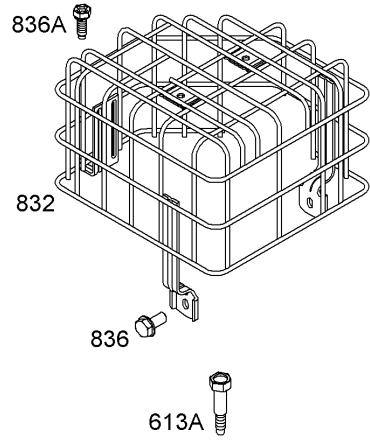
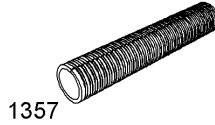
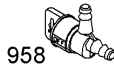
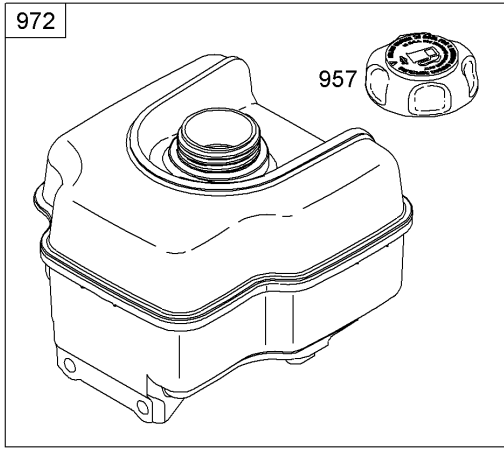


Assemblies include all parts shown in frames

Carburetor Assembly Briggs and Stratton 15D102-0111-E1

| Ref | Part No. | Qty. | Description |
|--------|----------|------|----------------------------|
| 2 51 | 791718 | 1 | Gasket-Intake |
| 1 5 | | | |
| 2 95 | 691636 | 1 | Screw (Throttle Valve) |
| 2 97 | 690024 | 1 | Shaft-Throttle |
| 2 98 | 398185 | 1 | Idle Speed Kit |
| 2 104 | 691242 | 1 | Pin-Hinge, Float |
| 2 108 | 695807 | 1 | Valve-Choke |
| 2 109 | 791957 | 1 | Shaft-Choke |
| 2 117 | 694176 | 1 | Jet-Main (STD) |
| 2 118 | 690048 | 1 | Jet-Main (High Altitude) |
| 2 122 | 791717 | 1 | Spacer-Carburetor |
| 2 125 | 794588 | 1 | Carburetor |
| 2 127 | 694468 | 1 | Plug-Welch |
| 2 127A | 691739 | 1 | Plug-Welch |
| 2 130 | 691181 | 1 | Valve-Throttle |
| 2 133 | 398187 | 1 | Float-Carburetor |
| 2 134 | 398188 | 1 | Needle And Seat Kit |
| 2 137 | 693981 | 1 | Gasket-Bowl, Float |
| 5 | | | |
| 2 186 | 692317 | 1 | Connector-Hose |
| 2 276 | 271716 | 1 | Washer-Sealing |
| 2 365 | 699484 | 1 | Screw (Carburetor) |
| 2 633 | 693867 | 1 | Seal-Shaft, Choke Throttle |
| 5 | | | |

| Ref | Part No. | Qty. | Description |
|--------|----------|------|----------------------------|
| 2 633A | 691321 | 1 | Seal-Shaft, Choke Throttle |
| 5 | | | |
| 2 692 | 690572 | 1 | Spring-Detent |
| 2 975 | 790559 | 1 | Bowl-Float |

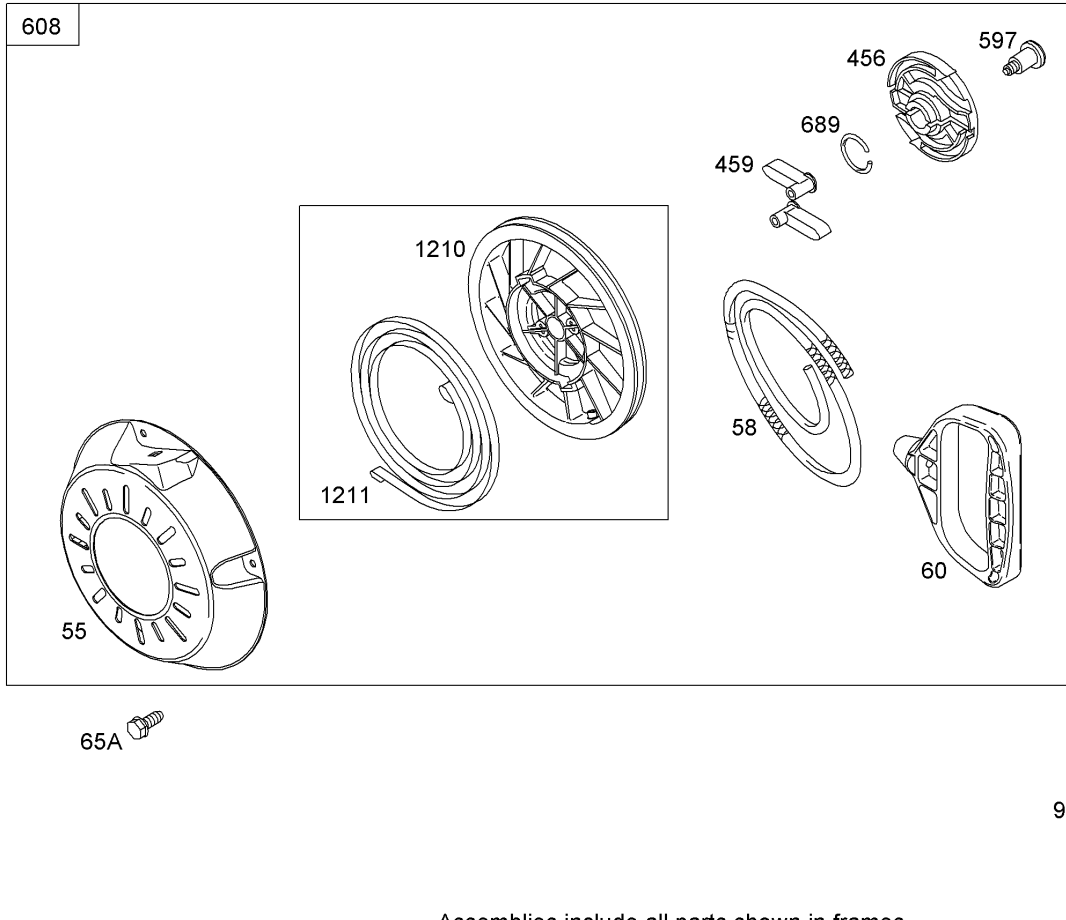


Assemblies include all parts shown in frames

Muffler and Fuel Tank Assembly Briggs and Stratton 15D102-0111-E1

| Ref | Part No. | Qty. | Description |
|--------|----------|------|------------------------------------|
| ②187 | 791766 | 1 | Line-Fuel (Cut To Required Length) |
| ②187A | 791867 | 1 | Line-Fuel (Molded) |
| ②190 | 699220 | 1 | Screw (Fuel Tank) |
| ②300 | 699512 | 1 | Muffler |
| ②601 | 791850 | 1 | Clamp-Hose |
| ②613 | 697812 | 1 | Screw (Muffler) |
| ②613A | 699480 | 1 | Screw (Muffler) |
| ②819 | 699233 | 1 | Screw (Muffler Adapter) |
| ②823 | 699209 | 1 | Screw (Muffler Adapter) |
| ②832 | 699313 | 1 | Guard-Muffler |
| ②836 | 791972 | 1 | Screw (Muffler Guard) |
| ②836A | 699234 | 1 | Screw (Muffler Guard) |
| ②863 | 699849 | 1 | Bracket-Muffler |
| ②864 | 699232 | 1 | Adapter-Muffler |
| ②④883 | 692237 | 1 | Gasket-Exhaust |
| ②④883A | 691893 | 1 | Gasket-Exhaust |
| ②957 | 792647 | 1 | Cap-Tank, Fuel |
| ②958 | 698180 | 1 | Valve-Shut Off, Fuel |
| ②972 | 694260 | 1 | Tank-Fuel |
| ②1357 | 794700 | 1 | Sleeve-Fuel Line |

| | | | |
|--|--|--|--|
| | | | |
|--|--|--|--|

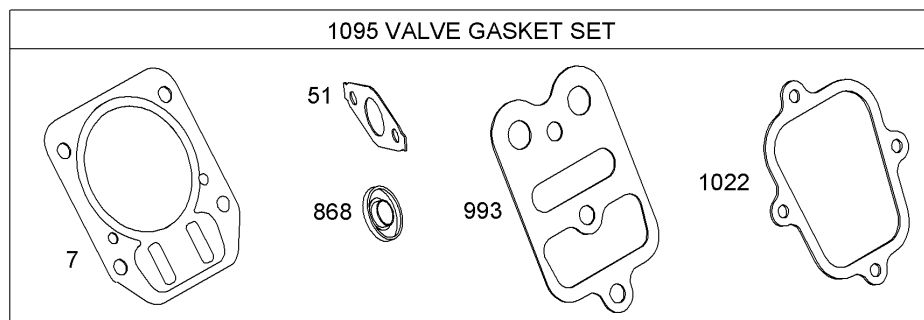
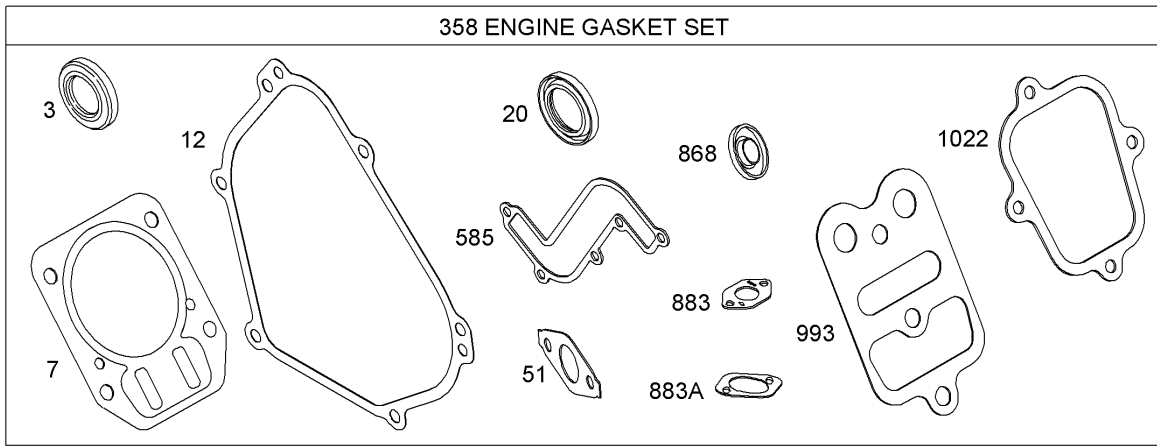


Assemblies include all parts shown in frames

Rewind Starter Assembly Briggs and Stratton 15D102-0111-E1

| Ref | Part No. | Qty. | Description |
|-------|----------|------|--------------------------------|
| 255 | 696710 | 1 | Housing-Rewind Starter |
| 265A | 699851 | 1 | Screw (Rewind Starter) |
| 258 | 693389 | 1 | Rope-Starter |
| 260 | 699334 | 1 | Grip-Starter Rope |
| 2456 | 692299 | 1 | Plate-Friction, Pawl |
| 2459 | 281505s | 1 | Ratchet-Pawl |
| 2597 | 691696 | 1 | Screw (Pawl Friction Plate) |
| 2608 | 699335 | 1 | Starter-Rewind |
| 2689 | 691855 | 1 | Spring-Friction |
| 2930 | 696709 | 1 | Guard-Rewind |
| 21210 | 498144 | 1 | Pulley And Spring ASM (Pulley) |
| 21211 | 498144 | 1 | Pulley And Spring ASM (Spring) |

| | | | |
|--|--|--|--|
| | | | |
|--|--|--|--|



Assemblies include all parts shown in frames

Gasket Kit

Briggs and Stratton 15D102-0111-E1

| Ref | Part No. | Qty. | Description |
|--------|----------|------|-----------------------------|
| 243 | 299819s | 1 | Seal-Oil (Magneto Side) |
| 247 | 791716 | 1 | Gasket-Head, Cylinder |
| 6 | | | |
| 2412 | 699485 | 1 | Gasket-Cover, Crankcase |
| 2420 | 691952 | 1 | Seal-Oil (PTO Side) |
| 2551 | 791718 | 1 | Gasket-Intake |
| 45 | | | |
| 2358 | 791797 | 1 | Engine Gasket Set |
| 24585 | | 1 | Gasket-Passage, Breather |
| 24868 | 692044 | 1 | Seal-Valve |
| 6 | | | |
| 24883 | 692237 | 1 | Gasket-Exhaust |
| 24883A | 691893 | 1 | Gasket-Exhaust |
| 24993 | 694088 | 1 | Gasket-Head Plate, Cylinder |
| 6 | | | |
| 241022 | 691890 | 1 | Gasket-Cover, Rocker |
| 6 | | | |
| 21095 | 791798 | 1 | Valve Gasket Set |

Attachments and Accessories

For 38597 - Power Max 826 O Snowthrower

| Product Name | Model/Part |
|--------------------------------|------------|
| Tire Chain Kit | 107-3813 |
| Snow Cab | 107-3814 |
| Weight Kit | 107-3815 |
| 26 Inch Drift Breaker | 107-3816 |
| Starter Kit, Briggs 230v | 114-9273 |

NOTES

NOTES

