



## Power Max 826 OE Snowthrower

Model No. 38629 - 290000001 and up.

### Parts Catalog

---

#### **Ordering Replacement Parts**

To order replacement parts, please supply the part number, the quantity, and the description of each part desired.

#### **Understanding Reference Numbers**

Each identified part in an illustration has a reference number. The reference number for a part also appears in the parts list, along with other information about the part.

This catalog uses two special reference number formats, one to indicate parts in a service assembly and another to indicate the quantity of a given part in an illustration.

#### **Service Assembly Reference Numbers**

Parts in service assemblies have reference numbers in the form a:b. The a represents the reference number of the entire service assembly and the b represents a sequential number unique to each part within the service assembly.

For example, a wheel assembly might be identified by reference number 6, the tire by 6:1, the valve by 6:2, and the wheel by 6:3. When you order the assembly identified by reference number 6, you receive all parts identified by reference numbers 6:1, 6:2, and 6:3. However, you may also order any part individually. Reference numbers of this type appear in illustrations and in part lists.

#### **Reference Numbers Indicating Quantity**

In an illustration, if a reference number indicates more than one part, the reference number has the form nX y. The n represents the quantity of the part, the X is the multiplication symbol, and the y represents the reference number.

For example, in an illustration, the reference number 2X 37 means that two of the parts identified by reference number 37 are indicated.

# Contents

Description	Page	Description	Page
Auger and Housing Assembly	..... 3	Crankcase Assembly Briggs and Stratton 15D104-0112-E1	..... 16
26 Inch Auger Gearcase Assembly No. 108-7328	..... 4	Carburetor Assembly Briggs and Stratton 15D104-0112-E1	..... 17
Chute Assembly	..... 5	Muffler and Fuel Tank Assembly Briggs and Stratton 15D104-0112-E1	..... 18
Frame Assembly	..... 6	Governor Assembly Briggs and Stratton 15D104-0112-E1	..... 19
Chain Drive Assembly	..... 8	Shroud Assembly Briggs and Stratton 15D104-0112-E1	..... 20
Handle and Control Assembly	..... 9	Blower Housing Assembly Briggs and Stratton 15D104-0112-E1	..... 21
Handle Assembly	..... 10	Rewind Starter Assembly Briggs and Stratton 15D104-0112-E1	..... 22
Lever Chute Control Assembly	..... 11	Gasket Kit Briggs and Stratton 15D104-0112- E1	..... 23
Engine Assembly	..... 12	Carburetor Overhaul Kit Briggs and Stratton 15D104-0112-E1	..... 24
Cylinder Assembly Briggs and Stratton 15D104-0112-E1	..... 13	Attachments and Accessories List	..... 25
Cylinder Head Assembly Briggs and Stratton 15D104-0112-E1	..... 14		
Crankshaft Assembly Briggs and Stratton 15D104-0112-E1	..... 15		

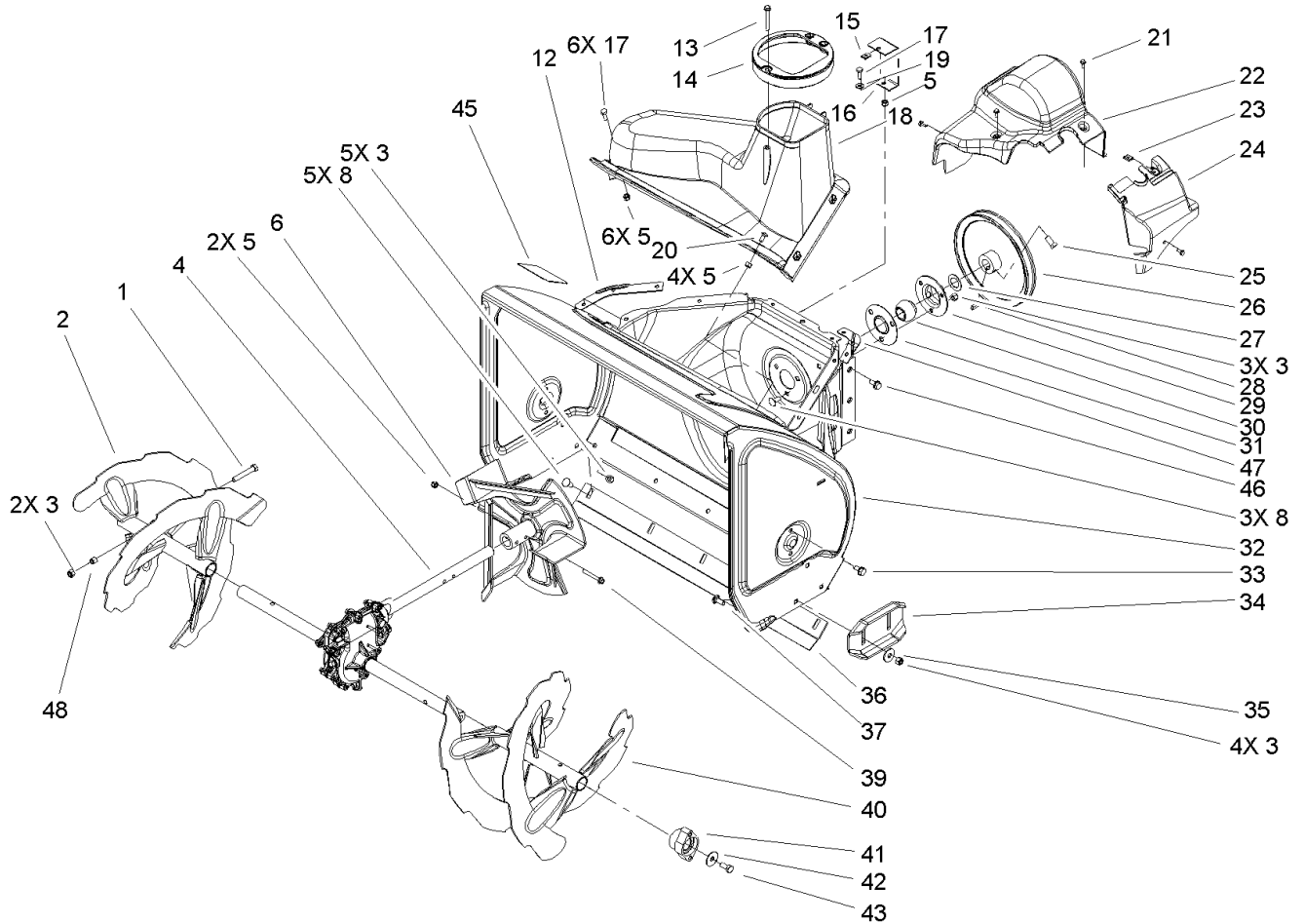
## Part Description Abbreviations

Part descriptions in this catalog may include the following abbreviations.

AR. .... as required	HYD. .... hydraulic
ASM. .... assembly	LH. .... left hand
BBC. .... blade brake clutch	NI. .... nylon insert
CARR. .... carriage	NPTF. .... national pipe thread fine
DEG. .... degrees	PFH. .... phillips flat head
EXT. .... external	PPH. .... phillips pan head
FH. .... flat head	PPHTF. .... phillips pan head thread forming
GA. .... gauge	PRH. .... phillips round head
HD. .... heavy-duty	PTH. .... phillips truss head
HF. .... hex flange	PTO. .... power-take-off
HH. .... hex head	RH. .... right hand
HHF. .... hex head flange	ROPS. .... roll-over protection system
HHFTF. .... hex head flange thread forming	SFH. .... slotted fillister head
HJ. .... hex jam	SHH. .... slotted hex head
HLH. .... hex lag head	SHWH. .... slotted hex washer head
HOC. .... height-of-cut	SPH. .... slotted pan head
HSBH. .... hex socket button head	SQH. .... square head
HSFH. .... hex socket flat head	SRH. .... slotted round head
HSH. .... hex socket head	STD. .... standard
HWH. .... hex washer head	TAP. .... self tapping
HWHTF. .... hex washer head thread forming	TTH. .... torx truss head

## Footnotes

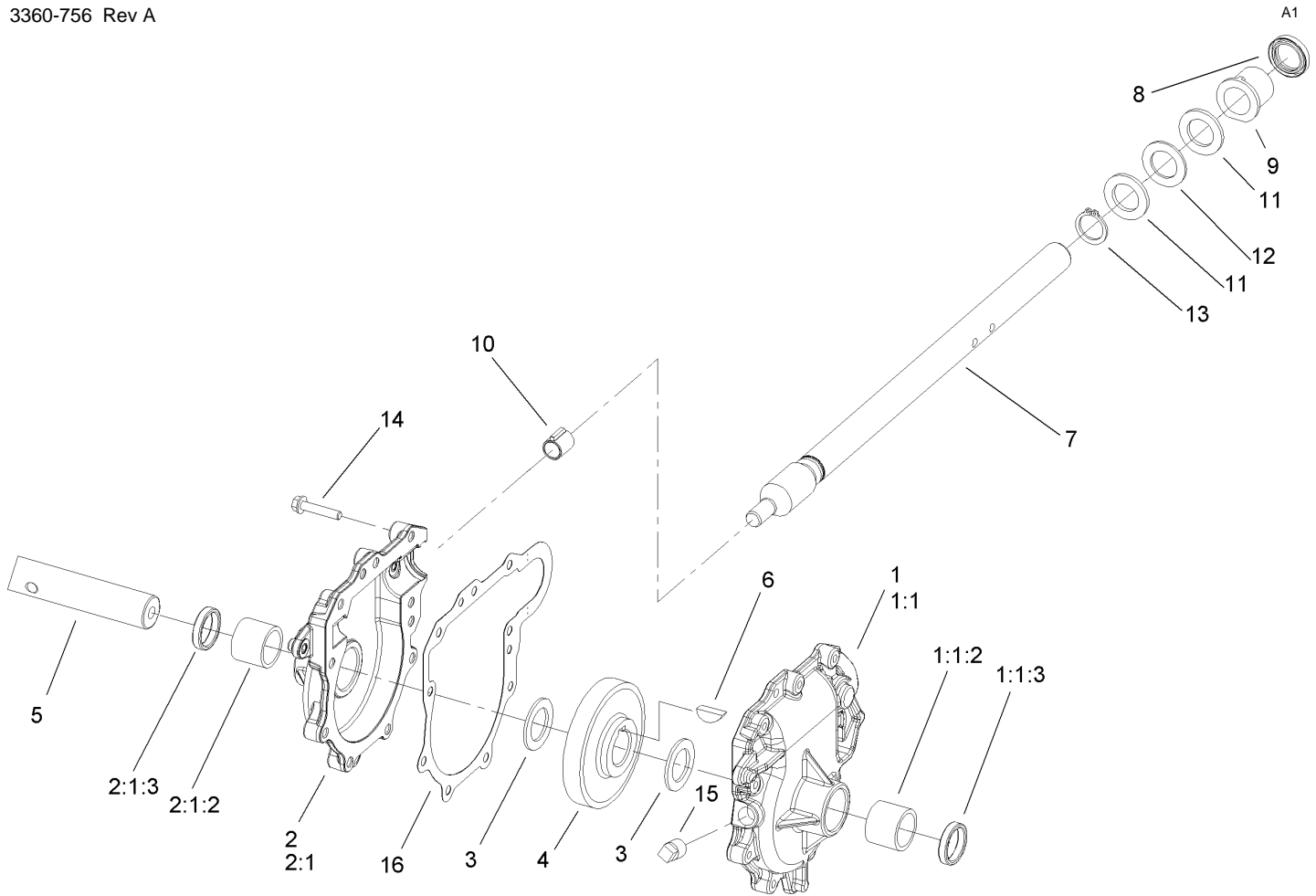
- |  |   |
|--|---|
| ❶ Not serviced separately                            | ❷ Obtain from your local Briggs & Stratton dealer |
| ❸ Included in Carburetor Overhaul Kit (Ref. No. 121) | ❹ Included in Engine Gasket Set (Ref. No. 358)    |
| ❺ Included in Carburetor Gasket Set (Ref. No. 977)   | ❻ Included in Valve Gasket Set (Ref. No. 1095)    |



## Auger and Housing Assembly

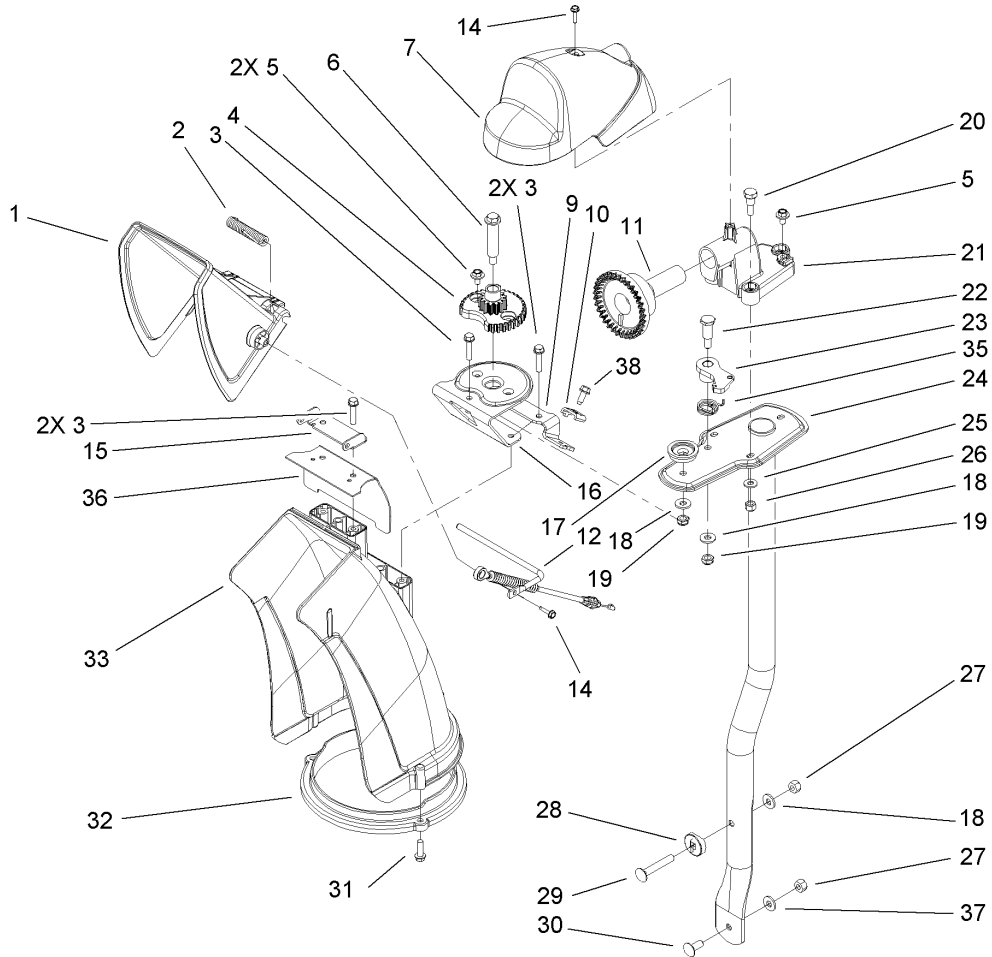
Ref	Part No.	Qty.	Description
1	322-11	2	Screw-HH
2	106-7289-03	1	RH Auger ASM
3	3296-29	14	Nut-Lock, NI
4	108-7328	1	26 Inch Auger Gearcase ASM
5	3296-42	13	Nut-Lock, NI
6	106-4576-03	1	Impeller ASM
8	3230-23	8	Screw-CARR
12	107-1017-03	1	Seal-Flange, Cover
13	107-3003	1	Screw-Plastite
14	107-3006	1	Guide-Chute
15	107-1013	1	Nut-Speed, U-Type
16	107-1014-03	1	Bracket-Cover, Clip Nut
17	321-4	7	Screw-HH
18	108-0017	1	Cover
19	3256-22	1	Washer-Flat
20	3229-1	4	Screw-CARR
21	32144-112	4	Screw-HWH
22	107-1001	1	Cover-Belt
23	701493	1	Nut-Speed
24	107-1016	1	Cover-Extension, Belt
25	3242-4	2	Screw-Set, SQH
26	62-1300	1	Pulley-Impeller
27	252-80	1	Washer-Thrust
28	3257-23	1	Key-Woodruff

Ref	Part No.	Qty.	Description
29	26-6110	1	Flange-Cup, Bearing
30	63-3450	1	Bearing-Ball
31	26-6120	1	Flange-Cup, Bearing
32	107-3822	1	Housing-Auger, 26 Inch
33	32144-70	4	Screw-HWHTF
34	106-4588-01	2	Skid
35	52-2861	4	Washer
36	105-9976-01	1	Scraper-Fixed
37	3230-16	4	Screw-CARR
39	321-44	2	Screw-HHF
40	106-7299-03	1	LH Auger ASM
41	106-4570	2	Auger-Bearing
42	3-0750	2	Washer
43	323-4	2	Screw-HH
45	107-3040	1	Decal-Danger, Auger
46	32144-14	6	Screw-HWHTF
47	108-0039-03	1	Seal
48	1-633545	2	Spacer



## 26 Inch Auger Gearcase Assembly No. 108-7328

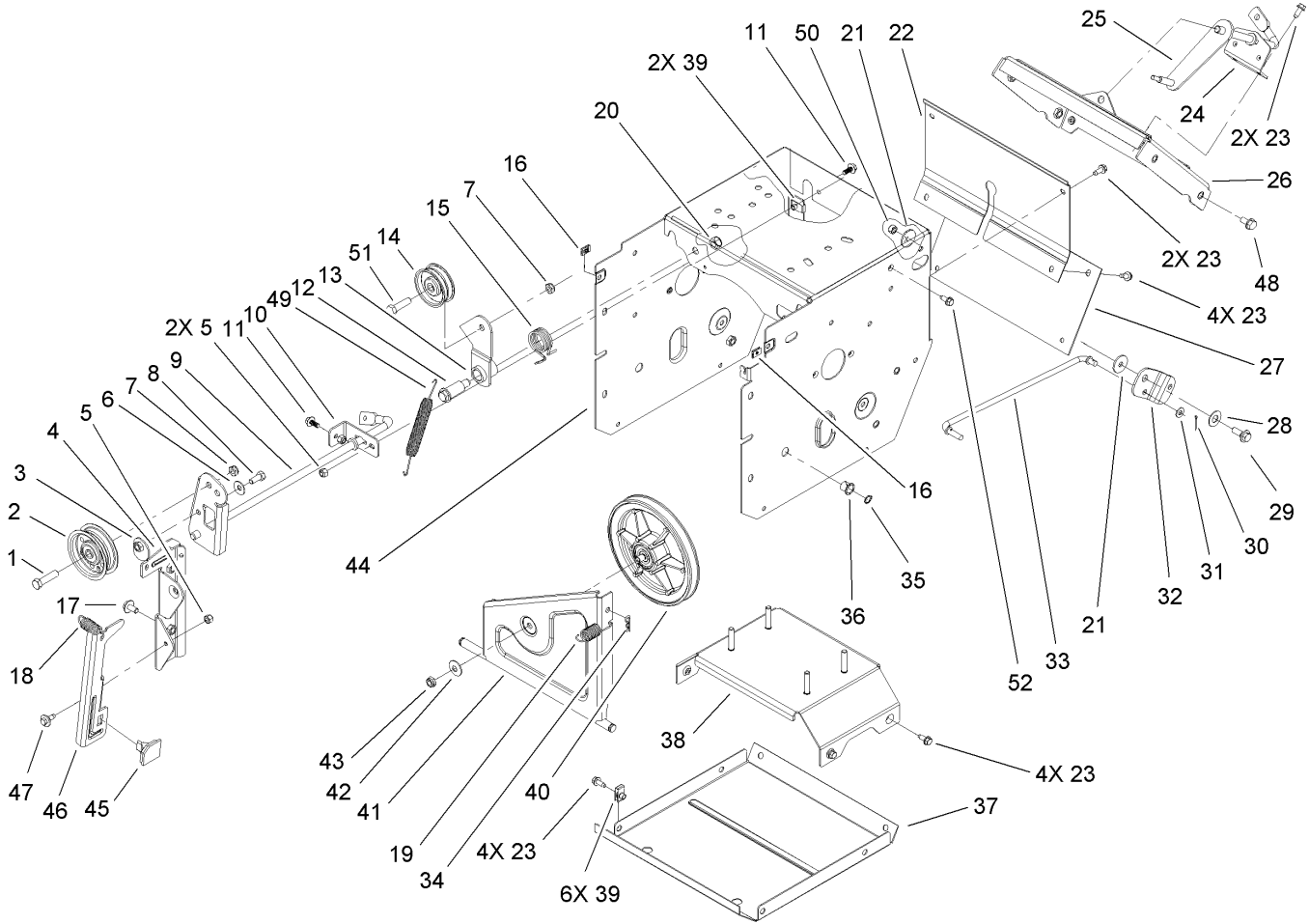
Ref	Part No.	Qty.	Description
1	108-7325	1	LH Auger Gearcase ASM
1:1:1		1	Gearcase-Auger, LH
1:1:2	112-6635	1	Bushing-Sleeve
1:1:3	7-0045	1	Seal-Oil
2	108-7327	1	RH Auger Gearcase ASM
2:1		1	Gearcase-Auger, RH
2:1:2	112-6635	1	Bushing-Sleeve
2:1:3	7-0045	1	Seal-Oil
3	252-71	2	Washer-Thrust
4	62-0120	1	Gear-Helical
5	106-4579	1	Shaft-Auger
6	3257-10	1	Key-Woodruff
7	66-7811	1	Shaft-Impeller
8	253-149	1	Seal-Oil
9	37-6560	1	Bushing-Input
10	62-1150	1	Bushing-Worm
11	252-78	2	Washer-Thrust
12	252-76	1	Bearing-Thrust
13	32151-33	1	Ring-Retaining, EXT
14	108-4862	9	Screw-HWHTF
15	281-1	1	Plug-Pipe, SQH
16	108-7330	1	Gasket-Gearcase, Auger

## Chute Assembly

Ref	Part No.	Qty.	Description
1	112-6629	1	Deflector-Chute, Ce
2	106-4594	1	Spring-Torsion
3	46-8092	5	Screw-Plastite
4	106-4472	1	Gear-Chute
5	46-6810	3	Screw And Washer ASM
6	100-9880	1	Bolt-Shoulder
7	106-4585	1	Cover-Gear, Chute
9	106-7296	1	Bracket-Cable, Clamp
10	106-7297	1	Clamp-Cable
11	106-4471	1	Gear-Face
12	107-1021	1	Rod-Deflector
14	98-1375	2	Screw-HWH
15	106-7266	1	Bracket-Deflector
16	106-4582-03	1	Bracket-Support, Chute
17	106-4422	1	Spacer-Chute
18	3256-2	3	Washer-Flat
19	3296-47	2	Nut-Lock, NI
20	106-7276	3	Screw-Shoulder
21	106-7257	1	Mount-Gear, Face
22	63-2650	1	Screw-Shoulder
23	106-4476	1	Latch-Chute
24	106-7253-03	1	Tube-Support
25	3256-22	3	Washer-Flat
26	3296-42	3	Nut-Lock, NI

Ref	Part No.	Qty.	Description
27	3296-29	2	Nut-Lock, NI
28	106-7260	1	Washer-Curved
29	3230-5	1	Screw-CARR
30	3230-23	1	Screw-CARR
31	46-8091	3	Screw-HWH
32	105-9991	1	Ring-Chute
33	106-4440	1	Chute-Discharge
35	108-7315	1	Spring-Torsion
36	108-5052	1	Seal-Chute
37	3290-456	1	Washer-Belleville
38	32144-10	1	Screw-HWH

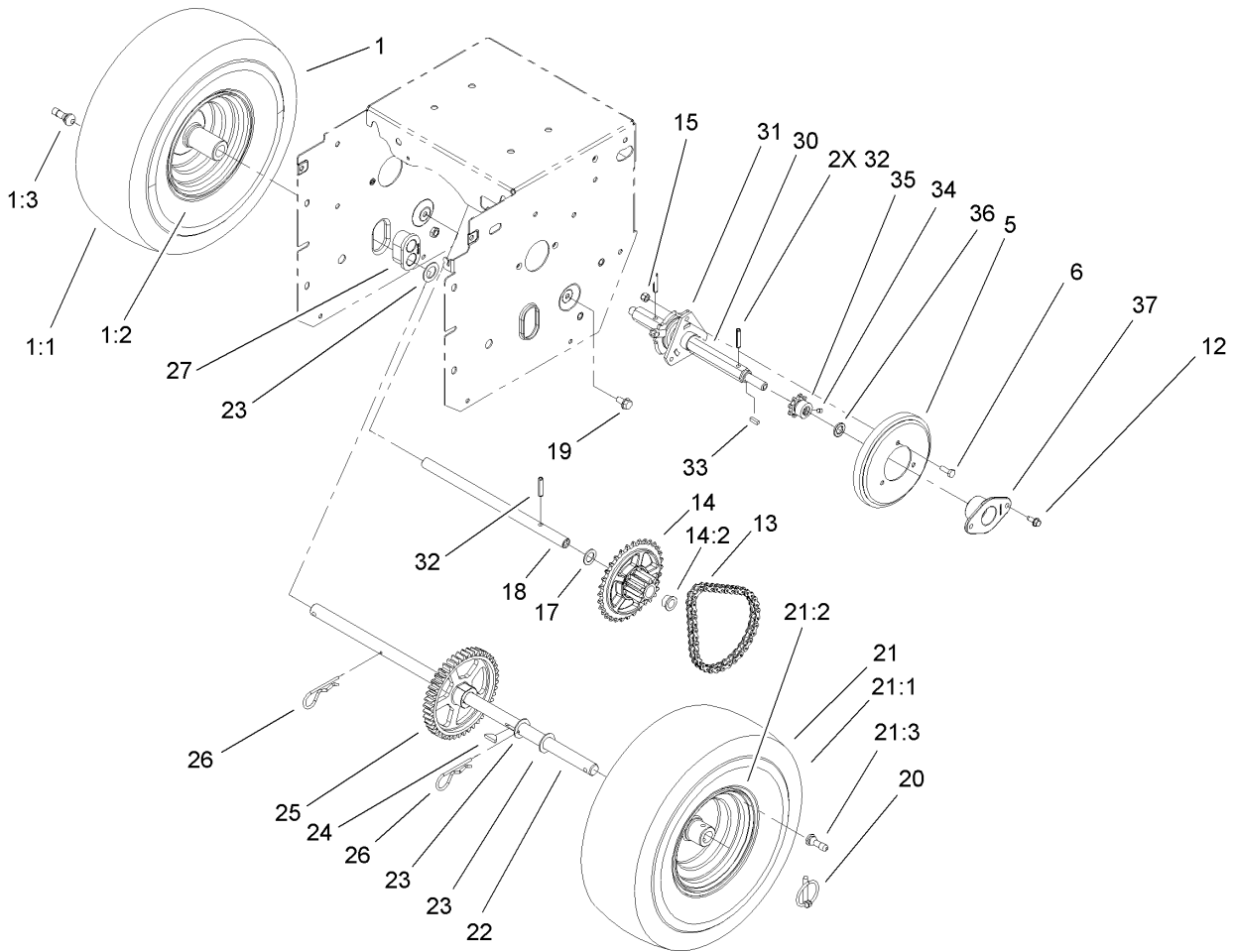


### Frame Assembly

Ref	Part No.	Qty.	Description
1	323-8	1	Screw-HH
2	92-7104	1	Pulley-Idler
3	107-1047	1	Nut
4	107-1039	1	Bracket-Idler, Impeller
5	3296-42	3	Nut-Lock, NI
6	3290-456	1	Washer-Belleville
7	3296-59	2	Nut-Lock, NI
8	322-3	1	Screw-HH
9	107-3838-03	1	Impeller Clutch ASM
10	106-7341	1	Bracket-Rear, Clutch
11	99-6810	2	Screw-HH
12	108-5056	1	Bolt-Shoulder
13	108-5058	1	Arm-Idler, Traction
14	3-4244	1	Pulley-Idler
15	108-7332	1	Spring-Torsion
16	107-1013	2	Nut-Speed, U-Type
17	3234-7	2	Screw-HHF
18	107-1045	1	Spring-Extension
19	107-1003	1	Spring-Extension
20	3296-76	1	Nut-Lock, NI
21	5-4460	2	Washer-Pivot
22	106-4556-01	1	Cover-Upper
23	32144-10	16	Screw-HWH
24	108-0036	1	Bracket-Rod, Shift

Ref	Part No.	Qty.	Description
25	106-7268	1	Lever-Control, Traction
26	108-0026-01	1	Shift Plate ASM
27	106-7345-01	1	Cover-Lower
28	25-5640	1	Washer
29	27-0410	1	Screw-Shoulder
30	3272-4	1	Pin-Cotter
31	3256-23	1	Washer-Flat
32	107-1011	1	Bellcrank-Drive
33	106-4467	1	Link-Control, Speed
34	3290-307	1	Pin-Hair
35	32151-61	2	Ring-Retaining
36	256-257	2	Bushing-Nyliner
37	106-7330-01	1	Pan-Bottom
38	112-8128	1	Frame Brace ASM
39	107069	8	Clip
40	108-0031	1	Traction Pulley ASM
41	108-7307	1	Friction Wheel Bracket ASM
42	3290-340	1	Washer-Belleville
43	3296-5	1	Nut-Lock
44	114-9259-01	1	Traction Frame ASM
45	66-8060	1	Pad-Brake
46	107-1000	1	Arm-Brake
47	92-9698	1	Screw-Shoulder
48	32144-14	4	Screw-HWHTF

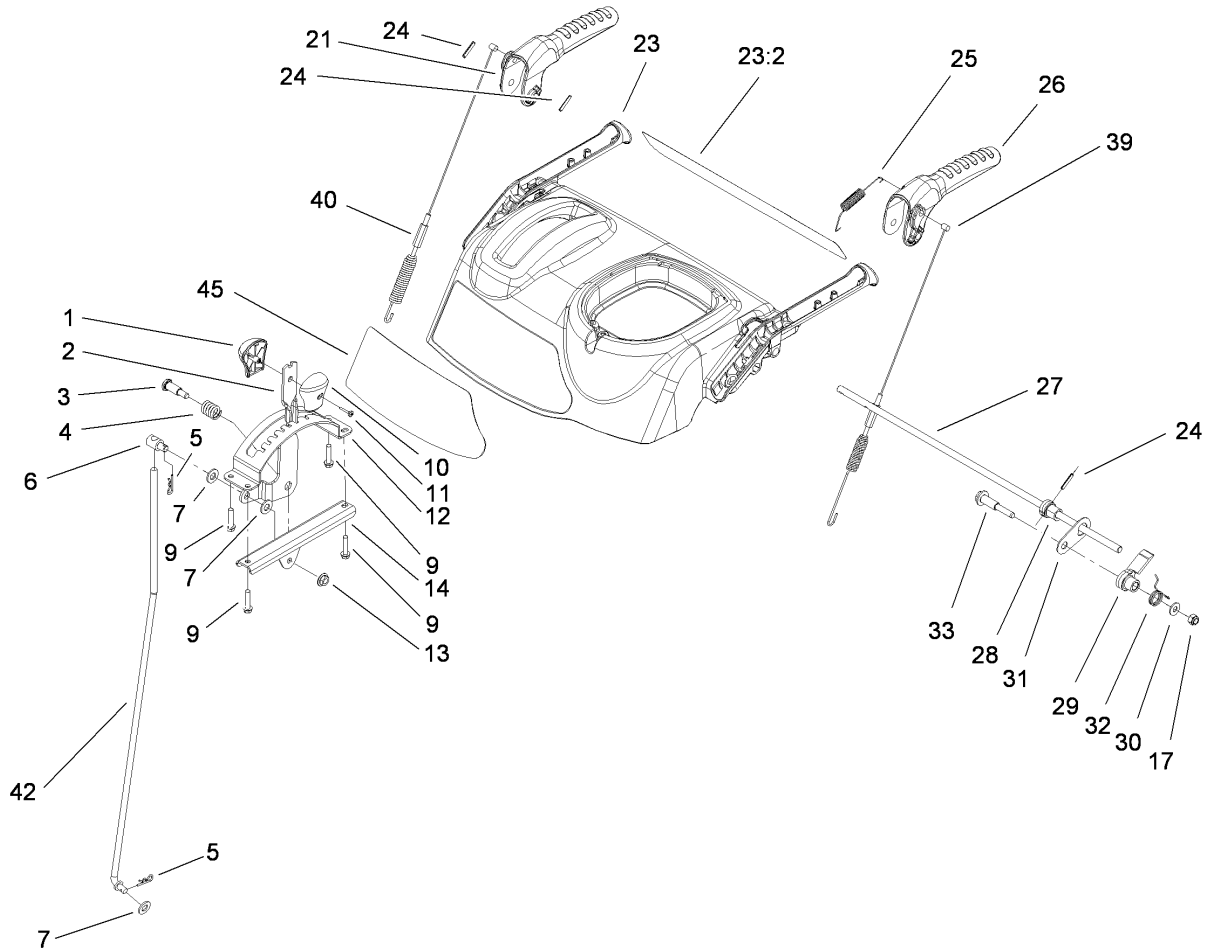




## Chain Drive Assembly

Ref	Part No.	Qty.	Description
1		1	RH Wheel And Tire ASM
1:1	107-3042	1	Tire
1:2	107-3043	1	Rim-Tire
1:3	232-27	1	Stem-Valve
5	106-4480	1	Wheel-Friction
6	321-4	3	Screw-HH
12	32144-10	4	Screw-HWH
13	108-0016	1	Chain-Roller
13	2710-6	1	Link-Connecting
14	108-0013	1	Sprocket ASM
14:2	108-2974	2	Bushing-Flange
15	3296-42	3	Nut-Lock, NI
17	107-3041	1	Washer-Flat
18	106-4592	1	Shaft-Intermediate
19	32144-14	2	Screw-HWHTF
20	107-3039	2	Klik Pin ASM
21		1	LH Wheel And Tire ASM
21:1	107-3042	1	Tire
21:2	107-3043	1	Rim-Tire
21:3	232-27	1	Stem-Valve
22	106-4449	1	Shaft-Axle
23	3-8664	3	Washer-Thrust
24	3257-7	1	Key-Woodruff
25	106-4572	1	Gear-Axle, 44 Tooth

Ref	Part No.	Qty.	Description
26	3290-343	2	Pin-Hair
27	106-4558	2	Bearing-Axle
30	108-5054	1	Shaft-Hex
31	106-4434	1	Trunion-Hex
32	32121-9	3	Pin-Roll, Slotted
33	94-8850	1	Key-Square
34	3245-32	2	Screw-HSH
35	106-7317	1	Sprocket-8 Tooth
36	108-5059	1	Spacer-Bushing
37	108-7319	2	Retainer-Bearing

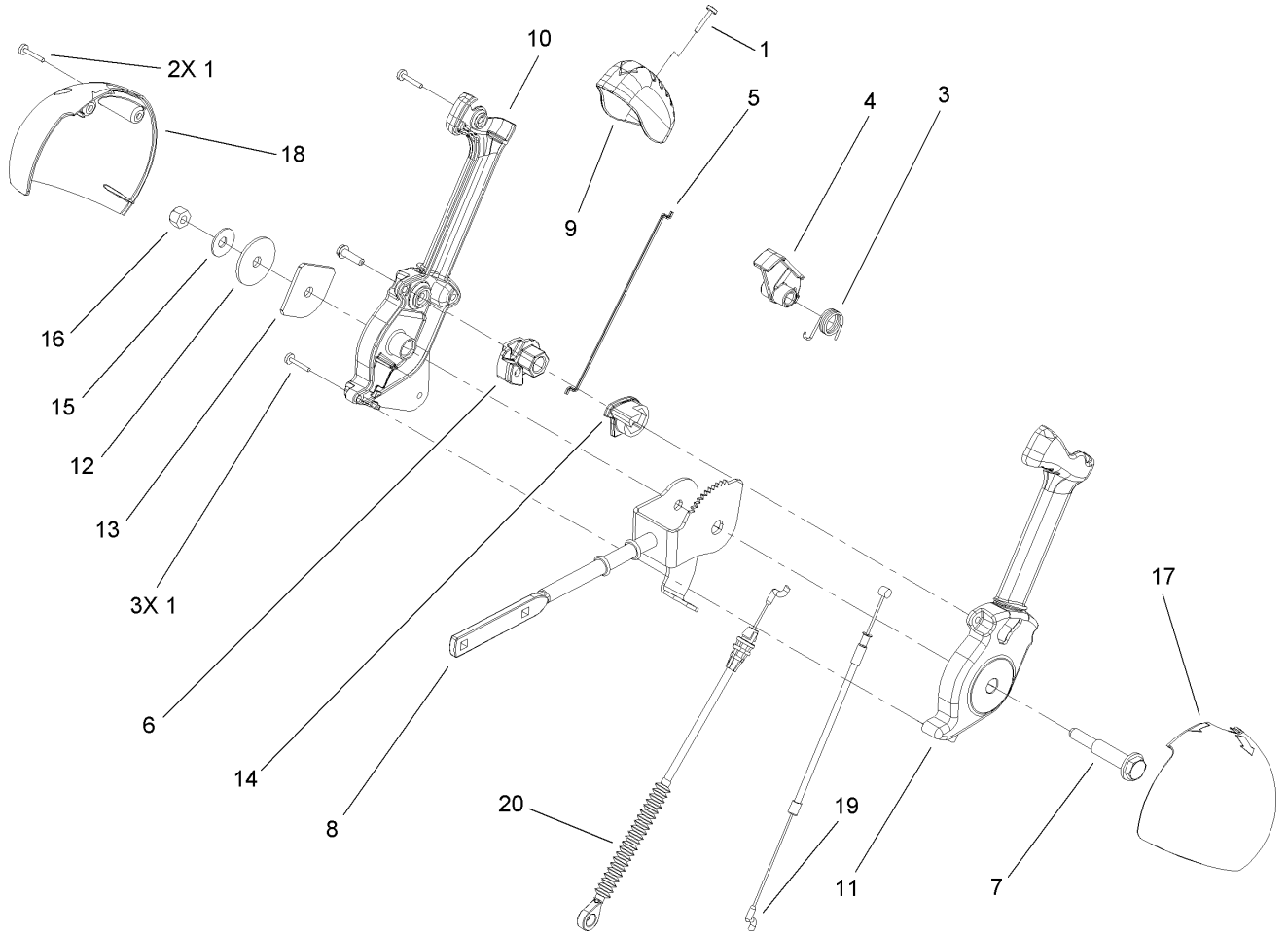


## Handle and Control Assembly

Ref	Part No.	Qty.	Description
1	106-4423	1	Knob-Shift, RH
2	106-7278-03	1	Selector-Speed
3	63-2650	1	Screw-Shoulder
4	108-7313	1	Spring-Compression
5	3290-307	2	Pin-Hair
6	110-3446	1	Trunion-Rod
7	3256-24	3	Washer-Flat
9	46-8092	4	Screw-Plastite
10	105-9999	1	Knob-Shift, LH
11	94-4496	1	Screw-PPH
12	106-7277-03	1	Guide-Selector, Speed
13	32128-13	1	Nut-HF
14	106-7279-03	1	Mount-Selector, Speed
17	3296-72	1	Nut-Lock, NI
21	106-4413	1	Lever-Augur
23	112-6631	1	Control Panel ASM
23:2	112-6626	1	Decal-Panel, Control
24	32121-125	3	Pin-Spring
25	107-3001	1	Spring-Tension
26	106-4410	1	Lever-Traction
27	105-9996	1	Rod-Lockout
28	107-1043	1	Cam-Lockout
29	108-0023	1	Latch-Lockout
30	98-3499	1	Washer-Flat

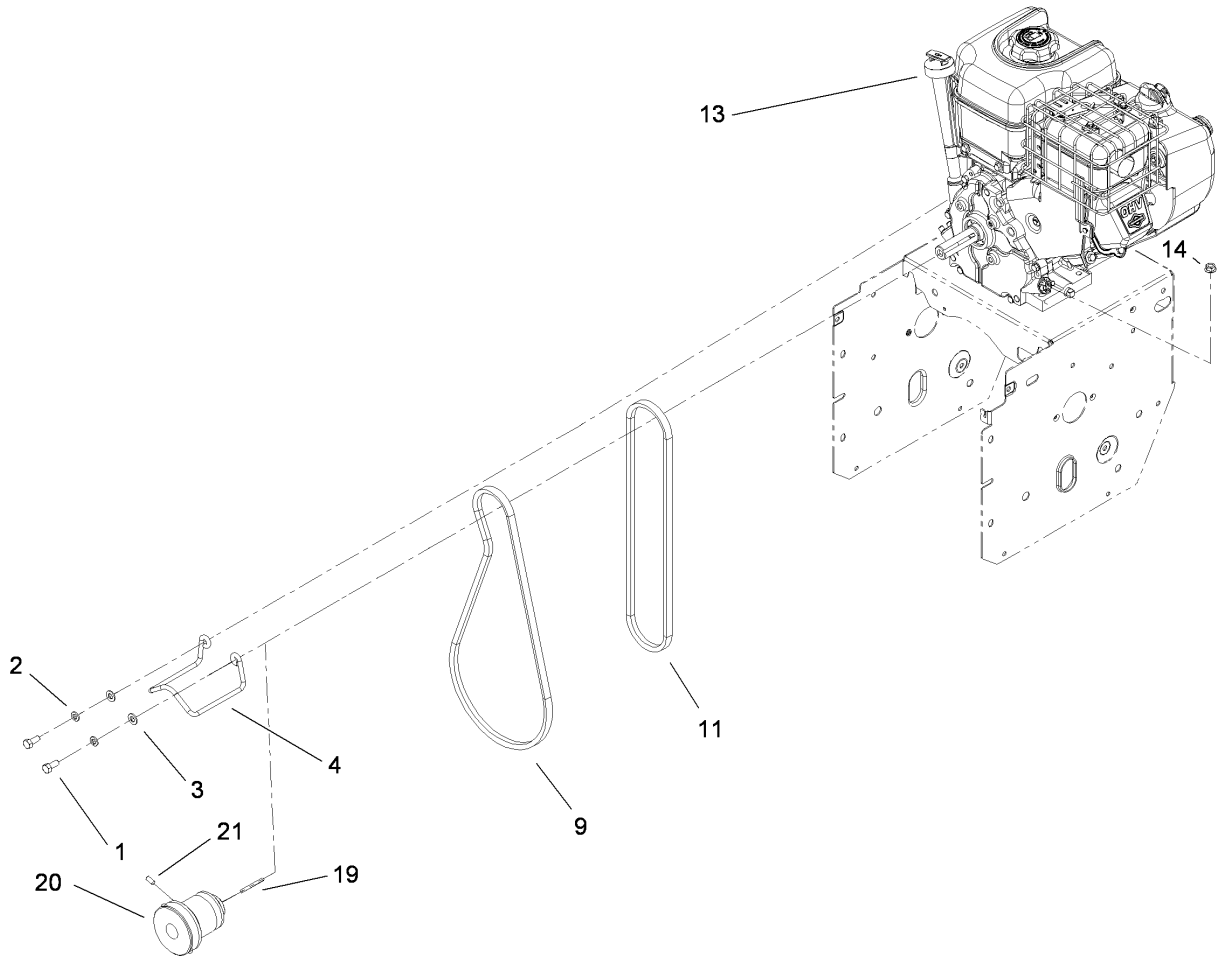
Ref	Part No.	Qty.	Description
31	107-3000	1	Link-Lockout
32	108-0024	1	Spring-Torsion
33	106-4412	1	Screw-Shoulder
39	115-5671	1	Cable-Traction
40	115-5680	1	Cable-Augur
42	107-1005	1	Rod-Shift
45	112-8143	1	Decal-Control Panel





## Lever Chute Control Assembly

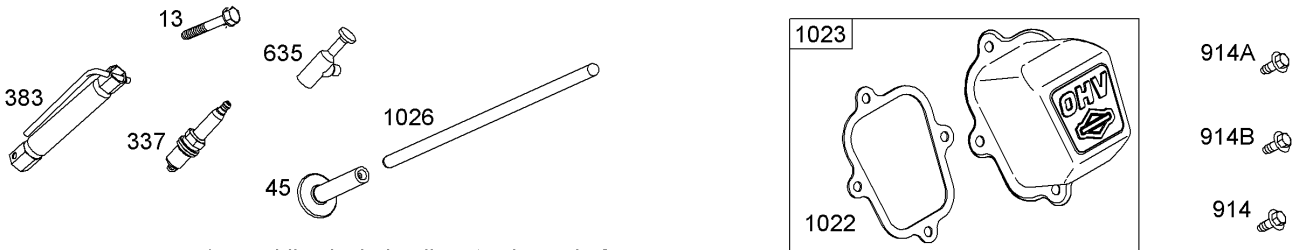
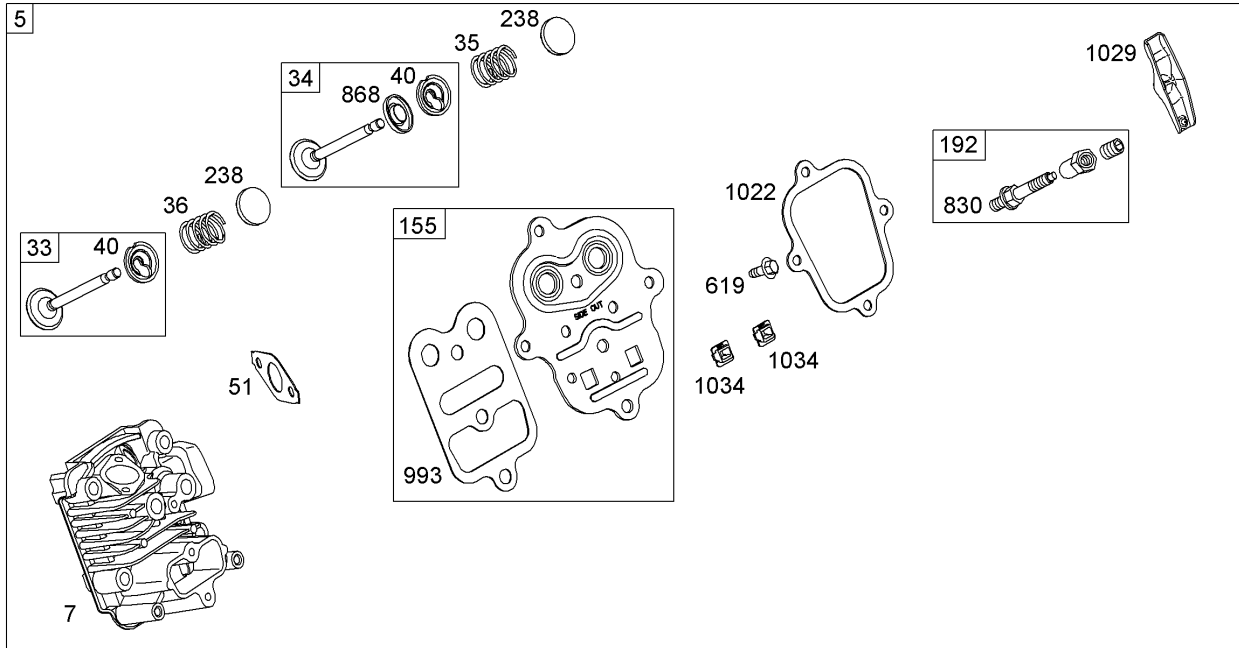
Ref	Part No.	Qty.	Description
1	94-4496	6	Screw-PPH
3	105-9982	1	Spring-Torsion
4	105-9984	1	Trigger-Latch
5	105-9985	1	Link-Latch
6	105-9988	1	Lever-Cable, Deflector
7	105-9995	1	Screw-Shoulder
8	106-4479	1	Rod-Control, Chute
9	106-7280	1	Cap-Lever
10	106-7281	1	Lever-Chute Control, RH
11	106-7282	1	Lever-Chute Control, LH
12	107-3002	1	Washer-Nylon
13	106-7295	1	Plate-Friction
14	106-7310	1	Pawl-Latch
15	3290-456	1	Washer-Belleville
16	3296-29	1	Nut-Lock, NI
17	105-9986	1	Cover-Chute Lever, LH
18	106-7292	1	Cover-Chute Lever, RH
19	105-9989	1	Cable-Release, Chute
20	105-9990	1	Cable-Control, Deflector



## Engine Assembly

Ref	Part No.	Qty.	Description
1	3210-3	2	Screw-HH
2	3253-4	2	Washer-Lock
3	3256-23	2	Washer-Flat
4	107-3835	1	Guide-Belt
9	106-4498	1	Belt-V
11	94-8812	1	V Belt-Traction
1 2	13	1	Engine-Briggs, 15D104-0112-E1
14	32128-20	4	Nut-HF
19	7-0036	1	Key-Square
20	114-9252	1	Pulley-Engine
21	3245-9	2	Screw-Set



Assemblies include all parts shown in frames

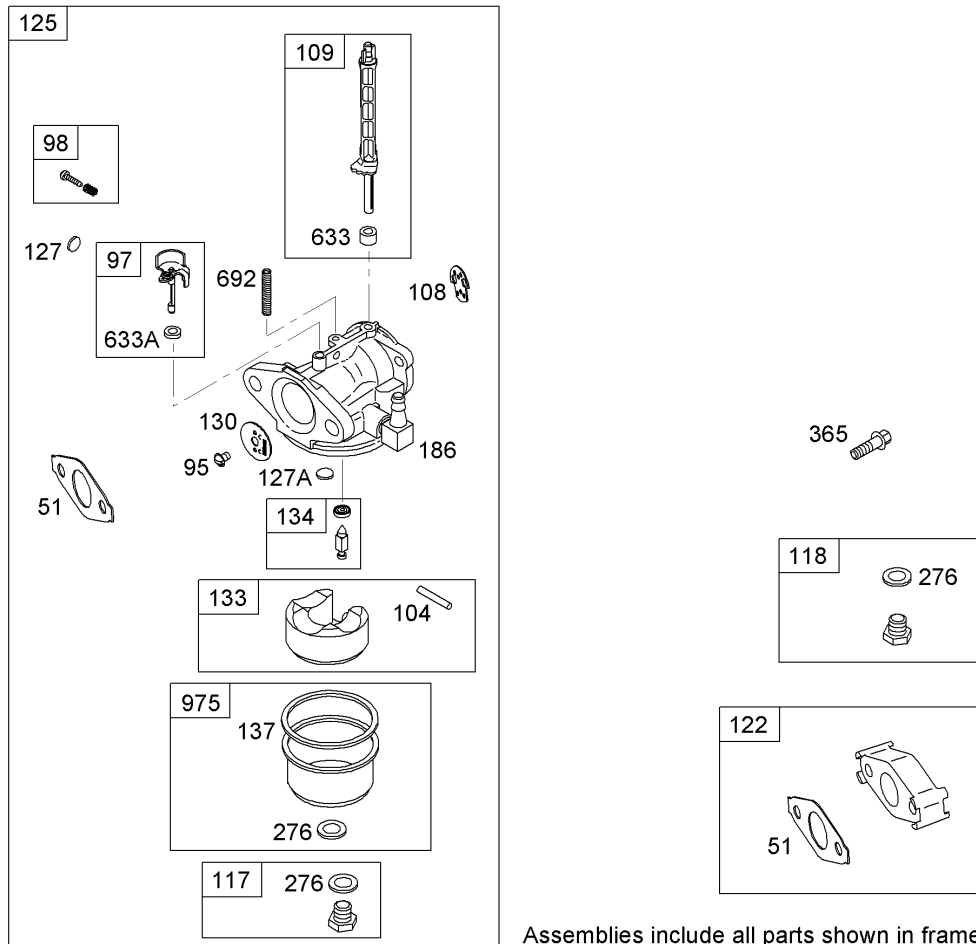
## Cylinder Head Assembly Briggs and Stratton 15D104-0112-E1

Ref	Part No.	Qty.	Description
25	791720	1	Head-Cylinder
247	791716	1	Gasket-Head, Cylinder
6			
213	699482	1	Screw (Cylinder Head)
233	499642	1	Valve-Exhaust
234	499641	1	Valve-Intake
235	691304	1	Spring-Valve (Intake)
236	691304	1	Spring-Valve (Exhaust)
240	692194	1	Retainer-Valve
245	690977	1	Tappet-Valve
2451	791718	1	Gasket-Intake
6			
2155	698214	1	Plate-Head, Cylinder
2192	694543	1	Adjuster-Arm, Rocker
2238	691300	1	Cap-Valve
2337	691043	1	Spark Plug
2383	19374s	1	Wrench-Spark Plug
2619	699480	1	Screw (Cylinder Head Plate)
2635	692927	1	Boot-Sparkplug
2830	694544	1	Stud (Rocker Arm)
24868	692044	1	Seal-Valve
6			
2914	699480	1	Screw (Rocker Cover) (Bottom)
2914A	692557	1	Screw (Rocker Cover) (Top)
2914B	697551	1	Screw (Rocker Cover) (Center)

Ref	Part No.	Qty.	Description
24993	694088	1	Gasket-Head Plate, Cylinder
6			
241022	691890	1	Gasket-Cover, Rocker
6			
21023	499924	1	Cover-Arm, Rocker
21026	790287	1	Rod-Push
21029	691230	1	Arm-Rocker
21034	691343	1	Guide-Rod, Push





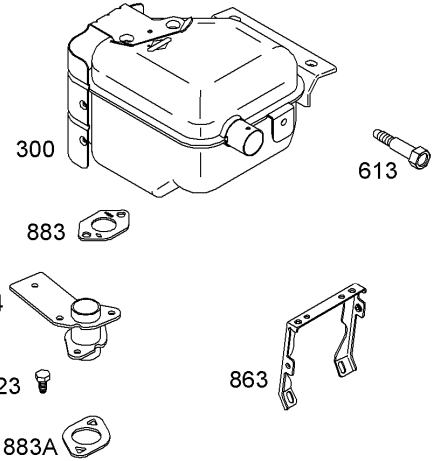
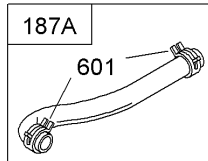
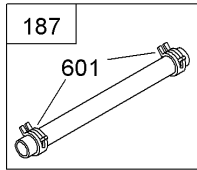
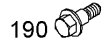
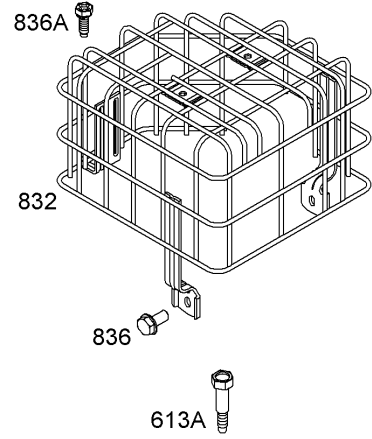
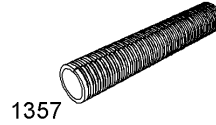
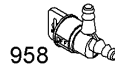
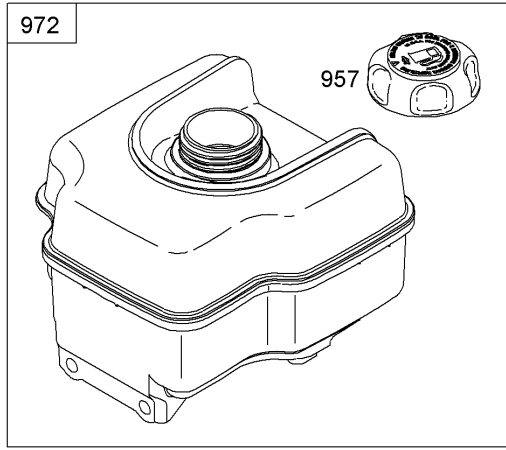


Assemblies include all parts shown in frames

## Carburetor Assembly Briggs and Stratton 15D104-0112-E1

Ref	Part No.	Qty.	Description
2 51	791718	1	Gasket-Intake
1 5			
2 95	691636	1	Screw (Throttle Valve)
2 97	690024	1	Shaft-Throttle
2 98	398185	1	Idle Speed Kit
2 104	691242	1	Pin-Hinge, Float
2 108	695807	1	Valve-Choke
2 109	791957	1	Shaft-Choke
2 117	694176	1	Jet-Main (STD)
2 118	690048	1	Jet-Main (High Altitude)
2 122	791717	1	Spacer-Carburetor
2 125	794588	1	Carburetor
2 127	694468	1	Plug-Welch
2 127A	691739	1	Plug-Welch
2 130	691181	1	Valve-Throttle
2 133	398187	1	Float-Carburetor
2 134	398188	1	Needle And Seat Kit
2 137	693981	1	Gasket-Bowl, Float
5			
2 186	692317	1	Connector-Hose
2 276	271716	1	Washer-Sealing
2 365	699484	1	Screw (Carburetor)
2 633	693867	1	Seal-Shaft, Choke Throttle
5			

Ref	Part No.	Qty.	Description
2 633A	691321	1	Seal-Shaft, Choke Throttle
5			
2 692	690572	1	Spring-Detent
2 975	790559	1	Bowl-Float



Assemblies include all parts shown in frames

## Muffler and Fuel Tank Assembly Briggs and Stratton 15D104-0112-E1

Ref	Part No.	Qty.	Description
② 187	791766	1	Line-Fuel (Cut To Required Length)
② 187A	791867	1	Line-Fuel (Molded)
② 190	699220	1	Screw (Fuel Tank)
② 300	699512	1	Muffler
② 601	791850	1	Clamp-Hose
② 613	697812	1	Screw (Muffler)
② 613A	699480	1	Screw (Muffler)
② 823	699209	1	Screw (Muffler Adapter)
② 832	699313	1	Guard-Muffler
② 836	791972	1	Screw (Muffler Guard)
② 836A	699234	1	Screw (Muffler Guard)
② 863	699849	1	Bracket-Muffler
② 864	699232	1	Adapter-Muffler
② 883	692237	1	Gasket-Exhaust
② 883A	691893	1	Gasket-Exhaust
② 957	792647	1	Cap-Tank, Fuel
② 958	698180	1	Valve-Shut Off, Fuel
② 972	694260	1	Tank-Fuel
② 1357	794700	1	Sleeve-Fuel Line

--	--	--	--













# Attachments and Accessories

For 38629 - Power Max 826 OE Snowthrower

Product Name	Model/Part
Tire Chain Kit .....	107-3813
Snow Cab .....	107-3814
Weight Kit .....	107-3815
26 Inch Drift Breaker .....	107-3816
Light Kit .....	107-3827

# NOTES

# NOTES

