



Channel Reinforcement Kit

Z400 Z Master Mowers

Model No. 112-8673

Installation Instructions

Note: Determine the left and right sides of the machine from the normal operating position.

1

Installing the Channel Plates

Parts needed for this procedure:

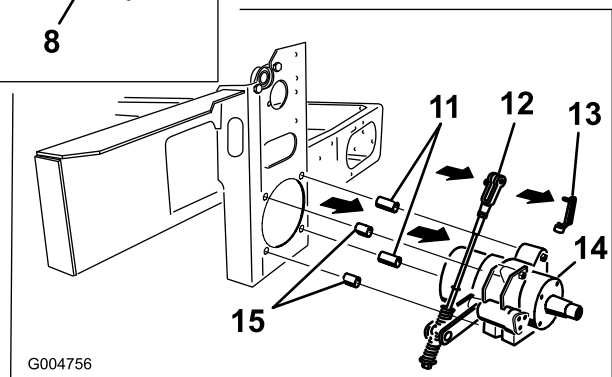
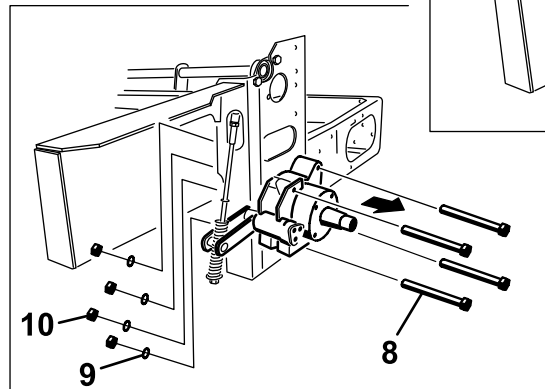
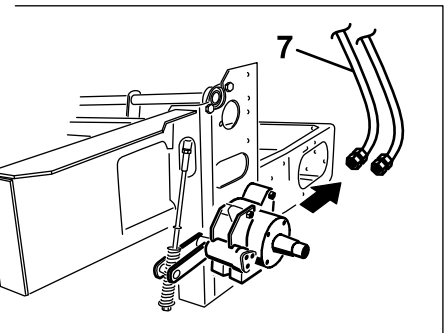
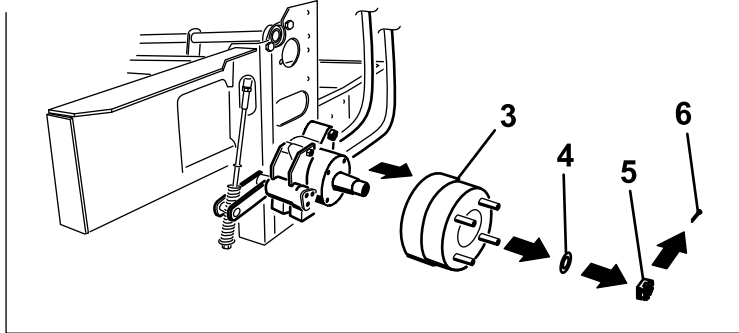
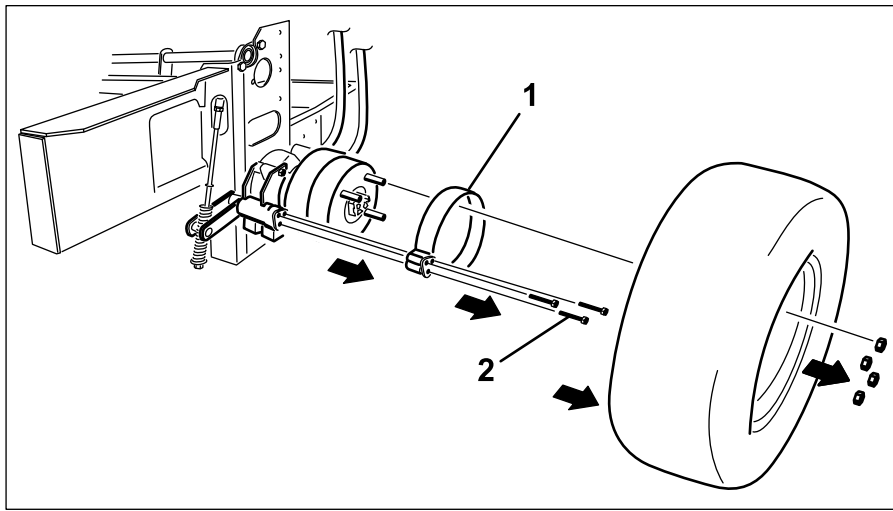
1	Small channel plate
4	Bolt (1/2 x 3-1/2 inches)
4	Flanged lock nut (1/2 inch)

Procedure

1. Disengage the PTO, move the motion control levers to the neutral locked position and set the parking brake.
2. Stop the engine, remove the key, and wait for all moving parts to stop before leaving the operating position.
3. Loosen the lug nuts or bolts on the rear tires (Figure 1).
4. Raise the machine so the rear tires are off the ground and support the machine with jack stands.
5. Remove the lug nuts or bolts and rear tires from the machine (Figure 1).
6. Remove the brake band bolts and remove the brake band from the wheel hub (Figure 1).
7. Remove the cotter pin from the axle nut and remove the axle nut and washer (Figure 1).
8. Pull the wheel hub from the wheel motor (Figure 1). This may require the use of a pulley puller to remove it.
9. If needed, remove the hydraulic lines connected to the wheel motor (Figure 1). Raise the ends above the hydraulic tank to prevent the fluid running out and plug the hydraulic lines.
10. Remove the retainer pin from the yoke at the top of the brake linkage (Figure 1).
11. Remove the bolts, washers and nuts holding the wheel motor to the frame and remove the wheel motor and brake assembly (Figure 1).

Note: Remember the position of the spacers. The long spacers are used for the rear bolts and the short spacers are used for the front bolts.

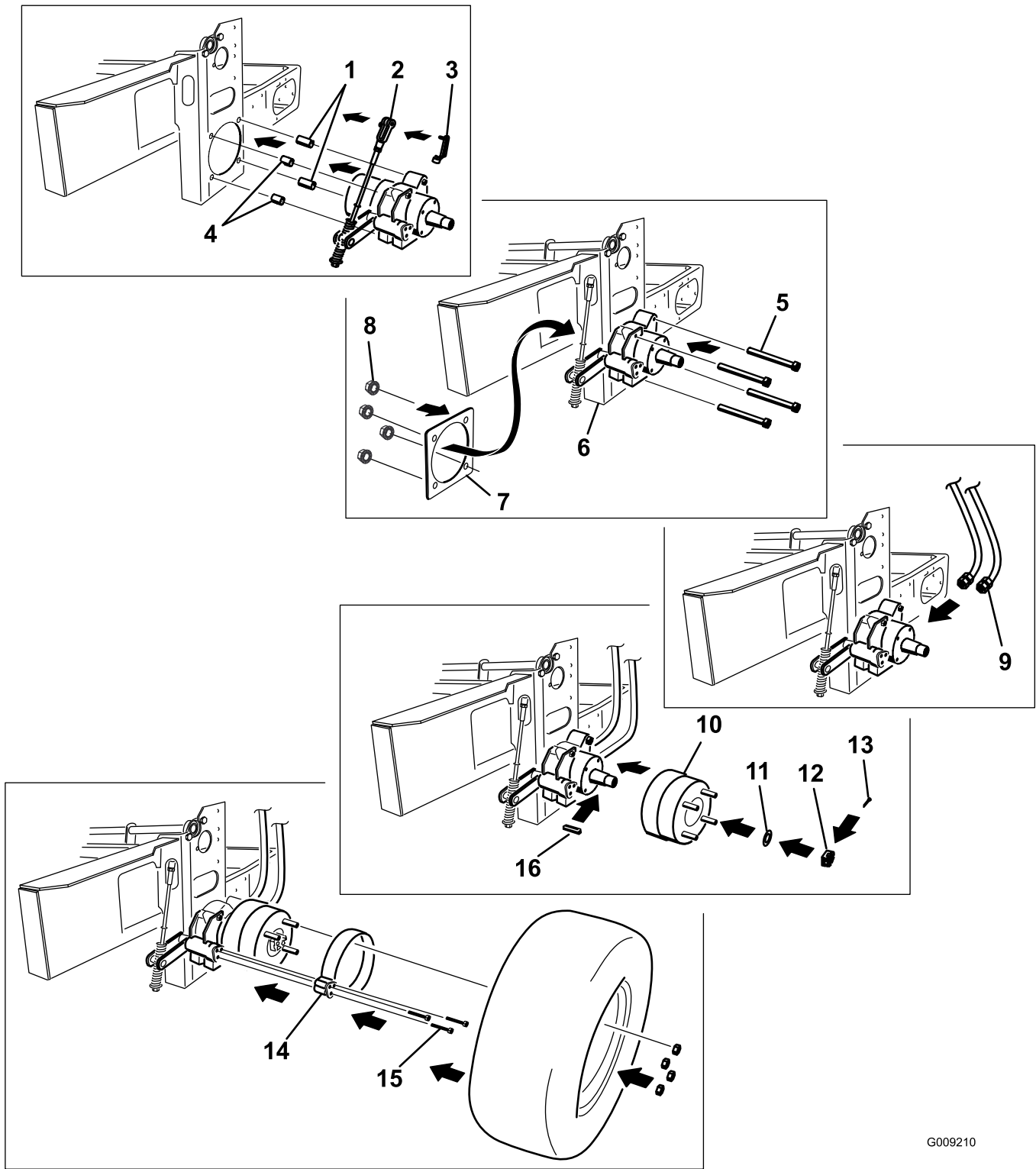
12. Place the small channel plate inside the frame channel (Figure 2).
13. Install the small channel plate, wheel motor, and brake assembly to the frame with the 2 short and long spacers, 4 flanged lock nuts (1/2 inch), and 4 bolts (1/2 x 3-1/2 inches) (Figure 2). Ensure the spacers are installed in the correct position.
14. Torque the bolts between 92 to 108 ft-lb (125 to 146 N-m)
15. Connect the hydraulic lines to the wheel motor if removed earlier (Figure 2).
16. Install the wheel hub to the wheel motor with the washer and slotted nut (Figure 2).



G004756

Figure 1

- | | | | |
|---------------------|---------------------------------------|--|------------------|
| 1. Brake band | 5. Slotted nut | 9. Washers | 13. Retainer pin |
| 2. Brake band bolts | 6. Cotter pin | 10. Nuts | 14. Wheel motor |
| 3. Wheel hub | 7. Hydraulic lines (remove if needed) | 11. Long spacer | 15. Short spacer |
| 4. Washer | 8. Wheel motor bolts | 12. Yoke at the top of the brake linkage | |



G009210

Figure 2

- | | | | |
|---|--|---|----------------------|
| 1. Long spacer | 5. Wheel motor bolt (1/2 x 3-1/2 inches) | 9. Hydraulic lines (install if removed) | 13. Cotter pin |
| 2. Yoke at the top of the brake linkage | 6. Channel | 10. Wheel hub | 14. Brake band |
| 3. Retainer pin | 7. Small channel plate | 11. Washer | 15. Brake band bolts |
| 4. Short spacer | 8. Flanged lock nut (1/2 inch) | 12. Slotted nut | 16. Key |

17. Torque the slotted nut to 125 ft-lb (170 N-m) (Figure 3).
18. Check the distance from bottom of slot in nut to inside edge of hole. Two threads or less should be showing (Figure 3).
19. If more than two threads are showing remove nut and install washer between hub and nut.
20. Tighten the nut until the next set of slots line up with the hole in the shaft (Figure 3).
21. Replace the cotter pin (Figure 2).

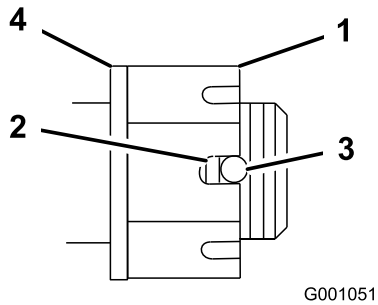


Figure 3

- | | |
|--------------------------------|---------------------------|
| 1. Slotted Nut | 3. Hole in threaded shaft |
| 2. Two threads or less showing | 4. Washer (if needed) |

-
22. Install the tire with wheel nuts or bolts to the machine (Figure 1).
Torque the wheel nuts to 95 ft-lb (128 N-m).