



## 22in Recycler<sup>®</sup> Lawn Mower

Model No. 20332C - 290000001 and up.

### Parts Catalog

---

#### **Ordering Replacement Parts**

To order replacement parts, please supply the part number, the quantity, and the description of each part desired.

#### **Understanding Reference Numbers**

Each Identified part in an illustration has a reference number. The reference number for a part also appears in the parts list, along with other information about the part.

This catalog uses two special reference number formats, one to indicate parts in a service assembly and another to indicate the quantity of a given part in an illustration.

#### **Service Assembly Reference Numbers**

Parts in service assemblies have reference numbers in the form a:b. The a represents the reference number of the entire service assembly and the b represents a sequential number unique to each part within the service assembly.

For example, a wheel assembly might be identified by reference number 6, the tire by 6:1, the valve by 6:2, and the wheel by 6:3. When you order the assembly identified by reference number 6, you receive all parts identified by reference numbers 6:1, 6:2, and 6:3. However, you may also order any part individually. Reference numbers of this type appear in illustrations and in part lists.

#### **Reference Numbers Indicating Quantity**

In an illustration, if a reference number indicates more than one part, the reference number has the form nX y. The n represents the quantity of the part, the X is the multiplication symbol, and the y represents the reference number.

For example, in an illustration, the reference number 2X 37 means that two of the parts identified by reference number 37 are indicated.

# Contents

Description	Page	Description	Page
Deck, Side Chute and Rear Door Assembly	3	Air Cleaner Assembly Briggs and Stratton 126T02-0216-B1	13
Front Axle Assembly	4	Governor Assembly Briggs and Stratton 126T02-0216-B1	14
Engine and Blade Assembly	5	Muffler and Fuel Tank Assembly Briggs and Stratton 126T02-0216-B1	15
Rear Axle and Transmission Assembly	6	Blower Housing Assembly Briggs and Stratton 126T02-0216-B1	16
Handle Assembly	7	Starter Assembly Briggs and Stratton 126T02- 0216-B1	17
Rear Bag Assembly	8	Engine Gasket Set Briggs and Stratton 126T02-0216-B1	18
Cylinder Assembly Briggs and Stratton 126T02-0216-B1	9	Carburetor Overhaul Kit Briggs and Stratton 126T02-0216-B1	19
Crankshaft Assembly Briggs and Stratton 126T02-0216-B1	10	Attachments and Accessories List	20
Crankcase Assembly Briggs and Stratton 126T02-0216-B1	11		
Carburetor Assembly Briggs and Stratton 126T02-0216-B1	12		

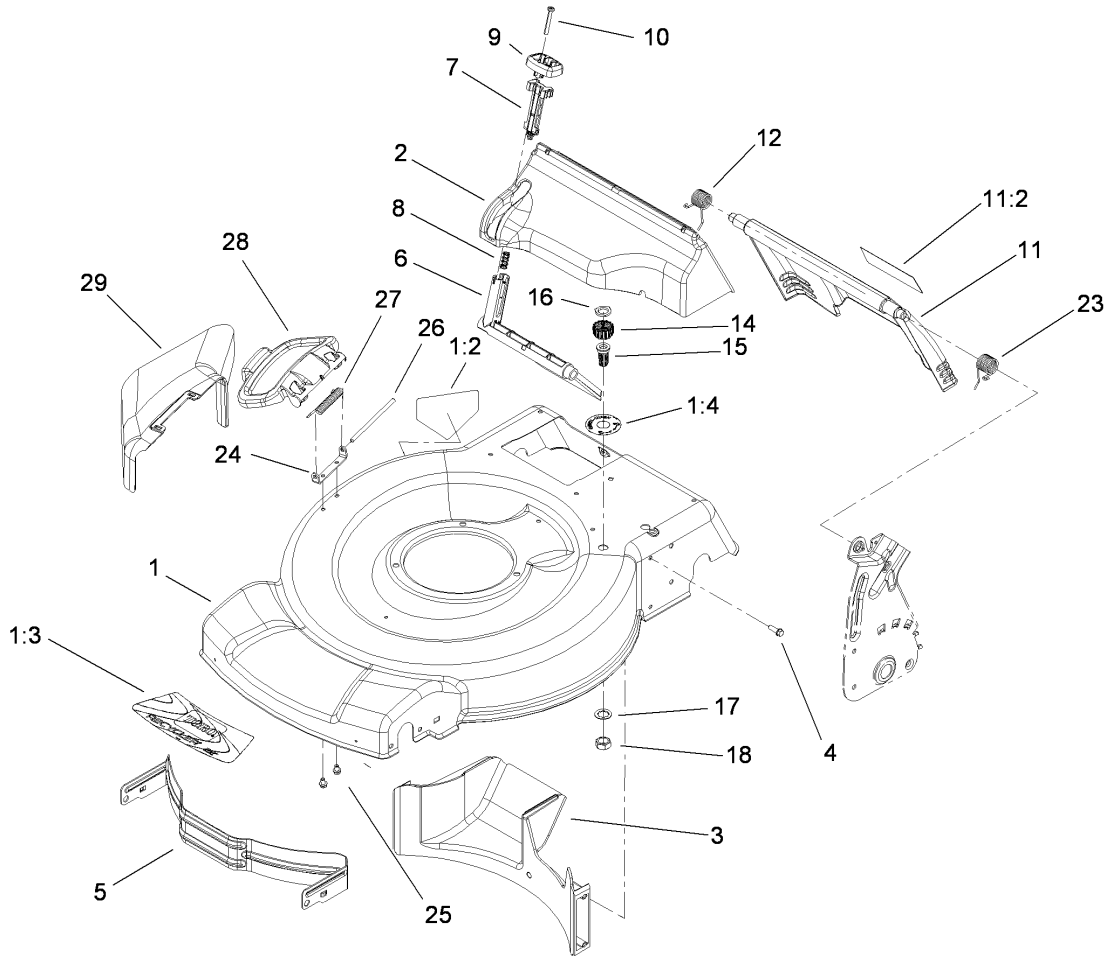
## Part Description Abbreviations

Part descriptions in this catalog may include the following abbreviations.

AR. . . . . as required	HYD. . . . . hydraulic
ASM. . . . . assembly	LH. . . . . left hand
BBC. . . . . blade brake clutch	NI. . . . . nylon insert
CARR. . . . . carriage	NPTF. . . . . national pipe thread fine
DEG. . . . . degrees	PFH. . . . . phillips flat head
EXT. . . . . external	PPH. . . . . phillips pan head
FH. . . . . flat head	PPHTF. . . . . phillips pan head thread forming
GA. . . . . gauge	PRH. . . . . phillips round head
HD. . . . . heavy-duty	PTH. . . . . phillips truss head
HF. . . . . hex flange	PTO. . . . . power-take-off
HH. . . . . hex head	RH. . . . . right hand
HHF. . . . . hex head flange	ROPS. . . . . roll-over protection system
HHFTF. . . . . hex head flange thread forming	SFH. . . . . slotted fillister head
HJ. . . . . hex jam	SHH. . . . . slotted hex head
HLH. . . . . hex lag head	SHWH. . . . . slotted hex washer head
HOC. . . . . height-of-cut	SPH. . . . . slotted pan head
HSBH. . . . . hex socket button head	SQH. . . . . square head
HSFH. . . . . hex socket flat head	SRH. . . . . slotted round head
HSH. . . . . hex socket head	STD. . . . . standard
HWH. . . . . hex washer head	TAP. . . . . self tapping
HWHTF. . . . . hex washer head thread forming	TTH. . . . . torx truss head

## Footnotes

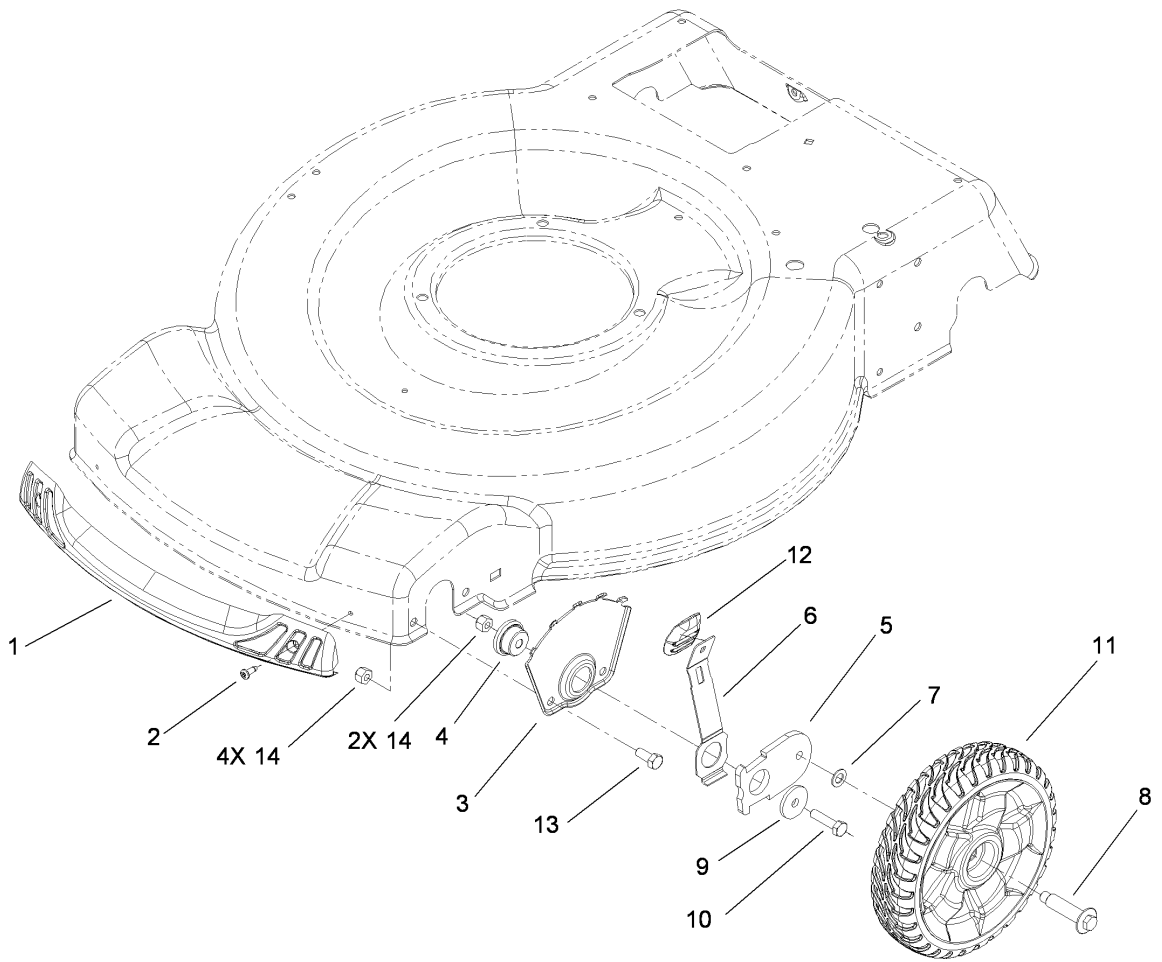
- |   |  |
|---|--|
| ❶ Not illustrated                                 | ❷ Not serviced separately                            |
| ❸ Obtain from your local Briggs & Stratton dealer | ❹ Included in Carburetor Overhaul Kit (Ref. No. 121) |
| ❺ Included in Engine Gasket Set (Ref. No. 358)    | ❻ Included in Carburetor Gasket Set (Ref. No. 977)   |



## Deck, Side Chute and Rear Door Assembly

Ref	Part No.	Qty.	Description
1	117-1084	1	Housing ASM
1:2	94-8072	1	Decal-Danger
1:3	115-4676	1	Decal-Recycler
1:4	112-8867	1	Decal
2	115-4677	1	Chute-Recycle
3	114-7961	1	Baffle-Rear
4	46-8091	9	Screw-HWH
5	114-7963-01	1	Baffle-Front
6	114-7960	1	Deflector-Recycle
7	114-7959	1	Latch-Recycle
8	117-1031	1	Spring-Compression
9	114-7958	1	Knob-Recycle
10	32104-120	2	Screw-PPH
11	114-7992	1	Rear Door ASM
11:2	114-7982	1	Decal-Warning
12	114-7924	1	Spring-Torsion
14	112-6401	1	Coupling-Hose, Washout Port
15	112-6400	1	Port-Washout
16	112-6438	1	Washer-Seal, Washout Port
17	3254-5	1	Washer-Tooth
18	3218-6	1	Nut-Jam
23	115-2859	1	Spring-Torsion
24	112-6416	1	Bracket-Cover
25	99-8445	2	Screw-HWH

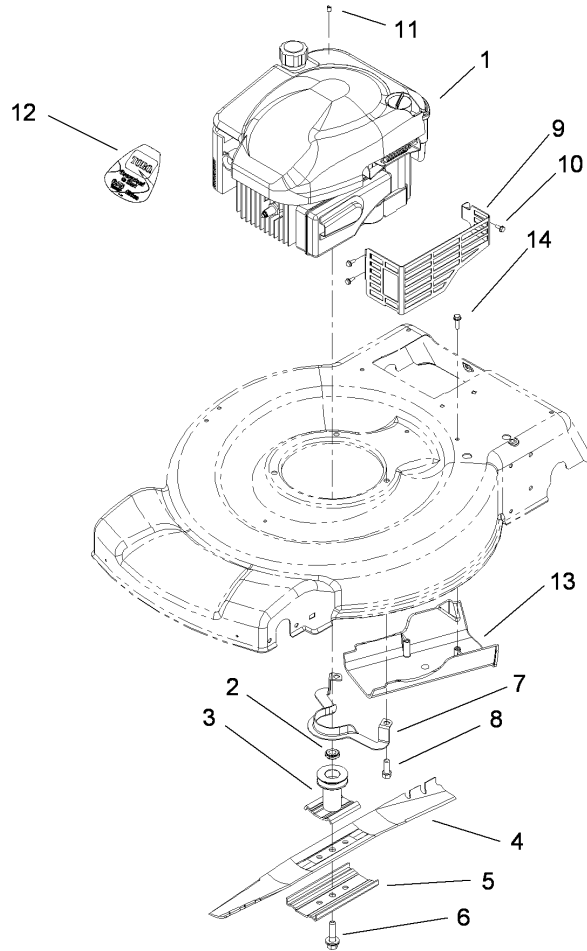
Ref	Part No.	Qty.	Description
26	99-5291	1	Rod-Cover
27	99-5293	1	Spring-Torsion
28	115-8449	1	Deflector-Side
29	115-8447	1	Chute-Discharge, Side



### Front Axle Assembly

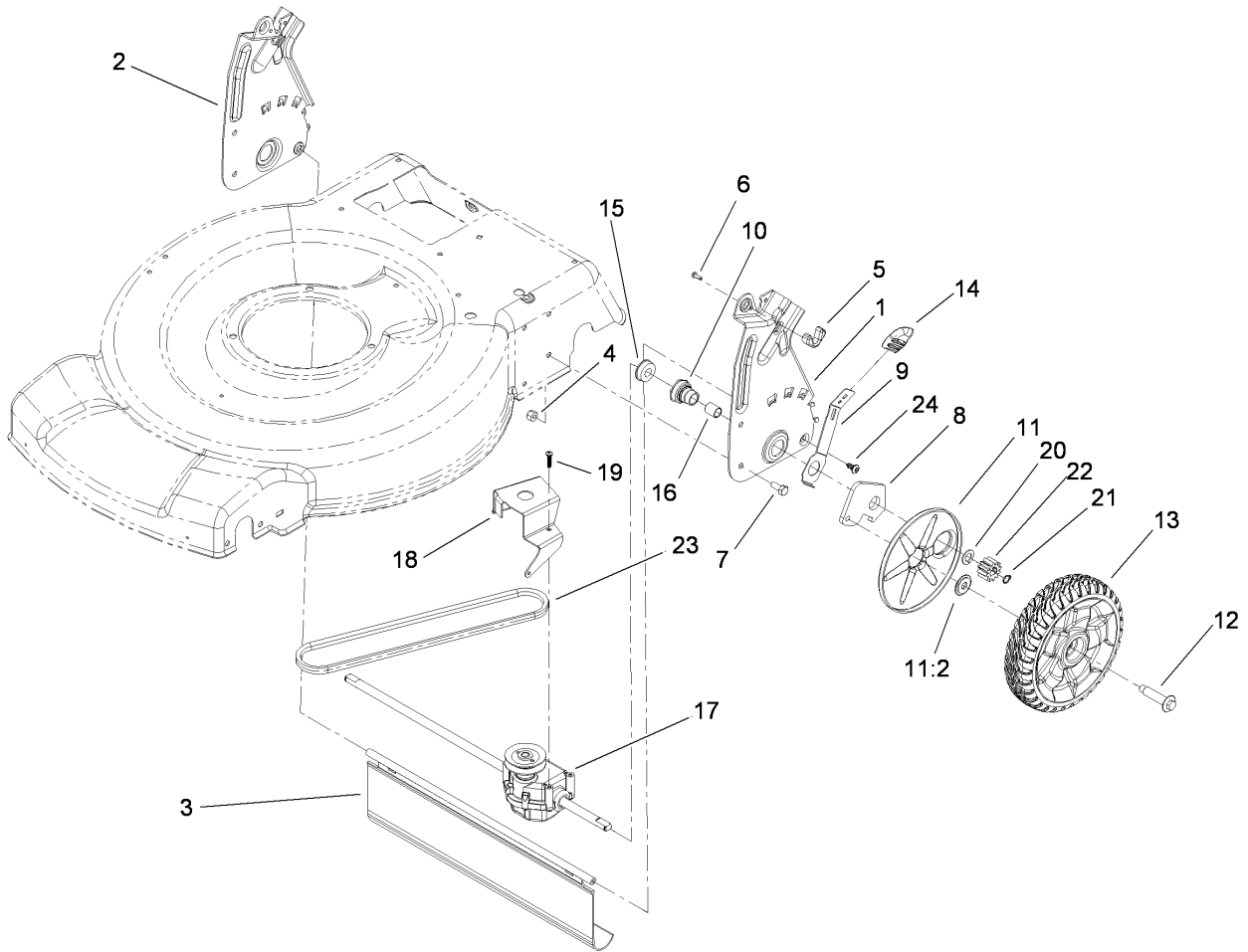
Ref	Part No.	Qty.	Description
1	114-7987	1	Bumper
2	105-6849	2	Screw-Thread Forming
3	115-1956-03	2	Plate-HOC, Front
4	105-1818	2	Bushing-Mount, HOC
5	105-1807	2	Arm-Pivot, Front
6	105-1809	2	Arm-Spring
7	40-1940	2	Washer
8	614650	2	Bolt-Shoulder
9	105-3048	2	Washer-Flat
10	322-6	2	Screw-HH
11	115-2894	2	8In Wheel ASM
12	105-3042	2	Knob-Lever, HOC
13	322-3	4	Screw-HH
14	3296-29	6	Nut-Lock, NI

--	--	--	--



## Engine and Blade Assembly

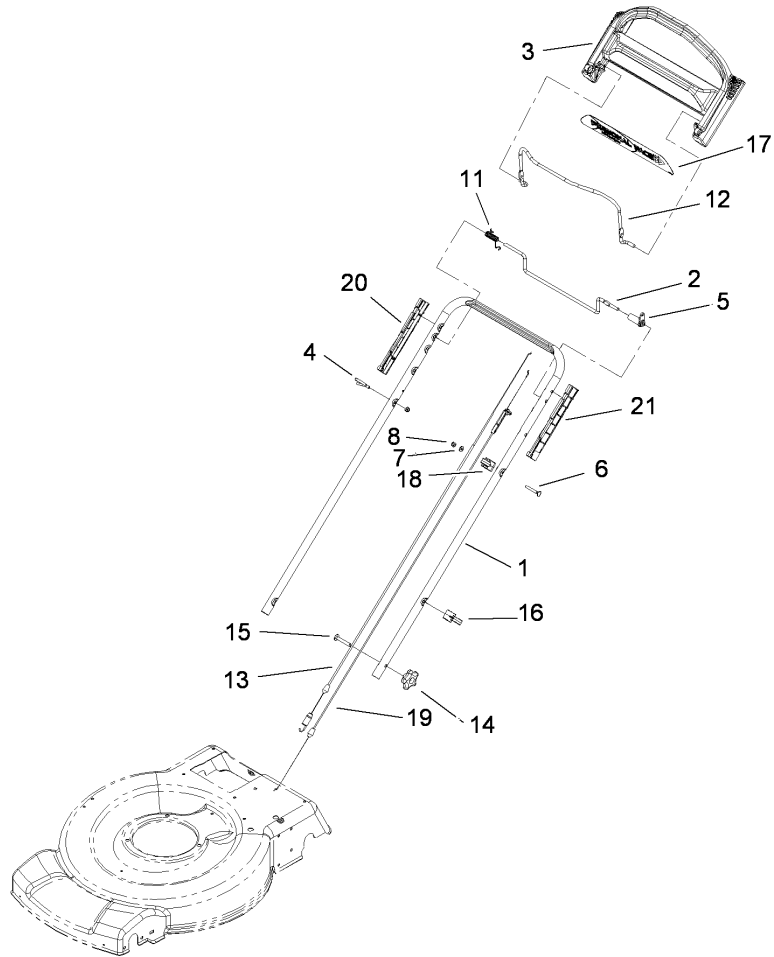
Ref	Part No.	Qty.	Description				
② ③ 1		1	Engine-Briggs, 126T02-0216-B1				
2	106-3999	1	Spacer-Driver				
3	106-3987	1	Blade Driver ASM				
4	108-9764-03	1	Blade-22 Inch				
5	108-3766-03	1	Support-Blade				
6	105-8579	1	Bolt-Blade				
7	105-3030-03	1	Guide-Belt				
8	95-1726	3	Screw-Taptite				
9	104-7577-03	1	Shield-Muffler				
10	32144-1	3	Screw-Taptite				
11	2210-316	1	Stop-Rope				
12	117-1017	1	Decal				
13	114-7937	1	Cover-Belt				
14	46-8091	2	Screw-HWH				



## Rear Axle and Transmission Assembly

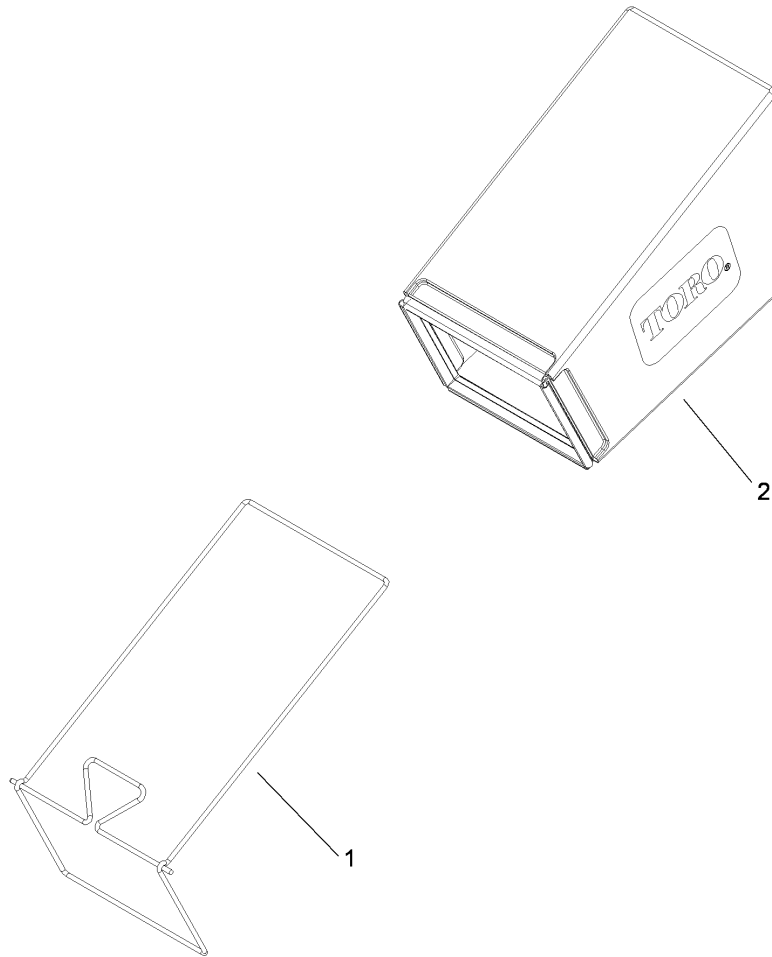
Ref	Part No.	Qty.	Description
1	114-7955-03	1	Plate-LH, Rear HOC
2	114-7956-03	1	Plate-RH, Rear HOC
3	115-2893	1	Shield-Trailing
4	3296-29	4	Nut-Lock, NI
5	115-8406	2	Anchor-Bag (Rwd)
6	105-9437	2	Screw-PPH
7	322-3	4	Screw-HH
8	108-9781	2	Arm-Pivot, Rear
9	108-9780	2	Arm-Spring
10	108-9779	2	Retainer-Bushing, HOC
11	110-1792	2	Wheel Cover ASM
11:1		1	Cover-Wheel
11:2	614426	1	Washer-Stepped
12	614650	2	Bolt-Shoulder
13	115-4695	2	Wheel Gear ASM
14	105-3042	2	Knob-Lever, HOC
15	104-8699	2	Bearing-Ball
16	108-9782	2	Bushing-Sleeve
17	115-4652	1	Transmission (4.5/1)
18	114-7977-03	1	Bracket-Transmission
19	108-7476	3	Screw-Plastite
20	110-7191	2	Washer-Thrust
21	32151-61	2	Ring-Retaining
22	115-4668	2	Gear-Pinion, 12T

Ref	Part No.	Qty.	Description
23	115-4669	1	V-Belt
24	117-1092	2	Screw-PPH



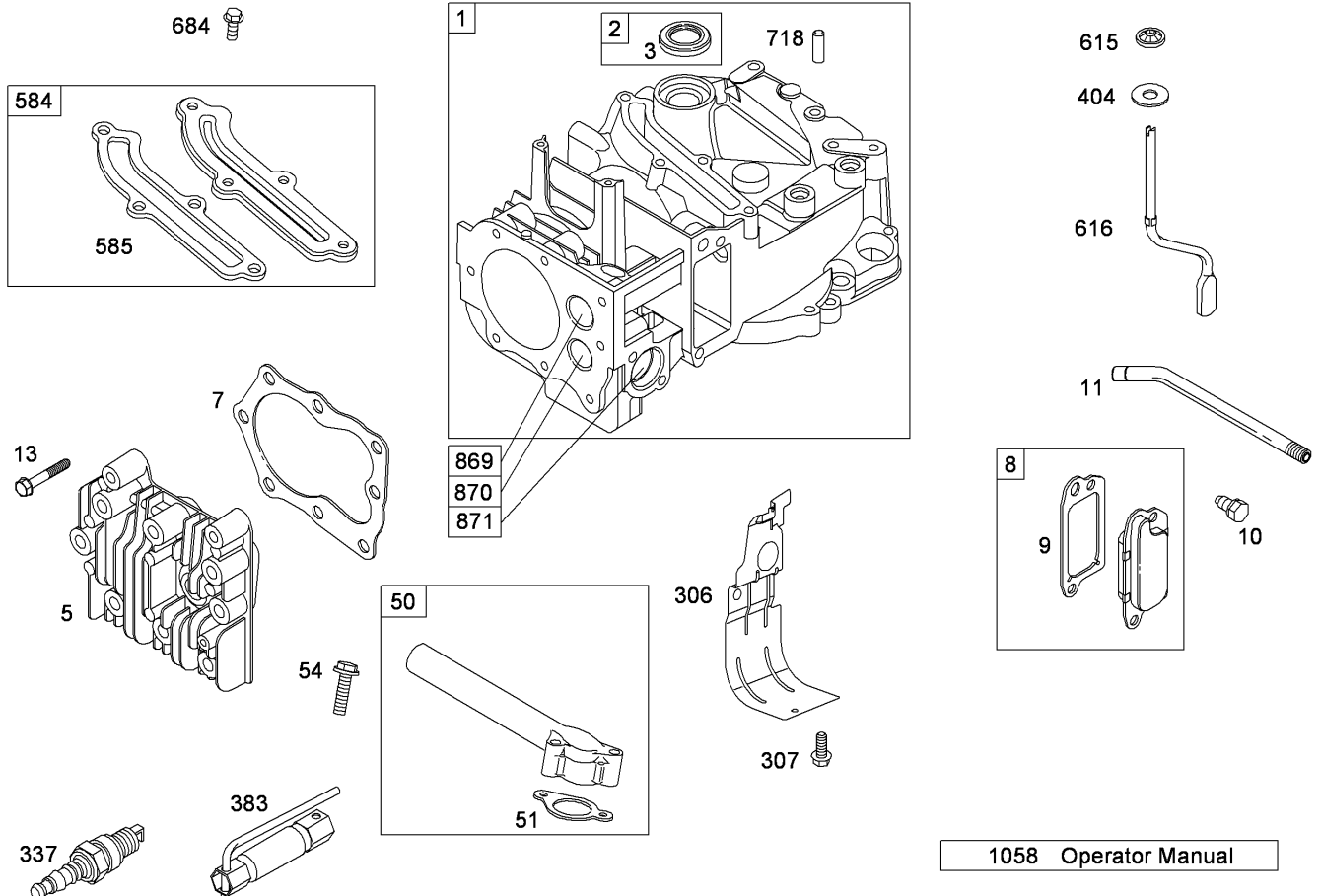
## Handle Assembly

Ref	Part No.	Qty.	Description				
1	114-0333-05	1	Handle				
2	99-1588	1	Bar-Control, Traction				
3	104-8678	1	Handle-Control				
4	86-9671	1	Guide-Rope				
5	99-1589	1	Lever-Traction				
6	95-4453	1	Screw				
7	3256-1	1	Washer-Flat				
8	3296-73	2	Nut-Lock, NI				
11	104-8690	1	Spring-Torsion				
12	104-8679-03	1	Bail-Brake				
13	115-8435	1	Cable-Traction				
14	108-8162	2	Knob-Locking				
15	3230-6	2	Screw-CARR				
16	106-6805	1	Guide-Cable				
17	117-1019	1	Decal				
18	99-5239	1	Anchor-Cable				
19	115-8437	1	Cable-Brake				
20	105-6841	1	Guide-RH				
21	105-6842	1	Guide-LH				



### Rear Bag Assembly

Ref	Part No.	Qty.	Description
1	114-2679-03	1	Bag Frame ASM
2	115-4673	1	Grass Bag ASM



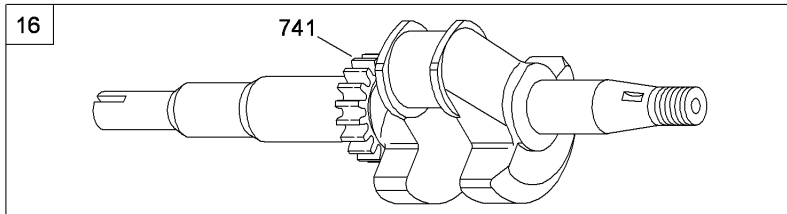
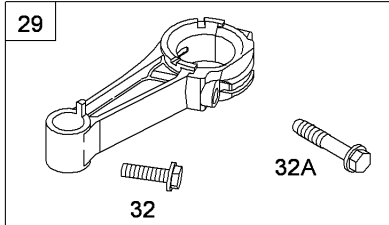
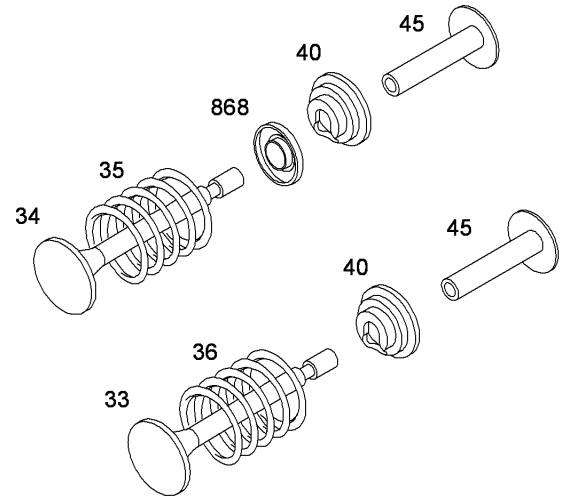
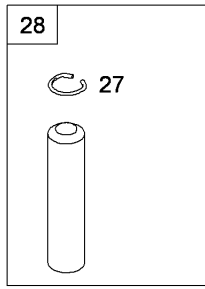
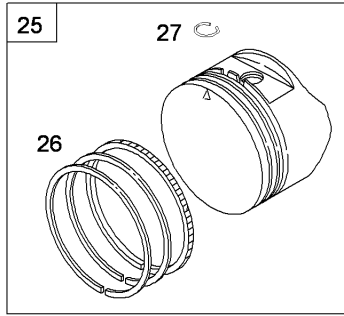
Assemblies include all parts shown in frames

# Cylinder Assembly

## Briggs and Stratton 126T02-0216-B1

Ref	Part No.	Qty.	Description
1	697322	1	Cylinder ASM
2	399269	1	Bushing And Seal Kit
3	299819s	1	Seal-Oil (Magneto Side)
5	691160	1	Head-Cylinder
7	692249	1	Gasket-Head, Cylinder
8	695250	1	Breather ASM
9	696125	1	Gasket-Breather
10	691125	1	Screw (Breather ASM)
11	691781	1	Tube-Breather
13	690912	1	Screw (Cylinder Head)
50	794305	1	Manifold-Intake
51	794306	1	Gasket-Intake
54	691650	1	Screw (Intake Manifold)
306	790836	1	Shield-Cylinder
307	690345	1	Screw (Cylinder Shield)
337	802592s	1	Plug-Spark
383	89838s	1	Wrench-Spark Plug
404	690272	1	Washer (Governor Crank)
584	697734	1	Cover-Passage, Breather
585	691879	1	Gasket-Passage, Breather
615	690340	1	Retainer-Shaft, Governor
616	698801	1	Crank-Governor
684	690345	1	Screw (Breather Passage Cover)
718	690959	1	Pin-Locating

Ref	Part No.	Qty.	Description
869	691155	1	Seat-Valve (Intake)
870	690380	1	Seat-Valve (Exhaust)
871	262001	1	Bushing-Guide (Exhaust)
871	63709	1	Bushing-Guide (Intake)
1058	277039TRI	1	Operator Manual



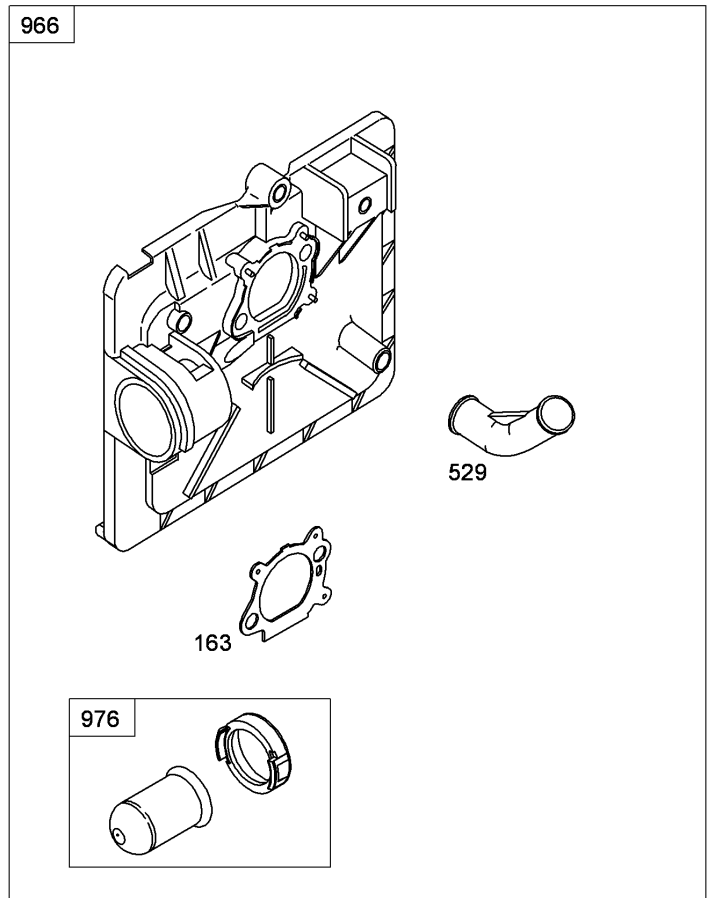
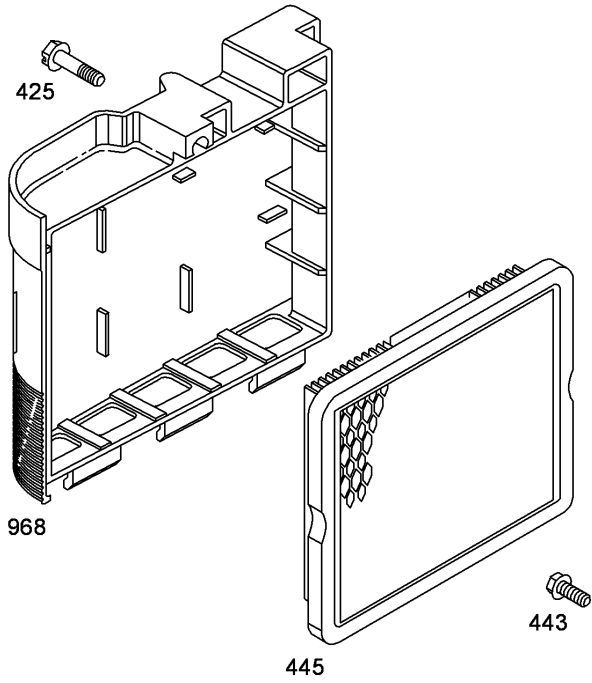
Assemblies include all parts shown in frames

## Crankshaft Assembly Briggs and Stratton 126T02-0216-B1

Ref	Part No.	Qty.	Description
16	696009	1	Crankshaft
24	222698s	1	Key-Flywheel
25	795429	1	Piston ASM (STD)
25	795430	1	Piston ASM (.020 Oversize)
26	795431	1	Ring Set (STD)
26	795432	1	Ring Set (.020 Oversize)
27	691866	1	Lock-Pin, Piston
28	499423	1	Pin-Piston (STD)
29	499424	1	Rod-Connecting
32	691664	1	Screw (Connecting Rod)
32A	695759	1	Screw (Connecting Rod)
33	262651s	1	Valve-Exhaust
34	262652s	1	Valve-Intake
35	691270	1	Spring-Valve (Intake)
36	691270	1	Spring-Valve (Exhaust)
40	692194	1	Retainer-Valve
45	690548	1	Tappet-Valve
741	790345	1	Gear-Timing
868	697338	1	Seal-Valve





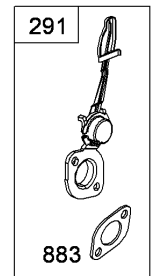
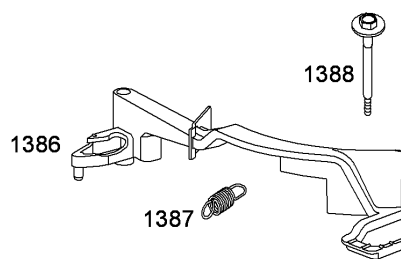
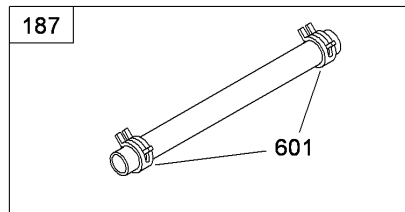
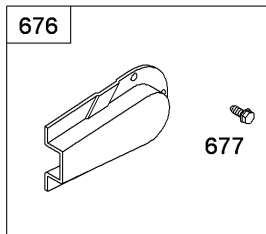
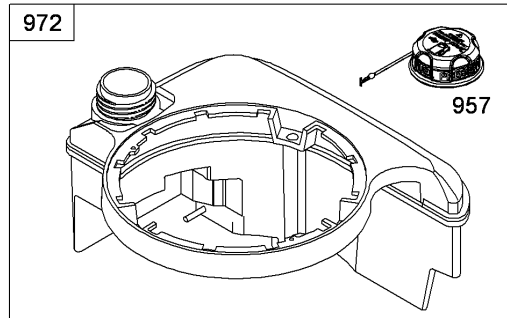
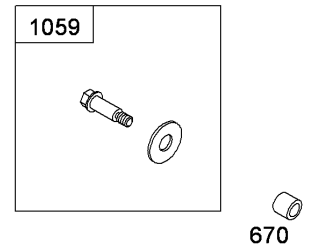
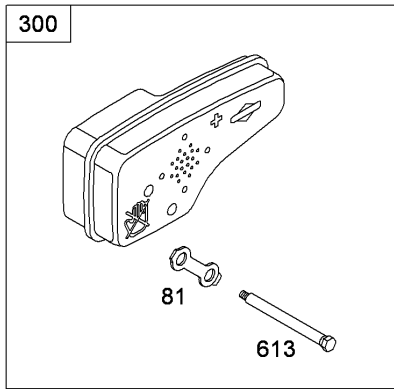
Assemblies include all parts shown in frames

## Air Cleaner Assembly Briggs and Stratton 126T02-0216-B1

Ref	Part No.	Qty.	Description
④ 163	272653s	1	Gasket-Cleaner, Air
⑤ ⑥			
④ 425	690670	1	Screw (Air Cleaner Cover)
④ 443	692523	1	Screw (Air Cleaner Primer Base)
④ 445	491588s	1	Filter-Cartridge, Air Cleaner
④ 529	691923	1	Grommet
④ 966	792040	1	Base-Primer, Air Cleaner
④ 968	692298	1	Cover-Cleaner, Air
④ 976	694395	1	Primer-Carburetor

--	--	--	--





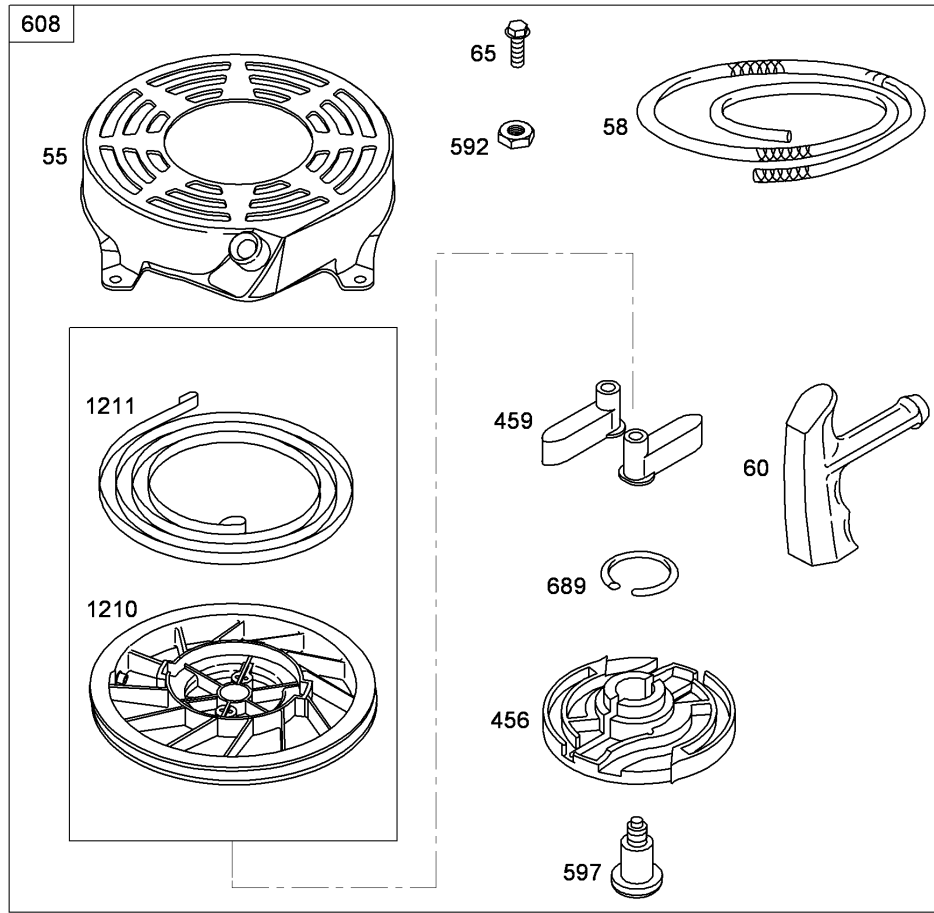
Assemblies include all parts shown in frames

## Muffler and Fuel Tank Assembly Briggs and Stratton 126T02-0216-B1

Ref	Part No.	Qty.	Description
81	691740	1	Lock-Screw, Muffler
187	791766	1	Line-Fuel (Cut To Required Length)
190	690940	1	Screw (Fuel Tank)
291	790830	1	Thermostat
300	692038	1	Muffler
601	791850	1	Clamp-Hose
613	691340	1	Screw (Muffler)
670	692294	1	Spacer-Tank, Fuel
676	493871	1	Deflector-Muffler
677	690661	1	Screw (Muffler Deflector)
883	691881	1	Gasket-Exhaust
957	699985	1	Cap-Tank, Fuel
972	699374	1	Tank-Fuel
1059	692311	1	Screw And Washer Kit
1386	790848	1	Vane-Air
1387	790849	1	Spring-Vane, Air
1388	790850	1	Screw (Air Vane)

--	--	--	--





Assemblies include all parts shown in frames

## Starter Assembly Briggs and Stratton 126T02-0216-B1

Ref	Part No.	Qty.	Description
● 55	691421	1	Housing-Starter, Rewind
● 58	697316	1	Rope-Starter (Cut To Required Length)
● 60	281434s	1	Grip-Rope, Starter
● 65	690837	1	Screw (Rewind Starter)
● 456	692299	1	Plate-Friction, Pawl
● 459	281505s	1	Ratchet-Pawl
● 592	690800	1	Nut (Rewind Starter)
● 597	691696	1	Screw (Pawl Friction Plate)
● 608	497680	1	Starter-Rewind
● 689	691855	1	Spring-Friction
● 1210	498144	1	Pulley And Spring ASM (Pulley)
● 1211	498144	1	Pulley And Spring ASM (Spring)

--	--	--	--





# Attachments and Accessories

## For 20332C - 22in Recycler Lawn Mower

Product Name	Model/Part
Traction Assist Handle Kit .....	108-8120
Loose Parts Kit .....	117-4133
Replacement Bag .....	59310
Replacement Bag Kit .....	59312
22 Inch Blade Kit .....	59534

# NOTES

# NOTES

# NOTES

