



22in Recycler[®] Lawn Mower

Model No. 20334 - 290000001 and up.

Parts Catalog

Ordering Replacement Parts

To order replacement parts, please supply the part number, the quantity, and the description of each part desired.

Understanding Reference Numbers

Each Identified part in an illustration has a reference number. The reference number for a part also appears in the parts list, along with other information about the part.

This catalog uses two special reference number formats, one to indicate parts in a service assembly and another to indicate the quantity of a given part in an illustration.

Service Assembly Reference Numbers

Parts in service assemblies have reference numbers in the form a:b. The a represents the reference number of the entire service assembly and the b represents a sequential number unique to each part within the service assembly.

For example, a wheel assembly might be identified by reference number 6, the tire by 6:1, the valve by 6:2, and the wheel by 6:3. When you order the assembly identified by reference number 6, you receive all parts identified by reference numbers 6:1, 6:2, and 6:3. However, you may also order any part individually. Reference numbers of this type appear in illustrations and in part lists.

Reference Numbers Indicating Quantity

In an illustration, if a reference number indicates more than one part, the reference number has the form nX y. The n represents the quantity of the part, the X is the multiplication symbol, and the y represents the reference number.

For example, in an illustration, the reference number 2X 37 means that two of the parts identified by reference number 37 are indicated.

Contents

Description	Page	Description	Page
Deck, Side Chute and Rear Door Assembly	3	Air Cleaner Assembly Briggs and Stratton 126T05-0933-B1	14
Front Axle Assembly	4	Governor Assembly Briggs and Stratton 126T05-0933-B1	15
Rear Axle and Transmission Assembly	5	Muffler and Fuel Tank Assembly Briggs and Stratton 126T05-0933-B1	16
Engine Assembly	6	Blower Housing Assembly Briggs and Stratton 126T05-0933-B1	17
Handle Assembly	7	Starter Assembly Briggs and Stratton 126T05- 0933-B1	18
Electric Start Assembly	8	Electric Starter Assembly Briggs and Stratton 126T05-0933-B1	19
Rear Bag Assembly	9	Engine Gasket Set Briggs and Stratton 126T05-0933-B1	20
Cylinder Assembly Briggs and Stratton 126T05-0933-B1	10	Carburetor Overhaul Kit Briggs and Stratton 126T05-0933-B1	21
Crankshaft Assembly Briggs and Stratton 126T05-0933-B1	11	Attachments and Accessories List	22
Crankcase Assembly Briggs and Stratton 126T05-0933-B1	12		
Carburetor Assembly Briggs and Stratton 126T05-0933-B1	13		

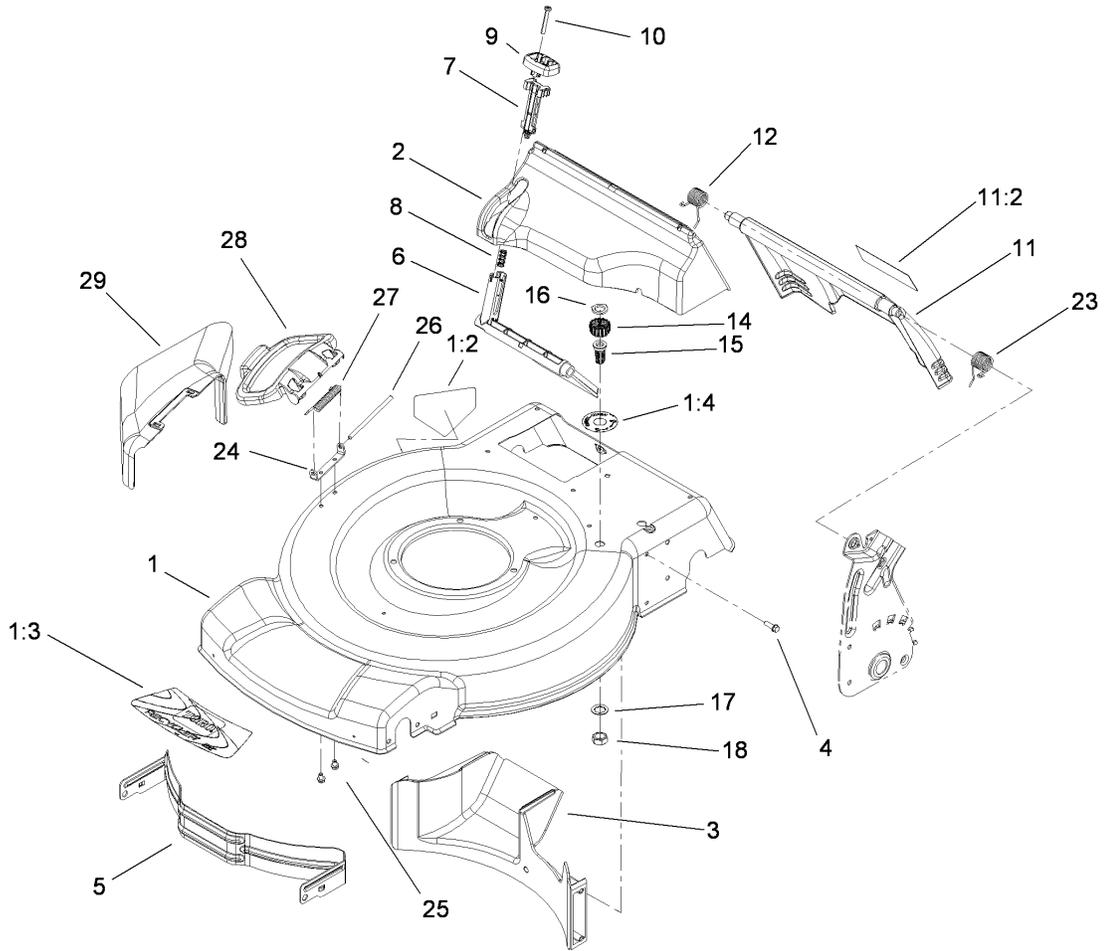
Part Description Abbreviations

Part descriptions in this catalog may include the following abbreviations.

AR. as required	HYD. hydraulic
ASM. assembly	LH. left hand
BBC. blade brake clutch	NI. nylon insert
CARR. carriage	NPTF. national pipe thread fine
DEG. degrees	PFH. phillips flat head
EXT. external	PPH. phillips pan head
FH. flat head	PPHTF. phillips pan head thread forming
GA. gauge	PRH. phillips round head
HD. heavy-duty	PTH. phillips truss head
HF. hex flange	PTO. power-take-off
HH. hex head	RH. right hand
HHF. hex head flange	ROPS. roll-over protection system
HHFTF. hex head flange thread forming	SFH. slotted fillister head
HJ. hex jam	SHH. slotted hex head
HLH. hex lag head	SHWH. slotted hex washer head
HOC. height-of-cut	SPH. slotted pan head
HSBH. hex socket button head	SQH. square head
HSFH. hex socket flat head	SRH. slotted round head
HSH. hex socket head	STD. standard
HWH. hex washer head	TAP. self tapping
HWHTF. hex washer head thread forming	TTH. torx truss head

Footnotes

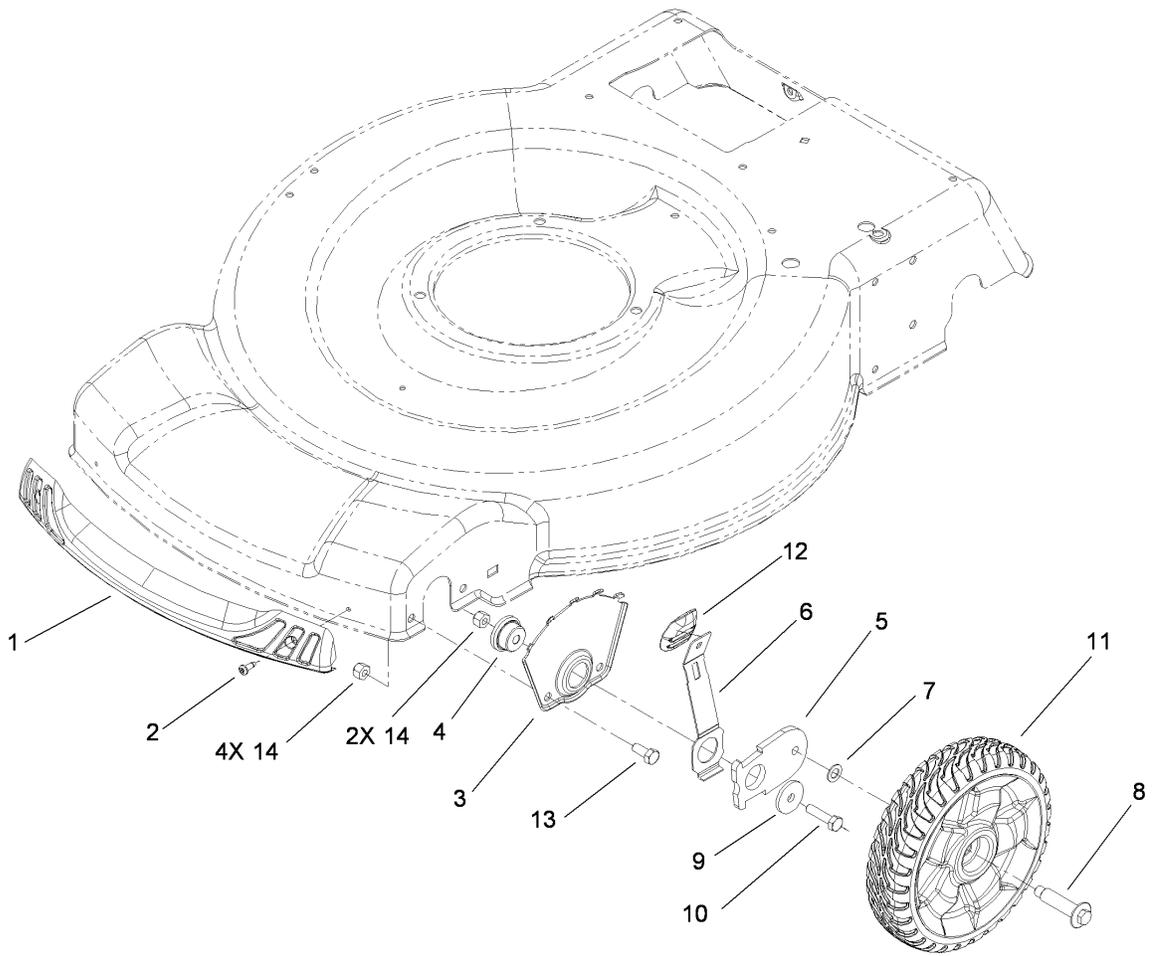
- | | |
|---------------------------------------------------|------------------------------------------------------|
| ❶ Not illustrated | ❷ Not serviced separately |
| ❸ Obtain from your local Briggs & Stratton dealer | ❹ Included in Carburetor Overhaul Kit (Ref. No. 121) |
| ❺ Included in Engine Gasket Set (Ref. No. 358) | ❻ Included in Carburetor Gasket Set (Ref. No. 977) |



Deck, Side Chute and Rear Door Assembly

Ref	Part No.	Qty.	Description
1	117-1084	1	Housing ASM
1:2	94-8072	1	Decal-Danger
1:3	115-4676	1	Decal-Recycler
1:4	112-8867	1	Decal
2	114-7957	1	Chute-Recycle
3	114-7961	1	Baffle-Rear
4	46-8091	9	Screw-HWH
5	114-7963-01	1	Baffle-Front
6	114-7960	1	Deflector-Recycle
7	114-7959	1	Latch-Recycle
8	117-1031	1	Spring-Compression
9	114-7958	1	Knob-Recycle
10	32104-120	2	Screw-PPH
11	114-7992	1	Rear Door ASM
11:2	114-7982	1	Decal-Warning
12	114-7924	1	Spring-Torsion
14	112-6401	1	Coupling-Hose, Washout Port
15	112-6400	1	Port-Washout
16	112-6438	1	Washer-Seal, Washout Port
17	3254-5	1	Washer-Tooth
18	3218-6	1	Nut-Jam
23	115-2859	1	Spring-Torsion
24	112-6416	1	Bracket-Cover
25	99-8445	2	Screw-HWH

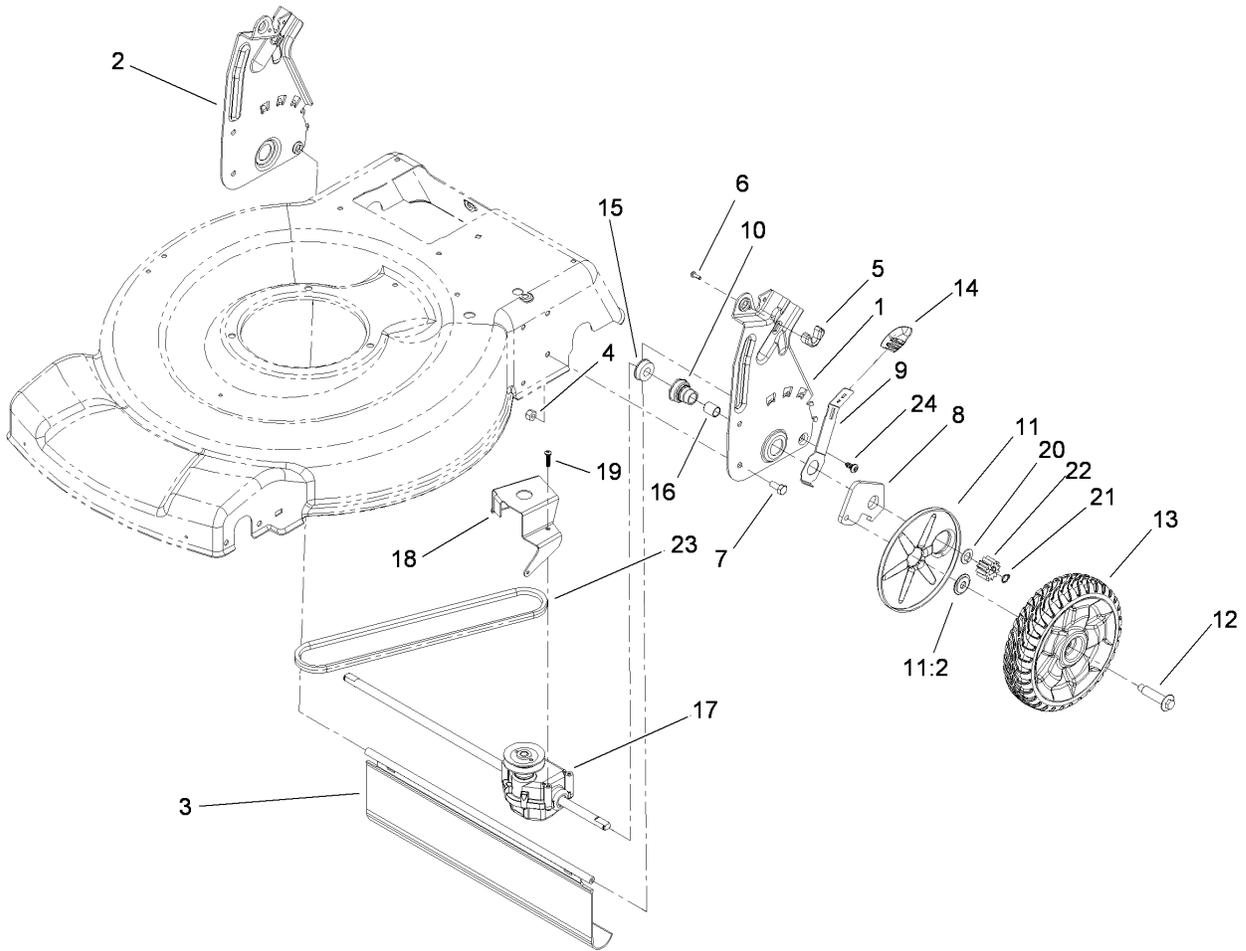
Ref	Part No.	Qty.	Description
26	99-5291	1	Rod-Cover
27	99-5293	1	Spring-Torsion
28	115-8449	1	Deflector-Side
29	115-8447	1	Chute-Discharge, Side



Front Axle Assembly

Ref	Part No.	Qty.	Description
1	114-7987	1	Bumper
2	105-6849	2	Screw-Thread Forming
3	115-1956-03	2	Plate-HOC, Front
4	105-1818	2	Bushing-Mount, HOC
5	105-1807	2	Arm-Pivot, Front
6	105-1809	2	Arm-Spring
7	40-1940	2	Washer
8	614650	2	Bolt-Shoulder
9	105-3048	2	Washer-Flat
10	322-6	2	Screw-HH
11	115-2894	2	8In Wheel ASM
12	105-3042	2	Knob-Lever, HOC
13	322-3	4	Screw-HH
14	3296-29	6	Nut-Lock, NI

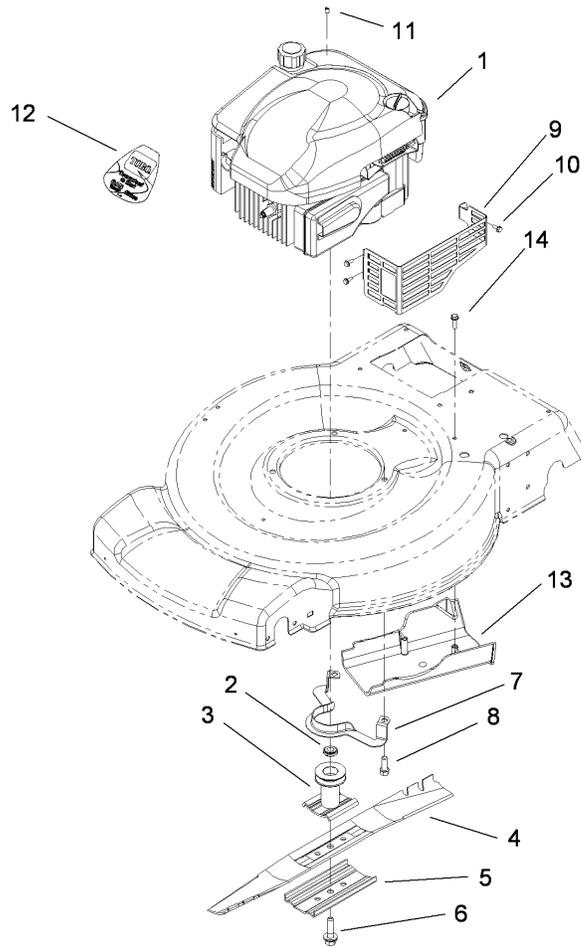
--	--	--	--



Rear Axle and Transmission Assembly

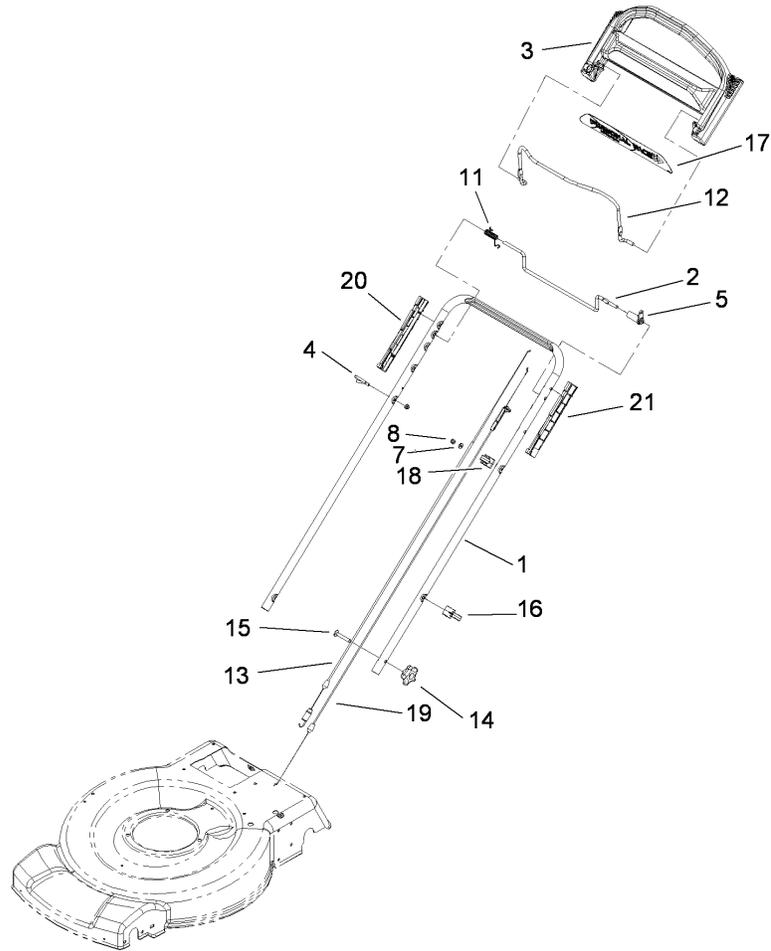
Ref	Part No.	Qty.	Description
1	114-7955-03	1	Plate-LH, Rear HOC
2	114-7956-03	1	Plate-RH, Rear HOC
3	115-2893	1	Shield-Trailing
4	3296-29	4	Nut-Lock, NI
5	115-8406	2	Anchor-Bag (Rwd)
6	105-9437	2	Screw-PPH
7	322-3	4	Screw-HH
8	108-9781	2	Arm-Pivot, Rear
9	108-9780	2	Arm-Spring
10	108-9779	2	Retainer-Bushing, HOC
11	110-1792	2	Wheel Cover ASM
11:1		1	Cover-Wheel
11:2	614426	1	Washer-Stepped
12	614650	2	Bolt-Shoulder
13	115-4695	2	Wheel Gear ASM
14	105-3042	2	Knob-Lever, HOC
15	104-8699	2	Bearing-Ball
16	108-9782	2	Bushing-Sleeve
17	115-4652	1	Transmission (4.5/1)
18	114-7977-03	1	Bracket-Transmission
19	108-7476	3	Screw-Plastite
20	110-7191	2	Washer-Thrust
21	32151-61	2	Ring-Retaining
22	115-4668	2	Gear-Pinion, 12T

Ref	Part No.	Qty.	Description
23	115-4669	1	V-Belt
24	117-1092	2	Screw-PPH



Engine Assembly

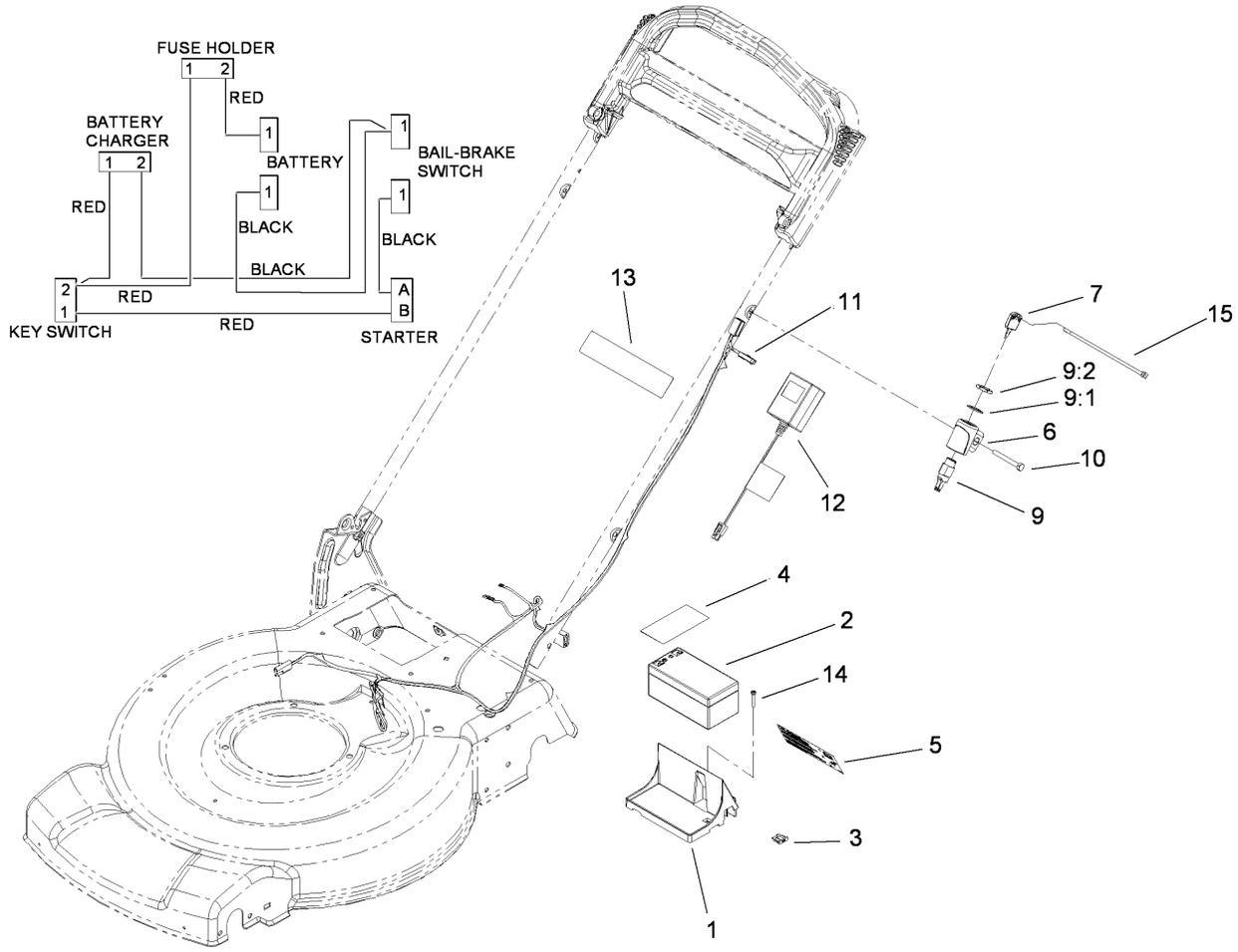
Ref	Part No.	Qty.	Description				
② ③ 1		1	Engine-Briggs, 126T05-0933-B1				
2	106-3999	1	Spacer-Driver				
3	106-3987	1	Blade Driver ASM				
4	108-9764-03	1	Blade-22 Inch				
5	108-3766-03	1	Support-Blade				
6	105-8579	1	Bolt-Blade				
7	105-3030-03	1	Guide-Belt				
8	95-1726	3	Screw-Taptite				
9	104-7577-03	1	Shield-Muffler				
10	32144-1	3	Screw-Taptite				
11	2210-316	1	Stop-Rope				
12	117-1017	1	Decal				
13	114-7937	1	Cover-Belt				
14	46-8091	2	Screw-HWH				



Handle Assembly

Ref	Part No.	Qty.	Description
1	114-0333-05	1	Handle
2	99-1588	1	Bar-Control, Traction
3	104-8678	1	Handle-Control
4	86-9671	1	Guide-Rope
5	99-1589	1	Lever-Traction
7	3256-1	1	Washer-Flat
8	3296-73	2	Nut-Lock, NI
11	104-8690	1	Spring-Torsion
12	104-8679-03	1	Bail-Brake
13	115-8435	1	Cable-Traction
14	108-8162	2	Knob-Locking
15	3230-6	2	Screw-CARR
16	106-6805	1	Guide-Cable
17	117-1019	1	Decal
18	99-5239	1	Anchor-Cable
19	115-8437	1	Cable-Brake
20	105-6841	1	Guide-RH
21	105-6842	1	Guide-LH

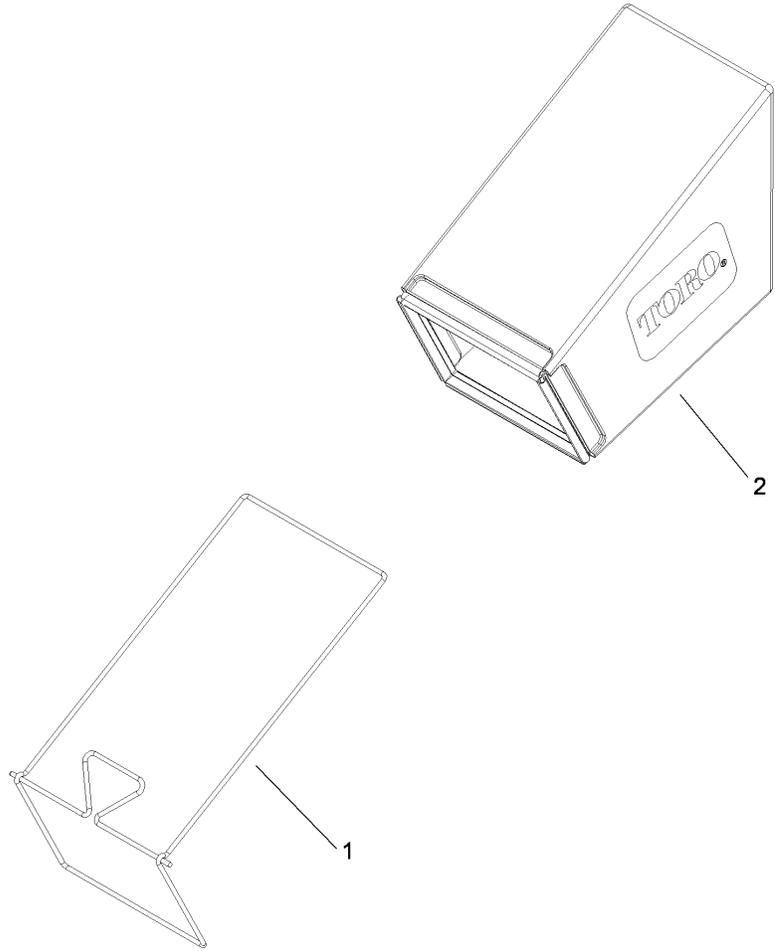
--	--	--	--



Electric Start Assembly

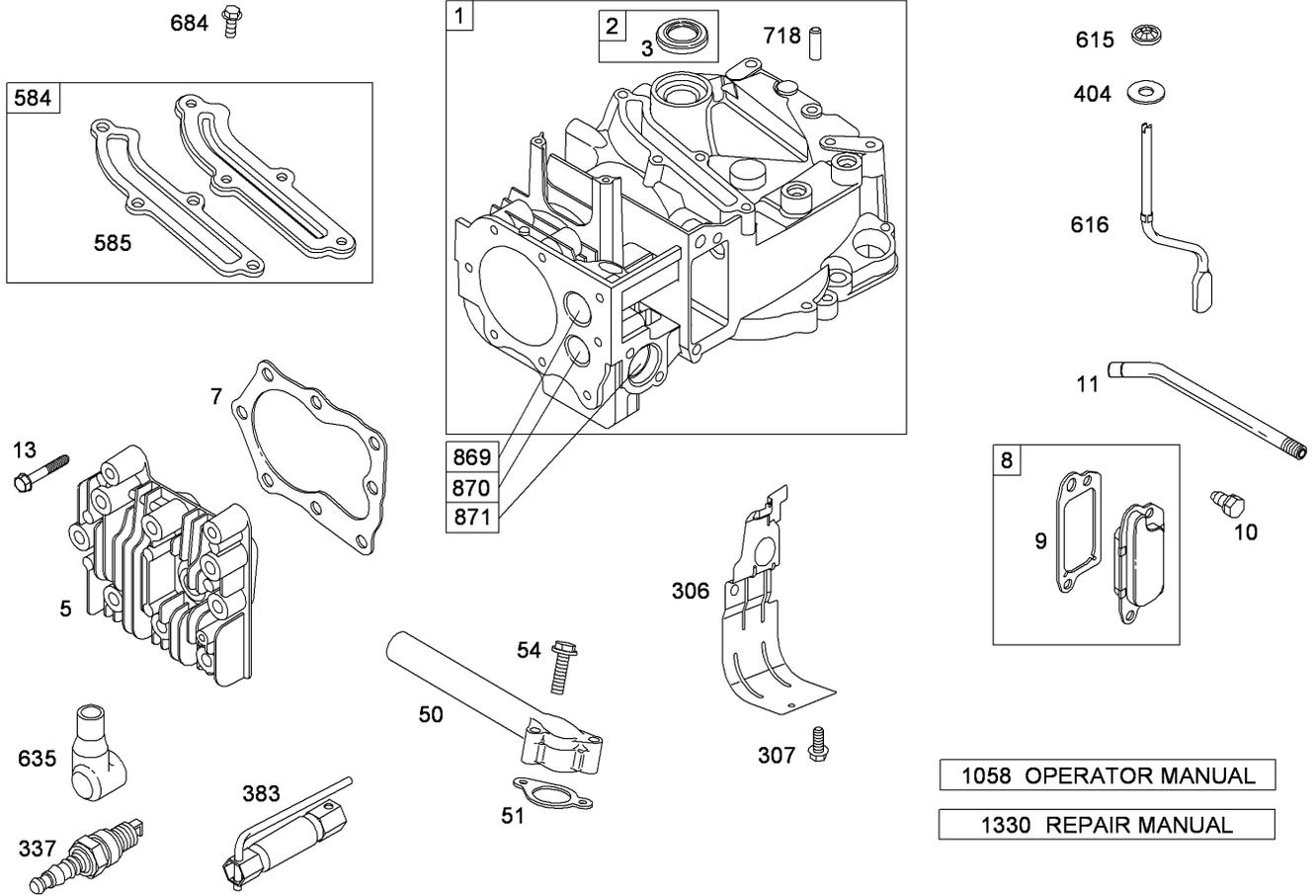
Ref	Part No.	Qty.	Description
1	114-7936	1	Tray-Battery
2	106-8397	1	Battery-12 Volt
3	99-6124	2	Fuse-40 Amp
4	112-8763	1	Decal-Terminal, Battery
5	117-1054	1	Decal
6	108-9760	1	Mount-Switch
7	700918	1	Key
9	46-5780	1	Switch-Starter
9:1	3254-5	1	Washer-Tooth
9:2	218-461	1	Nut-HH
10	321-50	1	Screw-HH
11	115-4675	1	Harness-Wire
12	104-7401	1	Charger-12 Volt
13	104-7953	1	Decal-Harness
14	32144-97	1	Screw-PPH, Plastite
15	614249	1	Strap-Tie

--	--	--	--



Rear Bag Assembly

Ref	Part No.	Qty.	Description
1	114-2679-03	1	Bag Frame ASM
2	115-4673	1	Grass Bag ASM

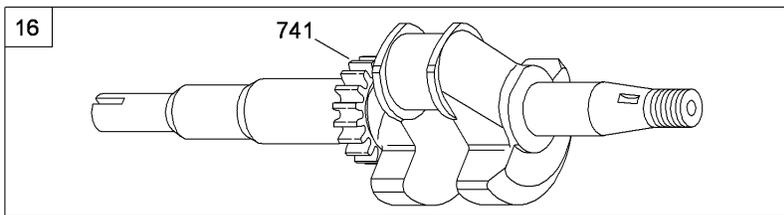
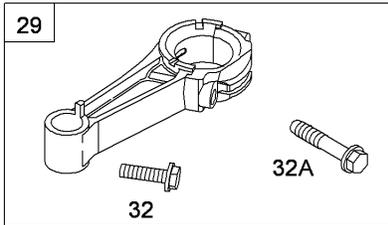
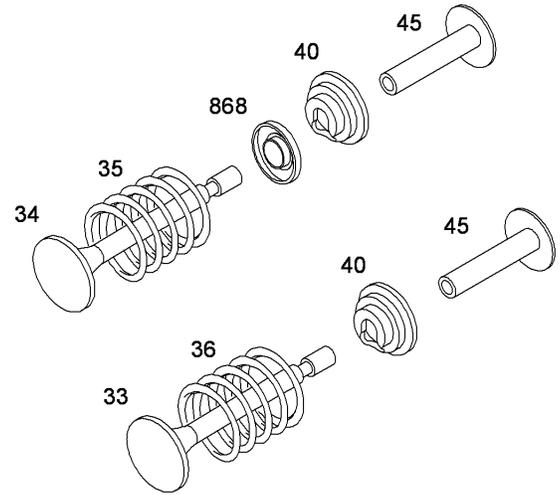
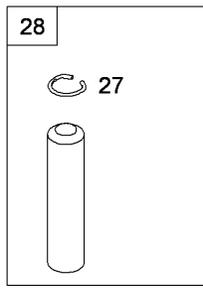
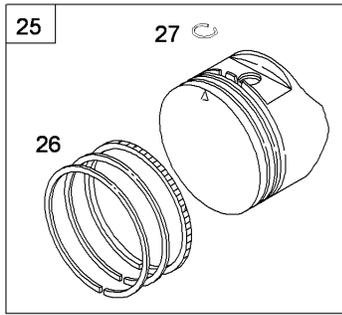


Assemblies include all parts shown in frames

Cylinder Assembly Briggs and Stratton 126T05-0933-B1

Ref	Part No.	Qty.	Description
1	697322	1	Cylinder ASM
2	399269	1	Bushing And Seal Kit
3	299819s	1	Seal-Oil (Magneto Side)
5	691160	1	Head-Cylinder
7	692249	1	Gasket-Head, Cylinder
8	695250	1	Breather ASM
9	696125	1	Gasket-Breather
10	691125	1	Screw (Breather ASM)
11	691781	1	Tube-Breather
13	690912	1	Screw (Cylinder Head)
50	794305	1	Manifold-Intake
51	794306	1	Gasket-Intake
54	691650	1	Screw (Intake Manifold)
306	790836	1	Shield-Cylinder
307	690345	1	Screw (Cylinder Shield)
337	802592s	1	Plug-Spark
383	89838s	1	Wrench-Spark Plug
404	690272	1	Washer (Governor Crank)
584	697734	1	Cover-Passage, Breather
585	691879	1	Gasket-Passage, Breather
615	690340	1	Retainer-Shaft, Governor
616	698801	1	Crank-Governor
635	66538s	1	Boot-Spark Plug
684	690345	1	Screw (Breather Passage Cover)

Ref	Part No.	Qty.	Description
718	690959	1	Pin-Locating
869	691155	1	Seat-Valve (Intake)
870	690380	1	Seat-Valve (Exhaust)
871	262001	1	Bushing-Guide (Exhaust)
871	63709	1	Bushing-Guide (Intake)
1058	277039TRI	1	Operator Manual
1330	270962	1	Repair Manual

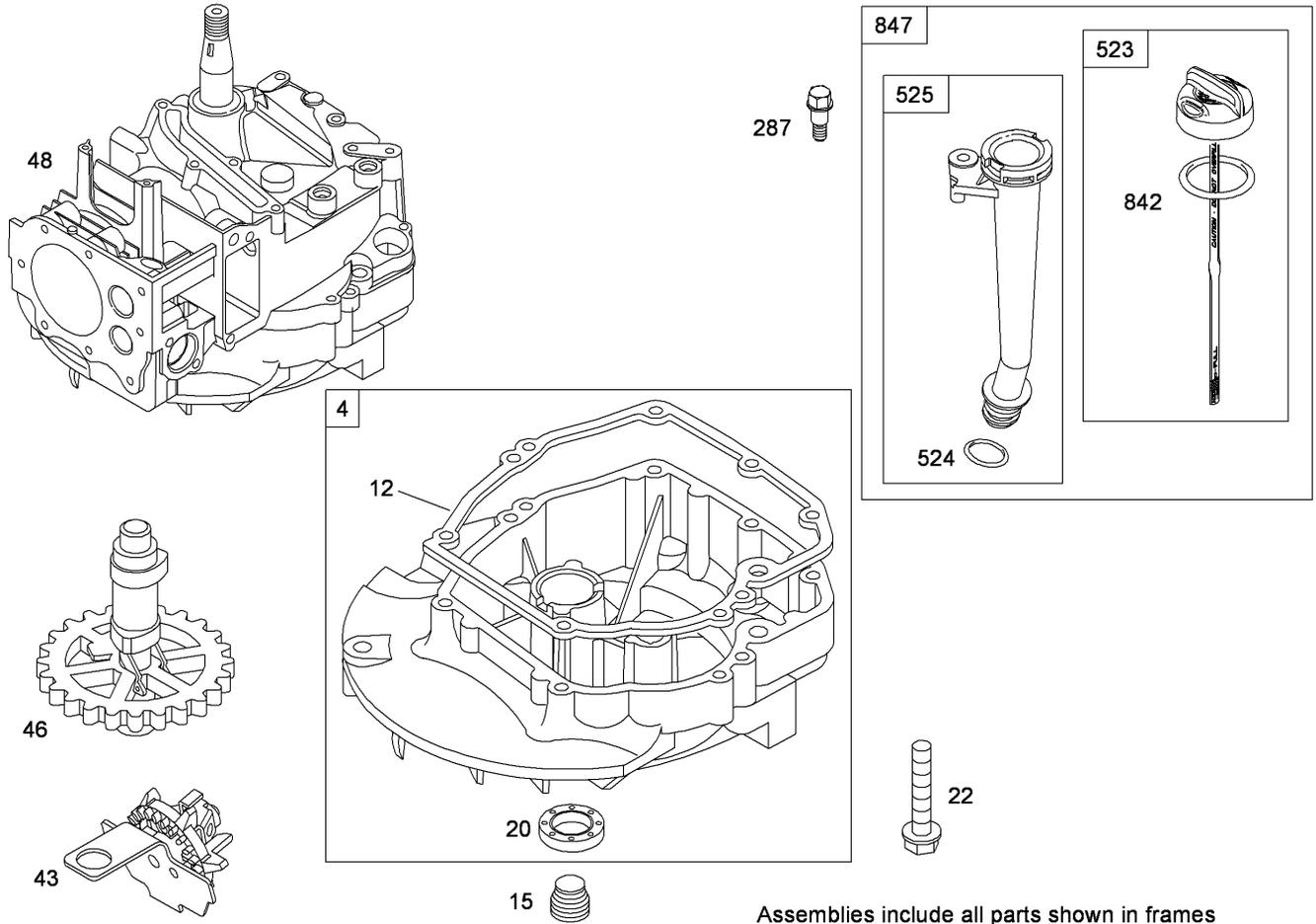


Assemblies include all parts shown in frames

Crankshaft Assembly Briggs and Stratton 126T05-0933-B1

Ref	Part No.	Qty.	Description
16	696009	1	Crankshaft
24	222698s	1	Key-Flywheel
25	791097	1	Piston ASM (STD)
25	791326	1	Piston ASM (.020 O S)
26	791098	1	Ring Set (STD)
26	791324	1	Ring Set (.020 O S)
27	691866	1	Lock-Pin, Piston
28	499423	1	Pin-Piston (STD)
29	499424	1	Rod-Connecting (STD)
32	691664	1	Screw (Connecting Rod)
32A	695759	1	Screw (Connecting Rod)
33	262651s	1	Valve-Exhaust
34	262652s	1	Valve-Intake
35	691270	1	Spring-Valve (Intake)
36	691270	1	Spring-Valve (Exhaust)
40	692194	1	Retainer-Valve
45	690548	1	Tappet-Valve
741	790345	1	Gear-Timing
868	697338	1	Seal-Valve

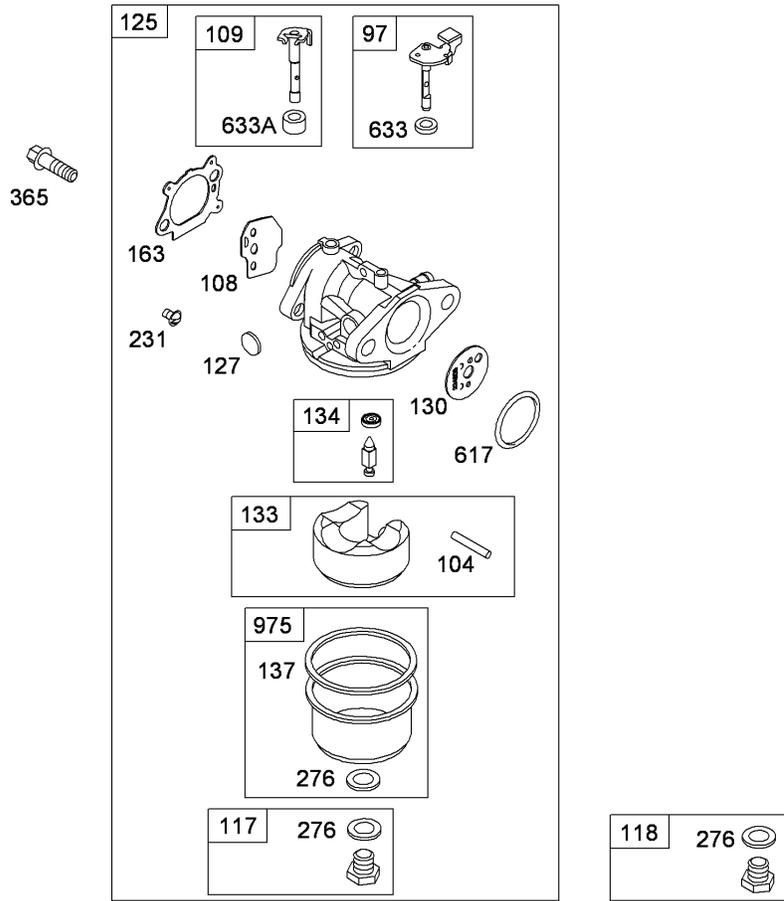
--	--	--	--



Crankcase Assembly Briggs and Stratton 126T05-0933-B1

Ref	Part No.	Qty.	Description
④	493279	1	Sump-Engine
④⑤12	692232	1	Gasket-Crankcase (.015 STD)
④15	691680	1	Plug-Drain, Oil
④⑤20	399781s	1	Seal-Oil (PTO Side)
④22	691092	1	Screw (Engine Sump)
④43	691997	1	Slinger-Oil, Governor
④46	691449	1	Camshaft
④48	792742	1	Block-Short
④287	690940	1	Screw (Dipstick Tube)
④523	499621	1	Dipstick
④⑤524	692296	1	Seal-O Ring (Dipstick Tube)
④525	495265	1	Tube-Dipstick
④⑤842	691031	1	Seal-O Ring (Dipstick Tube)
④847	692047	1	Dipstick Tube ASM

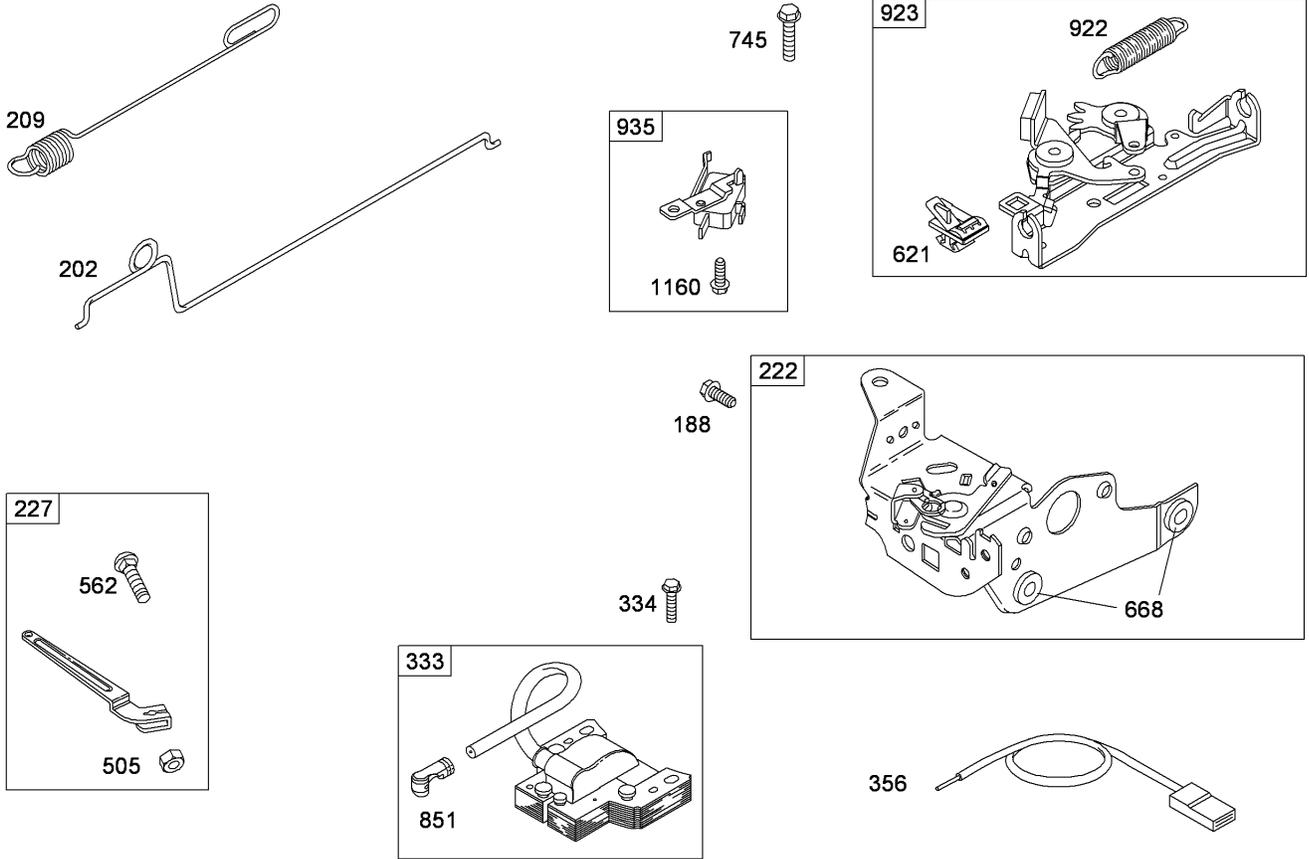
--	--	--	--



Assemblies include all parts shown in frames

Carburetor Assembly Briggs and Stratton 126T05-0933-B1

Ref	Part No.	Qty.	Description
③ 97	696565	1	Shaft-Throttle
③ ④ 104	691242	1	Pin-Hinge, Float
③ 108	790844	1	Valve-Choke
③ 109	790843	1	Shaft-Choke
③ 117	691428	1	Jet-Main (Standard)
③ 118	498977	1	Jet-Main (High Altitude)
③ 125	794304	1	Carburetor
③ ④ 127	694468	1	Plug-Welch
③ 130	696564	1	Valve-Throttle
③ 133	398187	1	Float-Carburetor
③ ④ 134	398188	1	Needle And Seat Kit
③ ④ 137	693981	1	Gasket-Bowl, Float
⑤			
③ ④ 163	272653s	1	Gasket-Cleaner, Air
⑤ ⑥			
③ 231	691636	1	Screw (Choke Valve)
③ ④ 276	271716	1	Washer-Sealing
⑤			
③ 365	692524	1	Screw (Carburetor)
③ ④ 617	270344s	1	Seal-O Ring (Intake Manifold)
⑤			
③ ④ 633	691321	1	Seal-Shaft, Choke Throttle
⑤			
③ ④ 633A	693867	1	Seal-Shaft, Choke Throttle
⑤			
③ 975	493640	1	Bowl-Float

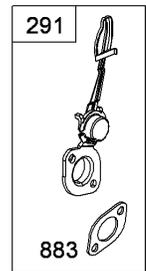
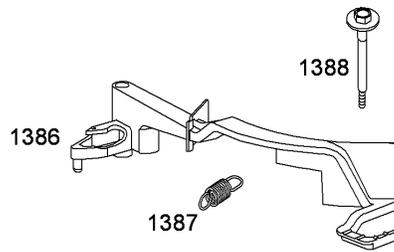
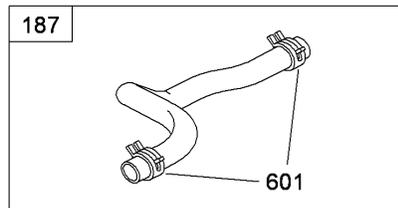
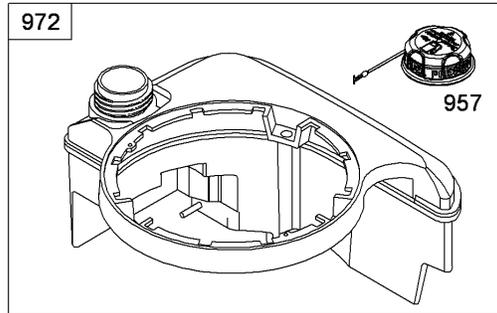
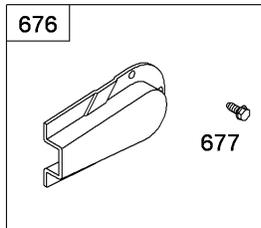
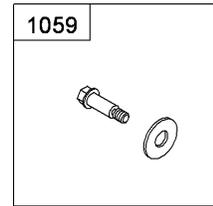
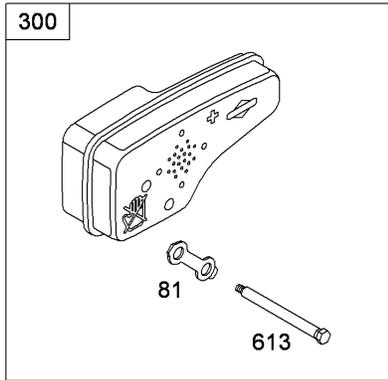


Assemblies include all parts shown in frames

Governor Assembly Briggs and Stratton 126T05-0933-B1

Ref	Part No.	Qty.	Description
188	693399	1	Screw (Control Bracket)
202	691829	1	Link-Governor, Mechanical
209	691292	1	Spring-Governor
222	793754	1	Bracket-Control
227	690783	1	Lever-Control, Governor
333	802574	1	Armature-Magneto
334	691061	1	Screw (Magneto Armature)
356	692390	1	Wire-Stop
505	691251	1	Nut (Governor Control Lever)
562	691119	1	Screw (Governor Control Lever)
621	692310	1	Switch-Stop
668	493823	1	Spacer
745	691648	1	Screw (Brake)
851	493880s	1	Terminal-Spark Plug
922	691831	1	Spring-Brake
923	691994	1	Brake ASM
935	499421	1	Switch-Interlock
1160	691627	1	Screw (Interlock Switch)

--	--	--	--

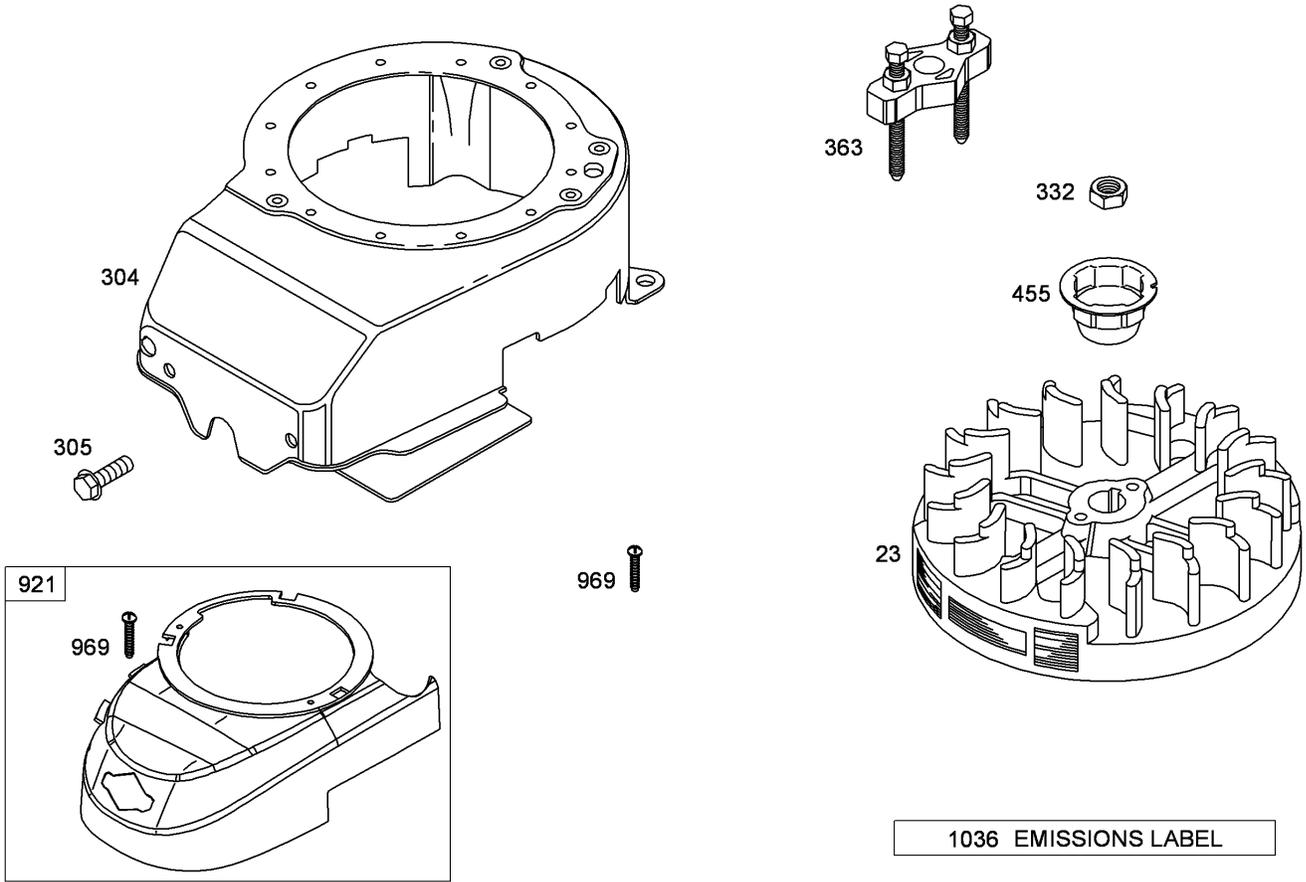


Assemblies include all parts shown in frames

Muffler and Fuel Tank Assembly Briggs and Stratton 126T05-0933-B1

Ref	Part No.	Qty.	Description
81	691740	1	Lock-Screw, Muffler
187	791873	1	Line-Fuel (Molded) (Cut To Required Length)
190	690940	1	Screw (Fuel Tank)
291	790830	1	Thermostat
300	692038	1	Muffler
601	791850	1	Clamp-Hose
613	691340	1	Screw (Muffler)
670	692294	1	Spacer-Tank, Fuel
676	493871	1	Deflector-Muffler
677	690661	1	Screw (Muffler Deflector)
883	691881	1	Gasket-Exhaust
957	699985	1	Cap-Tank, Fuel
972	699374	1	Tank-Fuel
1059	692311	1	Screw And Washer Kit
1386	790848	1	Vane-Air
1387	790849	1	Spring-Vane, Air
1388	790850	1	Screw (Air Vane)

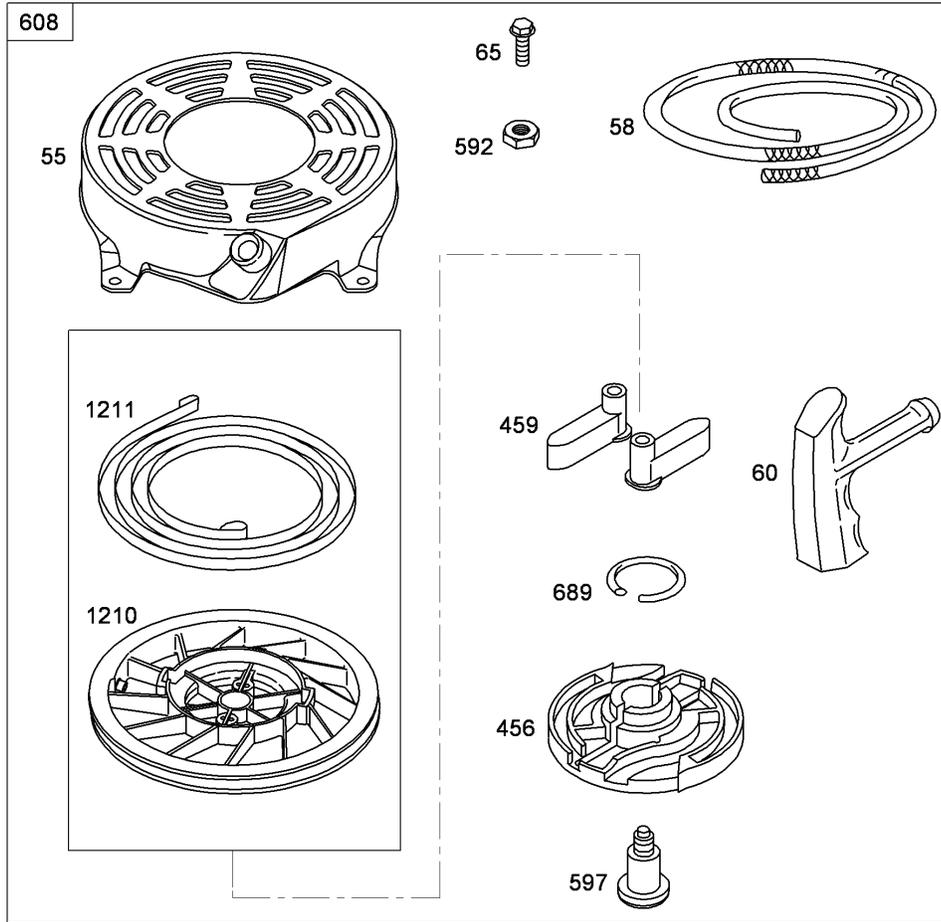
--	--	--	--



Assemblies include all parts shown in frames

Blower Housing Assembly Briggs and Stratton 126T05-0933-B1

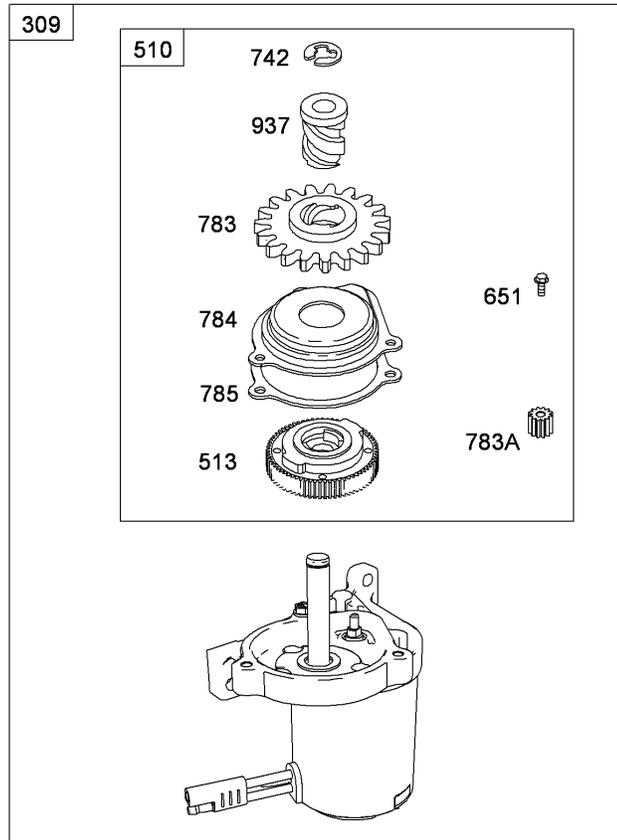
Ref	Part No.	Qty.	Description
23	691987	1	Flywheel
304	790983	1	Housing-Blower
305	691108	1	Screw (Blower Housing)
332	690662	1	Nut (Flywheel)
363	19069	1	Puller-Flywheel
455	791760	1	Cup-Flywheel
921	790036	1	Cover-Housing, Blower
969	691138	1	Screw (Blower Housing Cover)
1036		1	Label-Emissions



Starter Assembly Briggs and Stratton 126T05-0933-B1

Ref	Part No.	Qty.	Description
55	691421	1	Housing-Starter, Rewind
58	697316	1	Rope-Starter (Cut To Required Length)
60	281434s	1	Grip-Rope, Starter
65	690837	1	Screw (Rewind Starter)
456	692299	1	Plate-Friction, Pawl
459	281505s	1	Ratchet-Pawl
592	690800	1	Nut (Rewind Starter)
597	691696	1	Screw (Pawl Friction Plate)
608	497680	1	Starter-Rewind
689	691855	1	Spring-Friction
1210	498144	1	Pulley And Spring ASM (Pulley)
1211	498144	1	Pulley And Spring ASM (Spring)

--	--	--	--



Electric Starter Assembly Briggs and Stratton 126T05-0933-B1

Ref	Part No.	Qty.	Description				
309	795092	1	Motor-Starter				
510	795093	1	Drive-Starter				
513	692358	1	Clutch-Drive				
651	691660	1	Screw (Starter Gear Cover)				
697	691127	1	Screw (Drive Cap)				
742	93941	1	Retainer-E Ring				
783	691918	1	Gear-Pinion				
783A	691269	1	Gear-Pinion				
784	7950951	1	Cover-Gear, Starter				
785	692352	1	Gasket-Cover, Starter				
937	691325	1	Spline-Starter				

Attachments and Accessories

For 20334 - 22in Recycler Lawn Mower

Product Name	Model/Part
Traction Assist Handle Kit	108-8120
Loose Parts Kit	117-4134
Replacement Bag	59310
Replacement Bag Kit	59312
22 Inch Blade Kit	59534

NOTES

