



## Electric Hose Reel Kit Multi-Pro® 5600/5700 Turf Sprayer

Model No. 41569 - 280000301 and up.

### Parts Catalog

---

#### Ordering Replacement Parts

To order replacement parts, please supply the part number, the quantity, and the description of each part desired.

#### Understanding Reference Numbers

Each identified part in an illustration has a reference number. The reference number for a part also appears in the parts list, along with other information about the part.

This catalog uses two special reference number formats, one to indicate parts in a service assembly and another to indicate the quantity of a given part in an illustration.

#### Service Assembly Reference Numbers

Parts in service assemblies have reference numbers in the form a:b. The a represents the reference number of the entire service assembly and the b represents a sequential number unique to each part within the service assembly.

For example, a wheel assembly might be identified by reference number 6, the tire by 6:1, the valve by 6:2, and the wheel by 6:3. When you order the assembly identified by reference number 6, you receive all parts identified by reference numbers 6:1, 6:2, and 6:3. However, you may also order any part individually. Reference numbers of this type appear in illustrations and in part lists.

#### Reference Numbers Indicating Quantity

In an illustration, if a reference number indicates more than one part, the reference number has the form nX y. The n represents the quantity of the part, the X is the multiplication symbol, and the y represents the reference number.

For example, in an illustration, the reference number 2X 37 means that two of the parts identified by reference number 37 are indicated.

## Contents

<b>Description</b>	<b>Page</b>	<b>Description</b>	<b>Page</b>
Valve Box Assembly	..... 3	Hose Reel Assembly	..... 7
Hardi Ball Valve Assembly No. 106-1268	..... 5	Spray Gun Assembly No. 100-6733	..... 8
Rear Assembly	..... 6	Hose Reel Assembly No. 106-5083	..... 9
		Hose Reel Frame Assembly No. 104-8714	..... 10

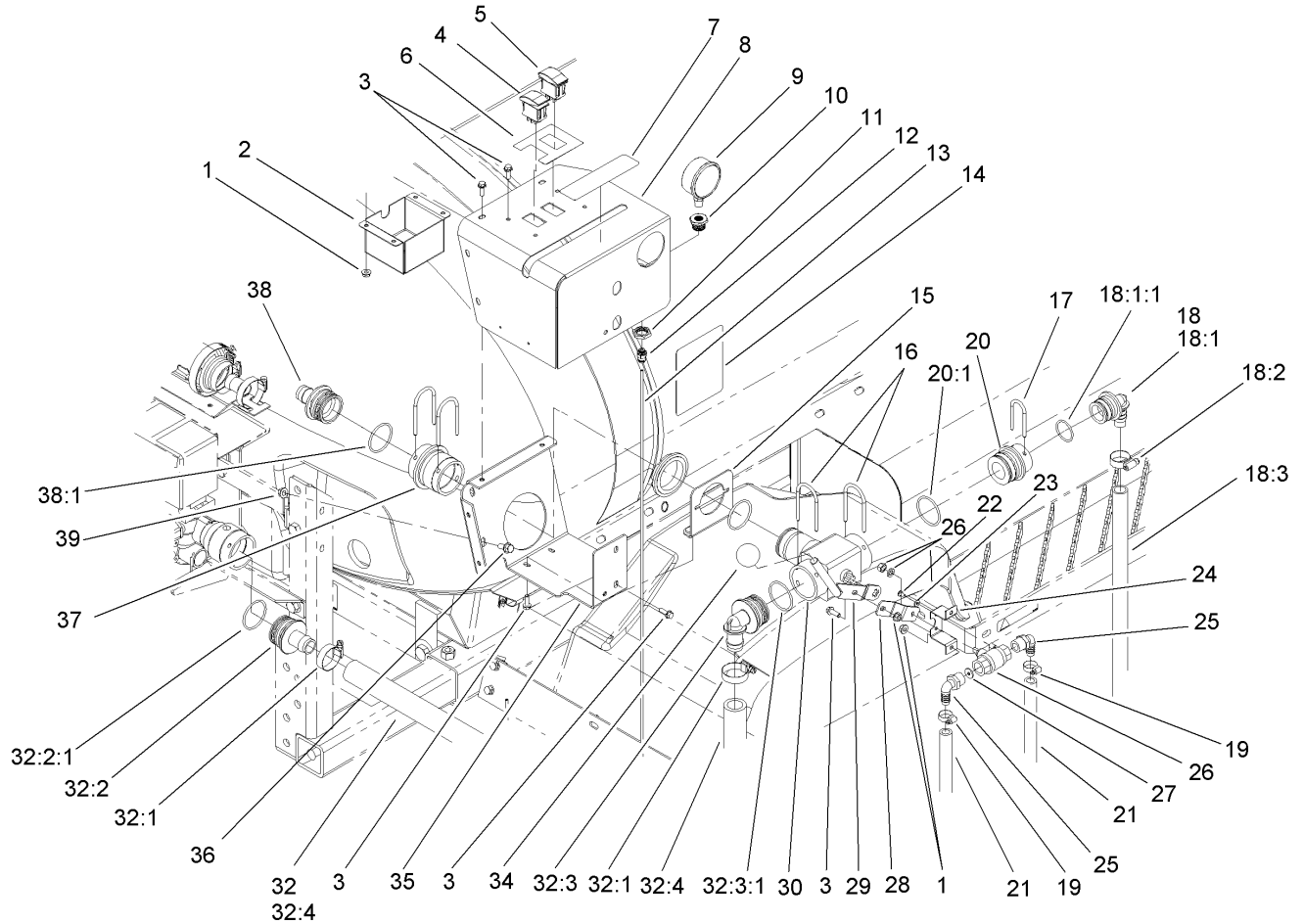
## Part Description Abbreviations

Part descriptions in this catalog may include the following abbreviations.

AR. .... as required	HYD. .... hydraulic
ASM. .... assembly	LH. .... left hand
BBC. .... blade brake clutch	NI. .... nylon insert
CARR. .... carriage	NPTF. .... national pipe thread fine
DEG. .... degrees	PFH. .... phillips flat head
EXT. .... external	PPH. .... phillips pan head
FH. .... flat head	PPHTF. .... phillips pan head thread forming
GA. .... gauge	PRH. .... phillips round head
HD. .... heavy-duty	PTH. .... phillips truss head
HF. .... hex flange	PTO. .... power-take-off
HH. .... hex head	RH. .... right hand
HHF. .... hex head flange	ROPS. .... roll-over protection system
HHFTF. .... hex head flange thread forming	SFH. .... slotted fillister head
HJ. .... hex jam	SHH. .... slotted hex head
HLH. .... hex lag head	SHWH. .... slotted hex washer head
HOC. .... height-of-cut	SPH. .... slotted pan head
HSBH. .... hex socket button head	SQH. .... square head
HSFH. .... hex socket flat head	SRH. .... slotted round head
HSH. .... hex socket head	STD. .... standard
HWH. .... hex washer head	TAP. .... self tapping
HWHTF. .... hex washer head thread forming	TTH. .... torx truss head

## Footnotes

- ❶ Not illustrated

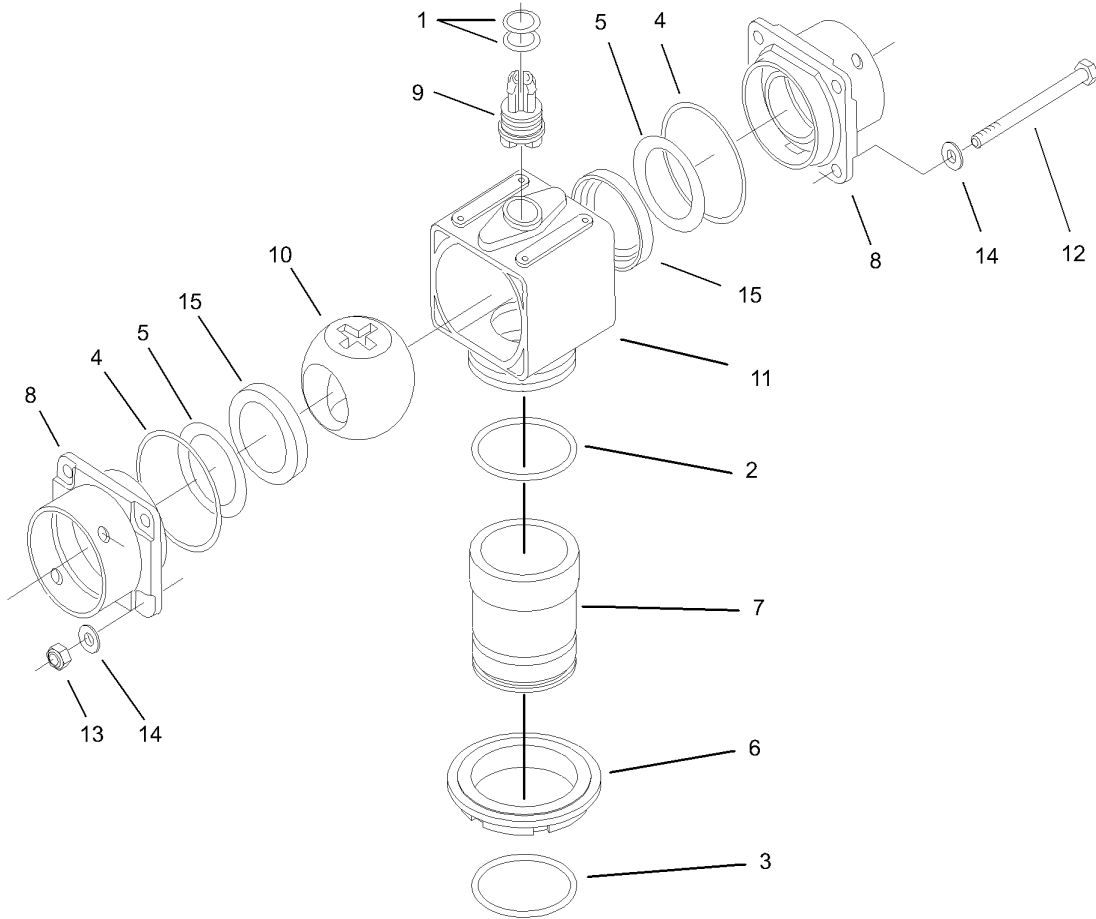


## Valve Box Assembly

Ref	Part No.	Qty.	Description
1	32128-33	7	Nut-HF
2	106-1322-03	1	Box-Switch
3	3234-4	14	Screw-HHF
4	100-8589	1	Switch-Rocker
5	100-1535	1	Switch
6	106-1278	1	Decal-Panel, Switch
7	106-1277	1	Decal-Control, Valve
8	106-1258-03	1	Cover Plate ASM
9	110-5080	1	Gauge-Pressure
10	100-8665	1	Reducer-Gauge, Pressure
11	100-8666	1	Nut-Reducer
12	100-8667	1	Coupler-Reducer
13	106-1312	1	Tube
14	107-8764	1	Decal
15	106-1294-03	1	Bracket-Valve
16	100-8635	4	Fork
17	100-6708	1	Fork
18	110-5063	1	Hose ASM
18:1	106-4940	1	Hosebarb-90 DEG
18:1:1	100-6712	1	O-Ring
18:2	2412-129	1	Clamp-Hose
18:3	110-5064	1	Hose
19	2412-36	2	Clamp-Hose
20	106-4938	1	Reducer ASM

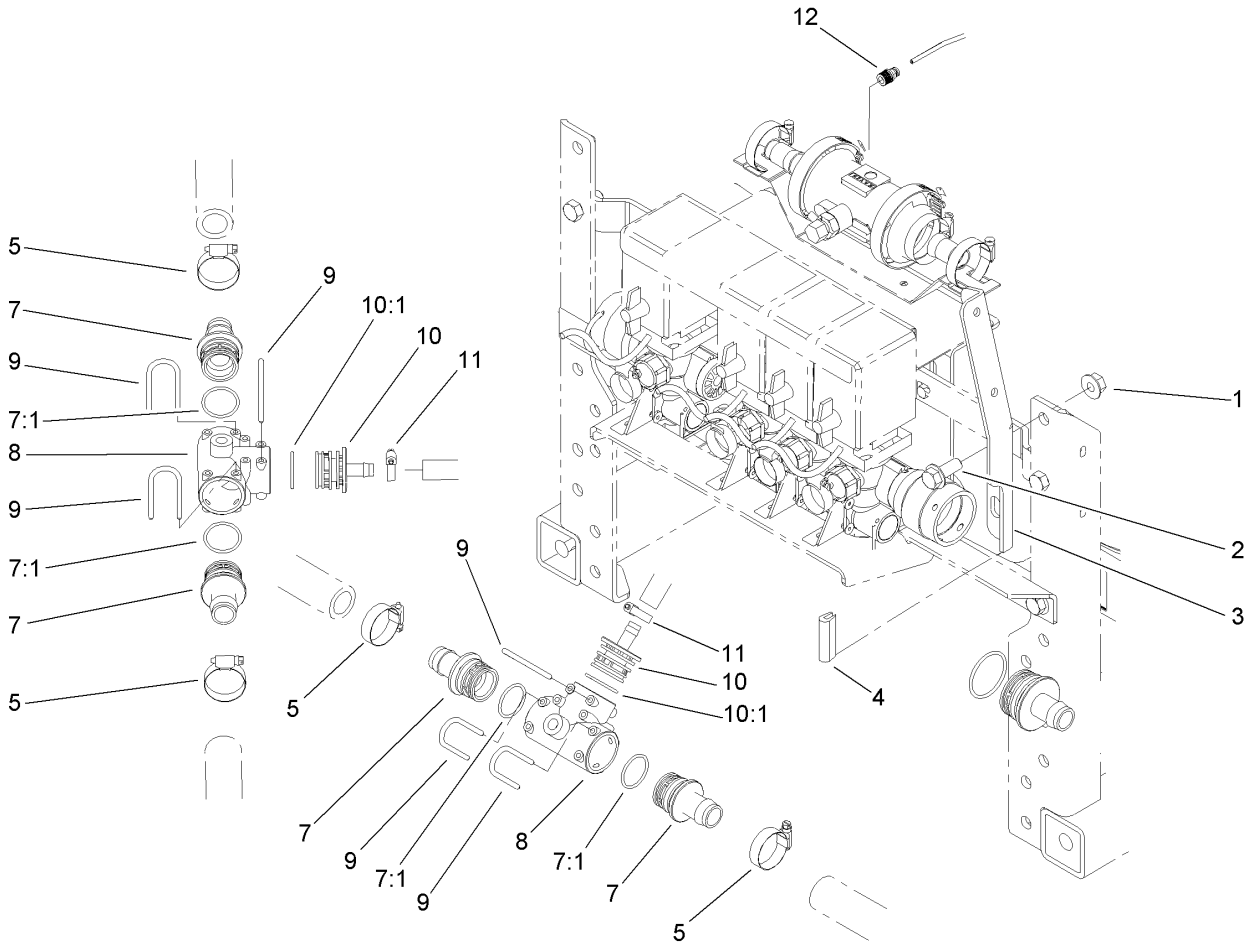
Ref	Part No.	Qty.	Description
20:1	100-8637	1	O-Ring
21	104-8859	2	Hose
22	3251-1	2	Screw-PPH
23	3256-21	2	Washer-Flat
24	106-1275-03	1	Bracket-Valve
25	42046	2	Elbow-90 DEG
26	106-1265	1	Valve-Ball, Precision
27	106-1293	1	Washer-Flat
28	106-1263-03	1	Plate-Lever, Valve
29	106-1262-03	1	Valve Lever ASM
30	106-1268	1	Valve-Ball
32	107-8781	1	Hose ASM
32:1	2412-3	2	Clamp-Hose
32:2	106-4932	1	Hosebarb-Straight
32:2:1	100-8637	1	O-Ring
32:3	106-4933	1	Hosebarb ASM
32:3:1	100-8637	1	O-Ring
32:4	107-8780	1	Hose
34	92-8564	1	Knob
35	106-1256-03	1	Plate-Mount, Valve
36	3234-5	2	Screw-HHF
37	100-7050	1	Bulkhead
38	106-4932	1	Hosebarb-Straight
38:1	100-8637	1	O-Ring





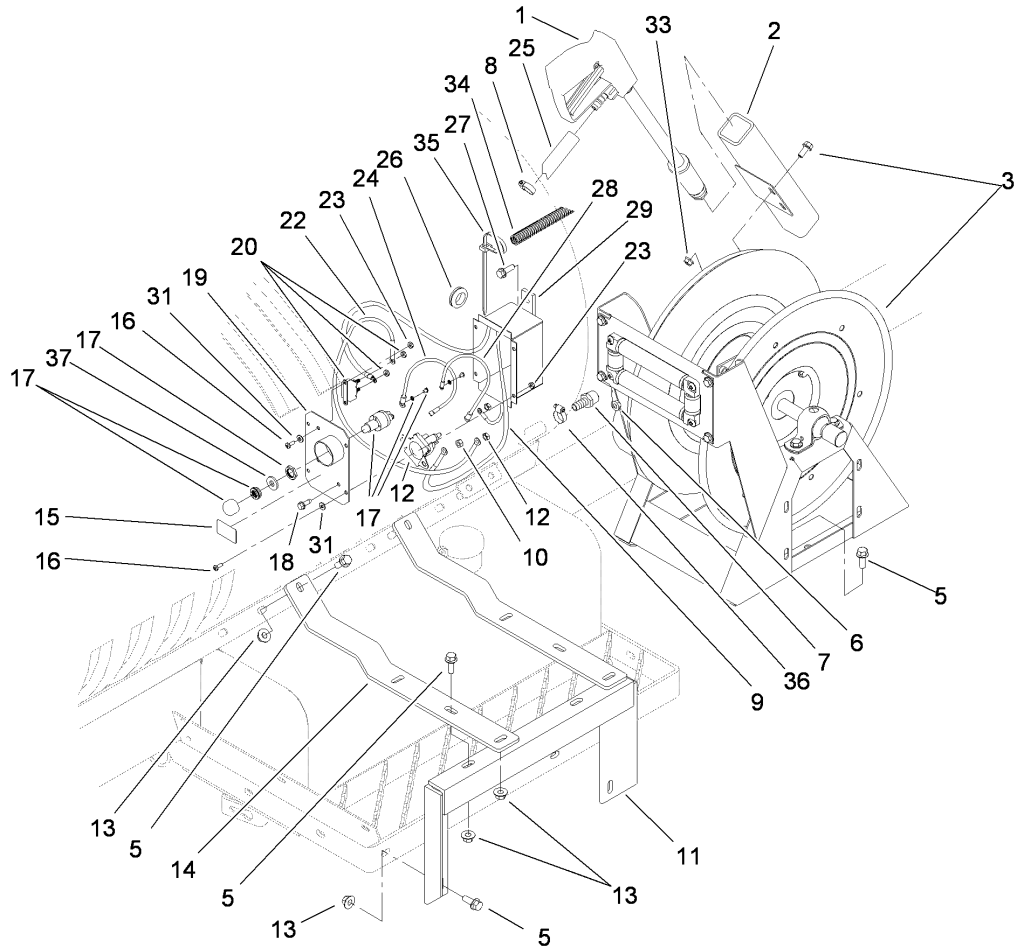
## Hardi Ball Valve Assembly No. 106-1268

Ref	Part No.	Qty.	Description
1	100-6644	2	O-Ring
2	100-8671	1	O-Ring
3	100-8637	1	O-Ring
4	100-8693	2	O-Ring
5	100-8694	2	O-Ring
6	104-8857	1	Nut
7	104-8858	1	Nipple
8	100-8687	2	Cover-End, 3-Way Valve
9	100-8686	1	Spindle-Valve, 3-Way
10	100-8697	1	Ball-3 Way Valve
11	106-1323	1	Housing
12	33113-080	4	Screw-HH
13	33023-00	4	Nut-Lock
14	100-8692	8	Washer
15	100-8695	2	Seat-Ball



### Rear Assembly

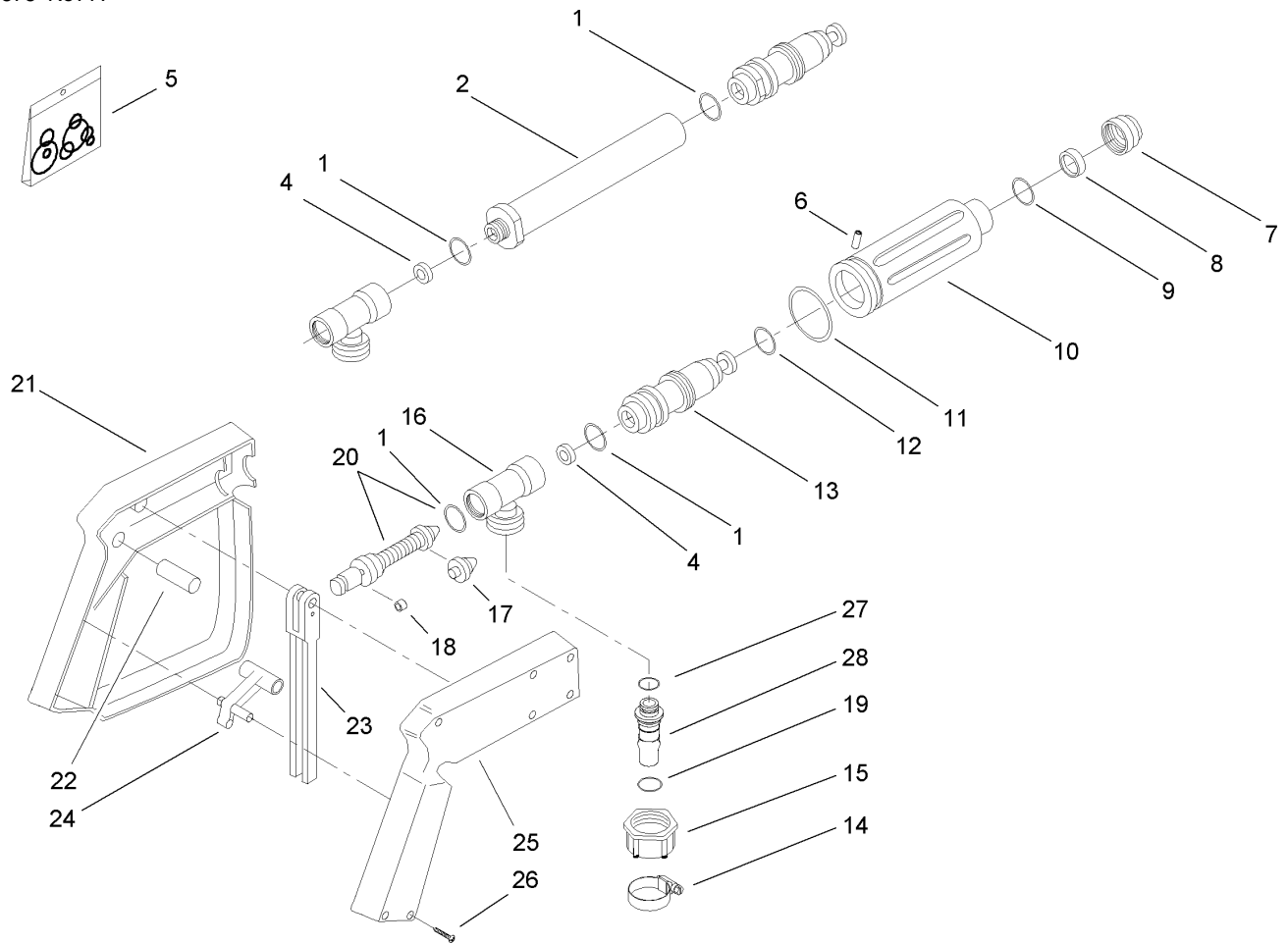
Ref	Part No.	Qty.	Description
1	32128-49	1	Nut-HHF
2	3234-32	1	Screw-HHF
3	108-3402-03	1	Angle-Mount, Valve
4	106-1320	1	Trim
5	2412-3	4	Clamp-Hose
7	106-4935	4	Hosebarb ASM
7:1	100-6712	1	O-Ring
8	104-9041	2	Tee
9	100-6708	6	Fork
10	106-4934	2	Hosebarb ASM
10:1	100-6712	1	O-Ring
11	2412-36	2	Clamp-Hose
12	100-8674	1	Coupler-Tube

## Hose Reel Assembly

Ref	Part No.	Qty.	Description
1	100-6733	1	Sprayer-Handheld
2	106-1233-03	1	Hand Spray Mounting ASM
3	106-5083	1	Hose Reel ASM
5	3234-11	10	Screw-HHF
6	32128-20	1	Nut-HF
7	110-5065	1	Hosebarb
8	2412-36	1	Clamp-Hose
9	106-5078	1	Harness-Wire
10	3217-5	2	Nut-Hex
11	106-1228-03	1	Hose Reel Support ASM
12	111674	1	Solenoid
13	32128-43	10	Nut-Flange
14	106-1227-03	2	Strap-Hose Reel
15	107-8757	1	Decal-Reel, Hose
16	3250-31	6	Screw-PPH
17	42202	1	Switch-Momentary
18	321-4	2	Screw-HH
19	95-2495-03	1	Electrical Box Cover ASM
20	42201	1	Breaker-Circuit
22	42206	1	Harness-Wire (Solenoid To Breaker)
23	3219-14	6	Nut-Hex
24	42208	1	Harness-Wire (Switch To Solenoid)

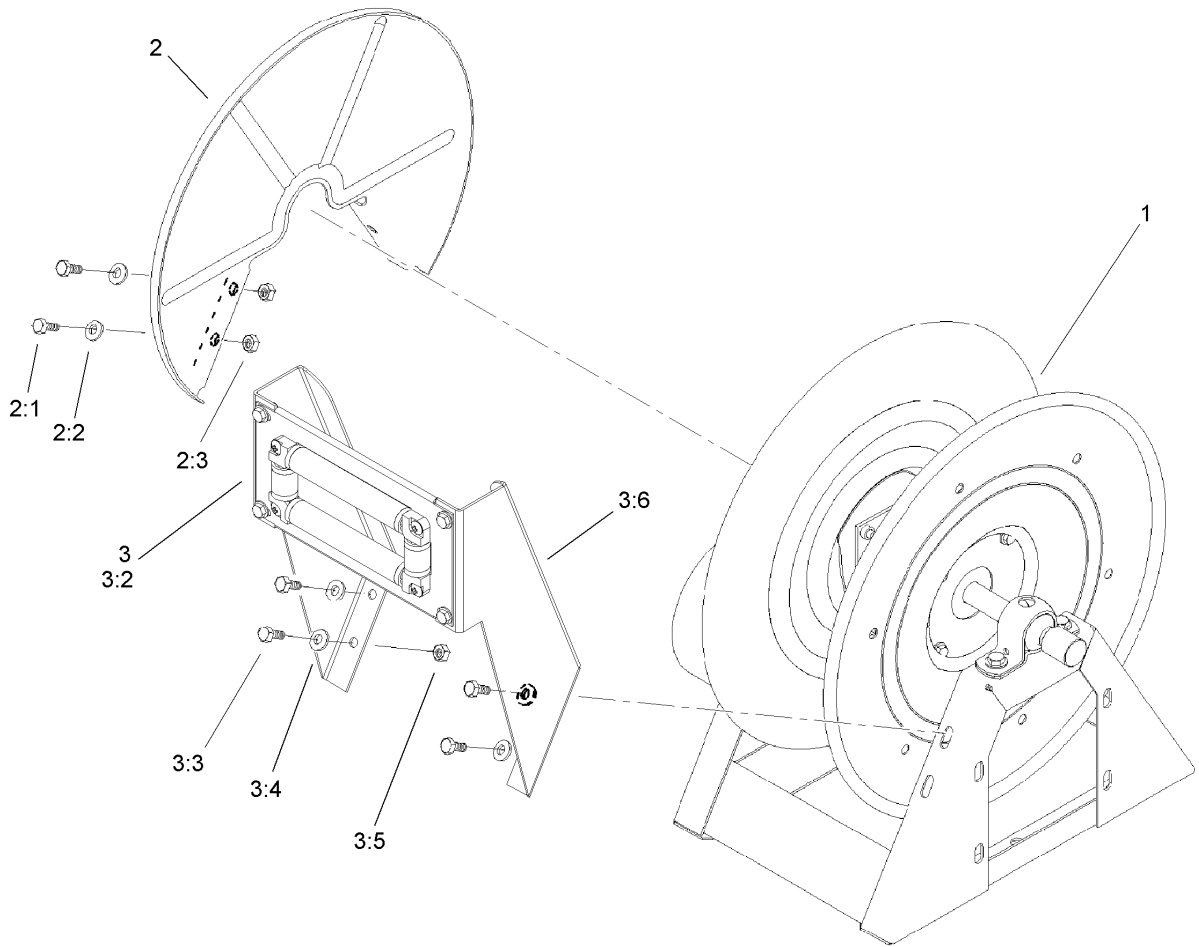
Ref	Part No.	Qty.	Description
25	107-8756	1	Hose-Hose Reel ASM
26	100-3815	1	Grommet-Rubber
27	3234-17	1	Screw-HHF
28	42207	1	Harness-Wire (Solenoid To Switch)
29	42397-03	1	Electrical Box ASM
31	3256-14	6	Washer-Flat
33	32128-20	2	Nut-HF
34	106-5089	1	Conduit-12 Inch
35	3290-378	10	Tie-Cable
36	2412-129	1	Clamp-Hose
37	105-0842	1	Spacer



## Spray Gun Assembly No. 100-6733

Ref	Part No.	Qty.	Description
1	100-6649	3	O-Ring
2	99-0885	1	Extension-Lance
4	99-0884	1	Seal-Valve, On/Off
5	99-0779	1	Repair Kit
6	99-0887	1	Pin
7	99-0890	1	Housing-Nozzle
8	99-0889	1	Nozzle-Ceramic
9	100-6650	1	O-Ring
10	99-0886	1	Housing-Swirl
11	100-6646	1	O-Ring
12	100-6644	1	O-Ring
13	99-0780	1	Swirl
14	99-0772	1	Clamp-Hose
15	107-8734	1	Nut-Swivel
16	99-0883	1	Housing-Valve
17	104-8860	1	Cone
18	104-8861	1	Sleeve-Rubber
19	100-6647	1	O-Ring
20	99-0882	1	Valve ASM
21	99-0877	1	Handle-LH
22	99-0878	1	Stop-Trigger, Rubber
23	99-0880	1	Arm-Trigger
24	99-0879	1	Arm-Safety, Trigger
25	99-0881	1	Handle-RH

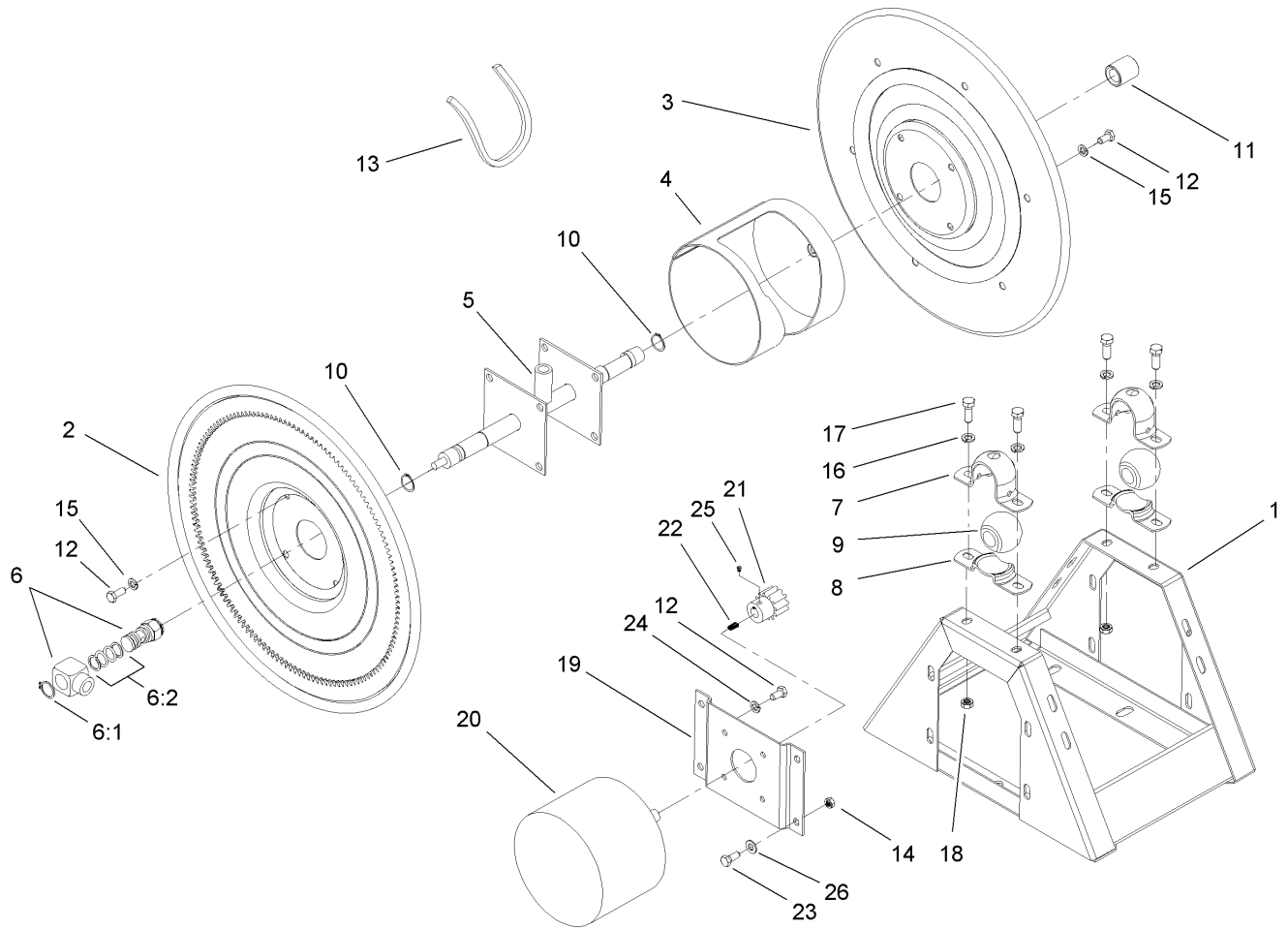
Ref	Part No.	Qty.	Description
26	100-6666	1	Screw
27	100-6648	1	O-Ring
28	106-5093	1	Hosebarb-Brass



## Hose Reel Assembly No. 106-5083

Ref	Part No.	Qty.	Description
1	104-8714	1	Reel-Hose
2	104-8715	1	Chainguard-Reel, Hose
2:1	322-5	4	Screw-HH
2:2	3256-23	4	Washer-Flat
2:3	3296-29	4	Nut-Lock, NI
3	104-8799	1	Guide-Reel, Hose
3:2	104-8820	1	Bracket-Roller Guide, Right
3:3	322-5	8	Screw-HH
3:4	3256-23	8	Washer-Flat
3:5	3296-29	8	Nut-Lock, NI
3:6	104-8821	1	Bracket-Roller Guide, Left

--	--	--	--



## Hose Reel Frame Assembly No. 104-8714

Ref	Part No.	Qty.	Description
1	104-8803	1	Hose Reel Frame ASM
2	104-8804	1	Disc And Gear ASM
3	104-8805	1	Disc-Crank, Side
4	104-8806	1	Drum-Center
5	104-8807	1	Axle ASM
6	104-8808	1	Swivel ASM
6:1	104-8812	1	Ring-Retainer
6:2	104-8864	1	Swivel Seal Kit
7	104-8809	2	Block-Pillow, Top
8	104-8810	2	Block-Pillow, Bottom
9	104-8811	2	Bearing
10	104-8812	2	Ring-Retainer
11	104-8813	1	Cap-Pipe
12	322-3	8	Screw-HH
13	104-8814	1	Trim-Edge, Drum
14	3296-29	4	Nut-Lock, NI
15	3256-23	8	Washer-Flat
16	3253-21	4	Washer-Lock
17	323-6	4	Screw-HH
18	32128-21	1	Nut-HF
19	104-8815	1	Bracket-12V Dc
20	104-8816	1	Motor-12V Dc
21	104-8817	1	Pinion
22	104-8818	4	Key

Ref	Part No.	Qty.	Description
23	322-5	4	Screw-HH
24	3253-4	1	Washer-Lock
25	104-8819	4	Screw-Set
26	3256-23	4	Washer-Flat

## NOTES

