



Light Kit Greensmaster® 1000 and 1600

Model No. 04059

Parts Catalog

Ordering Replacement Parts

To order replacement parts, please supply the part number, the quantity, and the description of each part desired.

Understanding Reference Numbers

Each identified part in an illustration has a reference number. The reference number for a part also appears in the parts list, along with other information about the part.

This catalog uses two special reference number formats, one to indicate parts in a service assembly and another to indicate the quantity of a given part in an illustration.

Service Assembly Reference Numbers

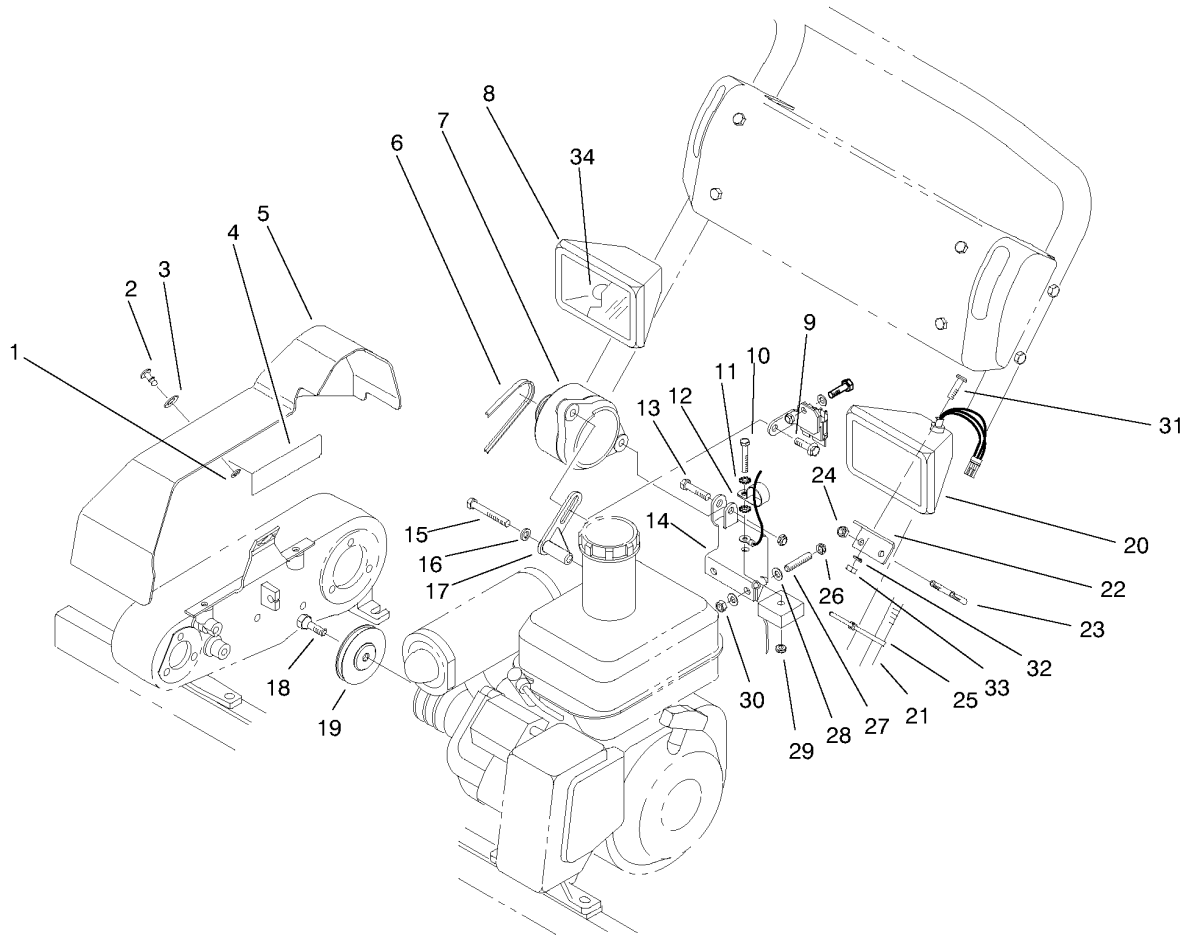
Parts in service assemblies have reference numbers in the form a:b. The a represents the reference number of the entire service assembly and the b represents a sequential number unique to each part within the service assembly.

For example, a wheel assembly might be identified by reference number 6, the tire by 6:1, the valve by 6:2, and the wheel by 6:3. When you order the assembly identified by reference number 6, you receive all parts identified by reference numbers 6:1, 6:2, and 6:3. However, you may also order any part individually. Reference numbers of this type appear in illustrations and in part lists.

Reference Numbers Indicating Quantity

In an illustration, if a reference number indicates more than one part, the reference number has the form nX y. The n represents the quantity of the part, the X is the multiplication symbol, and the y represents the reference number.

For example, in an illustration, the reference number 2X 37 means that two of the parts identified by reference number 37 are indicated.



Light Kit Assembly

Ref	Part No.	Qty.	Description
1	93-6073	1	Washer-Nylon
2	93-6074	1	Stud
3	3256-2	1	Washer-Flat
4	67-5360	1	Decal-Danger
4	93-7273	1	Decal-Danger
4	84-7280	1	Decal-Danger, Japan
5	95-0917	1	Cover ASM (Incl. Ref. #4)
6	98-7269	1	V-Belt, 2L Section
7	98-7266	1	Alternator
8	94-9024	1	Lamp ASM
9	33104-025	1	Screw-HHF
10	33113-040	1	Screw-HH
11	3255-7	2	Washer-Lock/EXT
12	2412-134	1	R-Clamp
13	33114-035	1	Screw-HH
14	95-0947	1	Bracket-Generator
15	33114-060	1	Screw-HH
16	3253-4	1	Washer-Lock
17	95-0938	1	Pivot
18	95-0946	1	Screw-Tapered
19	98-7268	1	Pulley-Generator, Driver
20	94-9023	1	Lamp ASM (W/Switch)
21	94-9022	1	Harness ASM
22	95-0943	2	Bracket-Light

Ref	Part No.	Qty.	Description
23	95-0944	2	Clamp-Light
24	3296-42	4	Nut-Lock, NI
25	3290-378	4	Tie-Cable
26	33024-00	3	Nut-Lock
27	95-0916	2	Screw Set (M-8)
28	33094-00	4	Washer-Plain
29	33023-00	1	Nut-Lock
30	33014-00	2	Nut-Hex
31	3230-28	2	Screw-CARR
32	3253-33	2	Washer-Lock
33	3217-6	2	Nut-Hex
34	95-0909	2	Lamp-12 Volt
35	110-6269	1	Switch/Nut, Lamp (Not Illustrated)