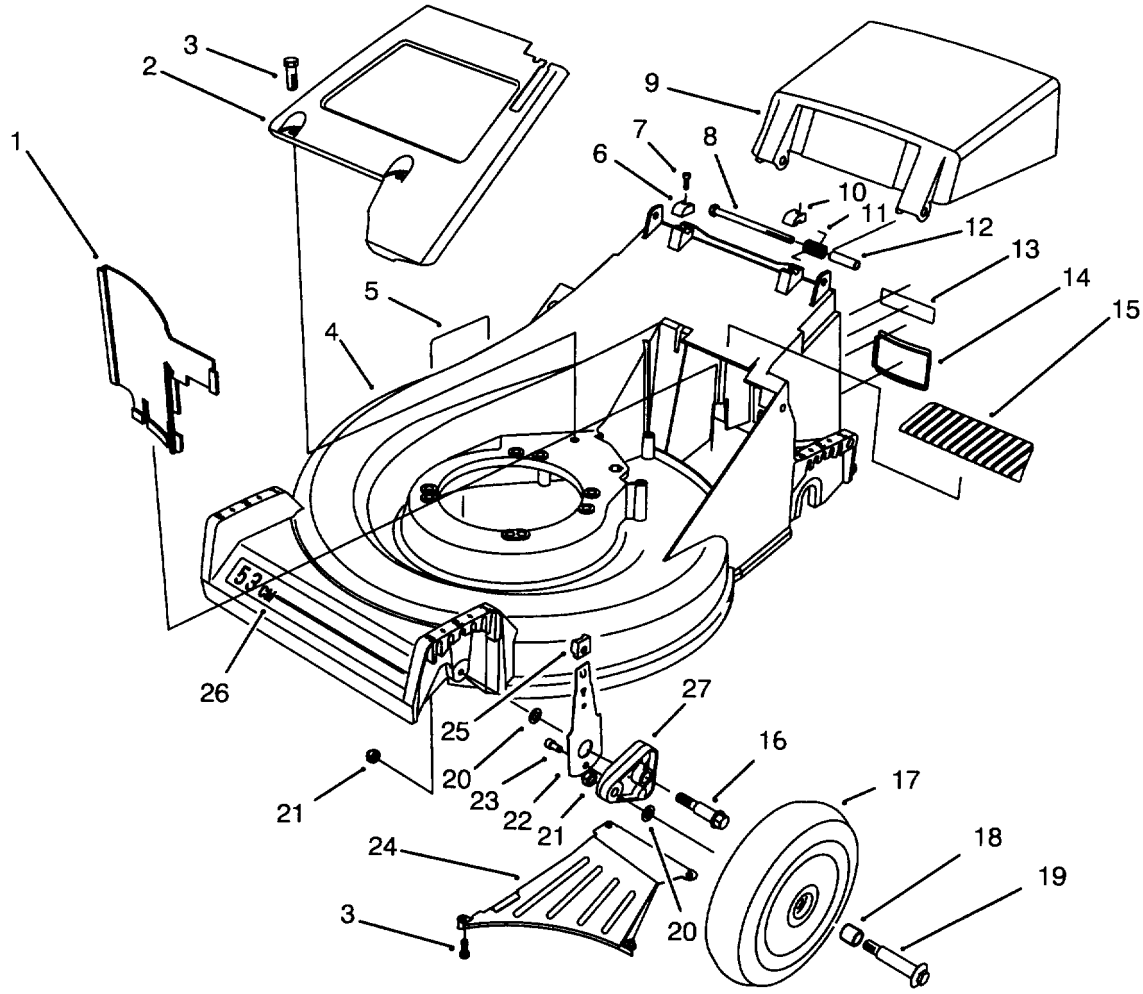




MODEL NO. 26631B-3900001 & UP

PARTS CATALOG

53cm REAR BAGGING MOWER

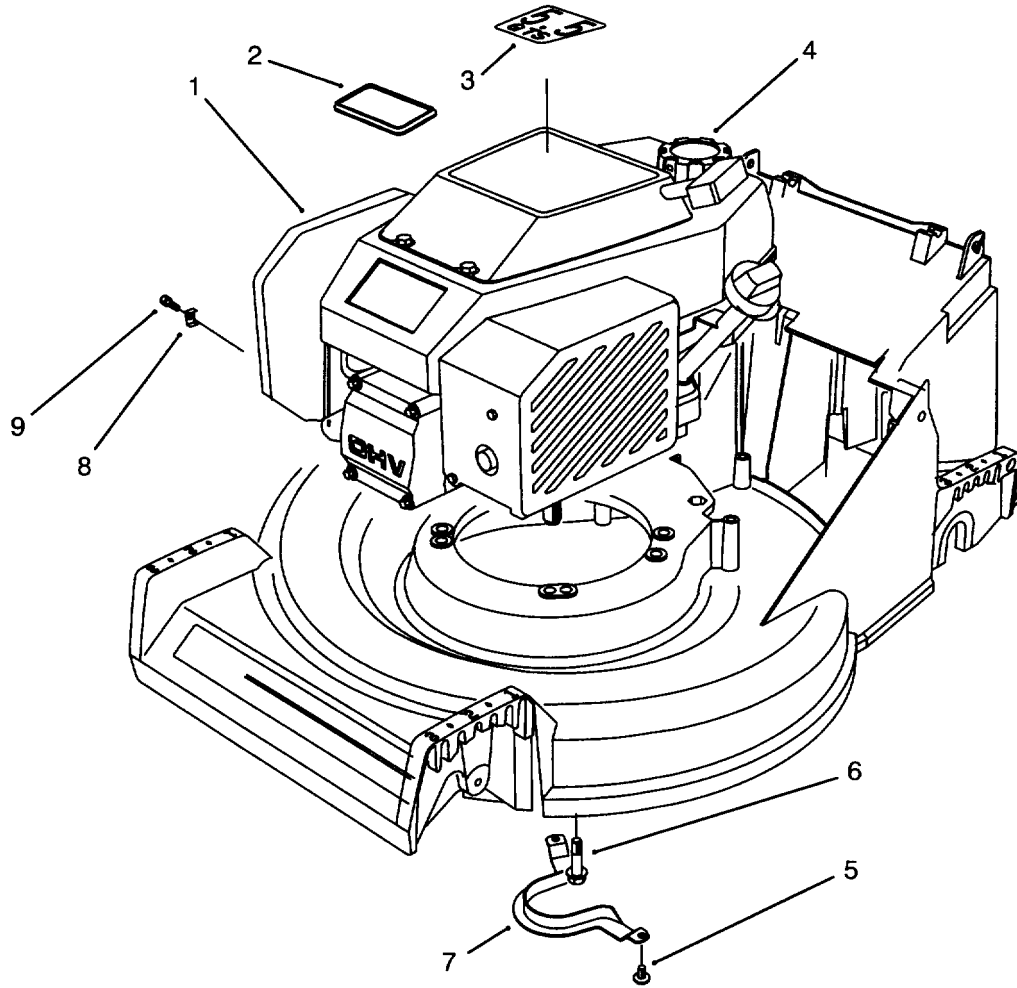


HOUSING ASSEMBLY

C-1579

| Ref. No. | Part No. | Description                            | No. Used |
|----------|----------|--|----------|
| 1        | 66-0020  | Panel - Vertical                       | 1        |
| 2        | 65-5660  | Panel - Screen                         | 1        |
| 3        | 32144-70 | Screw - Cap Hex. Hd.                   | 6        |
| 4        | 16-1769  | Housing - 53cm<br>(Incl. Ref. #5 & 26) | 1        |
| 5        | 62-3860  | Decal - Danger                         | 1        |
| 6        | 71-7910  | Cap - Hinge Bolt R.H.                  | 1        |
| 7        | 65-5210  | Screw - Thread Forming                 | 2        |
| 8        | 322-29   | Screw - Hex Hd. Cap                    | 2        |
| 9        | 71-9800  | Door - Discharge                       | 1        |
| 10       | 71-7900  | Cap - Hinge Bolt L.H.                  | 1        |
| 11       | 71-9840  | Spring - Door                          | 2        |
| 12       | 71-8580  | Spacer - Door                          | 2        |
| 13       | 66-0680  | Decal - French Regulation              | 1        |
| 14       | 71-9650  | Access - Cover                         | 1        |

| Ref. No. | Part No. | Description                               | No. Used |
|----------|----------|---|----------|
| 15       | 71-9920  | Cover - Top                               | 1        |
| 16       | 66-0560  | Screw - Shoulder                          | 2        |
| 17       | 14-9949  | Wheel & Tire Assembly<br>(Incl. Ref. #21) | 2        |
| 18       | 27-6250  | Bushing - Wheel                           | 4        |
| 19       | 27-6231  | Bolt - Wheel                              | 2        |
| 20       | 40-1940  | Washer - Wheel Bolt                       | 4        |
| 21       | 3296-6   | Nut - Lock                                | 4        |
| 22       | 66-0540  | Arm - Spring Front                        | 2        |
| 23       | 65-5220  | Screw - Cap Socket Hd.                    | 2        |
| 24       | 71-9640  | Ramp - Discharge                          | 1        |
| 25       | 25-7740  | Knob - Arm                                | 2        |
| 26       | 71-9870  | Decal - Deck 53cm                         | 1        |
| 27       | 66-0580  | Arm - Pivot Front                         | 2        |

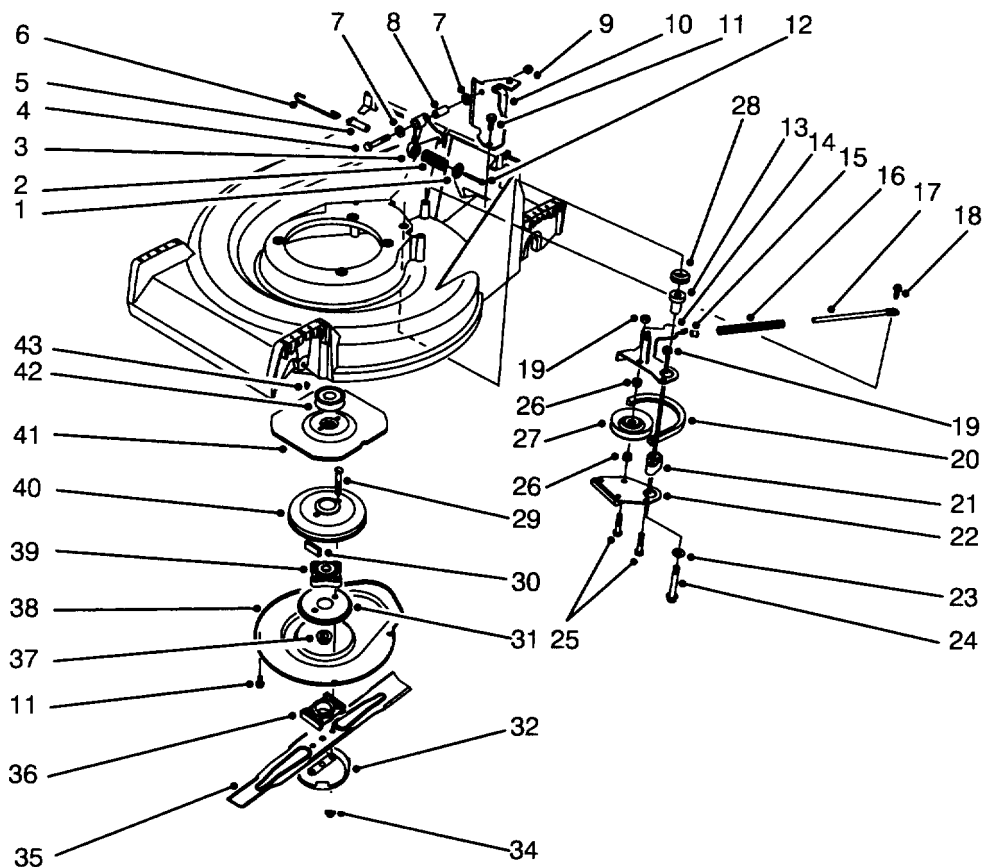


C-1582

## ENGINE ASSEMBLY

| Ref. No. | Part No. | Description          | No. Used | Ref. No. | Part No.  | Description          | No. Used |
|----------|----------|----------------------|----------|----------|-----------|----------------------|----------|
| 1        | 77-8980  | Engine - OHV         | 1        | 6        | 32144-102 | Screw - Hex. Hd. Cap | 3        |
| 2        | 92-2289  | Plate - TORO Logo    | 1        | 7        | 66-0570   | Guide - Belt         | 1        |
| 3        | 80-4800  | Decal - Recoil       | 1        | 8        | 2210-249  | Clamp - Casing       | 1        |
| 4        | 55-3570  | Gas Cap Assembly     | 1        | 9        | 86-7990   | Screw - Clamp        | 1        |
| 5        | 32144-70 | Screw - Hex. Hd. Cap | 2        |          |           |                      |          |

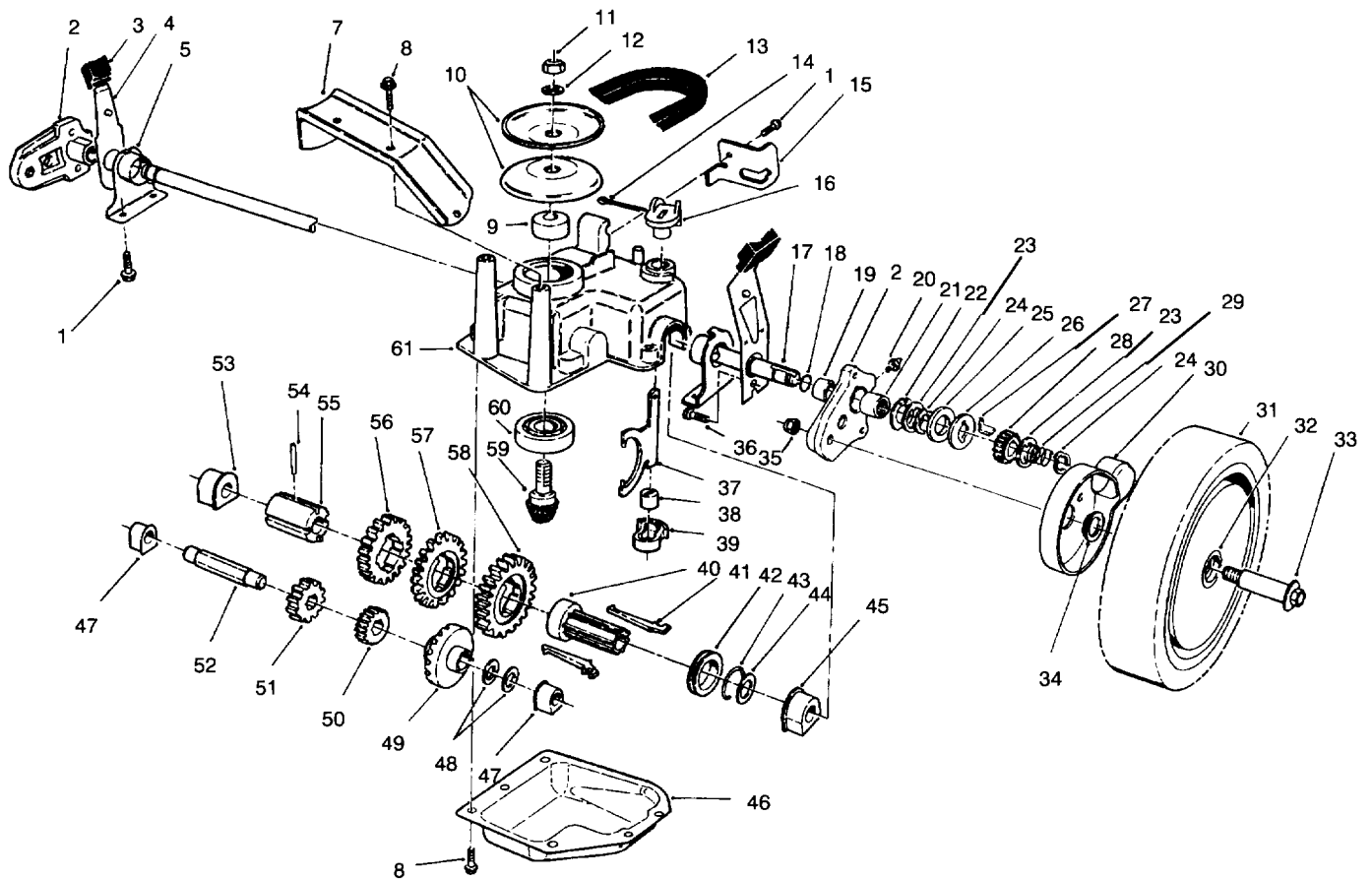
\*Not Illustrated



C-0525

## BLADE BRAKE CLUTCH ASSEMBLY

| Ref. No. | Part No. | Description             | No. Used | Ref. No. | Part No.  | Description           | No. Used |
|----------|----------|-------------------------|----------|----------|-----------|-----------------------|----------|
| 1        | 65-5280  | Retainer - Spring       | 1        | 22       | 65-5780   | Brake Plate Assembly  | 1        |
| 2        | 71-3630  | Spring - Compression    | 1        | 23       | 65-5380   | Washer                | 1        |
| 3        | 65-5700  | Crank                   | 1        | 24       | 32144-105 | Screw - Hex. Hd. Cap  | 1        |
| 4        | 322-21   | Screw - Hex. Hd. Cap    | 1        | 25       | 321-13    | Screw - Hex. Hd. Cap  | 2        |
| 5        | 71-3660  | Pin - BBC Spring        | 1        | 26       | 65-5130   | Hub - Idler Pulley    | 2        |
| 6        | 71-3650  | Link - Control          | 1        | 27       | 46-5650   | Idler Pulley Assembly | 1        |
| 7        | 3256-23  | Washer - Flat           | 2        | 28       | 253-151   | Seal - V-Ring         | 1        |
| 8        | 65-5690  | Bushing - Bellcrank     | 1        | 29       | 42-3190   | Screw - BBC           | 2        |
| 9        | 32128-44 | Nut - Lock              | 1        | 30       | 52-3480   | Dampner - Vibration   | 2        |
| 10       | 66-0030  | Bracket - Cable Support | 1        | 31       | 65-5330   | Screen - BBC          | 1        |
| 11       | 32144-70 | Screw - Hex. Hd. Cap    | 5        | 32       | 80-2770   | Cup - Anti Scalp      | 1        |
| 12       | 46-7040  | Screw - Hex. Hd. Cap    | 1        | 34       | 54-9190   | Nut - Lock            | 2        |
| 13       | 65-5720  | Bushing - BBC           | 1        | 35       | 62-7700   | Blade - 21"           | 1        |
| 14       | 66-0090  | Lever - Brake           | 1        | 36       | 62-4280   | Spacer - Blade        | 1        |
| 15       | 66-0350  | Bushing - Flange        | 1        | 37       | 3296-33   | Nut - Lock            | 1        |
| 16       | 71-3640  | Spring - Compression    | 1        | 38       | 65-5200   | Cover - BBC           | 1        |
| 17       | 65-5320  | Rod - Brake Spring      | 1        | 39       | 42-6890   | Hub Assembly          | 1        |
| 18       | 65-5670  | Bolt - Shoulder         | 1        | 40       | 62-3890   | Drum - Brake          | 1        |
| 19       | 3296-42  | Nut - Lock              | 2        | 41       | 65-5300   | Flywheel - BBC        | 1        |
| 20       | 65-5740  | Belt - BBC              | 1        | 42       | 62-7560   | Pulley - Engine       | 1        |
| 21       | 65-5070  | Hub - Brake Plate       | 1        | 43       | 3257-17   | Key - Woodruff        | 1        |



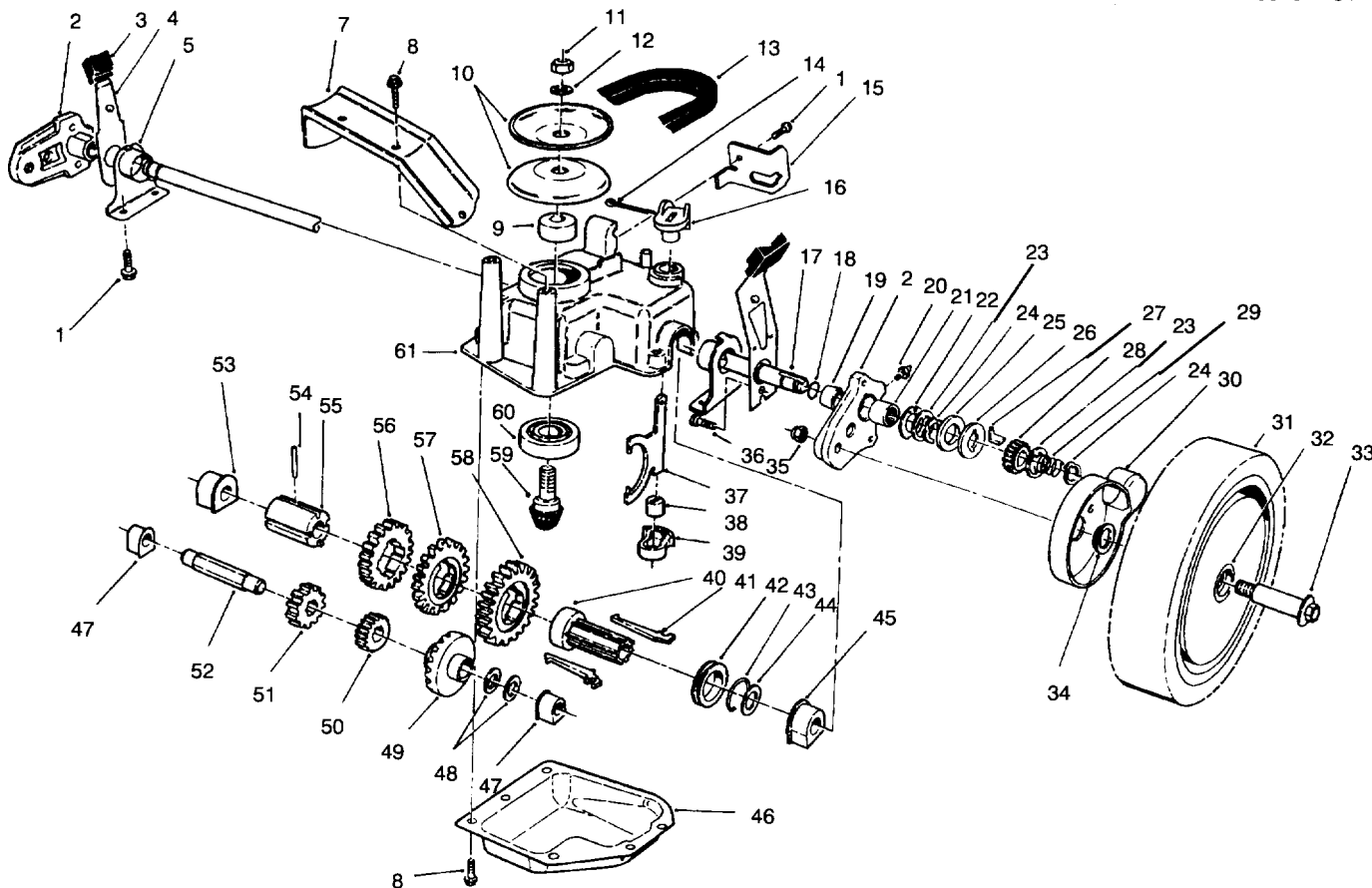
C-1555

## GEAR CASE ASSEMBLY

| Ref. No. | Part No. | Description                               | No. Used |
|----------|----------|---|----------|
| 1        | 32144-70 | Screw - Hex. Washer Hd.                   | 3        |
| 2        | 65-5042  | Pivot Arm Assembly<br>(Incl. Ref. #19-21) | 2        |
| 3        | 25-7740  | Knob - Arm                                | 2        |
| 4        | 65-5440  | Spring Arm Assembly                       | 2        |
| 5        | 66-0360  | Cap - End                                 | 2        |
| 7        | 65-5190  | Bracket - Belt Guide                      | 1        |
| 8        | 49-2040  | Screw - Self Tapping                      | 8        |
| 9        | 62-6660  | Spacer                                    | 1        |
| 10       | 60-8840  | Pulley - Half                             | 2        |
| 11       | 3296-5   | Nut - Lock                                | 1        |
| 12       | 3256-24  | Washer - Flat                             | 1        |
| 13       | 66-0210  | V-Belt                                    | 1        |
| 14       | 3272-5   | Pin - Cotter                              | 1        |
| 15       | 76-2930  | Retainer - Cable                          | 1        |
| 16       | 76-0920  | Lever - Shift                             | 1        |
| 17       | 65-4770  | Shaft - Output                            | 1        |
| 18       | 237-153  | Seal - "O" Ring                           | 2        |
| 19       | 70-9760  | Bushing - Sleeve                          | 2        |
| 20       | 302-56   | Fitting - Grease                          | 2        |
| 21       | 48-2060  | Bearing - Needle                          | 2        |
| 22       | 65-4730  | Washer - Thrust (Inner)                   | 2        |
| 23       | 65-4740  | Washer - Thrust (Keyed)                   | 4        |

| Ref. No. | Part No. | Description                                 | No. Used |
|----------|----------|---|----------|
| 24       | 65-2720  | Ring - Retaining                            | 4        |
| 25       | 65-4710  | Ring - Friction                             | 2        |
| 26       | 65-4760  | Washer - Clutch                             | 2        |
| 27       | 66-6050  | Key - Rocking (L.H.)                        | 1        |
| *        | 66-6040  | Key - Rocking (R.H.)                        | 1        |
| 28       | 65-4750  | Pinion                                      | 2        |
| 29       | 65-4720  | Spring - Compression                        | 2        |
| 30       | 74-1660  | Cover - Wheel                               | 2        |
| 31       | 14-9959  | Wheel Tire & Gear Assy.<br>(Incl. Ref. #32) | 2        |
| 32       | 27-6250  | Bushing - Wheel                             | 4        |
| 33       | 27-6231  | Bolt - Wheel                                | 2        |
| 34       | 74-1671  | Spacer - Wheel Cover                        | 2        |
| 35       | 3296-6   | Nut - Lock                                  | 2        |
| 36       | 65-5220  | Screw - Socket Hd. Cap                      | 2        |
| 37       | 60-8870  | Yoke - Shift                                | 1        |
| 38       | 29-9570  | Bushing - Yoke                              | 1        |
| 39       | 60-8810  | Retainer - Shift Fork                       | 1        |
| 40       | 76-0780  | Sleeve - Shift Key                          | 1        |
| 41       | 76-0760  | Key - Shift                                 | 2        |
| 42       | 76-0770  | Collar - Shift                              | 1        |
| 43       | 65-5250  | Clip - Spring                               | 1        |
| 44       | 36-4780  | Washer - Thrust                             | 1        |

\*Not Illustrated

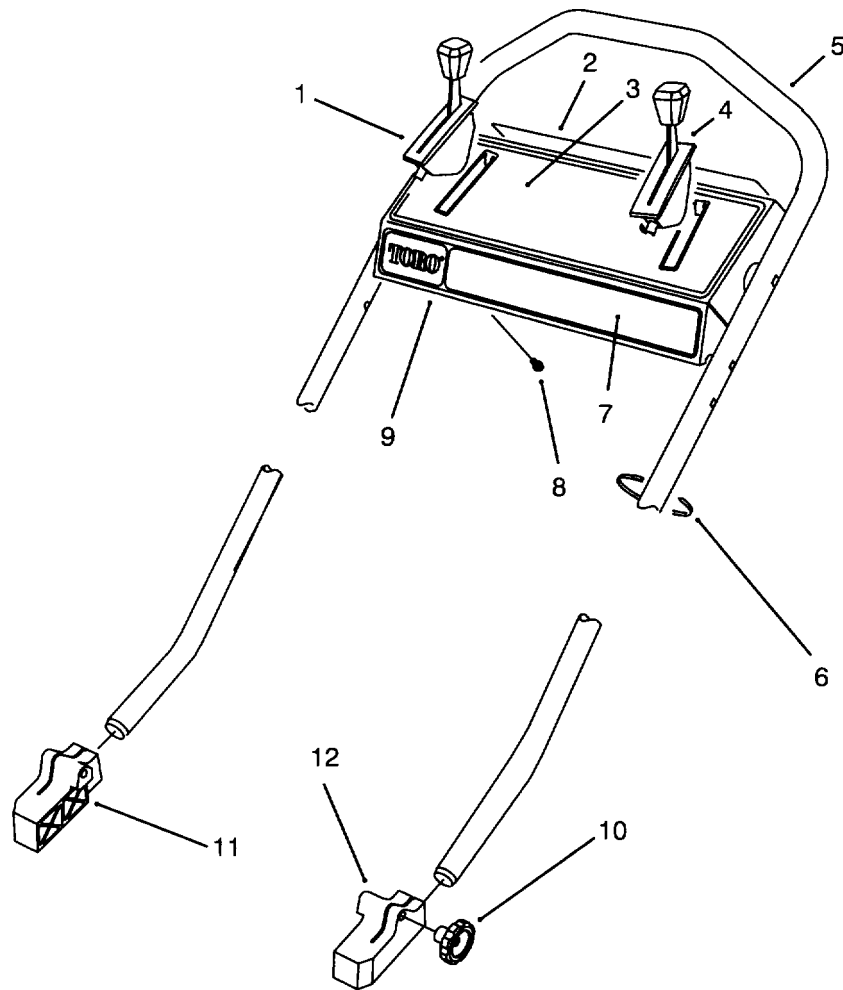


C-1555

## GEAR CASE ASSEMBLY (Continued)

| Ref. No. | Part No. | Description              | No. Used | Ref. No. | Part No.  | Description              | No. Used |
|----------|----------|--------------------------|----------|----------|-----------|--------------------------|----------|
| 45       | 60-8770  | Bushing - Output Shaft   | 1        | 54       | 32121-120 | Pin - Coil               | 1        |
| 46       | 60-8730  | Cover - Gear Case        | 1        | 55       | 60-8790   | Sleeve - Gear            | 1        |
| 47       | 60-8750  | Bushing - Intrmdt. Shaft | 2        | 56       | 55-3810   | Gear - 39T (3rd Gear)    | 1        |
| 48       | 36-4791  | Washer - Thrust          | 2        | 57       | 55-3790   | Gear - 44T (2nd Gear)    | 1        |
| 49       | 55-3760  | Gear - Pinion 15T        | 1        | 58       | 55-3770   | Gear - 49T (1st Gear)    | 1        |
| 50       | 55-3780  | Gear - Pinion 20T        | 1        | 59       | 60-8890   | Pinion - Bevel           | 1        |
| 51       | 55-3800  | Gear - Pinion 25T        | 1        | 60       | 38-7820   | Bearing - Ball           | 1        |
| 52       | 60-8800  | Shaft - Intermediate     | 1        | 61       | 60-8710   | Case - Gear (Upper)      | 1        |
| 53       | 60-8850  | Bushing - Output Shaft   | 1        | *        | 62-6673   | Gear Case Assy. Complete | 1        |

\*Not Illustrated

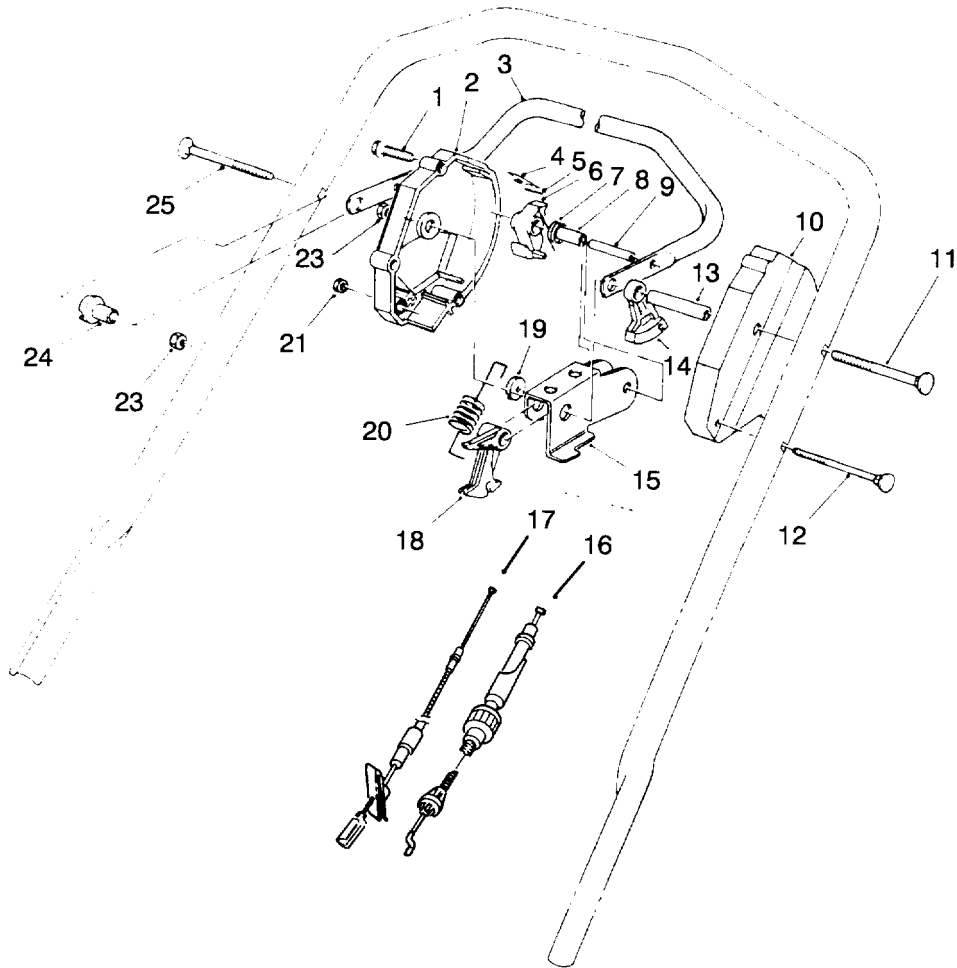


C-1569

## HANDLE ASSEMBLY

| Ref. No. | Part No. | Description            | No. Used |
|----------|----------|------------------------|----------|
| 1        | 76-2713  | Control - Ground Speed | 1        |
| 2        | 66-1790  | Decal - Danger         | 1        |
| 3        | 71-9876  | Decal - Instruction    | 1        |
| 4        | 66-0236  | Control - Throttle     |          |
|          |          | Bend Type #3           |          |
|          |          | Sheath Lg. 57"         |          |
|          |          | (145cm)                |          |
|          |          | Wire Lg. 2-3/8" (6cm)  | 1        |
| 5        | 71-9690  | Handle                 | 1        |

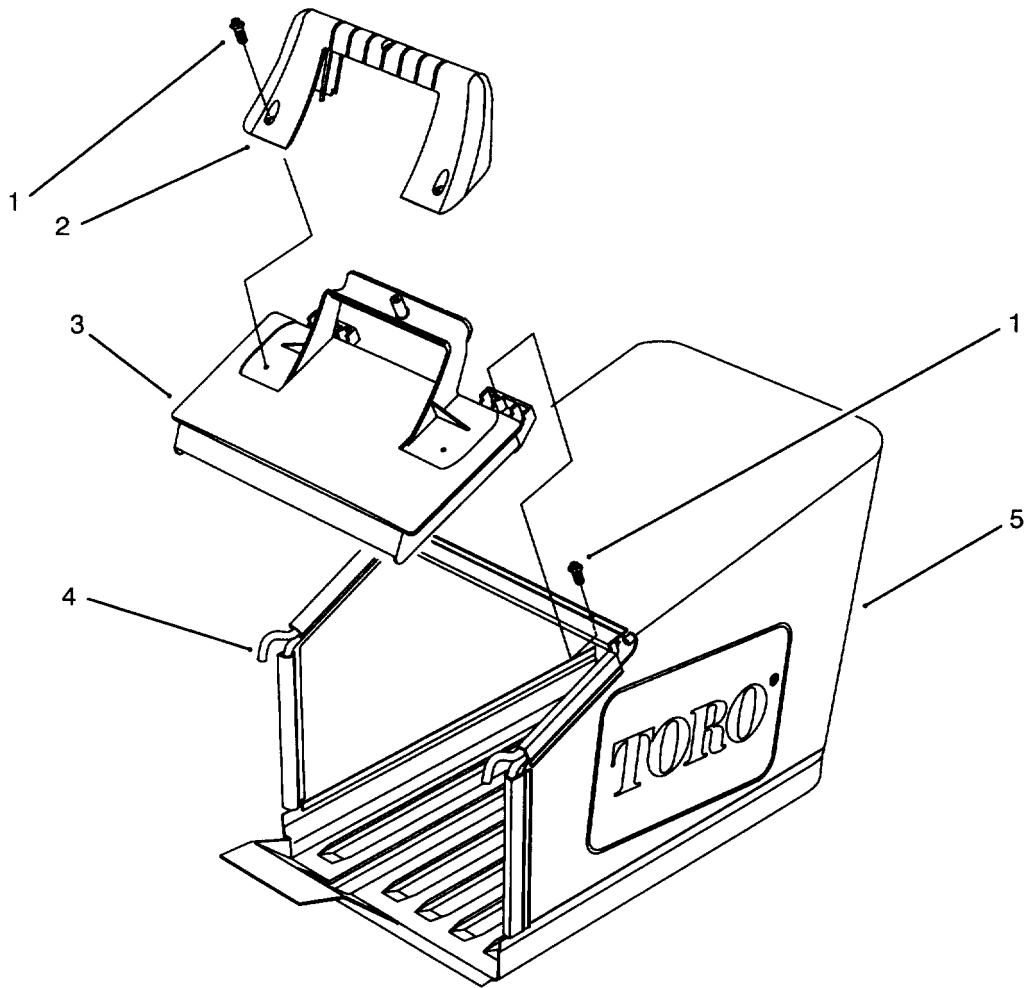
| Ref. No. | Part No. | Description             | No. Used |
|----------|----------|-------------------------|----------|
| 6        | 3290-378 | Tie - Cable             | 5        |
| 7        | 71-9872  | Decal - Panel           | 1        |
| 8        | 32104-76 | Screw - Self Tapping    | 4        |
| 9        | 16-1749  | Control Panel Assembly  |          |
|          |          | (Incl. Ref. #2, 3, & 7) | 1        |
| 10       | 19-4050  | Knob - Handle Release   | 2        |
| 11       | 71-8100  | Mount - Handle R.H.     | 1        |
| 12       | 71-8090  | Mount - Handle L.H.     | 1        |



C-1581

## TRACTION CONTROL ASSEMBLY

| Ref. No. | Part No. | Description              | No. Used | Ref. No. | Part No. | Description      | No. Used |
|----------|----------|--------------------------|----------|----------|----------|------------------|----------|
| 1        | 46-7040  | Screw - Hex. Washer Hd.  | 3        | 13       | 46-5590  | Spacer           | 1        |
| 2        | 66-0160  | Housing - Control R.H.   | 1        | 14       | 46-5520  | Lever - Traction | 1        |
| 3        | 52-7430  | Control Bar Assembly     | 1        | 15       | 66-0180  | Rocker           | 1        |
| 4        | 52-7410  | Spring - Leaf            | 1        | 16       | 77-0210  | Cable - Traction | 1        |
| 5        | 57-6290  | Pin - Insert             | 1        | 17       | 77-0190  | Cable - Clutch   | 1        |
| 6        | 46-5530  | Hook - Control           | 1        | 18       | 46-5540  | Lever - Cable    | 1        |
| 7        | 46-5510  | Spring - Torsion         | 1        | 19       | 66-0170  | Washer - Nylon   | 1        |
| 8        | 46-5550  | Bushing - Sleeve         | 1        | 20       | 66-0190  | Spring - Detent  | 1        |
| 9        | 32121-9  | Pin - Coil               | 1        | 21       | 3296-8   | Nut - Lock       | 1        |
| 10       | 46-5460  | Housing - Control (L.H.) | 1        | 23       | 3296-58  | Nut - Lock       | 2        |
| 11       | 17-9425  | Screw - Handle           | 1        | 24       | 66-0330  | Support - Spacer | 1        |
| 12       | 46-6431  | Screw - Handle           | 1        | 25       | 17-9426  | Screw - Handle   | 1        |



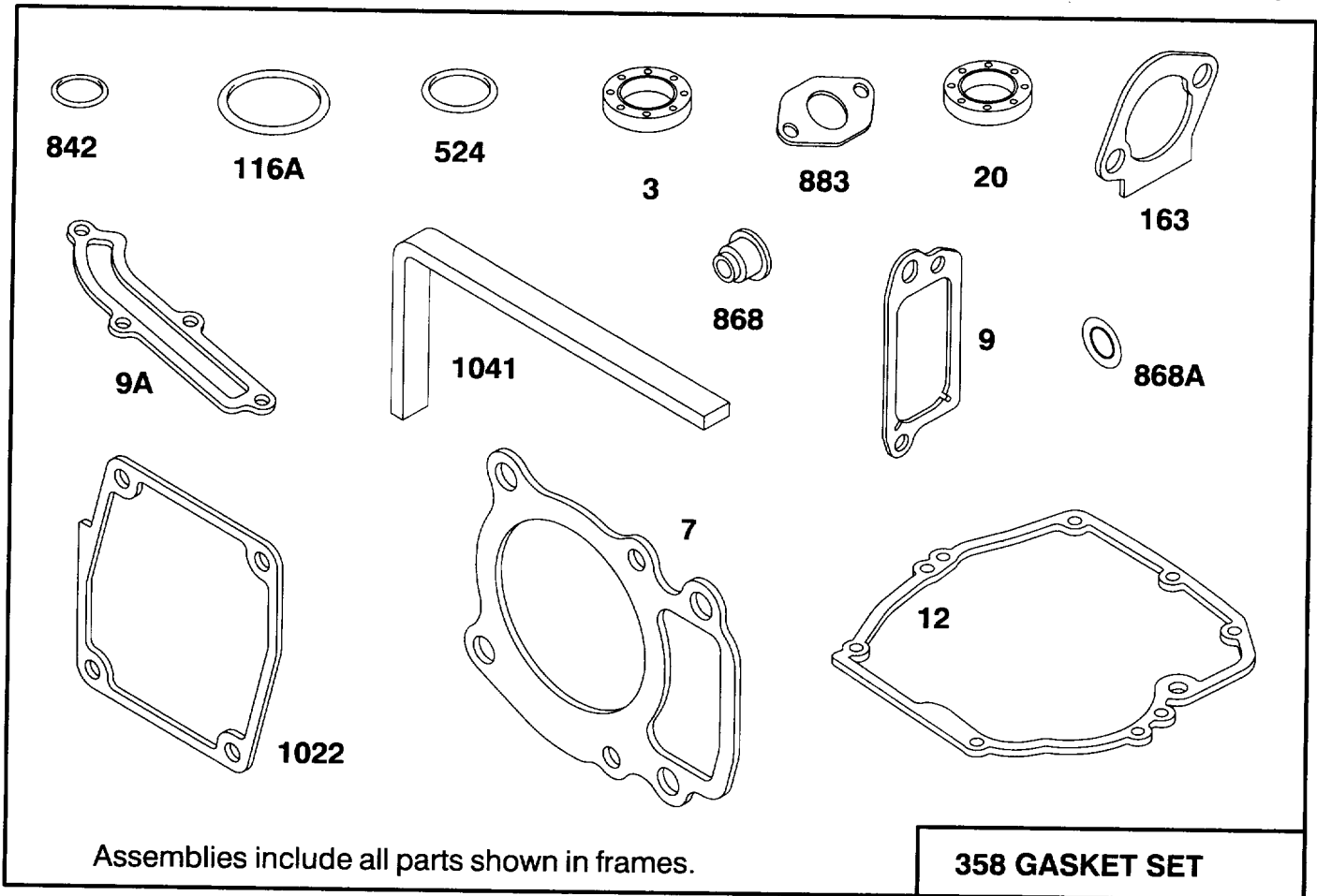
C-1570

## GRASS BAG ASSEMBLY

| Ref. No. | Part No.  | Description                   | No. Used |
|----------|-----------|-------------------------------|----------|
| 1        | 32144-111 | Screw - Index Hex Washer Head | 5        |
| 2        | 71-9480   | Handle - Door                 | 1        |

| Ref. No. | Part No. | Description       | No. Used |
|----------|----------|-------------------|----------|
| 3        | 71-9470  | Door - Bag        | 1        |
| 4        | 71-9930  | Frame - Grass Bag | 1        |
| 5        | 71-9680  | Bag - Grass 53cm  | 1        |



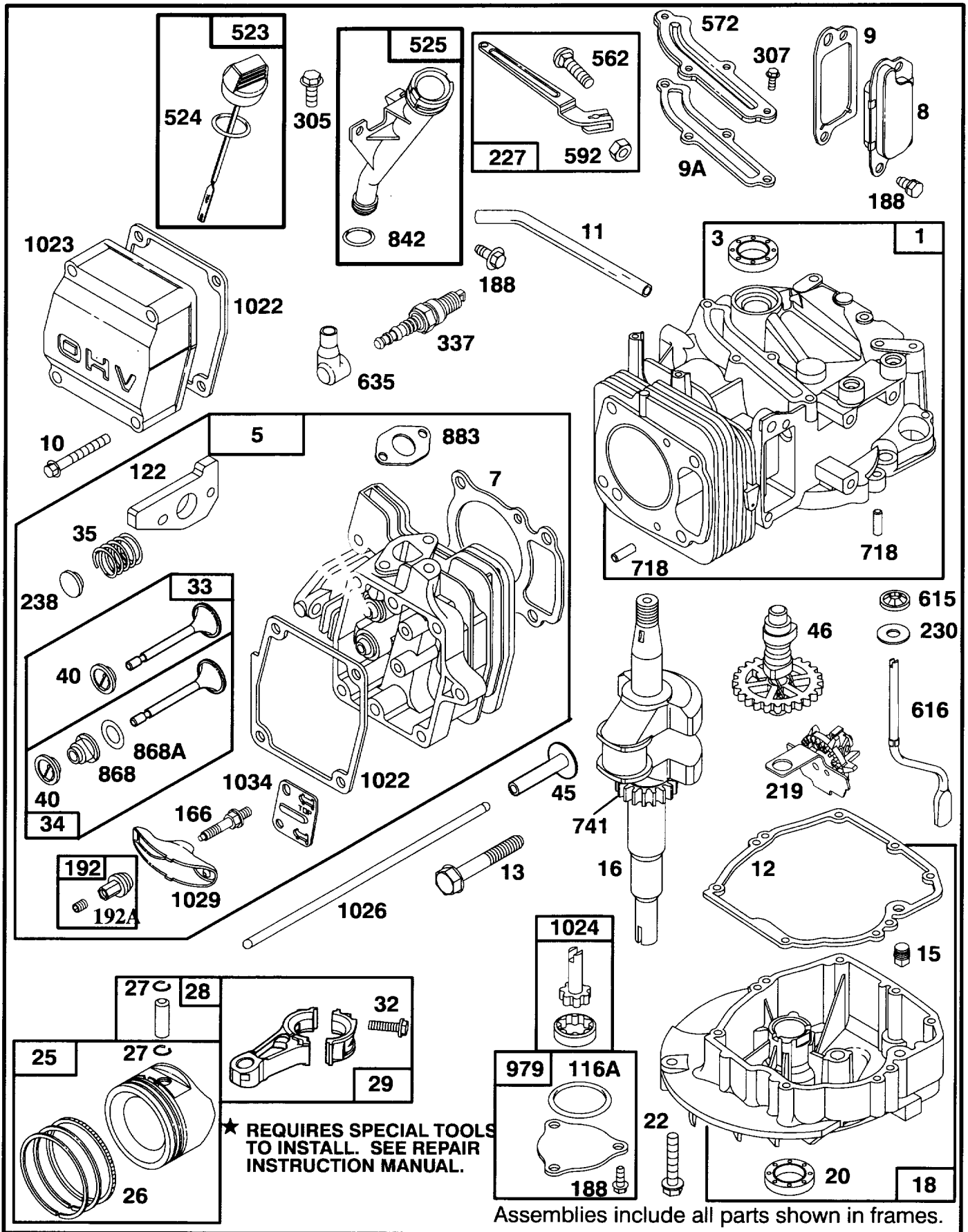


## ENGINE GTS 150

| Ref. No. | Part No. | Description            | No. Used |
|----------|----------|------------------------|----------|
| 3        | 77-9060  | Seal - Oil             | 1        |
| 7        | 77-7740  | Gasket - Cylinder Head | 1        |
| 9        | 77-9250  | Gasket - Valve Cover   | 1        |
| 9A       | 77-7410  | Gasket - Breather      | 1        |
| 12       | 77-7550  | Gasket - Engine Base   | 1        |
| 20       | 77-7570  | Seal - Oil             | 1        |
| 116A     | 77-7660  | Seal - O Ring          | 1        |
| 163      | 77-7960  | Gasket - Air Cleaner   | 1        |

| Ref. No. | Part No. | Description           | No. Used |
|----------|----------|-----------------------|----------|
| 524      | 77-7270  | Seal - Intake Elbow   | 1        |
| 842      | 77-7300  | Seal - O Ring         | 1        |
| 868      | 77-7890  | Seal Assy - Valve     | 1        |
| 868A     | 77-7900  | Gasket - Valve        | 1        |
| 883      | 77-7760  | Gasket - Exhaust      | 1        |
| 1022     | 77-7320  | Gasket - Rocker Cover | 1        |
| 1041     | 77-8590  | Seal - Foam           | 1        |

# ENGINE GTS-150



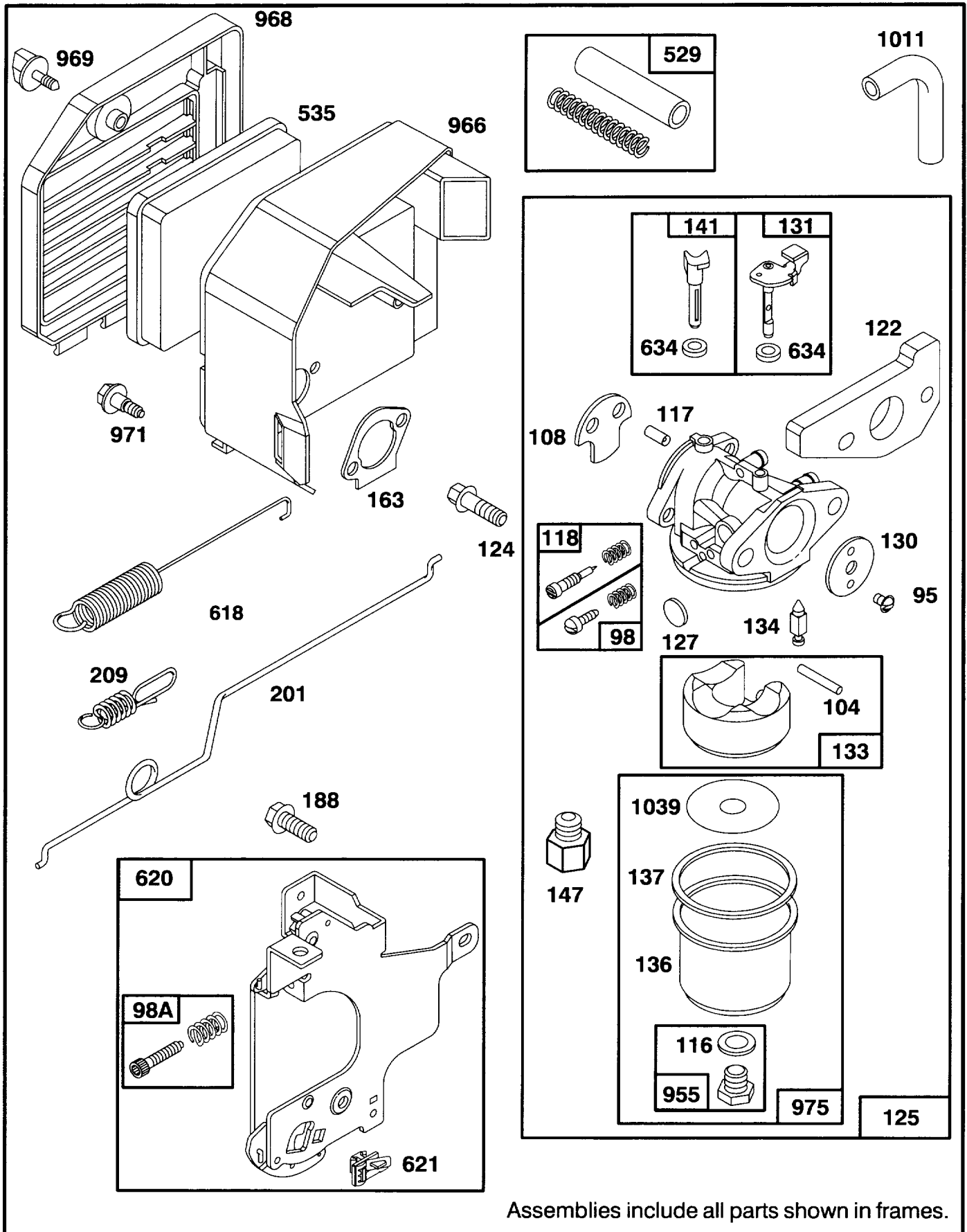
## ENGINE GTS-150

| Ref. No. | Part No. | Description                                       | No. Used | Ref. No. | Part No. | Description   | No. Used |
|----------|----------|---|----------|----------|----------|---|----------|
| 1        | 77-7590  | Cylinder Assy.                                    | 1        | 192      | 77-7910  | Nut - Hex Special   | 2        |
| *3       | 77-9060  | Seal - Oil  | 1        | 192A     | 77-9090  | Screw - Set   | 2        |
| 5        | 77-7730  | Head - Cylinder                                   | 1        | 219      | 77-7500  | Gear - Governor   | 1        |
| *7       | 77-7740  | Gasket - Cylinder Head                            | 1        | 227      | 77-7370  | Lever - Governor  | 1        |
| 8        | 77-9260  | Breather - Valve                                  | 1        | 230      | 77-7470  | Washer - Thrust   | 1        |
| *9       | 77-9250  | Gasket - Valve Cover                              | 1        | 238      | 77-7800  | Cap - Valve   | 2        |
| *9A      | 77-7410  | Gasket - Breather                                 | 1        | 305      | 77-8310  | Screw - Hex. Head   | 2        |
| 10       | 77-7360  | Screw - Hex. Head<br>(valve cover)                | 4        | 307      | 77-7420  | Screw - Sem<br>(breather cover)   | 4        |
| 11       | 77-7350  | Tube - Breather                                   | 1        | 337      | 77-7330  | Plug - Spark  | 1        |
| *12      | 77-7550  | Gasket - Engine Base                              | 1        | 523      | 77-7260  | Dipstick - Oil  | 1        |
| 13       | 77-7630  | Screw - Cylinder Head                             | 4        | *524     | 77-7270  | Seal - Intake Elbow   | 1        |
| 15       | 77-9240  | Plug - Oil Drain                                  | 1        | 525      | 77-7290  | Tube - Oil Filler   | 1        |
| 16       | 77-7510  | Crankshaft  | 1        | 562      | 77-7380  | Bolt - Governor Lever   | 1        |
|          |          | Note: Order Part No<br>77-7540                    |          | 572      | 77-7400  | Baffle - Cylinder   | 1        |
|          |          | For Timing Gear Key                               |          | 592      | 77-7390  | Nut - Hex.  | 1        |
| 18       | 77-7560  | Base - Engine                                     | 1        | 615      | 77-7480  | Fastener  | 1        |
| *20      | 77-7570  | Seal - Oil  | 1        | 616      | 77-7460  | Crank - Governor  | 1        |
| 22       | 77-9070  | Screw - Engine Base                               | 7        | 635      | 77-7340  | Elbow - Spark Plug  | 1        |
|          |          | Note: Order Prt No.77-9080                        |          | 718      | 77-7600  | Dowel - Sleeve  | 2        |
|          |          | For Hole Nearest Breather                         |          | 741      | 77-7530  | Gear - Timing   | 1        |
| 25       | 77-7690  | Piston Assy. (Std.)                               | 1        | *842     | 77-7300  | Seal - O Ring   | 1        |
| 26       | 77-7700  | Ring Set (Std.)                                   | 1        | *868     | 77-7890  | Seal Assy. - Valve  | 1        |
| 27       | 77-7710  | Lock - Piston Pin                                 | 2        | *868A    | 77-7900  | Gasket - Valve  | 1        |
| 28       | 77-7720  | Pin - Piston (Std)                                | 1        | *883     | 77-7760  | Gasket - Exhaust  | 1        |
| 29       | 77-7670  | Rod - Connecting                                  | 1        | 979      | 77-7650  | Cover - Oil Pump  | 1        |
| 32       | 77-7680  | Screw - Connecting Rod                            | 2        | *1022    | 77-7320  | Gasket - Rocker Cover   | 1        |
| 33       | 77-7860  | Valve - Exhaust                                   | 1        | 1023     | 77-7060  | Cover - Valve   | 1        |
| 34       | 77-7880  | Valve - Intake                                    | 1        | 1024     | 77-7640  | Pump - Oil  | 1        |
| 35       | 77-7810  | Spring - Valve                                    | 2        | 1026     | 77-7620  | Rod - Push  | 2        |
| 40       | 77-7870  | Retainer - Spring                                 | 2        | 1029     | 77-7790  | Arm - VLV Rocker  | 2        |
| 45       | 77-7610  | Tappet - Valve                                    | 2        | 1034     | 77-7770  | Guide - Push Rod  | 1        |
| 46       | 77-7490  | Gear - Cam  | 1        | *        | 77-9280  | Short Block   |          |
| *116A    | 77-7660  | Seal - O Ring                                     | 1        |          |          | (Incl. Ref. #1, 7, 9, 9A, 16,<br>18, 25, 28, 29, 45, 46, 122,<br>219, 230, 615, 616, 883,<br>979, 1022, & 1024 pg. 10)<br>(Incl. Ref. #163 pg.12) | 1        |
| †122     | 77-7820  | Adapter Assy.                                     | 1        |          |          |   |          |
| 166      | 77-7780  | Stud - Rocker Arm                                 | 2        |          |          |   |          |
| 188      | 77-7450  | Screw - Sem<br>(Breather Mounting,<br>pump cover) | 5        |          |          |   |          |

\*Included in Gasket Set

†Included in Carburetor Overhaul Kit

# ENGINE GTS-150



Assemblies include all parts shown in frames.

## ENGINE GTS-150

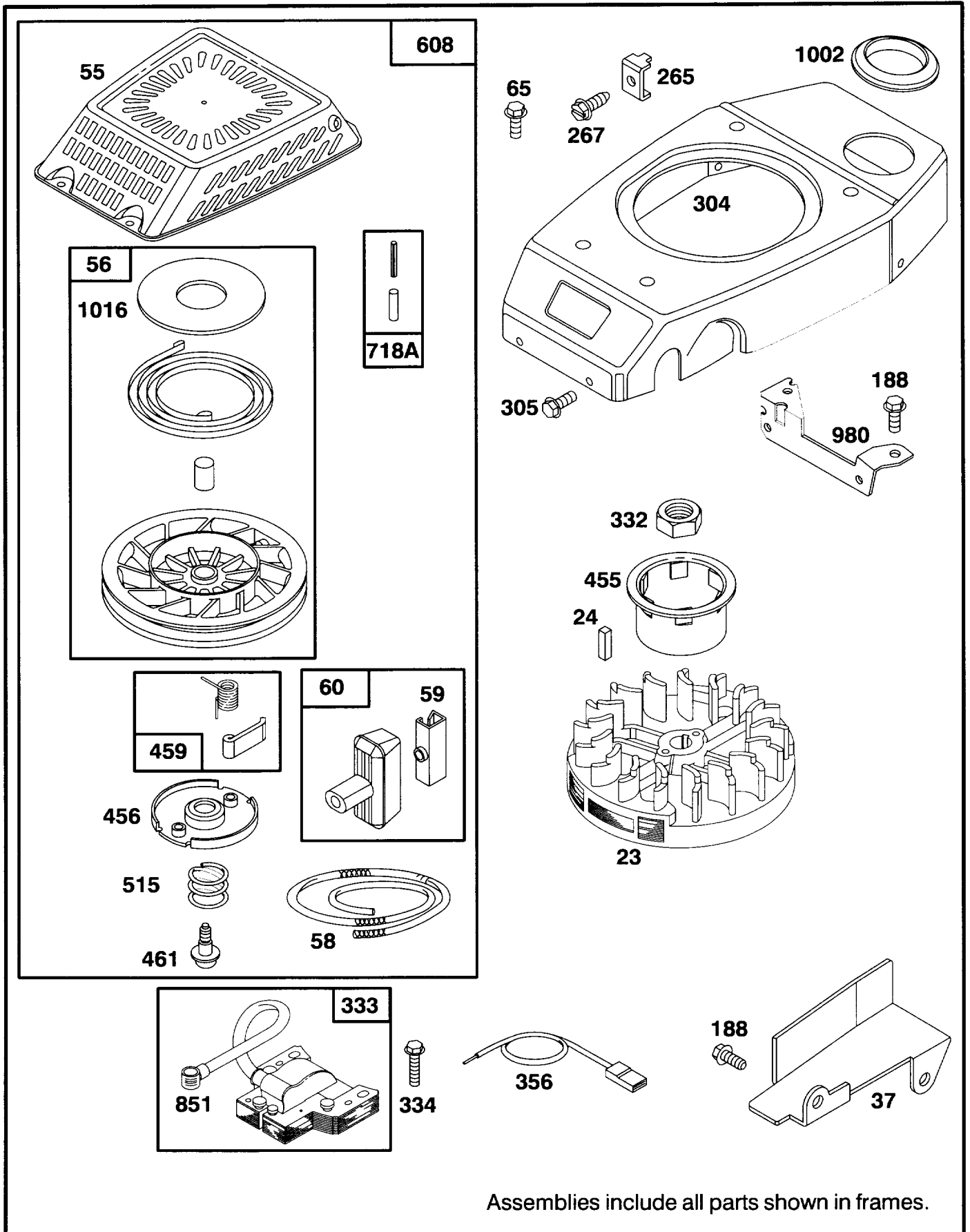
| Ref. No. | Part No. | Description   | No. Used |
|----------|----------|---|----------|
| 95       | 77-8090  | Screw - Round Head  | 1        |
| 98       | 77-8240  | Screw - Idle Adj.   | 1        |
| 98A      | 77-8020  | Screw Assy - Speed Adj.   | 1        |
| †104     | 77-8180  | Pin - Float Hinge   | 1        |
| 108      | 77-8070  | Valve - Choke   | 1        |
| †116     | 77-8210  | Washer - Fuel Bowl  | 1        |
| †117     | 77-8060  | Jet - Needle Valve  | 1        |
| †118     | 77-8230  | Valve & Kit - Needle  | 1        |
| †122     | 77-7820  | Adapter Assy.   | 1        |
| 124      | 77-7970  | Screw - Hex Head<br>(carburetor mounting)                               | 2        |
| 125      | 77-8050  | Carburetor Assy   | 1        |
| †127     | 77-8100  | Plug - Welch  | 1        |
| 130      | 77-8080  | Valve - Throttle  | 1        |
| 131      | 77-8160  | Shaft - Throttle  | 1        |
| 133      | 77-8170  | Float - Carburetor  | 1        |
| †134     | 77-8110  | Valve - Float<br>(Includes Seat)  | 1        |
| 136      | 77-7240  | Bowl - Fuel   | 1        |
| †137     | 77-8200  | Gasket - Fuel Bowl  | 1        |
| 141      | 77-8130  | Shaft - Choke   | 1        |
| 147      | 77-8120  | Adapter - Jet<br>Note: For High Altitude Jet,<br>Order Part No. 77-9000 | 1        |

| Ref. No. | Part No. | Description   | No. Used |
|----------|----------|---|----------|
| *163     | 77-7960  | Gasket - Air Cleaner  | 1        |
| 188      | 77-7450  | Screw - Hex. Head<br>(connecting bracket)                       | 2        |
| 201      | 77-7980  | Link - Governor   | 1        |
| 209      | 77-7990  | Spring - Governor   | 1        |
| 529      | 77-8030  | Tube - Breather   | 1        |
| 535      | 77-7950  | Element - Filter<br>Note: 77-9010 - Element<br>Paper (Optional) | 1        |
| 618      | 77-8140  | Spring - Return   | 1        |
| 620      | 77-8000  | Bracket - Carburetor  | 1        |
| 621      | 77-8010  | Switch - Stop   | 1        |
| †634     | 77-8150  | Washer - Seal   | 2        |
| 955      | 77-8220  | Screw - Hex Head  | 1        |
| 966      | 77-7940  | Base Air Cleaner  | 1        |
| 968      | 77-7040  | Cover - Air Cover   | 1        |
| 969      | 77-7920  | Screw - Air Cleaner   | 1        |
| 971      | 77-7930  | Screw - Air Cleaner   | 3        |
| 975      | 77-8190  | Bowl Assy. - Carburetor   | 1        |
| 1011     | 77-8040  | Tube - Vent   | 1        |
| †1039    | 77-7250  | Limitter - Float  | 1        |

\*Included in Gasket Set

†Included in Carburetor Overhaul Kit

# ENGINE GTS-150



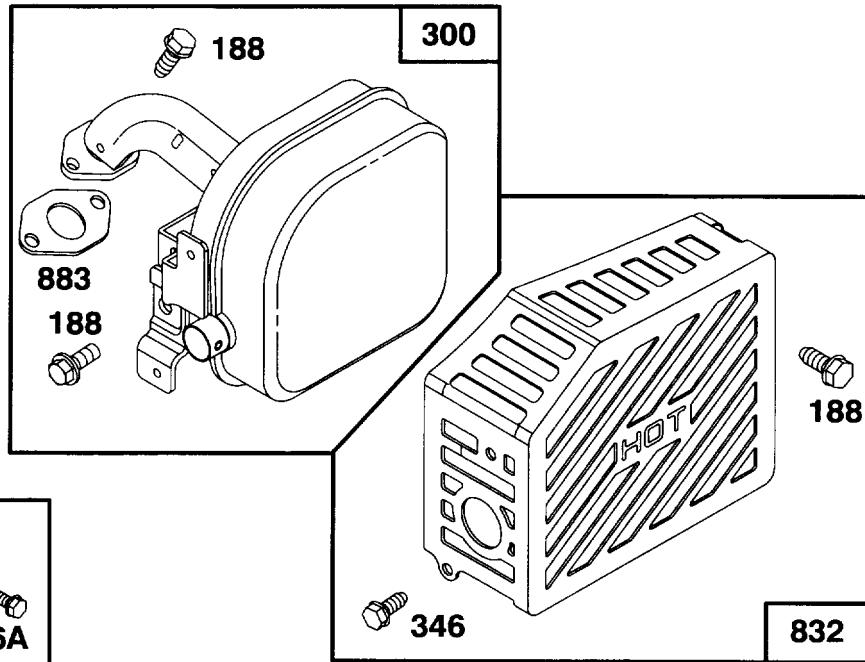
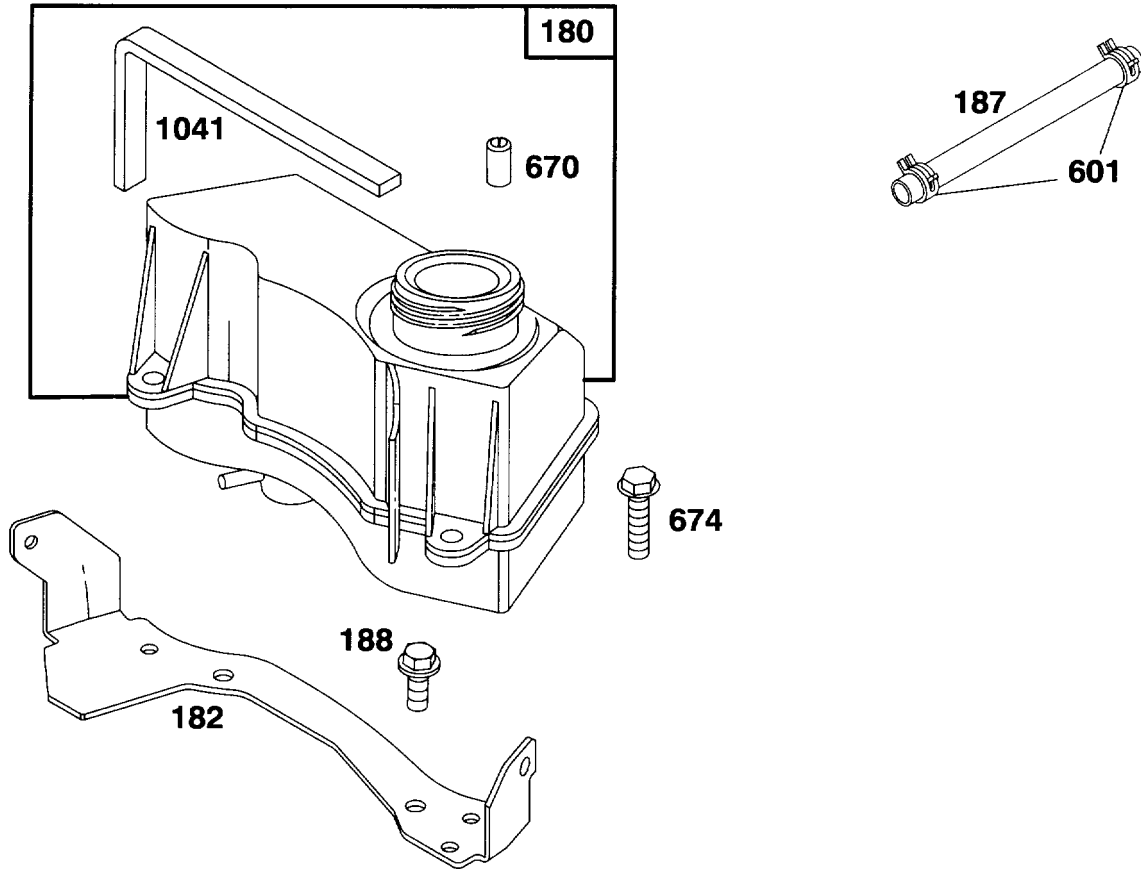
Assemblies include all parts shown in frames.

## ENGINE GTS-150

| Ref. No. | Part No. | Description   | No. Used |
|----------|----------|---|----------|
| 23       | 77-8330  | Flywheel - Magneto  | 1        |
| 24       | 77-8340  | Key - Flywheel  | 1        |
| 37       | 77-7190  | Guard - Flywheel  | 1        |
| 55       | 77-8460  | Housing - Rewind Starter                                  | 1        |
| 56       | 77-9270  | Pulley - Rewind Starter                                   | 1        |
| 58       | 77-8480  | Spool - Starter Rope<br>(Cut To Suit)                     | 1        |
| 59       | 77-7210  | Insert - Starter Grip                                     | 1        |
| 60       | 77-8510  | Grip - Starter Rope                                       | 1        |
| 65       | 77-8300  | Screw - Hex. Head   | 4        |
| 188      | 77-7450  | Screw - Hex. Head<br>( Blower bracket,<br>Flywheel Guard) | 4        |
| 265      | 77-8280  | Clamp - Casing  | 1        |
| 267      | 77-8290  | Screw - Hex Head  | 1        |
| 304      | 77-8270  | Housing - Blower  | 1        |
| 305      | 77-8310  | Screw - Hex. Head<br>(blower housing)                     | 4        |

| Ref. No. | Part No. | Description               | No. Used |
|----------|----------|---------------------------|----------|
| 332      | 77-8360  | Nut - Hex                 | 1        |
| 333      | 77-8420  | Armature - Magneto        | 1        |
| 334      | 77-8440  | Screw - Sem               | 2        |
| 356      | 77-8400  | Wire - Ground             | 1        |
| 455      | 77-8350  | Cup - Starter             | 1        |
| 456      | 77-8470  | Retainer - Spring         | 1        |
| 459      | 77-8530  | Pawl & Spring Ratchet     | 2        |
| 461      | 77-8490  | Screw - Rewind Starter    | 1        |
| 515      | 77-8500  | Spring - Retainer         | 1        |
| 608      | 77-8450  | Starter Assy - Rewind     | 1        |
| 718A     | 77-8550  | Dowel - Sleeve            | 1        |
| 851      | 77-8430  | Terminal - Spark Plug     | 1        |
| 980      | 77-7140  | Bracket - Blower Housing. | 1        |
| 1002     | 77-7180  | Grommet                   | 1        |
| 1016     | 77-8570  | Cover - Pulley            | 1        |

# ENGINE GTS-150



Assemblies include all parts shown in frames.

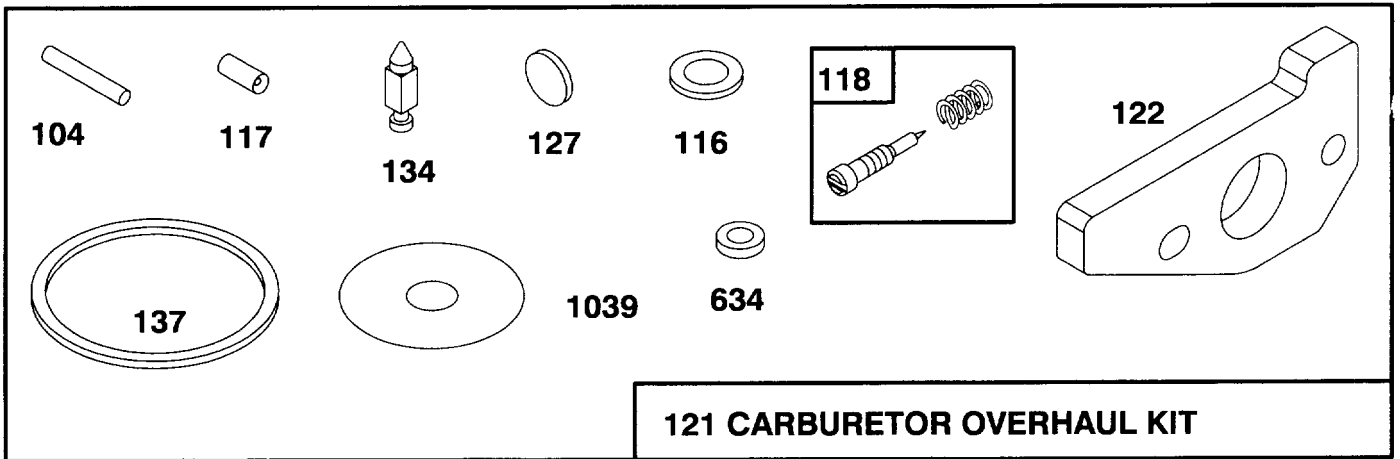


**ENGINE GTS-150**

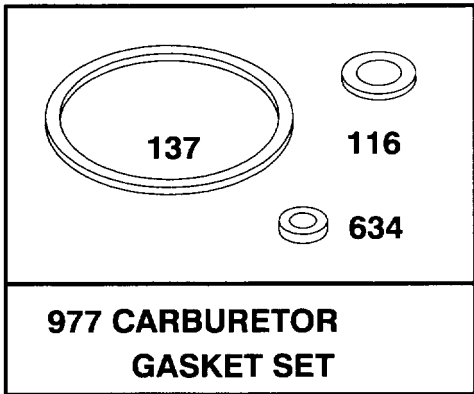
| Ref. No. | Part No. | Description  | No. Used |
|----------|----------|--|----------|
| 180      | 77-8580  | Tank Assy - Fuel   | 1        |
| 182      | 77-7170  | Bracket - Fuel Tank  | 1        |
| 187      | 77-8620  | Hose - Fuel<br>(Cut To Suit)   | 1        |
| 188      | 77-7450  | Screw - Hex. Head<br>(muffler guard, muffler<br>manifold to head<br>connecting bracket,<br>tk bracket) | 7        |
| 300      | 77-8640  | Muffler - Exhaust  | 1        |
| 346      | 77-8650  | Screw - Self Tapping<br>(muffler guard)  | 2        |

| Ref. No. | Part No. | Description                  | No. Used |
|----------|----------|------------------------------|----------|
| 346A     | 77-9050  | Screw - Arrester Mtg.        | 1        |
| 601      | 77-8630  | Clamp - CL Pipe              | 2        |
| 670      | 77-9030  | Spacer - Fuel Tank (Incl. 2) | 1        |
| 674      | 77-8600  | Screw - Tank Mtg.            | 2        |
| 832      | 77-9290  | Guard - Muffler              | 1        |
| *883     | 77-7760  | Gasket - Exhaust             | 1        |
| 994      | 77-9040  | Arrester - Spark             | 1        |
| *1041    | 77-8590  | Seal - Foam                  | 1        |

\*Included in Gasket Set



**121 CARBURETOR OVERHAUL KIT**



**977 CARBURETOR GASKET SET**

Assemblies include all parts shown in frames.

## ENGINE GTS 150

| Ref. No. | Part No. | Description               | No. Used |
|----------|----------|---------------------------|----------|
| 104      | 77-8180  | Pin - Float Hinge         | 1        |
| 116      | 77-8210  | Washer - Fuel Bowl        | 1        |
| 117      | 77-8060  | Jet - Needle Valve        | 1        |
| 118      | 77-8230  | Valve & Kit - Needle      | 1        |
| 121      | 77-8920  | Overhaul Kit - Carburetor | 1        |
| 122      | 77-7820  | Adapter Assy.             | 1        |
| 127      | 77-8100  | Plug - Welch              | 1        |

| Ref. No. | Part No. | Description                      | No. Used |
|----------|----------|----------------------------------|----------|
| 134      | 77-8110  | Valve - Float<br>(Includes Seat) | 1        |
| 137      | 77-8200  | Gasket - Fuel Bowl               | 1        |
| 358      | 77-8900  | Gasket Set                       | 1        |
| 634      | 77-8150  | Washer - Seal                    | 2        |
| 977      | 77-8930  | Gasket Set - Carburetor          | 1        |
| 1039     | 77-7250  | Limiters - Float                 | 1        |
|          | 77-9000  | High Altitude Jet                | 1        |

# TORO PART NUMBER INDEX

3316-184

| Part No. | Description              | Pg. Ref.<br>No. No. Qty. | Part No. | Description               | Pg. Ref.<br>No. No. Qty. |
|----------|--------------------------|--------------------------|----------|---------------------------|--------------------------|
| 14-9949  | Wheel & Tire Assembly    | 1 17 2                   | 65-4760  | Washer - Clutch           | 4 26 2                   |
| 14-9959  | Wheel Tire & Gear Assy.  | 4 31 2                   | 65-4770  | Shaft - Output            | 4 17 1                   |
| 16-1749  | Control Panel Assembly   | 6 9 1                    | 65-5042  | Pivot Arm Assembly        | 4 2 2                    |
| 16-1769  | Housing - 53cm           | 1 4 1                    | 65-5070  | Hub - Brake Plate         | 3 21 1                   |
| 17-9425  | Screw - Handle           | 7 11 1                   | 65-5130  | Hub - Idler Pulley        | 3 26 2                   |
| 17-9426  | Screw - Handle           | 7 25 1                   | 65-5190  | Bracket - Belt Guide      | 4 7 1                    |
| 19-4050  | Knob - Handle Release    | 6 10 2                   | 65-5200  | Cover - BBC               | 3 38 1                   |
| 25-7740  | Knob - Arm               | 4 3 2                    | 65-5210  | Screw - Thread Forming    | 1 7 2                    |
| 25-7740  | Knob - Arm               | 1 25 2                   | 65-5220  | Screw - Cap Socket Hd.    | 1 23 2                   |
| 27-6231  | Bolt - Wheel             | 1 19 2                   | 65-5220  | Screw - Socket Hd. Cap    | 4 36 2                   |
| 27-6231  | Bolt - Wheel             | 4 33 2                   | 65-5250  | Clip - Spring             | 4 43 1                   |
| 27-6250  | Bushing - Wheel          | 1 18 4                   | 65-5280  | Retainer - Spring         | 3 1 1                    |
| 27-6250  | Bushing - Wheel          | 4 32 4                   | 65-5300  | Flywheel - BBC            | 3 41 1                   |
| 29-9570  | Bushing - Yoke           | 4 38 1                   | 65-5320  | Rod - Brake Spring        | 3 17 1                   |
| 36-4780  | Washer - Thrust          | 4 44 1                   | 65-5330  | Screen - BBC              | 3 31 1                   |
| 36-4791  | Washer - Thrust          | 5 48 2                   | 65-5380  | Washer                    | 3 23 1                   |
| 38-7820  | Bearing - Ball           | 5 60 1                   | 65-5440  | Spring Arm Assembly       | 4 4 2                    |
| 40-1940  | Washer - Wheel Bolt      | 1 20 4                   | 65-5660  | Panel - Screen            | 1 2 1                    |
| 42-3190  | Screw - BBC              | 3 29 2                   | 65-5670  | Bolt - Shoulder           | 3 18 1                   |
| 42-6890  | Hub Assembly             | 3 39 1                   | 65-5690  | Bushing - Bellcrank       | 3 8 1                    |
| 46-5460  | Housing - Control (L.H.) | 7 10 1                   | 65-5700  | Crank                     | 3 3 1                    |
| 46-5510  | Spring - Torsion         | 7 7 1                    | 65-5720  | Bushing - BBC             | 3 13 1                   |
| 46-5520  | Lever - Traction         | 7 14 1                   | 65-5740  | Belt - BBC                | 3 20 1                   |
| 46-5530  | Hook - Control           | 7 6 1                    | 65-5780  | Brake Plate Assembly      | 3 22 1                   |
| 46-5540  | Lever - Cable            | 7 18 1                   | 66-0020  | Panel - Vertical          | 1 1 1                    |
| 46-5550  | Bushing - Sleeve         | 7 8 1                    | 66-0030  | Bracket - Cable Support   | 3 10 1                   |
| 46-5590  | Spacer                   | 7 13 1                   | 66-0090  | Lever - Brake             | 3 14 1                   |
| 46-5650  | Idler Pulley Assembly    | 3 27 1                   | 66-0160  | Housing - Control R.H.    | 7 2 1                    |
| 46-6431  | Screw - Handle           | 7 12 1                   | 66-0170  | Washer - Nylon            | 7 19 1                   |
| 46-7040  | Screw - Hex. Hd. Cap     | 3 12 1                   | 66-0180  | Rocker                    | 7 15 1                   |
| 46-7040  | Screw - Hex. Washer Hd.  | 7 1 3                    | 66-0190  | Spring - Detent           | 7 20 1                   |
| 48-2060  | Bearing - Needle         | 4 21 2                   | 66-0210  | V-Belt                    | 4 13 1                   |
| 49-2040  | Screw - Self Tapping     | 4 8 8                    | 66-0236  | Control - Throttle        | 6 4 1                    |
| 52-3480  | Dampner - Vibration      | 3 30 2                   | 66-0330  | Support - Spacer          | 7 24 1                   |
| 52-7410  | Spring - Leaf            | 7 4 1                    | 66-0350  | Bushing - Flange          | 3 15 1                   |
| 52-7430  | Control Bar Assembly     | 7 3 1                    | 66-0360  | Cap - End                 | 4 5 2                    |
| 54-9190  | Nut - Lock               | 3 34 2                   | 66-0540  | Arm - Spring Front        | 1 22 2                   |
| 55-3570  | Gas Cap Assembly         | 2 4 1                    | 66-0560  | Screw - Shoulder          | 1 16 2                   |
| 55-3760  | Gear - Pinion 15T        | 5 49 1                   | 66-0570  | Guide - Belt              | 2 7 1                    |
| 55-3770  | Gear - 49T (1st Gear)    | 5 58 1                   | 66-0580  | Arm - Pivot Front         | 1 27 2                   |
| 55-3780  | Gear - Pinion 20T        | 5 50 1                   | 66-0680  | Decal - French Regulation | 1 13 1                   |
| 55-3790  | Gear - 44T (2nd Gear)    | 5 57 1                   | 66-1790  | Decal - Danger            | 6 2 1                    |
| 55-3800  | Gear - Pinion 25T        | 5 51 1                   | 66-6040  | Key - Rocking (R.H.)      | 4 * 1                    |
| 55-3810  | Gear - 39T (3rd Gear)    | 5 56 1                   | 66-6050  | Key - Rocking (L.H.)      | 4 27 1                   |
| 57-6290  | Pin - Insert             | 7 5 1                    | 70-9760  | Bushing - Sleeve          | 4 19 2                   |
| 60-8710  | Case - Gear (Upper)      | 5 61 1                   | 71-3630  | Spring - Compression      | 3 2 1                    |
| 60-8730  | Cover - Gear Case        | 5 46 1                   | 71-3640  | Spring - Compression      | 3 16 1                   |
| 60-8750  | Bushing - Intrmdt. Shaft | 5 47 2                   | 71-3650  | Link - Control            | 3 6 1                    |
| 60-8770  | Bushing - Output Shaft   | 5 45 1                   | 71-3660  | Pin - BBC Spring          | 3 5 1                    |
| 60-8790  | Sleeve - Gear            | 5 55 1                   | 71-7900  | Cap - Hinge Bolt L.H.     | 1 10 1                   |
| 60-8800  | Shaft - Intermediate     | 5 52 1                   | 71-7910  | Cap - Hinge Bolt R.H.     | 1 6 1                    |
| 60-8810  | Retainer - Shift Fork    | 4 39 1                   | 71-8090  | Mount - Handle L.H.       | 6 12 1                   |
| 60-8840  | Pulley - Half            | 4 10 2                   | 71-8100  | Mount - Handle R.H.       | 6 11 1                   |
| 60-8850  | Bushing - Output Shaft   | 5 53 1                   | 71-9480  | Handle - Door             | 8 2 1                    |
| 60-8870  | Yoke - Shift             | 4 37 1                   | 71-8580  | Spacer - Door             | 1 12 2                   |
| 60-8890  | Pinion - Bevel           | 5 59 1                   | 71-9470  | Door - Bag                | 8 3 1                    |
| 62-3860  | Decal - Danger           | 1 5 1                    | 71-9640  | Ramp - Discharge          | 1 24 1                   |
| 62-3890  | Drum - Brake             | 3 40 1                   | 71-9650  | Access - Cover            | 1 14 1                   |
| 62-4280  | Spacer - Blade           | 3 36 1                   | 71-9680  | Bag - Grass 53cm          | 8 5 1                    |
| 62-6660  | Spacer                   | 4 9 1                    | 71-9690  | Handle                    | 6 5 1                    |
| 62-6673  | Gear Case Assy. Complete | 5 * 1                    | 71-9800  | Door - Discharge          | 1 9 1                    |
| 62-7560  | Pulley - Engine          | 3 42 1                   | 71-9840  | Spring - Door             | 1 11 2                   |
| 62-7700  | Blade - 21               | 3 35 1                   | 71-9872  | Decal - Deck 53cm         | 1 26 1                   |
| 65-2720  | Ring - Retaining         | 4 24 4                   | 71-9873  | Decal - Panel             | 6 7 1                    |
| 65-4710  | Ring - Friction          | 4 25 2                   | 71-9877  | Decal - Instruction       | 6 3 1                    |
| 65-4720  | Spring - Compression     | 4 29 2                   | 71-9920  | Cover - Top               | 1 15 1                   |
| 65-4730  | Washer - Thrust (Inner)  | 4 22 2                   | 71-9930  | Frame - Grass Bag         | 8 4 1                    |
| 65-4740  | Washer - Thrust (Keyed)  | 4 23 4                   | 72-8030  | Decal - Danger            | 6 *                      |
| 65-4750  | Pinion                   | 4 28 2                   | 74-1660  | Cover - Wheel             | 4 30 2                   |

\*Not Illustrated

# TORO PART NUMBER INDEX (Cont.)

| Part No. | Description               | Pg. No. | Ref. No. | Qty. | Part No. | Description             | Pg. No. | Ref. No. | Qty. |
|----------|---------------------------|---------|----------|------|----------|-------------------------|---------|----------|------|
| 74-1671  | Spacer - Wheel Cover      | 4       | 34       | 2    | 77-7730  | Head - Cylinder         | 11      | 5        | 1    |
| 76-0760  | Key - Shift               | 4       | 41       | 2    | 77-7740  | Gasket - Cylinder Head  | 11      | *7       | 1    |
| 76-0770  | Collar - Shift            | 4       | 42       | 1    | 77-7740  | Gasket - Cylinder Head  | 9       | 7        | 1    |
| 76-0780  | Sleeve - Shift Key        | 4       | 40       | 1    | 77-7760  | Gasket - Exhaust        | 11      | *883     | 1    |
| 76-0920  | Lever - Shift             | 4       | 16       | 1    | 77-7760  | Gasket - Exhaust        | 17      | *883     | 1    |
| 76-2713  | Control - Ground Speed    | 6       | 1        | 1    | 77-7760  | Gasket - Exhaust        | 9       | 883      | 1    |
| 76-2930  | Retainer - Cable          | 4       | 15       | 1    | 77-7770  | Guide - Push Rod        | 11      | 1034     | 1    |
| 77-0190  | Cable - Clutch            | 7       | 17       | 1    | 77-7780  | Stud - Rocker Arm       | 11      | 166      | 2    |
| 77-0210  | Cable - Traction          | 7       | 16       | 1    | 77-7790  | Arm - VLV Rocker        | 11      | 1029     | 2    |
| 77-7040  | Cover - Air Cover         | 13      | 968      | 1    | 77-7800  | Cap - Valve             | 11      | 238      | 2    |
| 77-7060  | Cover - Valve             | 11      | 1023     | 1    | 77-7810  | Spring - Valve          | 11      | 35       | 2    |
| 77-7140  | Bracket - Blower Housing. | 15      | 980      | 1    | 77-7820  | Adapter Assy.           | 11      | 122      | 1    |
| 77-7170  | Bracket - Fuel Tank       | 17      | 182      | 1    | 77-7820  | Adapter Assy.           | 13      | 122      | 1    |
| 77-7180  | Grommet                   | 15      | 1002     | 1    | 77-7820  | Adapter Assy.           | 18      | 122      | 1    |
| 77-7190  | Guard - Flywheel          | 15      | 37       | 1    | 77-7860  | Valve - Exhaust         | 11      | 33       | 1    |
| 77-7210  | Insert - Starter Grip     | 15      | 59       | 1    | 77-7870  | Retainer - Spring       | 11      | 40       | 2    |
| 77-7240  | Bowl - Fuel               | 13      | 136      | 1    | 77-7880  | Valve - Intake          | 11      | 34       | 1    |
| 77-7250  | Limitter - Float          | 13      | 1039     | 1    | 77-7890  | Seal Assy - Valve       | 9       | 868      | 1    |
| 77-7250  | Limitter - Float          | 18      | 1039     | 1    | 77-7890  | Seal Assy. - Valve      | 11      | *868     | 1    |
| 77-7260  | Dipstick - Oil            | 11      | 523      | 1    | 77-7900  | Gasket - Valve          | 11      | *868A    | 1    |
| 77-7270  | Seal - Intake Elbow       | 11      | *524     | 1    | 77-7900  | Gasket - Valve          | 9       | 868A     | 1    |
| 77-7270  | Seal - Intake Elbow       | 9       | 524      | 1    | 77-7910  | Nut - Hex Special       | 11      | 192      | 2    |
| 77-7290  | Tube - Oil Filler         | 11      | 525      | 1    | 77-7920  | Screw - Air Cleaner     | 13      | 969      | 1    |
| 77-7300  | Seal - O Ring             | 9       | 842      | 1    | 77-7930  | Screw - Air Cleaner     | 13      | 971      | 3    |
| 77-7300  | Seal - O Ring             | 11      | *842     | 1    | 77-7940  | Base Air Cleaner        | 13      | 966      | 1    |
| 77-7320  | Gasket - Rocker Cover     | 11      | *1022    | 1    | 77-7950  | Element - Filter        | 13      | 535      | 1    |
| 77-7320  | Gasket - Rocker Cover     | 9       | 1022     | 1    | 77-7960  | Gasket - Air Cleaner    | 13      | *163     | 1    |
| 77-7330  | Plug - Spark              | 11      | 337      | 1    | 77-7960  | Gasket - Air Cleaner    | 9       | 163      | 1    |
| 77-7340  | Elbow - Spark Plug        | 11      | 635      | 1    | 77-7970  | Screw - Hex Head        | 13      | 124      | 2    |
| 77-7350  | Tube - Breather           | 11      | 11       | 1    | 77-7980  | Link - Governor         | 13      | 201      | 1    |
| 77-7360  | Screw - Hex. Head         | 11      | 10       | 4    | 77-7990  | Spring - Governor       | 13      | 209      | 1    |
| 77-7370  | Lever - Governor          | 11      | 227      | 1    | 77-8000  | Bracket - Carburetor    | 13      | 620      | 1    |
| 77-7380  | Bolt - Governor Lever     | 11      | 562      | 1    | 77-8010  | Switch - Stop           | 13      | 621      | 1    |
| 77-7390  | Nut - Hex.                | 11      | 592      | 1    | 77-8020  | Screw Assy - Speed Adj. | 13      | 98A      | 1    |
| 77-7400  | Baffle - Cylinder         | 11      | 572      | 1    | 77-8030  | Tube - Breather         | 13      | 529      | 1    |
| 77-7410  | Gasket - Breather         | 11      | *9A      | 1    | 77-8040  | Tube - Vent             | 13      | 1011     | 1    |
| 77-7410  | Gasket - Breather         | 9       | 9A       | 1    | 77-8050  | Carburetor Assy         | 13      | 125      | 1    |
| 77-7420  | Screw - Sem               | 11      | 307      | 4    | 77-8060  | Jet - Needle Valve      | 13      | 117      | 1    |
| 77-7450  | Screw - Hex. Head         | 13      | 188      | 2    | 77-8060  | Jet - Needle Valve      | 18      | 117      | 1    |
| 77-7450  | Screw - Hex. Head         | 15      | 188      | 4    | 77-8070  | Valve - Choke           | 13      | 108      | 1    |
| 77-7450  | Screw - Hex. Head         | 17      | 188      | 7    | 77-8080  | Valve - Throttle        | 13      | 130      | 1    |
| 77-7450  | Screw - Sem               | 11      | 188      | 5    | 77-8090  | Screw - Round Head      | 13      | 95       | 1    |
| 77-7460  | Crank - Governor          | 11      | 616      | 1    | 77-8100  | Plug - Welch            | 13      | 127      | 1    |
| 77-7470  | Washer - Thrust           | 11      | 230      | 1    | 77-8100  | Plug - Welch            | 18      | 127      | 1    |
| 77-7480  | Fastener                  | 11      | 615      | 1    | 77-8110  | Valve - Float           | 13      | 134      | 1    |
| 77-7490  | Gear - Cam                | 11      | 46       | 1    | 77-8110  | Valve - Float           | 18      | 134      | 1    |
| 77-7500  | Gear - Governor           | 11      | 219      | 1    | 77-8120  | Adapter - Jet           | 13      | 147      | 1    |
| 77-7510  | Crankshaft                | 11      | 16       | 1    | 77-8130  | Shaft - Choke           | 13      | 141      | 1    |
| 77-7530  | Gear - Timing             | 11      | 741      | 1    | 77-8140  | Spring - Return         | 13      | 618      | 1    |
| 77-7550  | Gasket - Engine Base      | 11      | *12      | 1    | 77-8150  | Washer - Seal           | 13      | 634      | 2    |
| 77-7550  | Gasket - Engine Base      | 9       | 12       | 1    | 77-8150  | Washer - Seal           | 18      | 634      | 2    |
| 77-7560  | Base - Engine             | 11      | 18       | 1    | 77-8160  | Shaft - Throttle        | 13      | 131      | 1    |
| 77-7570  | Seal - Oil                | 11      | *20      | 1    | 77-8170  | Float - Carburetor      | 13      | 133      | 1    |
| 77-7570  | Seal - Oil                | 9       | 20       | 1    | 77-8180  | Pin - Float Hinge       | 13      | 104      | 1    |
| 77-7590  | Cylinder Assy.            | 11      | 1        | 1    | 77-8180  | Pin - Float Hinge       | 18      | 104      | 1    |
| 77-7600  | Dowel - Sleeve            | 11      | 718      | 2    | 77-8190  | Bowl Assy. - Carburetor | 13      | 975      | 1    |
| 77-7610  | Tappet - Valve            | 11      | 45       | 2    | 77-8200  | Gasket - Fuel Bowl      | 13      | 137      | 1    |
| 77-7620  | Rod - Push                | 11      | 1026     | 2    | 77-8200  | Gasket - Fuel Bowl      | 18      | 137      | 1    |
| 77-7630  | Screw - Cylinder Head     | 11      | 13       | 4    | 77-8210  | Washer - Fuel Bowl      | 13      | 116      | 1    |
| 77-7640  | Pump - Oil                | 11      | 1024     | 1    | 77-8210  | Washer - Fuel Bowl      | 18      | 116      | 1    |
| 77-7650  | Cover - Oil Pump          | 11      | 979      | 1    | 77-8220  | Screw - Hex Head        | 13      | 955      | 1    |
| 77-7660  | Seal - O Ring             | 9       | 116A     | 1    | 77-8230  | Valve & Kit - Needle    | 13      | 118      | 1    |
| 77-7660  | Seal - O Ring             | 11      | *116A    | 1    | 77-8230  | Valve & Kit - Needle    | 18      | 118      | 1    |
| 77-7670  | Rod - Connecting          | 11      | 29       | 1    | 77-8240  | Screw - Idle Adj.       | 13      | 98       | 1    |
| 77-7680  | Screw - Connecting Rod    | 11      | 32       | 2    | 77-8270  | Housing - Blower        | 15      | 304      | 1    |
| 77-7690  | Piston Assy. (Std.)       | 11      | 25       | 1    | 77-8280  | Clamp - Casing          | 15      | 265      | 1    |
| 77-7700  | Ring Set (Std.)           | 11      | 26       | 1    | 77-8290  | Screw - Hex Head        | 15      | 267      | 1    |
| 77-7710  | Lock - Piston Pin         | 11      | 27       | 2    | 77-8300  | Screw - Hex. Head       | 15      | 65       | 4    |
| 77-7720  | Pin - Piston (Std)        | 11      | 28       | 1    | 77-8310  | Screw - Hex. Head       | 11      | 305      | 2    |

\*Not Illustrated

# TORO PART NUMBER INDEX (Cont.)

3316-184

| Part No. | Description               | Pg. Ref.<br>No. No. | Qty. | Part No.  | Description              | Pg. Ref.<br>No. No. | Qty. |
|----------|---------------------------|---------------------|------|-----------|--------------------------|---------------------|------|
| 77-8310  | Screw - Hex. Head         | 15 305              | 4    | 77-9270   | Pulley - Rewind Starter  | 15 56               | 1    |
| 77-8330  | Flywheel - Magneto        | 15 23               | 1    | 77-9280   | Short Block              | 11 *                | 1    |
| 77-8340  | Key - Flywheel            | 15 24               | 1    | 77-9290   | Guard - Muffler          | 17 832              | 1    |
| 77-8350  | Cup - Starter             | 15 455              | 1    | 80-2770   | Cup - Anti Scalp         | 3 32                | 1    |
| 77-8360  | Nut - Hex                 | 15 332              | 1    | 80-4800   | Decal - Recoil           | 2 3                 | 1    |
| 77-8400  | Wire - Ground             | 15 356              | 1    | 86-7990   | Screw - Clamp            | 2 9                 | 1    |
| 77-8420  | Armature - Magneto        | 15 333              | 1    | 92-2289   | Plate - TORO Logo        | 2 2                 | 1    |
| 77-8430  | Terminal - Spark Plug     | 15 851              | 1    | 2210-249  | Clamp - Casing           | 2 8                 | 1    |
| 77-8440  | Screw - Sem               | 15 334              | 2    | 237-153   | Seal - ORing             | 4 18                | 2    |
| 77-8450  | Starter Assy - Rewind     | 15 608              | 1    | 253-151   | Seal - V-Ring            | 3 28                | 1    |
| 77-8460  | Housing - Rewind Starter  | 15 55               | 1    | 302-56    | Fitting - Grease         | 4 20                | 2    |
| 77-8470  | Retainer - Spring         | 15 456              | 1    | 321-13    | Screw - Hex. Hd. Cap     | 3 25                | 2    |
| 77-8480  | Spool - Starter Rope      | 15 58               | 1    | 322-21    | Screw - Hex. Hd. Cap     | 3 4                 | 1    |
| 77-8490  | Screw - Rewind Starter    | 15 461              | 1    | 322-29    | Screw - Hex Hd. Cap      | 1 8                 | 2    |
| 77-8500  | Spring - Retainer         | 15 515              | 1    | 3256-23   | Washer - Flat            | 3 7                 | 2    |
| 77-8510  | Grip - Starter Rope       | 15 60               | 1    | 3256-24   | Washer - Flat            | 4 12                | 1    |
| 77-8530  | Pawl & Spring Ratchet     | 15 459              | 2    | 3257-17   | Key - Woodruff           | 3 43                | 1    |
| 77-8550  | Dowel - Sleeve            | 15 718A             | 1    | 3272-5    | Pin - Cotter             | 4 14                | 1    |
| 77-8570  | Cover - Pulley            | 15 1016             | 1    | 3290-378  | Tie - Cable              | 6 6                 | 5    |
| 77-8580  | Tank Assy - Fuel          | 17 180              | 1    | 3296-5    | Nut - Lock               | 4 11                | 1    |
| 77-8590  | Seal - Foam               | 17*1041             | 1    | 3296-6    | Nut - Lock               | 1 21                | 4    |
| 77-8590  | Seal - Foam               | 9 1041              | 1    | 3296-6    | Nut - Lock               | 4 35                | 2    |
| 77-8600  | Screw - Tank Mtg.         | 17 674              | 2    | 3296-8    | Nut - Lock               | 7 21                | 1    |
| 77-8620  | Hose - Fuel               | 17 187              | 1    | 3296-33   | Nut - Lock               | 3 37                | 1    |
| 77-8630  | Clamp - CL Pipe           | 17 601              | 2    | 3296-42   | Nut - Lock               | 3 19                | 2    |
| 77-8640  | Muffler - Exhaust         | 17 300              | 1    | 3296-58   | Nut - Lock               | 7 23                | 2    |
| 77-8650  | Screw - Self Tapping      | 17 346              | 2    | 32104-76  | Screw - Self Tapping     | 6 8                 | 4    |
| 77-8900  | Gasket Set                | 18 358              | 1    | 32121-9   | Pin - Coil               | 7 9                 | 1    |
| 77-8920  | Overhaul Kit - Carburetor | 18 121              | 1    | 32121-120 | Pin - Coil               | 5 54                | 1    |
| 77-8930  | Gasket Set - Carburetor   | 18 977              | 1    | 32128-44  | Nut - Lock               | 3 9                 | 1    |
| 77-8980  | Engine - OHV              | 2 1                 | 1    | 32144-70  | Screw - Cap Hex. Hd.     | 1 3                 | 6    |
| 77-9000  | High Altitude Jet         | 18                  | 1    | 32144-70  | Screw - Hex. Hd. Cap     | 2 5                 | 2    |
| 77-9030  | Spacer - Fuel Tank        | 17 670              | 1    | 32144-70  | Screw - Hex. Hd. Cap     | 3 11                | 5    |
| 77-9040  | Arrester - Spark          | 17 994              | 1    | 32144-70  | Screw - Hex. Washer Hd.  | 4 1                 | 3    |
| 77-9050  | Screw - Arrester Mtg.     | 17 346A             | 1    | 32144-102 | Screw - Hex. Hd. Cap     | 2 6                 | 3    |
| 77-9060  | Seal - Oil                | 11 *3               | 1    | 32144-105 | Screw - Hex. Hd. Cap     | 3 24                | 1    |
| 77-9060  | Seal - Oil                | 9 3                 | 1    | 32144-111 | Screw - Index Hex Washer | 8 1                 | 5    |
| 77-9070  | Screw - Engine Base       | 11 22               | 7    |           |                          |                     |      |
| 77-9090  | Screw - Set               | 11 192A             | 2    |           |                          |                     |      |
| 77-9240  | Plug - Oil Drain          | 11 15               | 1    |           |                          |                     |      |
| 77-9250  | Gasket - Valve Cover      | 9 9                 | 1    |           |                          |                     |      |
| 77-9250  | Gasket - Valve Cover      | 11 *9               | 1    |           |                          |                     |      |
| 77-9260  | Breather - Valve          | 11 8                | 1    |           |                          |                     |      |

## OPTIONAL EQUIPMENT

- Leaf Shredder Kit ..... Model No. 59180
- Dethatcher Kit ..... Model No. 59131
- Spark Arrestor Kit ..... Part No. 77-9040

\*Not Illustrated





