



22in Recycler[®] Lawn Mower

Model No. 20074 - 270000001 and up.

Parts Catalog

Ordering Replacement Parts

To order replacement parts, please supply the part number, the quantity, and the description of each part desired.

Understanding Reference Numbers

Each identified part in an illustration has a reference number. The reference number for a part also appears in the parts list, along with other information about the part.

This catalog uses two special reference number formats, one to indicate parts in a service assembly and another to indicate the quantity of a given part in an illustration.

Service Assembly Reference Numbers

Parts in service assemblies have reference numbers in the form a:b. The a represents the reference number of the entire service assembly and the b represents a sequential number unique to each part within the service assembly.

For example, a wheel assembly might be identified by reference number 6, the tire by 6:1, the valve by 6:2, and the wheel by 6:3. When you order the assembly identified by reference number 6, you receive all parts identified by reference numbers 6:1, 6:2, and 6:3. However, you may also order any part individually. Reference numbers of this type appear in illustrations and in part lists.

Reference Numbers Indicating Quantity

In an illustration, if a reference number indicates more than one part, the reference number has the form nX y. The n represents the quantity of the part, the X is the multiplication symbol, and the y represents the reference number.

For example, in an illustration, the reference number 2X 37 means that two of the parts identified by reference number 37 are indicated.

Contents

Description	Page	Description	Page
Deck, Side Chute and Rear Door Assembly 3	Carburetor Assembly No. 640350 Tecumseh LV195EA-362090D 13
Housing Assembly No. 112-8850 4	Engine Assembly No. 1 Tecumseh LV195EA-362090D 14
Front Axle Assembly 5	Engine Assembly No. 2 Tecumseh LV195EA-362090D 16
Rear Axle Assembly 6	Recoil Starter Assembly No. 590702 Tecumseh LV195EA-362090D 18
Rear Axle and Transmission Assembly 7	Electric Starter Assembly No. 37753 Tecumseh LV195EA-362090D 19
Transmission Assembly No. 106-3956 8	Attachments and Accessories List 20
Engine and Blade Assembly 9		
Handle Assembly 10		
Electrical Assembly 11		
Rear Bag Assembly 12		

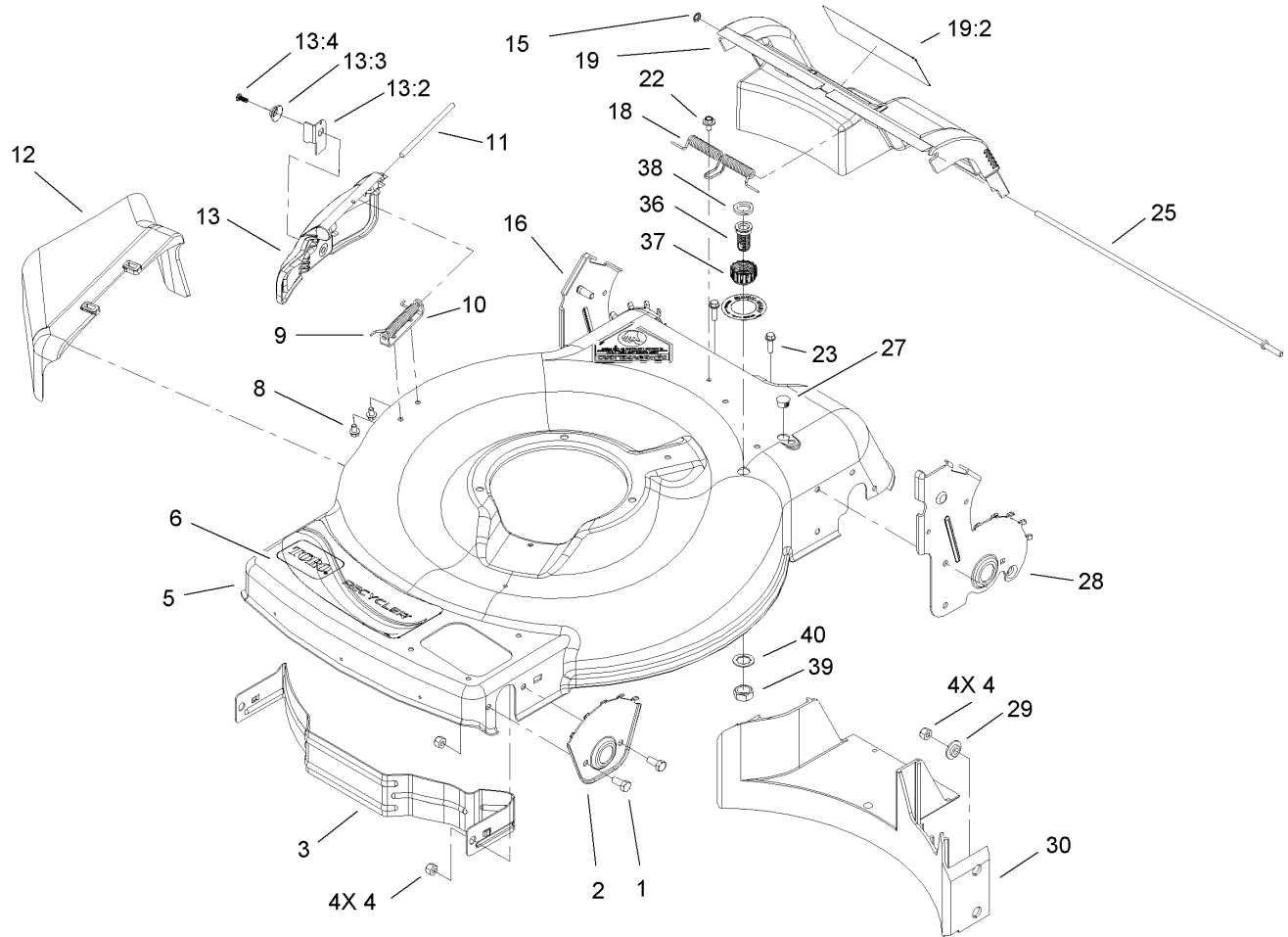
Part Description Abbreviations

Part descriptions in this catalog may include the following abbreviations.

AR. as required	HYD. hydraulic
ASM. assembly	LH. left hand
BBC. blade brake clutch	NI. nylon insert
CARR. carriage	NPTF. national pipe thread fine
DEG. degrees	PFH. phillips flat head
EXT. external	PPH. phillips pan head
FH. flat head	PPHTF. phillips pan head thread forming
GA. gauge	PRH. phillips round head
HD. heavy-duty	PTH. phillips truss head
HF. hex flange	PTO. power-take-off
HH. hex head	RH. right hand
HHF. hex head flange	ROPS. roll-over protection system
HHFTF. hex head flange thread forming	SFH. slotted fillister head
HJ. hex jam	SHH. slotted hex head
HLH. hex lag head	SHWH. slotted hex washer head
HOC. height-of-cut	SPH. slotted pan head
HSBH. hex socket button head	SQH. square head
HSFH. hex socket flat head	SRH. slotted round head
HSH. hex socket head	STD. standard
HWH. hex washer head	TAP. self tapping
HWHTF. hex washer head thread forming	TTH. torx truss head

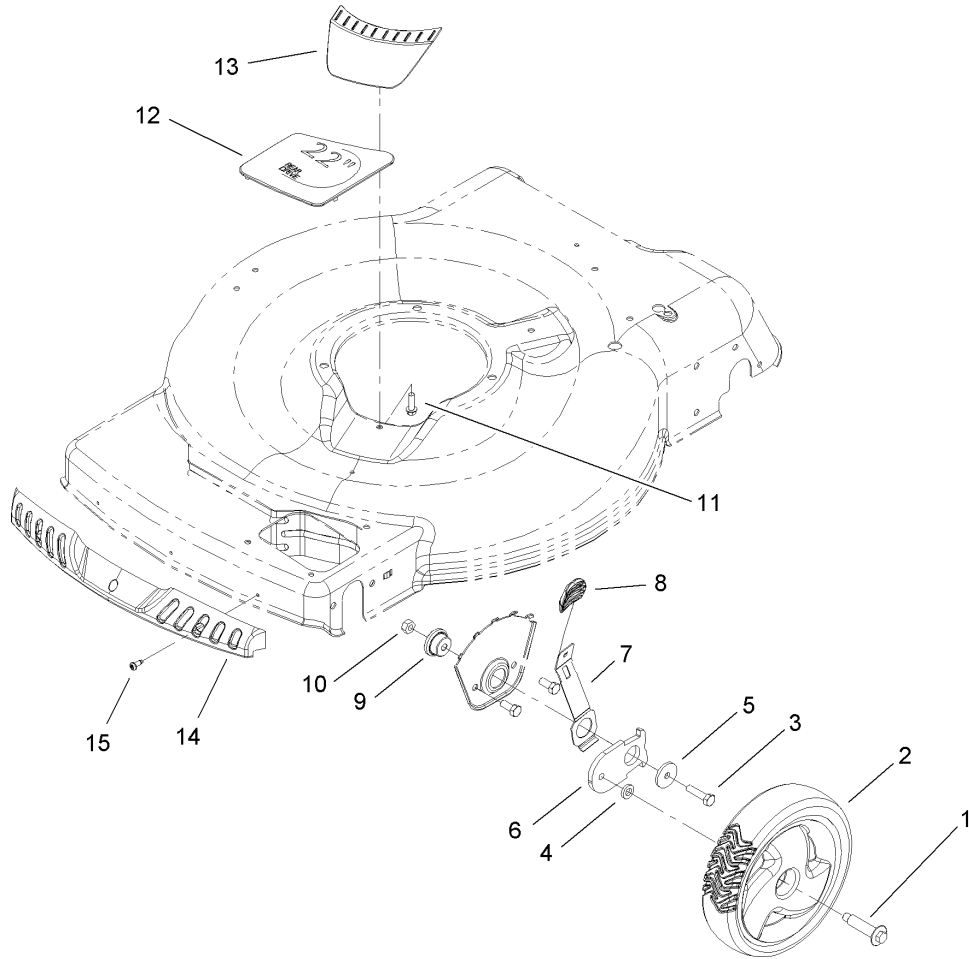
Footnotes

- | | |
|--|----------------------------------|
| ❶ Not illustrated | ❷ Not serviced separately |
| ❸ Obtain from your local Tecumseh dealer | ❹ Included in Repair Kit 632760B |



Deck, Side Chute and Rear Door Assembly

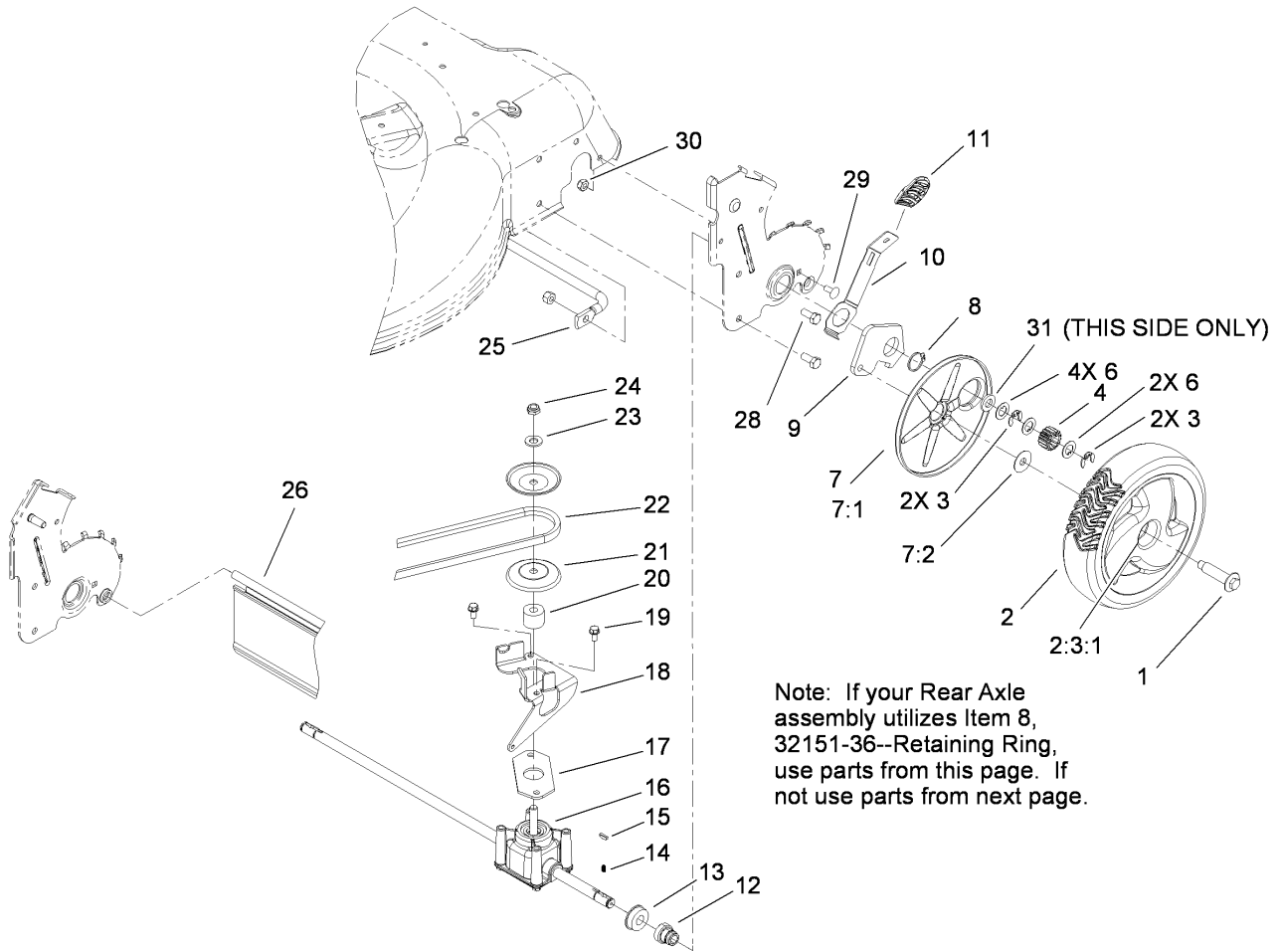
Ref	Part No.	Qty.	Description	Ref	Part No.	Qty.	Description
1	322-3	4	Screw-HH	28	112-6443	1	8 Inch LH HOC Plate ASM
2	105-1808-03	2	Plate-HOC, Front	29	105-3006	4	Washer-Stepped
3	104-8694-03	1	Baffle-Front	30	105-1834	1	Baffle-Rear
4	3296-29	8	Nut-Lock, NI	36	112-6400	1	Port-Washout
5	112-8850	1	Housing ASM	37	112-6401	1	Coupling-Hose, Washout Port
6	114-0321	1	Decal	38	112-6438	1	Washer-Seal, Washout Port
8	99-8445	2	Screw-HWH	39	3218-6	1	Nut-Jam
9	99-5293	1	Spring-Torsion	40	3254-5	1	Washer-Tooth
10	112-6416	1	Bracket-Cover				
11	99-5291	1	Rod-Cover				
12	105-3028	1	Chute-Discharge, Side				
13	106-8376	1	Discharge Door ASM				
13:2	107-0795	1	Latch-Door				
13:3	107-7456	1	Cap-Door				
13:4	107-7461	1	Screw-Plastite				
15	32112-6	1	Nut-Push				
16	112-6441	1	8 Inch RH HOC Plate ASM				
18	105-3032	1	Spring-Door, Rear				
19	112-8864	1	Rear Door ASM				
19:2	105-1295	1	Decal-Warning				
22	46-6810	1	Screw And Washer ASM				
23	46-8091	2	Screw-HWH				
25	105-1827	1	Rod-Pivot, Rear Door				
27	104-9369	1	Plug-Dome				



Front Axle Assembly

Ref	Part No.	Qty.	Description
1	614650	2	Bolt-Shoulder
2	105-1814	2	Wheel ASM
3	322-6	2	Screw-HH
4	110-7466	2	Washer-Bolt, Wheel
5	105-3048	2	Washer-Flat
6	105-1807	2	Arm-Pivot, Front
7	105-1809	2	Arm-Spring
8	105-3042	2	Knob-Lever, HOC
9	105-1818	2	Bushing-Mount, HOC
10	3296-29	2	Nut-Lock, NI
11	46-8091	1	Screw-HWH
12	105-3004	1	Cover-Cutout
13	105-3005	1	Cover-Belt Opening
14	104-9359	1	Bumper-Mower
15	105-6849	3	Screw-Thread Forming

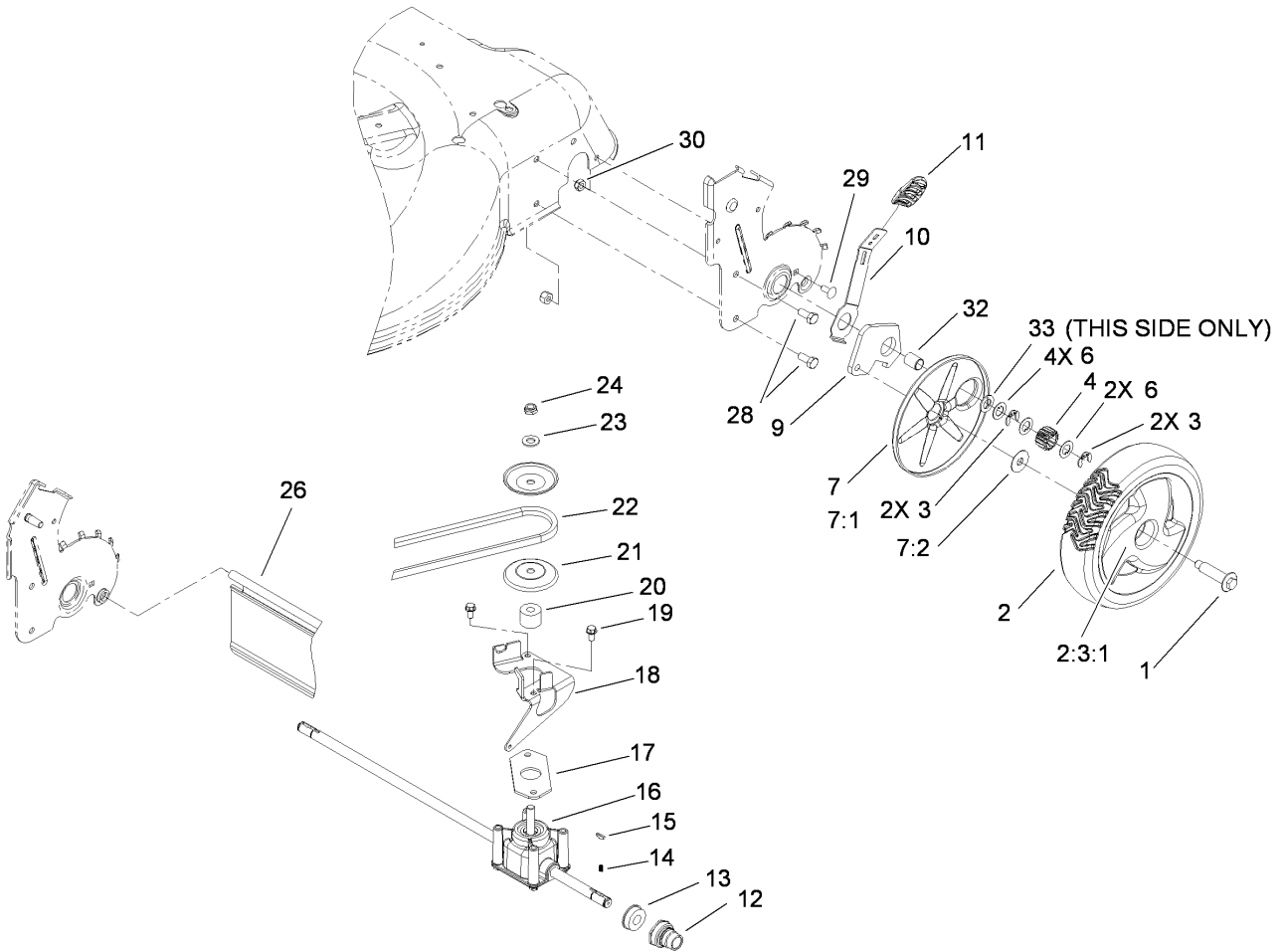
--	--	--	--



Rear Axle Assembly

Ref	Part No.	Qty.	Description
1	614650	2	Bolt-Shoulder
2	105-3036	2	Wheel Gear ASM
1 2:3		1	Wheel ASM
2:3:1	27-6250	2	Bushing
3	65-2720	4	Ring-Clip, Locking
4	105-3040	2	Gear-Pinion, 15T
6	105-6840	6	Washer-Thrust
7	110-1792	2	Wheel Cover ASM
7:1		1	Cover-Wheel
7:2	614426	1	Washer-Stepped
8	32151-36	2	Ring-Retaining
9	105-1819	2	Arm-Pivot, Rear
10	105-1809	2	Arm-Spring
11	105-3042	2	Knob-Lever, HOC
12	104-8698	2	Retainer-Bearing, HOC
13	104-8699	2	Bearing-Ball
14	39-9650	2	Spring-Compression
15	612066	2	Key
16	106-3956	1	Transmission ASM
17	108-9756	1	Gasket-Gearbox
18	106-6809-03	1	Bracket-Pivot
19	32144-4	2	Screw-HWH
20	92-5791	1	Spacer
21	100-1176	2	Pulley-Half

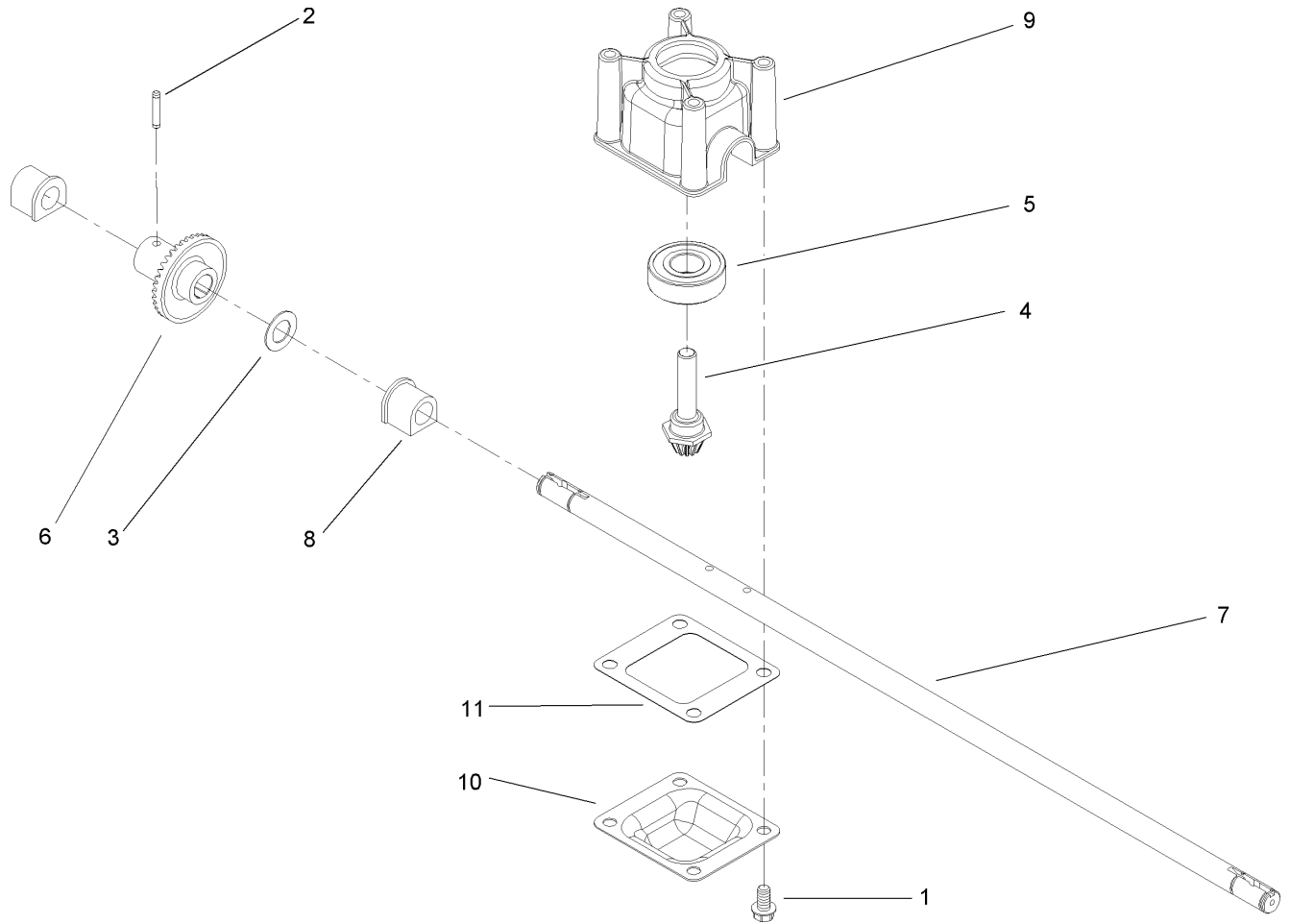
Ref	Part No.	Qty.	Description
22	91-2258	1	V-Belt
23	3256-24	1	Washer-Flat
24	3296-5	1	Nut-Lock
25	105-1811	1	Brace-Plate, HOC
26	114-1585	1	Shield-Trailing
28	322-6	4	Screw-HH
29	3229-11	2	Screw-CARR
30	3296-16	2	Nut-Lock, NI
31	36-4780	1	Washer-Plain



Rear Axle and Transmission Assembly

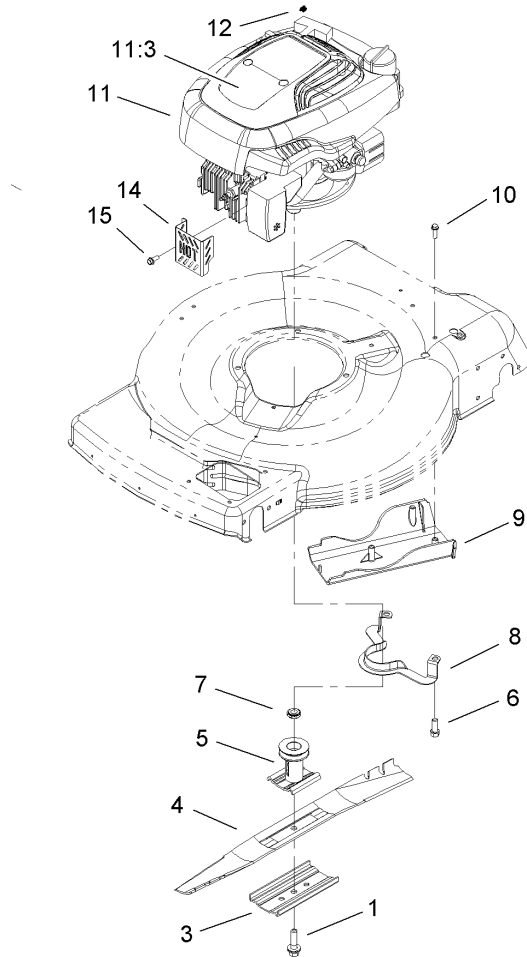
Ref	Part No.	Qty.	Description
1	614650	2	Bolt-Shoulder
2	105-3036	2	Wheel Gear ASM
① ② 2:3		1	Wheel ASM
2:3:1	27-6250	2	Bushing
3	65-2720	4	Ring-Clip, Locking
4	105-3040	2	Gear-Pinion, 15T
6	105-6840	6	Washer-Thrust
7	110-1792	2	Wheel Cover ASM
② 7:1		1	Cover-Wheel
7:2	614426	1	Washer-Stepped
9	108-9781	2	Arm-Pivot, Rear
10	108-9780	2	Arm-Spring
11	105-3042	2	Knob-Lever, HOC
12	108-9779	2	Retainer-Bushing, HOC
13	104-8699	2	Bearing-Ball
14	39-9650	2	Spring-Compression
15	612066	2	Key
16	106-3956	1	Transmission ASM
17	108-9756	1	Gasket-Gearbox
18	106-6809-03	1	Bracket-Pivot
19	32144-4	2	Screw-HWH
20	92-5791	1	Spacer
21	100-1176	2	Pulley-Half
22	91-2258	1	V-Belt

Ref	Part No.	Qty.	Description
23	3256-24	1	Washer-Flat
24	3296-5	1	Nut-Lock
26	114-1585	1	Shield-Trailing
28	322-6	4	Screw-HH
29	3229-11	2	Screw-CARR
30	3296-16	2	Nut-Lock, NI
32	108-9782	2	Bushing-Sleeve
33	110-7191	1	Washer-Thrust



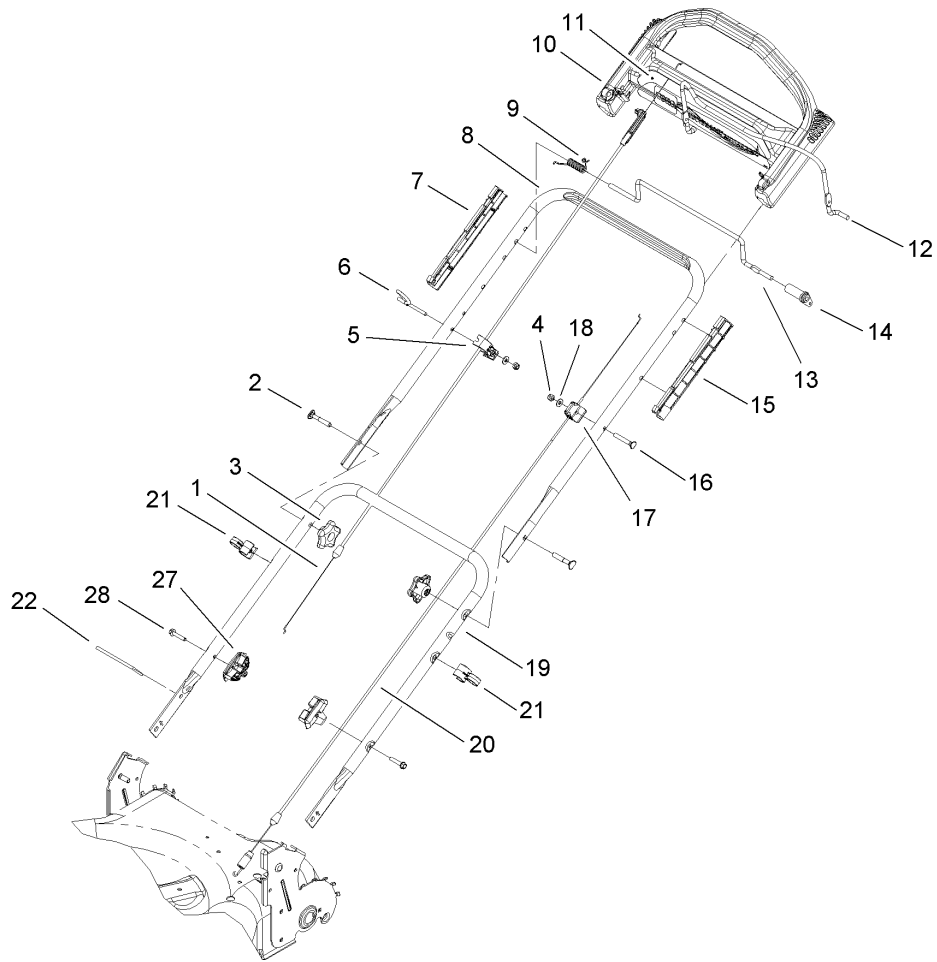
Transmission Assembly No. 106-3956

Ref	Part No.	Qty.	Description
1	32144-4	4	Screw-HWH
2	105-6817	1	Pin-Groove
3	36-4780	1	Washer-Plain
4	92-5790	1	Pinion
5	100-1048	1	Bearing-Ball
6	104-8671	1	Gear-Bevel, 37T
7	106-3957	1	Shaft-Output
8	104-8673	2	Bushing-Shaft, Output
9	104-8674	1	Gearcase-Upper
10	104-8675-03	1	Cover-Gearcase
11	105-6839	1	Gasket-Gearcase



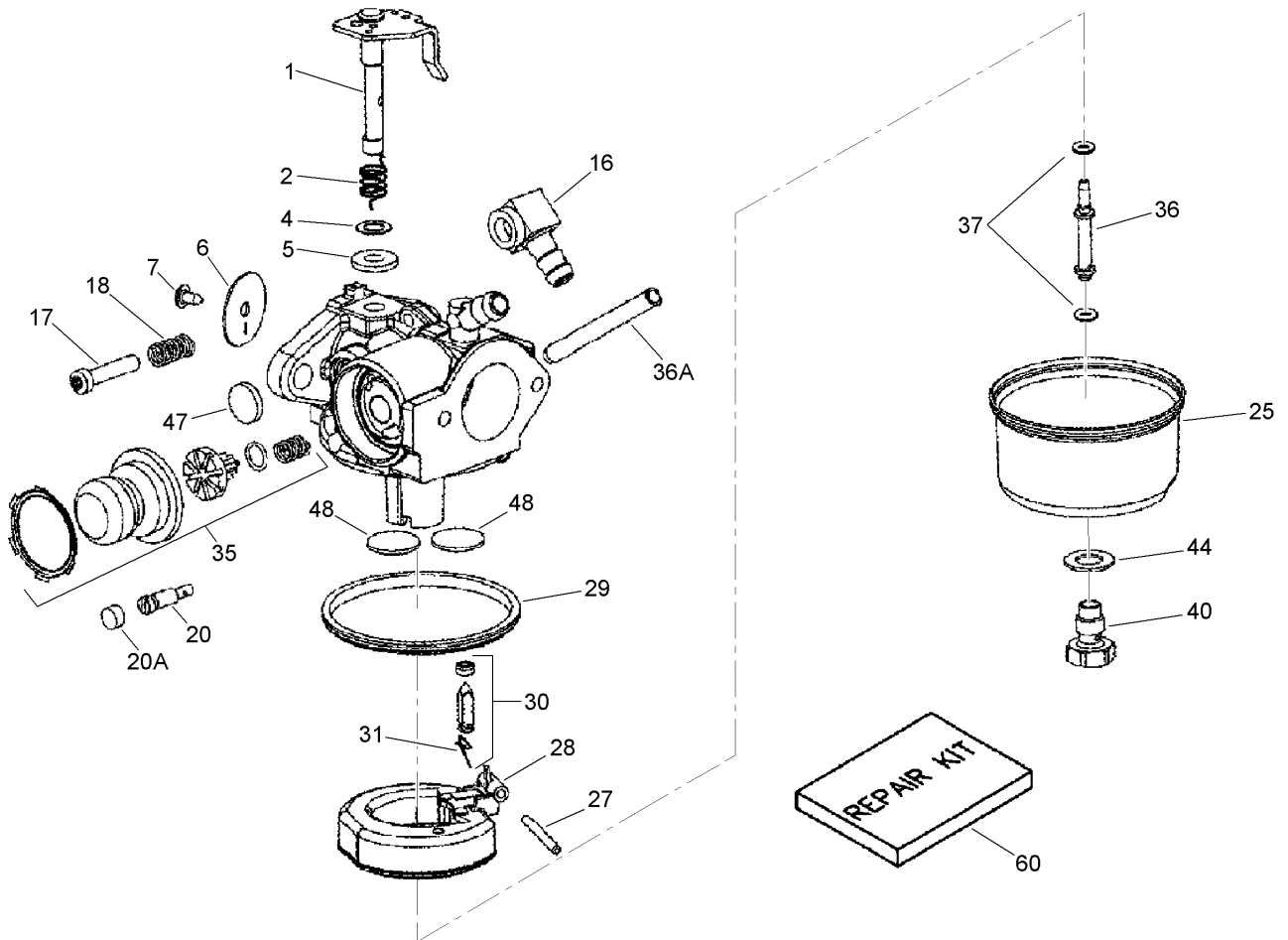
Engine and Blade Assembly

Ref	Part No.	Qty.	Description
1	105-8579	1	Bolt-Blade
3	108-3766-03	1	Support-Blade
4	108-9764-03	1	Blade-22 Inch
5	106-3987	1	Blade Driver ASM
6	95-1726	3	Screw-Taptite
7	106-3999	1	Spacer-Driver
8	105-3030-03	1	Guide-Belt
9	105-1835	1	Cover-Belt, Rear
10	46-8091	3	Screw-HWH
11		1	Engine-Tecumseh, Lv195Ea-362090D
11:3	112-8874	1	Decal-Shroud, Engine
12	92-1701	1	Stop-Rope
14	106-8346-03	1	Guard-Muffler
15	32144-85	1	Screw-HWH



Handle Assembly

Ref	Part No.	Qty.	Description
1	104-8676	1	Cable-Brake
2	112-8876	2	Screw-Handle
3	108-8162	2	Knob-Locking
4	3296-73	2	Nut-Lock, NI
5	106-8331	1	Anchor-Cable
6	106-8330	1	Guide-Rope
7	105-6841	1	Guide-RH
8	104-8680-05	1	Handle-Upper
9	104-8690	1	Spring-Torsion
10	104-8678	1	Handle-Control
11	114-0338	1	Decal
12	104-8679-03	1	Bail-Brake
13	99-1588	1	Bar-Control, Traction
14	99-1589	1	Lever-Traction
15	105-6842	1	Guide-LH
16	321-50	1	Screw-HH
17	92-7729	1	Anchor-Cable, Upper
18	3256-1	2	Washer-Flat
19	112-6440-05	1	Handle-Lower
20	105-1844	1	Cable-Traction
21	106-6805	2	Guide-Cable
22	614249	1	Strap-Tie
27	108-9788	2	Anchor-Bag
28	32144-110	2	Screw-HWH



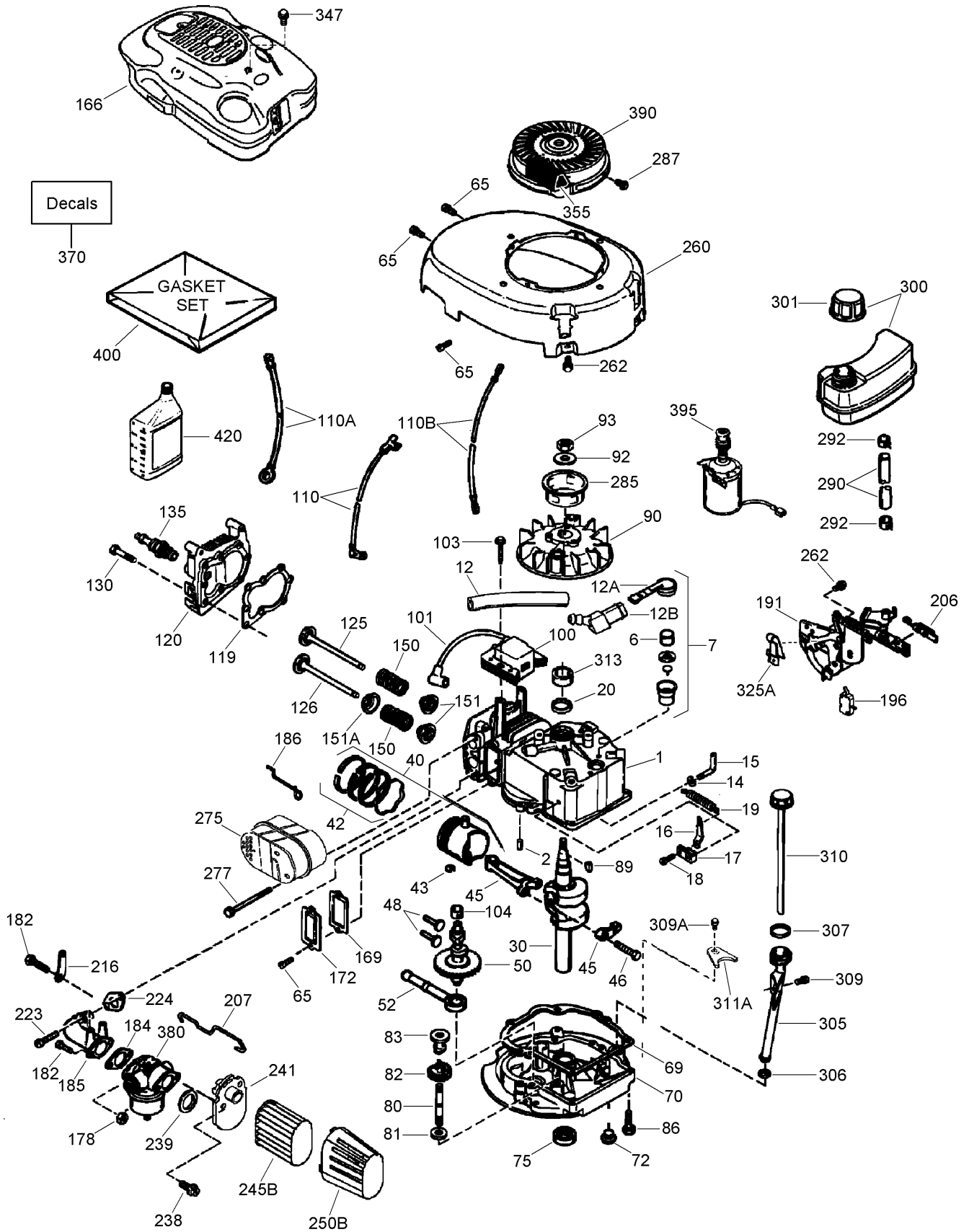
Carburetor Assembly No. 640350 Tecumseh LV195EA-362090D

Ref	Part No.	Qty.	Description
③0	640350	1	Carburetor ASM
③1	631615	1	Throttle Shaft And Lever ASM
③2	631767	1	Spring-Return, Throttle
③④4	631184	1	Washer-Seal, Dust
③④5	631183	1	Seal-Dust
③6	640070	1	Shutter-Throttle
③④7	650506	1	Screw-Shutter
③16	631807	1	Fitting-Fuel
③17	651025	1	Screw-Throttle Crack And Idle Speed
③18	630766	1	Spring-Tension
③20	640016	1	Screw-Restrictor, Idle
③20A	640200	1	Cap-Screw, Restrictor Idle
③25	631867	1	Bowl-Float (No Drain)
③④27	631024	1	Shaft-Float
③28	632802	1	Float (Plastic)
③④29	631028	1	O Ring-Bowl, Float
③④30	631021A	1	Inlet Needle, Seat And Clip ASM (Includes 31)
③31	631022	1	Clip-Spring
③35	640351	1	Primer Bulb And Valve Repair Kit
③36	640080	1	Tube-Nozzle, Main
③36A	632766	1	Tube-Carburetor
③④37	632547	2	O-Ring

Ref	Part No.	Qty.	Description
③40	640030	1	Nut-Bowl, High Speed
③④44	27110A	1	Washer-Nut, Bowl
③④47	630748	1	Plug-Welch, Idle Mixture Well
③④48	631027	2	Plug-Welch, Atmospheric Vent
③60	632760B	1	Carburetor Repair Kit

Engine Assembly No. 1

Tecumseh LV195EA-362090D



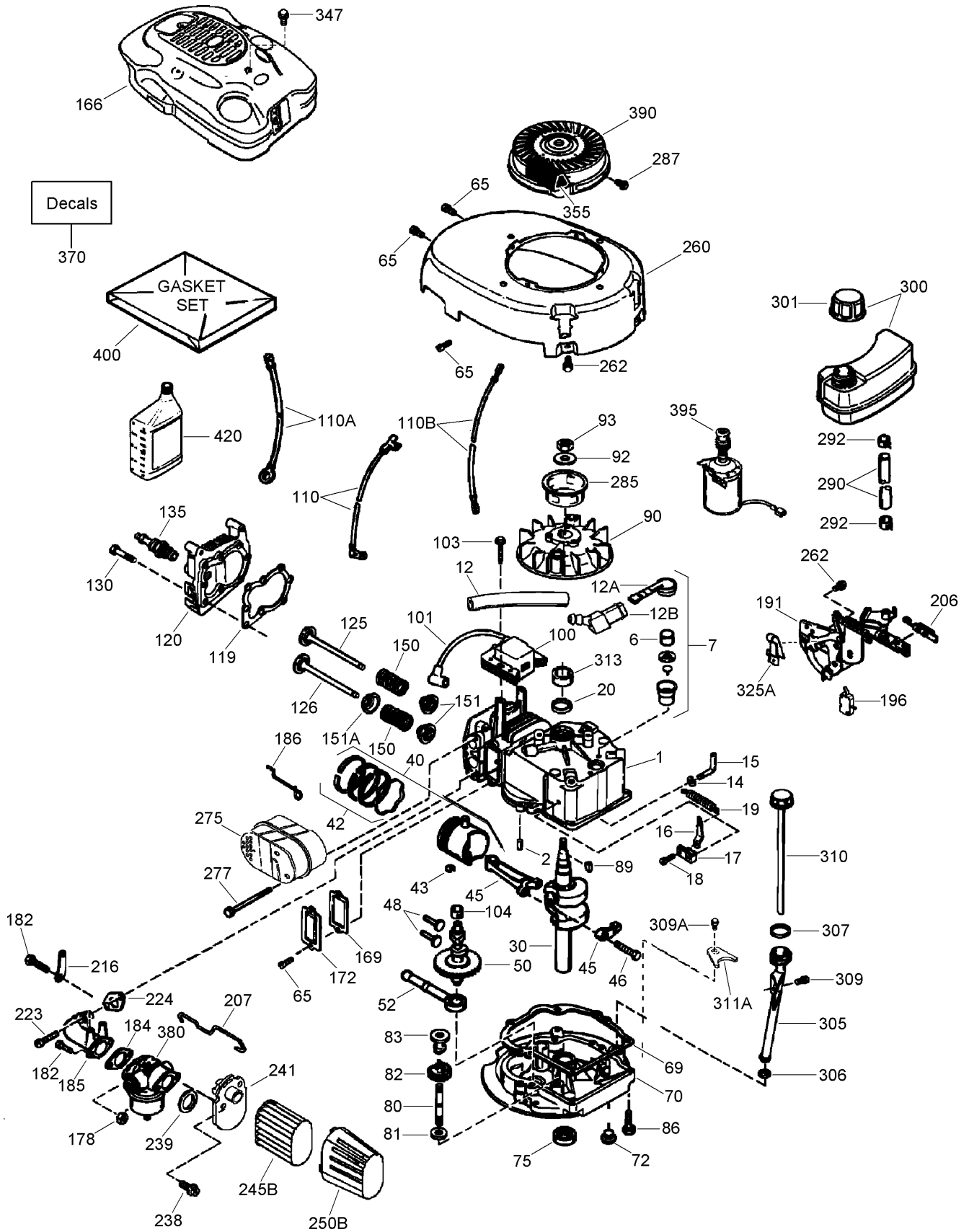
Engine Assembly No. 1

Tecumseh LV195EA-362090D

Ref	Part No.	Qty.	Description	Ref	Part No.	Qty.	Description
①1	37465	1	Cylinder ASM (Includes 2, 20)	①125	37288	1	Valve-Exhaust (STD) (Includes 151)
①2	26727	2	Pin-Dowel	①126	37289	1	Valve-Intake (STD) (Includes 151)
①6	33734	1	Element-Breather	①130	6021A	8	Screw (5/16-18X1-1/2)
①7	36557	1	Breather ASM (Includes 6, 12A)	①135	35395	1	Spark Plug-Resistor (R J19 L M)
①12	37944	1	Tube-Breather				
①12A	36558	1	Breather Cover And Tube ASM				
①12B	36694	1	Elbow-Tube, Breather				
①14	28277	1	Washer-Flat				
①15	30589	1	Governor Rod ASM (Includes 14)				
①16	34839A	1	Lever-Governor				
①17	31335	1	Clamp-Lever, Governor				
①18	651018	1	Screw (T-15, 8-32 X 19/64)				
①19	36281	1	Spring-Extension				
①20	32600	1	Seal-Oil				
①30	37692	1	Crankshaft				
①40	40045	1	Piston, Pin And Ring Set (.010 Os) (Includes 42)				
①40	40044	1	Piston, Pin And Ring Set (STD) (Includes 42)				
①42	40007	1	Ring Set (.010 O S)				
①42	40006	1	Ring Set (STD)				
①43	20381	1	Ring-Retaining, Piston Pin				
①45	36777	1	Connecting Rod ASM (Includes 46)				
①46	32610A	2	Bolt-Rod, Connecting				
①48	27241	2	Lifter-Valve				
①50	37460	1	Camshaft (Exhaust M C R) (Includes 104)				
①52	29914	1	Oil Pump ASM				
①65	30200	4	Screw (10-24 X 9/16)				
①69	37609	1	Gasket-Flange, Mounting				
①70	37608A	1	Mounting Flange ASM (Includes 72-83, 306, 309A, 311A)				
①72	37614	1	Plug-Drain, Oil (Flush Mount)				
①75	27897	1	Seal-Oil				
①80	30574A	1	Shaft-Governor				
①81	30590A	1	Washer-Flat				
①82	30591	1	Governor Gear ASM (Includes 81)				
①83	30588A	1	Spool-Governor				
①86	650488	6	Screw (1/4-20 X 1-1/4)				
①89	611298	1	Key-Flywheel				
①90	37999	1	Flywheel (Plastic Ring-Gear)				
①92	650815	1	Washer-Belleville				
①93	650816	1	Nut-Flywheel				
①100	34443C	1	Ignition-State, Solid				
①101	611289	1	Cover-Spark Plug				
①103	651007	2	Screw (T-15, 10-24 X 15/16)				
①104	37480	1	Bushing-Cam				
①110	37047	1	Wire-Ground				
①110A	36953	1	Wire ASM				
①110B	36954	1	Wire ASM				
①119	37796	1	Gasket-Head, Cylinder				
①120	37714	1	Head-Cylinder				

Engine Assembly No. 2

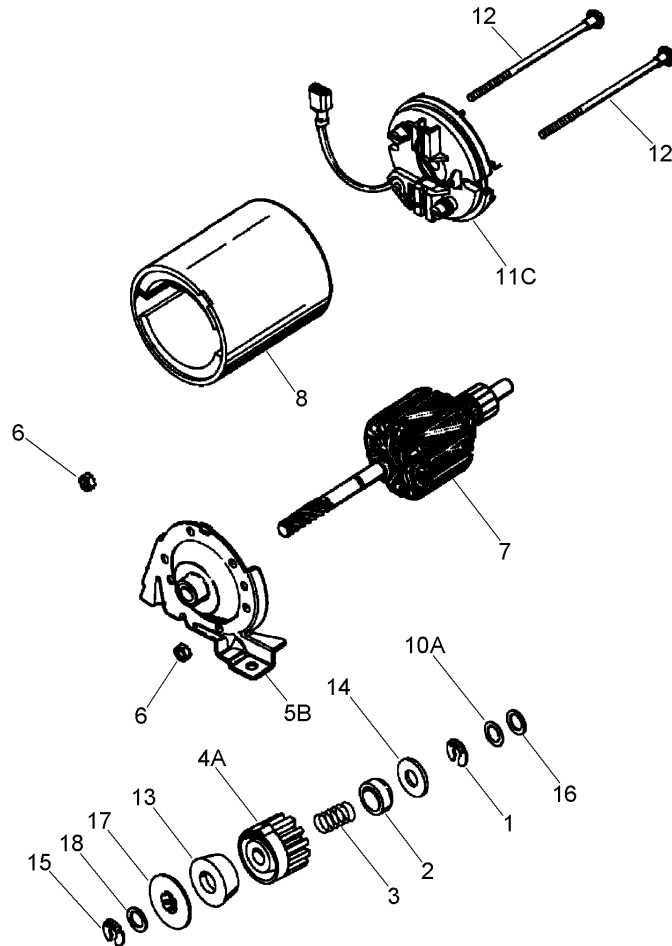
Tecumseh LV195EA-362090D



Engine Assembly No. 2

Tecumseh LV195EA-362090D

Ref	Part No.	Qty.	Description	Ref	Part No.	Qty.	Description
③150	31672	2	Spring-Valve	③400	37613A	1	Gasket Set
③151	31673	2	Cap-Valve, Spring	③420	730225A	1	Oil-Engine (4-Cycle Sae 30)
③151A	40017	1	Seal-Valve, Intake	①③999	730277	1	Summer Maintenance Kit (Includes Sae 30 Oil)
③166	38019	1	Shroud-Engine	①③0	806174A	1	Engine ASM-Replacement
③169	36783	1	Gasket-Cover, Valve	①③0	750876	1	Shortblock-Replacement
③172	36784	1	Cover-Valve				
③178	29752	2	Nut And Lock Washer (1/4-28)				
③182	6201	2	Screw (1/4-28 X 7/8)				
③184	26756	1	Gasket				
③185	37466	1	Pipe-Intake				
③186	32653	1	Link-Governor				
③191	36559A	1	Bracket-Brake				
③196	35035A	1	Switch-Restart, Power				
③206	610973	1	Terminal				
③207	34336A	1	Link-Throttle				
③216	33086	1	Lever-Adjusting, R P M				
③223	650451	2	Screw (1/4-20 X 1)				
③224	36786	1	Gasket-Pipe, Intake				
③238	650932	2	Screw (10-32 X 49/64)				
③239	34338	1	Gasket-Cleaner, Air				
③241	36919	1	Collar-Cleaner, Air				
③245B	36905	1	Filter-Air Cleaner (Paper)				
③250B	37122	1	Cover-Cleaner, Air				
③260	37693A	1	Housing-Blower				
③262	650831	4	Screw (1/4-20 X 1/2)				
③275	37498	1	Muffler				
③277	650988	2	Screw (1/4-20 X 2-9/32)				
③285	38000	1	Cup-Starter				
③287	650926	2	Screw (8-32 X 21/64)				
③290	37962	1	Line-Fuel, Low Permeation (8.62)				
③292	26460	1	Clamp-Line, Fuel				
③292	26460	1	Clamp-Line, Fuel				
③300	37947	1	Fuel Tank ASM (Includes 292, 301)				
③301	37844	1	Cap-Fuel (Black) (1-1/2 I D)				
③305	35647A	1	Tube-Fill, Oil				
③306	37610	1	O-Ring				
③307	35499	1	O-Ring				
③309	650562	1	Screw (10-32 X 1/2)				
③309A	650783	1	Screw (10-24 X 3/4)				
③310	35648	1	Dipstick				
③311A	37611	1	Bracket-Holddown				
③313	34080	1	Spacer				
③325A	35249	1	Clip-Actuator, Brake Switch				
③347	650898A	4	Screw (10-32 X 27/32)				
③355	590701	1	Handle-Starter (STD)				
③370	35977	1	Decal-Warning				
③370	37695	1	Decal-Primer				
③380	640350	1	Carburetor ASM (Includes 184)				
③390	590702	1	Starter-Recoil				
③395	37753	1	12 Volt Electric Starter Motor ASM				



Electric Starter Assembly No. 37753 Tecumseh LV195EA-362090D

Ref	Part No.	Qty.	Description
00	37753	1	12 Volt Electric Starter Motor ASM
01	34955	1	Ring-Retaining
02	34950	1	Retainer-Spring
03	34954	1	Spring
04A	37788	1	Gear
05B	34943	1	Drive End Cap ASM
06	33450	2	Nut-Lock
07	34944	1	Armature
08	34945	1	Housing ASM
010A	590500	1	Washer-Thrust
011C	35714	1	Commutator End Cap ASM (Includes Brushes)
012	34947	2	Bolt (10-32 X 3-3/16)
013	34946	1	Driver-Pinion
014	34951	1	Washer-Cup
015	34952	1	Ring-Retaining
016	34948	1	Washer
017	34953	1	Nut-Drive
018	590608	1	Washer

Attachments and Accessories

For 20074 - 22in Recycler Lawn Mower

Product Name	Model/Part
Traction Assist Handle Kit	108-8120
Tuneup Kit	20235
Replacement Bag	59303
Bagger Kit	59304
22 Inch Blade Kit	59534

NOTES

NOTES

NOTES

