



22in Recycler[®] Lawn Mower

Model No. 20076 - 270000001 and up.

Parts Catalog

Ordering Replacement Parts

To order replacement parts, please supply the part number, the quantity, and the description of each part desired.

Understanding Reference Numbers

Each identified part in an illustration has a reference number. The reference number for a part also appears in the parts list, along with other information about the part.

This catalog uses two special reference number formats, one to indicate parts in a service assembly and another to indicate the quantity of a given part in an illustration.

Service Assembly Reference Numbers

Parts in service assemblies have reference numbers in the form a:b. The a represents the reference number of the entire service assembly and the b represents a sequential number unique to each part within the service assembly.

For example, a wheel assembly might be identified by reference number 6, the tire by 6:1, the valve by 6:2, and the wheel by 6:3. When you order the assembly identified by reference number 6, you receive all parts identified by reference numbers 6:1, 6:2, and 6:3. However, you may also order any part individually. Reference numbers of this type appear in illustrations and in part lists.

Reference Numbers Indicating Quantity

In an illustration, if a reference number indicates more than one part, the reference number has the form nX y. The n represents the quantity of the part, the X is the multiplication symbol, and the y represents the reference number.

For example, in an illustration, the reference number 2X 37 means that two of the parts identified by reference number 37 are indicated.

Contents

Description	Page	Description	Page
Deck, Side Chute and Rear Door Assembly 3	Engine Assembly No. 1 Tecumseh LV195XA-362086E 12
Front Axle Assembly 4	Engine Assembly No. 2 Tecumseh LV195XA-362086E 14
Rear Axle Assembly 5	Carburetor Assembly No. 640350 Tecumseh LV195XA-362086E 16
Rear Axle and Transmission Assembly 6	Rewind Starter Assembly No. 590739 Tecumseh LV195XA-362086E 17
Transmission Assembly No. 106-3956 7	Electric Starter Assembly No. 35707 Tecumseh LV195XA-362086E 18
Engine Assembly 8	Attachments and Accessories List 19
Handle Assembly 9		
Electric Start Assembly 10		
Rear Bag Assembly 11		

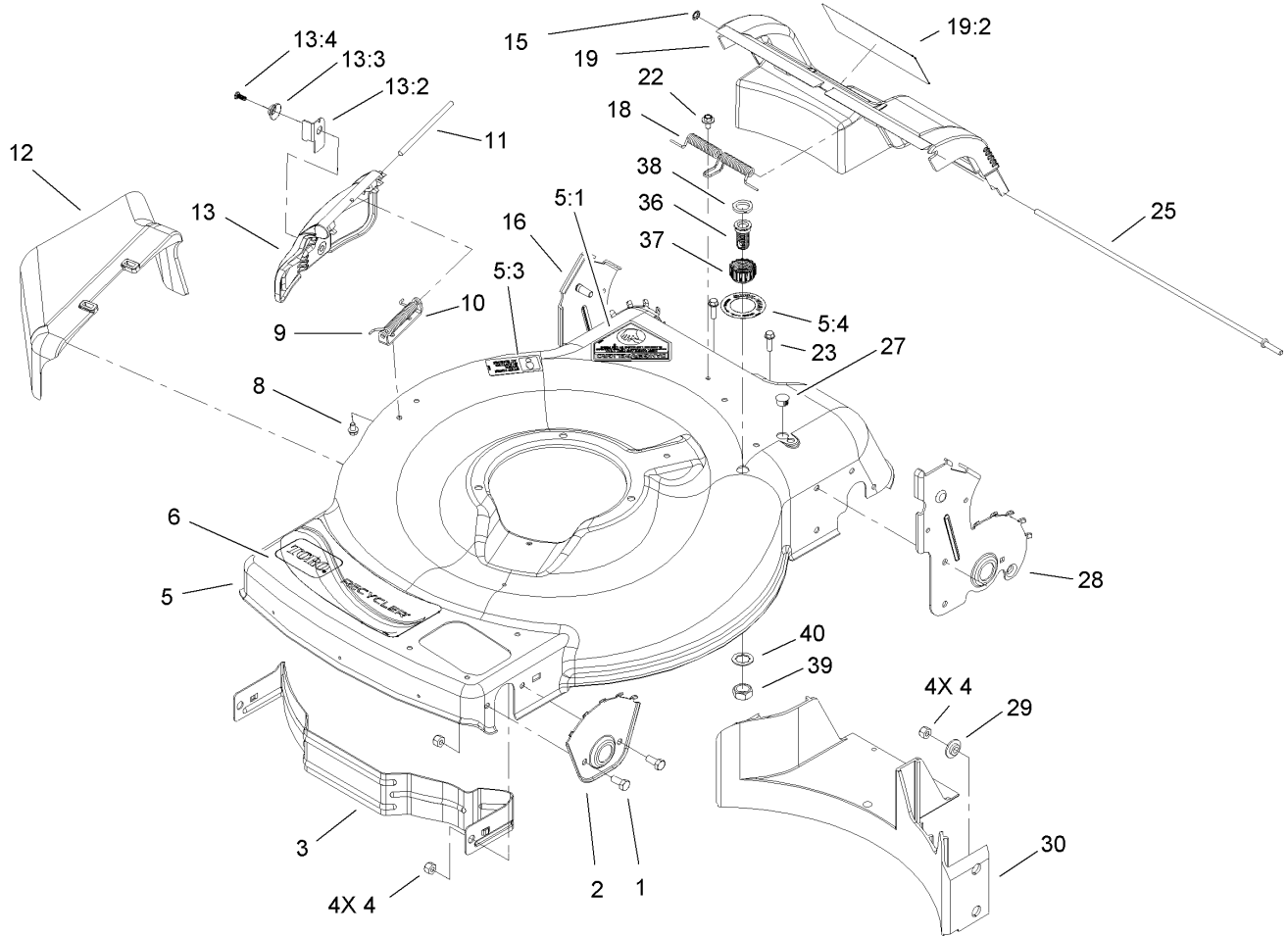
Part Description Abbreviations

Part descriptions in this catalog may include the following abbreviations.

AR. as required	HYD. hydraulic
ASM. assembly	LH. left hand
BBC. blade brake clutch	NI. nylon insert
CARR. carriage	NPTF. national pipe thread fine
DEG. degrees	PFH. phillips flat head
EXT. external	PPH. phillips pan head
FH. flat head	PPHTF. phillips pan head thread forming
GA. gauge	PRH. phillips round head
HD. heavy-duty	PTH. phillips truss head
HF. hex flange	PTO. power-take-off
HH. hex head	RH. right hand
HHF. hex head flange	ROPS. roll-over protection system
HHFTF. hex head flange thread forming	SFH. slotted fillister head
HJ. hex jam	SHH. slotted hex head
HLH. hex lag head	SHWH. slotted hex washer head
HOC. height-of-cut	SPH. slotted pan head
HSBH. hex socket button head	SQH. square head
HSFH. hex socket flat head	SRH. slotted round head
HSH. hex socket head	STD. standard
HWH. hex washer head	TAP. self tapping
HWHTF. hex washer head thread forming	TTH. torx truss head

Footnotes

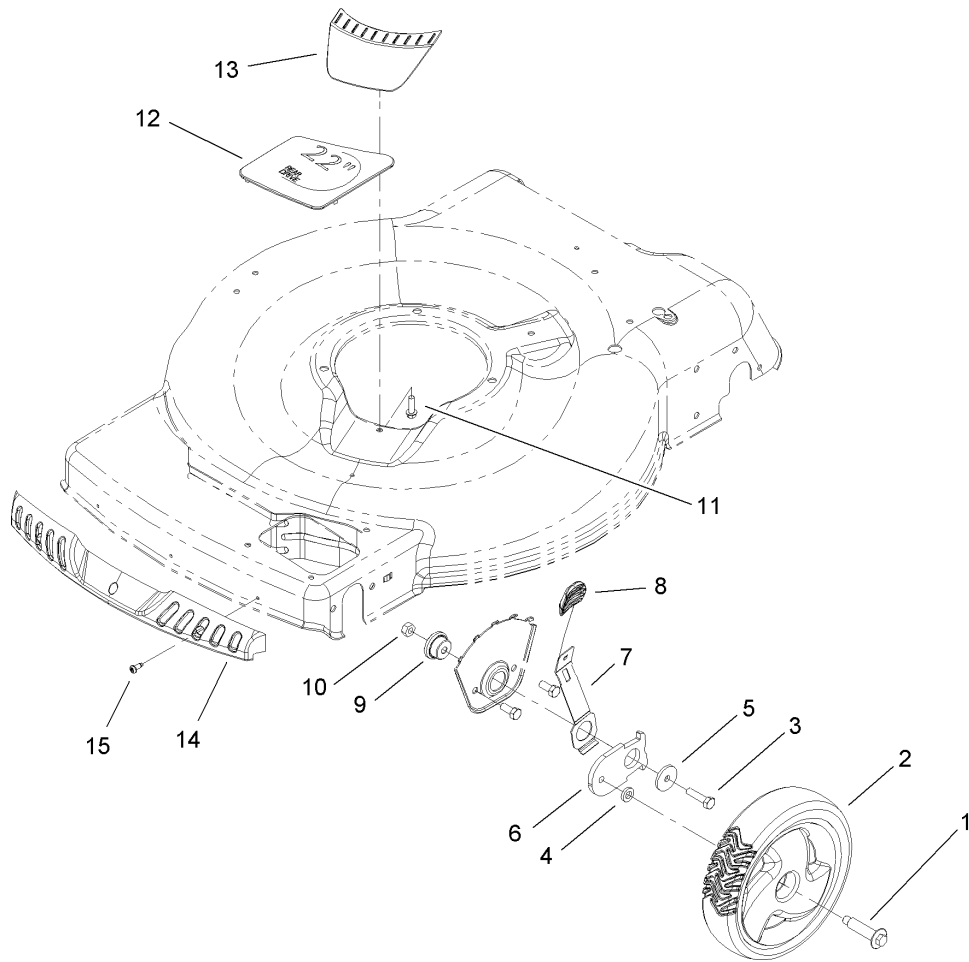
- | | |
|--|----------------------------------|
| ❶ Not illustrated | ❷ Not serviced separately |
| ❸ Obtain from your local Tecumseh dealer | ❹ Included in Repair Kit 632760B |



Deck, Side Chute and Rear Door Assembly

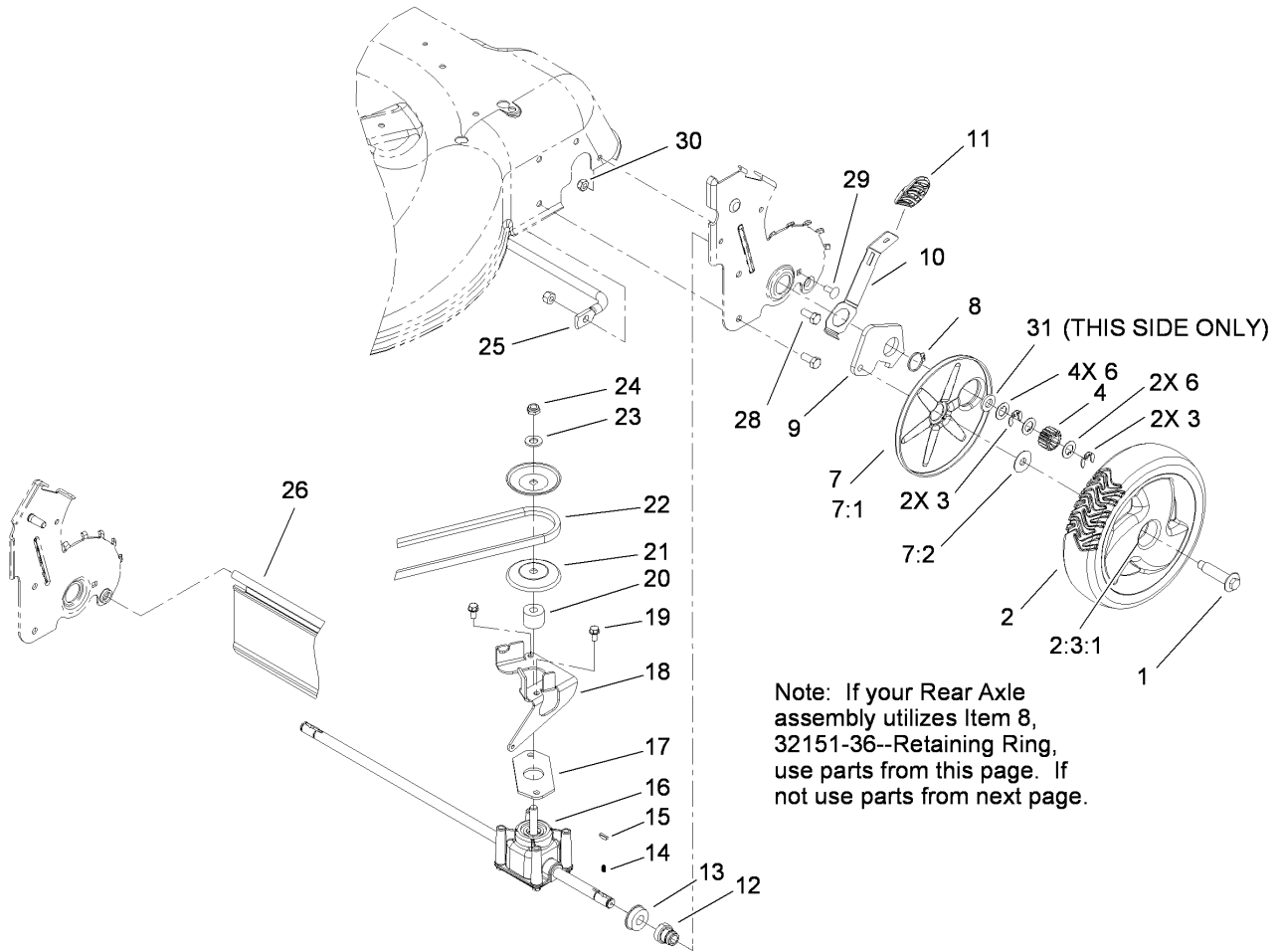
Ref	Part No.	Qty.	Description
1	322-3	4	Screw-HH
2	105-1808-03	2	Plate-HOC, Front
3	104-8694-03	1	Baffle-Front
4	3296-29	8	Nut-Lock, NI
5	112-8854	1	BBC Housing ASM
5:1	94-8072	1	Decal-Danger
5:3	108-8117	1	Decal
5:4	112-8867	1	Decal
6	114-0321	1	Decal
8	99-8445	2	Screw-HWH
9	99-5293	1	Spring-Torsion
10	112-6416	1	Bracket-Cover
11	99-5291	1	Rod-Cover
12	105-3028	1	Chute-Discharge, Side
13	106-8376	1	Discharge Door ASM
13:2	107-0795	1	Latch-Door
13:3	107-7456	1	Cap-Door
13:4	107-7461	1	Screw-Plastite
15	32112-6	1	Nut-Push
16	112-6441	1	8 Inch RH HOC Plate ASM
18	105-3032	1	Spring-Door, Rear
19	112-8864	1	Rear Door ASM
19:2	105-1295	1	Decal-Warning
22	46-6810	1	Screw And Washer ASM

Ref	Part No.	Qty.	Description
23	46-8091	2	Screw-HWH
25	105-1827	1	Rod-Pivot, Rear Door
27	104-9369	1	Plug-Dome
28	112-6443	1	8 Inch LH HOC Plate ASM
29	105-3006	4	Washer-Stepped
30	105-1834	1	Baffle-Rear
36	112-6400	1	Port-Washout
37	112-6401	1	Coupling-Hose, Washout Port
38	112-6438	1	Washer-Seal, Washout Port
39	3218-6	1	Nut-Jam
40	3254-5	1	Washer-Tooth



Front Axle Assembly

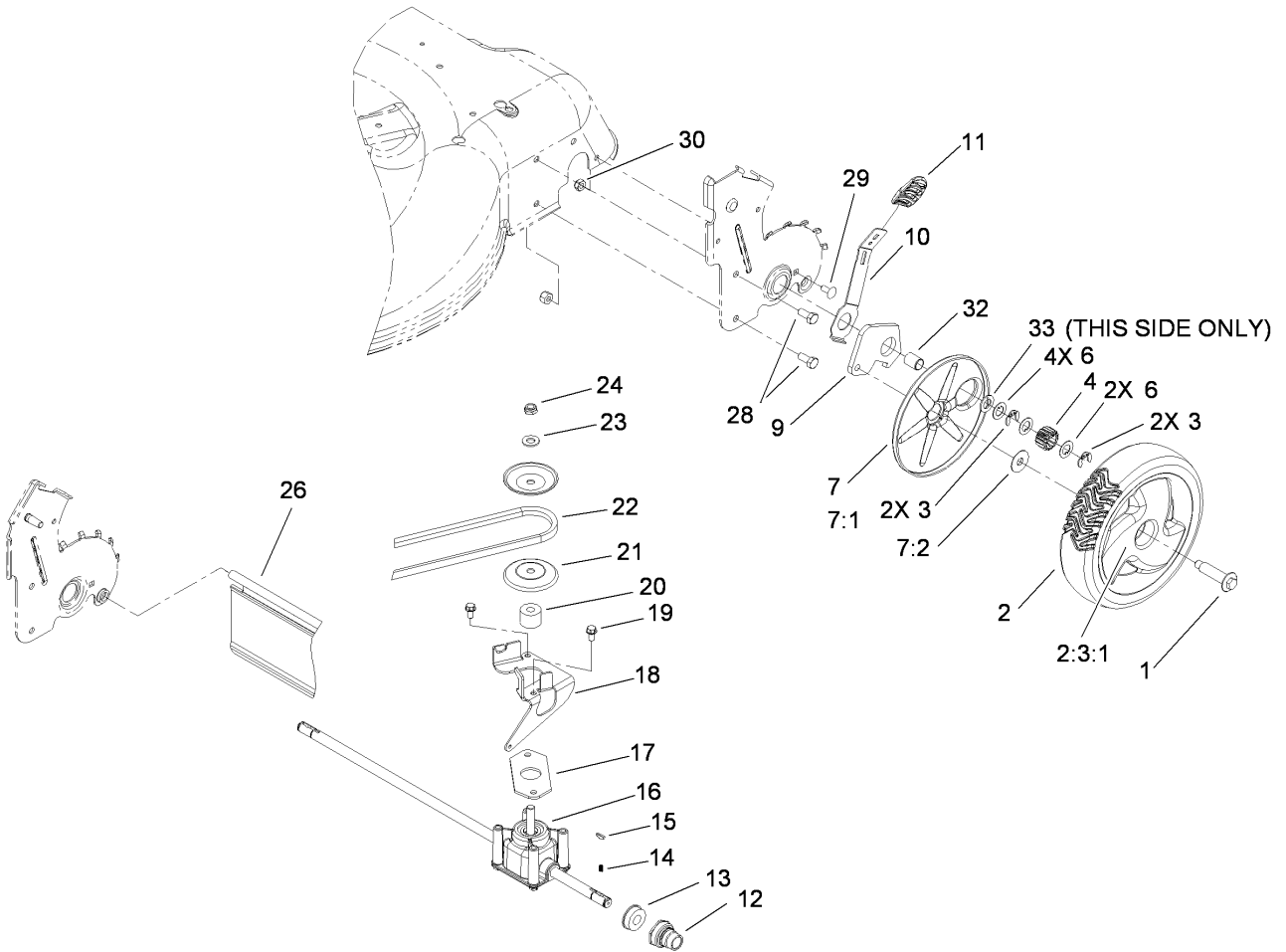
Ref	Part No.	Qty.	Description
1	614650	2	Bolt-Shoulder
2	105-1814	2	Wheel ASM
3	322-6	2	Screw-HH
4	110-7466	2	Washer-Bolt, Wheel
5	105-3048	2	Washer-Flat
6	105-1807	2	Arm-Pivot, Front
7	105-1809	2	Arm-Spring
8	105-3042	2	Knob-Lever, HOC
9	105-1818	2	Bushing-Mount, HOC
10	3296-29	2	Nut-Lock, NI
11	46-8091	1	Screw-HWH
12	105-3004	1	Cover-Cutout
13	105-3005	1	Cover-Belt Opening
14	104-9359	1	Bumper-Mower
15	105-6849	3	Screw-Thread Forming



Rear Axle Assembly

Ref	Part No.	Qty.	Description
1	614650	2	Bolt-Shoulder
2	105-3036	2	Wheel Gear ASM
1 2:3		1	Wheel ASM
2:3:1	27-6250	2	Bushing
3	65-2720	4	Ring-Clip, Locking
4	105-3040	2	Gear-Pinion, 15T
6	105-6840	6	Washer-Thrust
7	110-1792	2	Wheel Cover ASM
7:1		1	Cover-Wheel
7:2	614426	1	Washer-Stepped
8	32151-36	2	Ring-Retaining
9	105-1819	2	Arm-Pivot, Rear
10	105-1809	2	Arm-Spring
11	105-3042	2	Knob-Lever, HOC
12	104-8698	2	Retainer-Bearing, HOC
13	104-8699	2	Bearing-Ball
14	39-9650	2	Spring-Compression
15	612066	2	Key
16	106-3956	1	Transmission ASM
17	108-9756	1	Gasket-Gearbox
18	106-6809-03	1	Bracket-Pivot
19	32144-4	2	Screw-HWH
20	92-5791	1	Spacer
21	100-1176	2	Pulley-Half

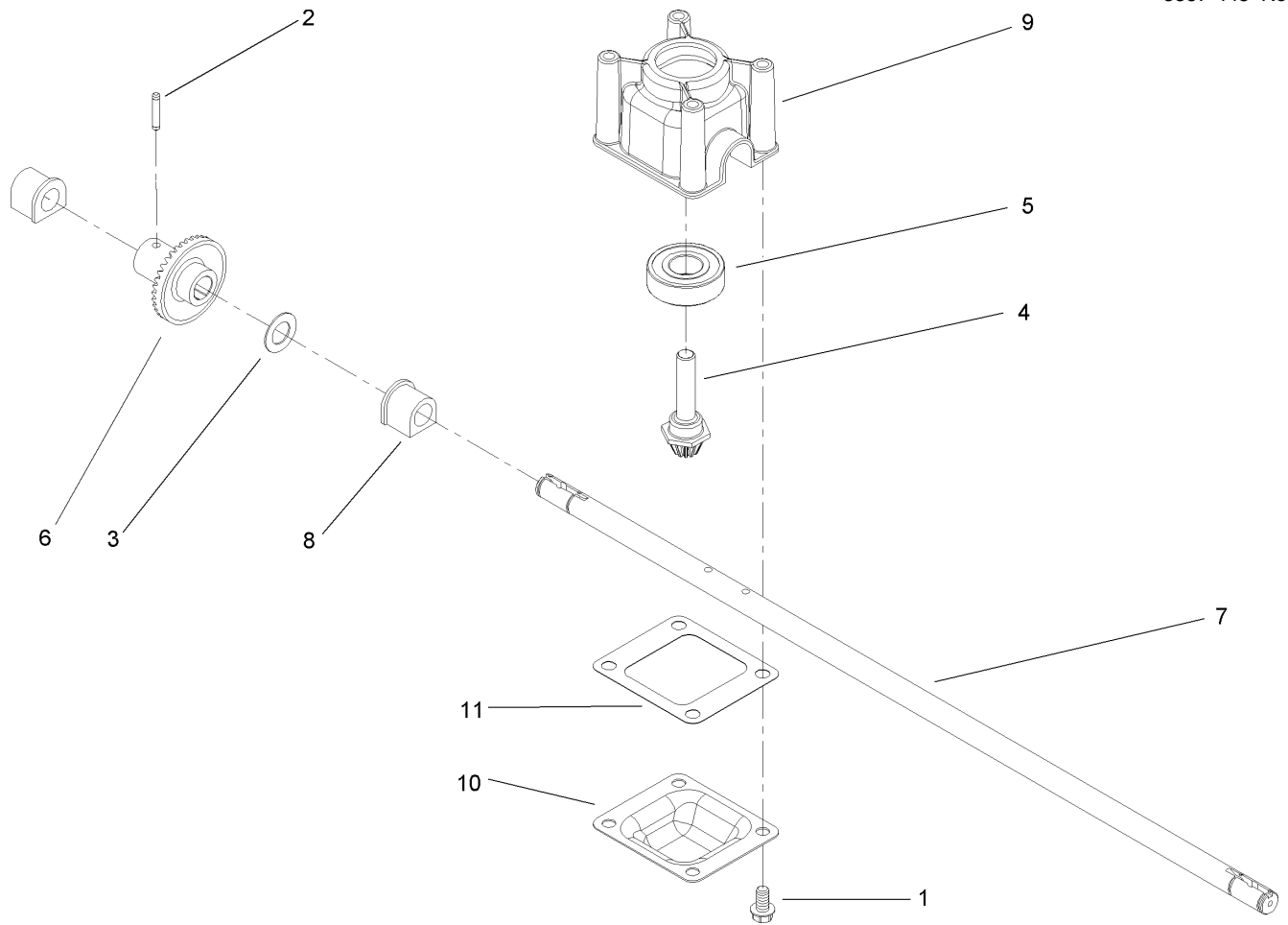
Ref	Part No.	Qty.	Description
22	91-2258	1	V-Belt
23	3256-24	1	Washer-Flat
24	3296-5	1	Nut-Lock
25	105-1811	1	Brace-Plate, HOC
26	114-1585	1	Shield-Trailing
28	322-6	4	Screw-HH
29	3229-11	2	Screw-CARR
30	3296-16	2	Nut-Lock, NI
31	36-4780	1	Washer-Plain



Rear Axle and Transmission Assembly

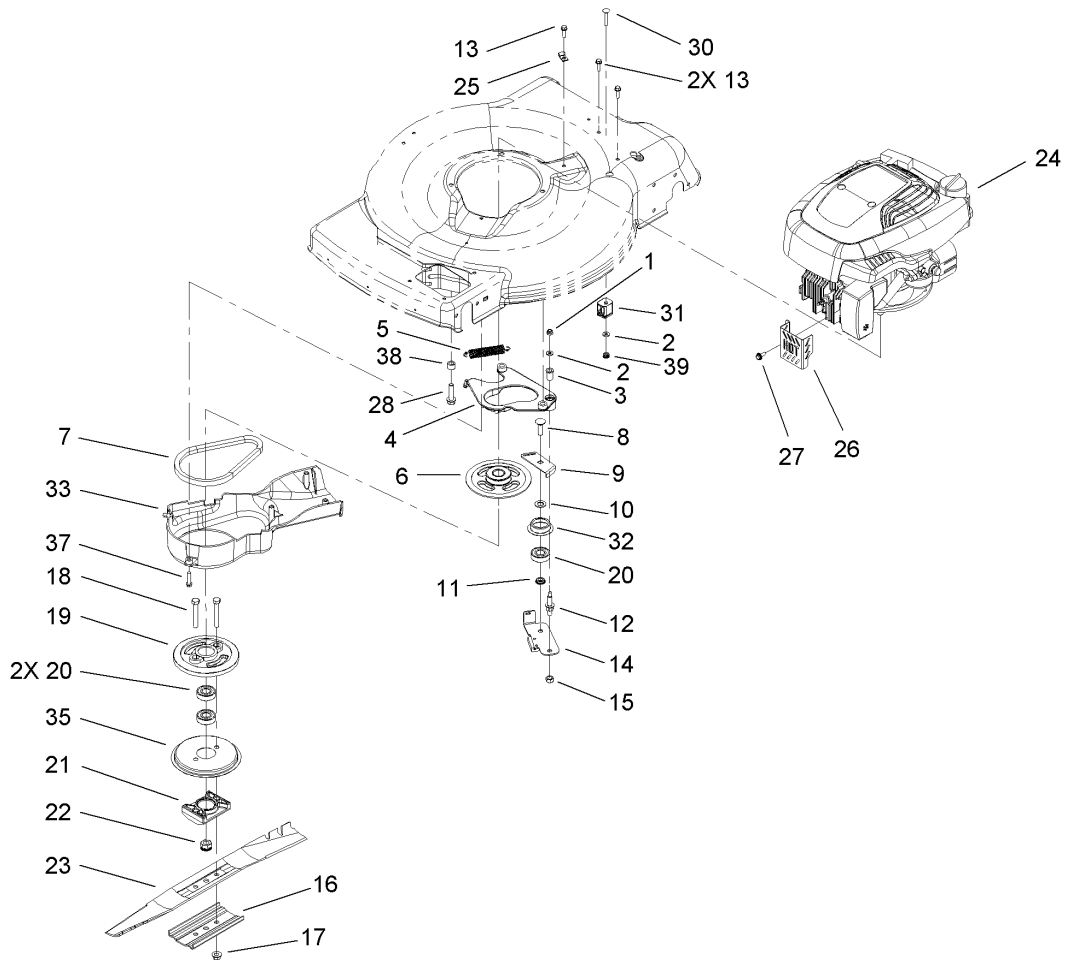
Ref	Part No.	Qty.	Description
1	614650	2	Bolt-Shoulder
2	105-3036	2	Wheel Gear ASM
① ② 2:3		1	Wheel ASM
2:3:1	27-6250	2	Bushing
3	65-2720	4	Ring-Clip, Locking
4	105-3040	2	Gear-Pinion, 15T
6	105-6840	6	Washer-Thrust
7	110-1792	2	Wheel Cover ASM
② 7:1		1	Cover-Wheel
7:2	614426	1	Washer-Stepped
9	108-9781	2	Arm-Pivot, Rear
10	108-9780	2	Arm-Spring
11	105-3042	2	Knob-Lever, HOC
12	108-9779	2	Retainer-Bushing, HOC
13	104-8699	2	Bearing-Ball
14	39-9650	2	Spring-Compression
15	612066	2	Key
16	106-3956	1	Transmission ASM
17	108-9756	1	Gasket-Gearbox
18	106-6809-03	1	Bracket-Pivot
19	32144-4	2	Screw-HWH
20	92-5791	1	Spacer
21	100-1176	2	Pulley-Half
22	91-2258	1	V-Belt

Ref	Part No.	Qty.	Description
23	3256-24	1	Washer-Flat
24	3296-5	1	Nut-Lock
26	114-1585	1	Shield-Trailing
28	322-6	4	Screw-HH
29	3229-11	2	Screw-CARR
30	3296-16	2	Nut-Lock, NI
32	108-9782	2	Bushing-Sleeve
33	110-7191	1	Washer-Thrust



Transmission Assembly No. 106-3956

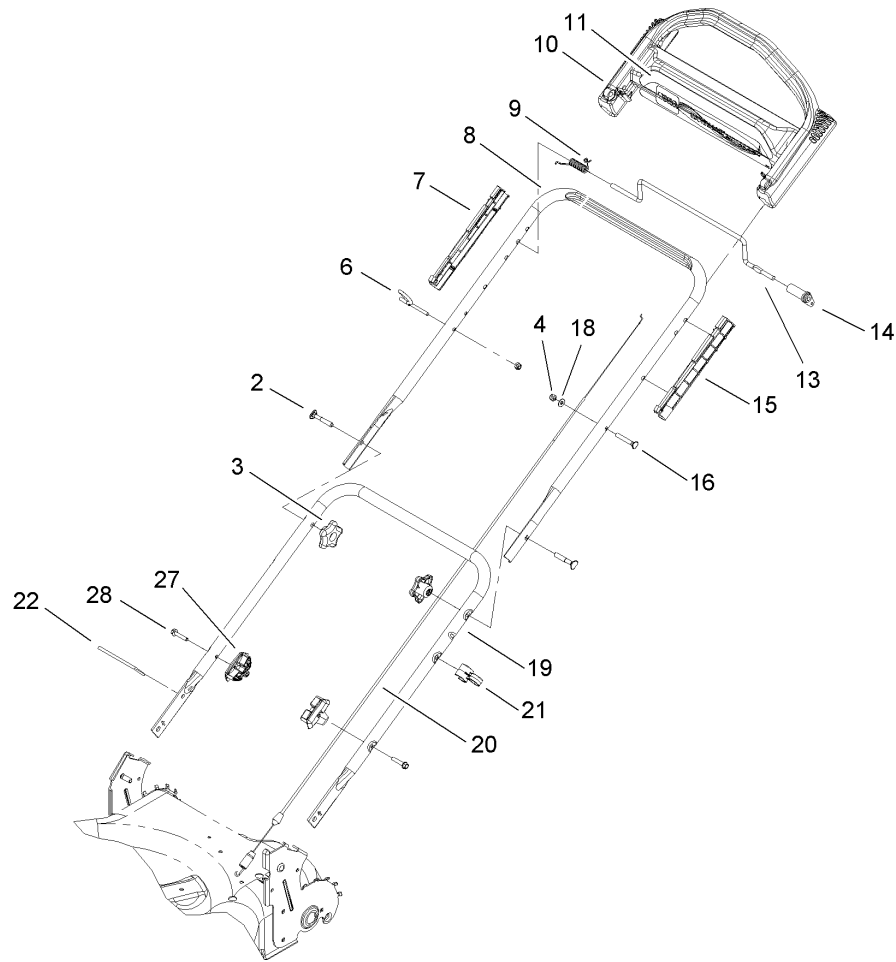
Ref	Part No.	Qty.	Description
1	32144-4	4	Screw-HWH
2	105-6817	1	Pin-Groove
3	36-4780	1	Washer-Plain
4	92-5790	1	Pinion
5	100-1048	1	Bearing-Ball
6	104-8671	1	Gear-Bevel, 37T
7	106-3957	1	Shaft-Output
8	104-8673	2	Bushing-Shaft, Output
9	104-8674	1	Gearcase-Upper
10	104-8675-03	1	Cover-Gearcase
11	105-6839	1	Gasket-Gearcase



Engine Assembly

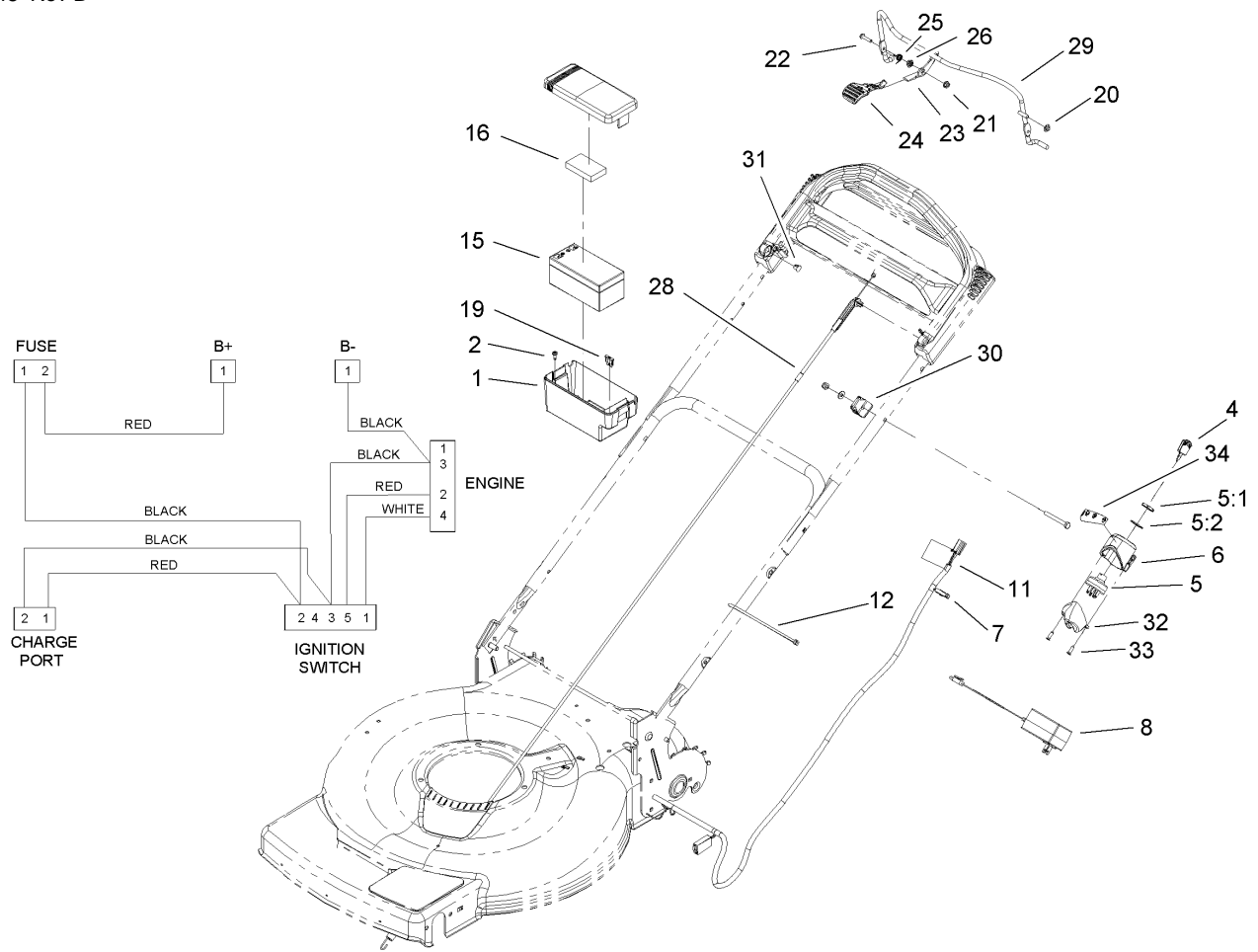
Ref	Part No.	Qty.	Description
1	3296-73	1	Nut-Lock, NI
2	3256-16	2	Washer-Flat
3	107-0797	1	Bushing
4	108-9341	1	Plate-Anchor
5	108-3792	1	Spring-Tension, Brake
6	110-7456	1	Pulley
7	110-1790	1	Belt-BBC
8	3231-25	1	Screw-CARR
9	107-7471	1	Plate-Guide
10	605256	1	Washer
11	107-0758	1	Spacer-Bearing
12	107-0759	1	Bolt-Shoulder
13	46-8091	3	Screw-HWH
14	107-7477	1	Brake Arm ASM
15	603773	2	Nut
16	108-3766-03	1	Support-Blade
17	54-9190	2	Nut-Lock
18	3211-42	2	Screw-HH
19	107-0754	1	Drum
20	100-1048	3	Bearing-Ball
21	107-7487	1	Support-Blade
22	108-9342	1	Nut-Hex
23	108-9764-03	1	Blade-22 Inch

Ref	Part No.	Qty.	Description
24		1	Engine-Tecumseh, Lv195Xa-362086E
25	2412-72	1	Clip-Closed, Insulated
26	106-8346-03	1	Guard-Muffler
27	32144-85	3	Screw-HWH
28	32144-102	3	Screw-HWH
30	3229-4	1	Screw-CARR
31	106-6801	1	Anchor-Cable, BBC
32	108-3790	1	Retainer-Belt
33	107-0798	1	Cover-BBC
35	108-3787	1	Disc
37	46-8092	1	Screw-Plastite
38	100-6447	1	Tube-Spacer
39	3296-56	1	Nut-Lock, NI



Handle Assembly

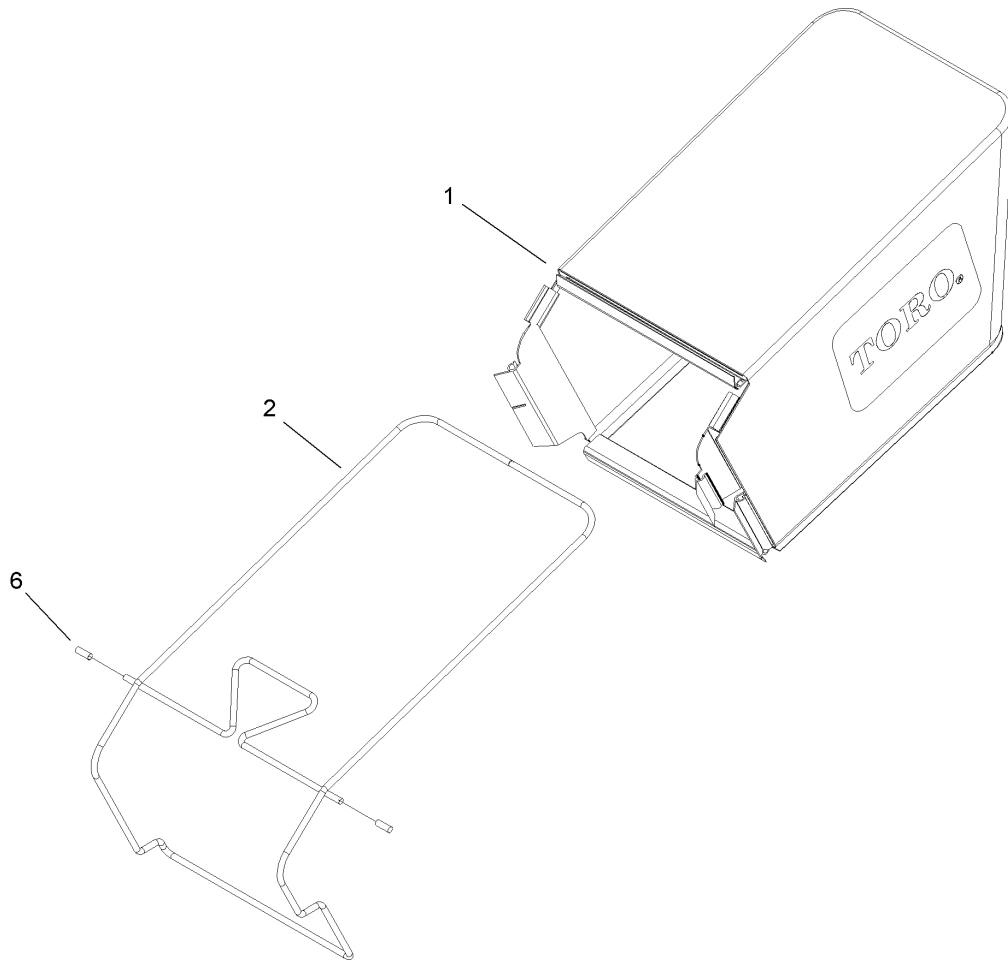
Ref	Part No.	Qty.	Description
2	112-8876	2	Screw-Handle
3	108-8162	2	Knob-Locking
4	3296-73	2	Nut-Lock, NI
6	86-9671	1	Guide-Rope
7	105-6841	2	Guide-RH
8	104-8680-05	1	Handle-Upper
9	104-8690	1	Spring-Torsion
10	104-8678	1	Handle-Control
11	114-0338	1	Decal
13	99-1588	1	Bar-Control, Traction
14	99-1589	1	Lever-Traction
15	105-6842	1	Guide-LH
16	321-50	1	Screw-HH
18	3256-1	1	Washer-Flat
19	112-6440-05	1	Handle-Lower
20	105-1844	1	Cable-Traction
21	106-6805	1	Guide-Cable
22	614249	1	Strap-Tie
27	108-9788	2	Anchor-Bag
28	32144-110	2	Screw-HWH



Electric Start Assembly

Ref	Part No.	Qty.	Description
1	108-4844	1	Battery Box ASM
2	105-6849	2	Screw-Thread Forming
4	700918	1	Key
5	23-0660	1	Switch-Starter
5:1	218-461	1	Nut-HH
5:2	3254-5	1	Washer-Tooth
6	108-3795	1	Housing-Key Switch
7	110-1618	1	Harness-Wire
8	104-7401	1	Charger-12 Volt
11	104-7953	1	Decal-Harness
12	614249	2	Strap-Tie
15	106-8397	1	Battery-12 Volt
16	107-3774	1	Foam-Battery, Top
19	99-6124	2	Fuse-40 Amp
20	3290-337	1	Nut-Speed
21	32128-17	1	Nut-Lock, Flange
22	106-9169	1	Screw
23	106-6802	1	Lever
24	112-8884	1	Knob-BBC
25	107-7462	1	Spring-Torsion
26	107-7463	1	Spacer
28	107-0799	1	Cable ASM
29	108-3788	1	Bail-Brake
30	92-7729	1	Anchor-Cable, Upper

Ref	Part No.	Qty.	Description
31	104-9368	1	Plug-Dome
32	108-3796	1	Cvr-Switch M04
33	32144-111	2	Screw-PPH
34	108-9751	1	Decal-Switch, Ignition



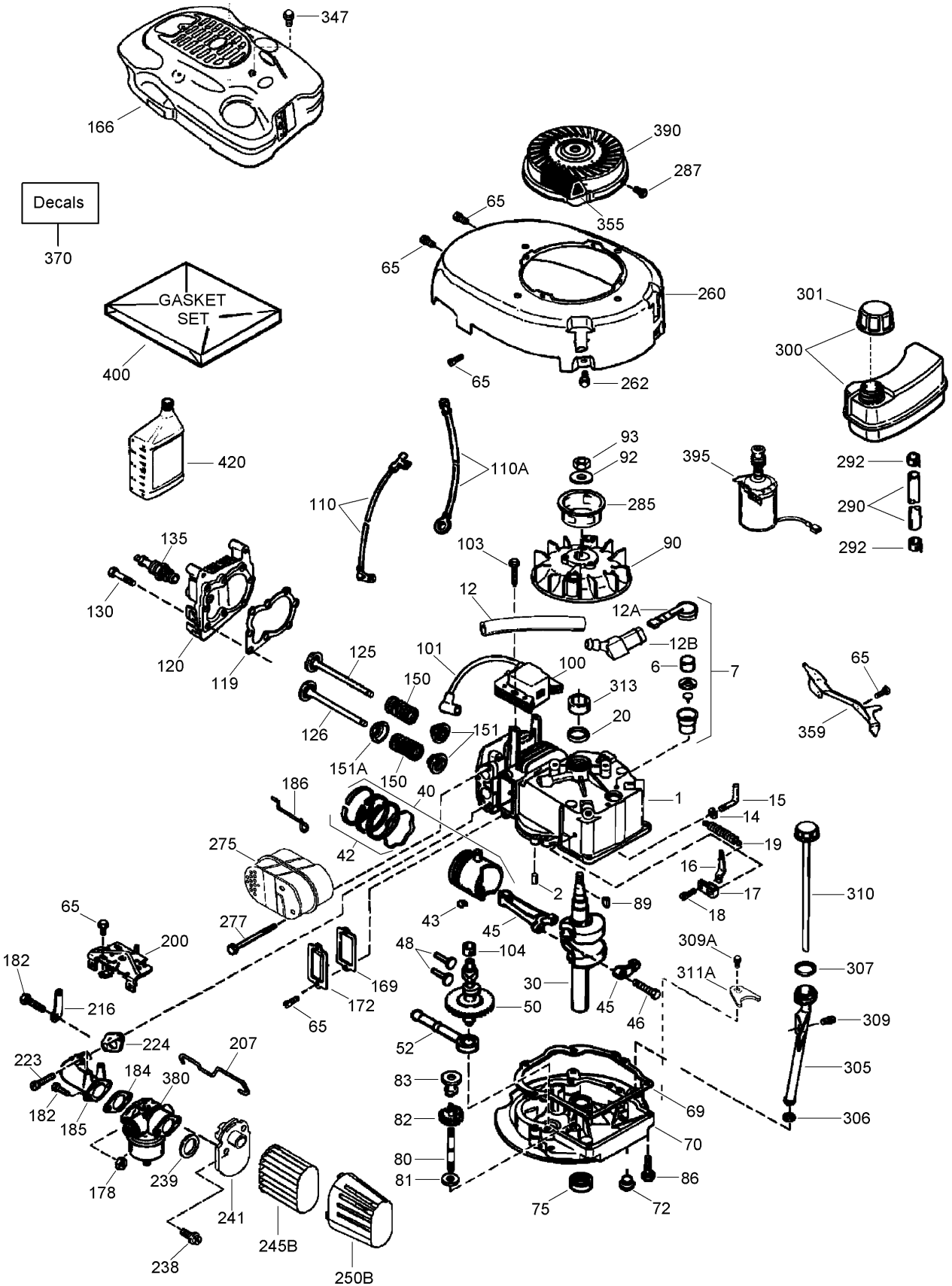
Rear Bag Assembly

Ref	Part No.	Qty.	Description
1	108-9792	1	Grass Bag ASM
2	108-9785-03	1	Frame-Bag
6	112-6439	2	Cap-End

--	--	--	--

Engine Assembly No. 1

Tecumseh LV195XA-362086E



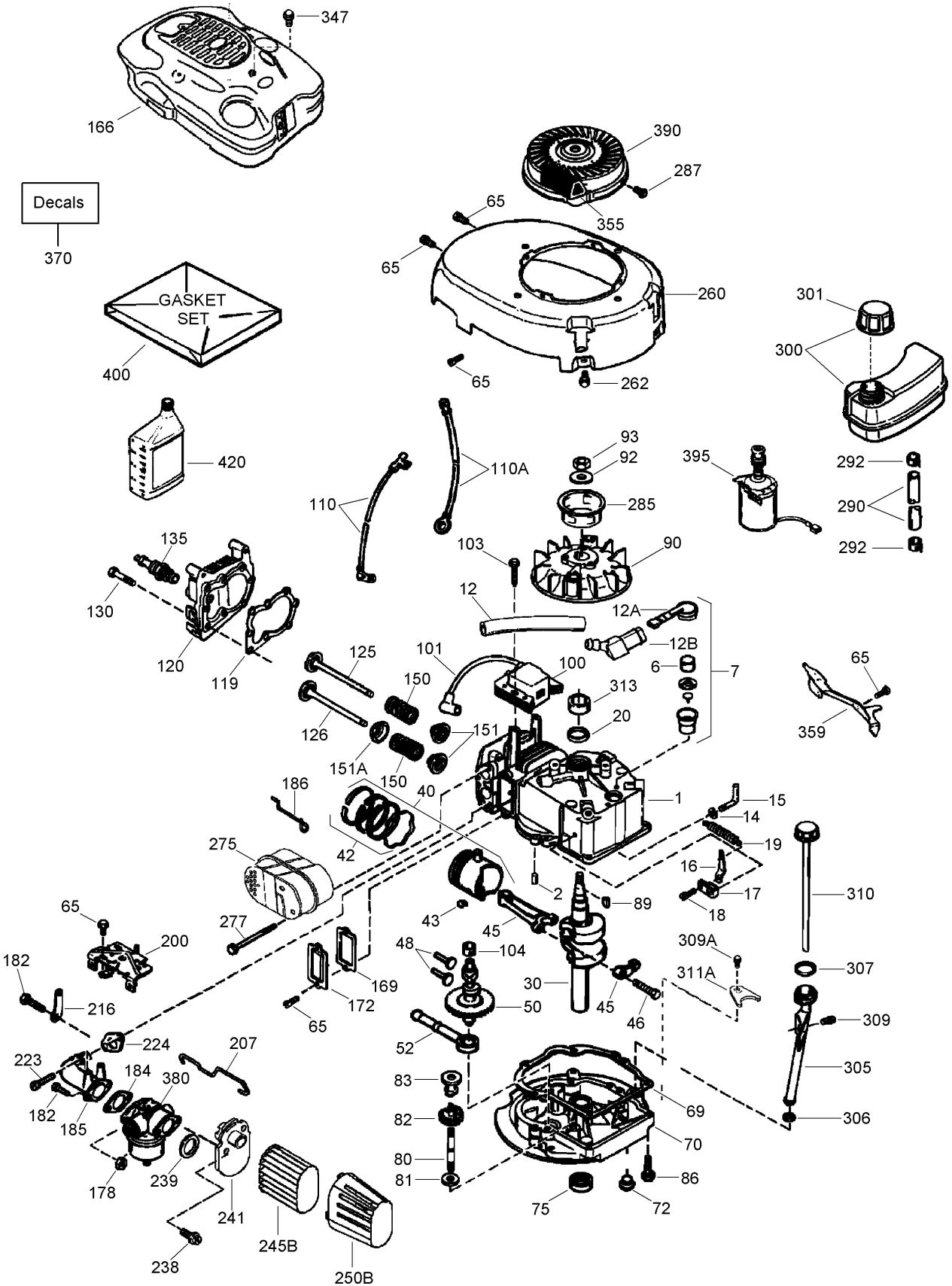
Engine Assembly No. 1

Tecumseh LV195XA-362086E

Ref	Part No.	Qty.	Description	Ref	Part No.	Qty.	Description
③1	37465	1	Cylinder ASM (Includes 2, 20)	③120	37714	1	Head-Cylinder
③2	26727	2	Pin-Dowel	③125	37288	1	Valve-Exhaust (STD) (Includes 151)
③6	33734	1	Element-Breather	③126	37289	1	Valve-Intake (STD) (Includes 151)
③7	36557	1	Breather ASM (Includes 6, 12A)	③130	6021A	8	Screw (5/16-18X1-1/2)
③12	37944	1	Tube-Breather	③135	35395	1	Spark Plug-Resistor (R J19 L M)
③12A	36558	1	Breather Cover And Tube ASM	③150	31672	2	Spring-Valve
③12B	36694	1	Elbow-Tube, Breather	③151	31673	2	Cap-Valve, Spring
③14	28277	1	Washer-Flat	③151A	40017	1	Seal-Valve, Intake
③15	30589	1	Governor Rod ASM (Includes 14)				
③16	34839A	1	Lever-Governor				
③17	31335	1	Clamp-Lever, Governor				
③18	651018	1	Screw (T-15, 8-32 X 19/64)				
③19	36281	1	Spring-Extension (Governor)				
③20	32600	1	Seal-Oil				
③30	38001	1	Crankshaft				
③40	40045	1	Piston, Pin And Ring Set (.010 O S) (Includes 42)				
③40	40044	1	Piston, Pin And Ring Set (STD) (Includes 42)				
③42	40007	1	Ring Set (.010 O S)				
③42	40006	1	Ring Set (STD)				
③43	20381	2	Ring-Retaining, Piston Pin				
③45	36777	1	Connecting Rod ASM (Includes 46)				
③46	32610A	2	Bolt-Rod, Connecting				
③48	27241	2	Lifter-Valve				
③50	37460	1	Camshaft (Exhaust M C R) (Includes 104)				
③52	29914	1	Oil Pump ASM				
③65	30200	6	Screw (10-24 X 9/16)				
③69	37609	1	Gasket-Flange, Mounting				
③70	37608A	1	Mounting Flange ASM (Includes 72-83, 306, 309A, 311A)				
③72	37614	1	Plug-Drain, Oil (Flush Mount)				
③75	27897	1	Seal-Oil				
③80	30574A	1	Shaft-Governor				
③81	30590A	1	Washer-Flat				
③82	30591	1	Governor Gear ASM (Includes 81)				
③83	30588A	1	Spool-Governor				
③86	650488	6	Screw (1/4-20 X 1-1/4)				
③89	611298	1	Key-Flywheel				
③90	611179	1	Flywheel				
③92	650815	1	Washer-Belleville				
③93	650816	1	Nut-Flywheel				
③100	34443C	1	Ignition-State, Solid				
③101	610118	1	Cover-Spark Plug				
③103	651007	2	Screw (T-15, 10-24 X 15/16)				
③104	37480	1	Bushing-Cam				
③110	37682	1	Wire-Ground				
③110A	36953	1	Ground Wire (11.25 With Ring Terminal & Female Straight Terminal)				
③119	37796	1	Gasket-Head, Cylinder				

Engine Assembly No. 2

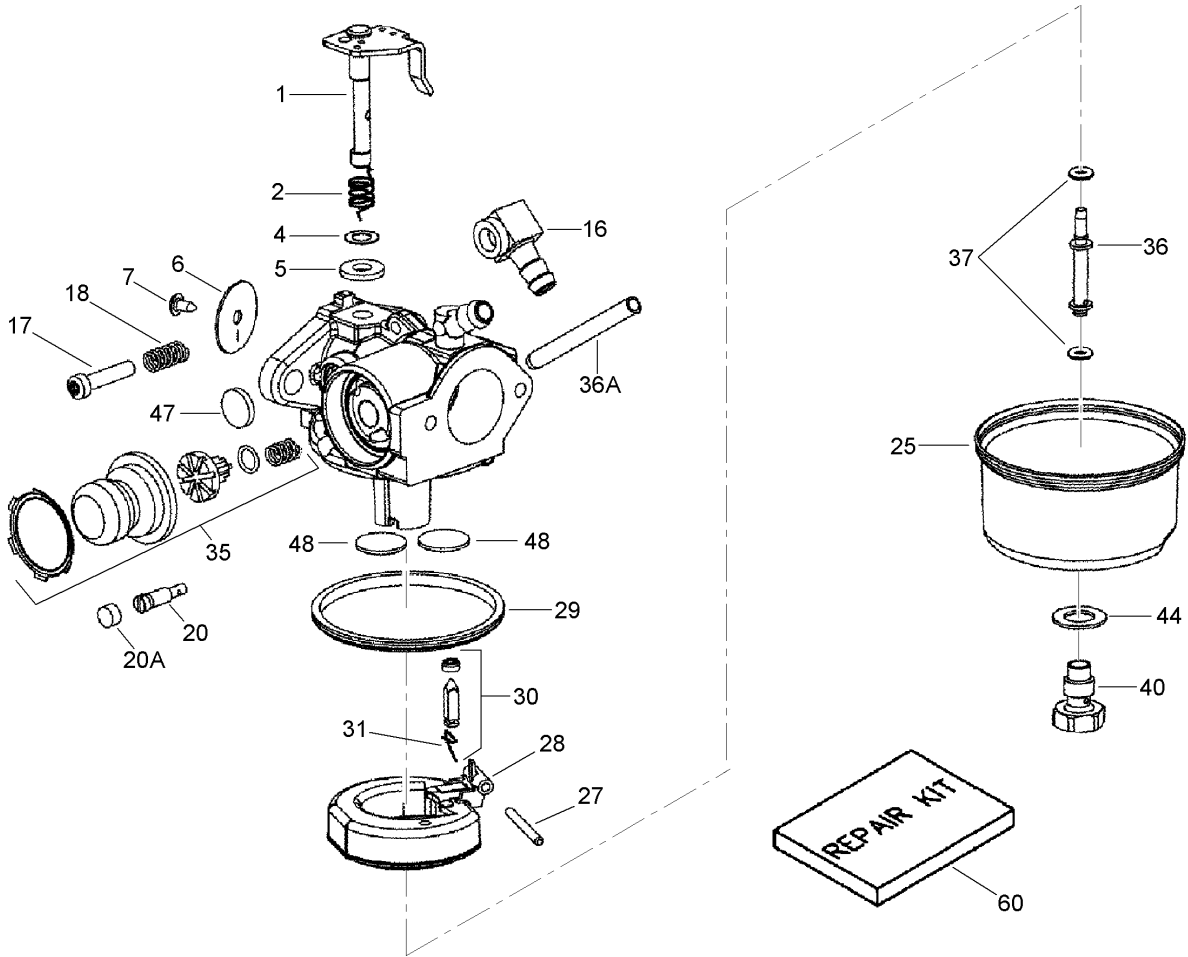
Tecumseh LV195XA-362086E



Engine Assembly No. 2

Tecumseh LV195XA-362086E

Ref	Part No.	Qty.	Description				
③166	38019	1	Shroud-Engine				
③169	36783	1	Gasket-Cover, Valve				
③172	36784	1	Cover-Valve				
③178	29752	2	Nut And Lock Washer (1/4-28)				
③182	6201	2	Screw (1/4-28 X 7/8)				
③184	26756	1	Gasket				
③185	37466	1	Pipe-Intake				
③186	32653	1	Link-Governor				
③200	37876	1	Bracket-Control				
③207	34336A	1	Link-Throttle				
③216	33086	1	Lever-Adjusting, R P M				
③223	650451	2	Screw (1/4-20 X 1)				
③224	36786	1	Gasket-Pipe, Intake				
③238	650932	2	Screw (10-32 X 49/64)				
③239	34338	1	Gasket-Cleaner, Air				
③241	36919	1	Collar-Cleaner, Air				
③245B	36905	1	Filter-Air Cleaner (Paper)				
③250B	37122	1	Cover-Cleaner, Air				
③260	37693A	1	Housing-Blower				
③262	650831	4	Screw (1/4-20 X 1/2)				
③275	37498	1	Muffler				
③277	650988	2	Screw (1/4-20 X 2-9/32)				
③285	35000A	1	Cup-Starter				
③287	650926	2	Screw (8-32 X 21/64)				
③290	37962	1	Line-Fuel, Low Permeation (8.62)				
③292	26460	2	Clamp-Line, Fuel				
③300	37947	1	Fuel Tank ASM (Includes 292, 301)				
③301	37844	1	Cap-Fuel (Black) (1-1/2 I D)				
③305	35647A	1	Tube-Fill, Oil				
③306	37610	1	O-Ring				
③307	35499	1	O-Ring				
③309	650562	1	Screw (10-32 X 1/2)				
③309A	650783	1	Screw (10-24 X 3/4)				
③310	35648	1	Dipstick				
③311A	37611	1	Bracket-Holddown				
③313	34080	1	Spacer				
③347	650898A	4	Screw (10-32 X 27/32)				
③355	590701	1	Handle-Starter (STD)				
③359	38026	1	Flywheel Guard				
③370	35977	1	Decal-Caution (Read Operator Manual)				
③370	37695	1	Decal-Primer (3X Complete Instructions)				
③380	640350	1	Carburetor ASM (Includes 184)				
③390	590739	1	Rewind Starter ASM				
③395	35707	1	Motor-Starter, Electric (12 Volt)				
③400	37613A	1	Gasket Set				
③420	730225A	1	Oil-Engine (4-Cycle Sae 30)				
①③0	805189A	1	Engine-Replacement				
①③0	750837D	1	Shortblock-Replacement				



Carburetor Assembly No. 640350 Tecumseh LV195XA-362086E

Ref	Part No.	Qty.	Description
③0	640350	1	Carburetor ASM
③1	631615	1	Throttle Shaft And Lever ASM
③2	631767	1	Spring-Return, Throttle
③④4	631184	1	Washer-Seal, Dust
③④5	631183	1	Seal-Dust
③6	640070	1	Shutter-Throttle
③④7	650506	1	Screw-Shutter
③16	631807	1	Fitting-Fuel
③17	651025	1	Screw-Throttle Crack And Idle Speed
③18	630766	1	Spring-Tension
③20	640016	1	Screw-Restrictor, Idle
③20A	640200	1	Cap-Screw, Restrictor Idle
③25	631867	1	Bowl-Float (No Drain)
③④27	631024	1	Shaft-Float
③28	632802	1	Float (Plastic)
③④29	631028	1	O Ring-Bowl, Float
③④30	631021A	1	Inlet Needle, Seat And Clip ASM (Includes 31)
③31	631022	1	Clip-Spring
③35	640351	1	Primer Bulb And Valve Repair Kit
③36	640080	1	Tube-Nozzle, Main
③36A	632766	1	Tube-Carburetor
③④37	632547	2	O-Ring

Ref	Part No.	Qty.	Description
③40	640030	1	Nut-Bowl, High Speed
③④44	27110A	1	Washer-Nut, Bowl
③④47	630748	1	Plug-Welch, Idle Mixture Well
③④48	631027	2	Plug-Welch, Atmospheric Vent
③60	632760B	1	Carburetor Repair Kit

Attachments and Accessories

For 20076 - 22in Recycler Lawn Mower

Product Name	Model/Part
Traction Assist Handle Kit	108-8120
Tuneup Kit	20235
Replacement Bag	59303
Bagger Kit	59304
22 Inch Blade Kit	59534

