



170-DH Lawn Tractor

Model No. 74570 - 220000001 and up.

Parts Catalog

Ordering Replacement Parts

To order replacement parts, please supply the part number, the quantity, and the description of each part desired.

Understanding Reference Numbers

Each identified part in an illustration has a reference number. The reference number for a part also appears in the parts list, along with other information about the part.

This catalog uses two special reference number formats, one to indicate parts in a service assembly and another to indicate the quantity of a given part in an illustration.

Service Assembly Reference Numbers

Parts in service assemblies have reference numbers in the form a:b. The a represents the reference number of the entire service assembly and the b represents a sequential number unique to each part within the service assembly.

For example, a wheel assembly might be identified by reference number 6, the tire by 6:1, the valve by 6:2, and the wheel by 6:3. When you order the assembly identified by reference number 6, you receive all parts identified by reference numbers 6:1, 6:2, and 6:3. However, you may also order any part individually. Reference numbers of this type appear in illustrations and in part lists.

Reference Numbers Indicating Quantity

In an illustration, if a reference number indicates more than one part, the reference number has the form nX y. The n represents the quantity of the part, the X is the multiplication symbol, and the y represents the reference number.

For example, in an illustration, the reference number 2X 37 means that two of the parts identified by reference number 37 are indicated.

Contents

Description	Page	Description	Page
Body Assembly 3	Electrical Assembly 30
Front Axle Assembly 5	Electrical Assembly (continued) 31
Steering Assembly 6	Electrical Assembly (continued) 32
Body Assembly 7	Electrical Assembly (continued) 33
Engine Assembly 9	Cylinder Assembly Briggs and Stratton 311777-0151-E1 34
Operation Brake By-Pass Assembly 10	Cylinder Head Assembly Briggs and Stratton 311777-0151-E1 35
Operation Travel Pedals Assembly 11	Crankcase Assembly Briggs and Stratton 311777-0151-E1 36
Transmission Drive Assembly 12	Carburetor Assembly Briggs and Stratton 311777-0151-E1 37
Control Shaft Assembly 14	Governor Assembly Briggs and Stratton 311777-0151-E1 38
Differential Gear Assembly 15	Oil Filter, Tube, and Pump Assembly Briggs and Stratton 311777-0151-E1 39
Final Pinion Assembly 16	Air Cleaner Assembly Briggs and Stratton 311777-0151-E1 40
Axle Shaft Assembly 17	Blower Housing Assembly Briggs and Stratton 311777-0151-E1 41
Brake Assembly 18	Starter Assembly Briggs and Stratton 311777- 0151-E1 42
Fan Pulley Assembly 19	Carburetor Overhaul Kit Assembly Briggs and Stratton 311777-0151-E1 43
Range Shift Assembly 20		
Center Case Assembly 21		
Pump Shaft Assembly 22		
Motor Shaft Assembly 23		
Transaxle Case Assembly 24		
Chute Collector Assembly 25		
Grass Collector Assembly 26		
Operation Cutting Pan Assembly 27		
Cutting Pan Assembly 28		
Operation Mower Lift Assembly 29		

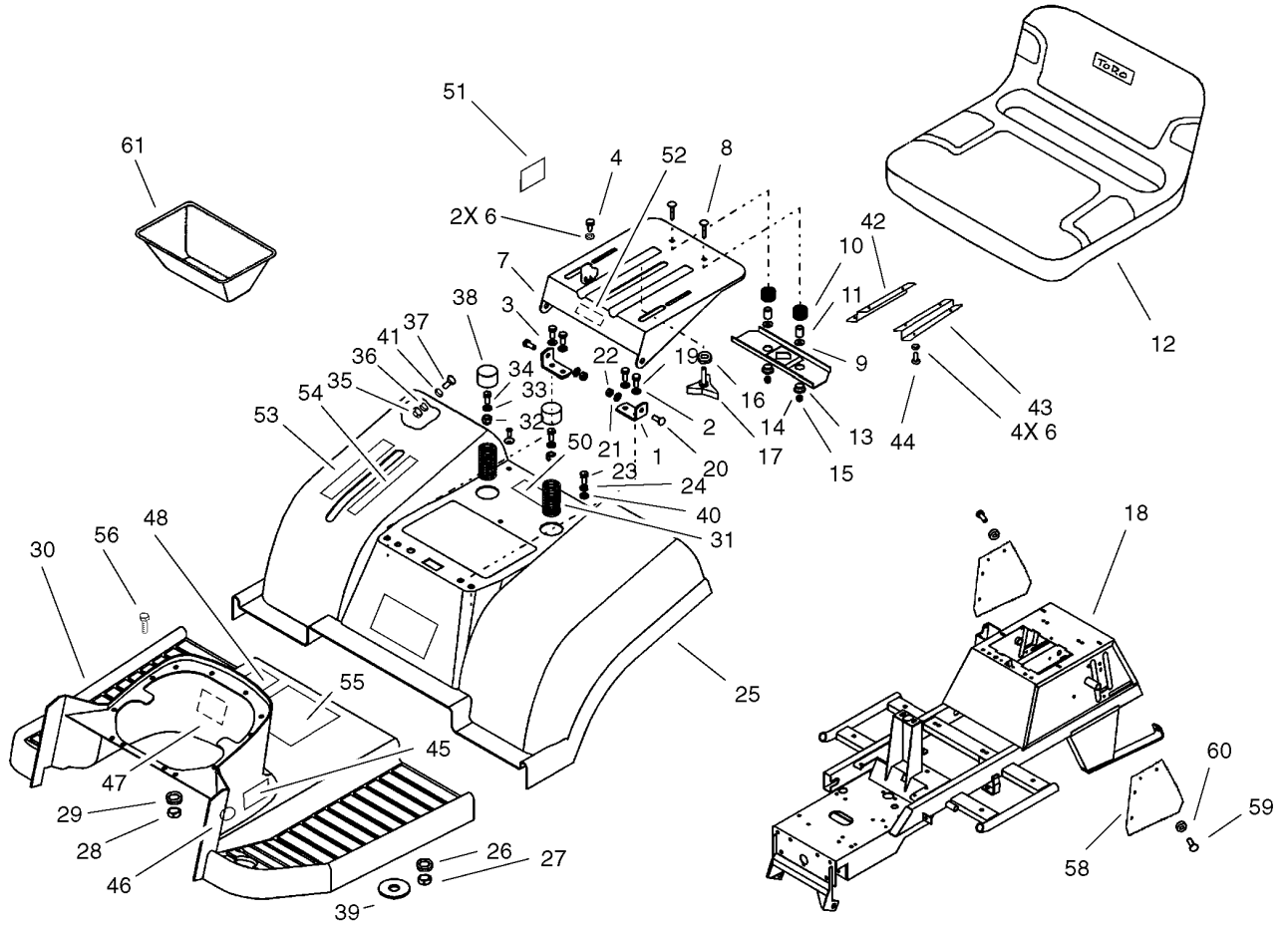
Part Description Abbreviations

Part descriptions in this catalog may include the following abbreviations.

AR. as required	HYD. hydraulic
ASM. assembly	LH. left hand
BBC. blade brake clutch	NI. nylon insert
CARR. carriage	NPTF. national pipe thread fine
DEG. degrees	PFH. phillips flat head
EXT. external	PPH. phillips pan head
FH. flat head	PPHTF. phillips pan head thread forming
GA. gauge	PRH. phillips round head
HD. heavy-duty	PTH. phillips truss head
HF. hex flange	PTO. power-take-off
HH. hex head	RH. right hand
HHF. hex head flange	ROPS. roll-over protection system
HHFTF. hex head flange thread forming	SFH. slotted fillister head
HJ. hex jam	SHH. slotted hex head
HLH. hex lag head	SHWH. slotted hex washer head
HOC. height-of-cut	SPH. slotted pan head
HSBH. hex socket button head	SQH. square head
HSFH. hex socket flat head	SRH. slotted round head
HSH. hex socket head	STD. standard
HWH. hex washer head	TAP. self tapping
HWHTF. hex washer head thread forming	TTH. torx truss head

Footnotes

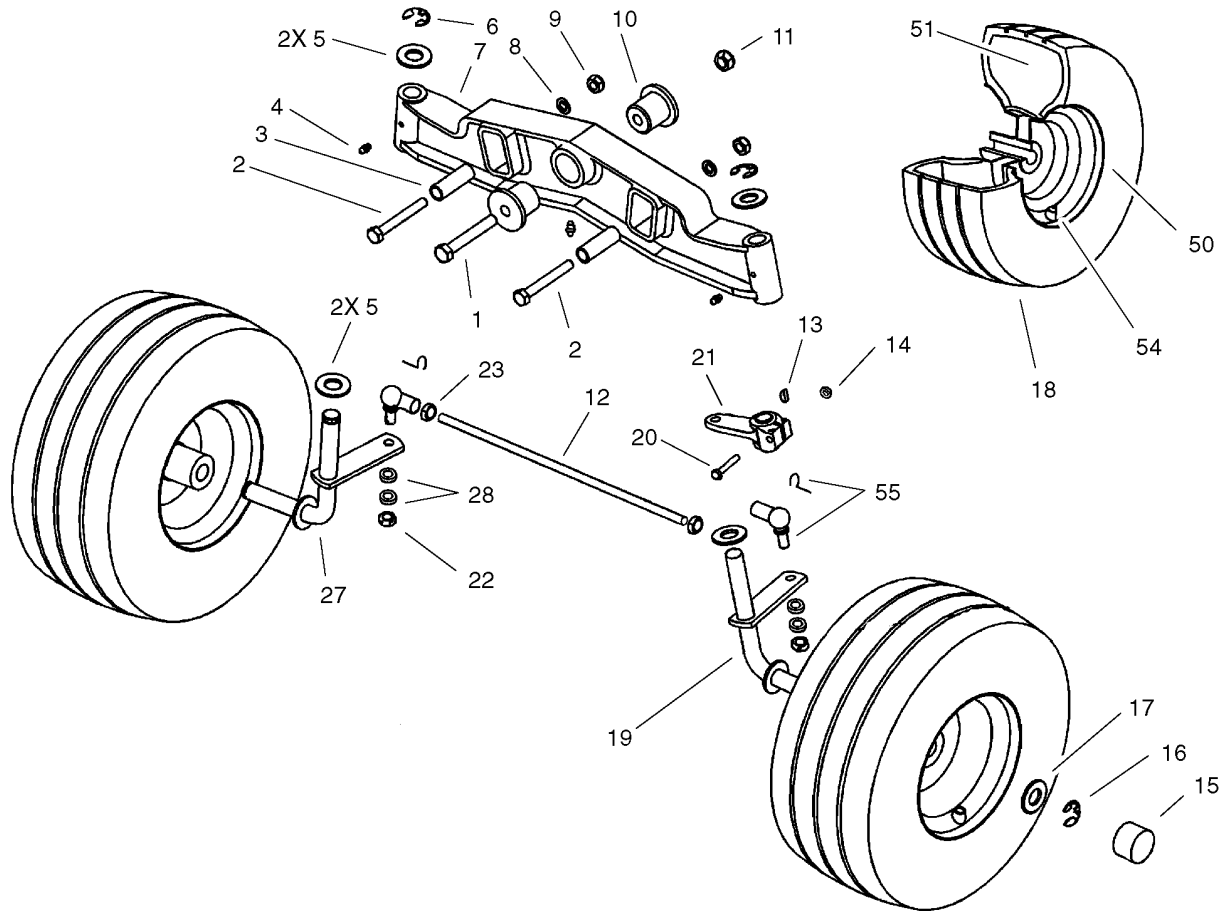
- | | |
|---|---|
| ❶ Not illustrated | ❷ Not serviced separately |
| ❸ Included in Gasket Set-Ref. 358. | ❹ Included in Carburetor Kit-Ref. 121 |
| ❺ Included in Valve Overhaul Kit-Ref. 1033. | ❻ Included in Carburetor Gasket Set-Ref. 977. |
| ❽ Obtain from your local Briggs & Stratton dealer | |



Body Assembly

Ref	Part No.	Qty.	Description
1	104-2926	2	Bracket-Support, Seat
2	104-2927	4	Washer-Spring
3	33114-025	3	Screw-HH
4	104-3192	2	Bolt-Hex
6	104-2927	6	Washer-Spring
7	104-2929	1	Support-Seat
8	104-2930	2	Bolt-Carriage
9	104-2931	2	Washer-Flat
10	104-2932	2	Spring-Seat
11	104-2933	2	Spacer-Split
12	88-3950	1	Seat
13	104-2934	1	Bracket
14	104-2935	2	Bushing
15	33023-00	2	Nut-Lock
16	104-2936	2	Washer-Spring
17	104-2937	2	Knob-Adj.
18	104-2938	1	Frame-Chassis
19	33114-030	1	Screw-HH
20	104-2939	2	Screw-Support, Seat
21	33094-00	6	Washer-Plain
22	33024-00	6	Nut-Lock
23	104-2940	2	Screw-HSFH
24	104-2941	2	Washer-Finish
25	106-5752	1	Fender

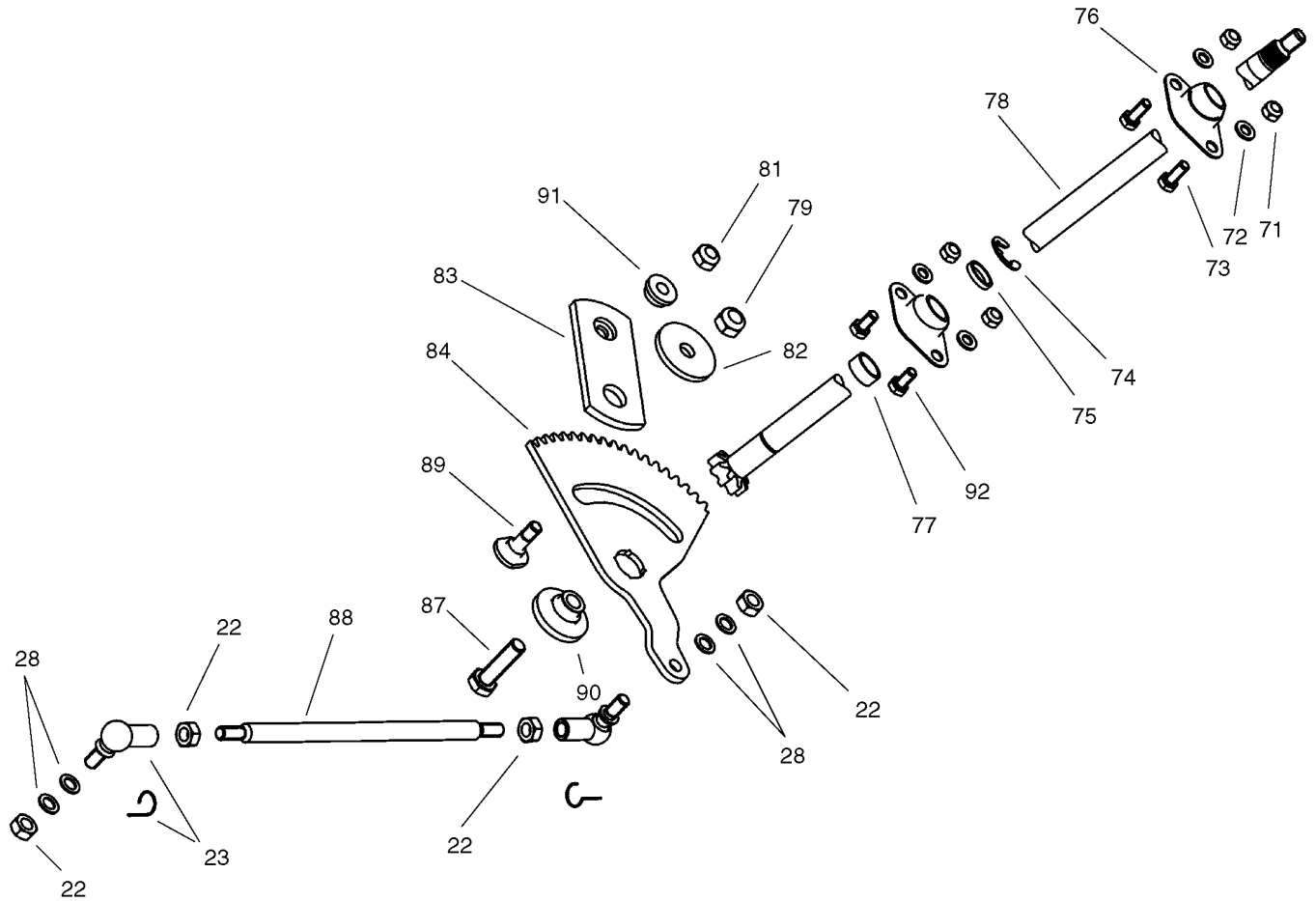
Ref	Part No.	Qty.	Description
26	33095-00	4	Washer-Flat
27	33025-00	4	Nut-Lock
28	87-5140	6	Nut-Lock
29	104-2943	6	Washer-Flat
30	104-2944	1	Footrest ASM
31	104-2945	2	Spring-Seat
32	33024-00	2	Nut-Lock
33	104-2946	6	Washer-Plain
34	33114-020	2	Screw-HH
35	87-5140	6	Nut-Lock
36	104-2943	6	Washer-Flat
37	104-2948	6	Bolt-Carriage
38	104-2857	2	Cap-Hub
39	104-2949	2	Washer-Rubber
39	104-2951	2	Washer-Rubber
40	104-2952	2	Washer-Rubber
41	104-2952	6	Washer-Rubber
42	104-2953	1	Bracket-Right Seat
43	104-2954	1	Bracket-Left Seat
44	104-3195	4	Screw
45	100-9124	2	Decal - Tower 170Dh
46	104-3237	1	Decal-Brake, Parking
47	104-3238	1	Decal-Starting
48	104-3241	1	Decal-Operation, Hydro



Front Axle Assembly

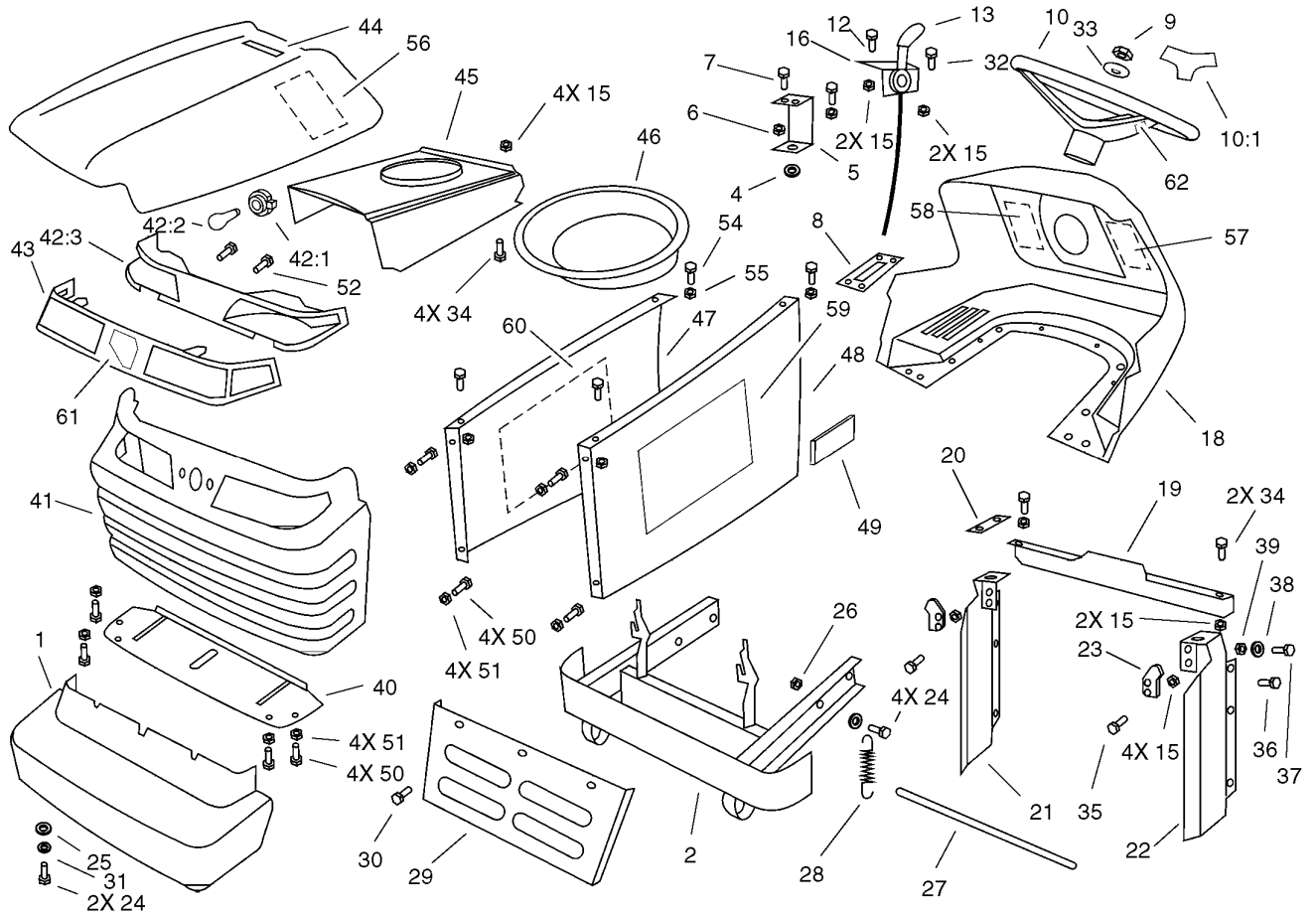
Ref	Part No.	Qty.	Description
1	33116-090	1	Screw-HH
2	33115-080	2	Screw-HH
3	104-2851	2	Spacer
4	104-2904	3	Fitting-Grease
5	104-2905	4	Washer-Flat
6	104-2891	2	Clip-Spring
7	104-2852	1	Axle-Front
8	104-2906	2	Washer-Flat
9	33025-00	2	Nut-Lock
10	104-2890	2	Bushing-Axle, Front
11	104-2907	1	Nut-Self Locking
12	104-2855	1	Rod-Tie, Front Axle
13	104-2856	1	Key-Woodruff
14	33023-00	1	Nut-Lock
15	104-2857	2	Cap-Hub
16	104-2891	2	Clip-Spring
17	104-3206	2	Washer
18	104-2858	2	Front Tire Wheel ASM
19	104-2860	1	Spindle-LH
20	33113-045	1	Screw-HH
21	104-2862	1	Lever-Spindle, Steering
22	33015-00	4	Nut-Hex
23	21-0360	2	Nut-Hex
27	104-2866	1	Spindle-RH

Ref	Part No.	Qty.	Description
28	106-5757	4	Washer
50	104-2868	2	Tyre -Turf Saver, 2-Ply
51	104-2870	2	Tube
54	104-2875	2	Valve-Tyre
55	104-2876	2	Joint-Ball, Angle



Steering Assembly

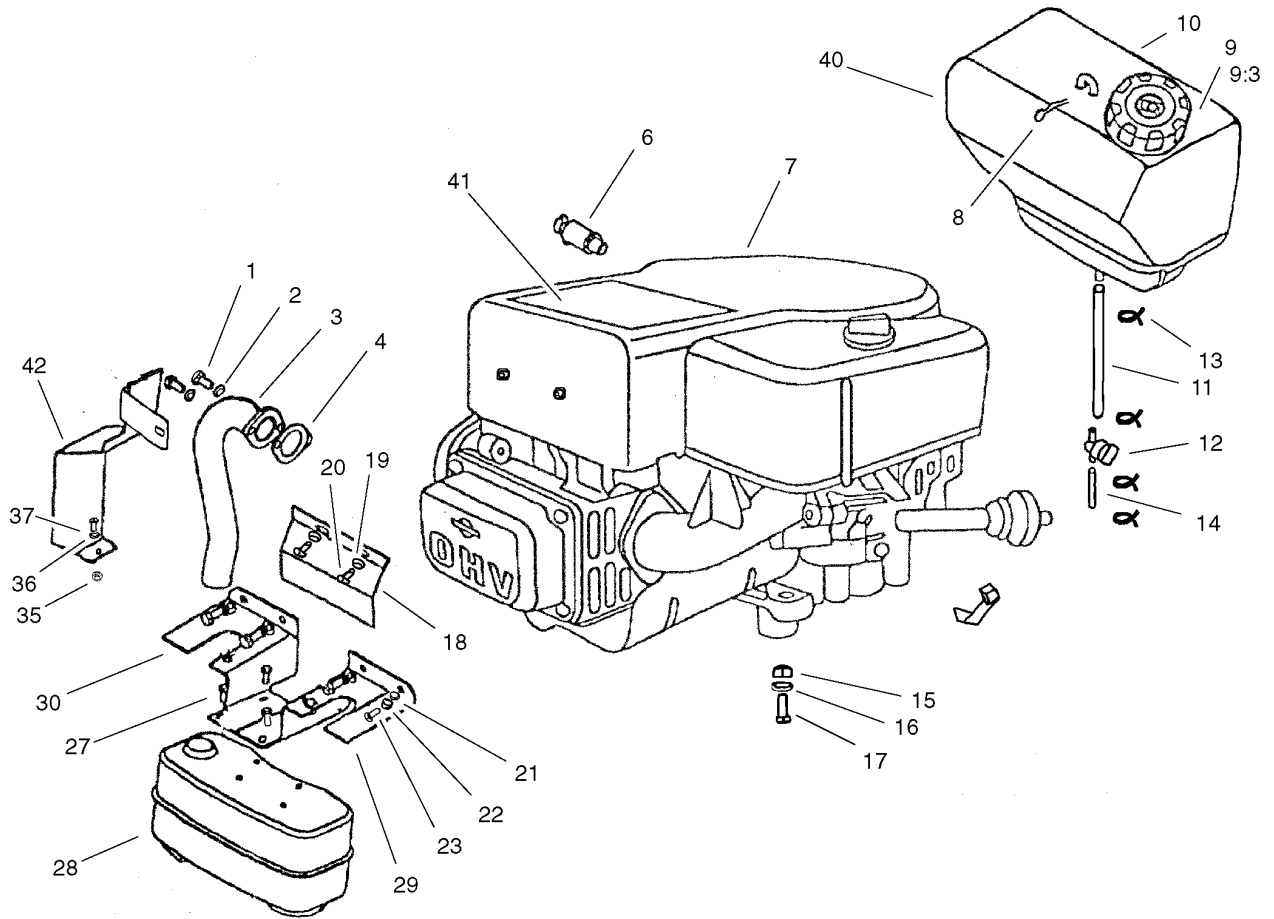
Ref	Part No.	Qty.	Description
22	33015-00	4	Nut-Hex
23	104-2863	2	Hsg-Ball Angle
28	106-5757	4	Washer
71	33024-00	4	Nut-Lock
72	33094-00	4	Washer-Plain
73	33114-020	2	Screw-HH
74	104-2891	1	Clip-Spring
75	104-2877	1	Spacer-Upper
76	104-2878	2	Bearing-Spherical
77	104-2879	1	Spacer-Lower
78	106-5773	1	Shaft-Steering
79	33026-00	1	Nut-Lock
81	33025-00	1	Nut-Lock
82	33094-00	1	Washer-Plain
83	105-1238	1	Plate-Steering
84	104-2883	1	Gear-Sector
87	104-2910	1	Screw-Hex
88	104-2886	1	Link-Drag
89	105-1239	1	Bolt-Shoulder
90	105-1240	1	Pivot-Steering
91	105-1241	1	Bushing
92	33114-016	2	Screw-HH



Body Assembly

Ref	Part No.	Qty.	Description
1	104-2955	1	Cover-Bumper
2	104-2956	1	Bumper
①3	104-2957	1	Hood ASM
4	104-2959	1	Bushing
5	104-2960	1	Holder-Tank, Fuel
6	33023-00	2	Nut-Lock
7	104-2961	2	Screw
8	104-2962	1	Brace
9	33026-00	1	Nut-Lock
10	98-1471	1	Wheel-Steering
10:1	98-1468	1	Cover-Wheel, Steering
12	104-2966	2	Screw-Flt HD
13	66-0120	1	Knob
15	87-5140	14	Nut-Lock
16	106-4166	1	Cable-Throttle And Choke
18	104-2968	1	Panel-Dash
19	104-2970	1	Brace
20	104-2971	1	Bracket
21	104-2972	1	Panel-Right
22	104-2973	1	Panel-Left
23	92-6960	2	Latch-Hood
24	33114-020	6	Screw-HH
25	104-2946	6	Washer-Plain
26	33024-00	4	Nut-Lock

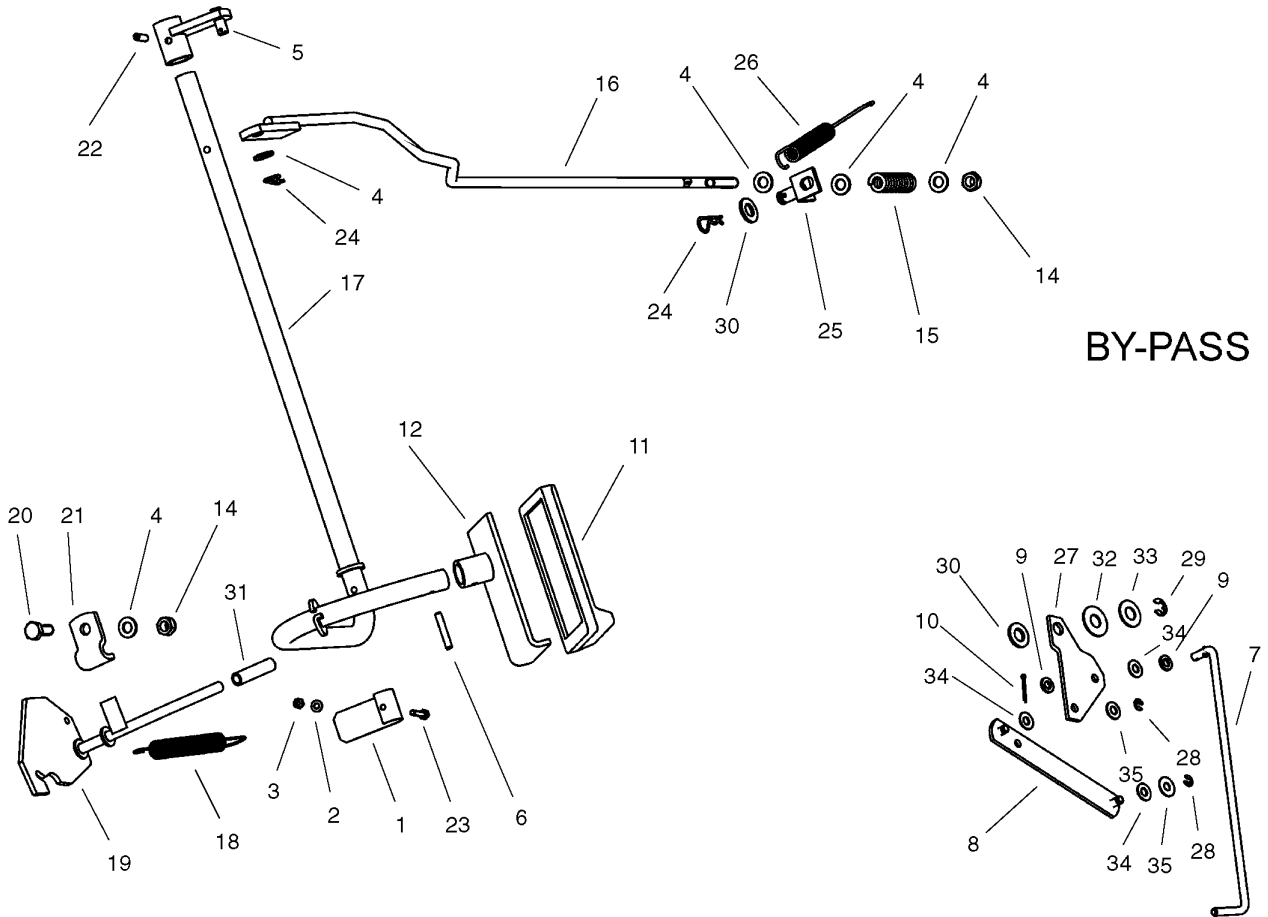
Ref	Part No.	Qty.	Description
27	104-2974	1	Bar-Safety
28	104-2975	1	Spring-Hood
29	104-2976	1	Shield-Heat
30	104-2977	3	Screw-Slf Drl
31	104-2927	2	Washer-Spring
32	106-5759	2	Screw
33	106-5758	1	Washer
34	104-2980	6	Screw
35	104-2981	4	Screw
36	104-2982	4	Screw
37	104-2983	2	Screw
38	104-2984	6	Washer
39	104-2985	6	Nut-Hex
40	104-2986	1	Bracket
41	100-1344	1	Grill
①42	88-3970	1	Reflector And Lamp ASM
42:1	111686	2	Socket-Light
42:2	7228	2	Bulb
42:3	93-8741	1	Reflector
43	92-6656	1	Lens - Headlight
44	92-6658	1	Hood-Top
45	104-3245	1	Hood - Baffle
46	104-2988	1	Plenum-Air
47	92-6650	1	Side-Hood, RH



Engine Assembly

Ref	Part No.	Qty.	Description
1	322-3	2	Screw-HH
2	104-2927	2	Washer-Spring
3	104-3221	1	Tube-Exhaust
4	88-4410	1	Gasket-Muffler
6	104-3208	1	Valve-Oil Drain
7		1	Engine-Briggs And Stratton, Intek, 1Cyl Model 311777-0151-E1
8	104-3144	1	Pin-Hair
9	88-3980	1	Gas Cap ASM
9:3	88-4010	1	Gasket-Cap, Gas
10	104-3057	1	Tank-Fuel
11	104-3211	1	Line-Fuel
12	104-3224	1	Valve-Tank, Fuel
13	104-3212	4	Clamp-Line, Fuel
14	104-3213	1	Line-Fuel
15	33024-00	4	Nut-Lock
16	33094-00	4	Washer-Plain
17	33114-035	4	Screw-HH
18	104-3222	1	Cover-Front
19	104-2931	2	Washer-Flat
20	106-5763	2	Screw
21	104-2979	4	Washer-Flat
22	104-2927	4	Washer-Spring

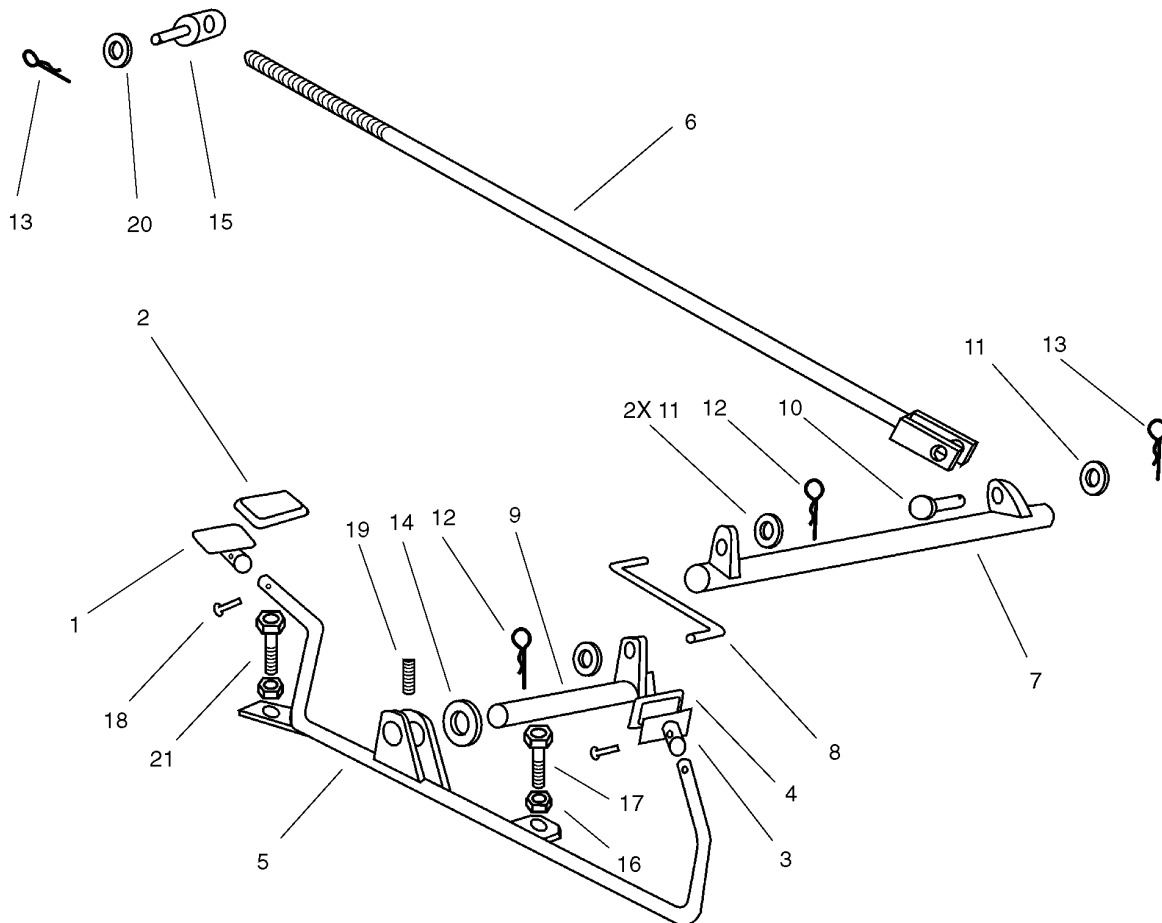
Ref	Part No.	Qty.	Description
23	33114-020	4	Screw-HH
27	106-5763	4	Screw
28	104-3229	1	Muffler
29	104-3214	1	Guard-Muffler, LH
30	104-3215	1	Guard-Muffler, RH
35	33013-00	1	Nut-Hex
36	104-3186	1	Washer-Spring
37	33113-016	1	Screw-HH
40	104-3220	1	Tank-Fuel W/Cap
41	104-2902	1	Decal-Engine 17Hp
42	105-1242	1	Cover-Manifold, Exhaust



Operation Brake By-Pass Assembly

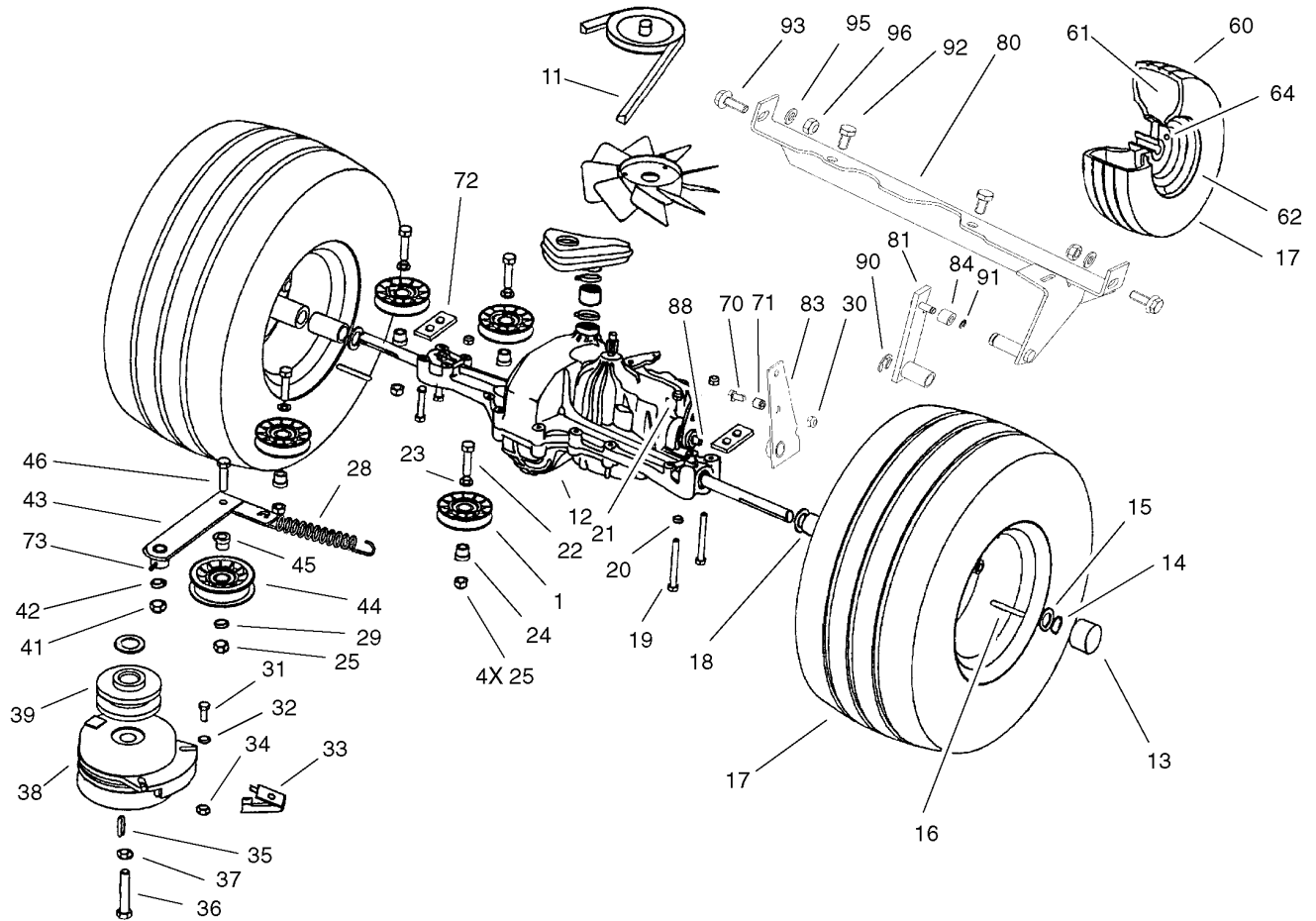
Ref	Part No.	Qty.	Description
1	104-2992	1	Lever-Spring
2	104-2984	1	Washer
3	104-2985	1	Nut-Hex
4	33094-00	5	Washer-Plain
5	104-2993	1	Bracket-Rod, Brake
6	104-2994	1	Pin-Spring
7	104-2995	1	Rod-Lever, Bypass
8	104-3324	1	Lever-Bypass
9	104-3193	2	Washer
10	104-2997	1	Pin-Cotter
11	104-2998	1	Pad-Pedal
12	104-2999	1	Pedal
14	33024-00	2	Nut-Lock
15	104-3002	1	Spring-Brake
16	104-3003	1	Rod-Connecting, Brake
17	104-3004	1	Shaft-Brake
18	104-3005	1	Spring-Brake, Hand
19	104-3006	1	Lever-Brake, Hand
20	33114-020	1	Screw-HH
21	104-3007	1	Clamp-Lever, Parking Brake
22	104-3008	1	Pin-Spring
23	104-3009	1	Screw-Hex
24	104-3016	2	Pin-Cotter
25	104-3011	1	Bracket-Rod, Brake

Ref	Part No.	Qty.	Description
26	104-3012	1	Spring
27	104-3323	1	Plate-Bypass
28	104-3014	2	Stirrup
29	104-3015	1	Stirrup
30	33095-00	2	Washer-Flat
31	104-3247	1	Cap
32	106-5768	1	Washer
33	106-5769	1	Washer
34	106-5770	3	Washer
35	106-5771	2	Washer



Operation Travel Pedals Assembly

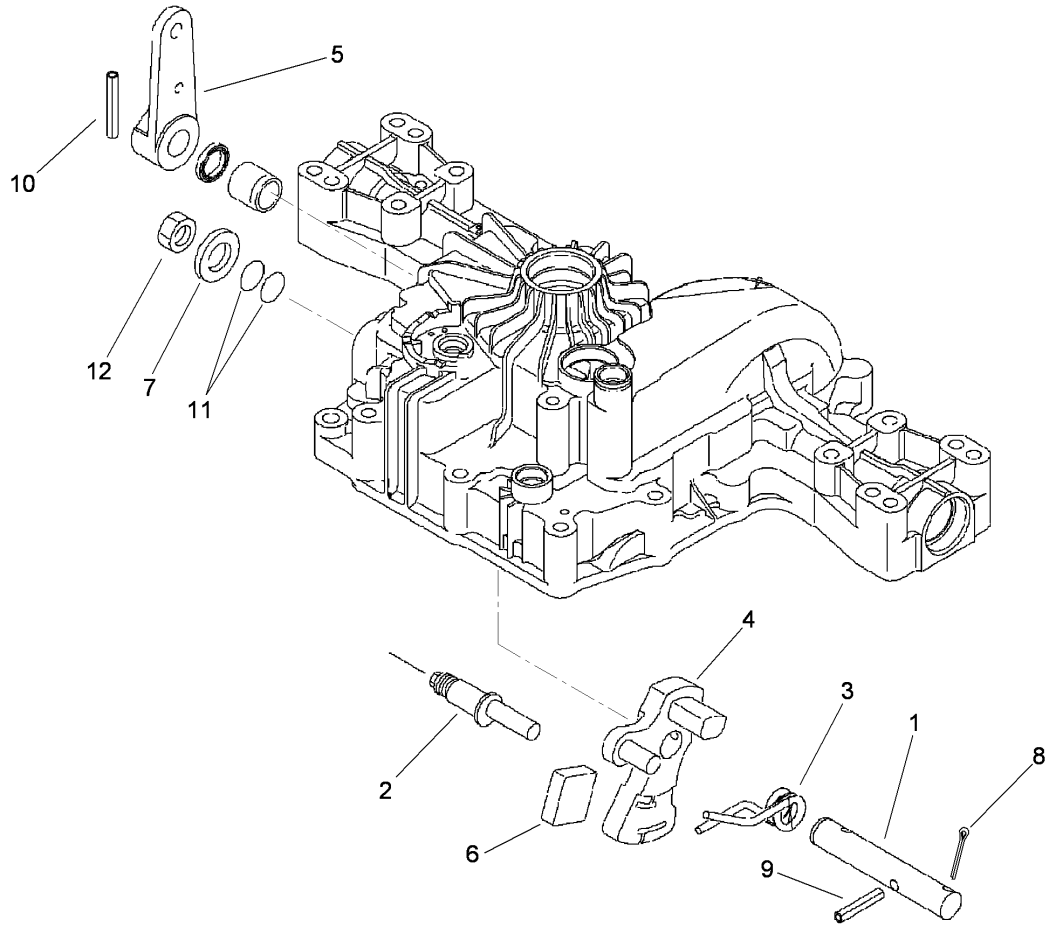
Ref	Part No.	Qty.	Description
1	104-3017	1	Pedal-Rear, Travel
2	104-3018	1	Pad-Pedal
3	104-3019	1	Pedal-Travel, Front
4	104-3020	1	Pad-Pedal, Front
5	104-3021	1	Pad-Travel
6	104-3022	1	Rod-Tie
7	104-3023	1	Shaft-Diagonal
8	104-3024	1	Link-Formed
9	104-3025	1	Shaft-Diagonal
10	104-3026	1	Pin
11	33095-00	3	Washer-Flat
12	104-3016	2	Pin-Cotter
13	104-3027	2	Pin-Cotter
14	104-3028	1	Spacer
15	104-3029	1	Pin
16	33014-00	2	Nut-Hex
17	43-3220	1	Capscrew-HH
18	104-3008	2	Pin-Spring
19	104-3030	1	Pin-Spring
20	104-3031	1	Washer
21	33114-025	1	Screw-HH



Transmission Drive Assembly

Ref	Part No.	Qty.	Description
1	104-2887	4	Pully-Idler
11	104-2888	1	V-Belt-Traction
12	104-2889	1	Transmission
13	104-2857	2	Cap-Hub
14	104-2891	2	Clip-Spring
15	104-3206	4	Washer
16	104-2892	2	Key-Square
17	104-2893	2	Rear Wheel Tyre ASM
18	104-2895	2	Spacer-Axle
19	33114-080	4	Screw-HH
20	33094-00	8	Washer-Plain
21	33024-00	4	Nut-Lock
22	33115-040	4	Screw-HH
23	33095-00	4	Washer-Flat
24	104-2896	4	Bushing-Idler
25	33025-00	5	Nut-Lock
28	104-2897	1	Spring
29	33095-00	1	Washer-Flat
30	33025-00	1	Nut-Lock
31	33114-020	1	Screw-HH
32	33094-00	1	Washer-Plain
33	104-2898	1	Retainer
34	33024-00	1	Nut-Lock
35	104-2899	1	Key-Square

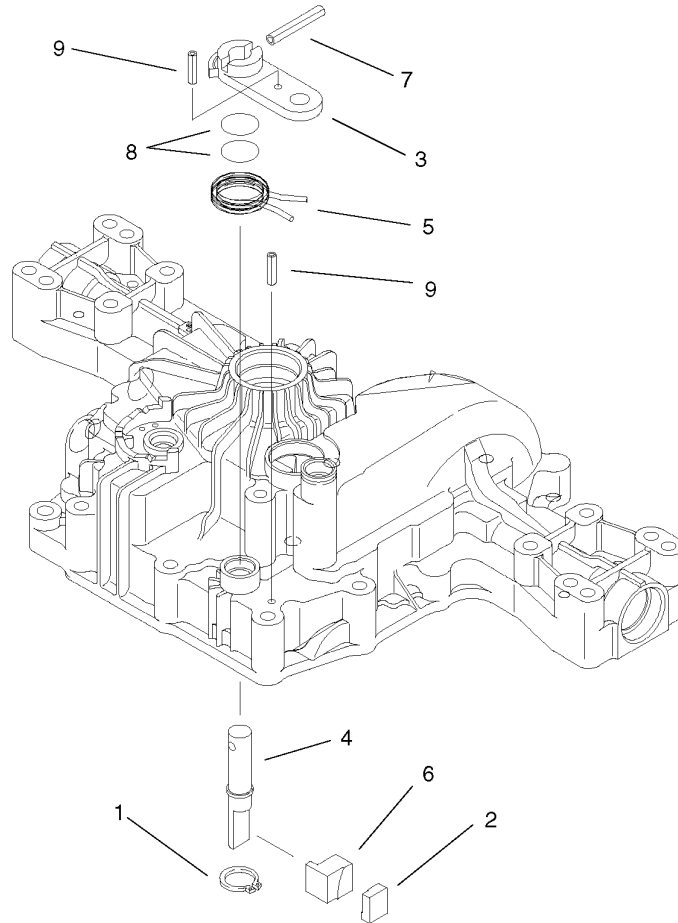
Ref	Part No.	Qty.	Description
36	3212-10	1	Screw-HH
37	93-9043	1	Washer-Spring, Belleville
38	104-3334	1	Clutch-Electric
39	104-2911	1	Pulley-Engine
41	33024-00	1	Nut-Lock
42	33094-00	1	Washer-Plain
43	104-2912	1	Arm-Idler
44	104-2913	1	Pulley-Idler
45	104-2896	1	Bushing-Idler
46	33115-040	1	Screw-HH
60	104-2916	2	Tire-Turf Saver
61	104-2918	2	Tube
62	104-2920	2	Wheel ASM
64	104-2922	8	Nut-Wheel
70	33115-045	1	Screw-HH
71	104-2925	1	Sleeve
72	104-3343	2	Plate-Reinforcing
73	104-2904	1	Fitting-Grease
80	104-3327	1	Bar ASM
81	104-3328	1	Arm-Switch
83	104-3326	1	Tenon
84	104-3329	1	Roller
88	104-3342	1	Arm-Transaxle
90	104-3341	1	Stirrup



Control Shaft Assembly

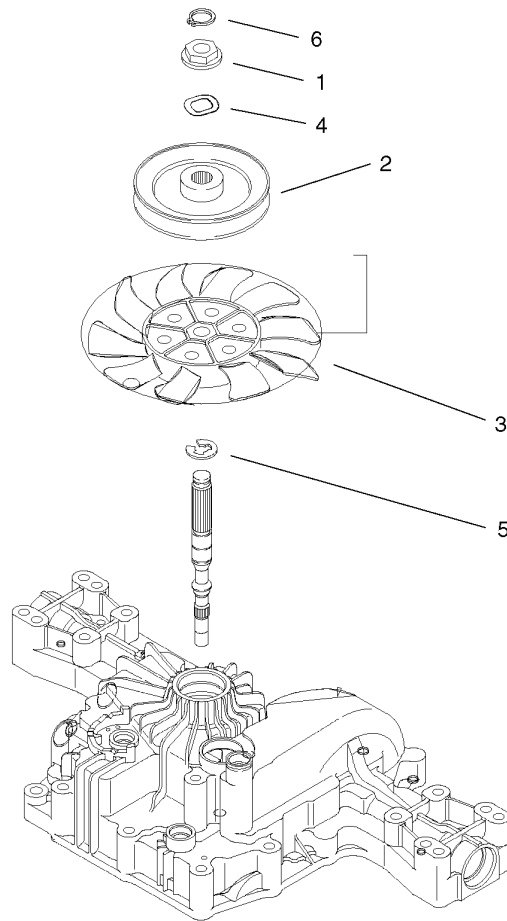
Ref	Part No.	Qty.	Description
1	114-3181	1	Shaft-Control
2	104-3292	1	Fulcrum-Eccentricity
3	104-3293	1	Spring-Torsion
4	114-3180	1	Arm-Control
5	104-3295	1	Lever-Control
6	104-3296	1	Plate-Jerky
7	93-0417	1	Washer
8	114-3182	1	Pin-Cotter
9	104-3297	1	Pin
10	93-0411	1	Pin-Roll
11	104-3298	2	Packing
12	93-0420	1	Nut

--	--	--	--



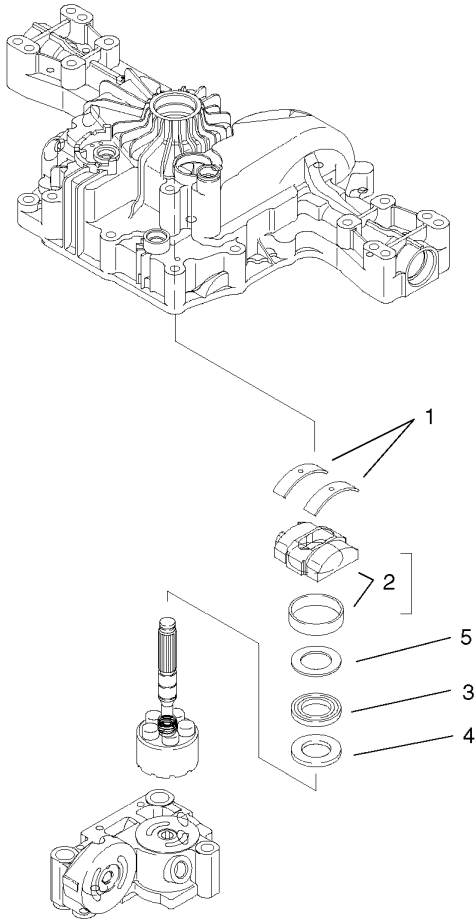
Brake Assembly

Ref	Part No.	Qty.	Description				
1	104-3313	1	Ring				
2	104-3314	1	Shoe-Brake				
3	104-3315	1	Arm-Brake				
4	104-3316	1	Shaft-Brake				
5	104-3317	1	Spring-Return, Brake				
6	104-3318	1	Actuator-Brake				
7	92-0767	1	Pin				
8	92-0786	2	O-Ring				
9	104-3319	2	Pin				



Fan Pulley Assembly

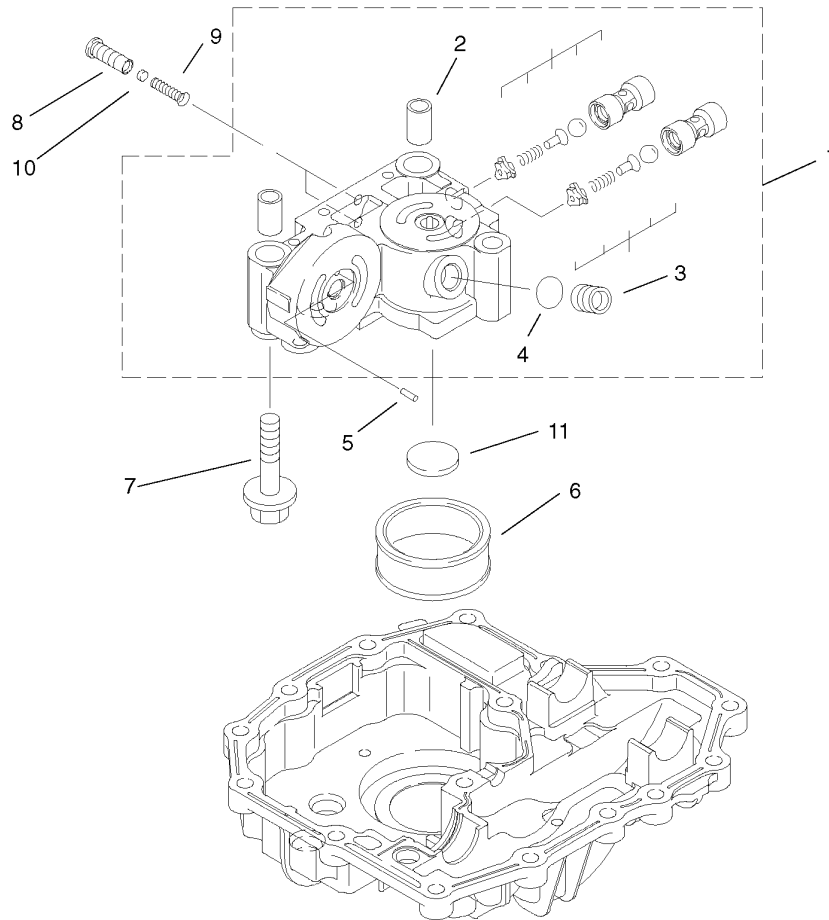
Ref	Part No.	Qty.	Description				
1	104-3320	1	Collar-Spline				
2	104-3197	1	Pulley-Transmission				
3	104-3199	1	Fan- Transmission				
4	104-3321	1	Washer-Lock				
5	93-0387	1	E-Ring				
6	104-3198	1	E-Ring				



Range Shift Assembly

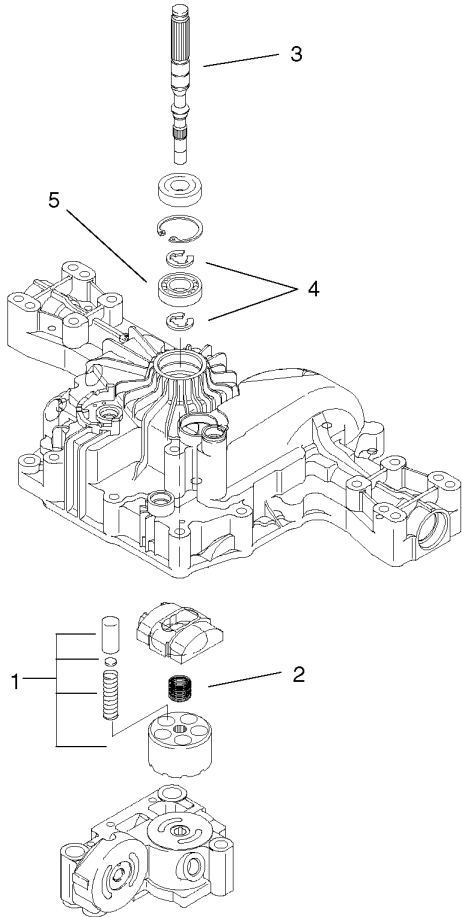
Ref	Part No.	Qty.	Description
1	104-3286	2	Metal-Thrust
2	104-3287	1	Plate-Swash
3	104-3288	1	Bearing
4	104-3289	1	Plate-Thrust, A
5	104-3290	1	Plate-Thrust, B

--	--	--	--



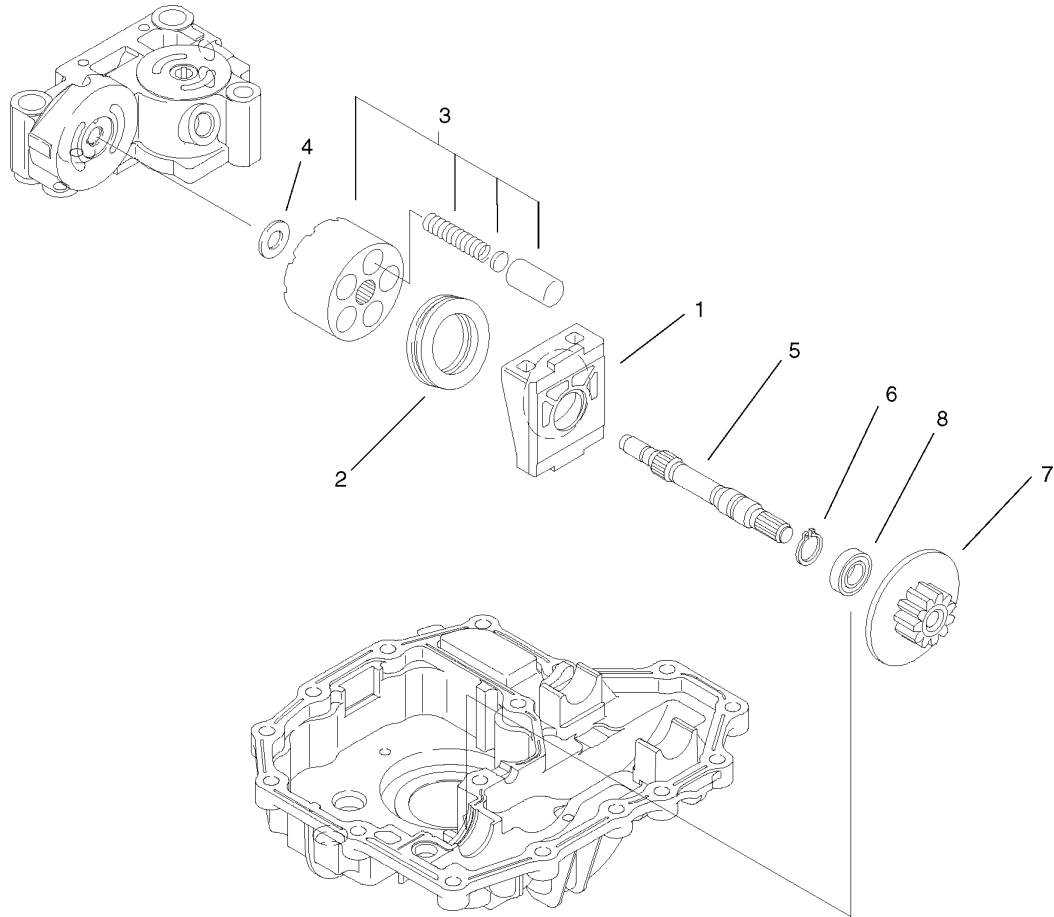
Center Case Assembly

Ref	Part No.	Qty.	Description				
1	104-3267	1	Case-Center				
2	104-3268	2	Pin-Knock				
3	104-3269	1	Plug				
4	93-0419	1	Packing				
5	104-3270	1	Pin				
6	104-3271	1	Filter				
7	104-3272	3	Bolt				
8	104-3273	2	Valve				
9	104-3274	2	Spring				
10	104-3275	2	Filter				
11	104-3257	1	Magnet				



Pump Shaft Assembly

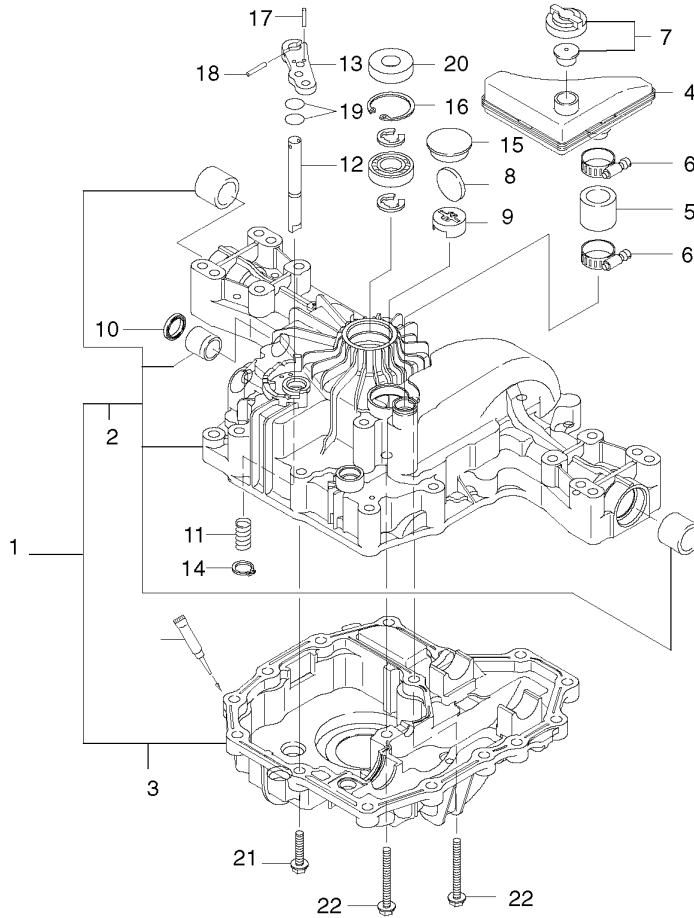
Ref	Part No.	Qty.	Description				
1	104-3276	1	Block-Cylinder				
2	104-3277	1	Spring-Pump				
3	104-3278	1	Shaft-Pump				
4	93-0387	2	E-Ring				
5	93-0374	1	Bearing-Ball				



Motor Shaft Assembly

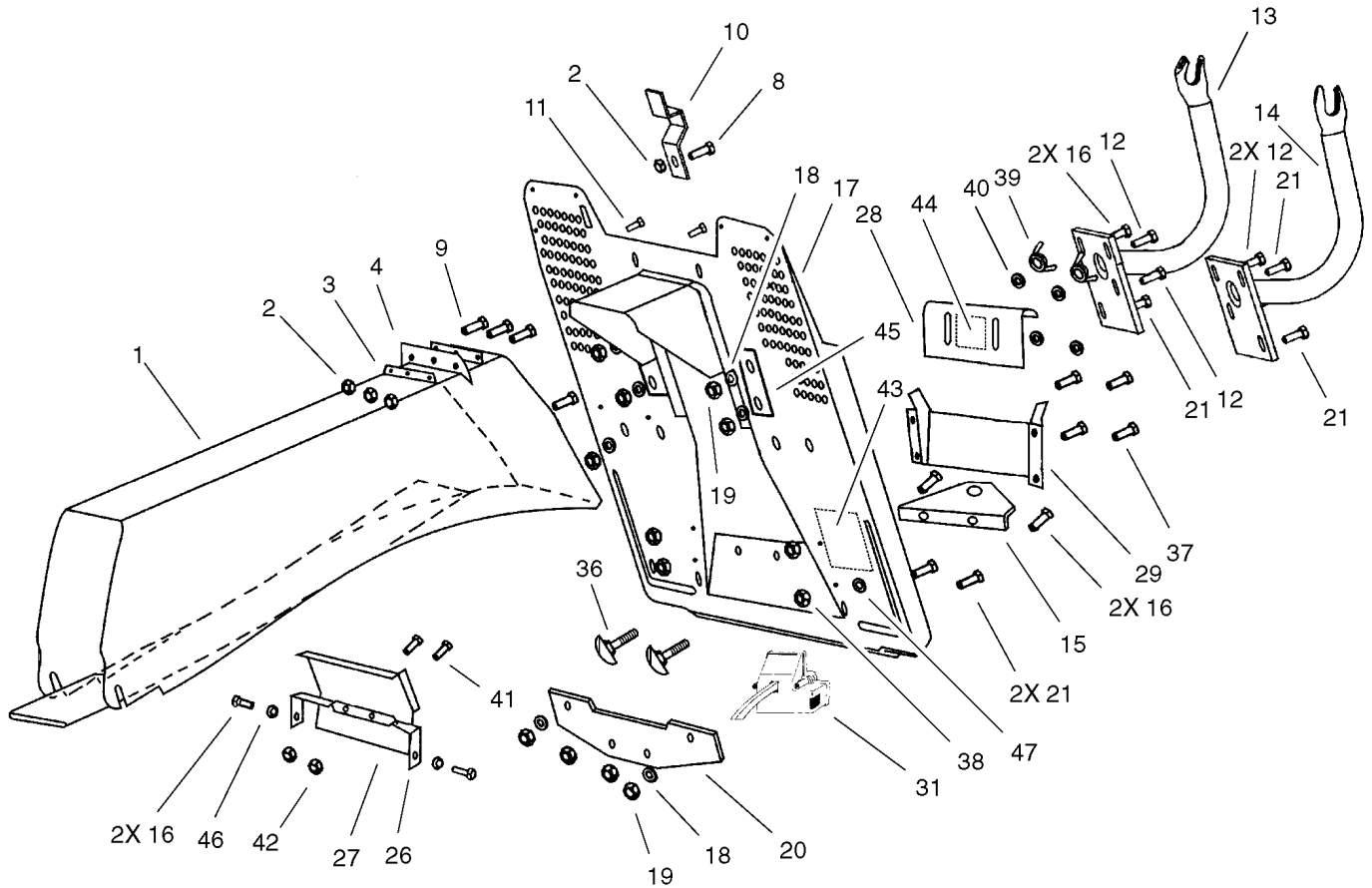
Ref	Part No.	Qty.	Description
1	104-3279	1	Housing
2	104-3280	1	Bearing
3	104-3281	1	Block-Cylinder
4	104-3282	1	Washer
5	104-3283	1	Shaft-Motor
6	93-0373	1	Ring-Snap
7	104-3284	1	Motor-Gear
8	104-3285	1	Bearing

--	--	--	--



Transaxle Case Assembly

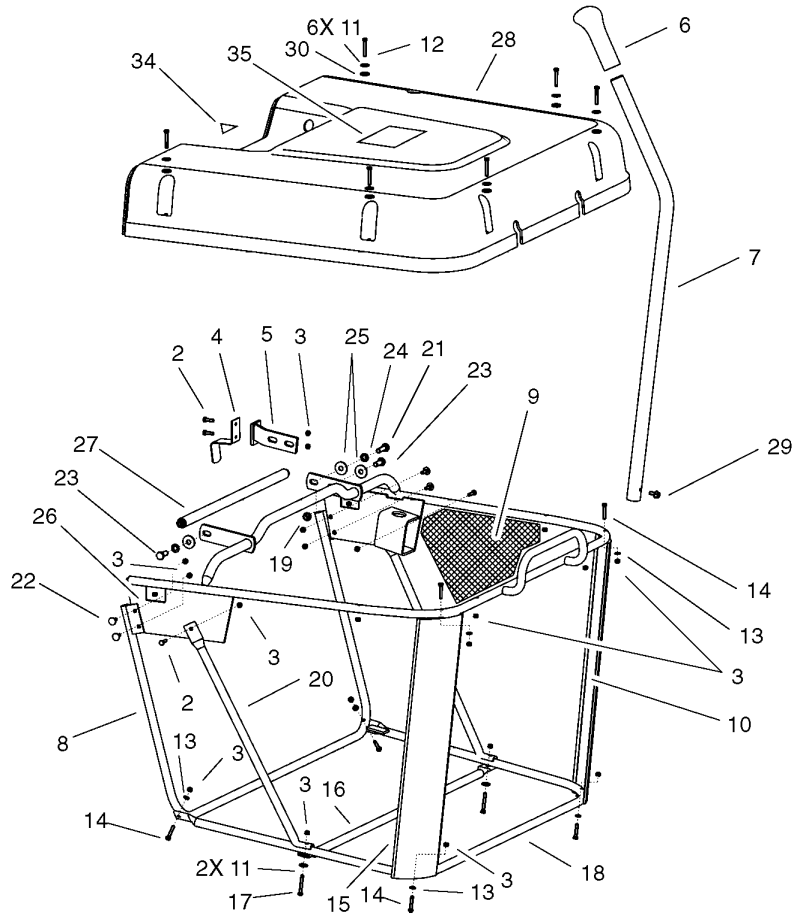
Ref	Part No.	Qty.	Description				
1	104-3251	1	Transaxle Case Set				
2	104-3252	1	Housing-Upper				
3	104-3253	1	Housing-Lower				
4	104-2914	1	Tank-Reservoir, With Cap				
5	104-3254	1	Tube				
6	104-3255	2	Clamp-Miniature				
7	104-3256	1	Valve-Vent, 15				
8	104-3257	1	Magnet				
9	104-3258	1	Holder-Magnet				
10	104-3259	1	Seal-Oil				
11	93-0396	1	Spring				
12	104-3260	1	Shaft-Bypass				
13	104-3261	1	Lever-Bypass				
14	104-3262	1	Ring				
15	104-3263	1	Plug-Bore				
16	93-0360	1	Ring				
17	104-3264	1	Pin				
18	104-3265	1	Pin				
19	93-0419	2	Packing				
20	93-0361	1	Seal				
21	93-0363	14	Screw-TAP				
22	104-3266	2	Screw-TAP				



Chute Collector Assembly

Ref	Part No.	Qty.	Description
1	104-3054	1	Tunnel
2	104-2985	4	Nut-Hex
3	104-3055	1	Plate-Support
4	104-3056	1	Seal-Rubber
8	104-2983	1	Screw
9	104-3058	3	Screw-SFH
10	104-3059	1	Cover-Switch
11	104-3060	2	Bolt-Carriage
12	104-3061	4	Screw
13	104-3062	1	Support-Collector, Right
14	104-3063	1	Support-Collector, Left
15	104-3064	1	Hitch-Tow
16	104-3065	6	Screw-Hex
17	104-3066	1	Collector Plate ASM
18	33095-00	6	Washer-Flat
19	33024-00	10	Nut-Lock
20	104-3067	1	Support-Hitch, Tow
21	104-3068	5	Screw-Hex
26	104-3069	1	Bracket-Shield, Protective
27	104-3070	1	Shield-Protective
28	104-3336	1	Shield-Adjustable
29	104-3335	1	Hopper-Receiving
31	104-3074	1	Overload Switch ASM
36	104-2961	2	Screw

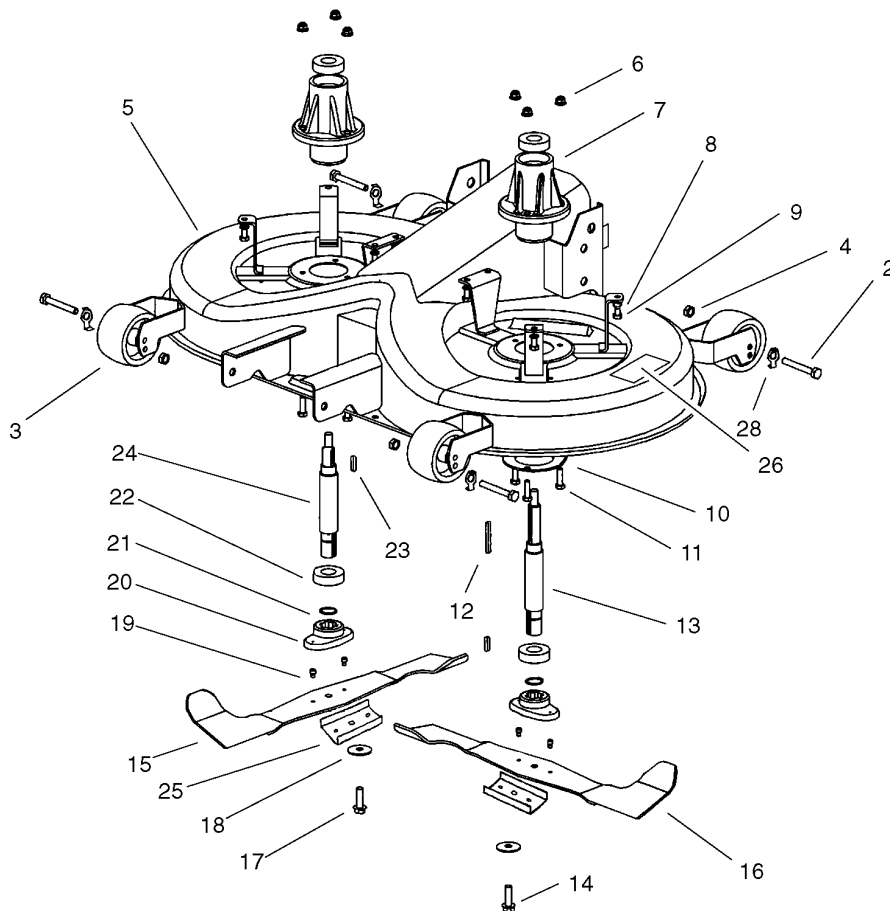
Ref	Part No.	Qty.	Description
37	33113-012	4	Screw-HH
38	33023-00	4	Nut-Lock
39	32103-28	2	Nut-Wing
40	33093-00	2	Washer-Flat
41	104-2948	2	Bolt-Carriage
42	87-5140	2	Nut-Lock
43	104-3243	1	Decal-Bypass, Hydro
44	104-2853	1	Decal-Position, Bagging
45	104-3347	2	Plate-Reinforcing
46	104-3348	2	Washer-Spring
47	106-5772	1	Bushing



Grass Collector Assembly

Ref	Part No.	Qty.	Description
1	106-5760	1	Collector ASM
2	60-6910	2	Screw
3	87-5140	22	Nut-Lock
4	104-3033	1	Spring-Coll, Interlock Switch
5	106-5761	1	Bracket-Spring
6	104-3035	1	Grip-Handle
7	104-3036	1	Lever-Dumping
8	104-3037	1	Front Frame ASM
9	104-3038	1	Bag-Grass
10	104-3039	1	Support-Corner, Right
11	104-2943	8	Washer-Flat
12	104-2981	6	Screw
13	52-6430	14	Washer
14	104-3041	4	Screw-Hex
15	104-3042	1	Support-Corner, Left
16	104-3043	1	Brace-Connecting
17	104-3044	2	Screw-Hex
18	104-3045	1	Bottom Frame ASM
19	33024-00	1	Nut-Lock
20	104-3046	2	Brace
21	33114-025	1	Screw-HH
22	104-2948	4	Bolt-Carriage
23	33114-020	2	Screw-HH
24	104-2927	2	Washer-Spring

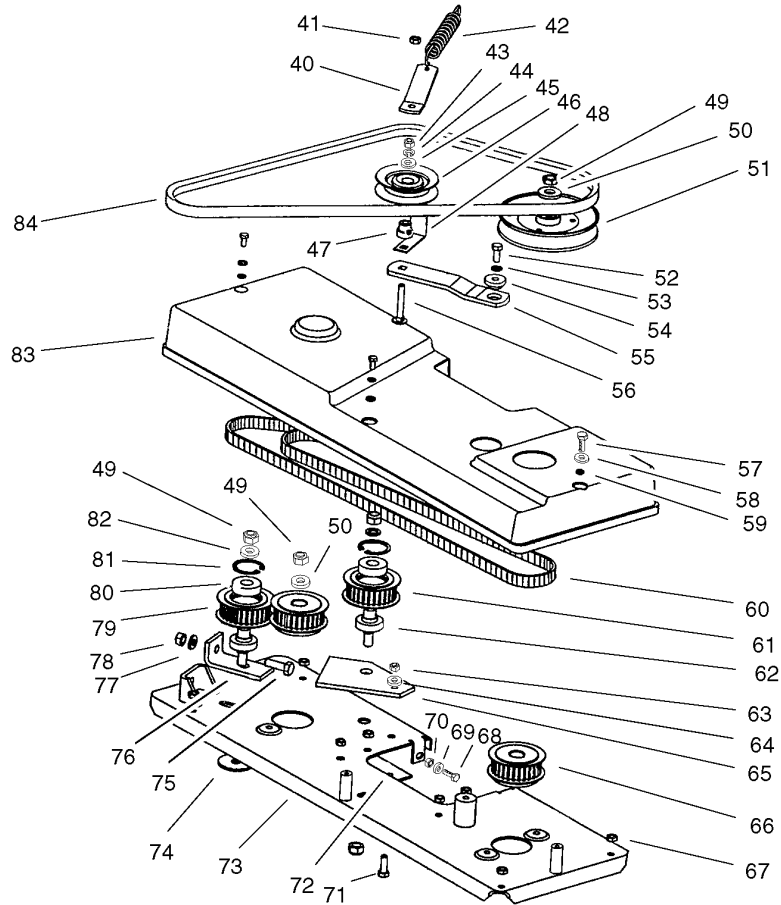
Ref	Part No.	Qty.	Description
25	104-2946	4	Washer-Plain
26	104-3047	1	Top Frame ASM
27	104-3048	1	Handle-Lift
28	106-5762	1	Cover-Collector
29	106-5763	1	Screw
30	104-2952	6	Washer-Rubber
34	104-3242	1	Decal-Bag To Frame
35	104-3322	1	Decal - Horsehead



Operation Cutting Pan Assembly

Ref	Part No.	Qty.	Description
1	104-3079	1	Cutting System Complete
2	33115-090	4	Screw-HH
3	104-3080	4	Wheel-Gauge
4	33025-00	4	Nut-Lock
5	104-3081	1	Mower Housing Complete
6	104-3082	6	Nut-Lock, HF
7	104-3083	2	Housing-Quill
8	33094-00	8	Washer-Plain
9	33114-020	8	Screw-HH
10	104-3084	2	Support-Ring
11	104-3085	6	Bolt-HHF
12	104-3086	1	Key
13	104-3087	1	Shaft-Left Blade
14	104-3088	1	Screw-Hex
15	104-3089	1	Blade-Right
16	104-3090	1	Blade-Left
17	104-3091	1	Screw-Hex Left
18	104-3092	2	Washer-Belleville
19	104-3093	4	Pin-Shear, Grooved
20	106-4185	2	Adapter-Blade
21	104-3095	2	Ring-Locking
22	104-3096	4	Bearing
23	104-3097	3	Key-Square
24	104-3098	1	Shaft-Right Blade

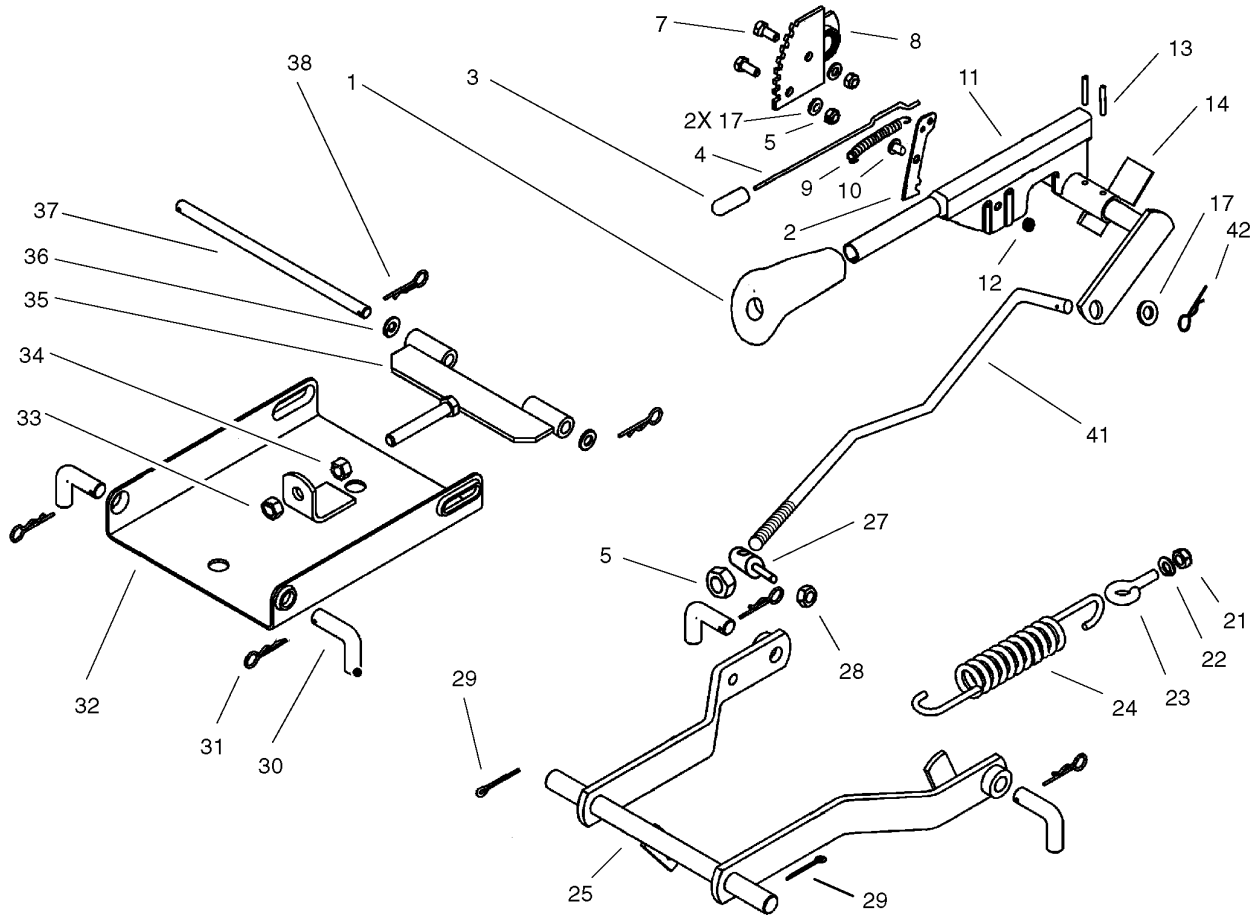
Ref	Part No.	Qty.	Description
25	104-3207	2	Stiffener-Blade
26	93-7824	2	Decal-Danger
28	106-5767	4	Washer



Cutting Pan Assembly

Ref	Part No.	Qty.	Description
40	104-3099	1	Lever-Engagement
41	33024-00	1	Nut-Lock
42	104-3101	1	Spring
43	104-3102	1	Nut-Hex
44	104-2927	1	Washer-Spring
45	104-2946	1	Washer-Plain
46	104-3103	1	Pulley-Idler
47	104-3104	1	Bushing
48	104-3105	1	Retainer-Belt
49	33026-00	6	Nut-Lock
50	104-3106	2	Washer-Flat
51	104-3107	1	Pulley-Drive
52	33114-025	1	Screw-HH
53	104-2927	1	Washer-Spring
54	104-3108	1	Spacer-Shoulder
55	104-3109	1	Arm-Idler
56	33114-050	1	Screw-HH
57	33113-016	3	Screw-HH
58	104-3110	3	Washer-Flat
59	104-3111	3	Washer-Rubber
60	104-3112	1	Belt-Cog
61	104-3113	2	Cog Pulley ASM
62	104-3114	2	Pin-Pulley, Cog
63	33024-00	1	Nut-Lock

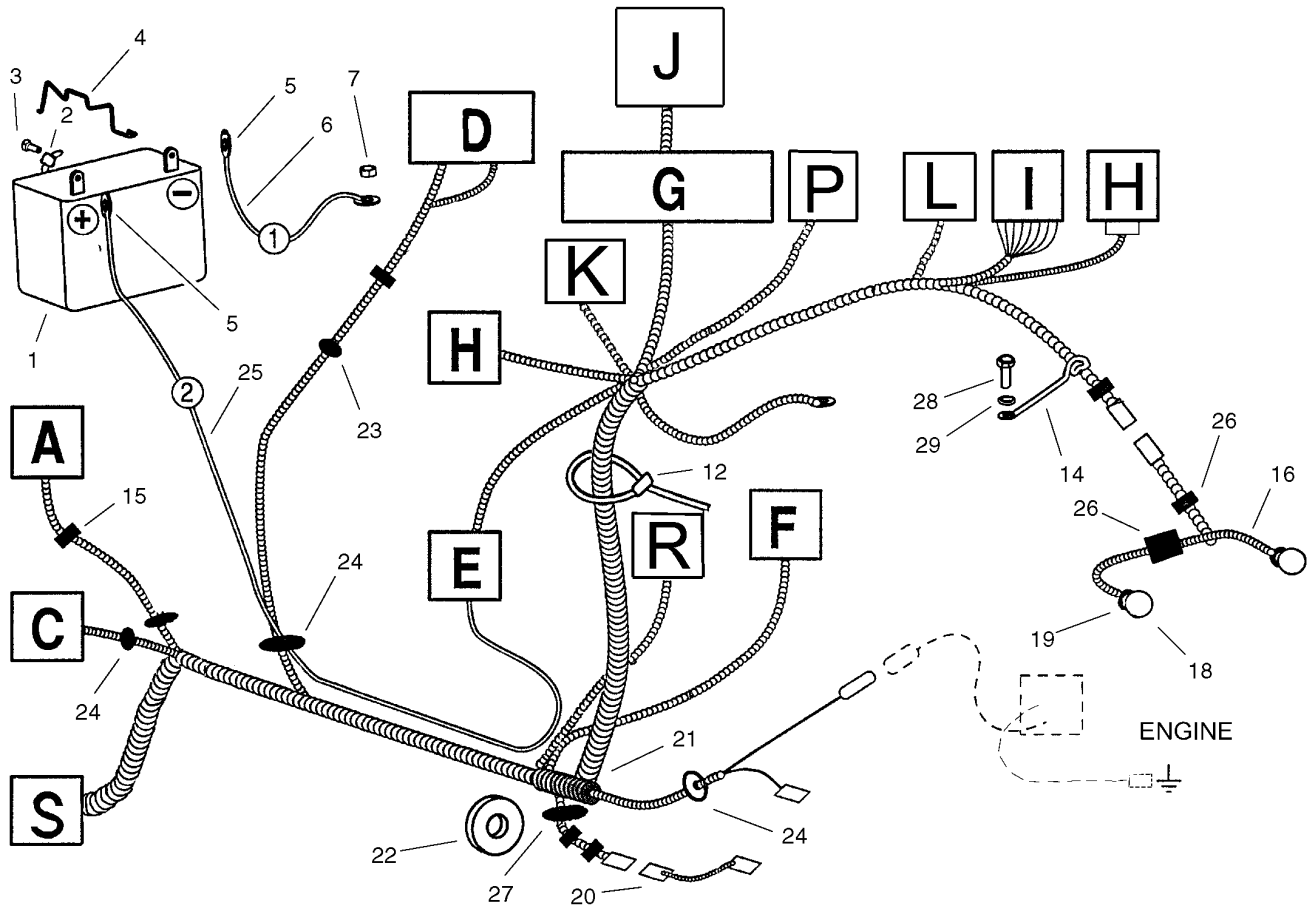
Ref	Part No.	Qty.	Description
64	33094-00	1	Washer-Plain
65	104-3115	1	Support-Pulley
66	104-3116	2	Pulley-Cog, Drive
67	33024-00	8	Nut-Lock
68	104-2961	1	Screw
69	33093-00	1	Washer-Flat
70	33023-00	1	Nut-Lock
71	33114-025	1	Screw-HH
72	104-3117	1	Plate-Anchor
73	104-3118	1	Blade Drive Plate ASM
74	104-2909	1	Washer
75	104-3119	1	Screw-Hex
76	104-3120	1	Bracket-Idler
77	33095-00	1	Washer-Flat
78	33025-00	1	Nut-Lock
79	104-3121	2	Pulley-Cog
80	104-3122	2	Bearing
81	104-3123	2	Ring-Locking
82	104-3124	4	Washer-Flat
83	104-3125	1	Cover-Belt
84	104-3127	1	V-Belt



Operation Mower Lift Assembly

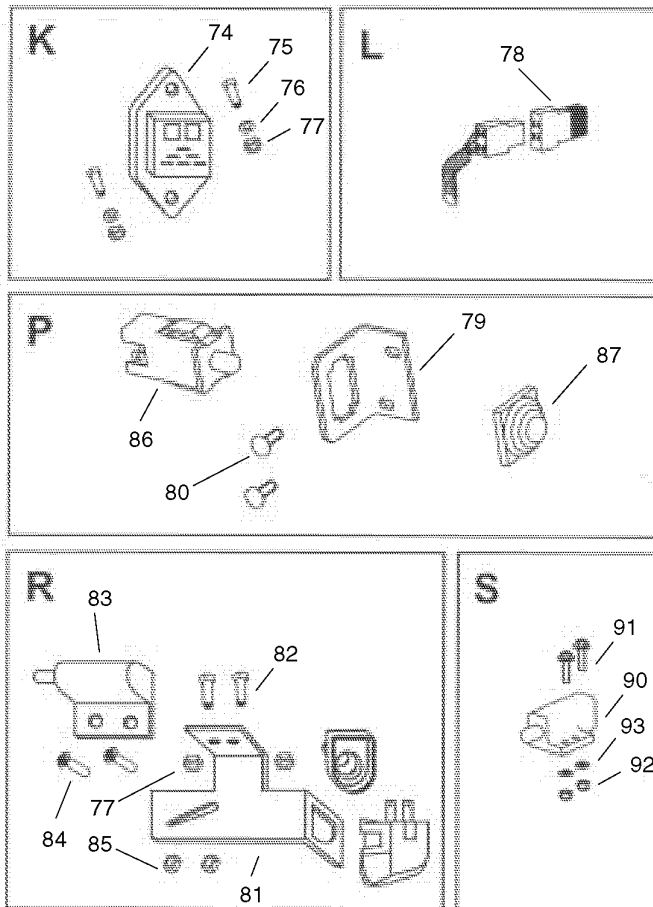
Ref	Part No.	Qty.	Description
1	104-3129	1	Grip-Handle
2	104-3130	1	Ratchet-Plate, Pivot
3	104-3131	1	Button-Plunger
4	104-3132	1	Rod-Connection
5	33024-00	3	Nut-Lock
7	33114-020	2	Screw-HH
8	104-3133	1	Segment-Gear
9	104-3134	1	Spring
10	104-3135	1	Pin-Arm Lever
11	104-3136	1	Lever-Arm, Height Adj.
12	104-3137	1	Clip-Pin
13	104-2994	2	Pin-Spring
14	104-3138	1	Shaft-Height Adj.
17	33094-00	3	Washer-Plain
21	33025-00	1	Nut-Lock
22	33095-00	1	Washer-Flat
23	104-3139	1	Bolt-Eye
24	104-3140	1	Spring-Lift
25	104-3141	1	Pivot Arm ASM
27	104-3142	1	Pin-Lifting
28	33025-00	1	Nut-Lock
29	104-3016	2	Pin-Cotter
30	104-3143	4	Pin-Bent
31	104-3144	4	Pin-Hair

Ref	Part No.	Qty.	Description
32	104-3145	1	Suspension-Mower Deck, Front
33	33026-00	1	Nut-Lock
34	33016-00	1	Nut-Hex
35	104-3146	1	Holder-Front
36	104-3124	2	Washer-Flat
37	104-3147	1	Pin
38	104-3148	2	Clip-Hair Pin
41	104-3149	1	Rod-Height Adj.
42	104-3151	1	Pin-Cotter



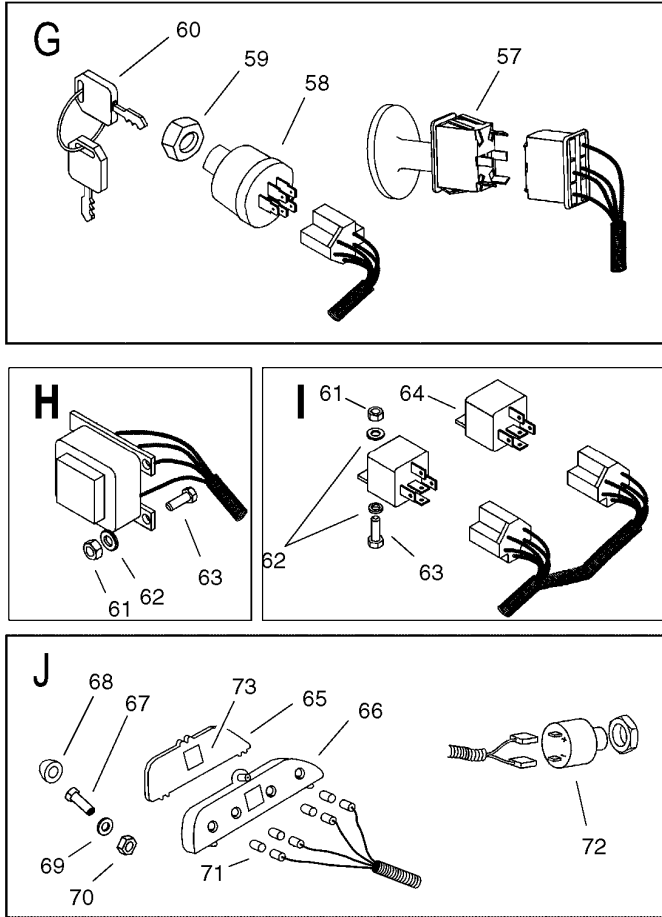
Electrical Assembly

Ref	Part No.	Qty.	Description
1	104-3152	1	Battery-12V
2	32128-32	2	Nut-HHF
3	33113-020	2	Screw-HH
4	104-3153	1	Clamp-Battery
5	104-3154	2	Boot-Rubber
6	104-3155	1	Cable-Battery, Negative
7	33024-00	3	Nut-Lock
12	3334-945	3	Tie-Cable
14	104-3156	1	Holder- Harness, Wiring
15	104-3157	11	Clip-Snap
16	88-4320	1	Harness-Wire, Lights
18	104-3158	2	Bulb-Light
19	104-3159	2	Socket-Light
20	104-3160	1	Harness-Clutch
21	104-3337	1	Harness-Wiring
22	104-3163	1	Cap
23	104-3164	1	Bushing
24	104-3165	3	Bushing
25	104-3166	1	Cable-Battery Positive
26	104-3167	2	Clip-Nylon
27	104-3168	1	Bushing
28	33114-020	1	Screw-HH
29	33094-00	1	Washer-Plain



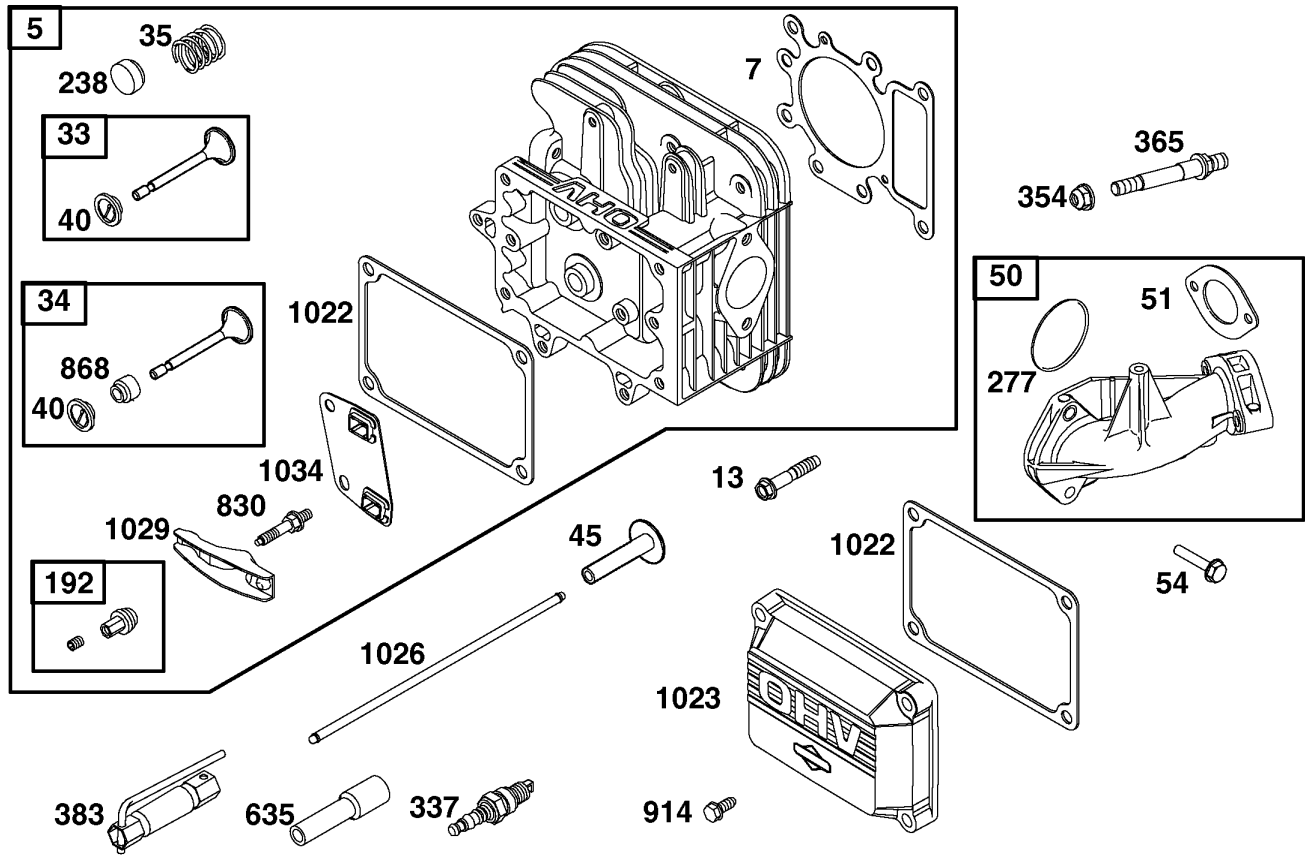
Electrical Assembly (continued)

Ref	Part No.	Qty.	Description
74	99-3701	1	Module-Clutch
75	60-6910	2	Screw
76	52-6430	2	Washer
77	87-5140	2	Nut-Lock
78	104-3169	1	Circuit-Memory
79	104-3333	1	Holder-Switch
80	104-3190	2	Screw
81	104-3332	1	Holder-Switch
82	104-2980	2	Screw
83	95-1653	1	Switch-Pole, Single
84	104-2983	2	Screw
85	104-2985	2	Nut-Hex
86	104-3338	1	Switch-Delta
87	104-3339	1	Cover-Switch
90	104-3330	1	Switch-Delta
91	104-3331	2	Bolt
92	46-0430	2	Nut-Lock
93	52-6430	2	Washer



Electrical Assembly (continued)

Ref	Part No.	Qty.	Description
57	93-9998	1	Switch-PTO
58	92-6785	1	Switch-Ignition
59	104-3172	1	Nut-Hex
60	62-7770	2	Key-Ignition
61	87-5140	4	Nut-Lock
62	104-2943	6	Washer-Flat
63	104-2978	4	Screw-Hex
64	104-3173	2	Relay
65	92-6707	1	Lens-Dash Lights
66	92-6732	1	Housing-Light, Indicator
67	104-3191	3	Screw
68	104-3174	1	Screw-Cap
69	104-3175	3	Washer
70	104-2985	3	Nut-Hex
71	104-3176	4	Bulb
72	104-3177	1	Buzzer
73	104-3194	1	Decal-Dash

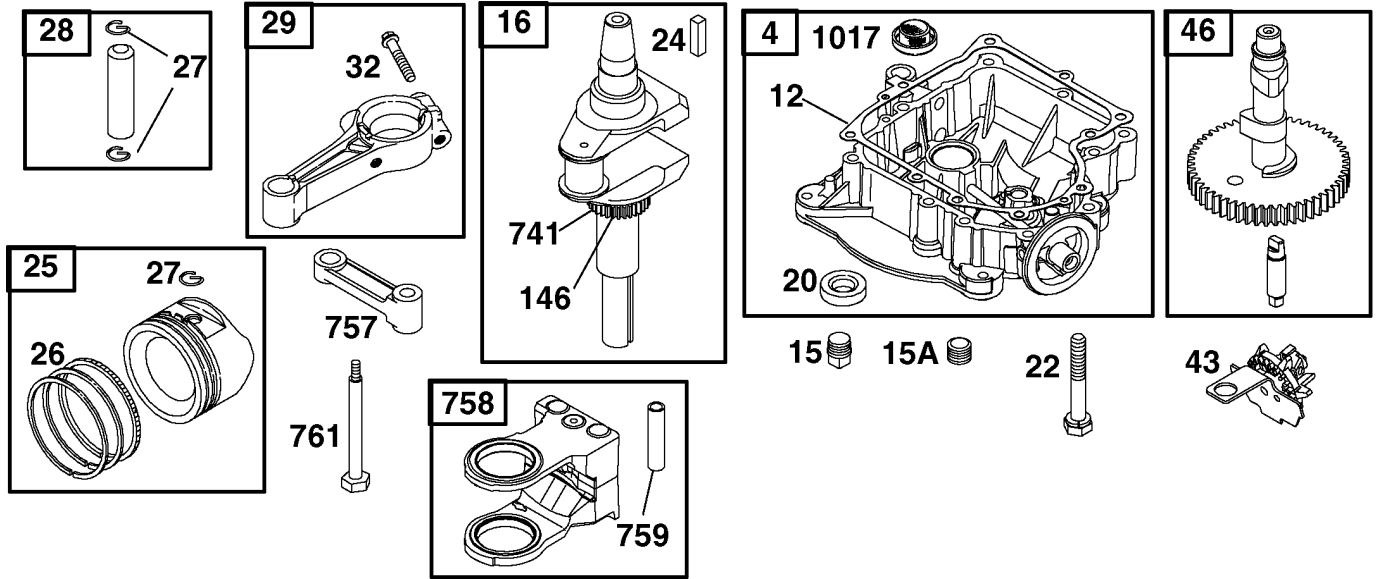


Assemblies include all parts shown in frames.

Cylinder Head Assembly Briggs and Stratton 311777-0151-E1

Ref	Part No.	Qty.	Description
75	690188	1	Cylinder Head
347	692410	1	Gasket-Cylinder Head
7			
713	690360	1	Screw
733	495856	1	Valve-Exhaust
734	495857	1	Valve-Intake
735	691279	1	Spring-Valve
740	224641	1	Retainer-Valve
745	690564	1	Tappet-Valve
750	690193	1	Manifold-Intake
3451	273650	1	Gasket-Intake
56			
754	691148	1	Screw
7192	492160	1	Adjuster-Valve
7238	691843	1	Cap-Valve
35277	692138	1	Seal-O Ring
7			
7337	491055	1	Plug-Spark
7354	94010	1	Nut
7365	690227	1	Stud
7383	89838	1	Wrench-Plug, Spark
7635	280872	1	Boot-Spark Plug
7830	696095	1	Stud (Rocker Arm)
35868	499236	1	Seal-Valve
7			

Ref	Part No.	Qty.	Description
7914	690690	1	Seal-O Ring
351022	272475	1	Gasket-Cover, Rocker
7			
71023	692492	1	Cover-Rocker
71026	494432	1	Guide-Push Rod
7	495136	1	Push Rod (Exhaust)
71029	691751	1	Arm-Rocker
71034	495248	1	Guide-Push Rod

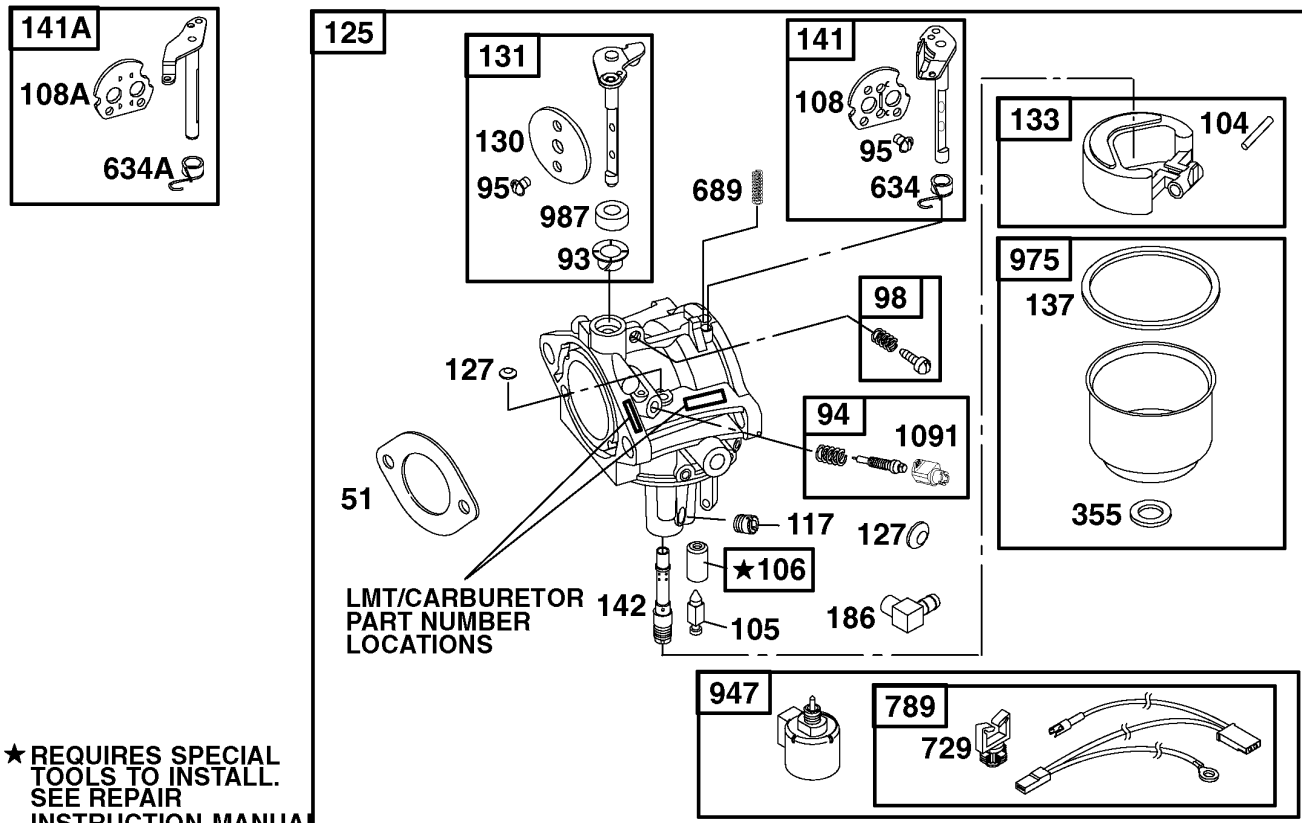


Assemblies include all parts shown in frames.

Crankcase Assembly Briggs and Stratton 311777-0151-E1

Ref	Part No.	Qty.	Description
4	693582	1	Enginesump
12	271916	1	Gasket-Crankcase (1/64")
12	271997	1	Gasket-Crankcase (.005")
12	271996	1	Gasket-Crankcase (.009")
15	94239	1	Plug-Pipe
15A	91488	1	Plug-Oil
16	690136	1	Crankshaft
20	291675	1	Seal-Oil
22	692125	1	Screw
24	222698	1	Key
25	692271	1	Piston Assembly (Standard)
25	692272	1	Piston Assy. (.010" O.S.)
25	692273	1	Piston Assy. (.020" O.S.)
25	692274	1	Piston Assy. (.030" O.S.)
26	690162	1	Ring Set (STD)
26	690164	1	Ring Set (.010" O.S.)
26	690166	1	Ring Set (.020" O.S.)
26	690168	1	Ring Set (.030" O.S.)
26	690168	1	Ring Set (.030" O.S.)
27	691299	1	Lock-Piston Pin
28	498319	1	Pin-Piston (STD.)
28	498320	1	Pin-Piston (.005 O.S.)
29	692419	1	Connecting Rod (STD)
29	499940	1	Connecting Rod (.020" Undersize)

Ref	Part No.	Qty.	Description
32	692852	1	Screw
43	490815	1	Gear-Governor
46	693930	1	Cam Shaft
146	94196	1	Key-Timing
741	691284	1	Gear-Timing
757	213998	1	Link-Countweight
758	692423	1	Counterweight
759	230787	1	Pin-Counterweight
761	691096	1	Screw (Counterweight)
1017	690770	1	Screen-Pump, Oil



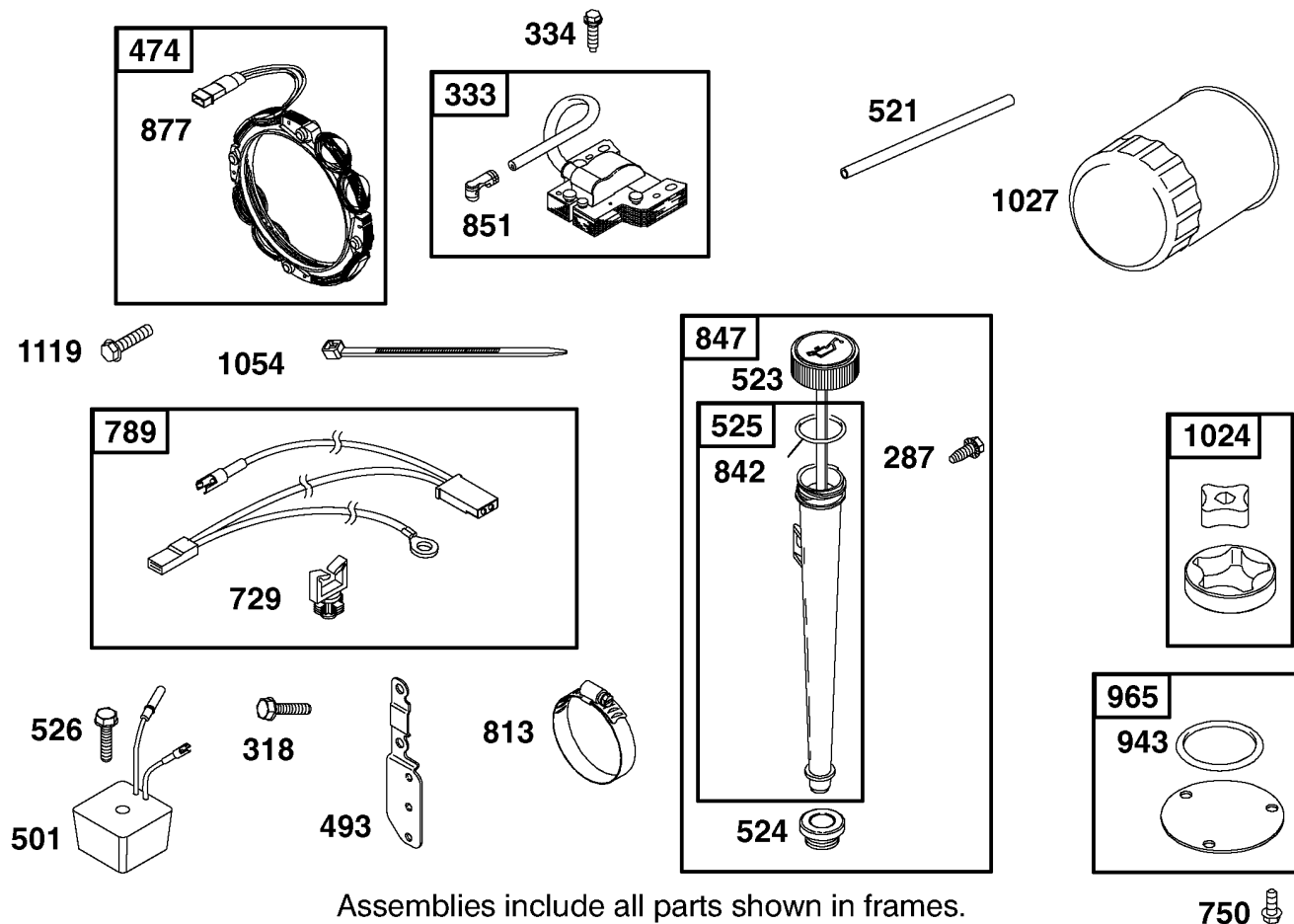
★ REQUIRES SPECIAL TOOLS TO INSTALL. SEE REPAIR INSTRUCTION MANUAL

Assemblies include all parts shown in frames.

Carburetor Assembly Briggs and Stratton 311777-0151-E1

Ref	Part No.	Qty.	Description
3 4 51	273650	1	Gasket-Intake
5 6			
1 7 93	281346	1	Bushing-Throttle
7 94	498030	1	Idle Mixture Kit
1 7 95	94098	1	Valve-Choke
7 98	495800	1	Idle Speed Kit
1 7 104	231789	1	Pin-Hinge, Float
1 7 105	231855	1	Valve-Needle, Float
1 7 106	231854	1	Seat-Inlet
7 108	224558	1	Valve-Choke
7 108A	224540	1	Valve-Choke
1 7 117	232118	1	Jet-Main
7	495136	1	Push Rod (Exhaust)
7 125	499153	1	Carburetor
1 7 127		1	Welch Plug(Sold In Kit Only)
7 130	224539	1	Valve-Throwe
7 131	494379	1	Throttle Shaft Kit
7 133	494381	1	Float-Carburetor
1 6 137	281165	1	Gasket-Bowl, Float
7			
7 141	495097	1	Choke Shaft Kit
7 141A	495931	1	Choke Shaft Kit
1 7 142	232117	1	Carburetor Nozzle
7 186	493496	1	Connector-Fuel

Ref	Part No.	Qty.	Description
1 6 355	281164	1	Washer
7			
1 7 634	494453	1	Seal-Choke Shaft
1 7 634A	494455	1	Seal-Choke Shaft
7 689	262715	1	Friction Spring
7 729	281390	1	Clip-Wire
7 789	497708	1	Wire Stop
7 947	497672	1	Solenoid
7 975	495933	1	Bowl-Float
1 7 987	281166	1	Seal-Shaft
7 1091	691333	1	Cap-Limiter

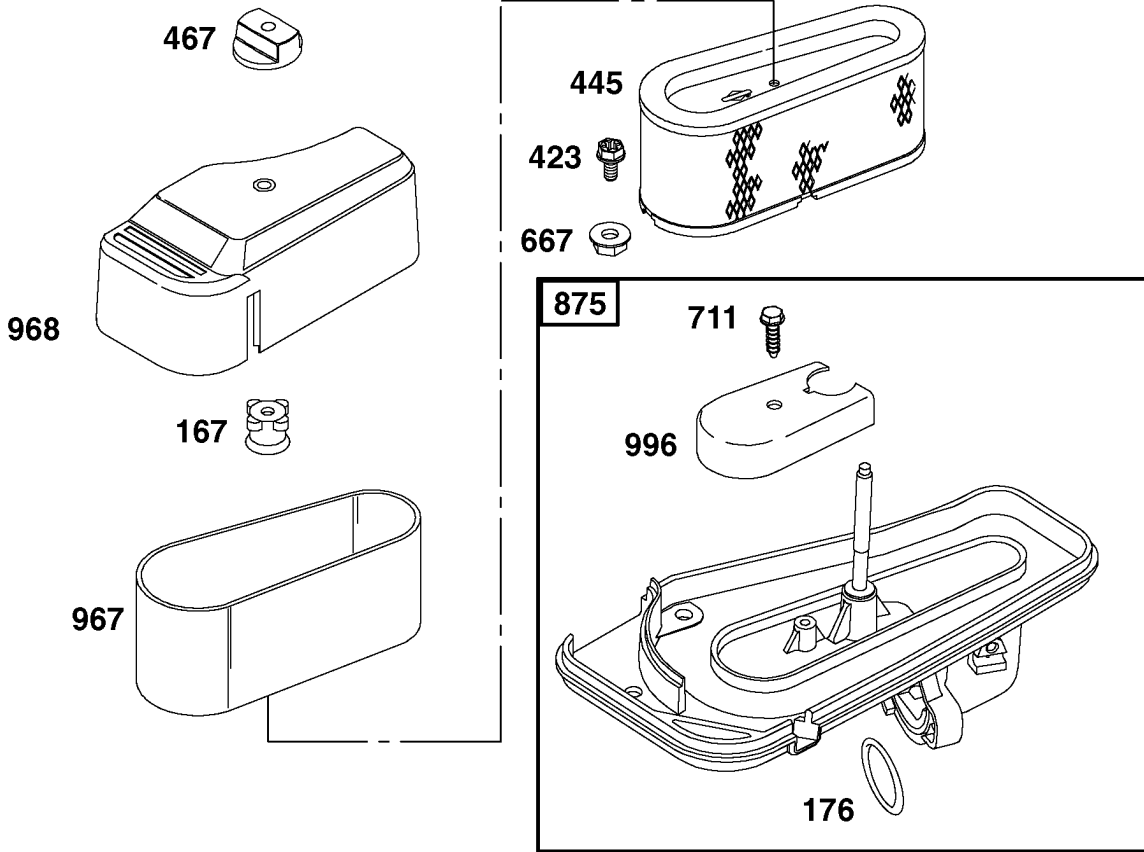


Assemblies include all parts shown in frames.

Oil Filter, Tube, and Pump Assembly Briggs and Stratton 311777-0151-E1

Ref	Part No.	Qty.	Description
⑦287	94903	1	Screw-Shoulder
⑦318	694476	1	Screw
⑦333	495859	1	Armature-Magneto
⑦334	691061	1	Screw
⑦474	691065	1	Alternator
⑦493	694475	1	Bracket-Mounting
⑦501	491546	1	Regulator
⑦521	690581	1	Shield-Cable
⑦523	692014	1	Dipstick
③⑦524	281370	1	Seal
⑦525	691398	1	Dipstick Tube
⑦526	690326	1	Screw (Regulator)
⑦729	281390	1	Clip-Wire
⑦750	691033	1	Screw
⑦789	497708	1	Wire Stop
⑦813	690635	1	Clamp
③⑦842	270920	1	O-Ring
⑦847	496415	1	Fill Group-Oil
⑦851	224110	1	Cable Terminal
⑦877	393456	1	Wire-Connector / Alternator
③⑦943	280801	1	O-Ring Seal
⑦965	499613	1	Cover-Pump, Oil
⑦1024	499054	1	Pump-Oil
⑦1027	492932	1	Filter-Oil

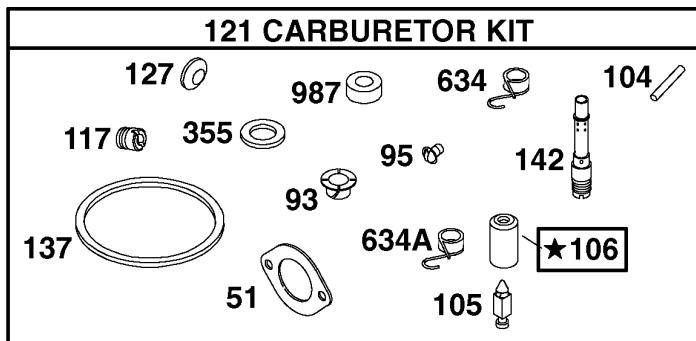
Ref	Part No.	Qty.	Description
⑦1054	280275	1	Tie-Cable
⑦1119	93621	1	Screw



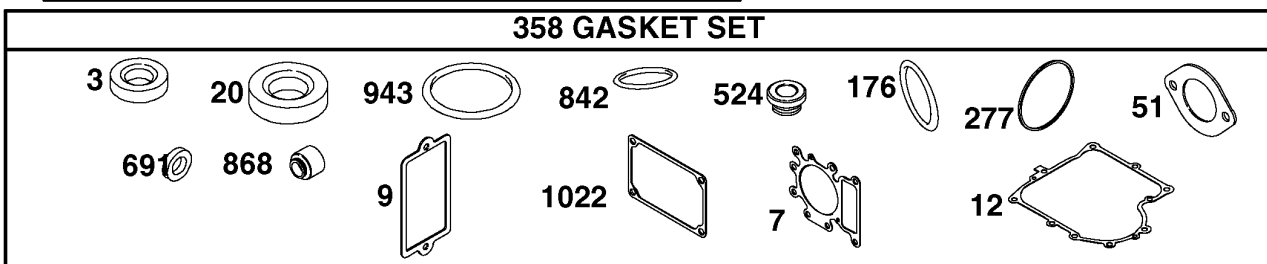
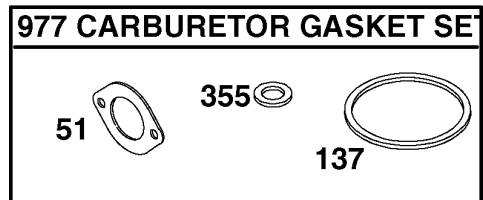
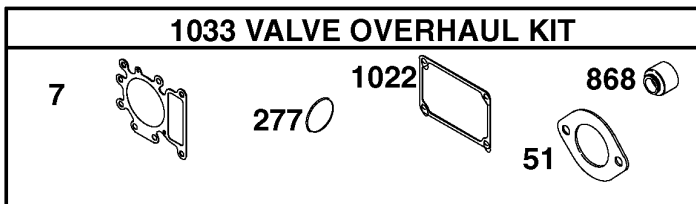
Assemblies include all parts shown in frames.

Air Cleaner Assembly Briggs and Stratton 311777-0151-E1

Ref	Part No.	Qty.	Description
⑦167	281051	1	Nut
③⑦176	281106	1	O-Ring
⑦423	692129	1	Screw-Torx Hex.
⑦467	493903	1	Knob
⑦445	496894	1	Filter-Air
⑦667	94010	1	Nut
⑦711	94704	1	Screw
⑦875	693686	1	Air Cleaner Base
⑦967	272403	1	Filter-Air
⑦968	692502	1	Air Cleaner Cover
⑦996	690678	1	Carburetor Shield



★ REQUIRES SPECIAL TOOLS TO INSTALL. SEE REPAIR INSTRUCTION MANUAL.



Assemblies include all parts shown in frames.

Carburetor Overhaul Kit Assembly Briggs and Stratton 311777-0151-E1

Ref	Part No.	Qty.	Description
3	391086	0	Seal-Oil
57	692410	0	Gasket-Cylinder Head
9	27803	0	Gasket-Breather
12	271916	0	Gasket-Crankcase (1/64")
5	271997	0	Gasket-Crankcase (.005")
5	271996	0	Gasket-Crankcase (.009")
20	291675	0	Seal-Oil
451	273650	0	Gasket-Intake
93	281346	0	Bushing-Throttle
95	94098	0	Valve-Choke
104	231789	0	Pin-Hinge, Float
105	231855	0	Valve-Needle, Float
106	231854	0	Seat-Inlet
117	232118	0	Jet-Main
121	690191	0	Carburetor Kit
127		0	Welch Plug Sold In Kit Only
137	281165	0	Gasket-Bowl, Float
142	232117	0	Carburetor Nozzle
176	281106	0	O-Ring
5277	692138	0	Seal-O Ring
5355	281164	0	Washer
358	690189	0	Gasket Set
524	281370	0	Seal

Ref	Part No.	Qty.	Description
634	494453	0	Seal-Choke Shaft
634A	494455	0	Seal-Choke Shaft
691	491323	0	Seal-Oil
842	270920	0	O-Ring
5868	499236	0	Seal-Valve
943	280801	0	O-Ring Seal
977	690192	0	Carburetor Gasket Set
987	281166	0	Seal-Shaft
51022	272475	0	Gasket-Cover, Rocker
1033	690190	0	Set-Valve Gasket

