



190-DH Lawn Tractor

Model No. 74590 - 220000001 and up.

Parts Catalog

Ordering Replacement Parts

To order replacement parts, please supply the part number, the quantity, and the description of each part desired.

Understanding Reference Numbers

Each identified part in an illustration has a reference number. The reference number for a part also appears in the parts list, along with other information about the part.

This catalog uses two special reference number formats, one to indicate parts in a service assembly and another to indicate the quantity of a given part in an illustration.

Service Assembly Reference Numbers

Parts in service assemblies have reference numbers in the form a:b. The a represents the reference number of the entire service assembly and the b represents a sequential number unique to each part within the service assembly.

For example, a wheel assembly might be identified by reference number 6, the tire by 6:1, the valve by 6:2, and the wheel by 6:3. When you order the assembly identified by reference number 6, you receive all parts identified by reference numbers 6:1, 6:2, and 6:3. However, you may also order any part individually. Reference numbers of this type appear in illustrations and in part lists.

Reference Numbers Indicating Quantity

In an illustration, if a reference number indicates more than one part, the reference number has the form nX y. The n represents the quantity of the part, the X is the multiplication symbol, and the y represents the reference number.

For example, in an illustration, the reference number 2X 37 means that two of the parts identified by reference number 37 are indicated.

Contents

Description	Page	Description	Page
Body Assembly 3	Electrical Assembly 30
Front Axle Assembly 5	Electrical Assembly (continued) 31
Steering Assembly 6	Electrical Assembly (continued) 32
Body Assembly 7	Electrical Assembly (continued) 33
Engine Assembly 9	Cylinder Assembly Engine Briggs and Stratton Model 406777-0157-E1 34
Operation Brake By-Pass Assembly 10	Cylinder Head Assembly Engine Briggs and Stratton Model 406777-0157-E1 35
Operation Travel Pedal Assembly 11	Crankshaft Assembly Engine Briggs and Stratton Model 406770-0157-E1 36
Transmission Drive Assembly 12	Carburetor Assembly Engine Briggs and Stratton Model 406777-0157-E1 37
Control Shaft Assembly 14	Blower Housing Assembly Engine Briggs and Stratton Model 406777-0157-E1 38
Differential Gear Assembly 15	Governor Assembly Engine Briggs and Stratton Model 406777-0157-E1 39
Final Pinion Assembly 16	Oil Filter, Tube, and Pump Assembly Engine Briggs and Stratton Model 406777-0157-E1 40
Axle Shaft Assembly 17	Flywheel Assembly Engine Briggs and Stratton Model 406777-0157-E1 41
Brake Assembly 18	Starter Assembly Engine Briggs and Stratton Model 406777-0157-E1 42
Fan Pulley Assembly 19	Carburetor Overhaul Kit Assembly Engine Briggs and Stratton Model 406777-0157-E1 43
Range Shift Assembly 20		
Center Case Assembly 21		
Pump Shaft Assembly 22		
Motor Shaft Assembly 23		
Transaxle Case Assembly 24		
Grass Collector Assembly 25		
Chute-Collector Assembly 26		
Operation Cutting Pan Assembly 27		
Cutting Pan Assembly 28		
Operation Mower Lift Assembly 29		

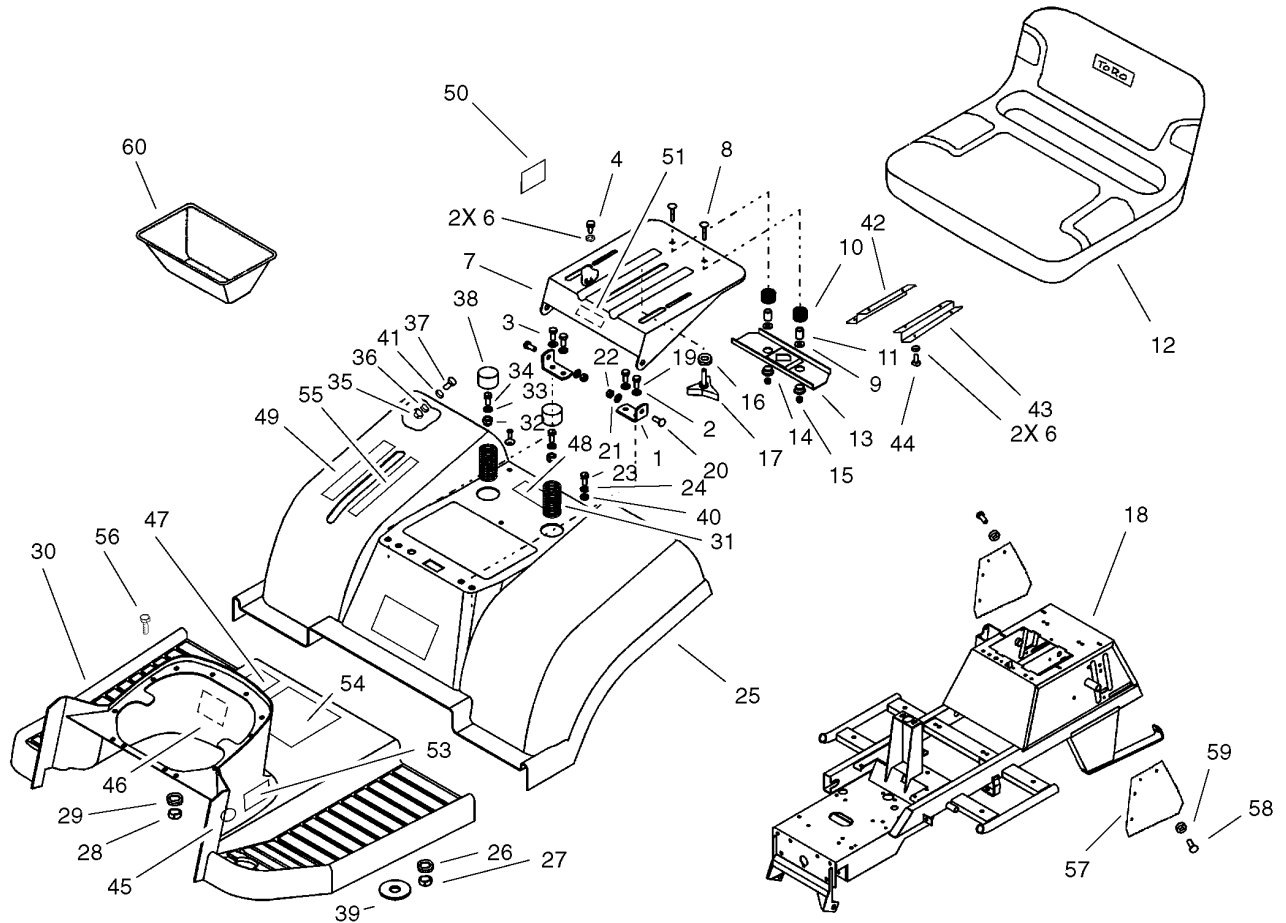
Part Description Abbreviations

Part descriptions in this catalog may include the following abbreviations.

AR. as required	HYD. hydraulic
ASM. assembly	LH. left hand
BBC. blade brake clutch	NI. nylon insert
CARR. carriage	NPTF. national pipe thread fine
DEG. degrees	PFH. phillips flat head
EXT. external	PPH. phillips pan head
FH. flat head	PPHTF. phillips pan head thread forming
GA. gauge	PRH. phillips round head
HD. heavy-duty	PTH. phillips truss head
HF. hex flange	PTO. power-take-off
HH. hex head	RH. right hand
HHF. hex head flange	ROPS. roll-over protection system
HHFTF. hex head flange thread forming	SFH. slotted fillister head
HJ. hex jam	SHH. slotted hex head
HLH. hex lag head	SHWH. slotted hex washer head
HOC. height-of-cut	SPH. slotted pan head
HSBH. hex socket button head	SQH. square head
HSFH. hex socket flat head	SRH. slotted round head
HSH. hex socket head	STD. standard
HWH. hex washer head	TAP. self tapping
HWHTF. hex washer head thread forming	TTH. torx truss head

Footnotes

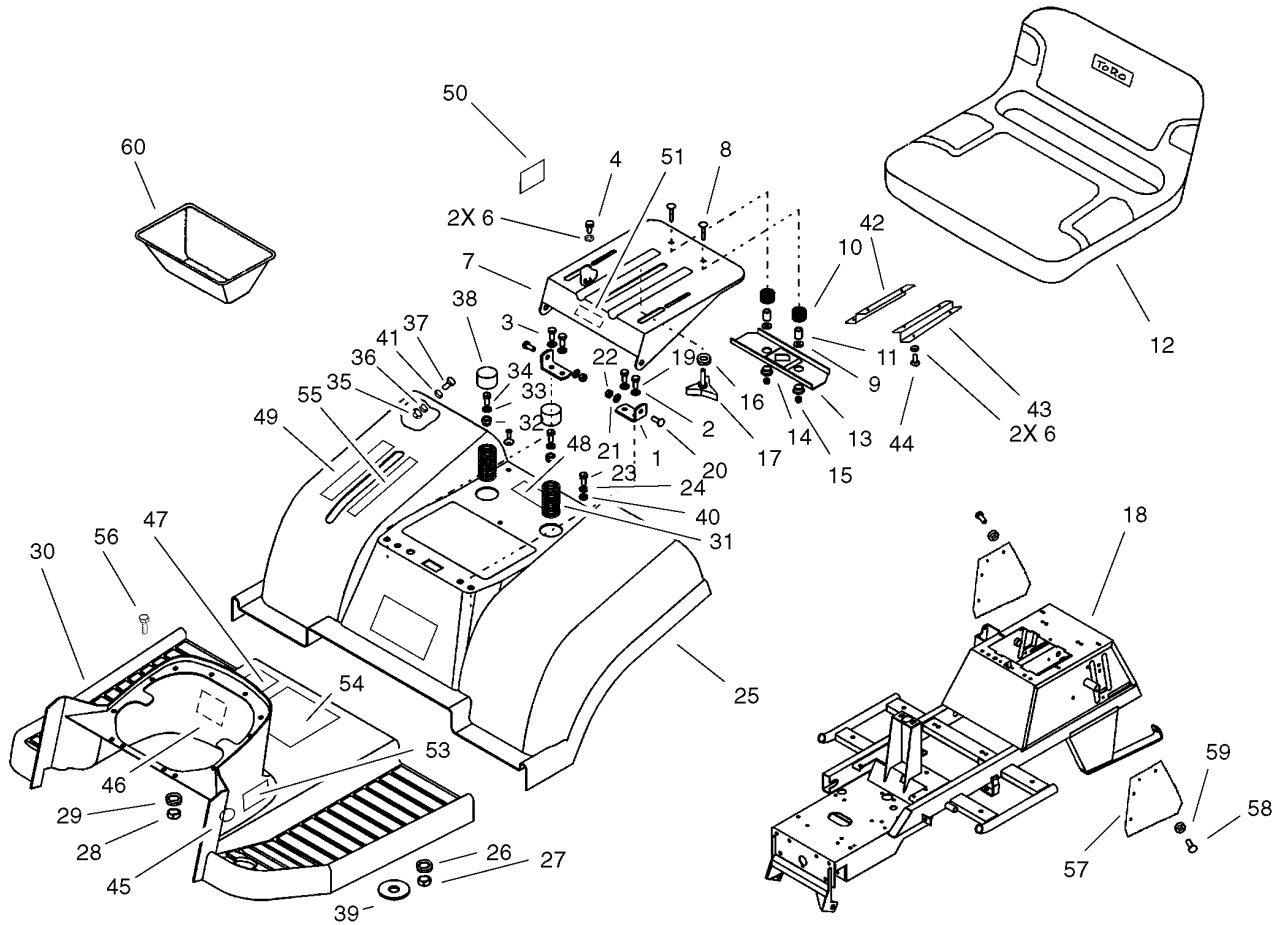
- | | |
|---|---|
| ❶ Not illustrated | ❷ Not serviced separately |
| ❸ Included in Gasket Set-Ref. 358. | ❹ Included in Carburetor Kit-Ref. 121 |
| ❺ Included in Valve Overhaul Kit-Ref. 1033. | ❻ Included in Carburetor Gasket Set-Ref. 977. |



Body Assembly

Ref	Part No.	Qty.	Description
1	104-2926	2	Bracket-Support, Seat
2	104-2927	4	Washer-Spring
3	33114-025	3	Screw-HH
4	104-3192	2	Bolt-Hex
6	104-2927	4	Washer-Spring
7	104-2929	1	Support-Seat
8	104-2930	2	Bolt-Carriage
9	104-2931	2	Washer-Flat
10	104-2932	2	Spring-Seat
11	104-2933	2	Spacer-Split
12	92-6511	1	Seat-V-511
13	104-2934	1	Bracket
14	104-2935	2	Bushing
15	33023-00	2	Nut-Lock
16	104-2936	2	Washer-Spring
17	104-2937	2	Knob-Adj.
18	104-2938	1	Frame-Chassis
19	33114-030	1	Screw-HH
20	104-2939	2	Screw-Support, Seat
21	33094-00	6	Washer-Plain
22	33024-00	6	Nut-Lock
23	104-2940	2	Screw-HSFH
24	104-2941	2	Washer-Finish
25	106-5752	1	Fender

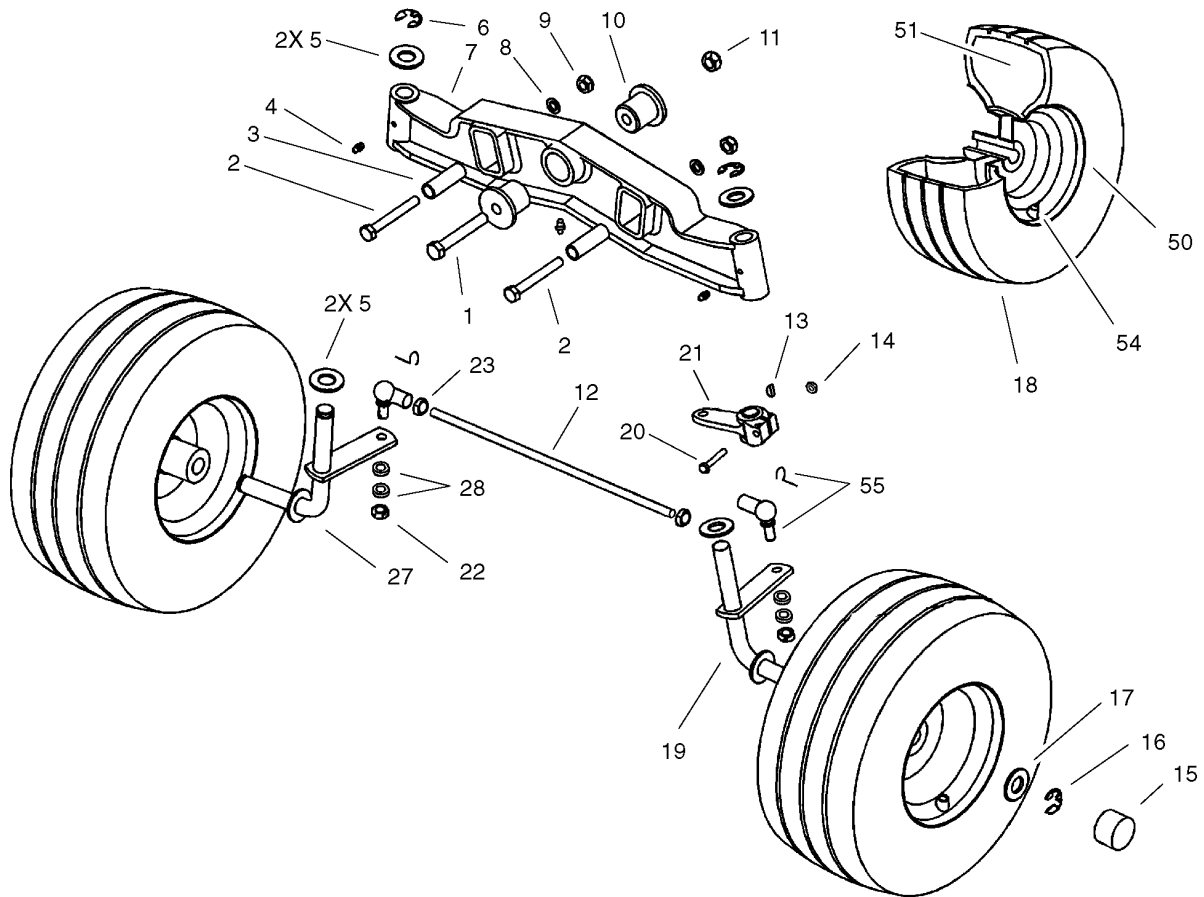
Ref	Part No.	Qty.	Description
26	33095-00	4	Washer-Flat
27	33025-00	4	Nut-Lock
28	87-5140	6	Nut-Lock
29	104-2943	6	Washer-Flat
30	104-2944	1	Footrest ASM
31	104-2945	2	Spring-Seat
32	33024-00	2	Nut-Lock
33	104-2946	6	Washer-Plain
34	33114-020	2	Screw-HH
35	87-5140	6	Nut-Lock
36	104-2943	6	Washer-Flat
37	104-2948	6	Bolt-Carriage
38	104-2857	2	Cap-Hub
39	104-2949	2	Washer-Rubber
39	104-2951	2	Washer-Rubber
40	104-2952	2	Washer-Rubber
41	104-2952	6	Washer-Rubber
42	104-2953	1	Bracket-Right Seat
43	104-2954	1	Bracket-Left Seat
44	104-3195	4	Screw
45	104-3237	1	Decal-Brake, Parking
46	104-3238	1	Decal-Starting
47	104-3241	1	Decal-Operation, Hydro
48	104-3242	1	Decal-Bag To Frame



Body Assembly (continued)

Ref	Part No.	Qty.	Description
49	104-3240	1	Decal-HOC, RH
50	99-5340	1	Decal-Switch
51	93-7276	1	Decal-Danger
53	100-9125	2	Decal - Tower 190Dh
54	104-2903	1	Decal-Instruction
55	104-3239	1	Decal-HOC, LH
56	60-6910	6	Screw
57	106-5753	2	Cover-Rear
58	106-5754	8	Screw
59	106-5755	8	Washer-Flat
60	106-5756	1	Box-Battery

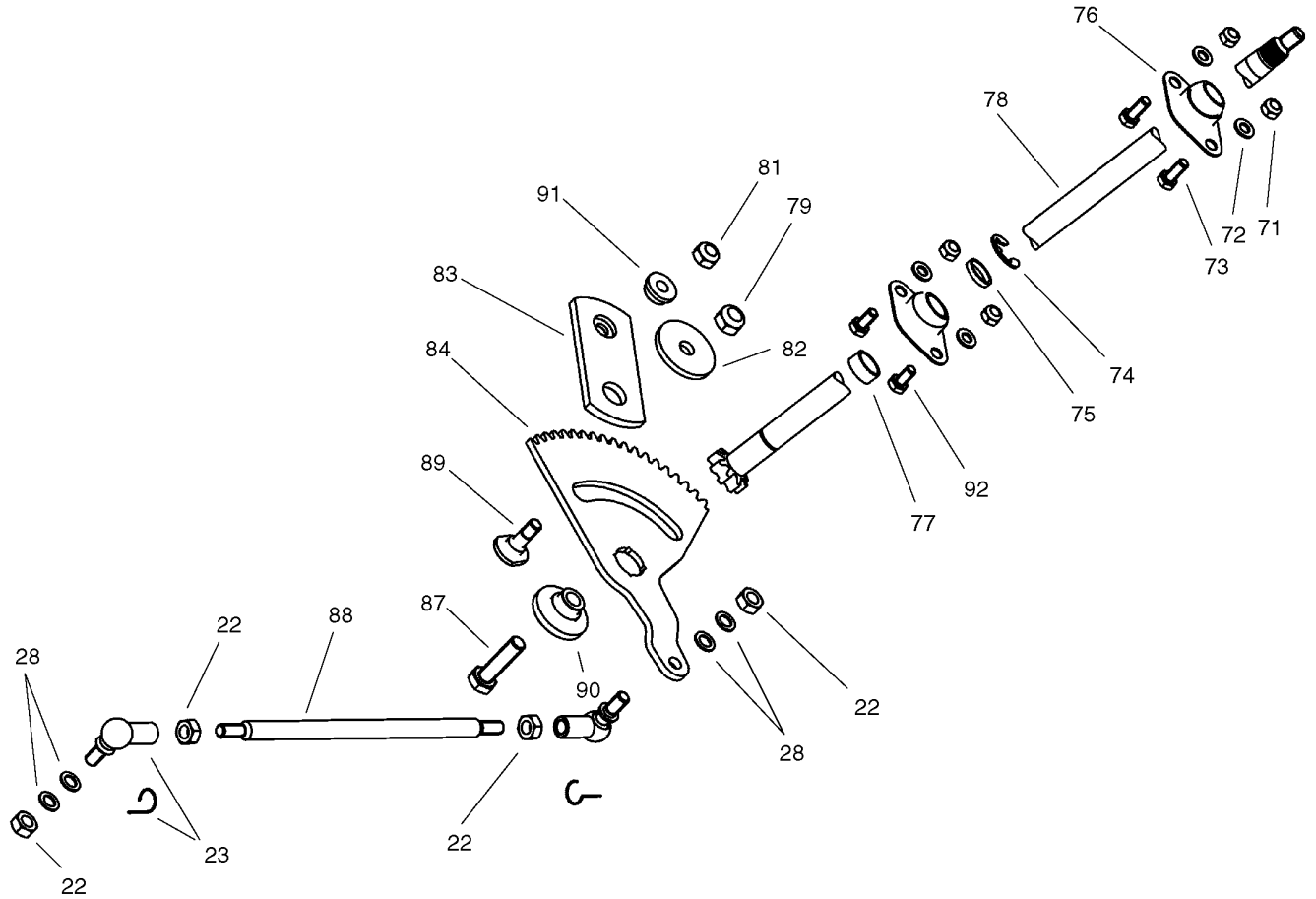
--	--	--	--



Front Axle Assembly

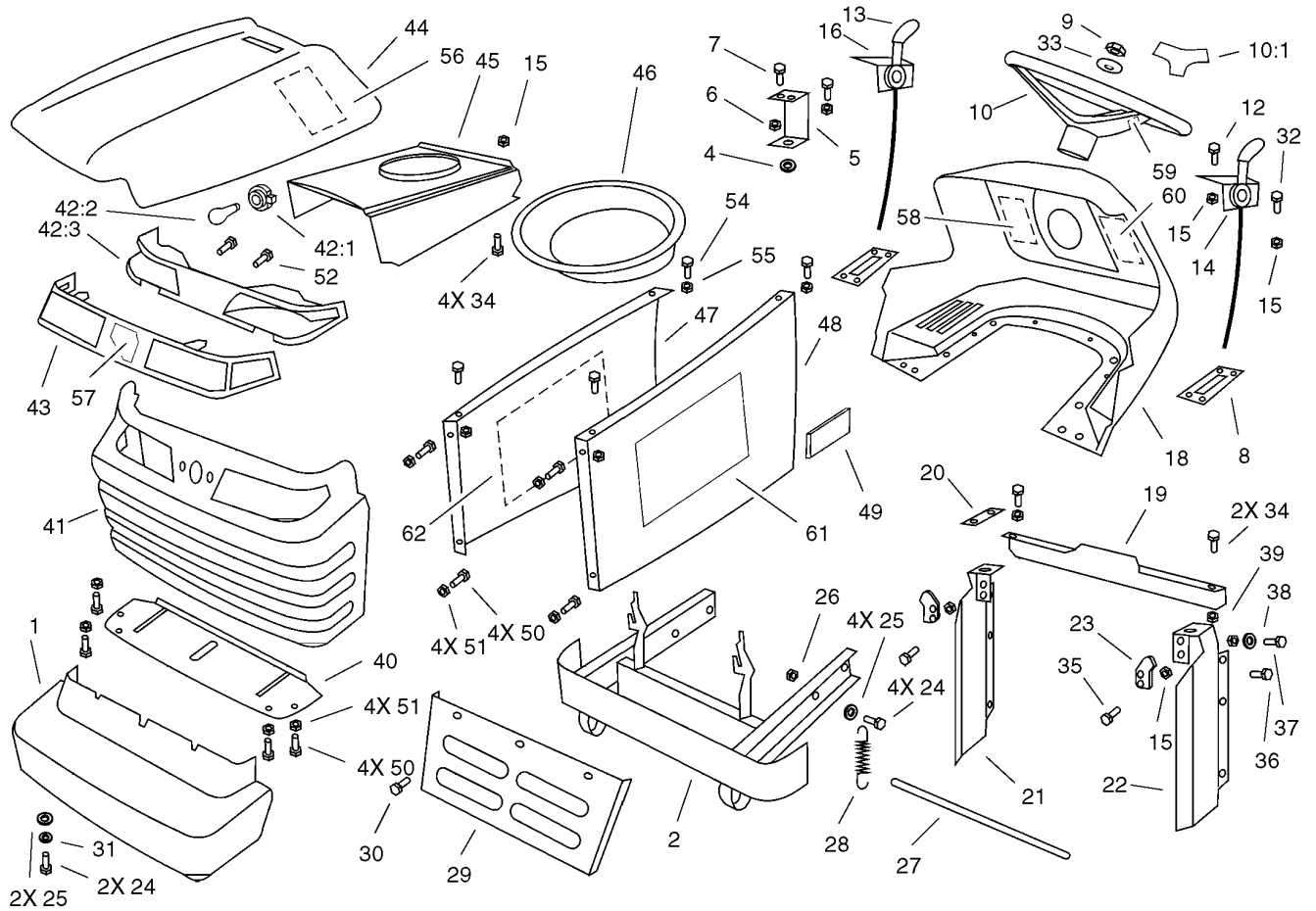
Ref	Part No.	Qty.	Description
1	33116-090	1	Screw-HH
2	33115-080	2	Screw-HH
3	104-2851	2	Spacer
4	104-2904	3	Fitting-Grease
5	104-2905	4	Washer-Flat
6	104-2891	2	Clip-Spring
7	104-2852	1	Axle-Front
8	104-2906	2	Washer-Flat
9	33025-00	2	Nut-Lock
10	104-2890	2	Bushing-Axle, Front
11	104-2907	1	Nut-Self Locking
12	104-2855	1	Rod-Tie, Front Axle
13	104-2856	1	Key-Woodruff
14	33023-00	1	Nut-Lock
15	104-2857	2	Cap-Hub
16	104-2891	2	Clip-Spring
17	104-3206	2	Washer
18	104-2859	2	Front Tire Wheel ASM
19	104-2861	1	Spindle-LH
20	33113-045	1	Screw-HH
21	104-2862	1	Lever-Spindle, Steering
22	33015-00	4	Nut-Hex
23	21-0360	2	Nut-Hex
27	104-2867	1	Spindle-RH

Ref	Part No.	Qty.	Description
28	106-5757	4	Washer
50	104-2869	2	Tire- Turf Saver 2 Ply
51	104-2870	2	Tube
54	104-2875	2	Valve-Tyre
55	104-2876	2	Joint-Ball, Angle



Steering Assembly

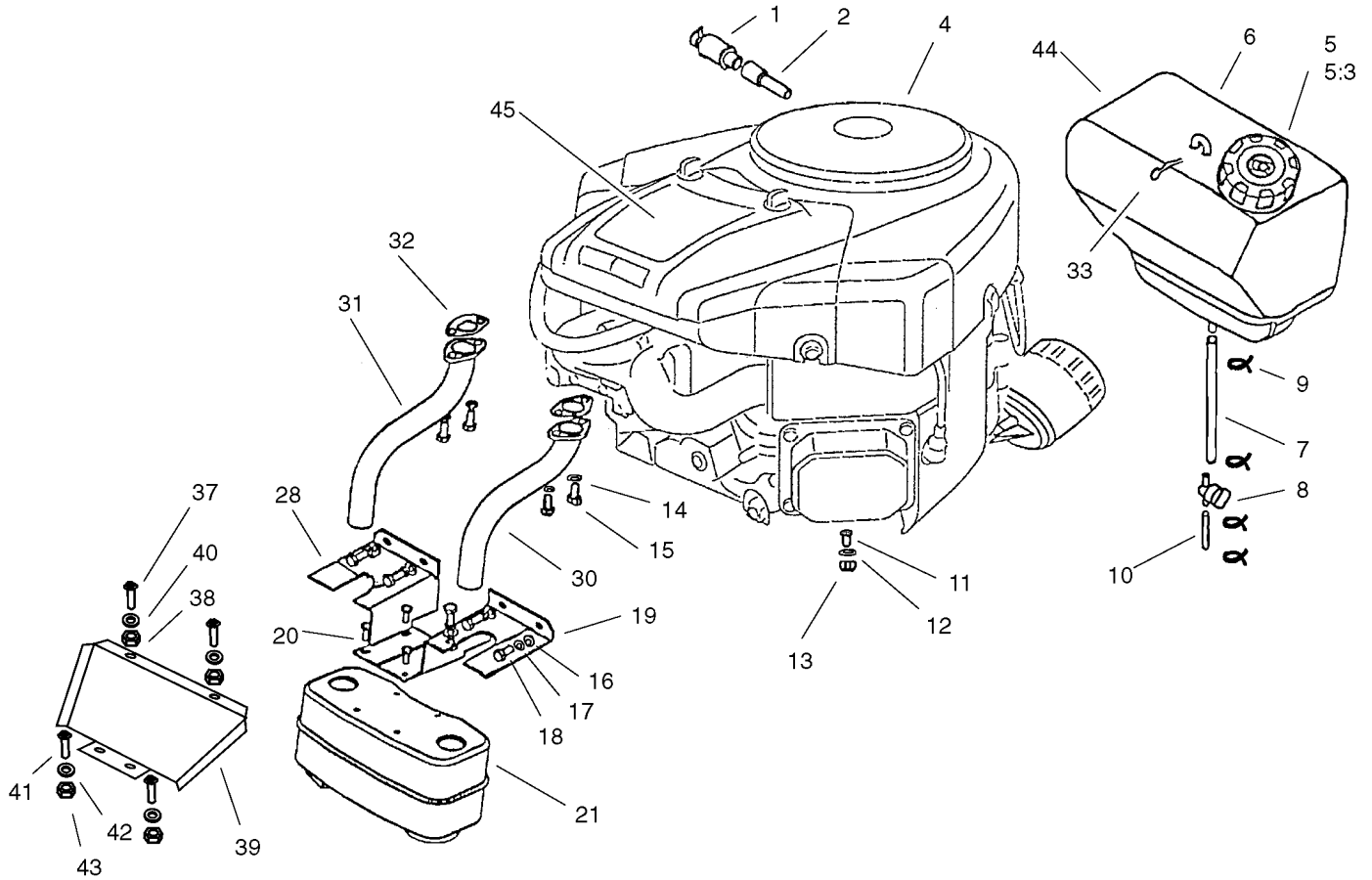
Ref	Part No.	Qty.	Description
22	33015-00	4	Nut-Hex
23	104-2863	2	Hsg-Ball Angle
28	106-5757	4	Washer
71	33024-00	4	Nut-Lock
72	33094-00	4	Washer-Plain
73	33114-020	2	Screw-HH
74	104-2891	1	Clip-Spring
75	104-2877	1	Spacer-Upper
76	104-2878	2	Bearing-Spherical
77	104-2879	1	Spacer-Lower
78	106-5773	1	Shaft-Steering
79	33026-00	1	Nut-Lock
81	33025-00	1	Nut-Lock
82	33094-00	1	Washer-Plain
83	105-1238	1	Plate-Steering
84	104-2883	1	Gear-Sector
87	104-2910	1	Screw-Hex
88	104-2886	1	Link-Drag
89	105-1239	1	Bolt-Shoulder
90	105-1240	1	Pivot-Steering
91	105-1241	1	Bushing
92	33114-016	2	Screw-HH



Body Assembly

Ref	Part No.	Qty.	Description
1	104-2955	1	Cover-Bumper
2	104-2956	1	Bumper
3	104-2958	1	Hood ASM
4	104-2959	1	Bushing
5	104-2960	1	Holder-Tank, Fuel
6	33023-00	2	Nut-Lock
7	104-2961	2	Screw
8	104-2962	2	Brace
9	33026-00	1	Nut-Lock
10	98-1472	1	Wheel-Steering
10:1	98-1468	1	Cover-Wheel, Steering
12	104-2966	4	Screw-Flt HD
13	66-0120	2	Knob
14	92-6783	1	Control-Choke, Twin
15	87-5140	18	Nut-Lock
16	92-6784	1	Control-Throttle, Twin
18	104-2969	1	Panel-Dash
19	104-2970	1	Brace
20	104-2971	1	Bracket
21	104-2972	1	Panel-Right
22	104-2973	1	Panel-Left
23	92-6960	2	Latch-Hood
24	33114-020	6	Screw-HH
25	104-2946	6	Washer-Plain

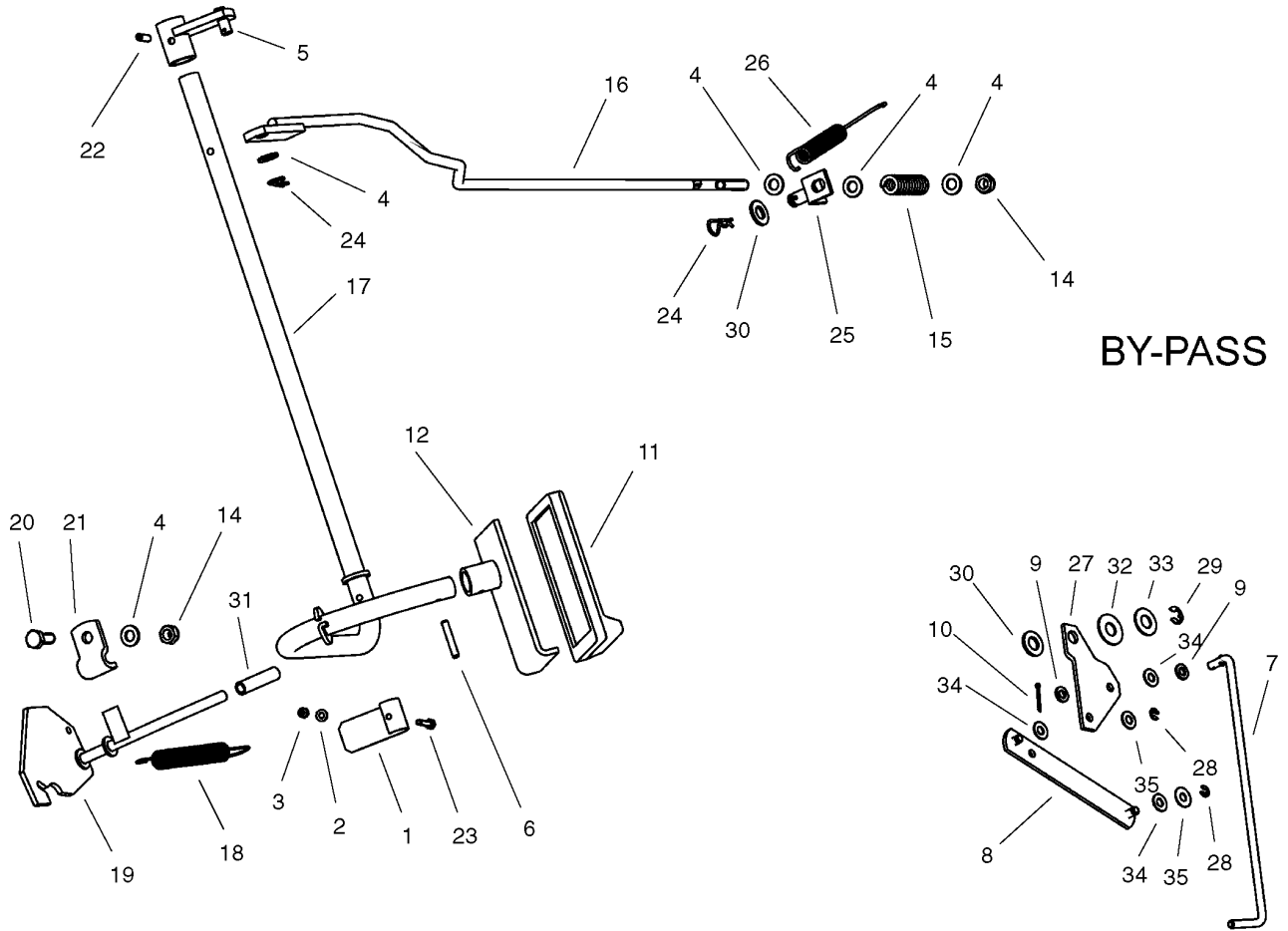
Ref	Part No.	Qty.	Description
26	33024-00	4	Nut-Lock
27	104-2974	1	Bar-Safety
28	104-2975	1	Spring-Hood
29	104-2976	1	Shield-Heat
30	104-2977	3	Screw-Slf Drl
31	104-2927	2	Washer-Sprng
32	106-5759	4	Screw
33	106-5758	1	Washer
34	104-2980	6	Screw
35	104-2981	4	Screw
36	104-2982	4	Screw
37	104-2983	2	Screw
38	104-2984	6	Washer
39	104-2985	6	Nut-Hex
40	104-2986	1	Bracket
41	100-1344	1	Grill
42	88-3970	1	Reflector And Lamp ASM
42:1	111686	2	Socket-Light
42:2	7228	2	Bulb
42:3	93-8741	1	Reflector
43	92-6656	1	Lens - Headlight
44	92-6658	1	Hood-Top
45	104-2987	1	Hood - Baffle
46	104-2989	1	Plenum-Air



Engine Assembly

Ref	Part No.	Qty.	Description
1	104-3208	1	Valve-Oil Drain
2	106-5764	1	Coupler-Oil Drain
24		1	Engine-Briggs And Stratton, Intek, 2Cyl Model 406777-0157-E1
5	88-3980	1	Gas Cap ASM
5:3	88-4010	1	Gasket-Cap, Gas
6	104-3057	1	Tank-Fuel
7	104-3211	1	Line-Fuel
8	104-3224	1	Valve-Tank, Fuel
9	104-3212	4	Clamp-Line, Fuel
10	104-3213	1	Line-Fuel
11	104-3085	4	Bolt-HHF
12	33094-00	4	Washer-Plain
13	33024-00	4	Nut-Lock
14	104-2927	4	Washer-Spring
15	322-3	4	Screw-HH
16	33094-00	4	Washer-Plain
17	104-2927	4	Washer-Spring
18	33114-020	4	Screw-HH
19	104-3214	1	Guard-Muffler, LH
20	106-5763	4	Screw
21	104-3225	1	Muffler
28	104-3215	1	Guard-Muffler, RH

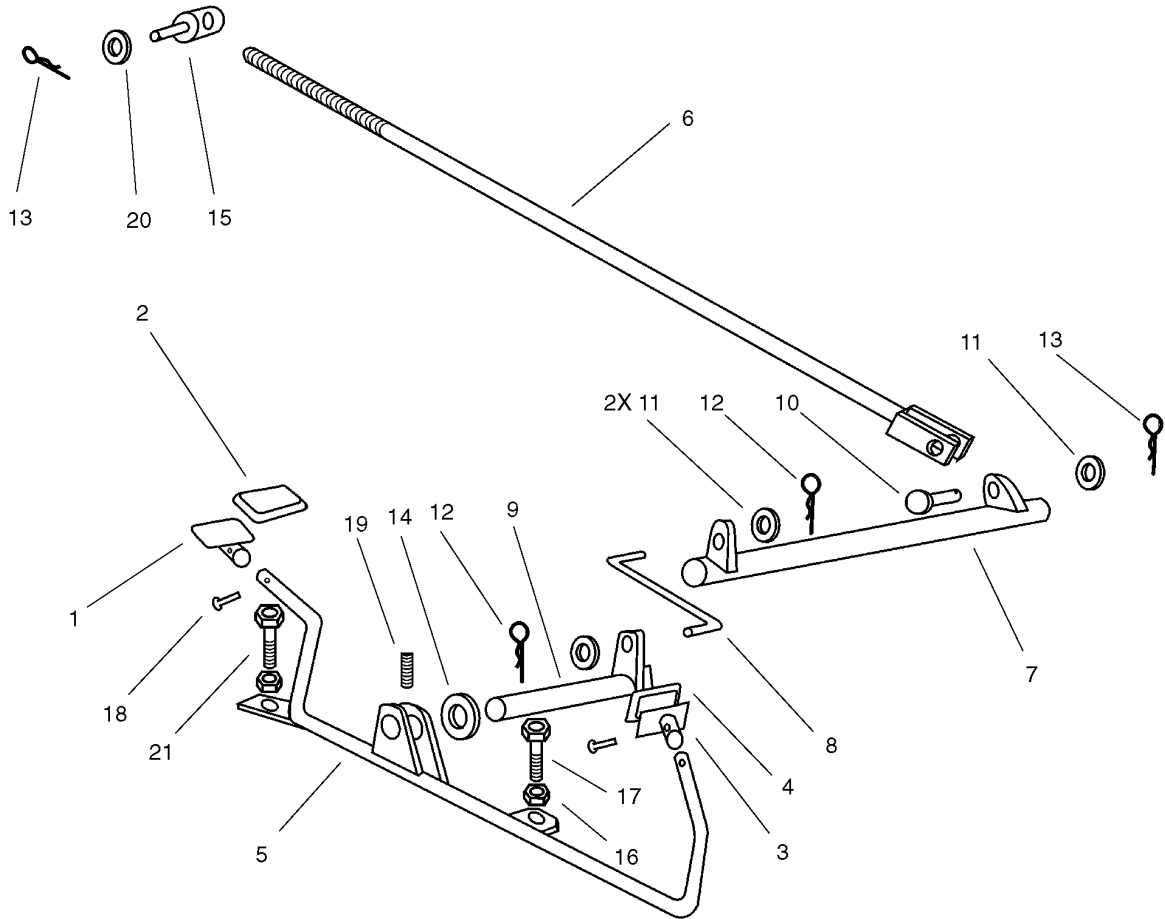
Ref	Part No.	Qty.	Description
30	104-3216	1	Tube-Exhaust, LH
31	104-3217	1	Tube-Exhaust, RH
32	104-3226	2	Gasket-Exhaust
33	104-3144	1	Pin-Hair
37	33113-012	2	Screw-HH
38	33023-00	2	Nut-Lock
39	104-3219	1	Shield-Heat
40	33093-00	2	Washer-Flat
41	104-2980	2	Screw
42	104-2943	2	Washer-Flat
43	87-5140	2	Nut-Lock
44	104-3220	1	Tank-Fuel W/Cap
45	104-2901	1	Decal-Engine



Operation Brake By-Pass Assembly

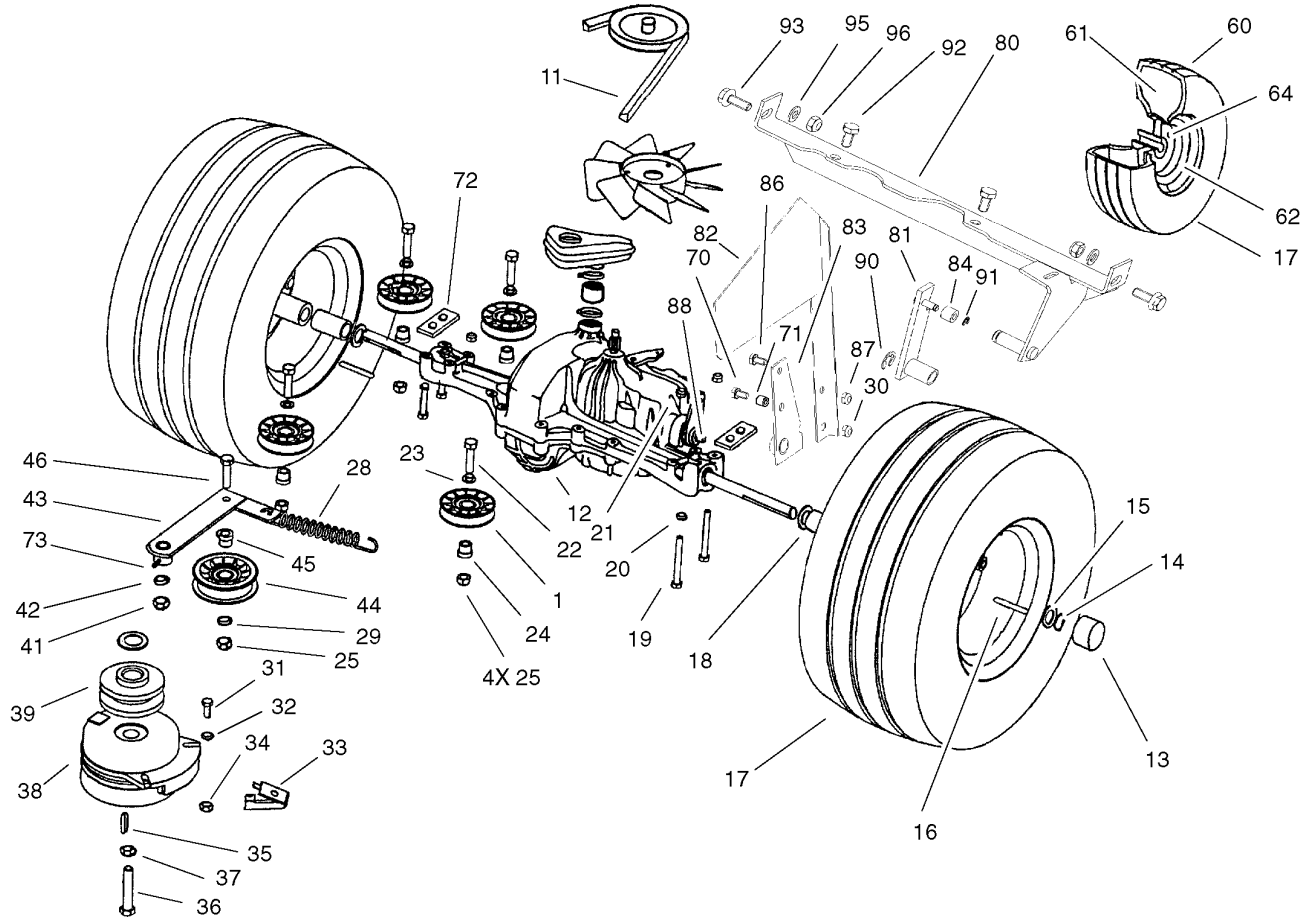
Ref	Part No.	Qty.	Description
1	104-2992	1	Lever-Spring
2	104-2984	1	Washer
3	104-2985	1	Nut-Hex
4	33094-00	5	Washer-Plain
5	104-2993	1	Bracket-Rod, Brake
6	104-2994	1	Pin-Spring
7	104-2995	1	Rod-Lever, Bypass
8	104-3324	1	Lever-Bypass
9	104-3193	2	Washer
10	104-2997	1	Pin-Cotter
11	104-2998	1	Pad-Pedal
12	104-2999	1	Pedal
14	33024-00	2	Nut-Lock
15	104-3002	1	Spring-Brake
16	104-3003	1	Rod-Connecting, Brake
17	104-3246	1	Shaft-Brake
18	104-3005	1	Spring-Brake, Hand
19	104-3006	1	Lever-Brake, Hand
20	33114-020	1	Screw-HH
21	104-3007	1	Clamp-Lever, Parking Brake
22	104-3008	1	Pin-Spring
23	104-3009	1	Screw-Hex
24	104-3016	2	Pin-Cotter
25	104-3011	1	Bracket-Rod, Brake

Ref	Part No.	Qty.	Description
26	104-3012	1	Spring
27	104-3323	1	Plate-Bypass
28	104-3014	2	Stirrup
29	104-3015	1	Stirrup
30	33095-00	2	Washer-Flat
31	104-3247	1	Cap
32	106-5768	1	Washer
33	106-5769	1	Washer
34	106-5770	3	Washer
35	106-5771	2	Washer



Operation Travel Pedal Assembly

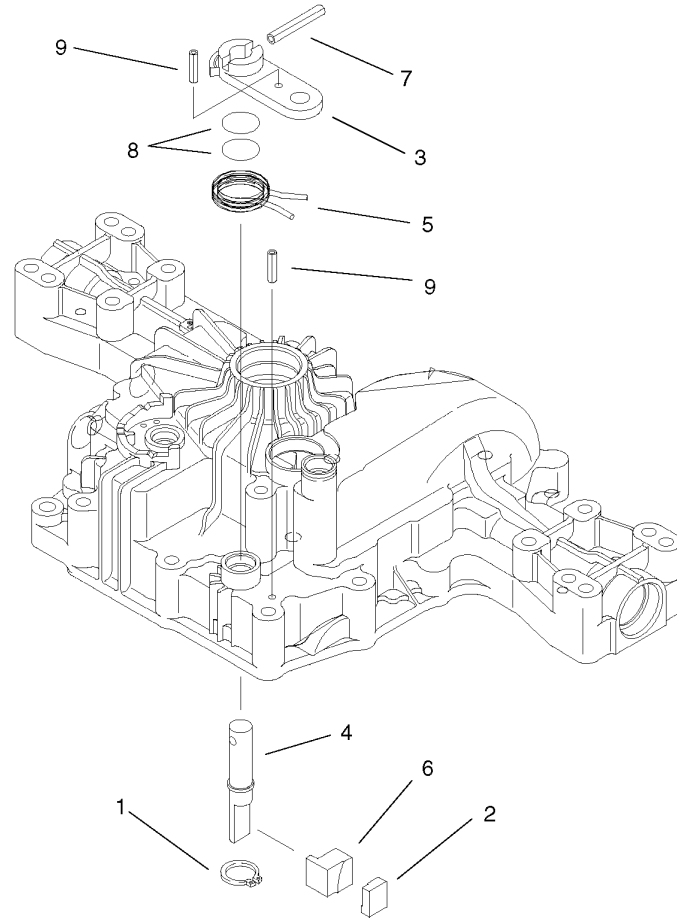
Ref	Part No.	Qty.	Description
1	104-3017	1	Pedal-Rear, Travel
2	104-3018	1	Pad-Pedal
3	104-3019	1	Pedal-Travel, Front
4	104-3020	1	Pad-Pedal, Front
5	104-3021	1	Pad-Travel
6	104-3022	1	Rod-Tie
7	104-3023	1	Shaft-Diagonal
8	104-3024	1	Link-Formed
9	104-3025	1	Shaft-Diagonal
10	104-3026	1	Pin
11	33095-00	3	Washer-Flat
12	104-3016	2	Pin-Cotter
13	104-3027	2	Pin-Cotter
14	104-3028	1	Spacer
15	104-3029	1	Pin
16	33014-00	2	Nut-Hex
17	43-3220	1	Capscrew-HH
18	104-3008	2	Pin-Spring
19	104-3030	1	Pin-Spring
20	104-3031	1	Washer
21	33114-025	1	Screw-HH



Transmission Drive Assembly

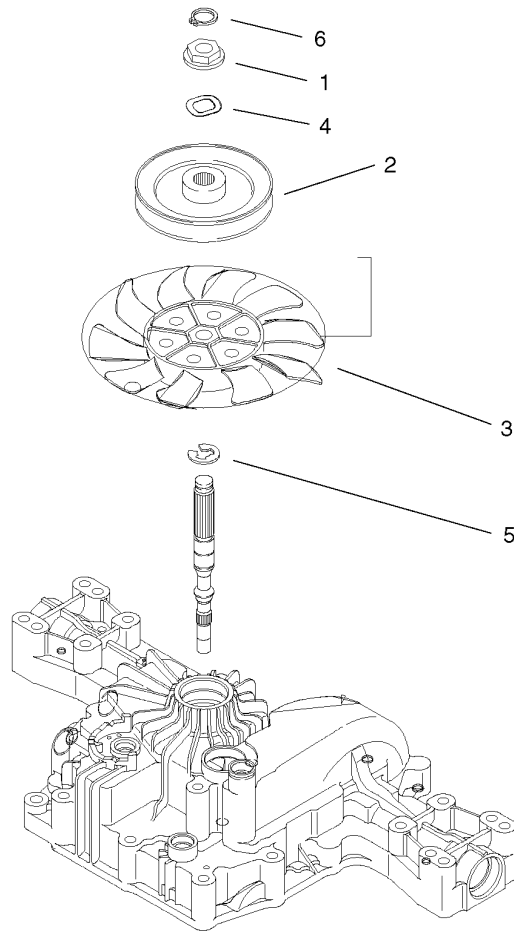
Ref	Part No.	Qty.	Description
1	104-2887	4	Pully-Idler
11	104-2888	1	V-Belt-Traction
12	104-2889	1	Transmission
13	104-2857	2	Cap-Hub
14	104-2891	2	Clip-Spring
15	104-3206	4	Washer
16	104-2892	2	Key-Square
17	104-2894	2	Rear Tire ASM
18	104-2895	2	Spacer-Axle
19	33114-080	4	Screw-HH
20	33094-00	8	Washer-Plain
21	33024-00	4	Nut-Lock
22	33115-040	4	Screw-HH
23	33095-00	4	Washer-Flat
24	104-2896	4	Bushing-Idler
25	33025-00	5	Nut-Lock
28	104-2897	1	Spring
29	33095-00	1	Washer-Flat
30	33025-00	1	Nut-Lock
31	33114-020	1	Screw-HH
32	33094-00	1	Washer-Plain
33	104-2898	1	Retainer
34	33024-00	1	Nut-Lock
35	104-2899	1	Key-Square

Ref	Part No.	Qty.	Description
36	3212-10	1	Screw-HH
37	93-9043	1	Washer-Spring, Belleville
38	104-3334	1	Clutch-Electric
39	104-2911	1	Pulley-Engine
41	33024-00	1	Nut-Lock
42	33094-00	1	Washer-Plain
43	104-2912	1	Arm-Idler
44	104-2913	1	Pulley-Idler
45	104-2896	1	Bushing-Idler
46	33115-040	1	Screw-HH
60	104-2917	2	Tire-Turf Saver 4 Ply
61	104-2918	2	Tube
62	104-3196	2	Wheel ASM
64	104-2922	8	Nut-Wheel
70	33115-045	1	Screw-HH
71	104-2925	1	Sleeve
72	104-3343	2	Plate-Reinforcing
73	104-2904	1	Fitting-Grease
80	104-3327	1	Bar ASM
81	104-3328	1	Arm-Switch
82	104-3325	1	Arm-Control, Cruise
83	104-3326	1	Tenon
84	104-3329	1	Roller
86	33114-010	1	Screw-HH



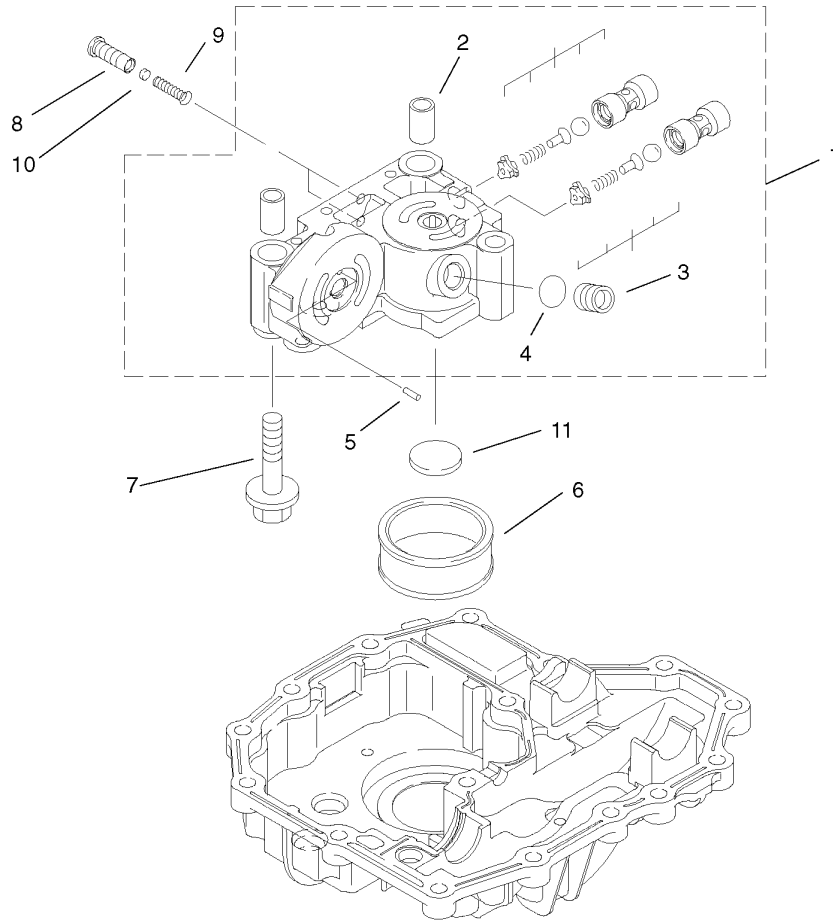
Brake Assembly

Ref	Part No.	Qty.	Description				
1	104-3313	1	Ring				
2	104-3314	1	Shoe-Brake				
3	104-3315	1	Arm-Brake				
4	104-3316	1	Shaft-Brake				
5	104-3317	1	Spring-Return, Brake				
6	104-3318	1	Actuator-Brake				
7	92-0767	1	Pin				
8	92-0786	2	O-Ring				
9	104-3319	2	Pin				



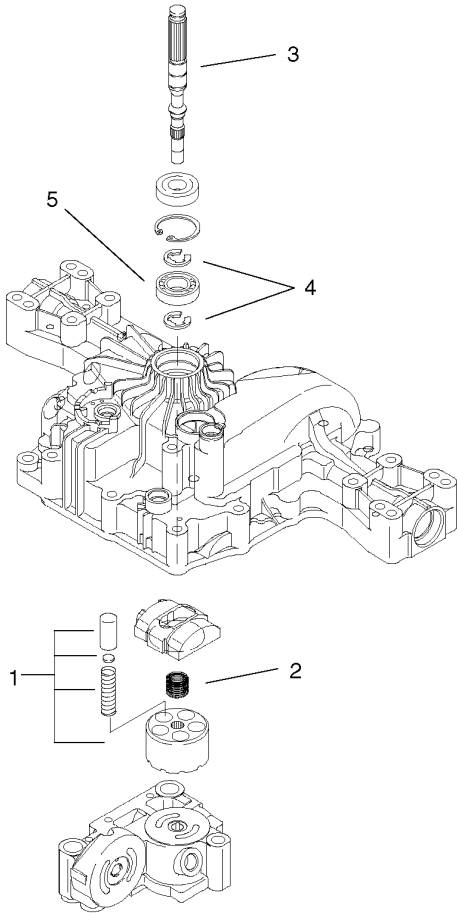
Fan Pulley Assembly

Ref	Part No.	Qty.	Description				
1	104-3320	1	Collar-Spline				
2	104-3197	1	Pulley-Transmission				
3	104-3199	1	Fan- Transmission				
4	104-3321	1	Washer-Lock				
5	93-0387	1	E-Ring				
6	104-3198	1	E-Ring				



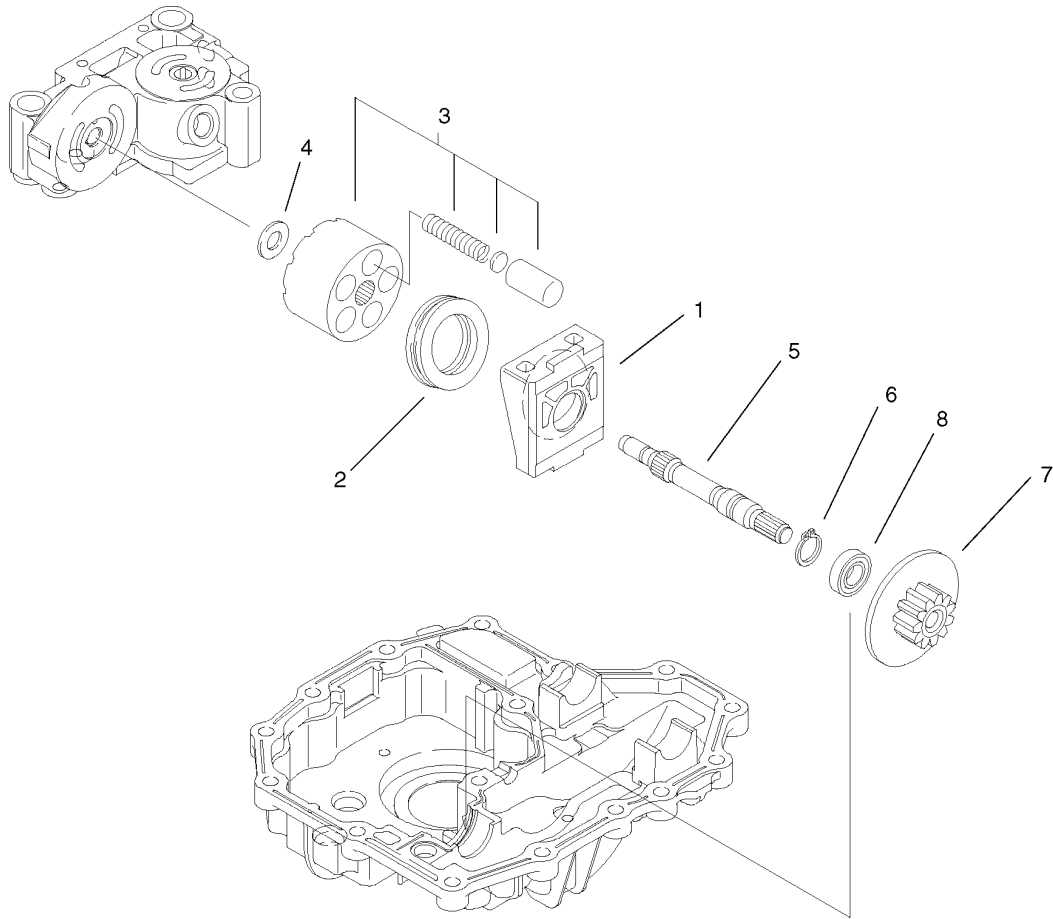
Center Case Assembly

Ref	Part No.	Qty.	Description				
1	104-3267	1	Case-Center				
2	104-3268	2	Pin-Knock				
3	104-3269	1	Plug				
4	93-0419	1	Packing				
5	104-3270	1	Pin				
6	104-3271	1	Filter				
7	104-3272	3	Bolt				
8	104-3273	2	Valve				
9	104-3274	2	Spring				
10	104-3275	2	Filter				
11	104-3257	1	Magnet				



Pump Shaft Assembly

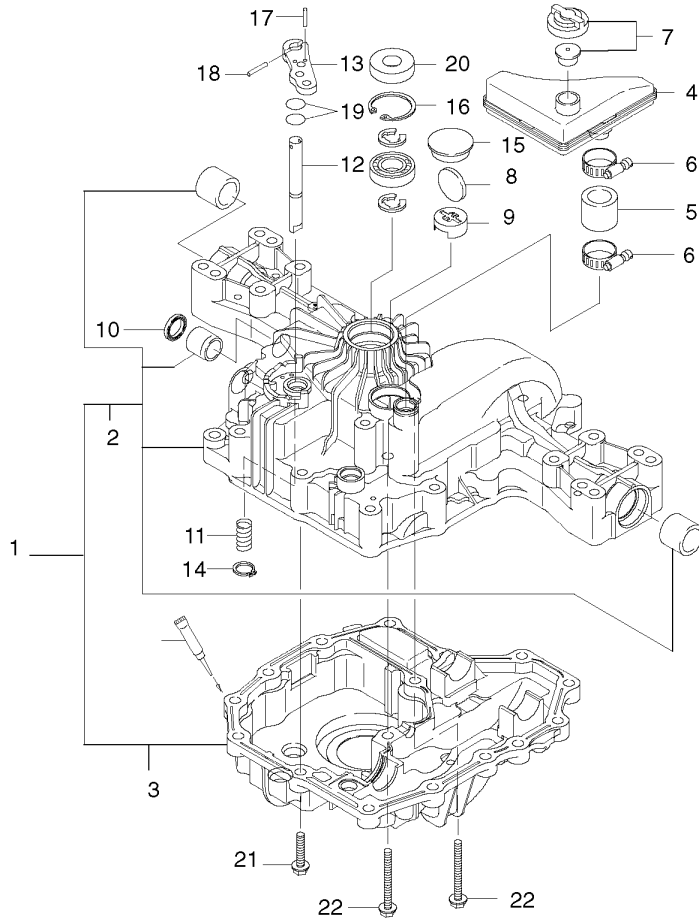
Ref	Part No.	Qty.	Description				
1	104-3276	1	Block-Cylinder				
2	104-3277	1	Spring-Pump				
3	104-3278	1	Shaft-Pump				
4	93-0387	2	E-Ring				
5	93-0374	1	Bearing-Ball				



Motor Shaft Assembly

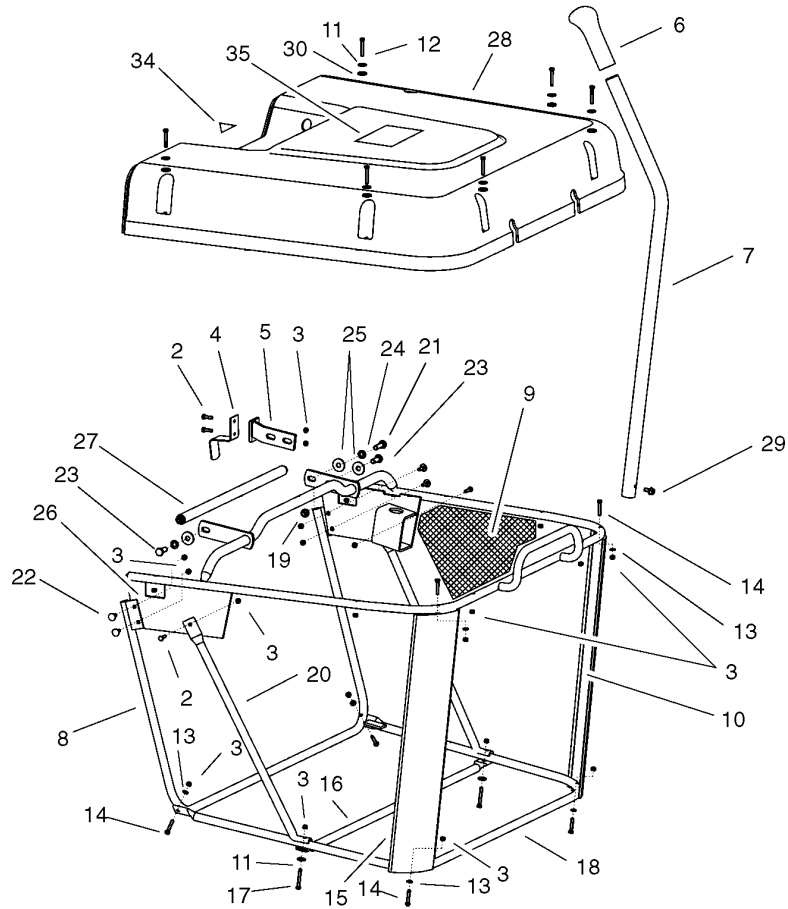
Ref	Part No.	Qty.	Description
1	104-3279	1	Housing
2	104-3280	1	Bearing
3	104-3281	1	Block-Cylinder
4	104-3282	1	Washer
5	104-3283	1	Shaft-Motor
6	93-0373	1	Ring-Snap
7	104-3284	1	Motor-Gear
8	104-3285	1	Bearing

--	--	--	--



Transaxle Case Assembly

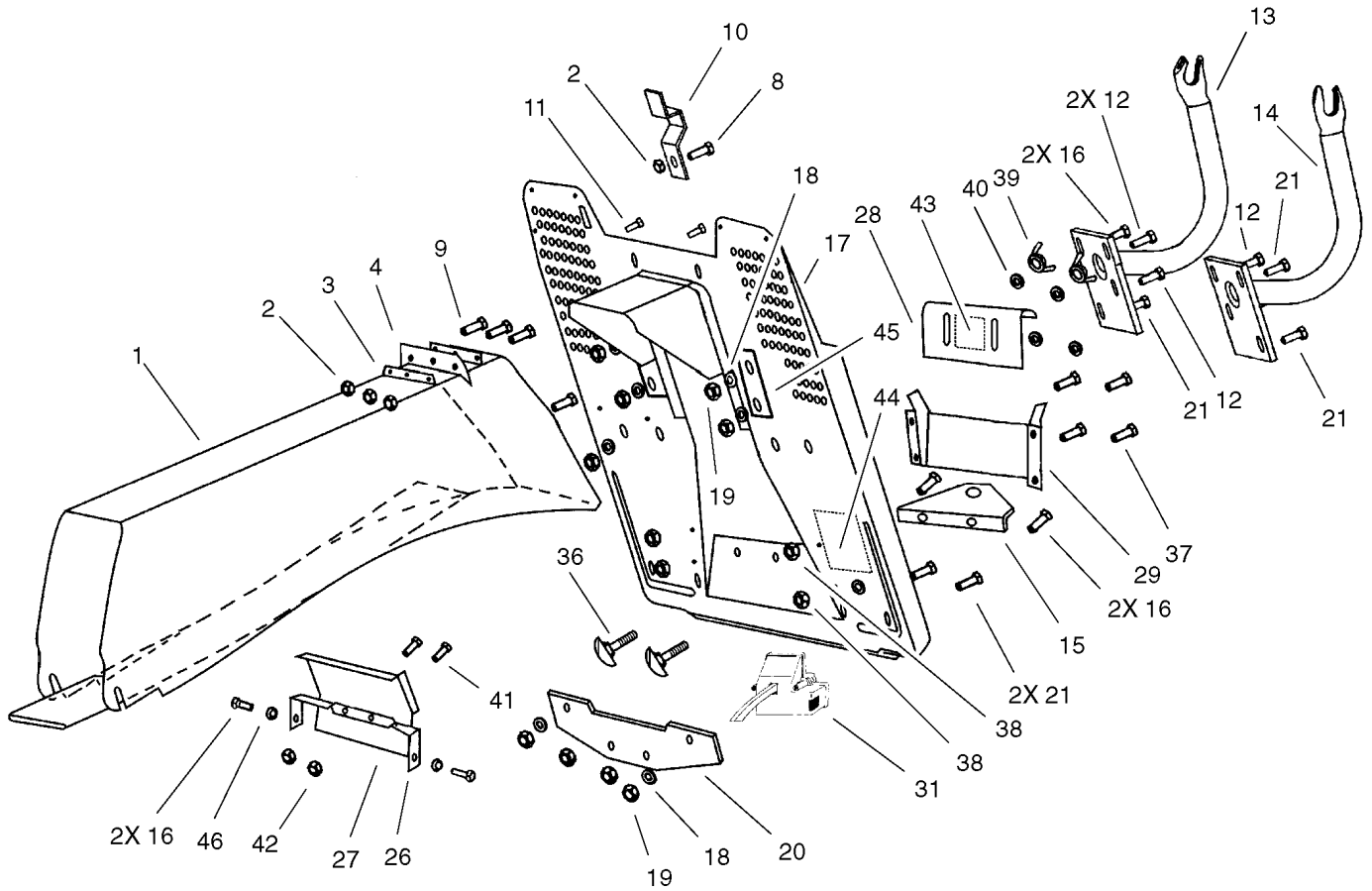
Ref	Part No.	Qty.	Description				
1	104-3251	1	Transaxle Case Set				
2	104-3252	1	Housing-Upper				
3	104-3253	1	Housing-Lower				
4	104-2914	1	Tank-Reservoir, With Cap				
5	104-3254	1	Tube				
6	104-3255	2	Clamp-Miniature				
7	104-3256	1	Valve-Vent, 15				
8	104-3257	1	Magnet				
9	104-3258	1	Holder-Magnet				
10	104-3259	1	Seal-Oil				
11	93-0396	1	Spring				
12	104-3260	1	Shaft-Bypass				
13	104-3261	1	Lever-Bypass				
14	104-3262	1	Ring				
15	104-3263	1	Plug-Bore				
16	93-0360	1	Ring				
17	104-3264	1	Pin				
18	104-3265	1	Pin				
19	93-0419	2	Packing				
20	93-0361	1	Seal				
21	93-0363	14	Screw-TAP				
22	104-3266	2	Screw-TAP				



Grass Collector Assembly

Ref	Part No.	Qty.	Description
1	106-5760	1	Collector ASM
2	60-6910	2	Screw
3	87-5140	22	Nut-Lock
4	104-3033	1	Spring-Coll, Interlock Switch
5	106-5761	1	Bracket-Spring
6	104-3035	1	Grip-Handle
7	104-3036	1	Lever-Dumping
8	104-3037	1	Front Frame ASM
9	104-3038	1	Bag-Grass
10	104-3039	1	Support-Corner, Right
11	104-2943	8	Washer-Flat
12	104-2891	6	Clip-Spring
13	52-6430	14	Washer
14	104-3041	4	Screw-Hex
15	104-3042	1	Support-Corner, Left
16	104-3043	1	Brace-Connecting
17	104-3044	2	Screw-Hex
18	104-3045	1	Bottom Frame ASM
19	33024-00	1	Nut-Lock
20	104-3046	2	Brace
21	33114-025	1	Screw-HH
22	104-2948	4	Bolt-Carriage
23	33114-020	2	Screw-HH
24	104-2927	2	Washer-Spring

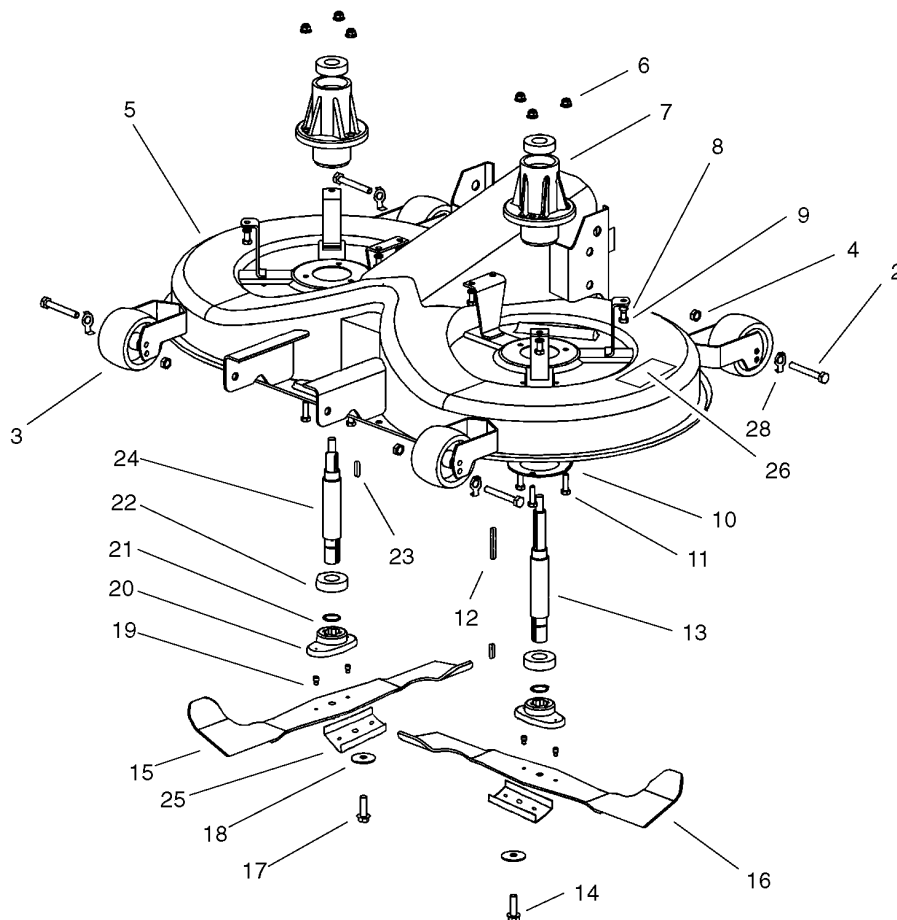
Ref	Part No.	Qty.	Description
25	104-2946	3	Washer-Plain
26	104-3047	1	Top Frame ASM
27	104-3048	1	Handle-Lift
28	106-5762	1	Cover-Collector
29	106-5763	1	Screw
30	104-2952	6	Washer-Rubber
34	104-3242	1	Decal-Bag To Frame
35	104-3322	1	Decal - Horsehead



Chute-Collector Assembly

Ref	Part No.	Qty.	Description
1	104-3054	1	Tunnel
2	104-2985	6	Nut-Hex
3	104-3055	1	Plate-Support
4	104-3056	1	Seal-Rubber
8	104-2983	1	Screw
9	104-3058	3	Screw-SFH
10	104-3059	1	Cover-Switch
11	104-3060	2	Bolt-Carriage
12	104-3061	4	Screw
13	104-3062	1	Support-Collector, Right
14	104-3063	1	Support-Collector, Left
15	104-3064	1	Hitch-Tow
16	104-3065	6	Screw-Hex
17	104-3066	1	Collector Plate ASM
18	33095-00	6	Washer-Flat
19	33024-00	10	Nut-Lock
20	104-3067	1	Support-Hitch, Tow
21	104-3068	5	Screw-Hex
26	104-3069	1	Bracket-Shield, Protective
27	104-3070	1	Shield-Protective
28	104-3336	1	Shield-Adjustable
29	104-3335	1	Hopper-Receiving
31	104-3074	1	Overload Switch ASM
36	104-2961	2	Screw

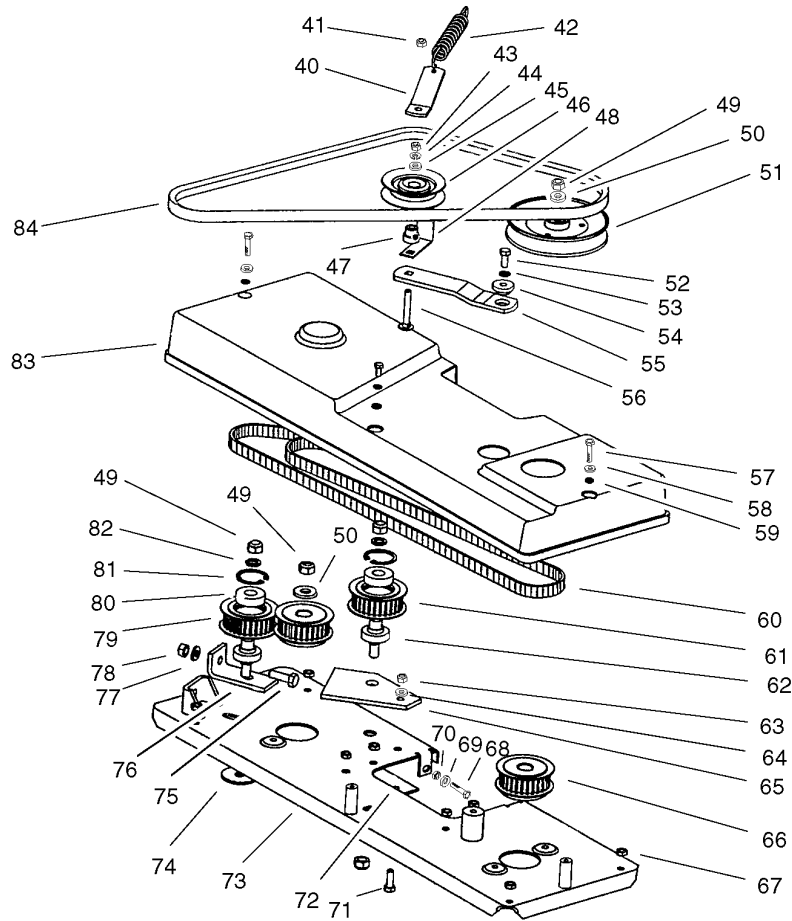
Ref	Part No.	Qty.	Description
37	33113-012	4	Screw-HH
38	33023-00	4	Nut-Lock
39	32103-28	2	Nut-Wing
40	33093-00	2	Washer-Flat
41	104-2948	2	Bolt-Carriage
42	87-5140	2	Nut-Lock
43	104-2853	1	Decal-Position, Bagging
44	104-3243	1	Decal-Bypass, Hydro
45	104-3347	2	Plate-Reinforcing
46	104-3348	2	Washer-Spring
47	106-5772	1	Bushing



Operation Cutting Pan Assembly

Ref	Part No.	Qty.	Description
1	104-3079	1	Cutting System Complete
2	33115-090	4	Screw-HH
3	104-3080	4	Wheel-Gauge
4	33025-00	4	Nut-Lock
5	104-3081	1	Mower Housing Complete
6	104-3082	6	Nut-Lock, HF
7	104-3083	2	Housing-Quill
8	33094-00	8	Washer-Plain
9	33114-020	8	Screw-HH
10	104-3084	2	Support-Ring
11	104-3085	6	Bolt-HHF
12	104-3086	1	Key
13	104-3087	1	Shaft-Left Blade
14	104-3088	1	Screw-Hex
15	104-3089	1	Blade-Right
16	104-3090	1	Blade-Left
17	104-3091	1	Screw-Hex Left
18	104-3092	2	Washer-Belleville
19	104-3093	4	Pin-Shear, Grooved
20	106-4185	2	Adapter-Blade
21	104-3095	2	Ring-Locking
22	104-3096	4	Bearing
23	104-3097	3	Key-Square
24	104-3098	1	Shaft-Right Blade

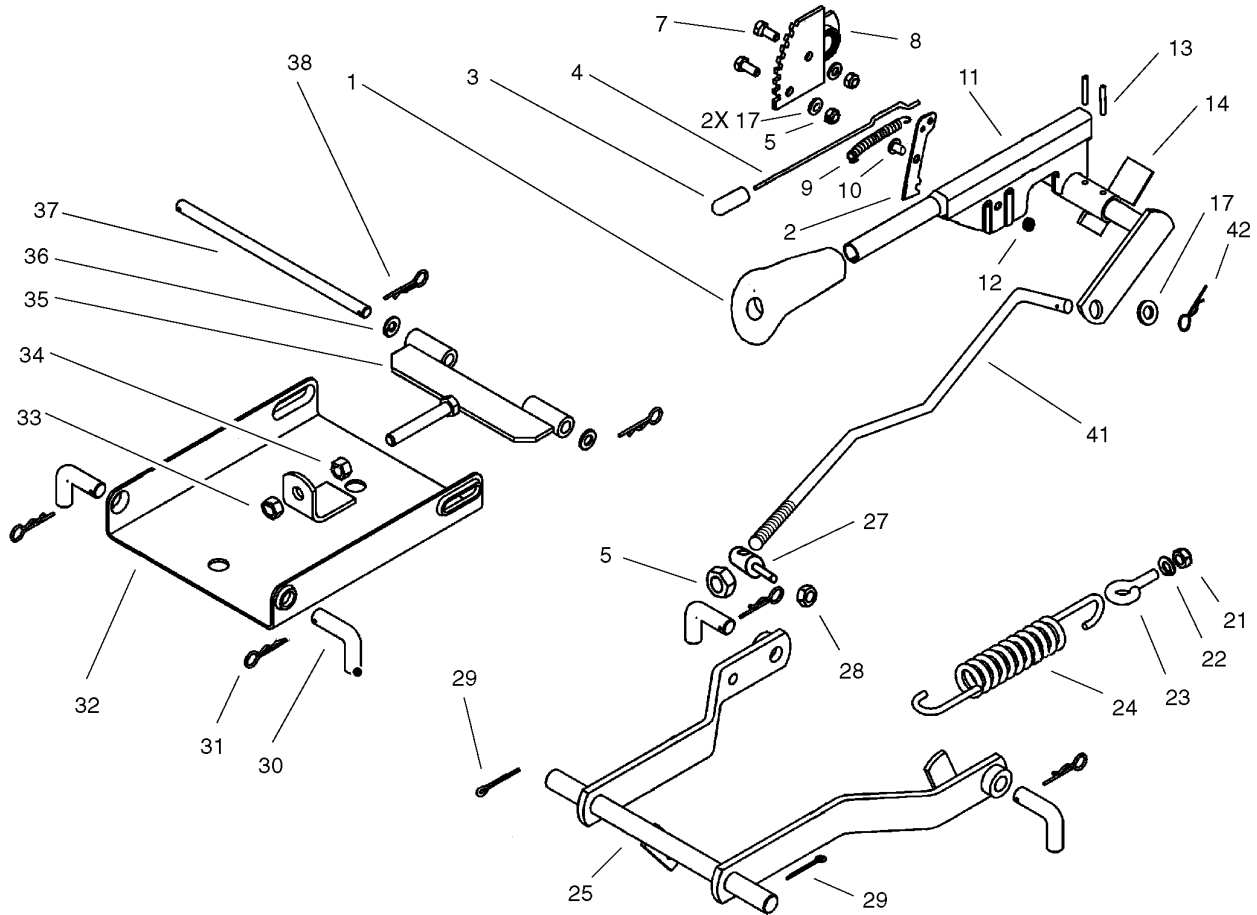
Ref	Part No.	Qty.	Description
25	104-3207	2	Stiffener-Blade
26	93-7824	2	Decal-Danger
28	106-5767	4	Washer



Cutting Pan Assembly

Ref	Part No.	Qty.	Description
40	104-3099	1	Lever-Engagement
41	33024-00	1	Nut-Lock
42	104-3101	1	Spring
43	104-3102	1	Nut-Hex
44	104-2927	1	Washer-Spring
45	104-2946	1	Washer-Plain
46	104-3103	1	Pulley-Idler
47	104-3104	1	Bushing
48	104-3105	1	Retainer-Belt
49	33026-00	6	Nut-Lock
50	104-3106	2	Washer-Flat
51	104-3107	1	Pulley-Drive
52	33114-025	1	Screw-HH
53	104-2927	1	Washer-Spring
54	104-3108	1	Spacer-Shoulder
55	104-3109	1	Arm-Idler
56	33114-050	1	Screw-HH
57	33113-016	3	Screw-HH
58	104-3110	3	Washer-Flat
59	104-3111	3	Washer-Rubber
60	104-3112	1	Belt-Cog
61	104-3113	2	Cog Pulley ASM
62	104-3114	2	Pin-Pulley, Cog
63	33024-00	1	Nut-Lock

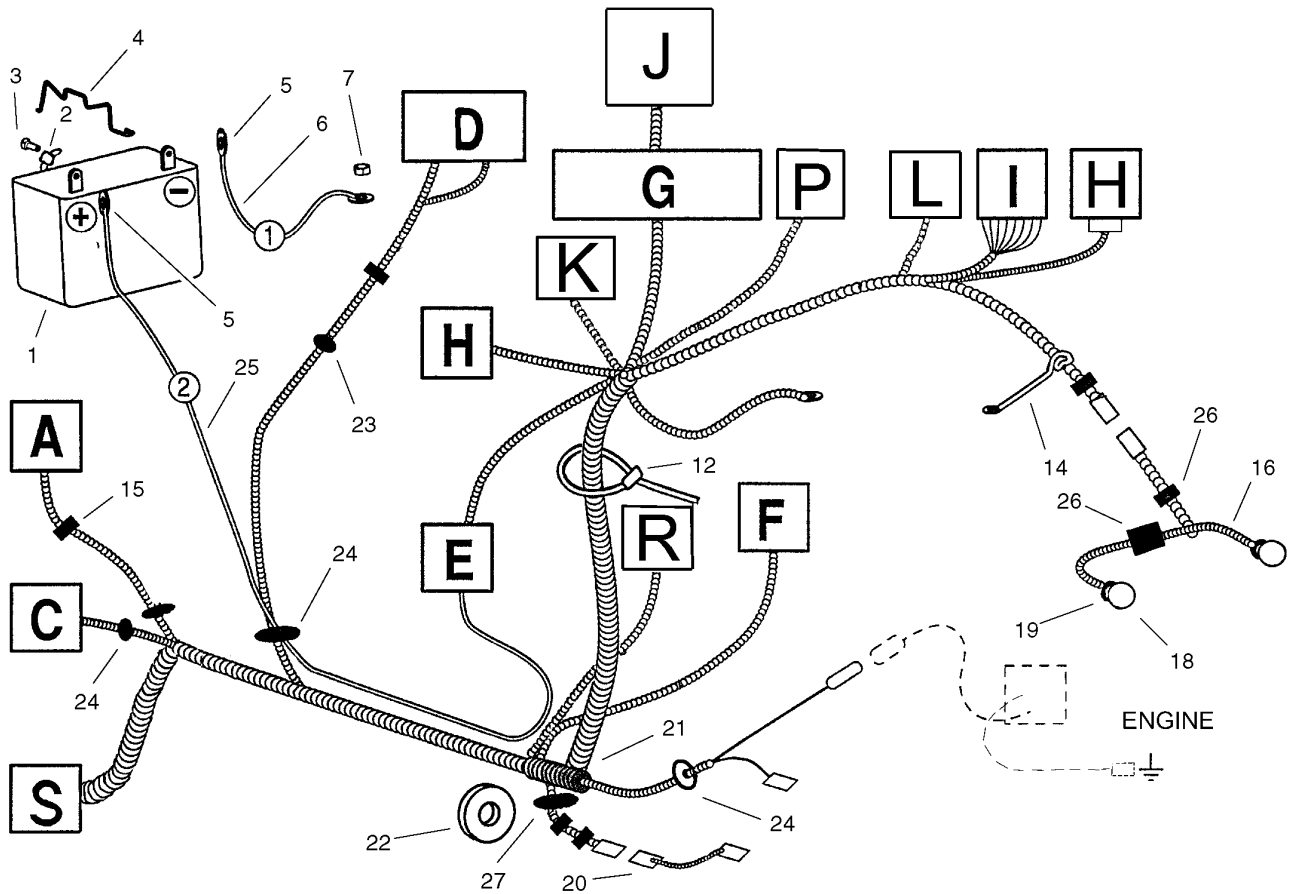
Ref	Part No.	Qty.	Description
64	33094-00	1	Washer-Plain
65	104-3115	1	Support-Pulley
66	104-3116	2	Pulley-Cog, Drive
67	33024-00	8	Nut-Lock
68	104-2961	1	Screw
69	33093-00	1	Washer-Flat
70	33023-00	1	Nut-Lock
71	33114-025	1	Screw-HH
72	104-3117	1	Plate-Anchor
73	104-3118	1	Blade Drive Plate ASM
74	104-2909	1	Washer
75	104-3119	1	Screw-Hex
76	104-3120	1	Bracket-Idler
77	33095-00	1	Washer-Flat
78	33025-00	1	Nut-Lock
79	104-3121	2	Pulley-Cog
80	104-3122	2	Bearing
81	104-3123	2	Ring-Locking
82	104-3124	4	Washer-Flat
83	104-3125	1	Cover-Belt
84	104-3126	1	V-Belt



Operation Mower Lift Assembly

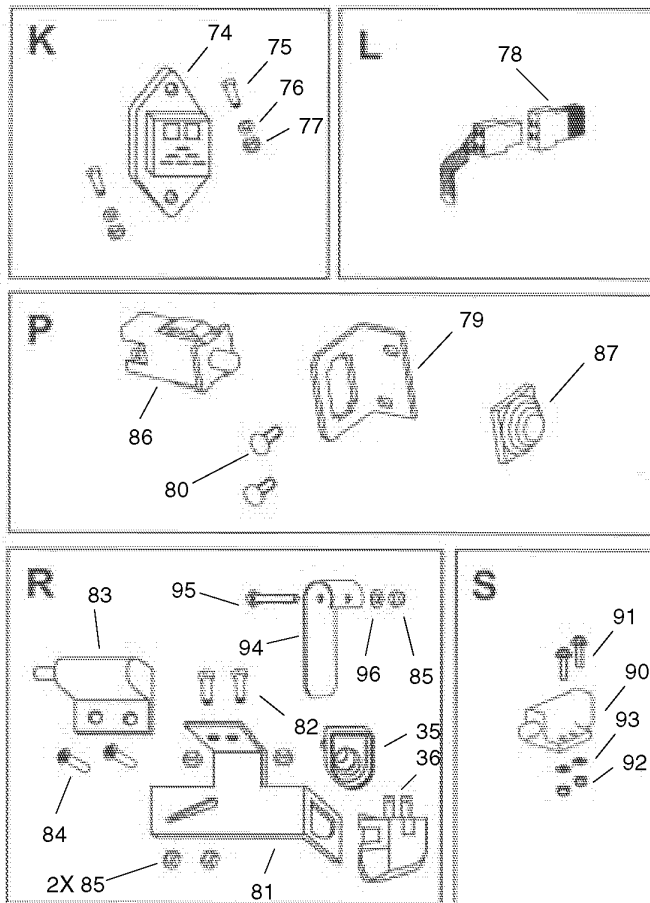
Ref	Part No.	Qty.	Description
1	104-3129	1	Grip-Handle
2	104-3130	1	Ratchet-Plate, Pivot
3	104-3131	1	Button-Plunger
4	104-3132	1	Rod-Connection
5	33024-00	3	Nut-Lock
7	33114-020	2	Screw-HH
8	104-3133	1	Segment-Gear
9	104-3134	1	Spring
10	104-3135	1	Pin-Arm Lever
11	104-3136	1	Lever-Arm, Height Adj.
12	104-3137	1	Clip-Pin
13	104-2994	2	Pin-Spring
14	104-3138	1	Shaft-Height Adj.
17	33094-00	3	Washer-Plain
21	33025-00	1	Nut-Lock
22	33095-00	1	Washer-Flat
23	104-3139	1	Bolt-Eye
24	104-3140	1	Spring-Lift
25	104-3141	1	Pivot Arm ASM
27	104-3142	1	Pin-Lifting
28	33025-00	1	Nut-Lock
29	104-3016	2	Pin-Cotter
30	104-3143	4	Pin-Bent
31	104-3144	4	Pin-Hair

Ref	Part No.	Qty.	Description
32	104-3145	1	Suspension-Mower Deck, Front
33	33026-00	1	Nut-Lock
34	33016-00	1	Nut-Hex
35	104-3146	1	Holder-Front
36	104-3124	2	Washer-Flat
37	104-3147	1	Pin
38	104-3148	2	Clip-Hair Pin
41	104-3149	1	Rod-Height Adj.
42	104-3151	1	Pin-Cotter



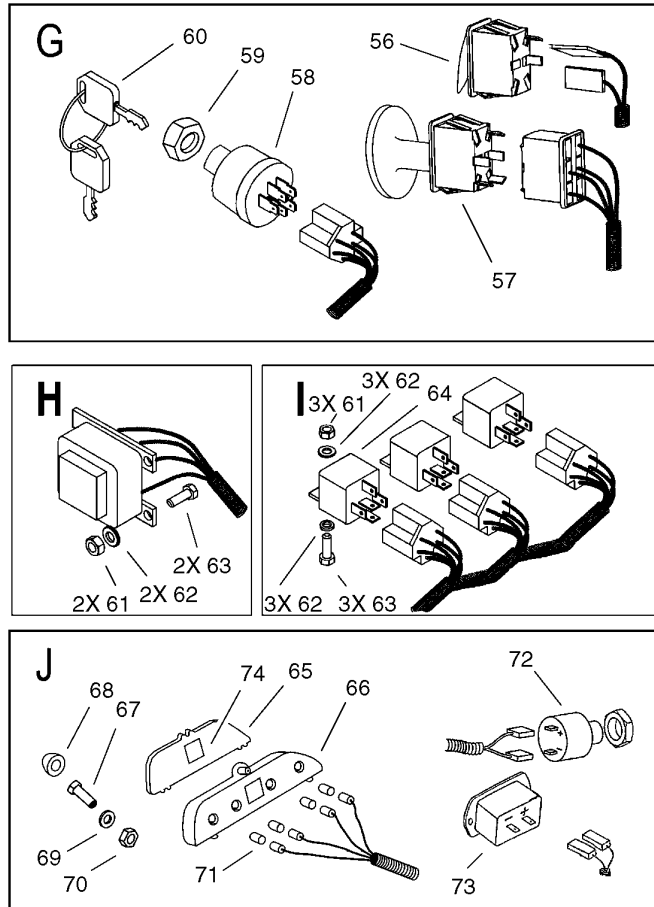
Electrical Assembly

Ref	Part No.	Qty.	Description
1	104-3152	1	Battery-12V
2	32128-32	2	Nut-HHF
3	33113-020	2	Screw-HH
4	104-3153	1	Clamp-Battery
5	104-3154	2	Boot-Rubber
6	104-3155	1	Cable-Battery, Negative
7	33024-00	3	Nut-Lock
12	3334-945	3	Tie-Cable
14	104-3156	1	Holder- Harness, Wiring
15	104-3157	11	Clip-Snap
16	88-4320	1	Harness-Wire, Lights
18	104-3158	2	Bulb-Light
19	104-3159	2	Socket-Light
20	104-3160	1	Harness-Clutch
21	104-3340	1	Harness-Wiring,
22	104-3163	1	Cap
23	104-3164	1	Bushing
24	104-3165	3	Bushing
25	104-3166	1	Cable-Battery Positive
26	104-3167	2	Clip-Nylon
27	104-3168	1	Bushing



Electrical Assembly (continued)

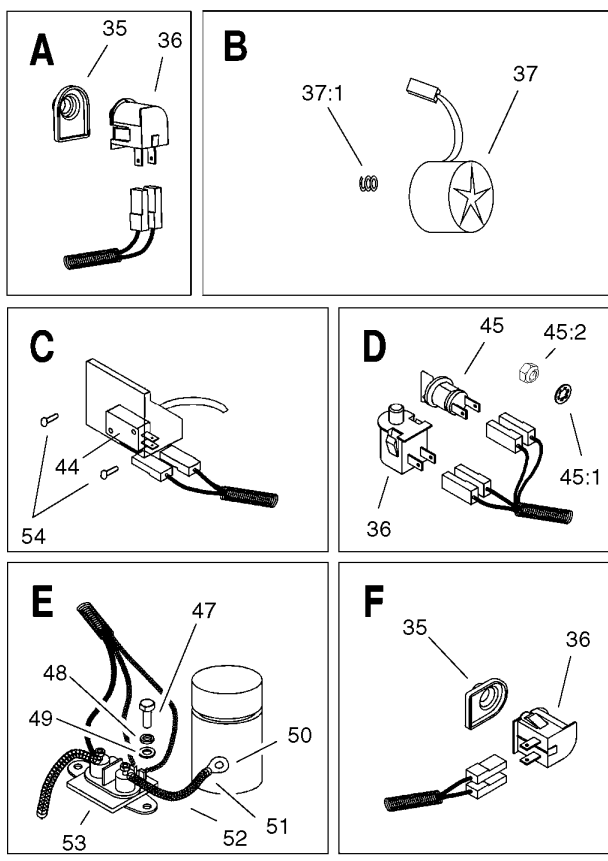
Ref	Part No.	Qty.	Description
35	104-3178	1	Cover-Protective
36	104-3179	1	Switch-Delta
74	99-3701	1	Module-Clutch
75	60-6910	2	Screw
76	52-6430	2	Washer
77	87-5140	2	Nut-Lock
78	104-3169	1	Circuit-Memory
79	104-3333	1	Holder-Switch
80	104-3190	2	Screw
81	104-3332	1	Holder-Switch
82	104-2980	2	Screw
83	95-1653	1	Switch-Pole, Single
84	104-2983	2	Screw
85	104-2985	3	Nut-Hex
86	104-3338	1	Switch-Delta
87	104-3339	1	Cover-Switch
90	104-3330	1	Switch-Delta
91	104-3331	2	Bolt
92	46-0430	2	Nut-Lock
93	52-6430	2	Washer
94	106-5765	1	Lever-Spring
95	104-3009	1	Screw-Hex
96	106-5766	1	Washer



Electrical Assembly (continued)

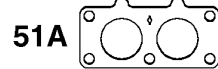
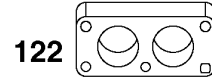
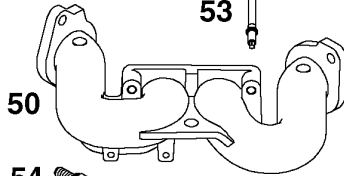
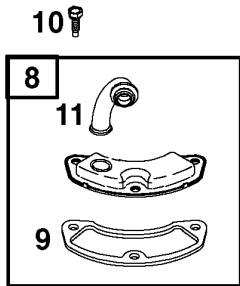
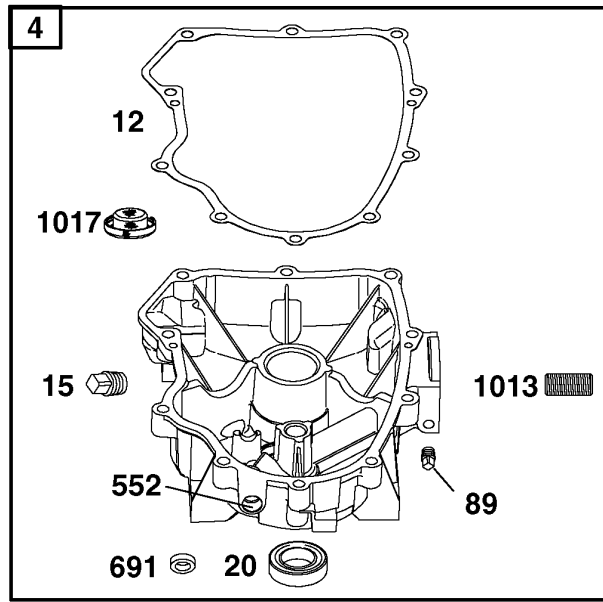
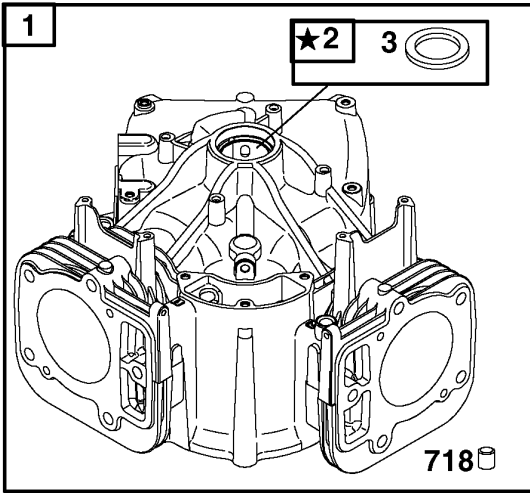
Ref	Part No.	Qty.	Description
56	93-0527	1	Switch-Cruise
57	93-9998	1	Switch-PTO
58	92-6785	1	Switch-Ignition
59	104-3172	1	Nut-Hex
60	62-7770	2	Key-Ignition
61	87-5140	5	Nut-Lock
62	104-2943	8	Washer-Flat
63	104-2978	5	Screw-Hex
64	104-3173	3	Relay
65	92-6705	1	Lens-Dash
66	92-6732	1	Housing-Light, Indicator
67	104-3191	3	Screw
68	104-3174	1	Screw-Cap
69	104-3175	3	Washer
70	104-2985	3	Nut-Hex
71	104-3176	4	Bulb
72	104-3177	1	Buzzer
73	94-4208	1	Hourmeter
74	104-2854	1	Decal-Dash

ELECTRICAL



Electrical Assembly (continued)

Ref	Part No.	Qty.	Description
35	104-3178	2	Cover-Protective
36	104-3179	3	Switch-Delta
37	99-8090	1	Magnet ASM
37:1	93-6601	1	Spring-Compression
44	104-3185	1	Switch-Omron
45	46-5780	1	Switch-Starter
45:1	3254-5	1	Washer-Tooth
45:2	218-461	1	Nut-HH
47	33113-012	2	Screw-HH
48	104-3186	2	Washer-Spring
49	33093-00	2	Washer-Flat
50	32128-32	1	Nut-HHF
51	104-3187	1	Boot-Rubber
52	104-3188	1	Lead-Starter, Electric
53	104-3189	1	Solenoid
54	104-3349	2	Screw



★ REQUIRES SPECIAL TOOLS TO INSTALL. SEE REPAIR INSTRUCTION MANUAL.

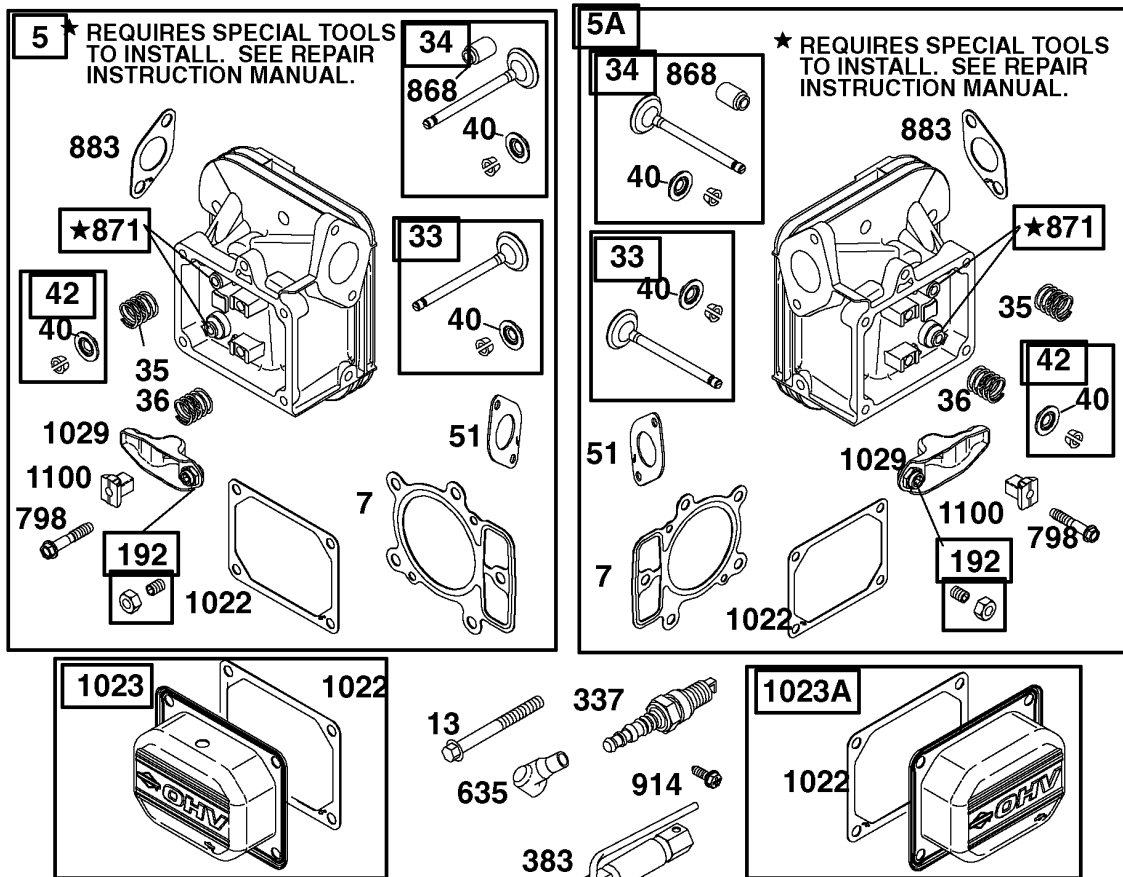
1058 OWNER'S MANUAL

Assemblies include all parts shown in frames.

Cylinder Assembly Engine Briggs and Stratton Model 406777-0157-E1

Ref	Part No.	Qty.	Description
1	690231	1	Cylinder Assembly
2	499585	1	Bushing And Seal Kit
3	391086	1	Seal-Oil
4	690069	1	Sump-Engine
8	499601	1	Breather ASM
9	273370	1	Gasket-Breather
10	690960	1	Screw
11	690942	1	Tube-Breather
12	273488	1	Gasket-Crankcase
15	94239	1	Plug-Pipe
20	690947	1	Seal-Oil
22	690308	1	Screw (Crankcase Cover/Sump)
50	690948	1	Manifold-Intake
51	273487	1	Gasket-Intake
51A	690950	1	Gasket-Intake
53	690951	1	Stud
54	94913	1	Screw-Torx Hex
89	690283	1	Plug-Oil
122	690952	1	Spacer-Carburetor
239	491657	1	Switch-Oil Pressure
250	690957	1	Retainer-Breather
252	690956	1	Collector-Oil

Ref	Part No.	Qty.	Description
552	690552	1	Bushing-Crank, Governor
654	94010	1	Nut
691	690657	1	Seal-Shaft, Governor
718	230192	1	Pin-Dowel
1013	690954	1	Nipple-Filter, Oil
1017	690770	1	Screen-Pump, Oil
1058	274277	1	Owner-S Manual

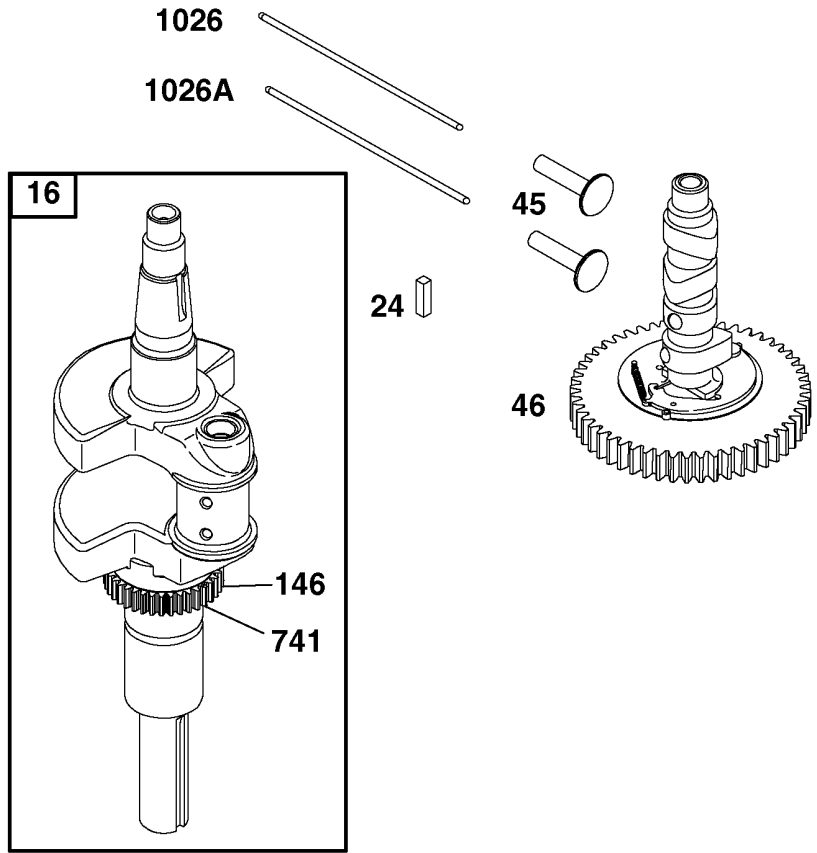
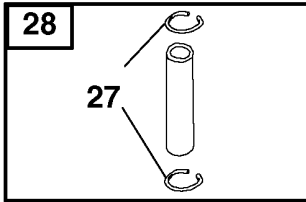
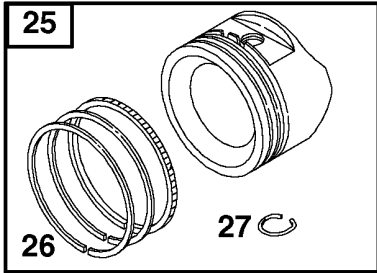
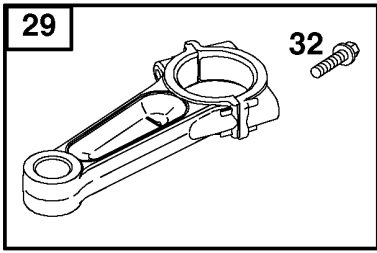


Assemblies include all parts shown in frames.

Cylinder Head Assembly Engine Briggs and Stratton Model 406777-0157-E1

Ref	Part No.	Qty.	Description
5	499587	1	Head-Cylinder(Cylinder #1)
5A	499595	1	Head-Cylinder (Cylinder #2)
883	690962	1	Gasket-Head, Cylinder
13	690360	1	Screw
33	499596	1	Valve-Exhaust
34	499597	1	Valve-Intake
35	690963	1	Spring-Valve
36	690963	1	Spring-Valve
40	263215	1	Retainer-Valve
42	499586	1	Keeper-Valve
871	273487	1	Gasket-Intake
192	690083	1	Adjuster-Arm, Rocker
337	691043	1	Spark Plug
383	19374	1	Wrench-Spark Plug
635	66538	0	Boot-Plug, Spark
798	690967	1	Screw (Rocker Arm)
868	690968	1	Seal-Valve
871	690969	1	Bushing-Valve Guide
883	690970	1	Gasket-Exhaust
914	690960	1	Screw
1022	273486	1	Gasket-Rocker Cover
1023	499599	1	Cover-Rocker
1023A	499600	1	Cover-Arm, Rocker

Ref	Part No.	Qty.	Description
1029	690972	1	Arm-Rocker
1100	690973	1	Pivot-Arm, Rocker

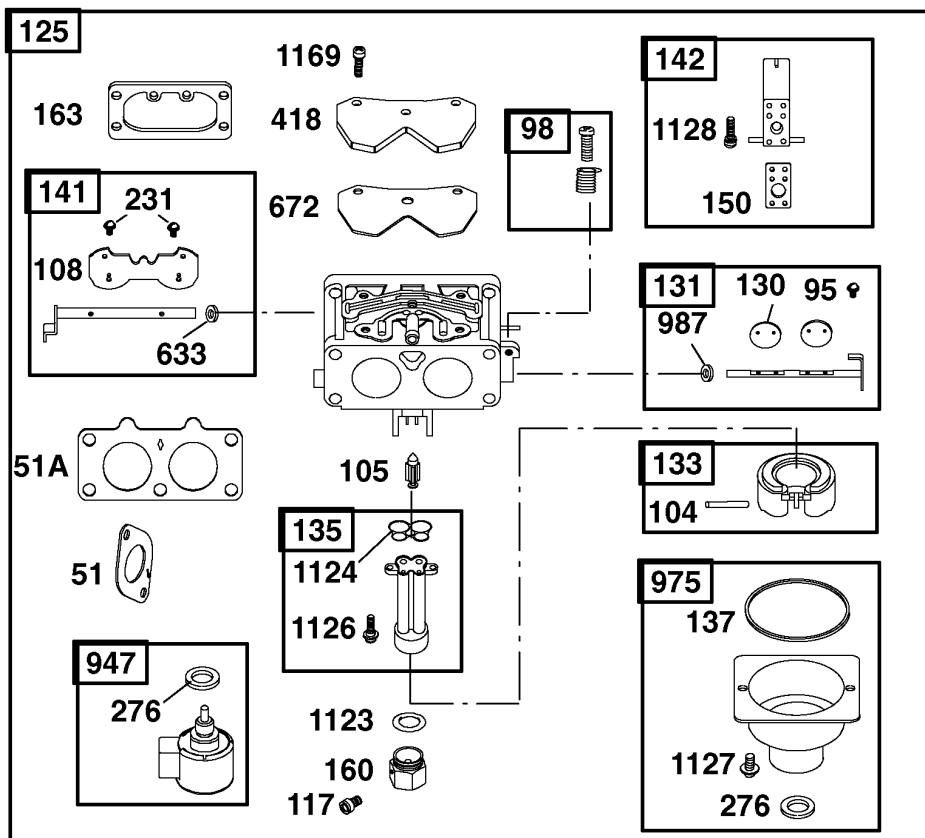


Assemblies include all parts shown in frames.

Crankshaft Assembly Engine Briggs and Stratton Model 406770-0157-E1

Ref	Part No.	Qty.	Description
16	691046	1	Crankshaft
24	222698	1	Key
25	499588	1	Piston ASM (Standard)
	499589	1	Piston Assembly (.010 Oversize)
	499590	1	Piston ASM (.020In Oversize)
	499591	1	Piston Assembly (.030 Oversize)
26	499604	1	Ring Set (Standard)
	499605	1	Ring Set (.010 Oversize)(Connecting Rod)
45	262679	1	Tappet-Valve
46	690978	1	Camshaft
146	94388	1	Key-Timing
741	690980	1	Gear-Timing
1026	690981	1	Rod-Push (Steel)
1026A	690982	1	Rod-Push (Aluminum)

--	--	--	--

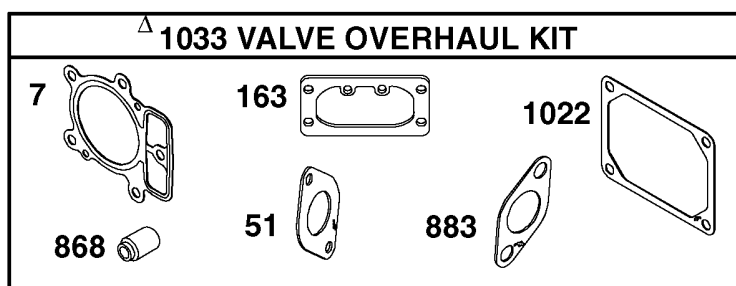
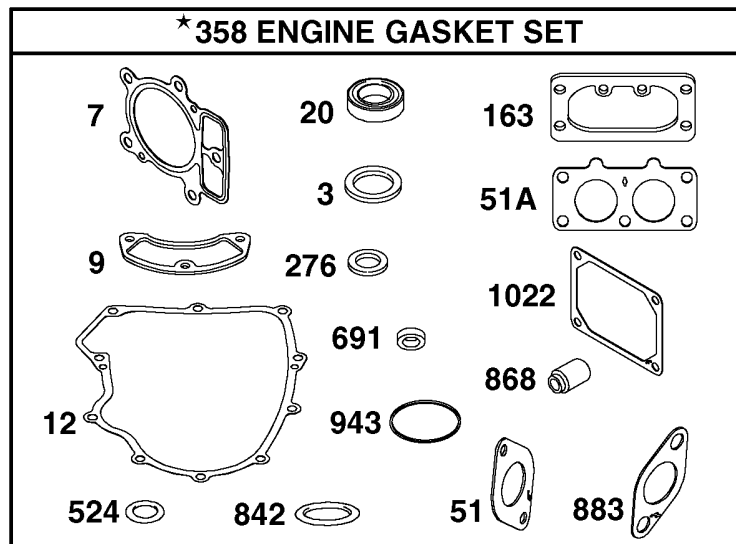
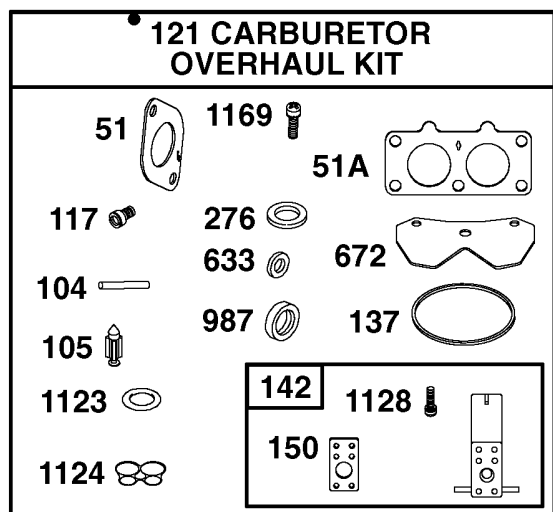
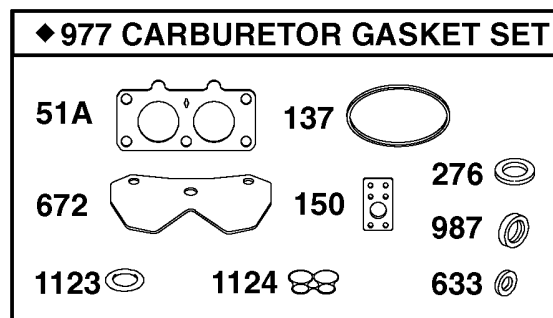


Assemblies include all parts shown in frames.

Carburetor Assembly Engine Briggs and Stratton Model 406777-0157-E1

Ref	Part No.	Qty.	Description
3 4 51	273487	1	Gasket-Intake
5			
3 4 51A	690950	1	Gasket-Intake
6			
95	690718	1	Screw
98	499802	1	Idle Speed Kit
4 104	690984	1	Guard-Muffler
4 105	690985	1	Valve-Float, Needle
108	690986	1	Valve-Choke
4 117	690232	1	Jet-Main
	690989	1	Jet-Main(High Altitude)
125	499804	1	Carburetor
130	690993	1	Valve-Throttle
131	499805	1	Throttle Shaft Kit
133	499806	1	Float-Carburetor
135	499803	1	Tube-Fuel Transfer
4 6 137	690994	1	Gasket-Bowl, Float
141	499807	1	Kit-Choke Shaft
142	D499808	1	Nozzle-Carburetor
4 6 150	690995	1	Gasket-Nozzle
160	690996	1	Retainer-Solenoid
3 5 163	273640	1	Gasket-Air Cleaner
231	690718	1	Screw
3 4 276	690997	1	Washer-Sealing
6			

Ref	Part No.	Qty.	Description
418	690999	1	Plate-Cover, Carburetor
4 6 633	690998	1	Seal-Shaft, Choke
4 6 672	690234	1	Gasket-Cover Plate, Carburetor
947	499809	1	Solenoid-Fuel
975	499810	1	Bowl-Float
4 6 987	691000	1	Seal-Shaft, Throttle
4 6 1123	690987	1	O-Ring Seal (Solenoid Retainer)
4 6 1124	690988	1	Seal-O Ring
1126	690991	1	Screw
1127	690992	1	Screw (Float Bowl)
4 1128	690990	1	Screw
4 1169	690990	1	Screw



Assemblies include all parts shown in frames.

Carburetor Overhaul Kit Assembly Engine Briggs and Stratton Model 406777-0157-E1

Ref	Part No.	Qty.	Description
③	391086	1	Seal-Oil
③⑤	690962	1	Gasket-Head, Cylinder
③	273370	1	Gasket-Breather
③	273488	1	Gasket-Crankcase
③	690947	1	Seal-Oil
③④	273487	1	Gasket-Intake
⑤			
③④⑤	690950	1	Gasket-Intake
④	690984	1	Guard-Muffler
④	690985	1	Valve-Float, Needle
④	690232	1	Jet-Main
121	499811	1	Carburetor Overhaul Kit
④⑥	690994	1	Gasket-Bowl, Float
④	499808	1	Nozzle-Carburetor
④⑥	690995	1	Gasket-Nozzle
③④	273640	1	Gasket-Air Cleaner
③④	690997	1	Washer-Sealing
⑥			
358	499889	1	Engine Gasket Set
③	691032	1	Seal-O Ring
④⑥	690998	1	Seal-Shaft, Choke
④⑥	690234	1	Gasket-Cover Plate, Carburetor
③	690657	1	Seal-Shaft, Governor
③	280393	1	O-Ring Seal

Ref	Part No.	Qty.	Description
③⑤	690968	1	Seal-Valve
③⑤	690970	1	Gasket-Exhaust
③	690589	1	Seal-O Ring
977	499812	1	Carburetor Gasket Set
④⑥	691000	1	Seal-Shaft, Throttle
③⑤	273486	1	Gasket-Rocker Cover
1033	499890	1	Valve Overhaul Kit
④⑥	690987	1	O-Ring Seal (Solenoid Retainer)
④⑥	690988	1	Seal-O Ring
④	690990	1	Screw
④	690990	1	Screw

