



170-DH Lawn Tractor

Model No. 74570 - 230000001 and up.

Parts Catalog

Ordering Replacement Parts

To order replacement parts, please supply the part number, the quantity, and the description of each part desired.

Understanding Reference Numbers

Each identified part in an illustration has a reference number. The reference number for a part also appears in the parts list, along with other information about the part.

This catalog uses two special reference number formats, one to indicate parts in a service assembly and another to indicate the quantity of a given part in an illustration.

Service Assembly Reference Numbers

Parts in service assemblies have reference numbers in the form a:b. The a represents the reference number of the entire service assembly and the b represents a sequential number unique to each part within the service assembly.

For example, a wheel assembly might be identified by reference number 6, the tire by 6:1, the valve by 6:2, and the wheel by 6:3. When you order the assembly identified by reference number 6, you receive all parts identified by reference numbers 6:1, 6:2, and 6:3. However, you may also order any part individually. Reference numbers of this type appear in illustrations and in part lists.

Reference Numbers Indicating Quantity

In an illustration, if a reference number indicates more than one part, the reference number has the form nX y. The n represents the quantity of the part, the X is the multiplication symbol, and the y represents the reference number.

For example, in an illustration, the reference number 2X 37 means that two of the parts identified by reference number 37 are indicated.

Contents

Description	Page	Description	Page
Body Assembly 4	Chute Collector Assembly 27
Front Axle Assembly 6	Cutting Pan, Mower Housing Assembly 28
Steering Assembly 7	Cutting Pan, Bag on Demand Assembly 29
Body Hood Assembly 8	Cutting Pan Drive Assembly 30
Engine Assembly 10	Mower Lift Assembly 31
Operation Brake/By-Pass Assembly 11	Electrical Wiring Harness Assembly 32
Travel Pedal Assembly 12	Electrical Switch Assembly 33
Transmission Drive Assembly 13	Electrical Switch Assembly (continued) 34
Control Shaft Assembly Transmission Assembly No. 104-2889 15	Electrical Switch Assembly (continued) 35
Differential Gear Assembly Transmission Assembly No. 104-2889 16	Cylinder Assembly Briggs and Stratton 31G777-0121-E1 36
Final Pinion Assembly Transmission Assembly No. 104-2889 17	Cylinder Head Assembly Briggs and Stratton 31G777-0121-E1 37
Axle Shaft Assembly Transmission Assembly No. 104-2889 18	Crankshaft Assembly Briggs and Stratton 31G777-0121-E1 38
Brake Assembly Transmission Assembly No. 104-2889 19	Crankcase Assembly Briggs and Stratton 31G777-0121-E1 39
Fan Pulley Assembly Transmission Assembly No. 104-2889 20	Oil Filter, Tube and Pump Assembly Briggs and Stratton 31G777-0121-E1 40
Range Shift Assembly Transmission Assembly No. 104-2889 21	Carburetor Assembly Briggs and Stratton 31G777-0121-E1 41
Center Case Assembly Transmission Assembly No. 104-2889 22	Governor Assembly Briggs and Stratton 31G777-0121-E1 42
Pump Shaft Assembly Transmission Assembly No. 104-2889 23	Blower Housing Assembly Briggs and Stratton 31G777-0121-E1 43
Motor Shaft Assembly Transmission Assembly No. 104-2889 24	Starter Assembly Briggs and Stratton 31G777- 0121-E1 44
Transaxle Case Assembly Transmission Assembly No. 104-2889 25	Gasket Assembly Briggs and Stratton 31G777- 0121-E1 45
Grass Collector Assembly 26	Carburetor Overhaul Kit Assembly Briggs and Stratton 31G777-0121-E1 46

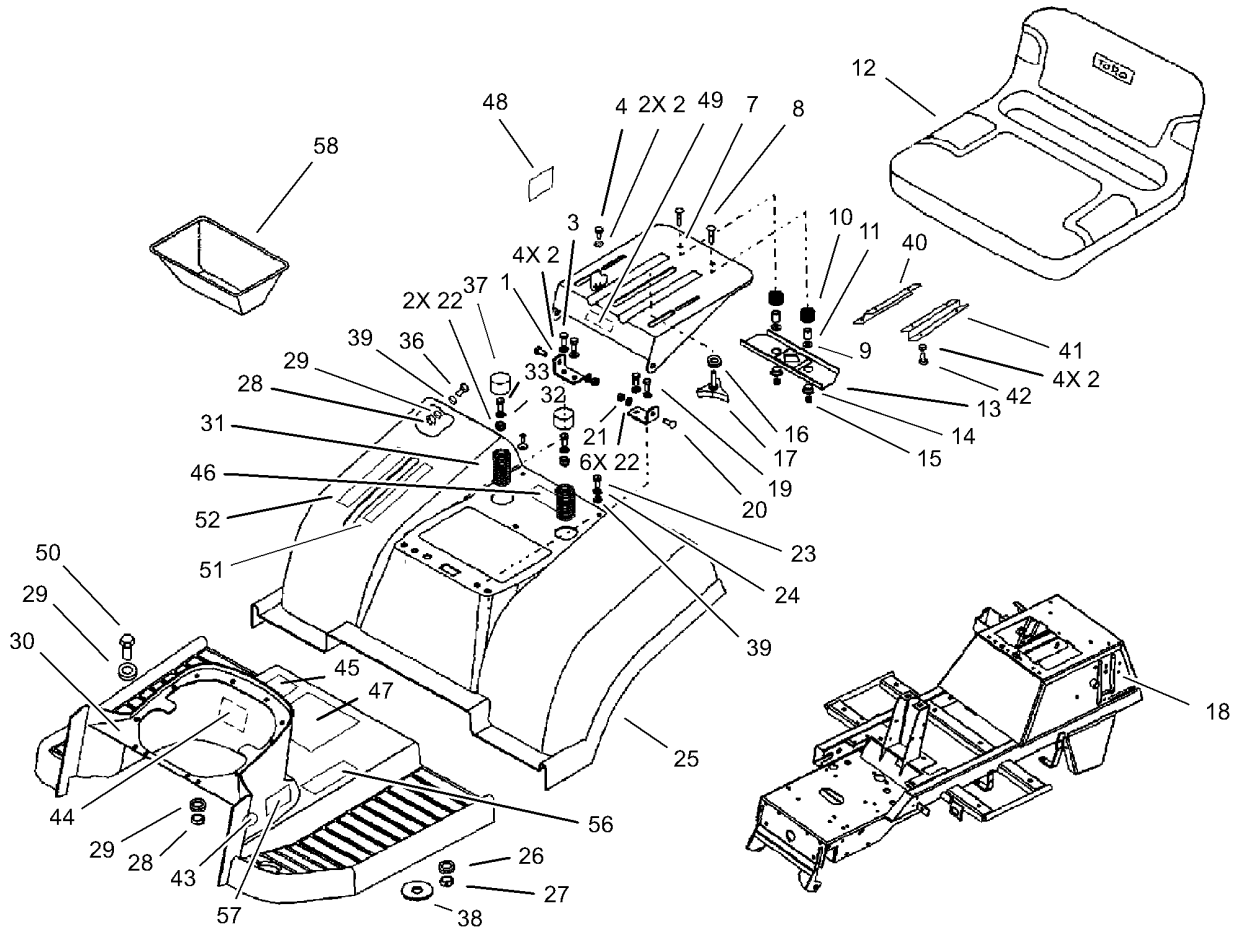
Part Description Abbreviations

Part descriptions in this catalog may include the following abbreviations.

AR.	as required	HYD.	hydraulic
ASM.	assembly	LH.	left hand
BBC.	blade brake clutch	NI.	nylon insert
CARR.	carriage	NPTF.	national pipe thread fine
DEG.	degrees	PFH.	phillips flat head
EXT.	external	PPH.	phillips pan head
FH.	flat head	PPHTF.	phillips pan head thread forming
GA.	gauge	PRH.	phillips round head
HD.	heavy-duty	PTH.	phillips truss head
HF.	hex flange	PTO.	power-take-off
HH.	hex head	RH.	right hand
HHF.	hex head flange	ROPS.	roll-over protection system
HHFTF.	hex head flange thread forming	SFH.	slotted fillister head
HJ.	hex jam	SHH.	slotted hex head
HLH.	hex lag head	SHWH.	slotted hex washer head
HOC.	height-of-cut	SPH.	slotted pan head
HSBH.	hex socket button head	SQH.	square head
HSFH.	hex socket flat head	SRH.	slotted round head
HSH.	hex socket head	STD.	standard
HWH.	hex washer head	TAP.	self tapping
HWHTF.	hex washer head thread forming	TTH.	torx truss head

Footnotes

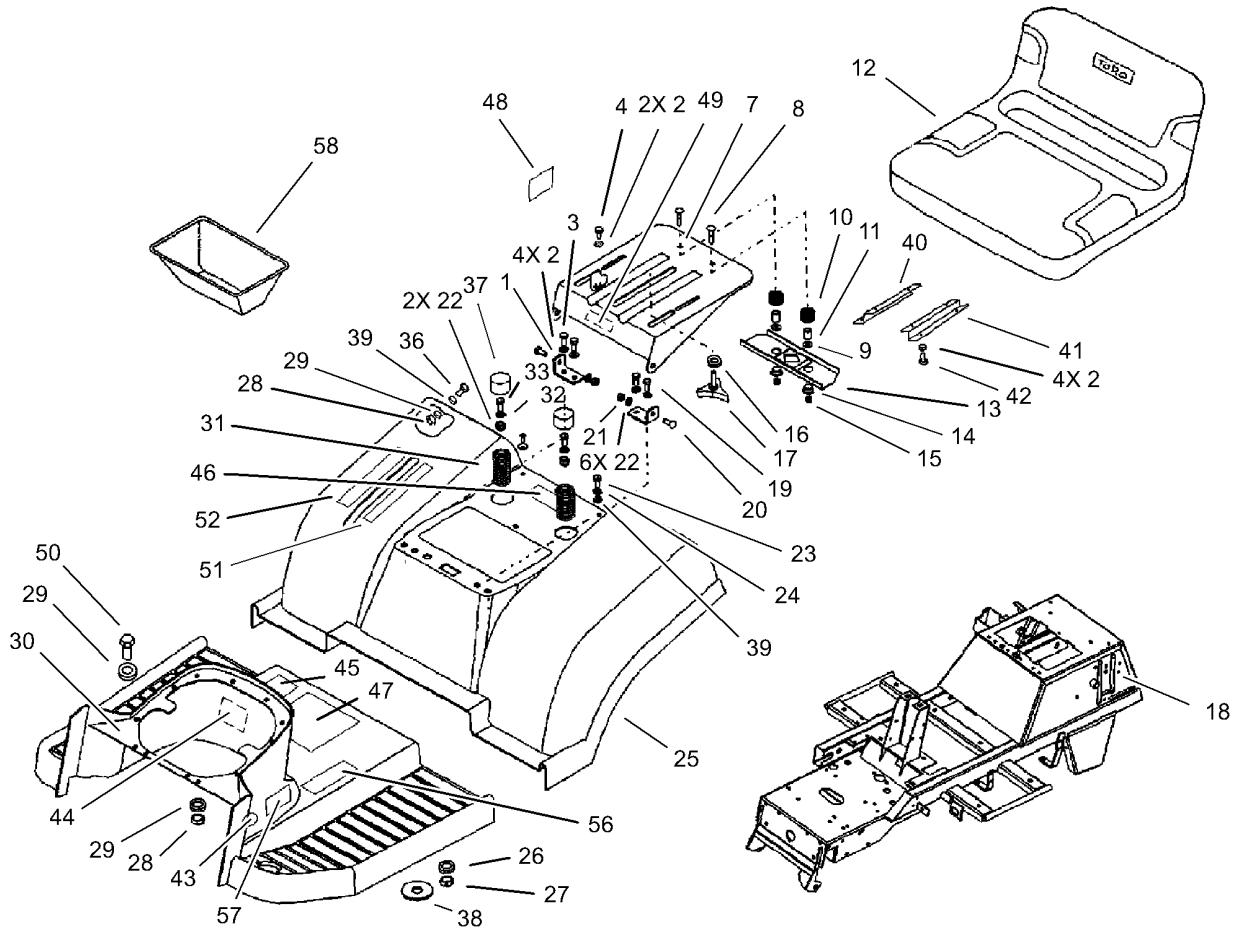
- | | | | |
|---|---|---|---|
| ❶ | Not illustrated | ❷ | Not serviced separately |
| ❸ | Included in Engine Gasket Set-Ref. 358. | ❹ | Included in Valve Gasket Set-Ref. 1095. |
| ❺ | Included in Carburetor Overhaul Kit-Ref. 121. | ❻ | Included in Carburetor Gasket Set-Ref. 977. |
| ❽ | Obtain from your local Briggs & Stratton dealer | | |



Body Assembly

Ref	Part No.	Qty.	Description
1	104-2926	2	Bracket-Support, Seat
2	42-9850	10	Washer-Lock, Spring
3	33114-025	4	Screw-HH
4	104-3192	2	Bolt-Hex
7	104-2929	1	Support-Seat
8	104-2930	2	Bolt-Carriage
9	104-2931	2	Washer-Flat
10	104-2932	2	Spring-Seat
11	104-2933	2	Spacer-Split
12	88-3950	1	Seat
13	104-2934	1	Bracket
14	104-2935	2	Bushing
15	33023-00	2	Nut-Lock
16	104-2936	2	Washer-Spring
17	104-2937	2	Knob-Adj.
18	104-2938	1	Frame-Chassis
19	33114-030	1	Screw-HH
20	104-2939	2	Screw-Support, Seat
21	33094-00	6	Washer-Plain
22	33024-00	8	Nut-Lock
23	104-2940	2	Screw-HSFH
24	104-2941	2	Washer-Finish
25	106-5752	1	Fender
26	33095-00	4	Washer-Flat

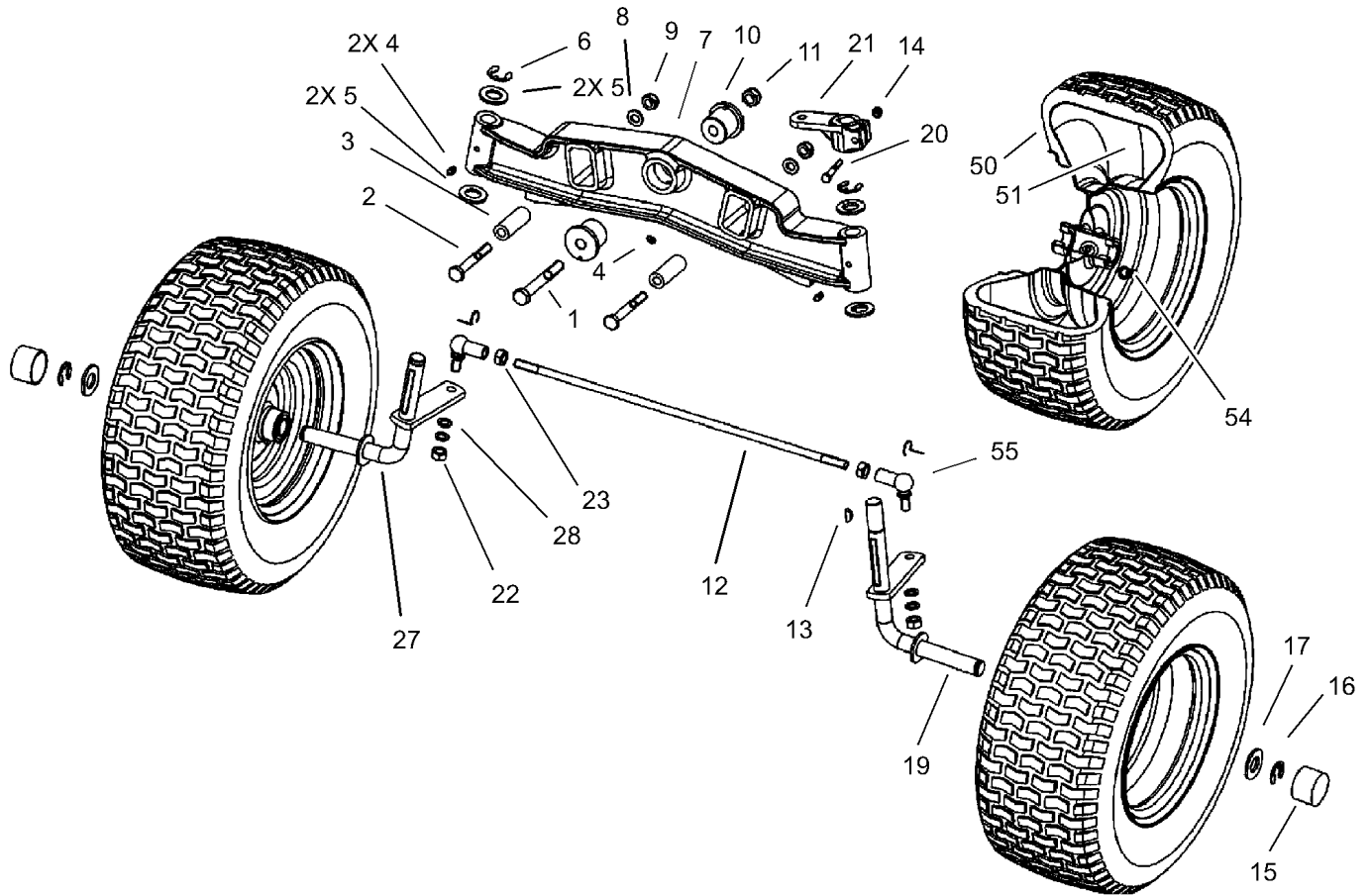
Ref	Part No.	Qty.	Description
27	33025-00	4	Nut-Lock
28	87-5140	6	Nut-Lock
29	104-2943	6	Washer-Flat
30	104-2944	1	Footrest ASM
31	104-2945	2	Spring-Seat
32	104-2946	6	Washer-Plain
33	33114-020	2	Screw-HH
36	104-2948	6	Bolt-Carriage
37	104-2857	2	Cap-Hub
38	104-2951	2	Washer-Rubber
39	104-2952	2	Washer-Rubber
40	104-2953	1	Bracket-Right Seat
41	104-2954	1	Bracket-Left Seat
42	104-3195	4	Screw
43	104-3237	1	Decal-Brake, Parking
44	104-3238	1	Decal-Starting
45	104-3241	1	Decal-Operation, Hydro
46	104-3242	1	Decal-Bag To Frame
47	104-2903	1	Decal-Instruction
48	99-5340	1	Decal-Switch
49	93-7276	1	Decal-Danger
50	60-6910	6	Screw
51	104-3239	1	Decal-HOC, LH
52	104-3240	1	Decal-HOC, RH



Body Assembly (continued)

Ref	Part No.	Qty.	Description
56	106-8552	1	Decal-Operation
57	106-8553	2	Decal-Tower
58	106-5756	1	Box-Battery

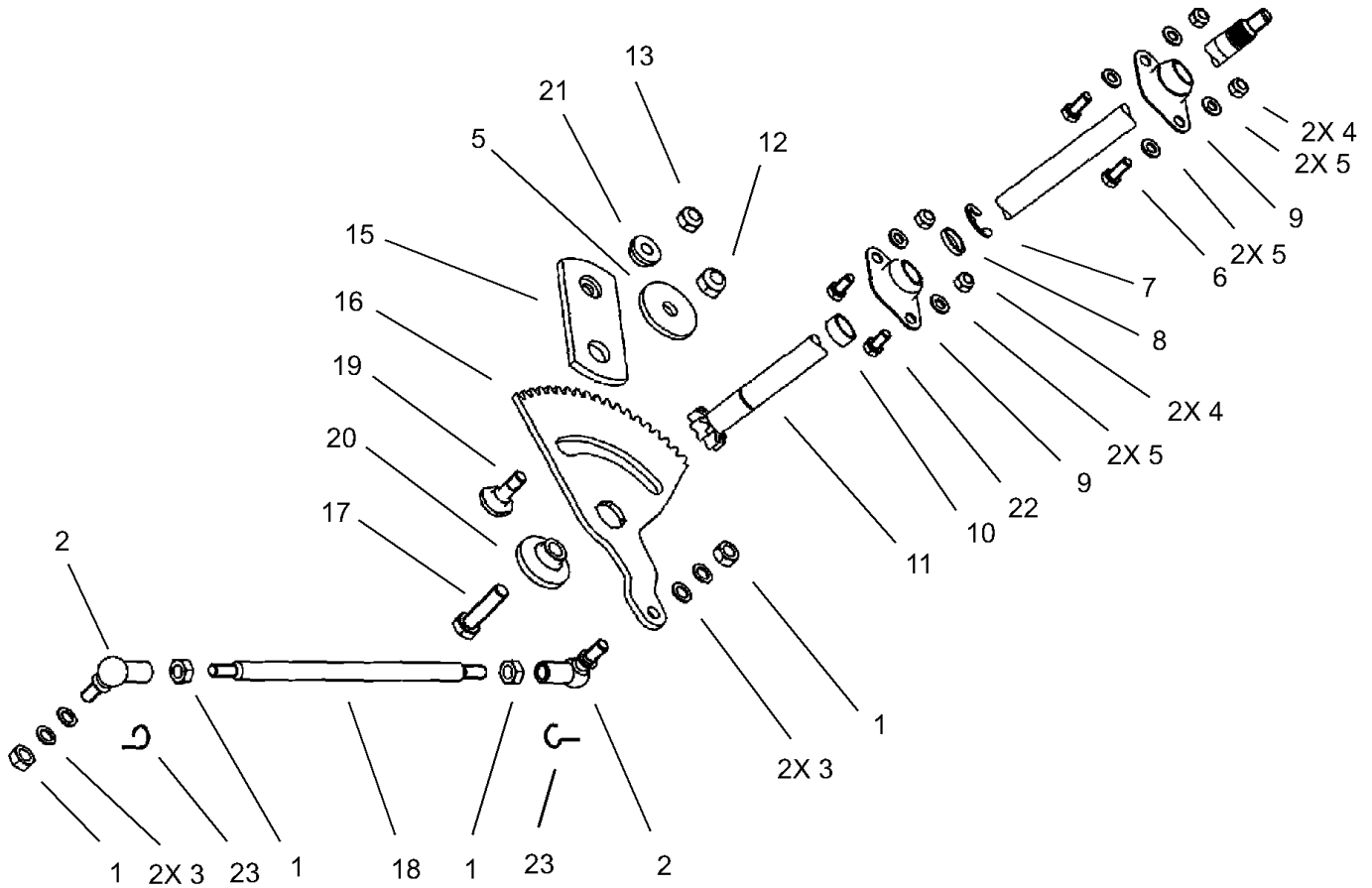
--	--	--	--



Front Axle Assembly

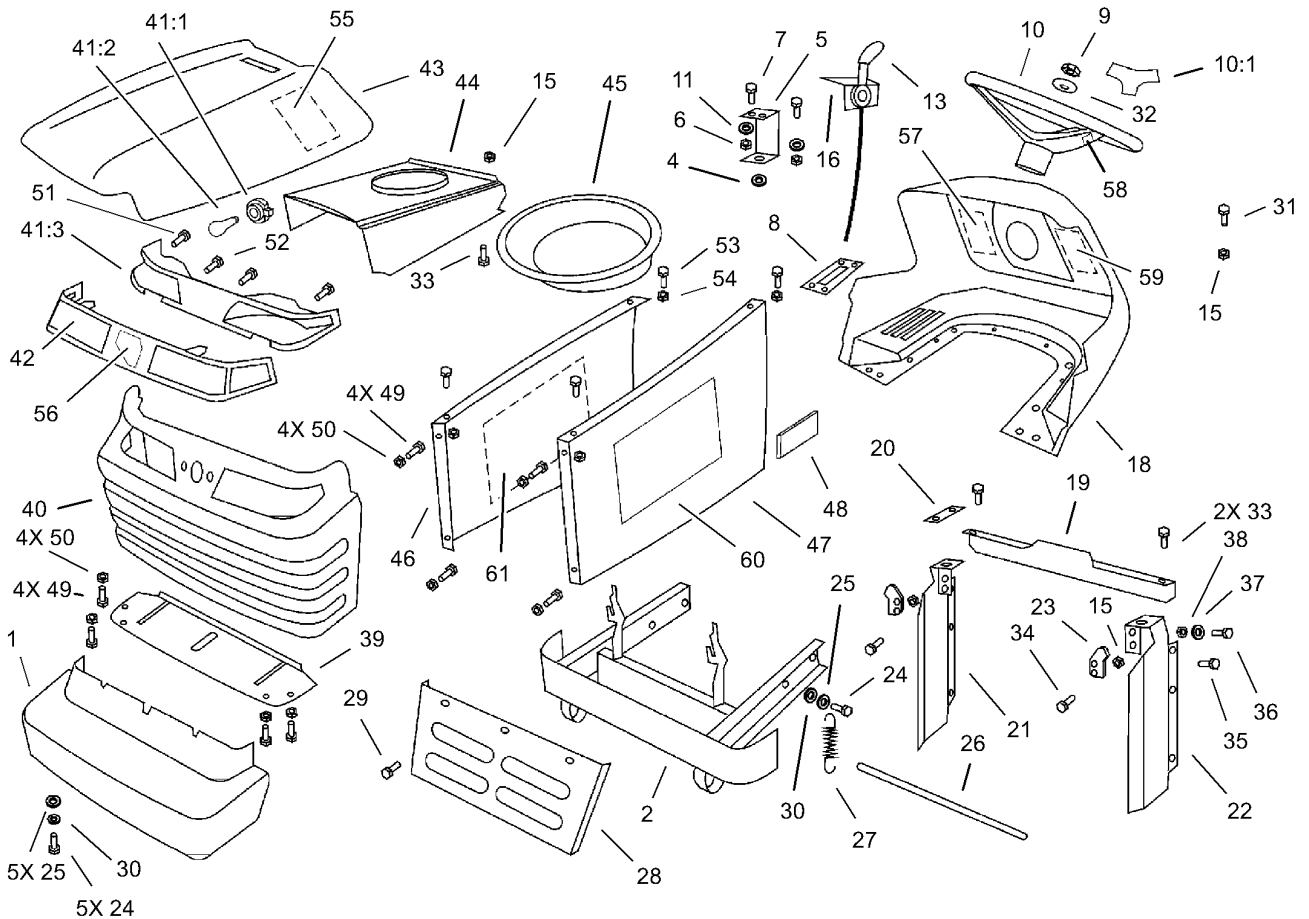
Ref	Part No.	Qty.	Description
1	33116-090	1	Screw-HH
2	33115-080	2	Screw-HH
3	104-2851	2	Spacer
4	104-2904	3	Fitting-Grease
5	104-2905	4	Washer-Flat
6	104-2891	2	Clip-Spring
7	104-2852	1	Axle-Front
8	104-2906	2	Washer-Flat
9	33025-00	2	Nut-Lock
10	104-2890	2	Bushing-Axle, Front
11	104-2907	1	Nut-Self Locking
12	104-2855	1	Rod-Tie, Front Axle
13	104-2856	1	Key-Woodruff
14	33023-00	1	Nut-Lock
15	104-2857	2	Cap-Hub
16	104-2891	2	Clip-Spring
17	104-3206	2	Washer
19	104-2861	1	Spindle-LH
20	33113-045	1	Screw-HH
21	104-2862	1	Lever-Spindle, Steering
22	33015-00	2	Nut-Hex
23	21-0360	2	Nut-Hex
27	104-2867	1	Spindle-RH
28	106-5757	4	Washer

Ref	Part No.	Qty.	Description
50	104-2868	2	Tyre -Turf Saver, 2-Ply
51	104-2870	2	Tube
54	104-2875	2	Valve-Tyre
55	104-2876	2	Joint-Ball, Angle



Steering Assembly

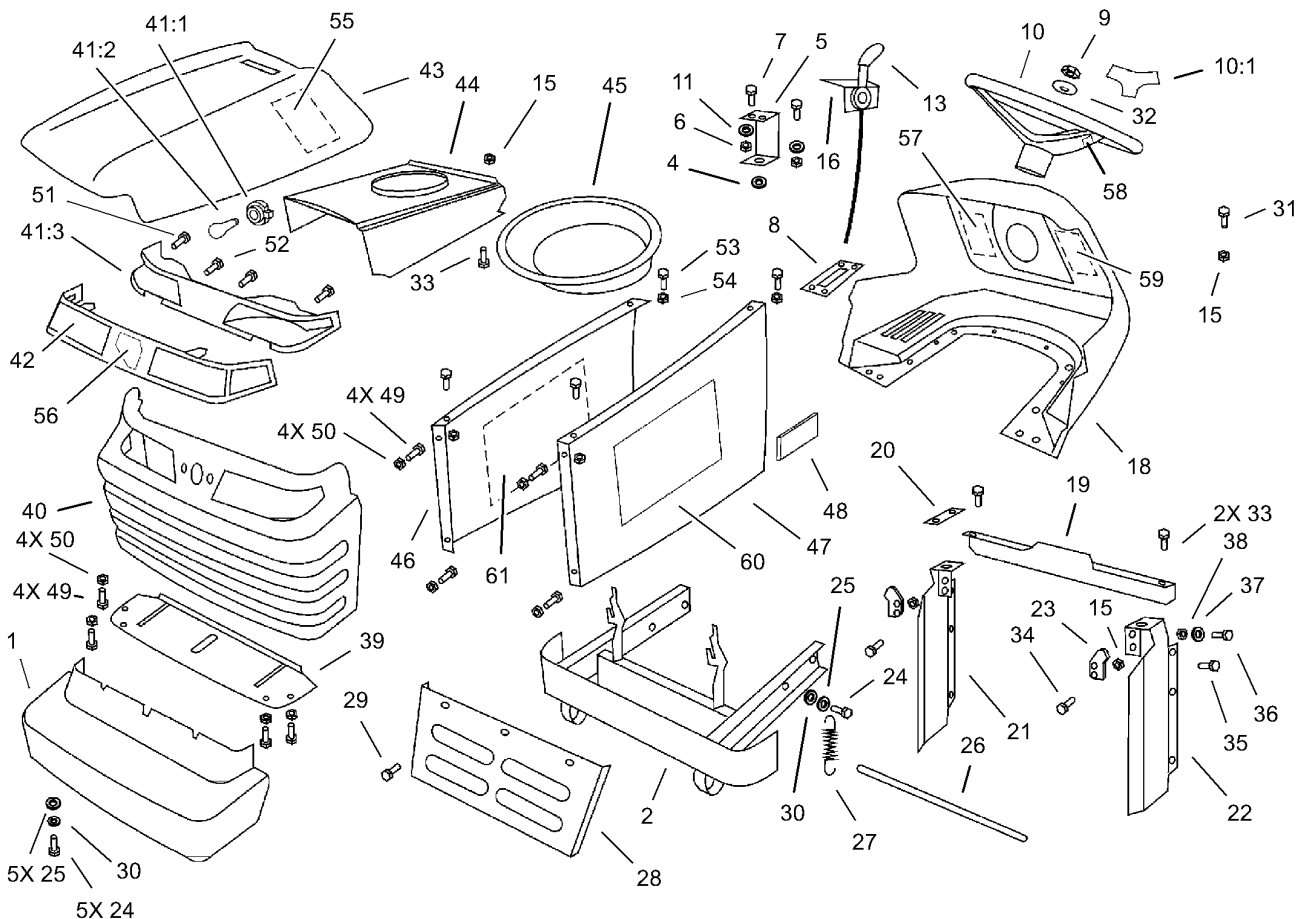
Ref	Part No.	Qty.	Description
1	33015-00	4	Nut-Hex
2	104-2876	2	Joint-Ball, Angle
3	106-5757	4	Washer
4	33024-00	4	Nut-Lock
5	33094-00	6	Washer-Plain
6	33114-020	2	Screw-HH
7	104-2891	1	Clip-Spring
8	104-2877	1	Spacer-Upper
9	104-2878	2	Bearing-Spherical
10	104-2879	1	Spacer-Lower
11	106-5773	1	Shaft-Steering
12	33026-00	1	Nut-Lock
13	33025-00	1	Nut-Lock
15	105-1238	1	Plate-Steering
16	104-2883	1	Gear-Sector
17	104-2910	1	Screw-Hex
18	104-2886	1	Link-Drag
19	105-1239	1	Bolt-Shoulder
20	105-1240	1	Pivot-Steering
21	105-1241	1	Bushing
22	33114-016	2	Screw-HH
23	104-2865	2	Stirrups-Locking



Body Hood Assembly

Ref	Part No.	Qty.	Description
1	104-2955	1	Cover-Bumper
2	104-2956	1	Bumper
3	104-2957	1	Hood ASM
4	104-2959	1	Bushing
5	104-2960	1	Holder-Tank, Fuel
6	33023-00	2	Nut-Lock
7	104-2961	2	Screw
8	104-2962	1	Brace
9	33026-00	1	Nut-Lock
10	98-1471	1	Wheel-Steering
10:1	98-1468	1	Cover-Wheel, Steering
11	33094-00	2	Washer-Plain
13	66-0120	1	Knob
15	87-5140	14	Nut-Lock
16	106-4166	1	Cable-Throttle And Choke
18	104-2968	1	Panel-Dash
19	104-2970	1	Brace
20	104-2971	1	Bracket
21	104-2972	1	Panel-Right
22	104-2973	1	Panel-Left
23	92-6960	2	Latch-Hood
24	33114-020	6	Screw-HH
25	104-2946	6	Washer-Plain
26	104-2974	1	Bar-Safety

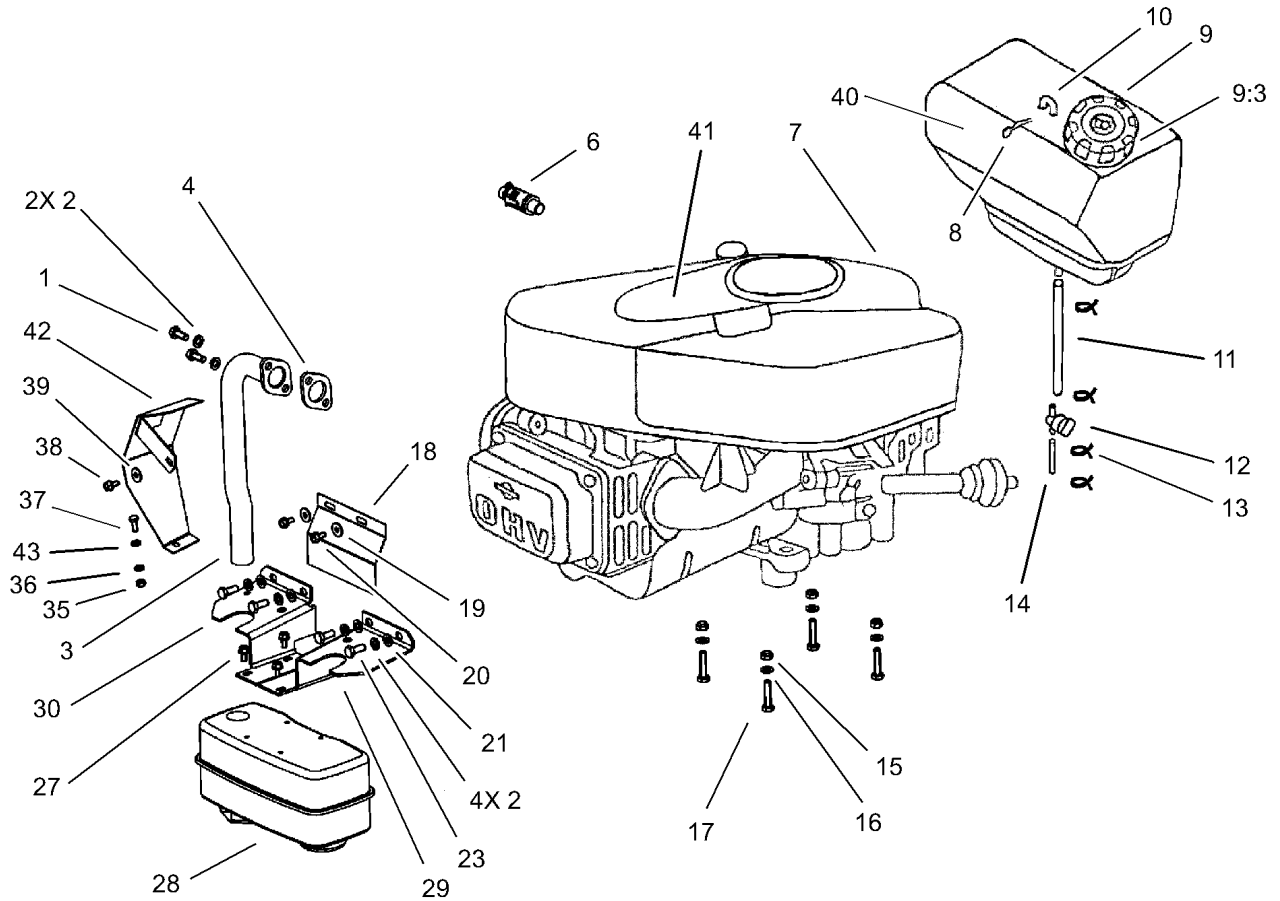
Ref	Part No.	Qty.	Description
27	104-2975	1	Spring-Hood
28	104-2976	1	Shield-Heat
29	104-2977	3	Screw-Slf Drl
30	42-9850	5	Washer-Lock, Spring
31	106-5759	2	Screw
32	106-5758	1	Washer
33	104-2980	6	Screw
34	104-2981	4	Screw
35	104-2982	4	Screw
36	104-2983	2	Screw
37	104-3175	6	Washer
38	104-2985	6	Nut-Hex
39	104-2986	1	Bracket
40	100-1344	1	Grill
41	88-3970	1	Reflector And Lamp ASM
41:1	111686	2	Socket-Light
41:2	7228	2	Bulb
41:3	93-8741	1	Reflector
42	92-6656	1	Lens - Headlight
43	92-6658	1	Hood-Top
44	104-3245	1	Hood - Baffle
45	104-2988	1	Plenum-Air
46	92-6650	1	Side-Hood, RH
47	92-6652	1	Side-Hood, LH



Body Hood Assembly (continued)

Ref	Part No.	Qty.	Description
48	92-7148	2	Foam-Sidepanel
49	104-2990	8	Screw
50	104-2991	8	Nut-Hex
51	46-8093	2	Screw-Plastite
52	32144-32	2	Screw
53	32105-15	4	Screw
54	92-7006	4	Nut
55	94-1980	2	Foam-Hood
56	92-6987	1	Emblem-Horsehead
57	104-3236	1	Decal-Choke/Throttle/Key
58	98-1459	1	Decal
59	104-3235	1	Decal-PTO
60	106-5842	1	Decal-Hood LH
61	106-5843	1	Decal-Hood RH

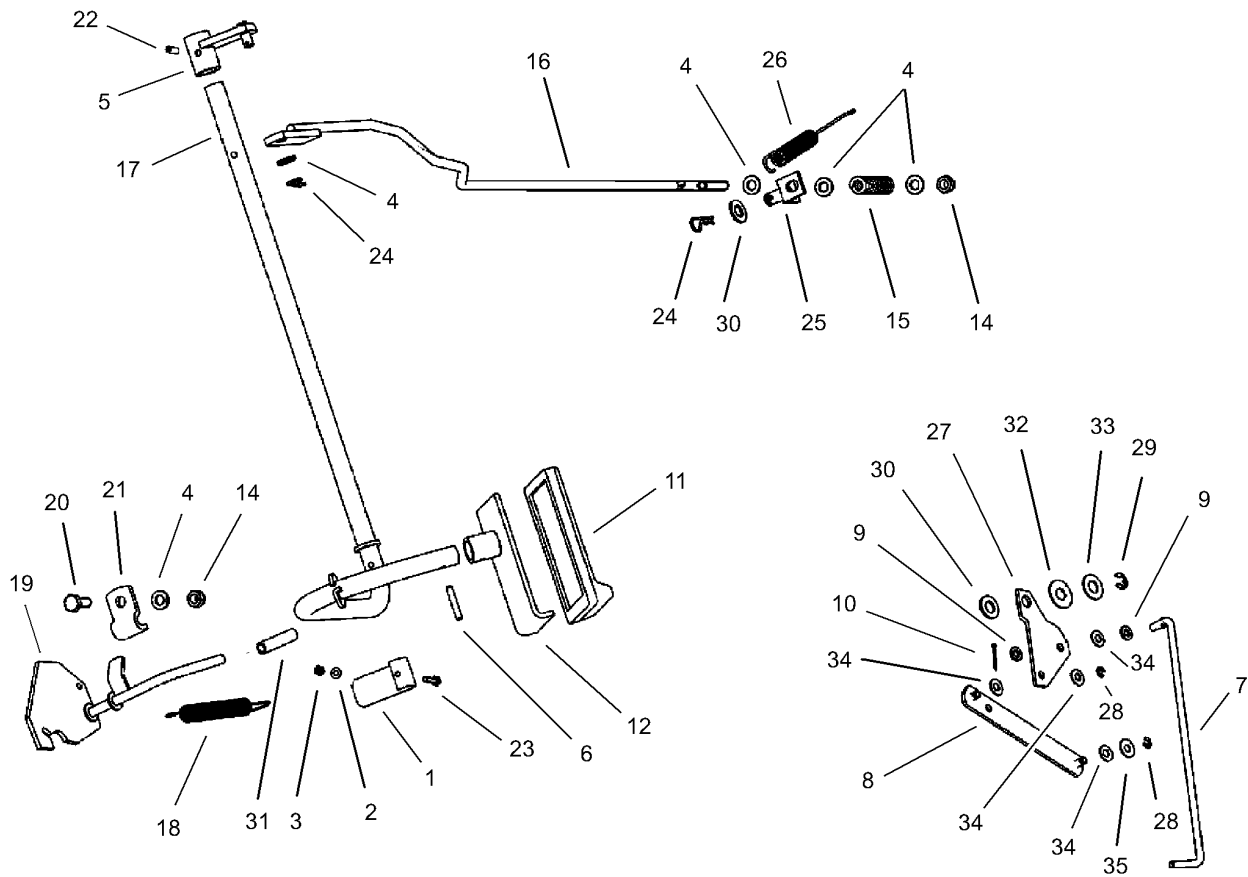
--	--	--	--



Engine Assembly

Ref	Part No.	Qty.	Description
1	322-3	2	Screw-HH
2	42-9850	6	Washer-Lock, Spring
3	104-3221	1	Tube-Exhaust
4	88-4410	1	Gasket-Muffler
6	104-3208	1	Valve-Oil Drain
27		1	Engine, 17.5 Briggs And Stratton Model No. 31G777-0121-E1
8	104-3144	1	Pin-Hair
9	88-3980	1	Gas Cap ASM
9:3	88-4010	1	Gasket-Cap, Gas
10	104-3057	1	Tank-Fuel
11	104-3211	1	Line-Fuel
12	104-3224	1	Valve-Tank, Fuel
13	104-3212	4	Clamp-Line, Fuel
14	104-3213	1	Line-Fuel
15	33024-00	4	Nut-Lock
16	33094-00	4	Washer-Plain
17	33114-035	4	Screw-HH
18	104-3222	1	Cover-Front
19	104-2931	2	Washer-Flat
20	106-5763	2	Screw
21	33094-00	4	Washer-Plain
23	33114-020	4	Screw-HH
27	106-5763	4	Screw

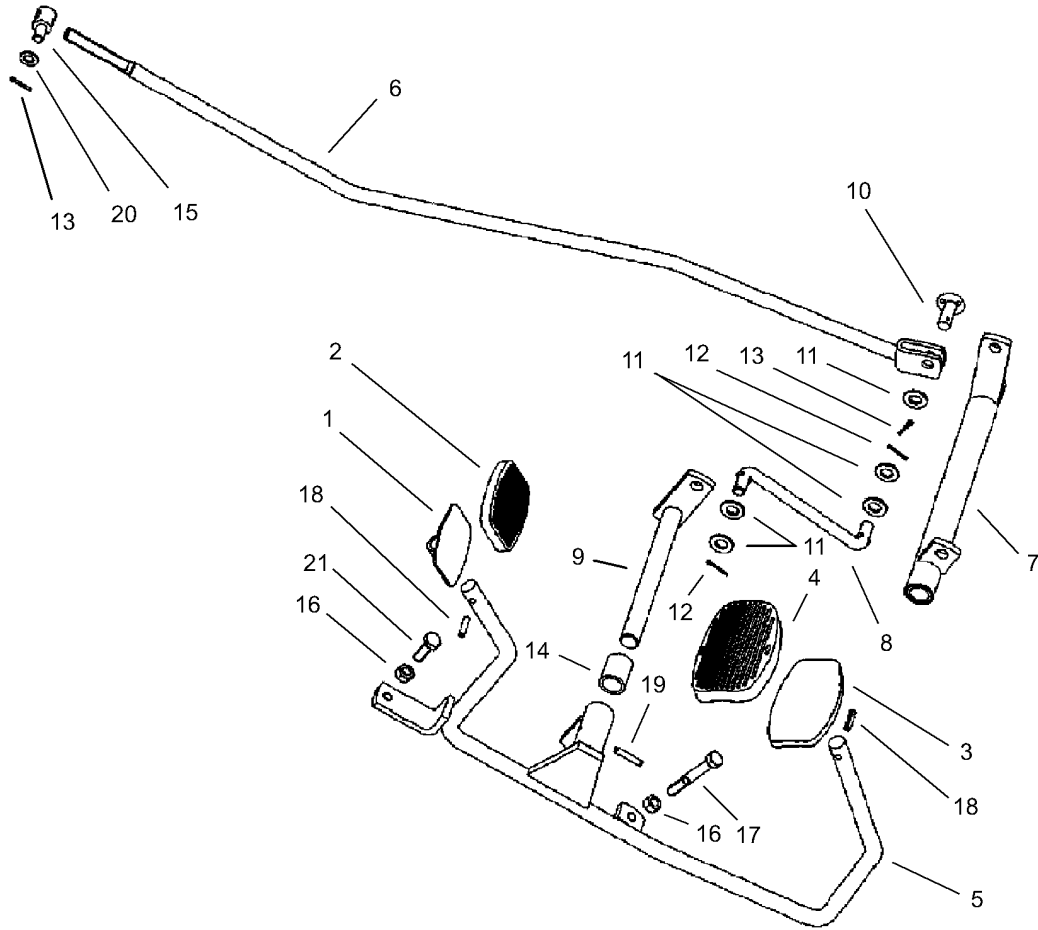
Ref	Part No.	Qty.	Description
28	104-3229	1	Muffler
29	104-3214	1	Guard-Muffler, LH
30	104-3215	1	Guard-Muffler, RH
35	33013-00	1	Nut-Hex
36	104-3186	1	Washer-Spring
37	33113-016	1	Screw-HH
38	106-5763	1	Screw
39	104-2931	1	Washer-Flat
40	104-3220	1	Tank-Fuel W/Cap
41	106-8555	1	Decal-Engine
42	105-1242	1	Cover-Manifold, Exhaust
43	33093-00	1	Washer-Flat



Operation Brake/By-Pass Assembly

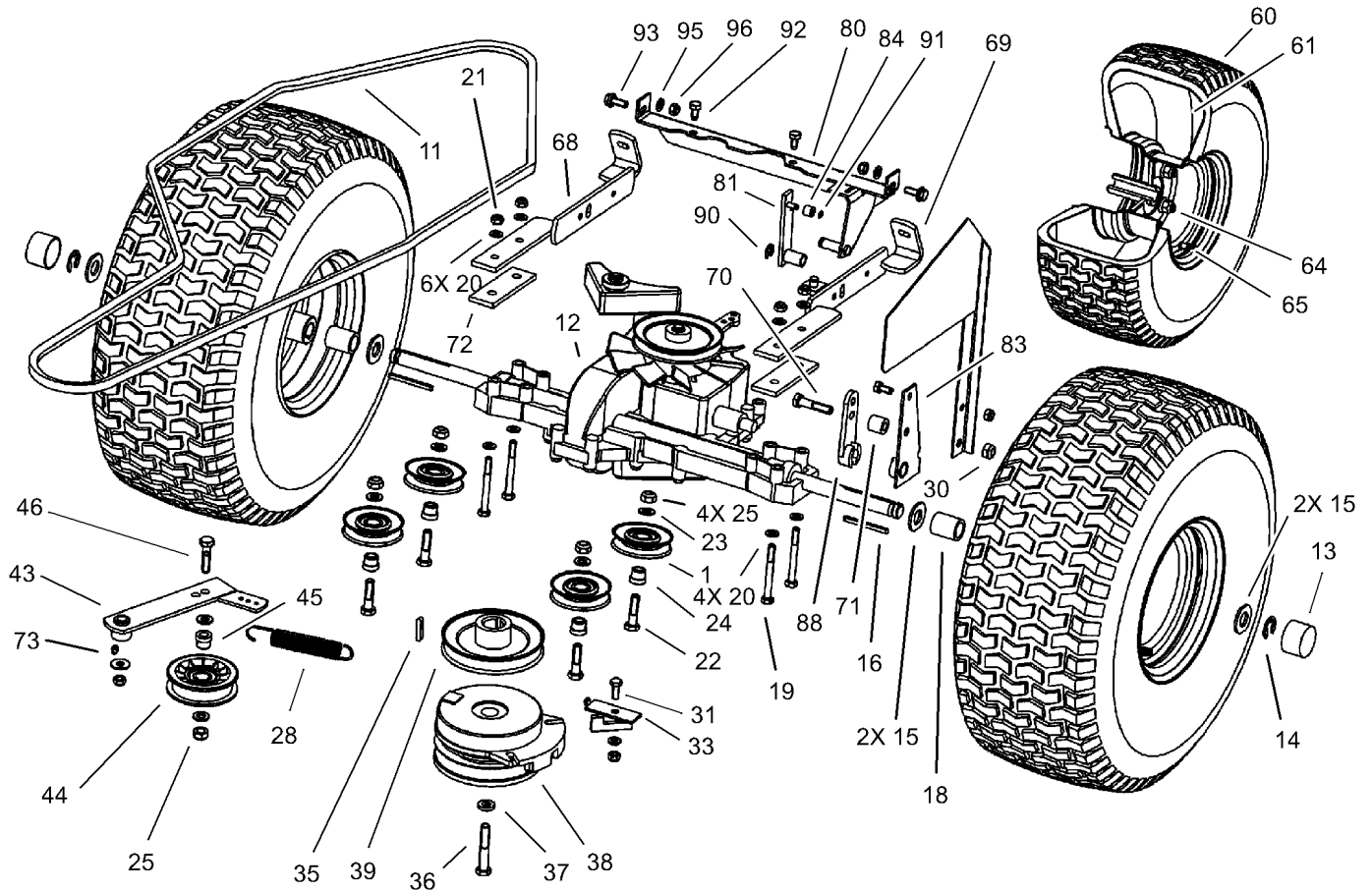
Ref	Part No.	Qty.	Description
1	104-2992	1	Lever-Spring
2	104-2984	1	Washer
3	104-2985	1	Nut-Hex
4	33094-00	5	Washer-Plain
5	104-2993	1	Bracket-Rod, Brake
6	104-2994	1	Pin-Spring
7	104-2995	1	Rod-Lever, Bypass
8	104-3324	1	Lever-Bypass
9	104-3193	2	Washer
10	104-2997	1	Pin-Cotter
11	104-2998	1	Pad-Pedal
12	104-2999	1	Pedal
14	33024-00	2	Nut-Lock
15	104-3002	1	Spring-Brake
16	104-3003	1	Rod-Connecting, Brake
17	104-3004	1	Shaft-Brake
18	104-3005	1	Spring-Brake, Hand
19	104-3006	1	Lever-Brake, Hand
20	33114-020	1	Screw-HH
21	104-3007	1	Clamp-Lever, Parking Brake
22	104-3008	1	Pin-Spring
23	104-3009	1	Screw-Hex
24	104-3016	2	Pin-Cotter
25	104-3011	1	Bracket-Rod, Brake

Ref	Part No.	Qty.	Description
26	104-3012	1	Spring
27	104-3323	1	Plate-Bypass
28	104-3014	2	Stirrup
29	104-3015	1	Stirrup
30	33095-00	2	Washer-Flat
31	104-3247	1	Cap
32	106-5768	1	Washer
33	106-5769	1	Washer
34	106-5770	4	Washer
35	106-5771	1	Washer



Travel Pedal Assembly

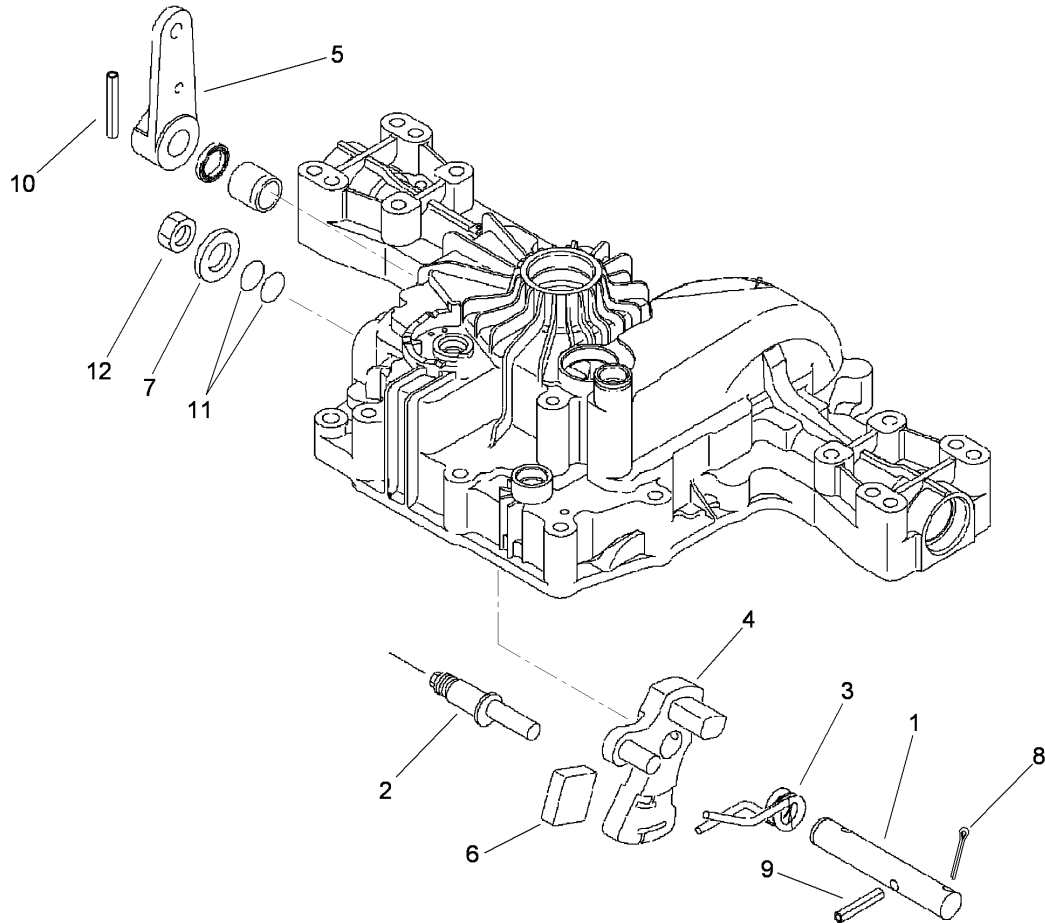
Ref	Part No.	Qty.	Description
1	104-3017	1	Pedal-Rear, Travel
2	104-3018	1	Pad-Pedal
3	104-3019	1	Pedal-Travel, Front
4	104-3020	1	Pad-Pedal, Front
5	104-3021	1	Pad-Travel
6	104-3022	1	Rod-Tie
7	104-3023	1	Shaft-Diagonal
8	104-3024	1	Link-Formed
9	104-3025	1	Shaft-Diagonal
10	104-3026	1	Pin
11	33095-00	5	Washer-Flat
12	104-3016	2	Pin-Cotter
13	104-3027	2	Pin-Cotter
14	104-3028	1	Spacer
15	104-3029	1	Pin
16	33014-00	2	Nut-Hex
17	43-3220	1	Capscrew-HH
18	104-3008	2	Pin-Spring
19	104-3030	1	Pin-Spring
20	104-3031	1	Washer
21	33114-025	1	Screw-HH



Transmission Drive Assembly

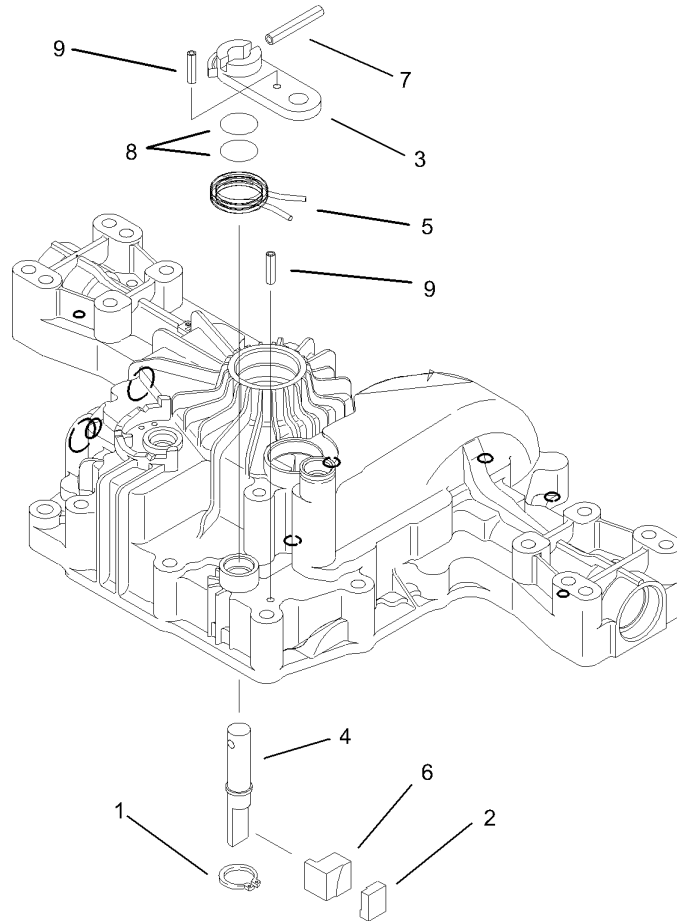
Ref	Part No.	Qty.	Description
1	104-2887	4	Pully-Idler
11	104-2888	1	V-Belt-Traction
12	104-2889	1	Transmission
13	104-2857	2	Cap-Hub
14	104-2891	2	Clip-Spring
15	104-3206	4	Washer
16	104-2892	2	Key-Square
18	104-2895	2	Spacer-Axle
19	33114-080	4	Screw-HH
20	33094-00	10	Washer-Plain
21	33024-00	6	Nut-Lock
22	33115-040	4	Screw-HH
23	33095-00	6	Washer-Flat
24	104-2896	4	Bushing-Idler
25	33025-00	5	Nut-Lock
28	104-2897	1	Spring
30	33025-00	1	Nut-Lock
31	33114-020	1	Screw-HH
33	104-2898	1	Retainer
35	104-2899	1	Key-Square
36	3212-10	1	Screw-HH
37	93-9043	1	Washer-Spring, Belleville
38	104-3334	1	Clutch-Electric
39	104-2911	1	Pulley-Engine

Ref	Part No.	Qty.	Description
43	104-2912	1	Arm-Idler
44	104-2913	1	Pulley-Idler
45	104-2896	1	Bushing-Idler
46	33115-040	1	Screw-HH
60	104-2916	2	Tire-Turf Saver
61	104-2918	2	Tube
62	104-2920	2	Wheel ASM
64	104-2922	8	Nut-Wheel
65	106-8596	2	Valve-Tire
68	106-8594	1	Bracket-Right
69	106-8593	1	Bracket-Left
70	33115-045	1	Screw-HH
71	104-2925	1	Sleeve
72	104-3343	2	Plate-Reinforcing
73	104-2904	1	Fitting-Grease
80	104-3327	1	Bar ASM
81	104-3328	1	Arm-Switch
83	104-3326	1	Tenon
84	104-3329	1	Roller
88	104-3342	1	Arm-Transaxle
90	104-3341	1	Stirrup
91	104-3014	1	Stirrup
92	104-3344	2	Screw-Thread Forming
93	104-3065	2	Screw-Hex



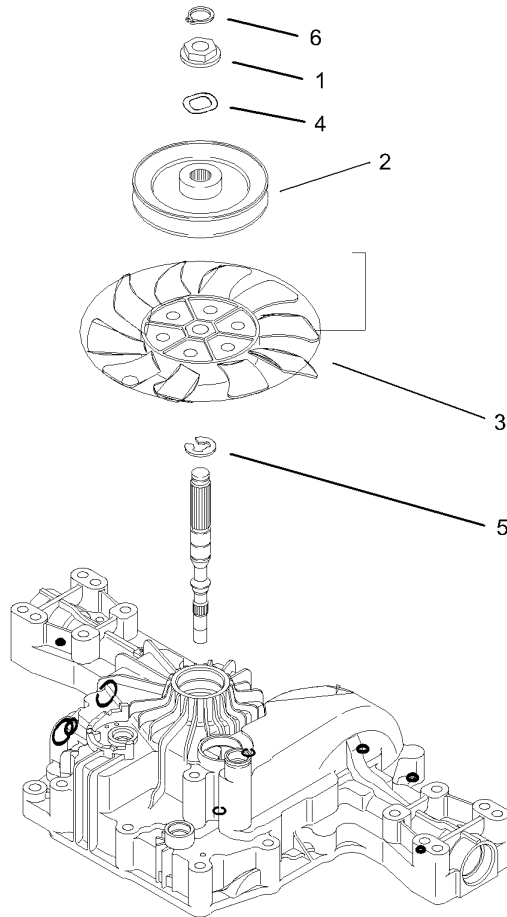
Control Shaft Assembly Transmission Assembly No. 104-2889

Ref	Part No.	Qty.	Description
1	114-3181	1	Shaft-Control
2	104-3292	1	Fulcrum-Eccentricity
3	104-3293	1	Spring-Torsion
4	114-3180	1	Arm-Control
5	104-3295	1	Lever-Control
6	104-3296	1	Plate-Jerky
7	93-0417	1	Washer
8	114-3182	1	Pin-Cotter
9	104-3297	1	Pin
10	93-0411	1	Pin-Roll
11	104-3298	2	Packing
12	93-0420	1	Nut



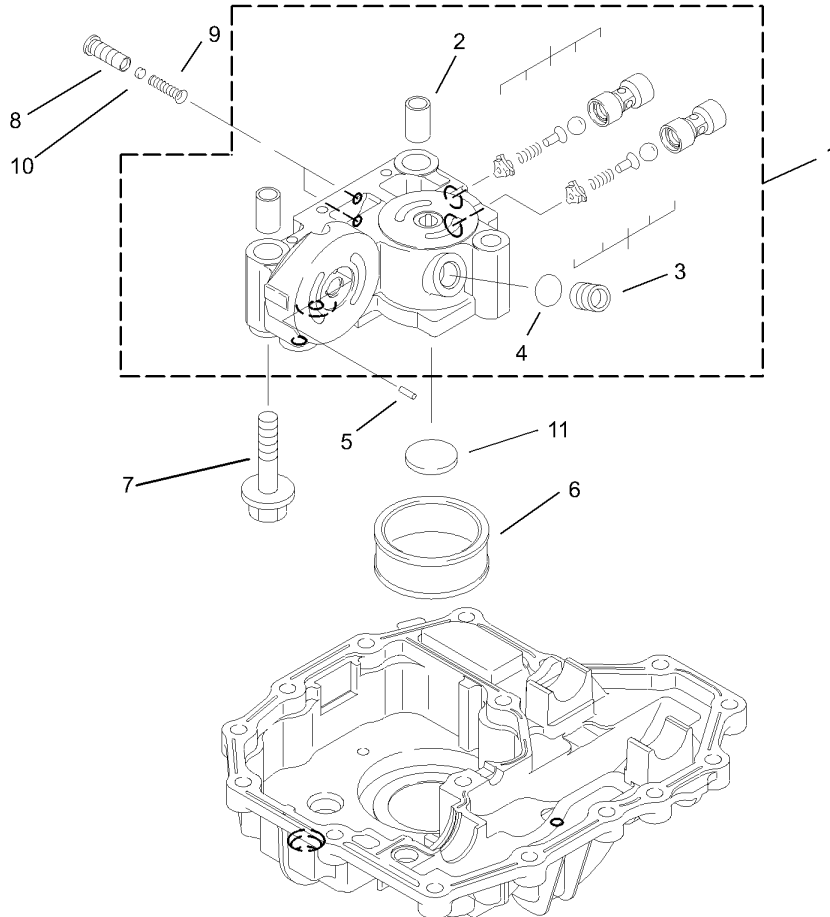
Brake Assembly Transmission Assembly No. 104-2889

Ref	Part No.	Qty.	Description				
1	104-3313	1	Ring				
2	104-3314	1	Shoe-Brake				
3	104-3315	1	Arm-Brake				
4	104-3316	1	Shaft-Brake				
5	104-3317	1	Spring-Return, Brake				
6	104-3318	1	Actuator-Brake				
7	92-0767	1	Pin				
8	92-0786	2	O-Ring				
9	104-3319	2	Pin				



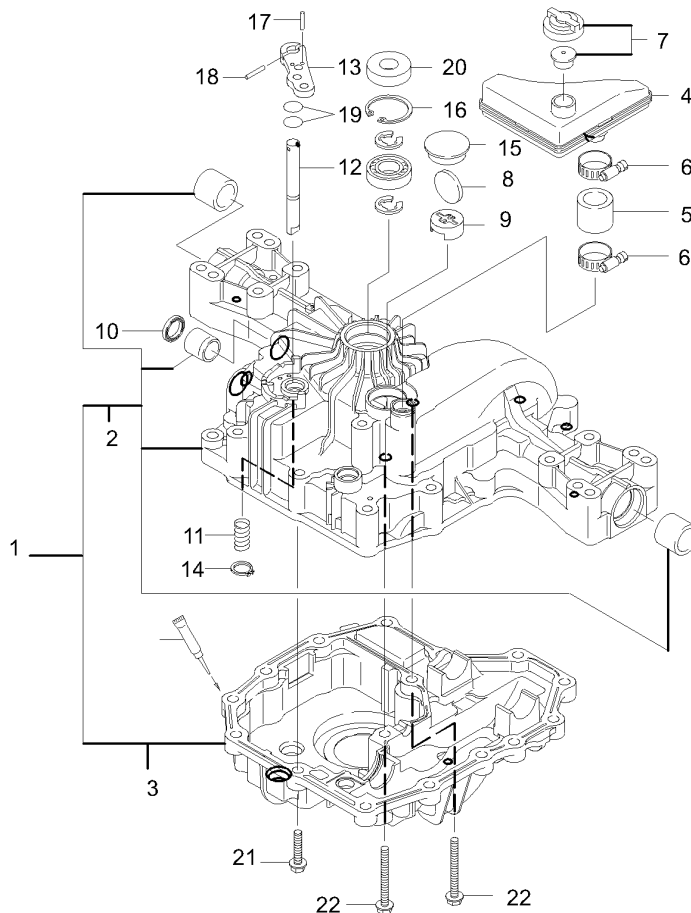
Fan Pulley Assembly Transmission Assembly No. 104-2889

Ref	Part No.	Qty.	Description				
1	104-3320	1	Collar-Spline				
2	104-3197	1	Pulley-Transmission				
3	104-3199	1	Fan- Transmission				
4	104-3321	1	Washer-Lock				
5	93-0387	1	E-Ring				
6	104-3198	1	E-Ring				



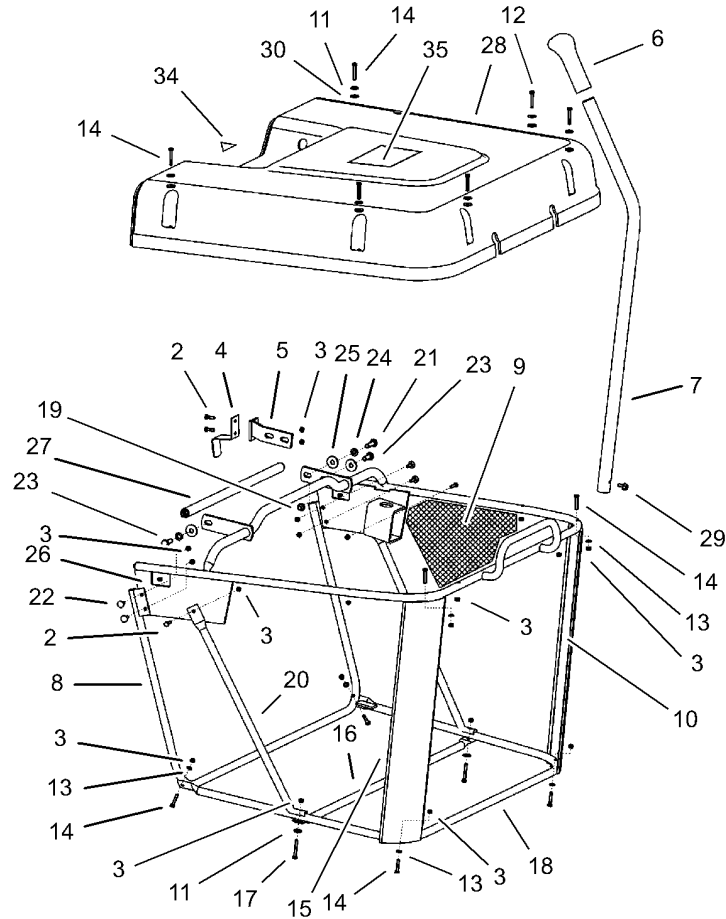
Center Case Assembly Transmission Assembly No. 104-2889

Ref	Part No.	Qty.	Description				
1	104-3267	1	Case-Center				
2	104-3268	2	Pin-Knock				
3	104-3269	1	Plug				
4	93-0419	1	Packing				
5	104-3270	1	Pin				
6	104-3271	1	Filter				
7	104-3272	3	Bolt				
8	104-3273	2	Valve				
9	104-3274	2	Spring				
10	104-3275	2	Filter				
11	104-3257	1	Magnet				



Transaxle Case Assembly Transmission Assembly No. 104-2889

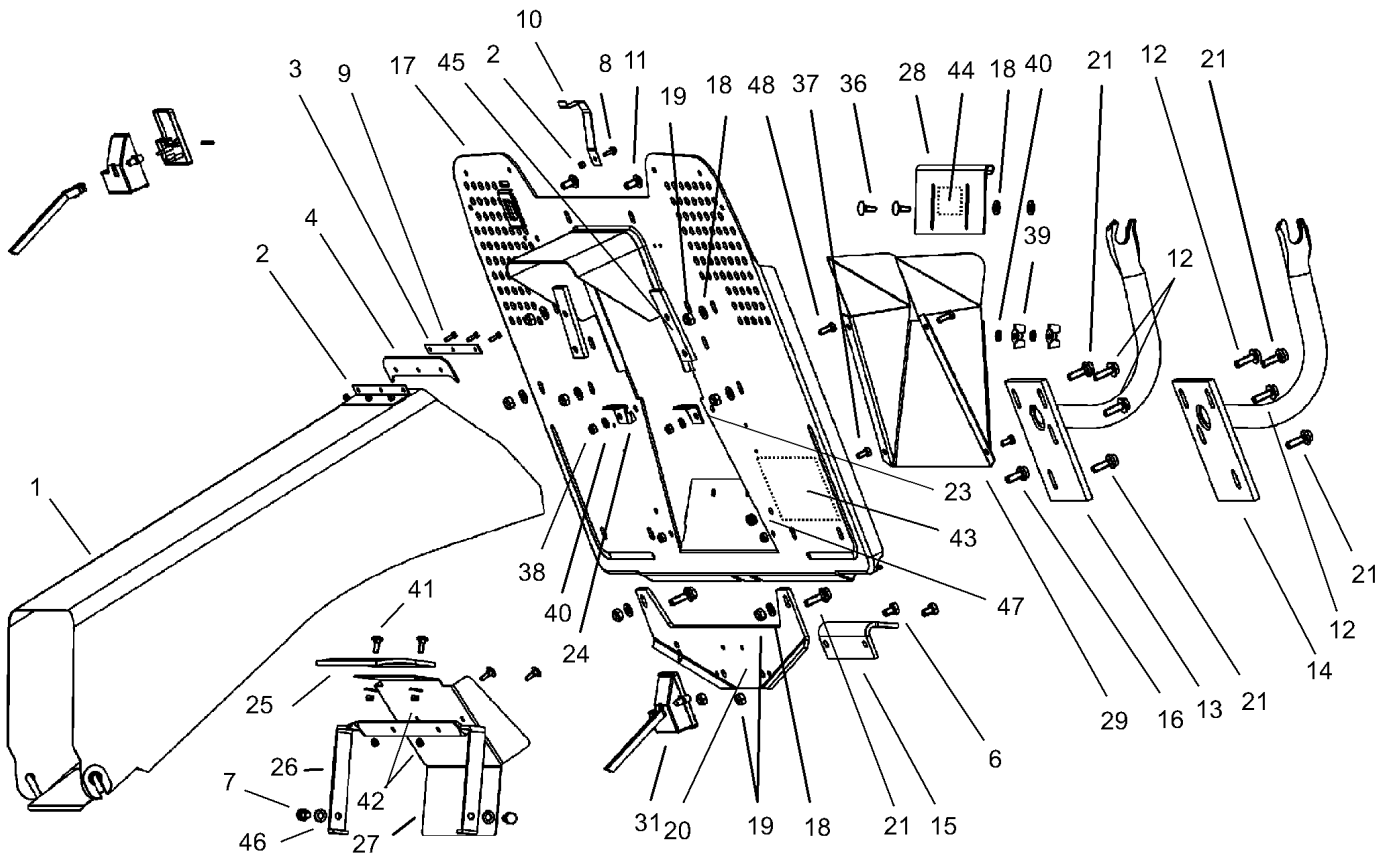
Ref	Part No.	Qty.	Description				
1	104-3251	1	Transaxle Case Set				
2	104-3252	1	Housing-Upper				
3	104-3253	1	Housing-Lower				
4	104-2914	1	Tank-Reservoir, With Cap				
5	104-3254	1	Tube				
6	104-3255	2	Clamp-Miniature				
7	104-3256	1	Valve-Vent, 15				
8	104-3257	1	Magnet				
9	104-3258	1	Holder-Magnet				
10	104-3259	1	Seal-Oil				
11	93-0396	1	Spring				
12	104-3260	1	Shaft-Bypass				
13	104-3261	1	Lever-Bypass				
14	104-3262	1	Ring				
15	104-3263	1	Plug-Bore				
16	93-0360	1	Ring				
17	104-3264	1	Pin				
18	104-3265	1	Pin				
19	93-0419	2	Packing				
20	93-0361	1	Seal				
21	93-0363	14	Screw-TAP				
22	104-3266	2	Screw-TAP				



Grass Collector Assembly

Ref	Part No.	Qty.	Description
1	106-5760	1	Collector ASM
2	60-6910	2	Screw
3	87-5140	22	Nut-Lock
4	104-3033	1	Spring-Coll, Interlock Switch
5	106-5761	1	Bracket-Spring
6	104-3035	1	Grip-Handle
7	104-3036	1	Lever-Dumping
8	104-3037	1	Front Frame ASM
9	104-3038	1	Bag-Grass
10	104-3039	1	Support-Corner, Right
11	104-2943	8	Washer-Flat
12	104-2891	6	Clip-Spring
13	52-6430	14	Washer
14	104-3041	10	Screw-Hex
15	104-3042	1	Support-Corner, Left
16	104-3043	1	Brace-Connecting
17	104-3044	2	Screw-Hex
18	104-3045	1	Bottom Frame ASM
19	33024-00	1	Nut-Lock
20	104-3046	2	Brace
21	33114-025	1	Screw-HH
22	104-2948	4	Bolt-Carriage
23	33114-020	2	Screw-HH
24	42-9850	2	Washer-Lock, Spring

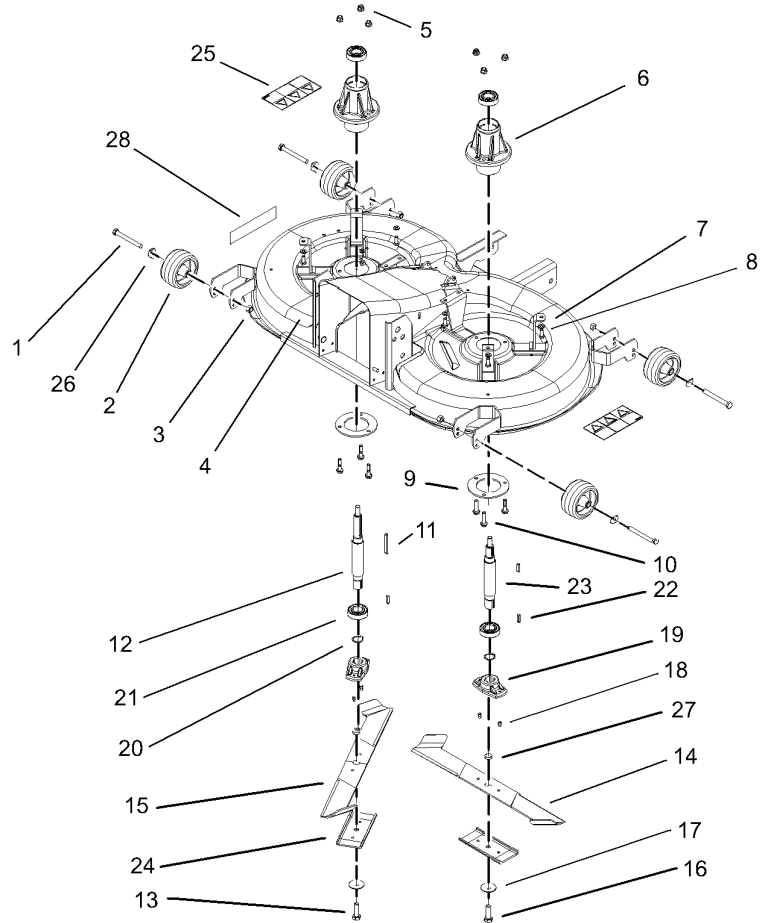
Ref	Part No.	Qty.	Description
25	104-2946	4	Washer-Plain
26	104-3047	1	Top Frame ASM
27	104-3048	1	Handle-Lift
28	106-5762	1	Cover-Collector
29	106-5763	1	Screw
30	104-2952	6	Washer-Rubber
34	104-3242	1	Decal-Bag To Frame
35	104-3322	1	Decal - Horsehead



Chute Collector Assembly

Ref	Part No.	Qty.	Description
1	106-8562	1	Tunnel
2	104-2985	4	Nut-Hex
3	104-3055	1	Plate-Support
4	104-3056	1	Seal-Rubber
6	33114-020	2	Screw-HH
7	68-9410	2	Screw-Flange
8	104-2983	1	Screw
9	104-3058	3	Screw-SFH
10	104-3059	1	Cover-Switch
11	104-3060	2	Bolt-Carriage
12	104-3061	4	Screw
13	104-3062	1	Support-Collector, Right
14	104-3063	1	Support-Collector, Left
15	104-3064	1	Hitch-Tow
16	104-3065	6	Screw-Hex
17	104-3066	1	Collector Plate ASM
18	33095-00	9	Washer-Flat
19	33024-00	9	Nut-Lock
20	104-3067	1	Support-Hitch, Tow
21	104-3068	5	Screw-Hex
23	106-8597	1	Support-Tunnel, Left
24	106-8598	1	Support-Tunnel, Right
25	106-8599	1	Shield-Rubber
26	104-3069	1	Bracket-Shield, Protective

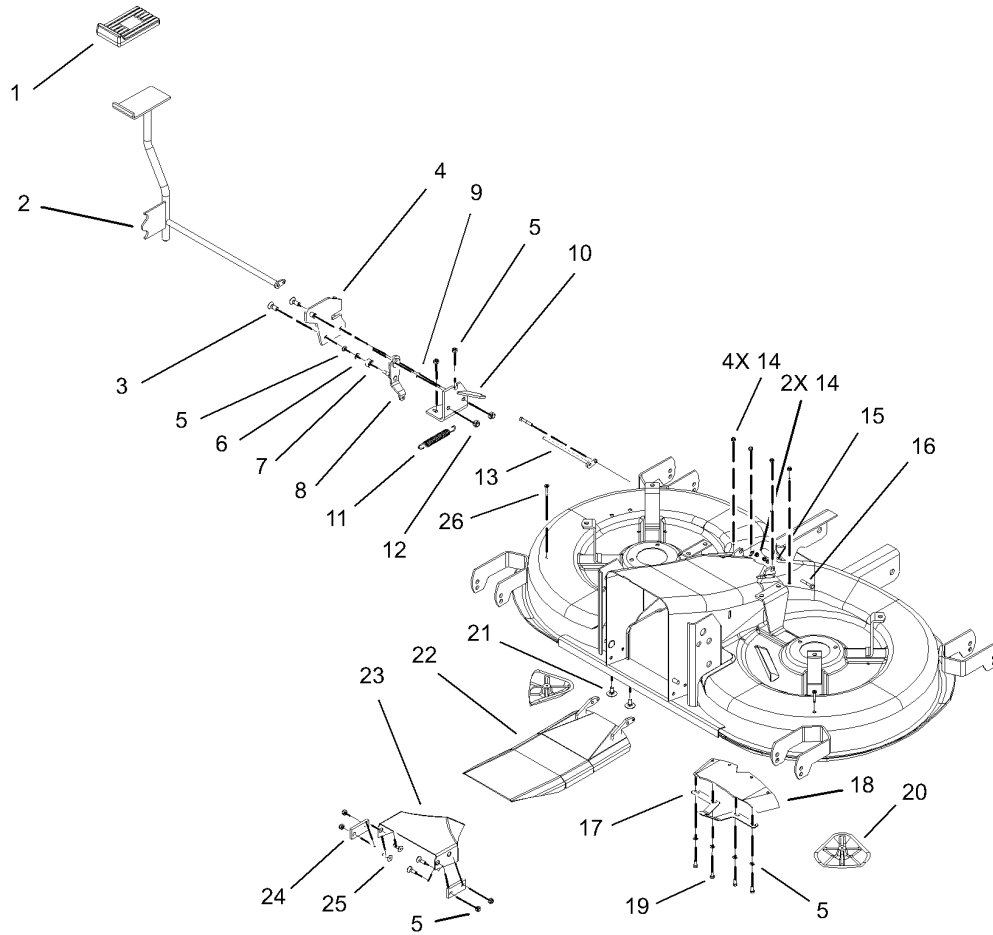
Ref	Part No.	Qty.	Description
27	104-3070	1	Shield-Protective
28	104-3336	1	Shield-Adjustable
29	104-3335	1	Hopper-Receiving
31	104-3074	1	Overload Switch ASM
36	104-2961	2	Screw
37	33113-012	2	Screw-HH
38	33023-00	4	Nut-Lock
39	32103-28	2	Nut-Wing
40	33093-00	4	Washer-Flat
41	104-2948	4	Bolt-Carriage
42	87-5140	4	Nut-Lock
43	104-3243	1	Decal-Bypass, Hydro
44	104-2853	1	Decal-Position, Bagging
45	104-3347	2	Plate-Reinforcing
46	104-3348	2	Washer-Spring
47	106-5772	1	Bushing
48	106-8575	2	Screw-HH



Cutting Pan, Mower Housing Assembly

Ref	Part No.	Qty.	Description
1	33115-090	4	Screw-HH
2	104-3080	4	Wheel-Gauge
3	33025-00	4	Nut-Lock
4	106-8564	1	Mower Housing ASM
5	104-3082	6	Nut-Lock, HF
6	104-3083	2	Housing-Quill
7	33094-00	8	Washer-Plain
8	33114-020	8	Screw-HH
9	104-3084	2	Support-Ring
10	104-3085	6	Bolt-HHF
11	104-3086	1	Key
12	106-8565	1	Shaft-Blade, Left
13	106-5797	1	Bolt-HH, Blade
14	106-8557	1	Blade-RH
15	106-8558	1	Blade-LH
16	106-5798	1	Bolt-Blade, HH
17	106-6532	2	Washer-Blade
18	104-3093	4	Pin-Shear, Grooved
19	106-4185	2	Adapter-Blade
20	104-3095	2	Ring-Locking
21	104-6325	4	Bearing-Ball
22	104-3097	3	Key-Square
23	106-8566	1	Shaft-Blade, Right
24	106-6533	2	Stiffener-Blade

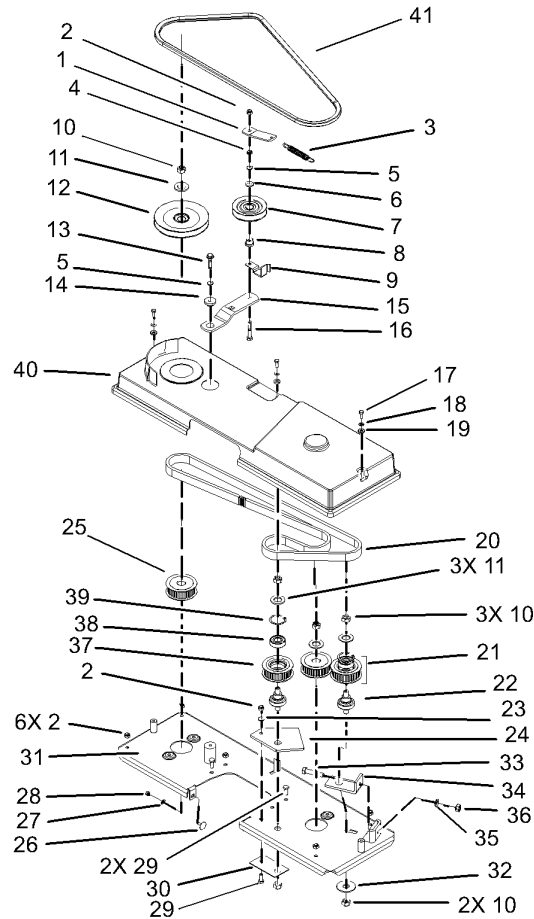
Ref	Part No.	Qty.	Description
25	93-7824	2	Decal-Danger
26	106-5767	4	Washer
27	106-6530	2	Spacer
28	106-8563	1	Decal-Recycler



Cutting Pan, Bag on Demand Assembly

Ref	Part No.	Qty.	Description
1	106-8583	1	Cover-Lever, Foot
2	106-8582	1	Lever-Foot
3	100-8159	2	Screw-HSFH
4	106-8578	1	Plate-Stop
5	33023-00	7	Nut-Lock
6	33093-00	1	Washer-Flat
7	106-8581	1	Roller
8	106-8579	1	Lever-Spring
9	106-8592	1	Ring-Locking
10	106-8577	1	Bracket-Mounting
11	106-8580	1	Spring
12	48-9510	2	Nut
13	106-8585	1	Rod-Door, Mulch
14	87-5140	6	Nut-Lock
15	52-6430	6	Washer
16	87-5150	2	Bolt
17	106-8567	2	Guide
18	106-8586	1	Gasket-Door, Mulch
19	106-8575	4	Screw-HH
20	106-8587	1	Kicker
21	33123-016	2	Screw-CARR
22	106-8584	1	Door-Mulch
23	106-8573	1	Baffle-Center
24	106-8572	2	Plate-Baffel, Center

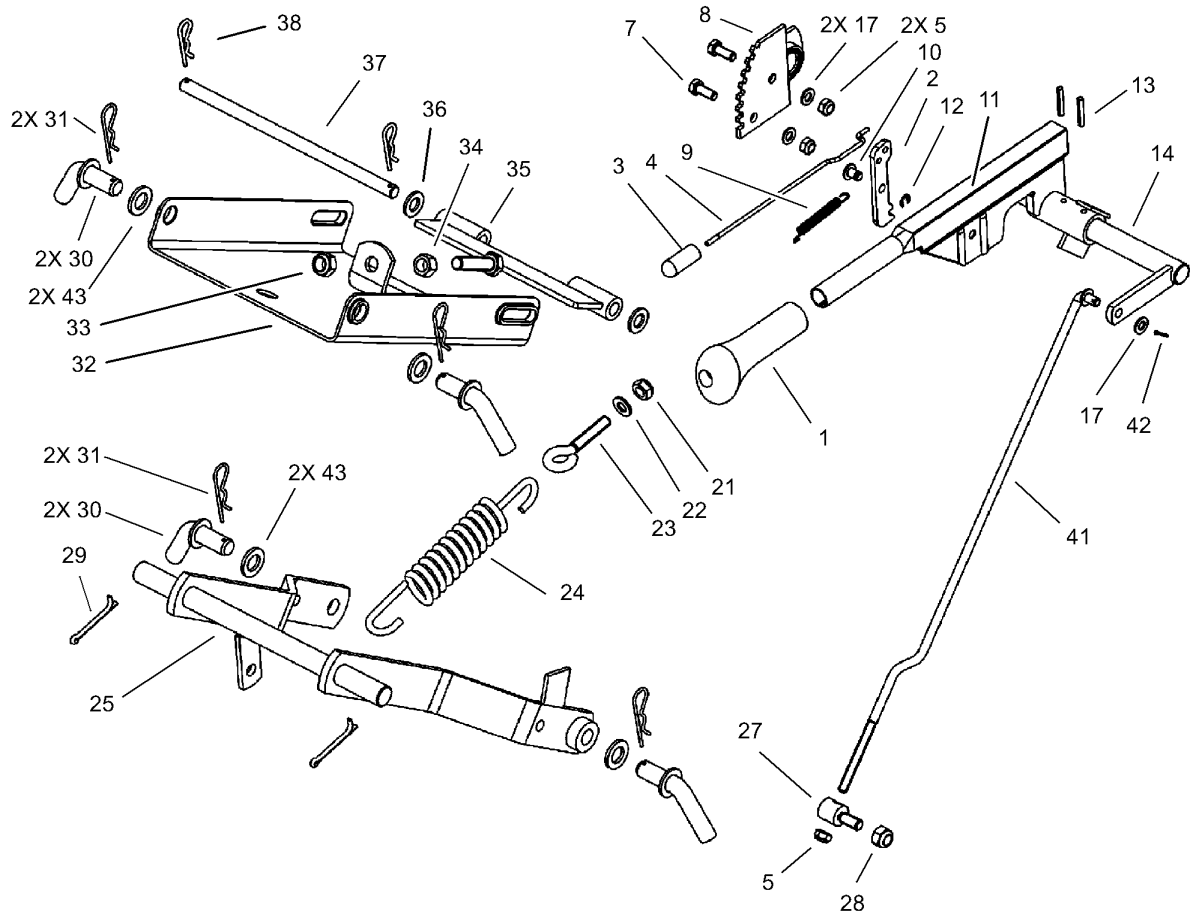
Ref	Part No.	Qty.	Description
25	106-8574	4	Screw
26	104-1451	2	Screw-TAP, PPH



Cutting Pan Drive Assembly

Ref	Part No.	Qty.	Description
1	104-3099	1	Lever-Engagement
2	48-9510	8	Nut
3	104-3101	1	Spring
4	57-6390	1	Nut-Jam
5	42-9850	2	Washer-Lock, Spring
6	106-8588	1	Washer-Flat
7	104-3103	1	Pulley-Idler
8	104-3104	1	Bushing
9	104-3105	1	Retainer-Belt
10	48-9540	6	Nut-Lock, Hex NI
11	33099-00	4	Washer-Flat
12	104-3107	1	Pulley-Drive
13	104-3085	1	Bolt-HHF
14	104-3108	1	Spacer-Shoulder
15	104-3109	1	Arm-Idler
16	33114-050	1	Screw-HH
17	33113-016	3	Screw-HH
18	106-8568	3	Washer-Flat
19	83-7420	3	Washer-Rubber
20	106-8591	1	Belt-Cog
21	104-3113	2	Cog Pulley ASM
22	104-3114	2	Pin-Pulley, Cog
23	33094-00	1	Washer-Plain
24	104-3115	1	Support-Pulley

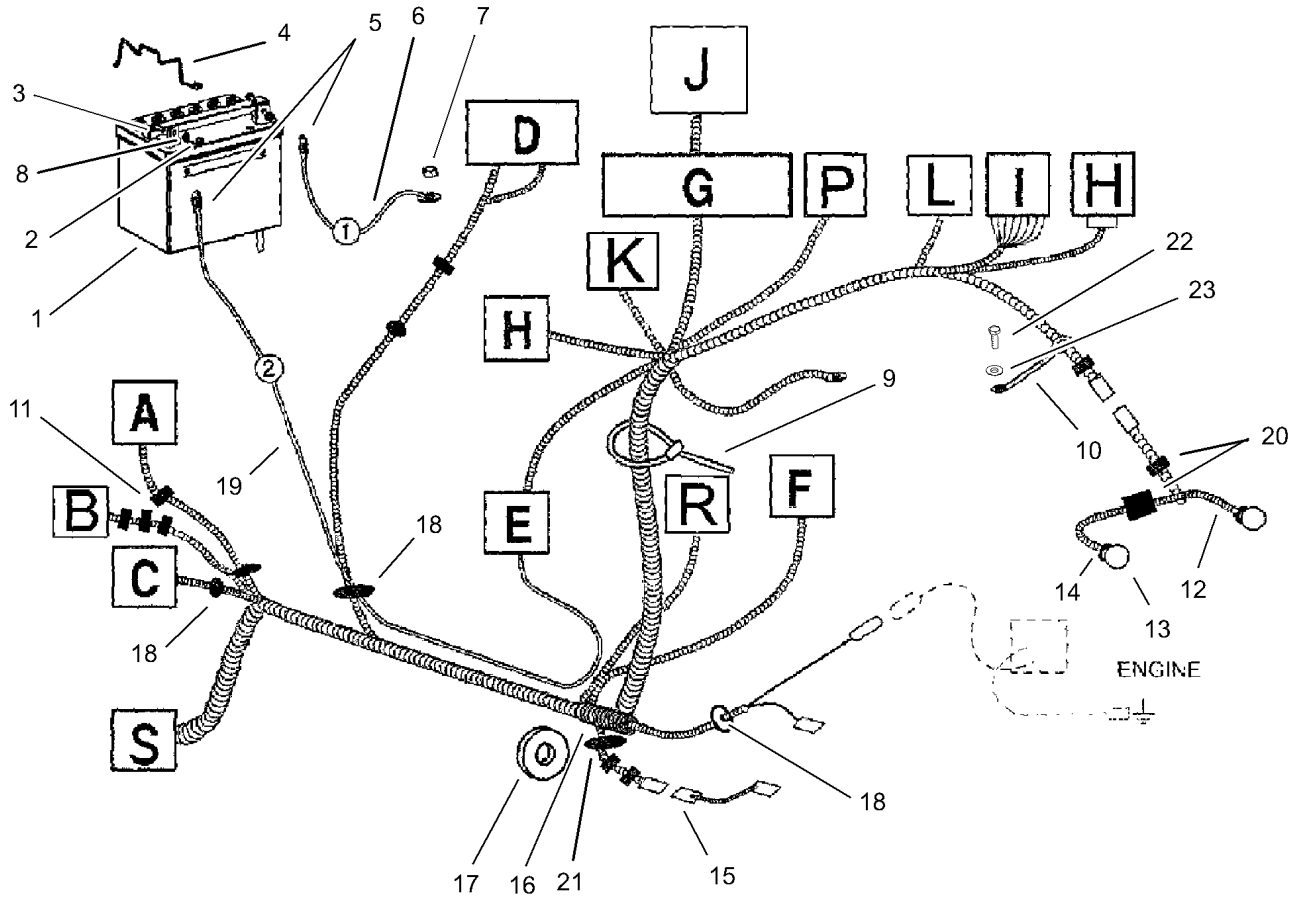
Ref	Part No.	Qty.	Description
25	104-3116	2	Pulley-Cog, Drive
26	33123-016	2	Screw-CARR
27	33093-00	2	Washer-Flat
28	33023-00	2	Nut-Lock
29	33114-025	3	Screw-HH
30	104-3117	1	Plate-Anchor
31	106-8590	1	Blade-Drive Plate
32	104-2909	1	Washer
33	33115-050	1	Screw-HH
34	104-3120	1	Bracket-Idler
35	33095-00	1	Washer-Flat
36	48-9520	1	Nut
37	104-3121	1	Pulley-Cog
38	100-1048	1	Bearing-Ball
39	104-3123	1	Ring-Locking
40	106-8589	1	Belt-Cover
41	104-3127	1	V-Belt



Mower Lift Assembly

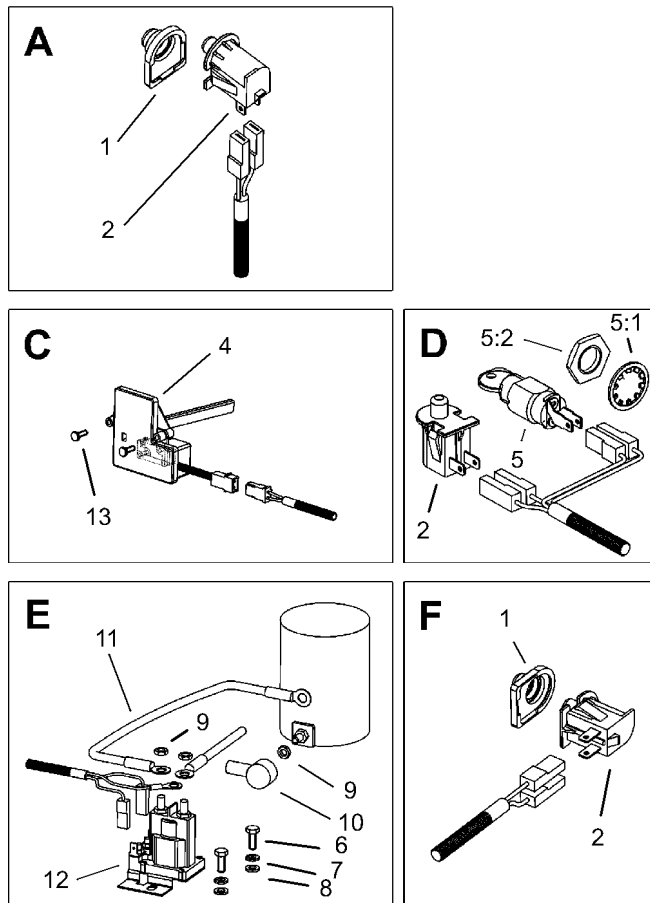
Ref	Part No.	Qty.	Description
1	104-3129	1	Grip-Handle
2	104-3130	1	Ratchet-Plate, Pivot
3	104-3131	1	Button-Plunger
4	104-3132	1	Rod-Connection
5	33024-00	3	Nut-Lock
7	33114-020	2	Screw-HH
8	104-3133	1	Segment-Gear
9	104-3134	1	Spring
10	104-3135	1	Pin-Arm Lever
11	104-3136	1	Lever-Arm, Height Adj.
12	104-3137	1	Clip-Pin
13	104-2994	2	Pin-Spring
14	104-3138	1	Shaft-Height Adj.
17	33094-00	3	Washer-Plain
21	33025-00	1	Nut-Lock
22	33095-00	1	Washer-Flat
23	104-3139	1	Bolt-Eye
24	104-3140	1	Spring-Lift
25	104-3141	1	Pivot Arm ASM
27	104-3142	1	Pin-Lifting
28	33025-00	1	Nut-Lock
29	104-3016	2	Pin-Cotter
30	104-3143	4	Pin-Bent
31	104-3144	4	Pin-Hair

Ref	Part No.	Qty.	Description
32	104-3145	1	Suspension-Mower Deck, Front
33	33026-00	1	Nut-Lock
34	33016-00	1	Nut-Hex
35	104-3146	1	Holder-Front
36	104-3124	2	Washer-Flat
37	104-3147	1	Pin
38	104-3148	2	Clip-Hair Pin
41	104-3149	1	Rod-Height Adj.
42	104-3151	1	Pin-Cotter
43	34-9270	4	Washer-Hose



Electrical Wiring Harness Assembly

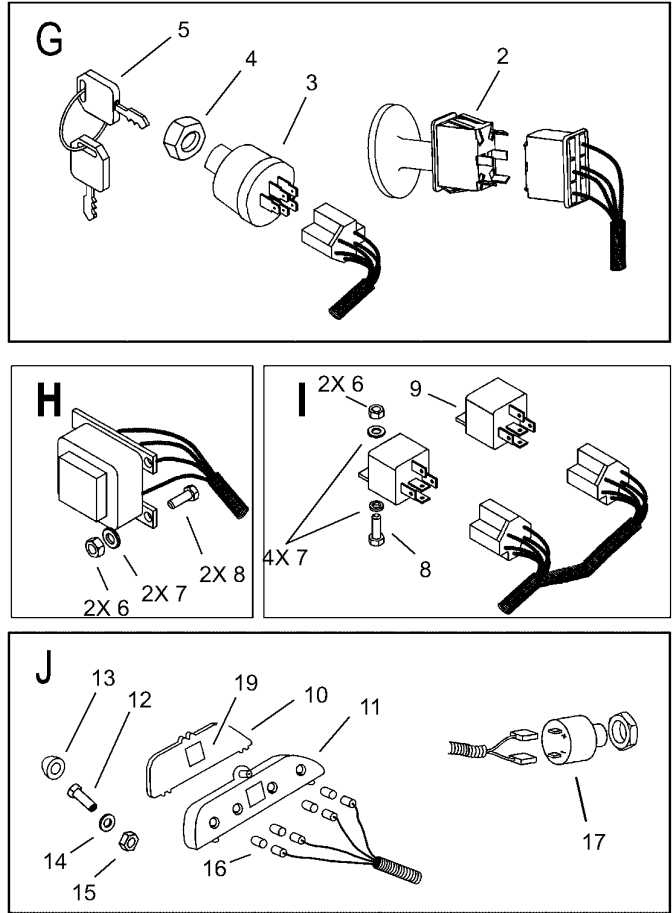
Ref	Part No.	Qty.	Description
1	104-3152	1	Battery-12V
2	33013-00	2	Nut-Hex
3	33113-016	2	Screw-HH
4	104-3153	1	Clamp-Battery
5	104-3154	2	Boot-Rubber
6	104-3155	1	Cable-Battery, Negative
7	33024-00	1	Nut-Lock
9	3334-945	3	Tie-Cable
10	104-3156	1	Holder- Harness, Wiring
11	104-3157	8	Clip-Snap
12	88-4320	1	Harness-Wire, Lights
13	104-3158	2	Bulb-Light
14	104-3159	2	Socket-Light
15	104-3160	1	Harness-Clutch
16	104-3337	1	Harness-Wiring
17	104-3163	1	Cap
18	104-3165	3	Bushing
19	104-3166	1	Cable-Battery Positive
20	104-3167	2	Clip-Nylon
21	104-3168	1	Bushing
22	33114-020	1	Screw-HH
23	33094-00	1	Washer-Plain



Electrical Switch Assembly

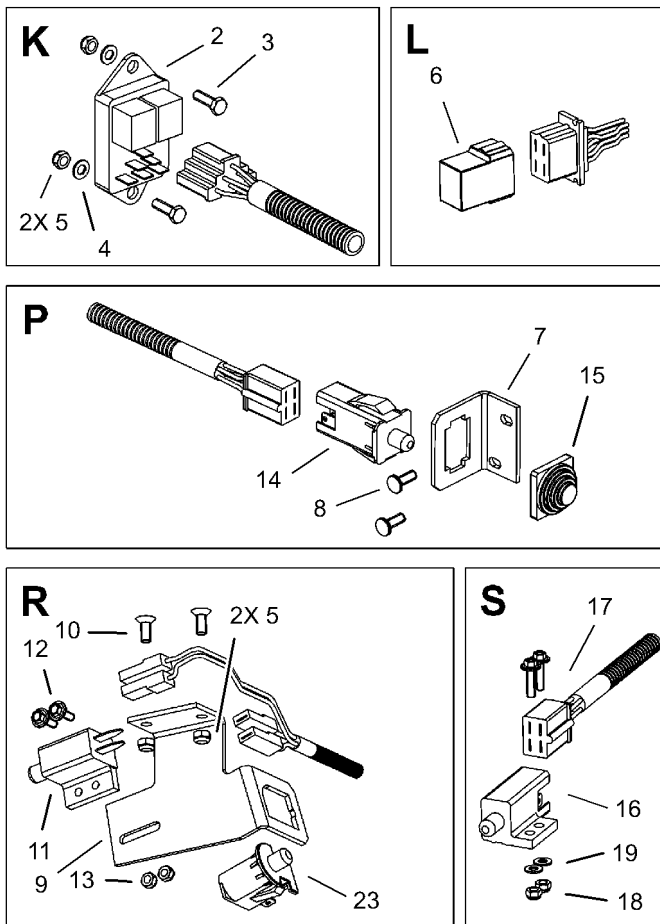
Ref	Part No.	Qty.	Description
1	104-3178	2	Cover-Protective
2	104-3179	3	Switch-Delta
4	104-3185	1	Switch-Omron
5	46-5780	1	Switch-Starter
5:1	3254-5	1	Washer-Tooth
5:2	218-461	1	Nut-HH
6	33113-012	2	Screw-HH
7	104-3186	2	Washer-Spring
8	33093-00	2	Washer-Flat
9	32128-32	1	Nut-HHF
10	104-3187	1	Boot-Rubber
11	104-3188	1	Lead-Starter, Electric
12	47-1910	1	Solenoid
13	104-3349	2	Screw

--	--	--	--



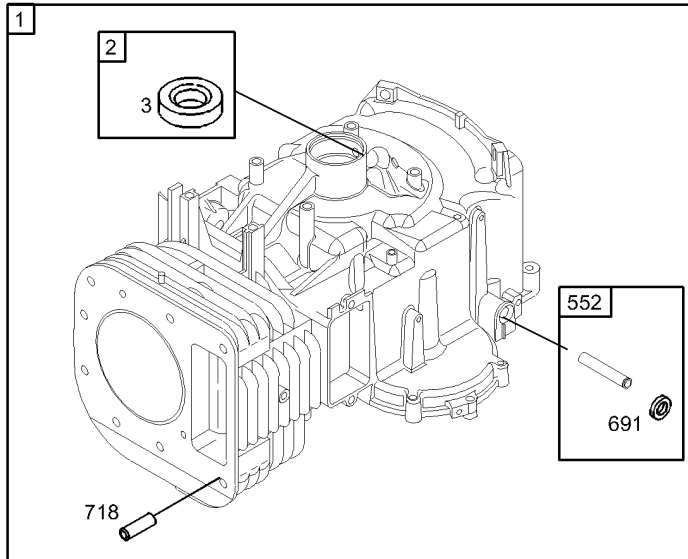
Electrical Switch Assembly (continued)

Ref	Part No.	Qty.	Description
2	93-9998	1	Switch-PTO
3	92-6785	1	Switch-Ignition
4	104-3172	1	Nut-Hex
5	62-7770	2	Key-Ignition
6	87-5140	4	Nut-Lock
7	104-2943	6	Washer-Flat
8	104-2978	4	Screw-Hex
9	104-3173	2	Relay
10	92-6705	1	Lens-Dash
11	92-6732	1	Housing-Light, Indicator
12	104-3191	3	Screw
13	104-3174	1	Screw-Cap
14	104-3175	3	Washer
15	104-2985	3	Nut-Hex
16	104-3176	4	Bulb
17	104-3177	1	Buzzer
19	104-3194	1	Decal-Dash

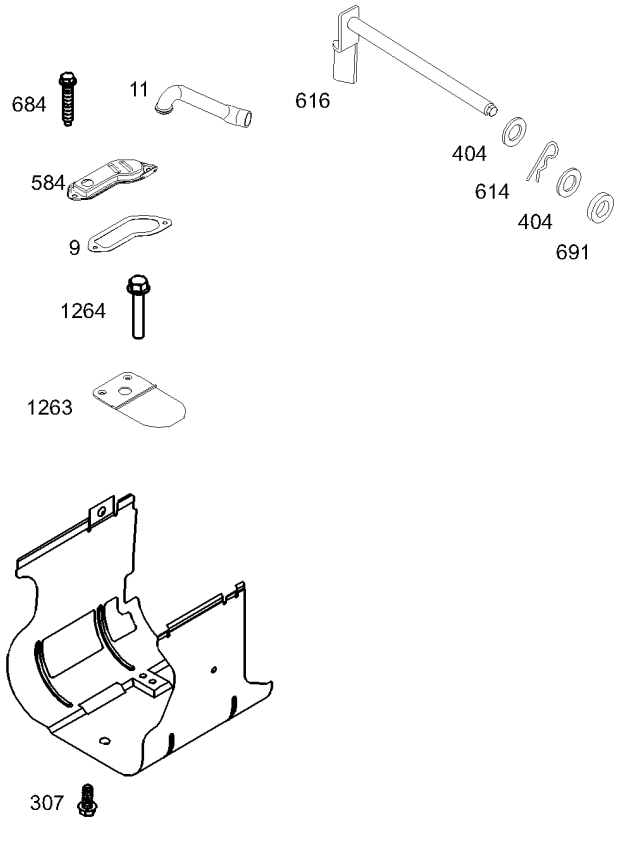


Electrical Switch Assembly (continued)

Ref	Part No.	Qty.	Description
2	99-3701	1	Module-Clutch
3	60-6910	2	Screw
4	52-6430	2	Washer
5	87-5140	4	Nut-Lock
6	104-3169	1	Circuit-Memory
7	104-3333	1	Holder-Switch
8	104-3190	2	Screw
9	104-3332	1	Holder-Switch
10	104-2980	2	Screw
11	95-1653	1	Switch-Pole, Single
12	104-2983	2	Screw
13	104-2985	2	Nut-Hex
14	104-3338	1	Switch-Delta
15	104-3339	1	Cover-Switch
16	104-3330	1	Switch-Delta
17	104-3331	2	Bolt
18	46-0430	2	Nut-Lock
19	52-6430	2	Washer



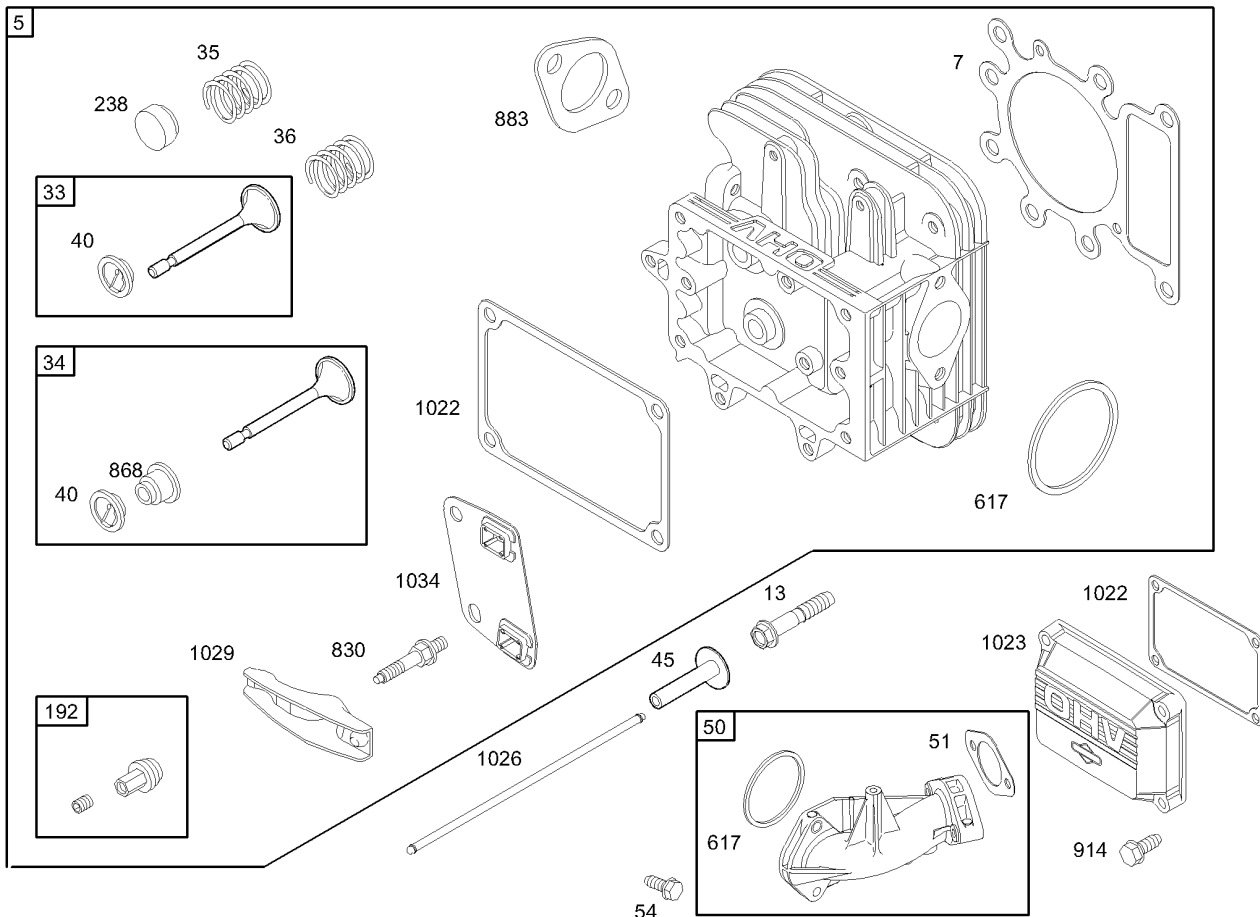
1019 LABEL KIT



Assemblies include all parts shown in frames.

Cylinder Assembly Briggs and Stratton 31G777-0121-E1

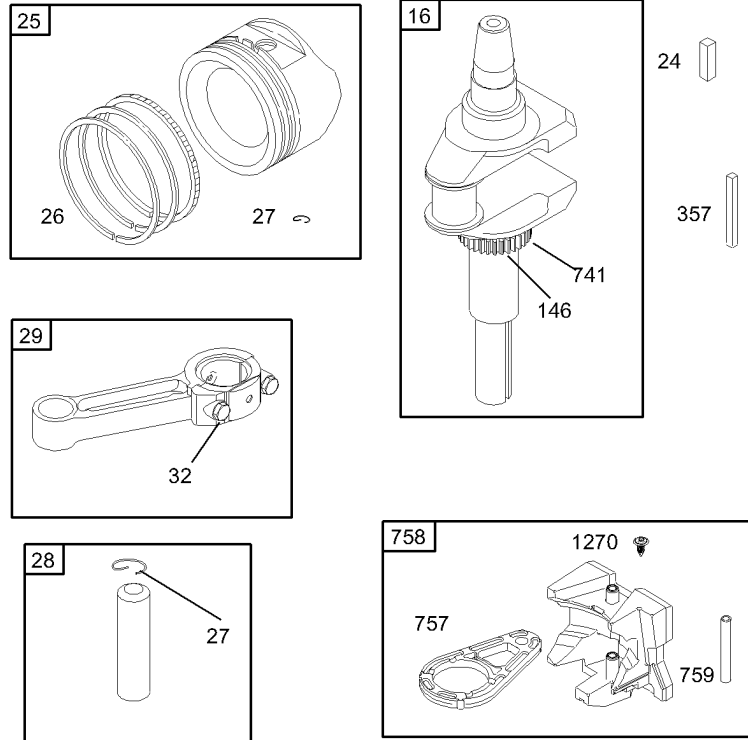
Ref	Part No.	Qty.	Description
1	697174	1	Cylinder ASM
2	399265	1	Bushing And Seal Kit
3	391086	1	Seal-Oil
9	697109	1	Gasket-Breather
11	697113	1	Tube-Breather
17	697762	1	Short Block ASM
306	697107	1	Shield-Cylinder
307	691003	1	Screw
337	691043	1	Spark Plug
383	89838	1	Wrench-Plug, Spark
404	691691	1	Washer
552	697144	1	Bushing-Crank, Governor
584	697112	1	Cover-Passage, Breather
614	691620	1	Pin-Cotter
616	692012	1	Crank-Governor
635	691909	1	Boot-Spark Plug
684	697157	1	Screw
691	692407	1	Seal-Shaft, Governor
718	690959	1	Pin-Locating
1019	697143	1	Label Kit
1263	697124	1	Reed-Breather
1264	697104	1	Screw



Cylinder Head Assembly Briggs and Stratton 31G777-0121-E1

Ref	Part No.	Qty.	Description
75	698147	1	Head-Cylinder
347	692410	1	Gasket-Cylinder Head
7			
713	690360	1	Screw
733	695760	1	Valve-Exhaust
734	695761	1	Valve-Intake
735	691279	1	Spring-Valve
736	691279	1	Spring-Valve
740	691752	1	Retainer-Valve
745	690564	1	Tappet-Valve
750	690193	1	Manifold-Intake
3451	692137	1	Gasket-Intake
56			
754	691148	1	Screw
7192	691986	1	Adjustor-Arm, Rocker
7238	691843	1	Cap-Valve
35617	692138	1	Seal-O Ring
7			
7830	691095	1	Stud-Arm, Rocker
34868	690968	1	Seal-Valve
7			
7883	692236	1	Gasket-Exhaust
7914	690960	1	Screw
371022	272475	1	Gasket-Cover, Rocker
71023	692492	1	Cover-Rocker

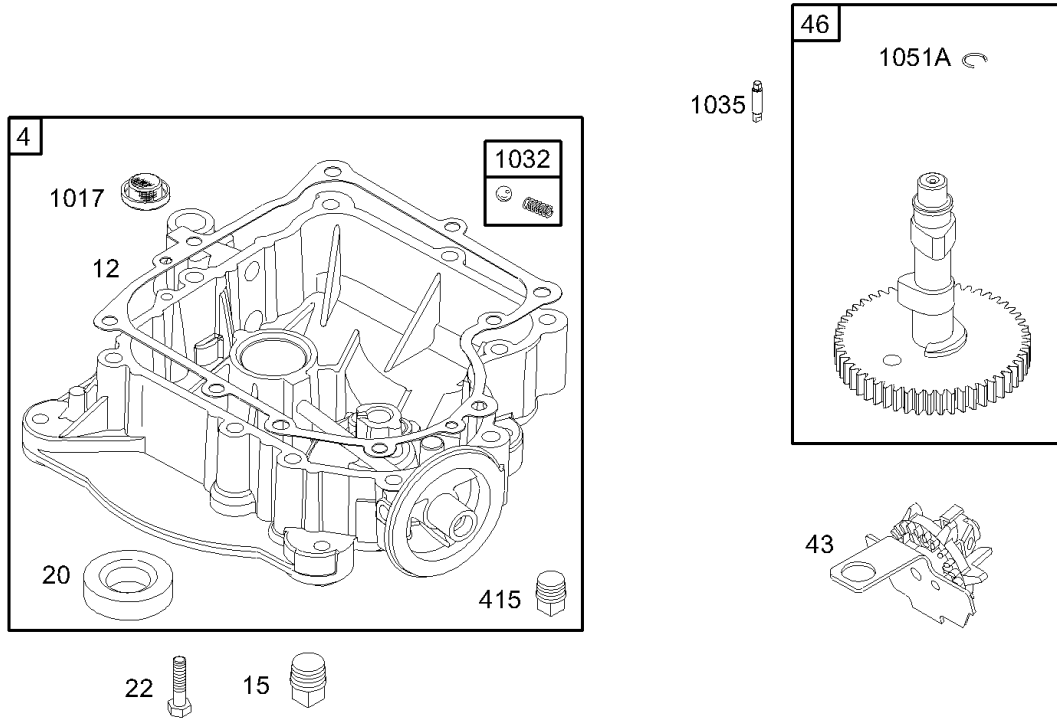
Ref	Part No.	Qty.	Description
71026	692003	1	Rod-Push
7	692011	1	Rod-Push
71029	691751	1	Arm-Rocker
71034	690822	1	Guide-Rod, Push



Assemblies include all parts shown in frames.

Crankshaft Assembly Briggs and Stratton 31G777-0121-E1

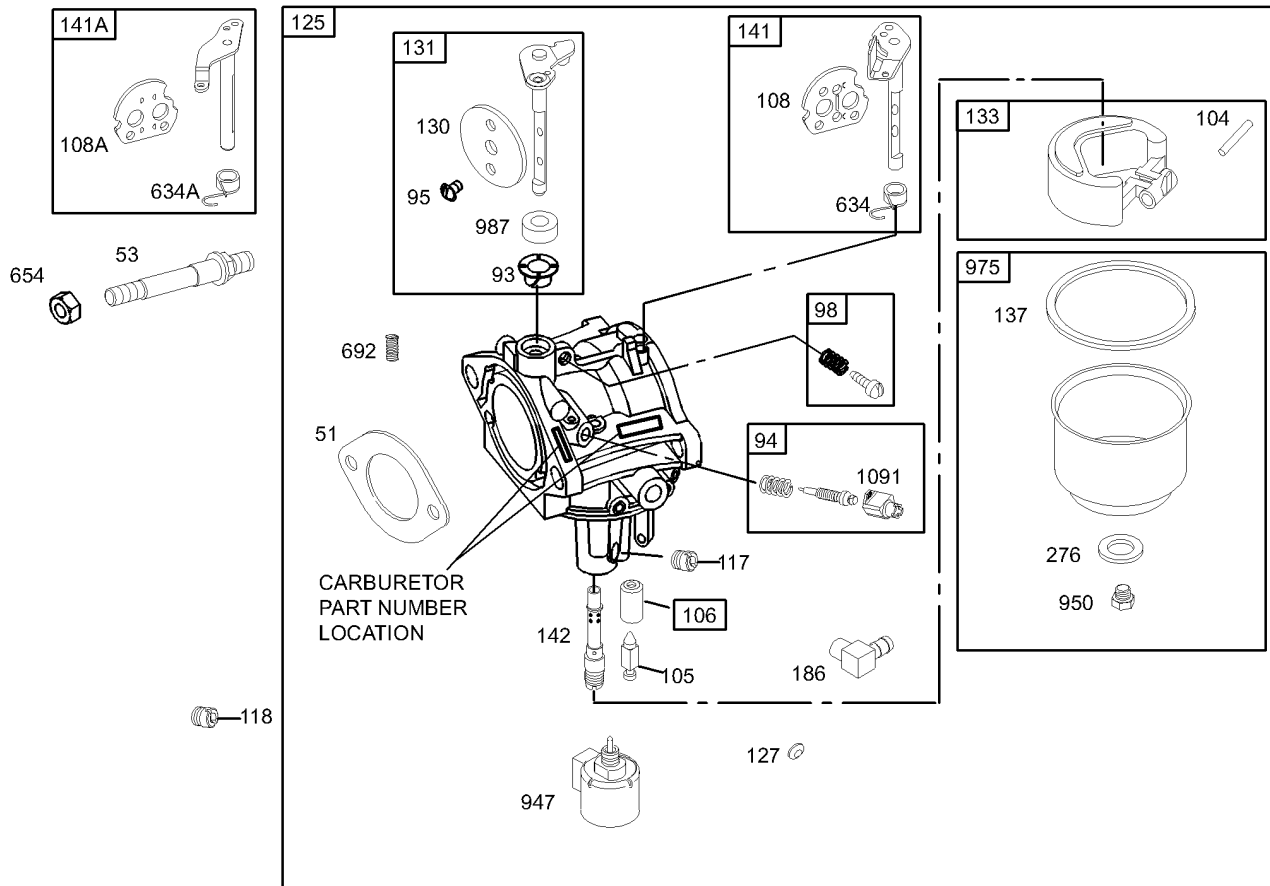
Ref	Part No.	Qty.	Description
16	697127	1	Crankshaft
24	222698	1	Key
25	697159	1	Piston ASM (Standard)
	697160	1	Piston ASM (.010" Oversize)
	697162	1	Piston ASM (.020" Oversize)
	697163	1	Piston ASM (.030" Oversize)
26	697164	1	Ring Set (Standard)
	697165	1	Ring Set (.010" Oversize)
	697171	1	Ring Set (.020" Oversize)
	697172	1	Ring Set (.030" Oversize)
27	698469	1	Lock-Pin, Piston
28	697099	1	Pin-Piston (STD)
29	697126	1	Rod-Connecting (Standard)
	697263	1	Rod-Connecting (.020In Undersize)
32	692852	1	Screw
146	691639	1	Key-Timing
357	691483	1	Key-Pulley, Drive
741	697128	1	Gear-Timing
757	697607	1	Link-Counterweight
758	697134	1	Counterweight
759	697392	1	Pin-Counterweight
1270	697156	1	Plug-Counterweight, Avs



Assemblies include all parts shown in frames.

Crankcase Assembly Briggs and Stratton 31G777-0121-E1

Ref	Part No.	Qty.	Description
⑦4	697188	1	Sump-Engine
③⑦12	697110	1	Gasket-Crankcase
⑦15	690946	1	Plug-Drain, Oil
③⑦20	690947	1	Seal-Oil
⑦22	692125	1	Screw
⑦43	691968	1	Slinger-Governor, Oil
⑦46	698492	1	Camshaft
⑦415	690283	1	Plug-Oil
⑦1017	690770	1	Screen-Pump, Oil
⑦1032	491710	1	Ball-Pump, Oil
⑦1035	693784	1	Shaft-Pump, Oil
⑦1051A	698802	1	Ring-Retaining

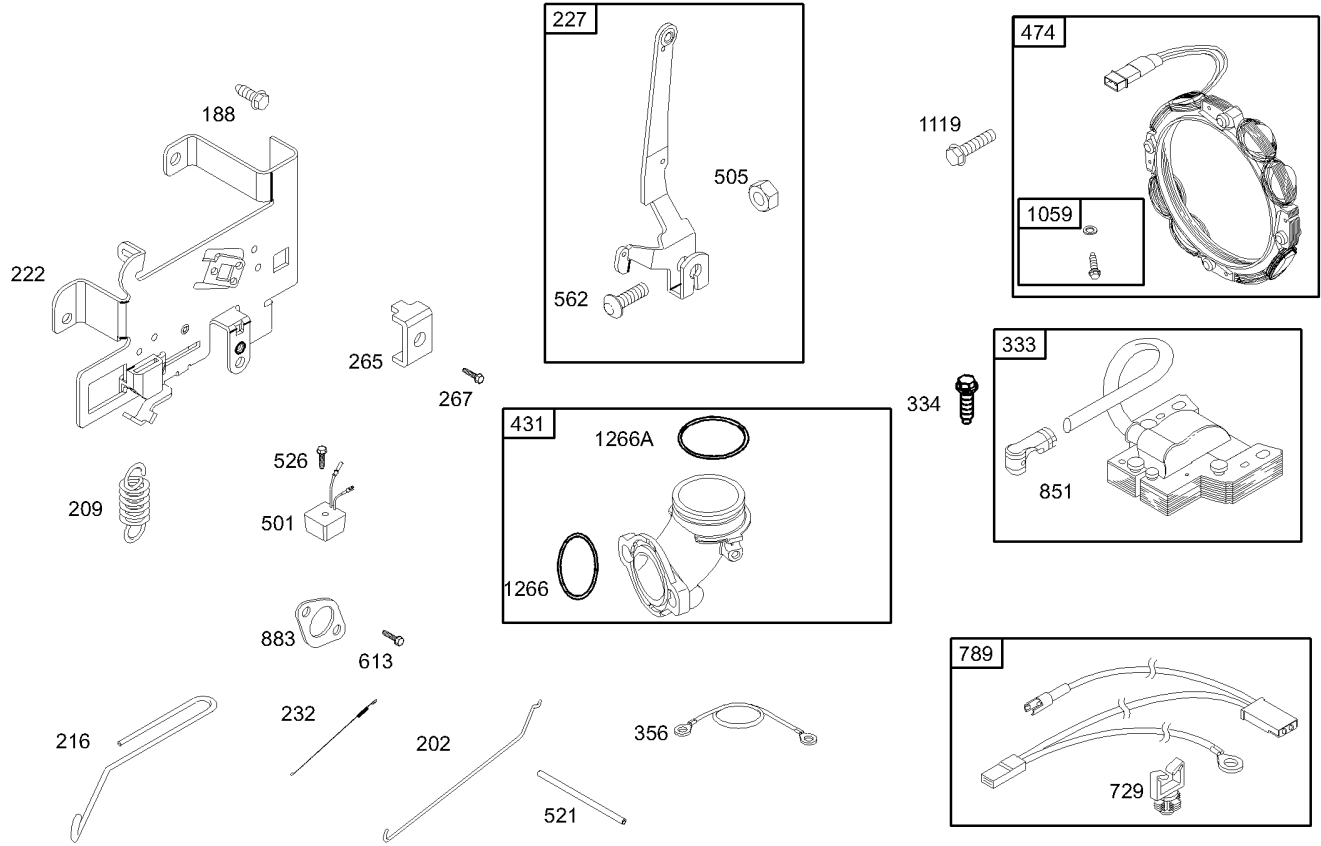


Assemblies include all parts shown in frames.

Carburetor Assembly Briggs and Stratton 31G777-0121-E1

Ref	Part No.	Qty.	Description
5 4 51	692137	1	Gasket-Intake
6 7			
7 53	690227	1	Stud
5 7 93	690602	1	Bushing-Shaft, Throttle
7 94	498030	1	Idle Mixture Kit
5 7 95	691636	1	Screw
7 98	495800	1	Idle Speed Kit
5 7 104	690525	1	Pin-Hinge, Carburetor Float
5 7 105	231855	1	Valve-Needle, Float
5 7 106	690577	1	Seat-Inlet
7 108	690464	1	Valve-Choke
7 108A	692344	1	Valve-Choke
7 117	694352	1	Jet-Main (STD)
7 118	697228	1	Jet-Main (High Altitude)
7 125	697190	1	Carburetor
7 127	695005	1	Plug-Welch
7 130	691750	1	Valve-Throttle
7 131	494379	1	Throttle Shaft Kit
7 133	494381	1	Float-Carburetor
5 6 137	281165	1	Gasket-Bowl, Float
7			
7 141	495097	1	Choke Shaft Kit
7 141A	495931	1	Choke Shaft Kit
5 7 142	697140	1	Nozzle-Carburetor

Ref	Part No.	Qty.	Description
7 186	698174	1	Connector-Hose
5 6 276	692255	1	Washer-Sealing
7			
5 7 634	690801	1	Spring / Seal ASM
5 7 634A	690802	1	Spring And Seal ASM
7 654	690958	1	Nut
7 692	690572	1	Spring-Detent
7 947	694393	1	Solenoid-Fuel
7 950	691657	1	Screw
7 958	494768	1	Valve-Fuel Shut Off
7 975	495933	1	Bowl-Float
5 7 987	691326	1	Seal-Shaft, Throttle
7 1091	691333	1	Cap-Limiter

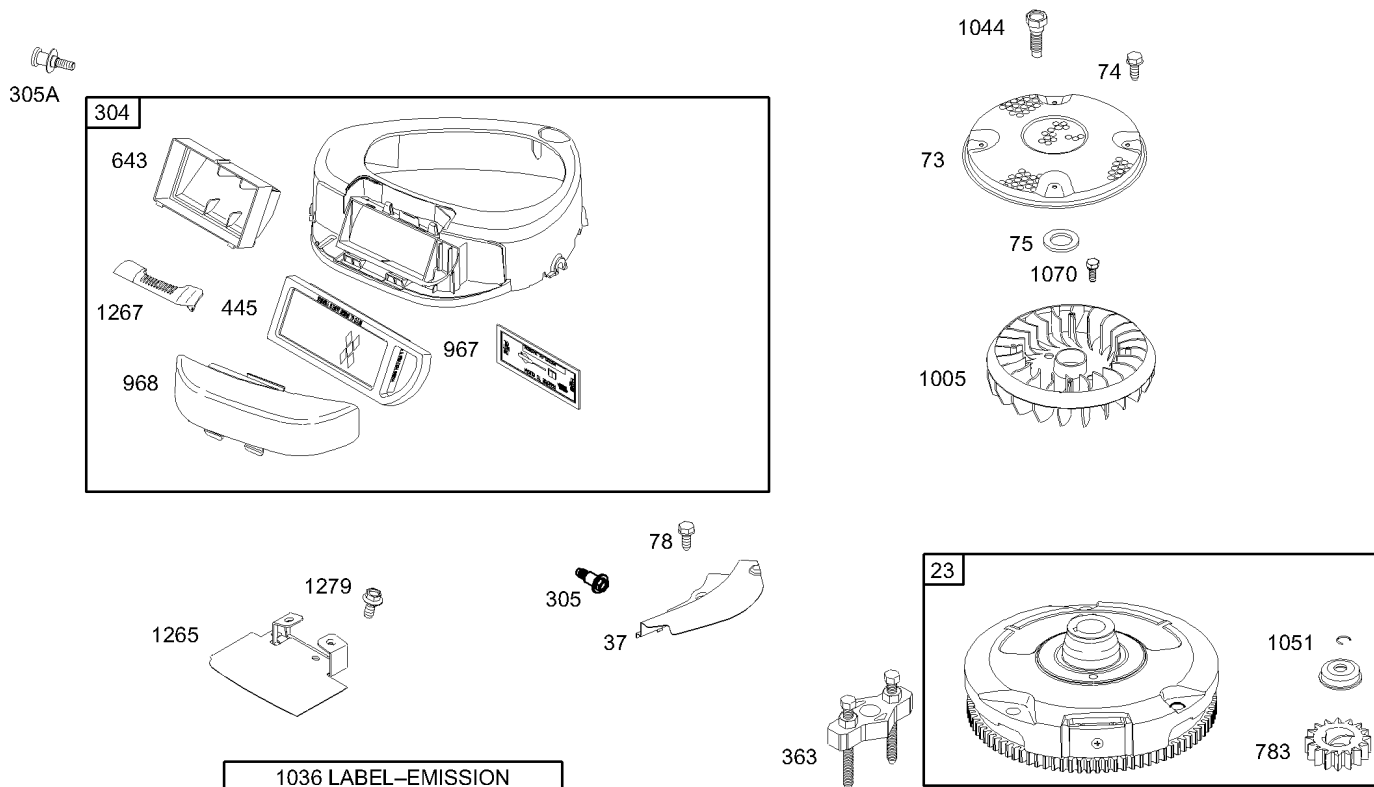


Assemblies include all parts shown in frames.

Governor Assembly Briggs and Stratton 31G777-0121-E1

Ref	Part No.	Qty.	Description
188	691693	1	Screw
202	691841	1	Link-Governor, Mechanical
209	691795	1	Spring-Governor
216	691840	1	Link-Choke
222	694042	1	Bracket-Control
227	691374	1	Lever-Control, Governor
232	691842	1	Spring-Link, Governor
265	691024	1	Clamp-Casing
267	690804	1	Screw
333	492341	1	Armature-Magneto
334	691061	1	Screw
356	697089	1	Stop-Wire
431	697122	1	Elbow-Intake
474	696457	1	Alternator
501	691188	1	Regulator
505	691251	1	Nut
521	690581	1	Shield-Cable
526	697088	1	Screw
562	691119	1	Screw
613	698941	1	Screw
729	691335	1	Clip-Wire
789	692037	1	Wiring-Harness
851	692424	1	Terminal-Spark Plug
883	692236	1	Gasket-Exhaust

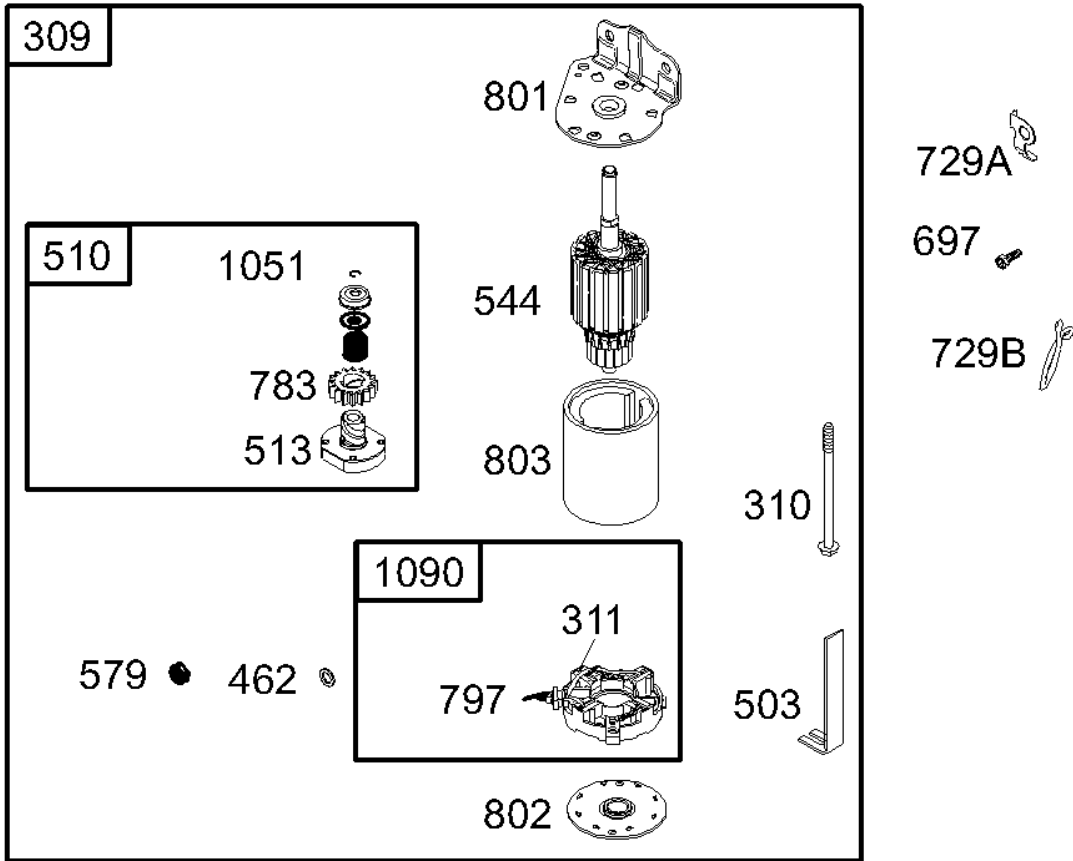
Ref	Part No.	Qty.	Description
1059	698516	1	Screw And Washer Kit
1119	691183	1	Screw
1266	691917	1	Seal-O Ring
1266A	697123	1	Seal-O Ring



Assemblies include all parts shown in frames.

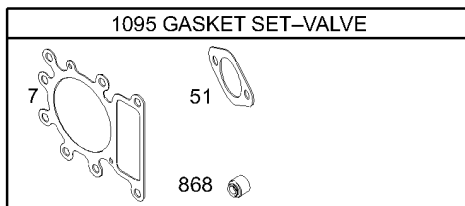
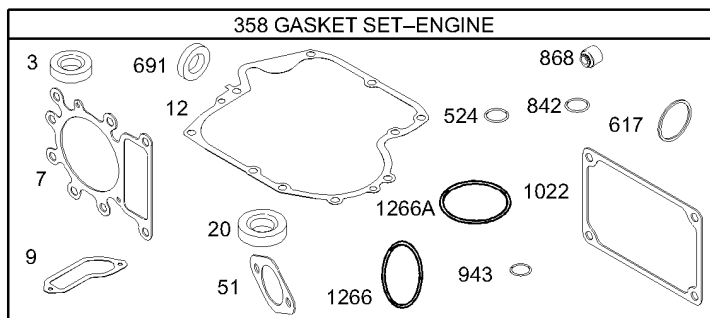
Blower Housing Assembly Briggs and Stratton 31G777-0121-E1

Ref	Part No.	Qty.	Description
23	693556	1	Flywheel
37	697108	1	Guard-Flywheel
73	697133	1	Screen-Rotating
74	697897	1	Screw
75	690582	1	Washer-Flywheel
78	691003	1	Screw
304	698804	1	Housing-Blower
305	697102	1	Screw
305A	697103	1	Screw
363	19203	1	Puller-Flywheel
445	698083	1	Filter-Cartridge, Air Cleaner
643	698401	1	Retainer-Filter, Air
783	693713	1	Gear-Pinion
967	697015	1	Filter-Cleaner, Pre
968	697084	1	Cover-Cleaner, Air
1005	697111	1	Fan-Flywheel
1036	695700	1	Label-Emission
1044	691658	1	Screw-Crankshaft Extension
1051	691265	1	Ring-Retaining
1070	690372	1	Screw
1265	697125	1	Support-Housing, Blower
1267	697135	1	Latch-Blower Housing
1279	690960	1	Screw



Starter Assembly Briggs and Stratton 31G777-0121-E1

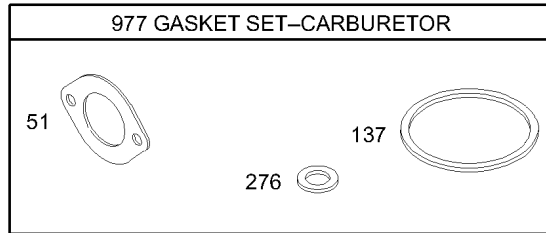
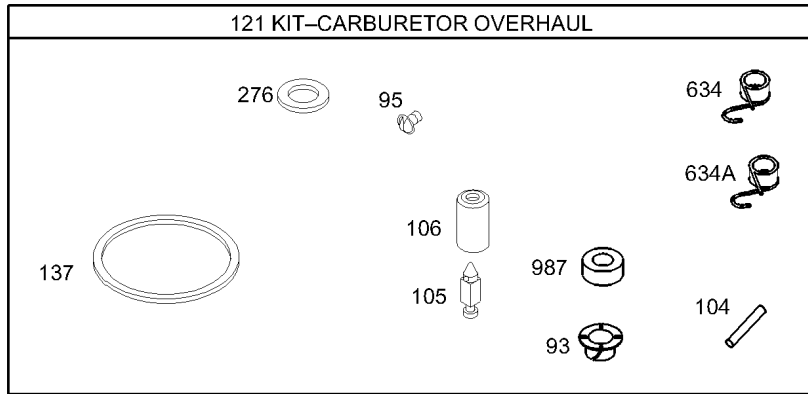
Ref	Part No.	Qty.	Description
309	693551	1	Motor-Starter
310	690323	1	Bolt
311	497608	1	Brush Set
462	691261	1	Washer
503	691532	1	Strap-Starter
510	693699	1	Drive-Starter
513	692024	1	Clutch-Drive
544	692034	1	Armature-Starter
579	691029	1	Nut
697	690372	1	Screw
729A	691224	1	Clip-Wire
729B	694123	1	Clip-Wire
783	693713	1	Gear-Pinion
797	693167	1	Nut
801	691283	1	Cap-Drive
802	691286	1	Cap-End
803	693757	1	Housing-Starter
1051	691265	1	Ring-Retaining
1090	691293	1	Retainer-Brush



Assemblies include all parts shown in frames.

Gasket Assembly Briggs and Stratton 31G777-0121-E1

Ref	Part No.	Qty.	Description
373	391086	1	Seal-Oil
347	692410	1	Gasket-Cylinder Head
7			
379	697109	1	Gasket-Breather
3712	697110	0	Gasket-Crankcase
3720	690947	1	Seal-Oil
3451	692137	1	Gasket-Intake
56			
7358	697191	1	Gasket Set-Engine
35617	692138	1	Seal-O Ring
7			
37524	691032	1	Seal-O Ring
37691	692407	1	Seal-Shaft, Governor
37842	691031	1	Seal-O Ring
34868	690968	1	Seal-Valve
7			
37943	690589	1	Seal-O Ring
371022	272475	1	Gasket-Cover, Rocker
71095	691581	1	Valve Gasket Set
351266	691917	1	Seal-O Ring
7			
351266A	697123	1	Seal-O Ring
7			



Assemblies include all parts shown in frames.

Carburetor Overhaul Kit Assembly Briggs and Stratton 31G777-0121-E1

Ref	Part No.	Qty.	Description
⑤④51 ⑥⑦	692137	1	Gasket-Intake
⑤⑦93	690602	1	Bushing-Shaft, Throttle
⑤⑦95	691636	1	Screw
⑤⑦104	690525	1	Pin-Hinge, Carburetor Float
⑤⑦105	231855	1	Valve-Needle, Float
⑤⑦106	691780	1	Seat-Inlet
⑦121	697884	1	Kit-Carburetor Overhaul
⑤⑥137 ⑦	281165	1	Gasket-Bowl, Float
⑤⑥276 ⑦	692255	1	Washer-Sealing
⑤⑦634	690801	1	Spring / Seal ASM
⑤⑦634A	690802	1	Spring And Seal ASM
⑦977	690192	1	Carburetor Gasket Set
⑤⑦987	691326	1	Seal-Shaft, Throttle

--	--	--	--

NOTES

