



150-DH Lawn Tractor

Model No. 74571 - 24000001 and up.

Parts Catalog

Ordering Replacement Parts

To order replacement parts, please supply the part number, the quantity, and the description of each part desired.

Understanding Reference Numbers

Each identified part in an illustration has a reference number. The reference number for a part also appears in the parts list, along with other information about the part.

This catalog uses two special reference number formats, one to indicate parts in a service assembly and another to indicate the quantity of a given part in an illustration.

Service Assembly Reference Numbers

Parts in service assemblies have reference numbers in the form a:b. The a represents the reference number of the entire service assembly and the b represents a sequential number unique to each part within the service assembly.

For example, a wheel assembly might be identified by reference number 6, the tire by 6:1, the valve by 6:2, and the wheel by 6:3. When you order the assembly identified by reference number 6, you receive all parts identified by reference numbers 6:1, 6:2, and 6:3. However, you may also order any part individually. Reference numbers of this type appear in illustrations and in part lists.

Reference Numbers Indicating Quantity

In an illustration, if a reference number indicates more than one part, the reference number has the form nX y. The n represents the quantity of the part, the X is the multiplication symbol, and the y represents the reference number.

For example, in an illustration, the reference number 2X 37 means that two of the parts identified by reference number 37 are indicated.

Contents

Description	Page	Description	Page
Frame and Seat Assembly 4	Center Case Assembly Transmission Assembly No. 104-2889 23
Front Axle Assembly 6	Pump Shaft Assembly Transmission Assembly No. 104-2889 24
Steering Assembly 7	Grass Collector Assembly 25
Body and Hood Assembly 8	Collector Assembly 26
Engine Assembly 9	Cutting Pan, Mower Housing Assembly 27
Operation - Brake and Bypass Assembly 10	Cutting Pan-Bag on Demand Assembly 28
Operation Travel Pedal Assembly 11	Cutting Pan and Drive System Assembly 29
Transmission Drive Assembly 12	Mower Lift Assembly 30
Control Shaft Assembly Transmission Assembly No. 104-2889 14	Electrical Assembly 31
Motor Shaft Assembly Transmission Assembly No. 104-2889 15	Electrical Switch Assembly No. 1 32
Transaxle Case Assembly Transmission Assembly No. 104-2889 16	Electrical Switch Assemblies No.2 33
Differential Gear Assembly Transmission Assembly No. 104-2889 17	Electrical Switch Assemblies No.3 34
Final Pinion Assembly Transmission Assembly No. 104-2889 18	Cylinder, Crankshaft and Piston Assemblies Briggs and Stratton 282H79-23502 35
Axle Shaft Assembly Transmission Assembly No. 104-2889 19	Cylinder Head Assembly Briggs and Stratton 282H79-23502 36
Brake Assembly Transmission Assembly No. 104-2889 20	Carburetor Assembly Briggs and Stratton 282H79-23502 37
Fan Pulley Assembly Transmission Assembly No. 104-2889 21	Blower Housing Assembly Briggs and Stratton 282H79-23502 38
Range Shift Assembly Transmission Assembly No. 104-2889 22	Flywheel Assembly Briggs and Stratton 282H79-23502 39
		Starter and Electrical Assembly Briggs and Stratton 282H79-23502 40
		Gasket Assembly Briggs and Stratton 282H79- 23502 42

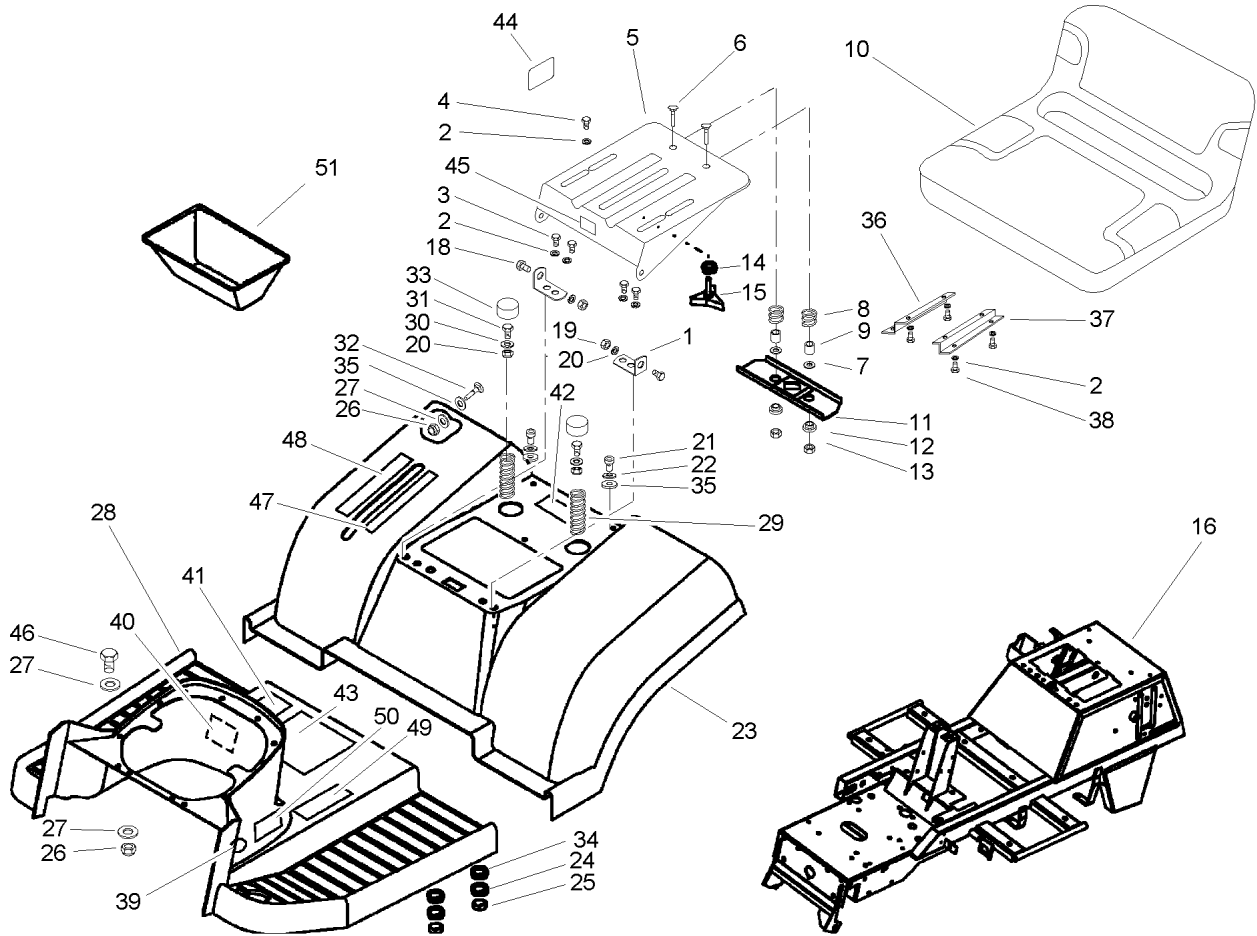
Part Description Abbreviations

Part descriptions in this catalog may include the following abbreviations.

AR.	as required	HYD.	hydraulic
ASM.	assembly	LH.	left hand
BBC.	blade brake clutch	NI.	nylon insert
CARR.	carriage	NPTF.	national pipe thread fine
DEG.	degrees	PFH.	phillips flat head
EXT.	external	PPH.	phillips pan head
FH.	flat head	PPHTF.	phillips pan head thread forming
GA.	gauge	PRH.	phillips round head
HD.	heavy-duty	PTH.	phillips truss head
HF.	hex flange	PTO.	power-take-off
HH.	hex head	RH.	right hand
HHF.	hex head flange	ROPS.	roll-over protection system
HHFTF.	hex head flange thread forming	SFH.	slotted fillister head
HJ.	hex jam	SHH.	slotted hex head
HLH.	hex lag head	SHWH.	slotted hex washer head
HOC.	height-of-cut	SPH.	slotted pan head
HSBH.	hex socket button head	SQH.	square head
HSFH.	hex socket flat head	SRH.	slotted round head
HSH.	hex socket head	STD.	standard
HWH.	hex washer head	TAP.	self tapping
HWHTF.	hex washer head thread forming	TTH.	torx truss head

Footnotes

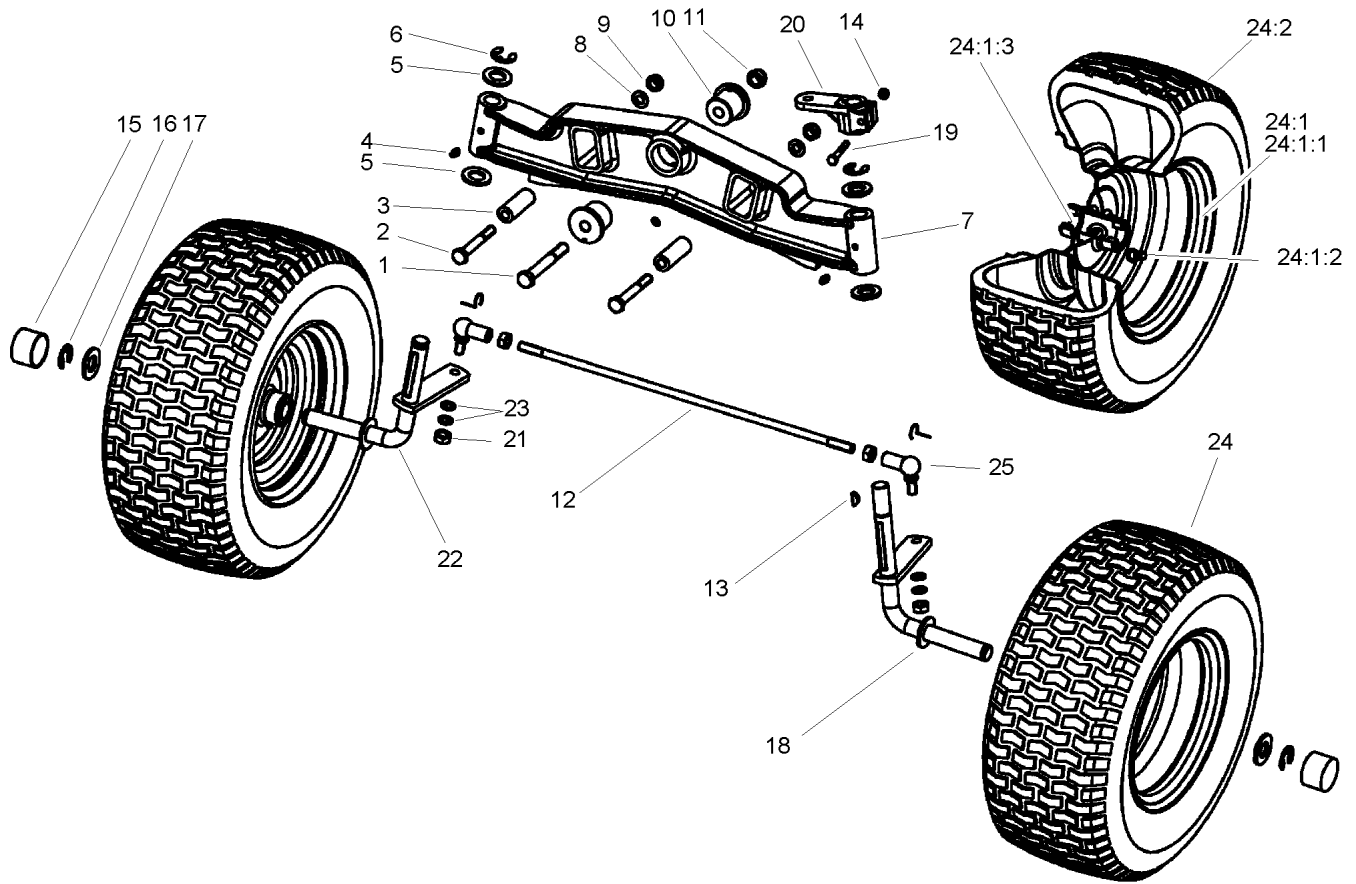
- | | | | |
|---|---|---|---|
| ❶ | Not illustrated | ❷ | Not serviced separately |
| ❸ | Included in Engine Gasket Set-Ref. 358. | ❹ | Included in Valve Gasket Set-Ref. 1095. |
| ❺ | Included in Carburetor Overhaul Kit-Ref. 121. | ❻ | Included in Carburetor Gasket Set-Ref. 977. |
| ❻ | Obtain from your local Briggs & Stratton dealer | | |



Frame and Seat Assembly

Ref	Part No.	Qty.	Description
1	104-2926	2	Bracket-Support, Seat
2	42-9850	10	Washer-Lock, Spring
3	33114-025	10	Screw-HH
4	322-3	2	Screw-HH
5	104-2929	1	Support-Seat
6	104-2930	2	Bolt-Carriage
7	104-2931	2	Washer-Flat
8	104-2932	2	Spring-Seat
9	104-2933	2	Spacer-Split
10	107-2214	1	Seat ASM
11	104-2934	1	Bracket
12	104-2935	2	Bushing
13	33023-00	2	Nut-Lock
14	104-2936	2	Washer-Spring
15	104-2937	2	Knob-Adj.
16	107-8948	1	Chassis-Frame
18	104-2939	2	Screw-Support, Seat
19	33094-00	6	Washer-Plain
20	33024-00	8	Nut-Lock
21	104-2940	2	Screw-HSFH
22	104-2941	2	Washer-Finish
23	106-5752	1	Fender
24	33095-00	4	Washer-Flat
25	33025-00	4	Nut-Lock

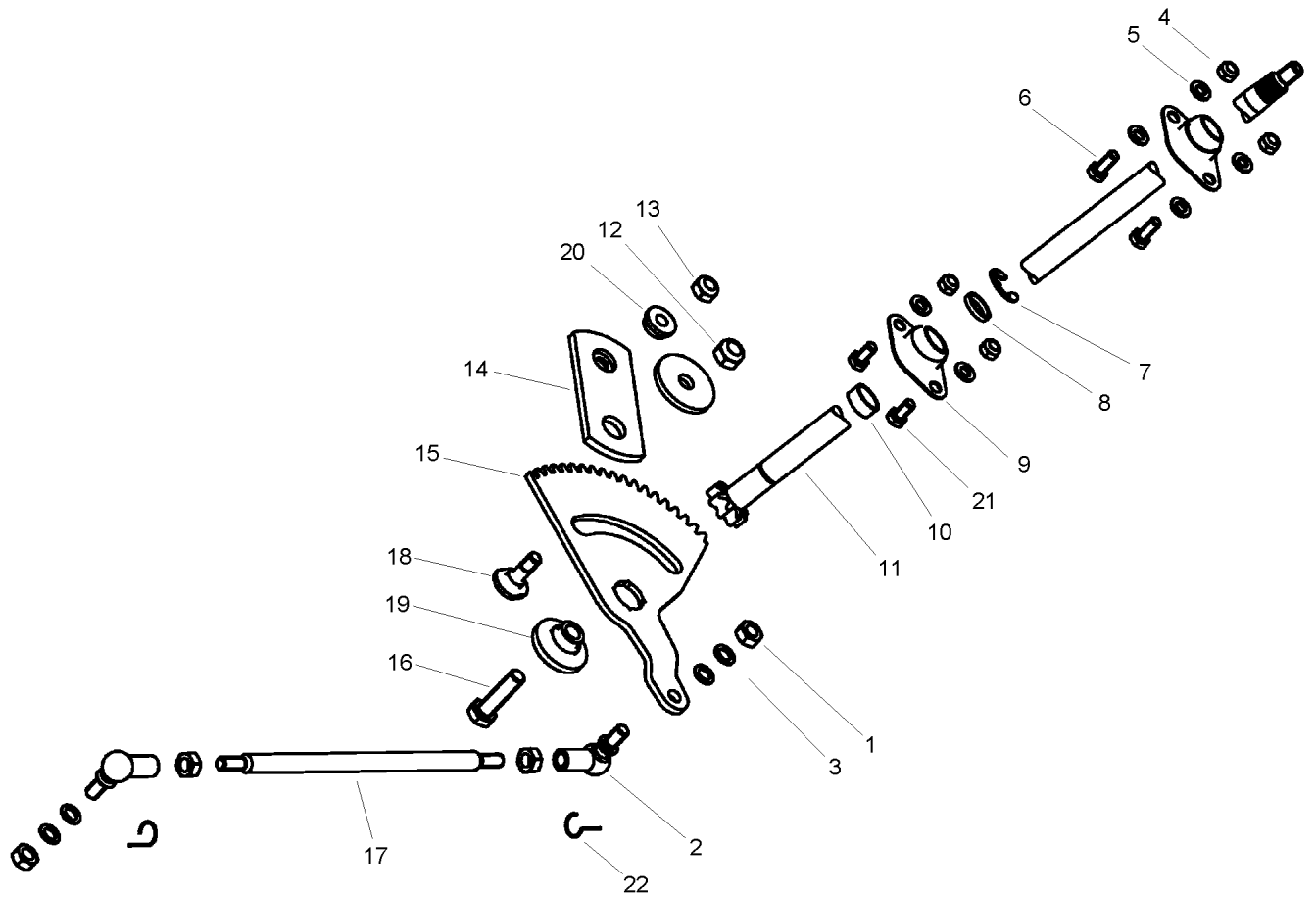
Ref	Part No.	Qty.	Description
26	87-5140	6	Nut-Lock
27	104-2943	6	Washer-Flat
28	104-2944	1	Footrest ASM
29	104-2945	2	Spring-Seat
30	104-2946	6	Washer-Plain
31	33114-020	2	Screw-HH
32	104-2948	6	Bolt-Carriage
33	104-2857	2	Cap-Hub
34	104-2951	2	Washer-Rubber
35	104-2952	2	Washer-Rubber
36	107-8915	1	Bracket-Seat, RH
37	107-8916	1	Bracket-Seat, LH
38	104-3195	4	Screw
39	104-3237	1	Decal-Brake, Parking
40	104-3238	1	Decal-Starting
41	104-3241	1	Decal-Operation, Hydro
42	104-3242	1	Decal-Bag To Frame
43	104-2903	1	Decal-Instruction
44	99-5340	1	Decal-Switch
45	93-7276	1	Decal-Danger
46	60-6910	6	Screw
47	104-3239	1	Decal-HOC, LH
48	104-3240	1	Decal-HOC, RH
49	106-8552	1	Decal-Operation



Front Axle Assembly

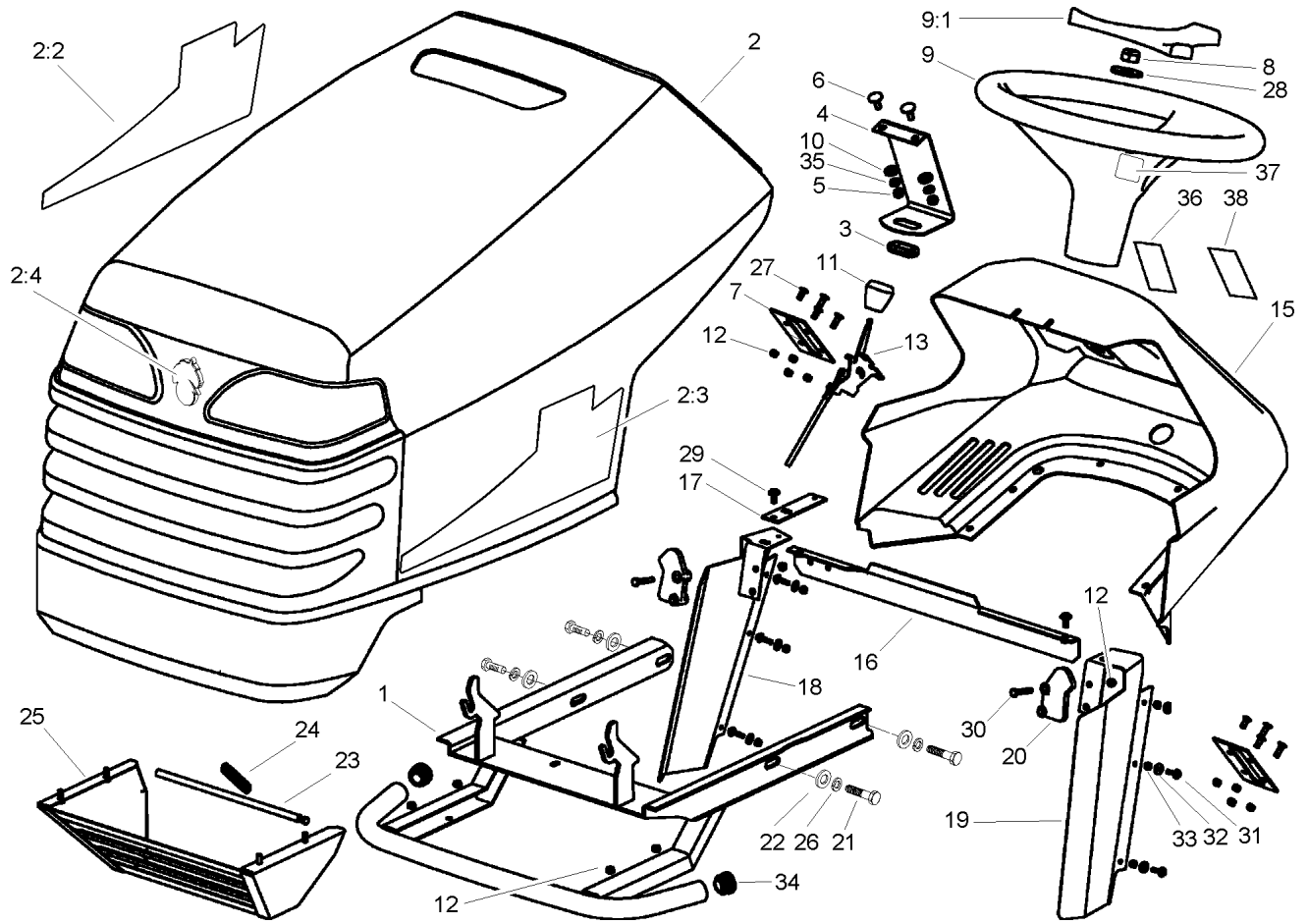
Ref	Part No.	Qty.	Description
1	33116-090	1	Screw-HH
2	33115-080	2	Screw-HH
3	107-8949	2	Spacer
4	104-2904	3	Fitting-Grease
5	104-2905	4	Washer-Flat
6	104-2891	2	Clip-Spring
7	104-2852	1	Axle-Front
8	104-2906	2	Washer-Flat
9	33025-00	2	Nut-Lock
10	104-2890	2	Bushing-Axle, Front
11	104-2907	1	Nut-Self Locking
12	104-2855	1	Rod-Tie, Front Axle
13	104-2856	1	Key-Woodruff
14	33023-00	1	Nut-Lock
15	104-2857	2	Cap-Hub
16	104-2891	2	Clip-Spring
17	104-3206	2	Washer
18	107-8925	1	LH Spindle ASM
19	33113-045	1	Screw-HH
20	104-2862	1	Lever-Spindle, Steering
21	33015-00	4	Nut-Hex
22	107-8926	1	RH Spindle ASM
23	106-5757	4	Washer
24	107-2223	2	Wheel And Tire ASM

Ref	Part No.	Qty.	Description
24:1	107-8927	1	Wheel ASM
24:1:1		1	Rim
24:1:2	106-8596	1	Valve-Tire
24:1:3	110513	2	Bearing-Wheel
24:2	99-2988	1	Tire
25	104-2876	2	Joint-Ball, Angle
99	232-39	1	Tube-Inner



Steering Assembly

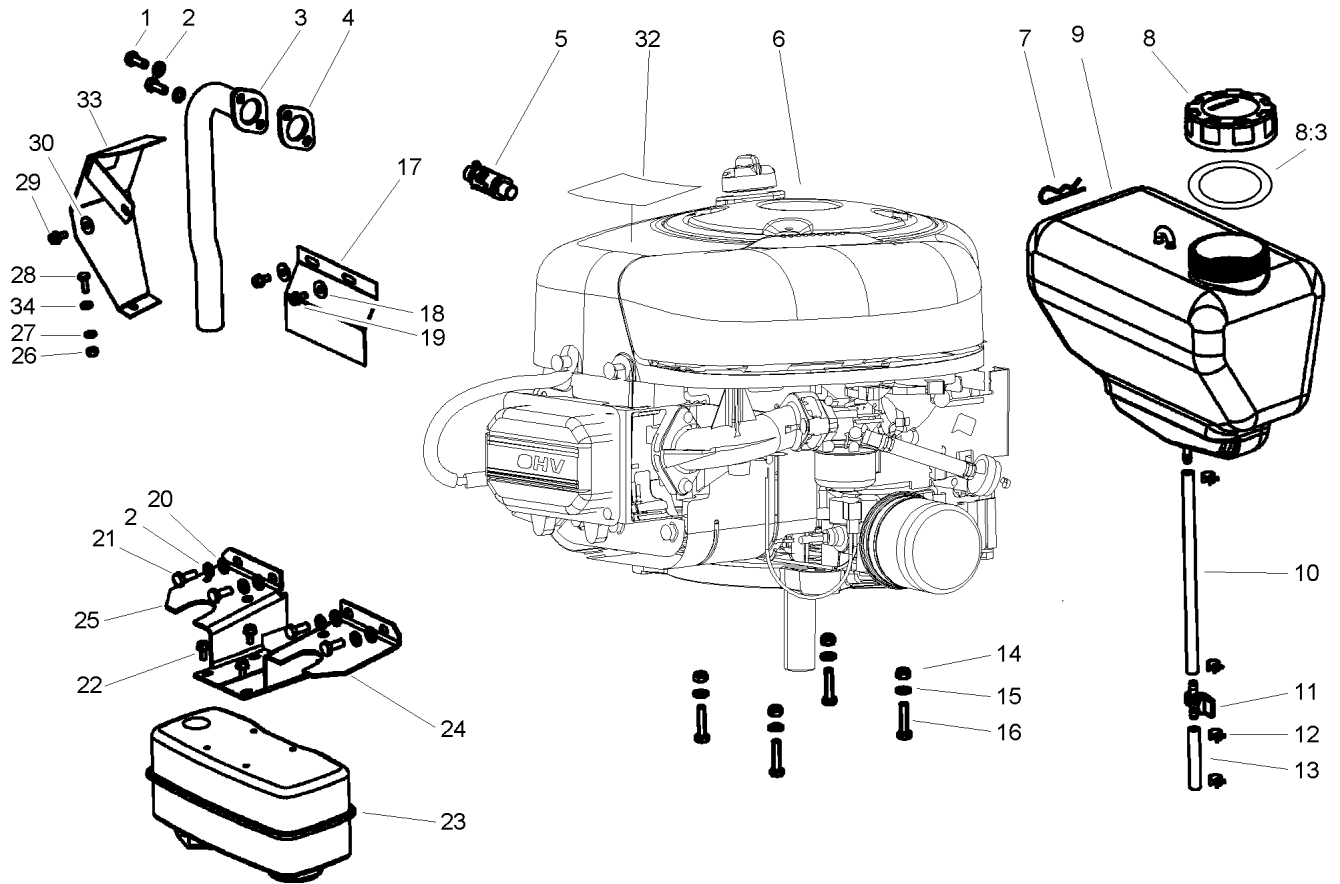
Ref	Part No.	Qty.	Description
1	33015-00	4	Nut-Hex
2	104-2876	2	Joint-Ball, Angle
3	106-5757	4	Washer
4	33024-00	4	Nut-Lock
5	33094-00	6	Washer-Plain
6	33114-020	2	Screw-HH
7	104-2891	1	Clip-Spring
8	104-2877	1	Spacer-Upper
9	104-2878	2	Bearing-Spherical
10	104-2879	1	Spacer-Lower
11	106-5773	1	Shaft-Steering
12	33026-00	1	Nut-Lock
13	33025-00	1	Nut-Lock
14	105-1238	1	Plate-Steering
15	104-2883	1	Gear-Sector
16	104-2910	1	Screw-Hex
17	104-2886	1	Link-Drag
18	105-1239	1	Bolt-Shoulder
19	105-1240	1	Pivot-Steering
20	105-1241	1	Bushing
21	33114-016	2	Screw-HH
22	104-2865	2	Stirrups-Locking



Body and Hood Assembly

Ref	Part No.	Qty.	Description
1	107-2216	1	Support-Bumper
2	107-8951	1	Hood ASM
2:2	107-8913	1	Decal-Hood, RH
2:3	107-8902	1	Decal-Hood, LH
2:4	95-4248	1	Decal
3	104-2959	1	Bushing
4	104-2960	1	Holder-Tank, Fuel
5	33023-00	2	Nut-Lock
6	104-2961	2	Screw
7	104-2962	1	Brace
8	33026-00	1	Nut-Lock
9	98-1471	1	Wheel-Steering
9:1	98-1468	1	Cover-Wheel, Steering
10	33094-00	2	Washer-Plain
11	66-0120	1	Knob
12	87-5140	14	Nut-Lock
13	106-4166	1	Cable-Throttle And Choke
15	104-2968	1	Panel-Dash
16	104-2970	1	Brace
17	104-2971	1	Bracket
18	104-2972	1	Panel-Right
19	104-2973	1	Panel-Left
20	92-6960	2	Latch-Hood
21	33114-020	4	Screw-HH

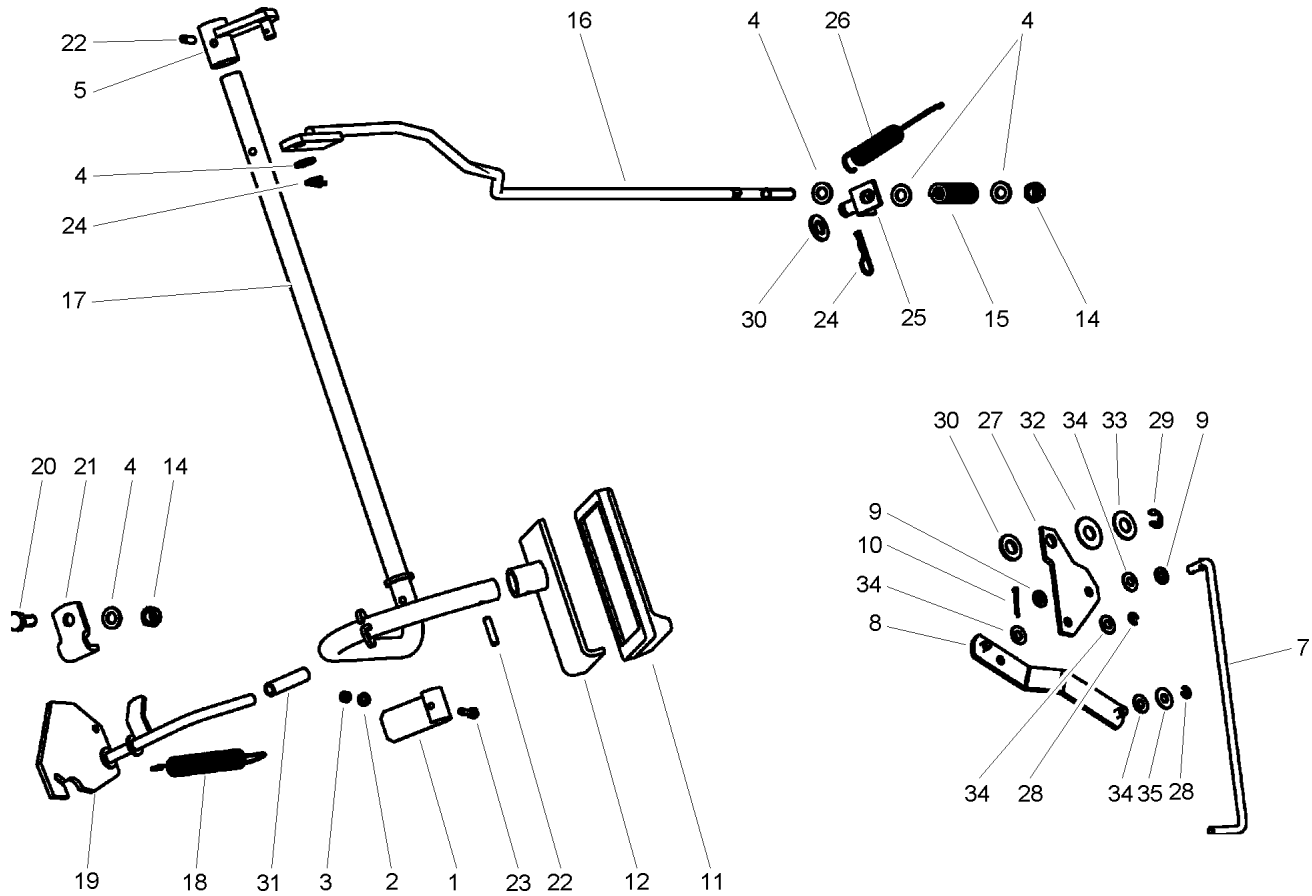
Ref	Part No.	Qty.	Description
22	104-2946	4	Washer-Plain
23	104-2974	1	Bar-Safety
24	104-2975	1	Spring-Hood
25	107-2218	1	Guard-Muffler
26	42-9850	4	Washer-Lock, Spring
27	106-5759	4	Screw
28	106-5758	1	Washer
29	104-2980	2	Screw
30	104-2981	4	Screw
31	107-8918	6	Screw
32	104-3175	6	Washer
33	104-2985	6	Nut-Hex
34	107-8943	2	End Cap-Tube
35	43-5930	2	Washer-Spring
36	107-8920	1	Decal-Dash Throttle And Ignition
37	98-1459	1	Decal
38	104-3235	1	Decal-PTO



Engine Assembly

Ref	Part No.	Qty.	Description
1	322-3	2	Screw-HH
2	42-9850	6	Washer-Lock, Spring
3	104-3221	1	Tube-Exhaust
4	88-4410	1	Gasket-Muffler
5	104-3208	1	Valve-Oil Drain
6		1	Engine-Briggs And Stratton, 282H79-23502
7	104-3144	1	Pin-Hair
8	88-3980	1	Gas Cap ASM
8:3	88-4010	1	Gasket-Cap, Gas
9	104-3057	1	Tank-Fuel
10	104-3211	1	Line-Fuel
11	104-3224	1	Valve-Tank, Fuel
12	104-3212	4	Clamp-Line, Fuel
13	104-3213	1	Line-Fuel
14	33024-00	4	Nut-Lock
15	33094-00	4	Washer-Plain
16	33114-035	4	Screw-HH
17	104-3222	1	Cover-Front
18	104-2931	2	Washer-Flat
19	106-5763	2	Screw
20	33094-00	4	Washer-Plain
21	33114-020	4	Screw-HH
22	106-5763	4	Screw

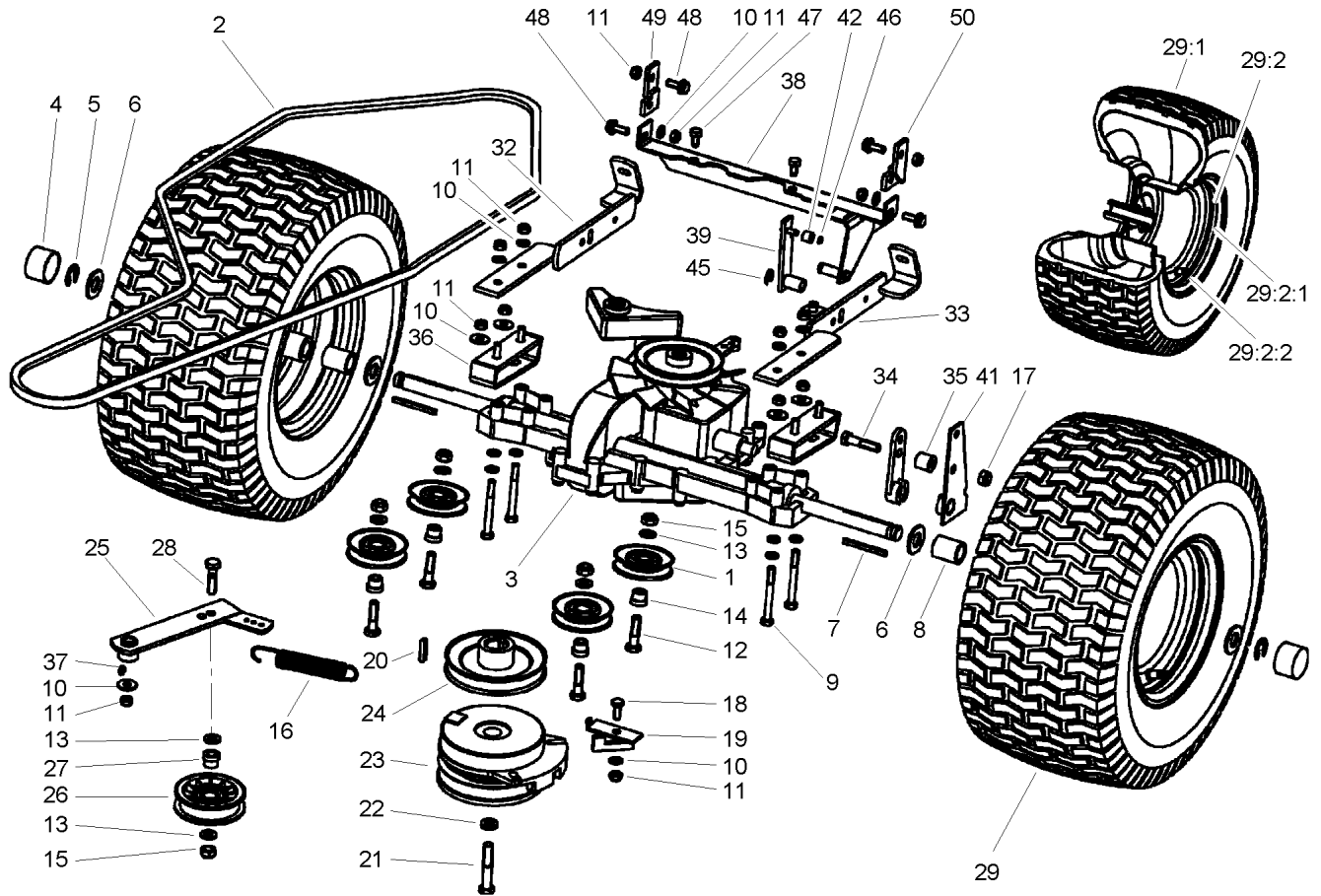
Ref	Part No.	Qty.	Description
23	104-3229	1	Muffler
24	104-3214	1	Guard-Muffler, LH
25	104-3215	1	Guard-Muffler, RH
26	33013-00	1	Nut-Hex
27	104-3186	1	Washer-Spring
28	33113-016	1	Screw-HH
29	106-5763	1	Screw
30	104-2931	1	Washer-Flat
32	107-2219	1	Decal-Engine
33	105-1242	1	Cover-Manifold, Exhaust
34	33093-00	1	Washer-Flat



Operation - Brake and Bypass Assembly

Ref	Part No.	Qty.	Description
1	104-2992	1	Lever-Spring
2	104-2984	1	Washer
3	104-2985	1	Nut-Hex
4	33094-00	5	Washer-Plain
5	104-2993	1	Bracket-Rod, Brake
7	104-2995	1	Rod-Lever, Bypass
8	107-8944	1	Lever-Bypass
9	104-3193	2	Washer
10	104-2997	1	Pin-Cotter
11	104-2998	1	Pad-Pedal
12	104-2999	1	Pedal
14	33024-00	2	Nut-Lock
15	104-3002	1	Spring-Brake
16	104-3003	1	Rod-Connecting, Brake
17	104-3004	1	Shaft-Brake
18	104-3005	1	Spring-Brake, Hand
19	104-3006	1	Lever-Brake, Hand
20	33114-020	1	Screw-HH
21	104-3007	1	Clamp-Lever, Parking Brake
22	104-3008	2	Pin-Spring
23	104-3009	1	Screw-Hex
24	104-3016	2	Pin-Cotter
25	104-3011	1	Bracket-Rod, Brake
26	104-3012	1	Spring

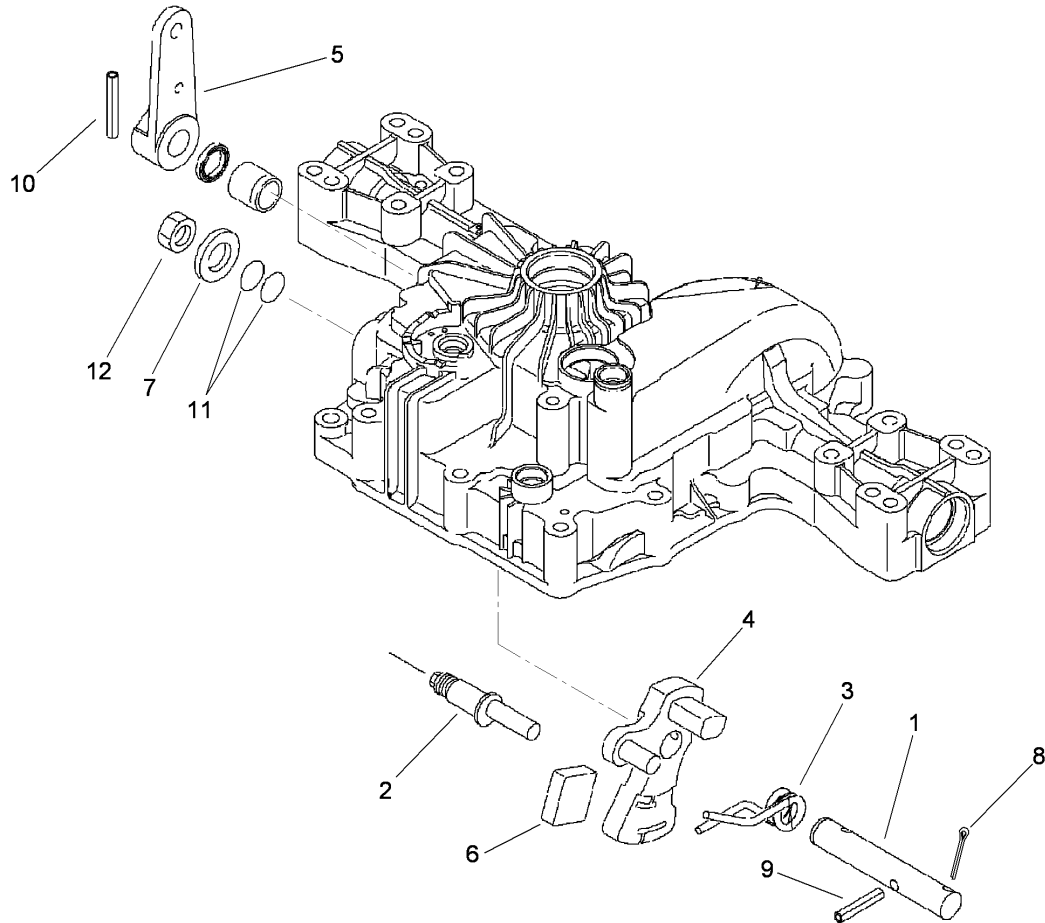
Ref	Part No.	Qty.	Description
27	104-3323	1	Plate-Bypass
28	104-3014	2	Stirrup
29	104-3015	1	Stirrup
30	33095-00	2	Washer-Flat
31	104-3247	1	Cap
32	106-5768	1	Washer
33	106-5769	1	Washer
34	106-5770	4	Washer
35	106-5771	1	Washer



Transmission Drive Assembly

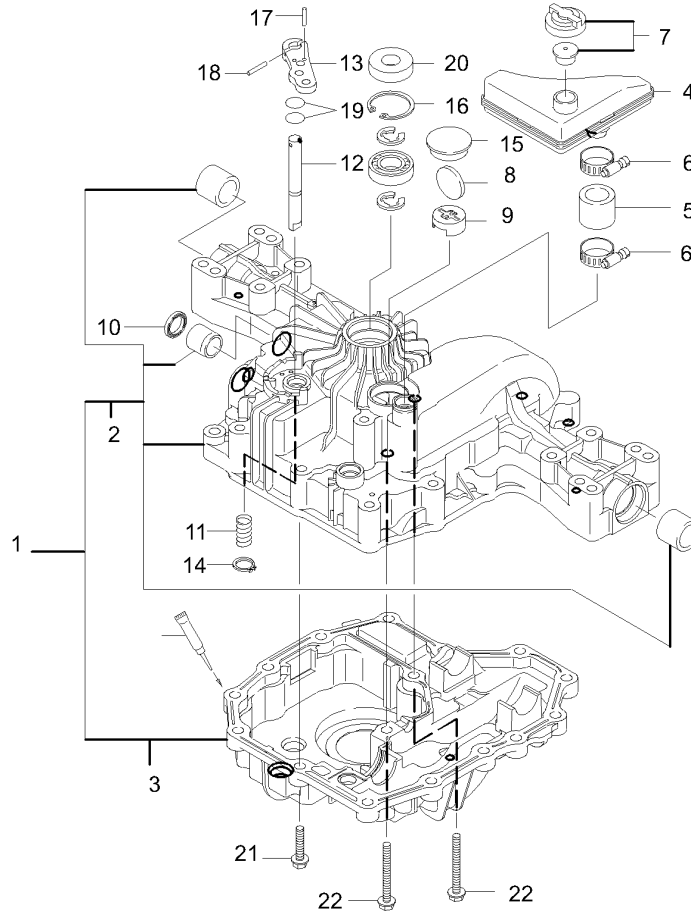
Ref	Part No.	Qty.	Description
1	104-2887	4	Pully-Idler
2	104-2888	1	V-Belt-Traction
3	104-2889	1	Transmission
4	104-2857	2	Cap-Hub
5	104-2891	2	Clip-Spring
6	104-3206	4	Washer
7	104-2892	2	Key-Square
8	104-2895	2	Spacer-Axle
9	33114-080	4	Screw-HH
10	33094-00	16	Washer-Plain
11	33024-00	14	Nut-Lock
12	33115-040	4	Screw-HH
13	33095-00	6	Washer-Flat
14	104-2896	4	Bushing-Idler
15	33025-00	5	Nut-Lock
16	104-2897	1	Spring
17	33025-00	1	Nut-Lock
18	33114-020	1	Screw-HH
19	104-2898	1	Retainer
20	104-2899	1	Key-Square
21	3212-10	1	Screw-HH
22	93-9043	1	Washer-Spring, Belleville
23	104-3334	1	Clutch-Electric
24	104-2911	1	Pulley-Engine

Ref	Part No.	Qty.	Description
25	104-2912	1	Arm-Idler
26	104-2913	1	Pulley-Idler
27	104-2896	1	Bushing-Idler
28	33115-040	1	Screw-HH
29	107-2224	2	Wheel And Tire ASM
29:1	99-2996	1	Tire
29:2	107-8928	1	Wheel ASM
29:2:1		1	Rim
29:2:2	106-8596	1	Valve-Tire
32	106-8594	1	Bracket-Right
33	106-8593	1	Bracket-Left
34	33115-045	1	Screw-HH
35	104-2925	1	Sleeve
36	107-8947	2	Bracket-Support
37	104-2904	1	Fitting-Grease
38	104-3327	1	Bar ASM
39	104-3328	1	Arm-Switch
41	104-3326	1	Tenon
42	104-3329	1	Roller
45	104-3341	1	Stirrup
46	104-3014	1	Stirrup
47	104-3344	2	Screw-Thread Forming
48	104-3065	4	Screw-Hex
49	107-8945	1	Bracket-Right



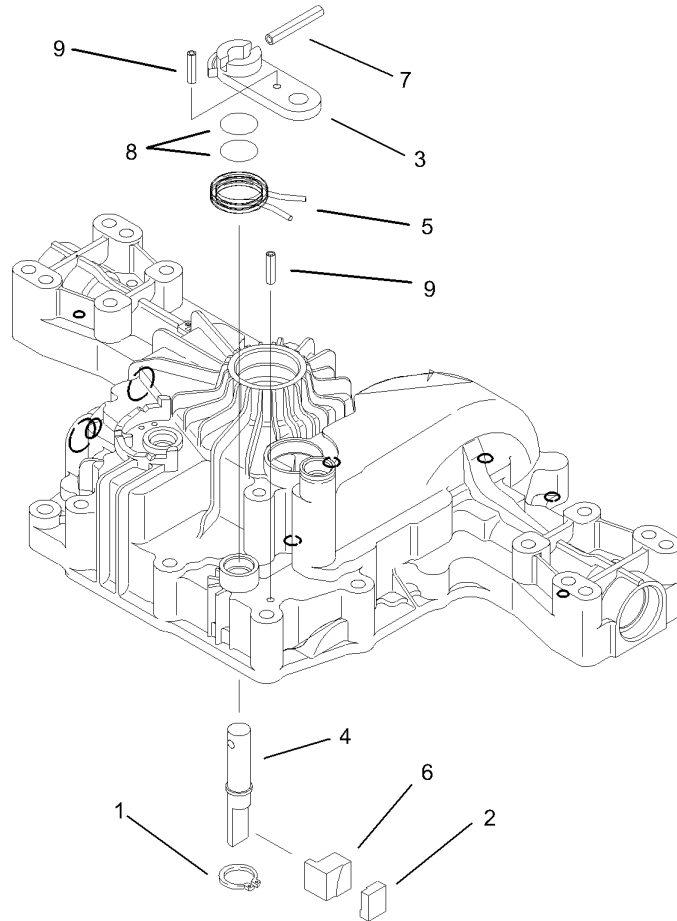
Control Shaft Assembly Transmission Assembly No. 104-2889

Ref	Part No.	Qty.	Description
1	114-3181	1	Shaft-Control
2	104-3292	1	Fulcrum-Eccentricity
3	104-3293	1	Spring-Torsion
4	114-3180	1	Arm-Control
5	104-3342	1	Arm-Transaxle
6	104-3296	1	Plate-Jerky
7	93-0417	1	Washer
8	114-3182	1	Pin-Cotter
9	104-3297	1	Pin
10	93-0411	1	Pin-Roll
11	104-3298	2	Packing
12	93-0420	1	Nut



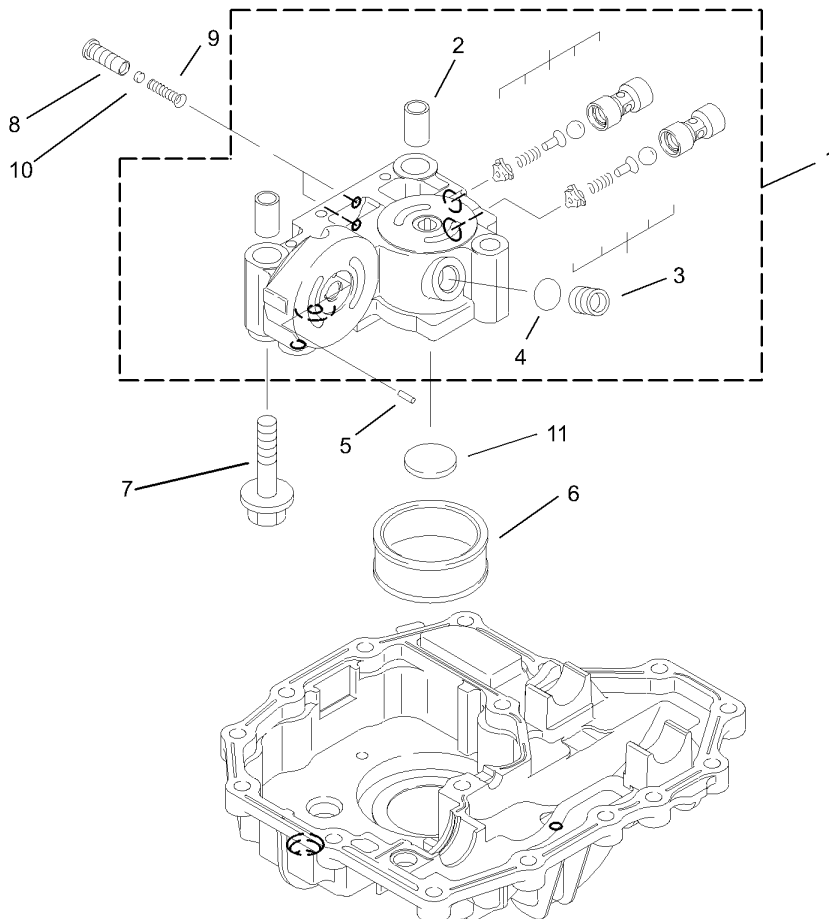
Transaxle Case Assembly Transmission Assembly No. 104-2889

Ref	Part No.	Qty.	Description				
1	104-3251	1	Transaxle Case Set				
2	104-3252	1	Housing-Upper				
3	104-3253	1	Housing-Lower				
4	104-2914	1	Tank-Reservoir, With Cap				
5	104-3254	1	Tube				
6	104-3255	2	Clamp-Miniature				
7	104-3256	1	Valve-Vent, 15				
8	104-3257	1	Magnet				
9	104-3258	1	Holder-Magnet				
10	104-3259	1	Seal-Oil				
11	93-0396	1	Spring				
12	104-3260	1	Shaft-Bypass				
13	104-3261	1	Lever-Bypass				
14	104-3262	1	Ring				
15	104-3263	1	Plug-Bore				
16	93-0360	1	Ring				
17	104-3264	1	Pin				
18	104-3265	1	Pin				
19	93-0419	2	Packing				
20	93-0361	1	Seal				
21	93-0363	14	Screw-TAP				
22	104-3266	2	Screw-TAP				



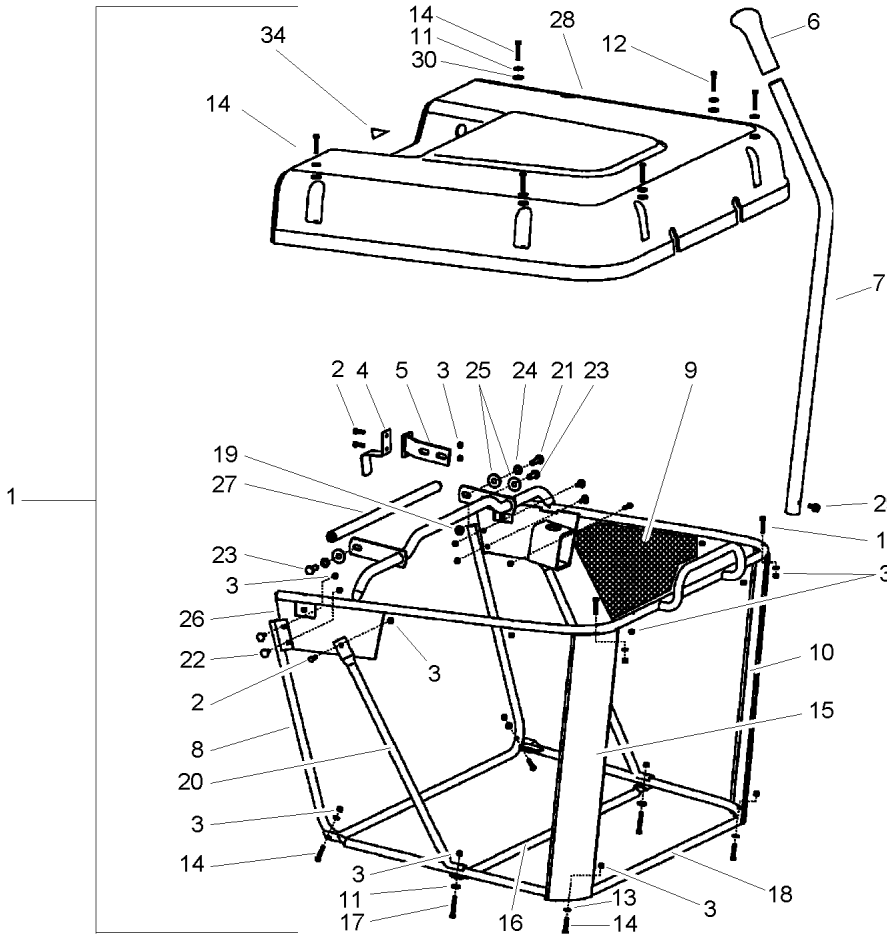
Brake Assembly Transmission Assembly No. 104-2889

Ref	Part No.	Qty.	Description	
1	104-3313	1	Ring	
2	104-3314	1	Shoe-Brake	
3	104-3315	1	Arm-Brake	
4	104-3316	1	Shaft-Brake	
5	104-3317	1	Spring-Return, Brake	
6	104-3318	1	Actuator-Brake	
7	92-0767	1	Pin	
8	92-0786	2	O-Ring	
9	104-3319	2	Pin	



Center Case Assembly Transmission Assembly No. 104-2889

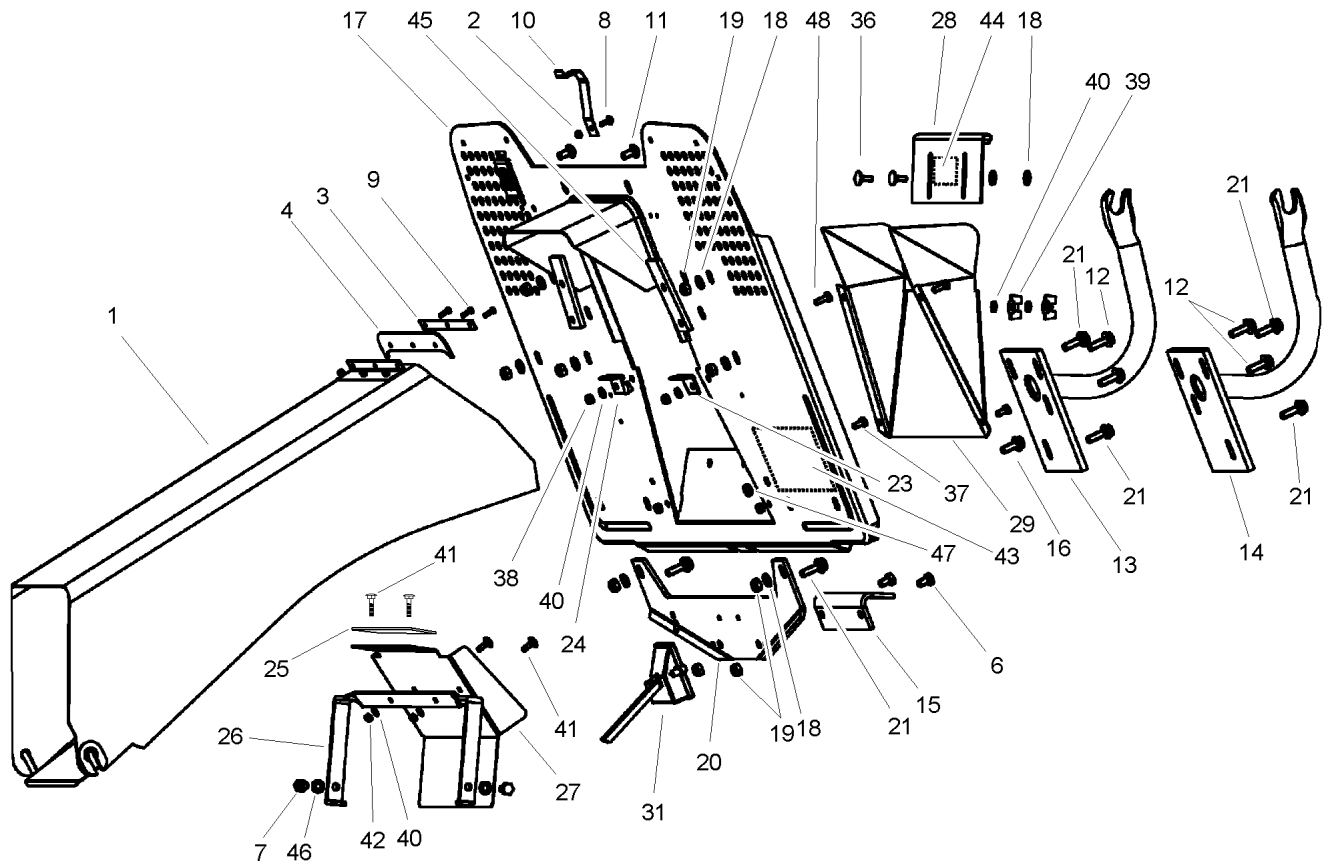
Ref	Part No.	Qty.	Description				
1	104-3267	1	Case-Center				
2	104-3268	2	Pin-Knock				
3	104-3269	1	Plug				
4	93-0419	1	Packing				
5	104-3270	1	Pin				
6	104-3271	1	Filter				
7	104-3272	3	Bolt				
8	104-3273	2	Valve				
9	104-3274	2	Spring				
10	104-3275	2	Filter				
11	104-3257	1	Magnet				



Grass Collector Assembly

Ref	Part No.	Qty.	Description
1	106-5760	1	Collector ASM
2	60-6910	2	Screw
3	87-5140	22	Nut-Lock
4	104-3033	1	Spring-Coll, Interlock Switch
5	106-5761	1	Bracket-Spring
6	104-3035	1	Grip-Handle
7	107-8917	1	Lever-Dump
8	104-3037	1	Front Frame ASM
9	104-3038	1	Bag-Grass
10	104-3039	1	Support-Corner, Right
11	104-2943	6	Washer-Flat
12	87-5150	4	Bolt
13	52-6430	14	Washer
14	104-3041	10	Screw-Hex
15	104-3042	1	Support-Corner, Left
16	104-3043	1	Brace-Connecting
17	104-3044	2	Screw-Hex
18	104-3045	1	Bottom Frame ASM
19	33024-00	1	Nut-Lock
20	104-3046	2	Brace
21	33114-025	1	Screw-HH
22	104-2948	4	Bolt-Carriage
23	33114-020	2	Screw-HH
24	42-9850	2	Washer-Lock, Spring

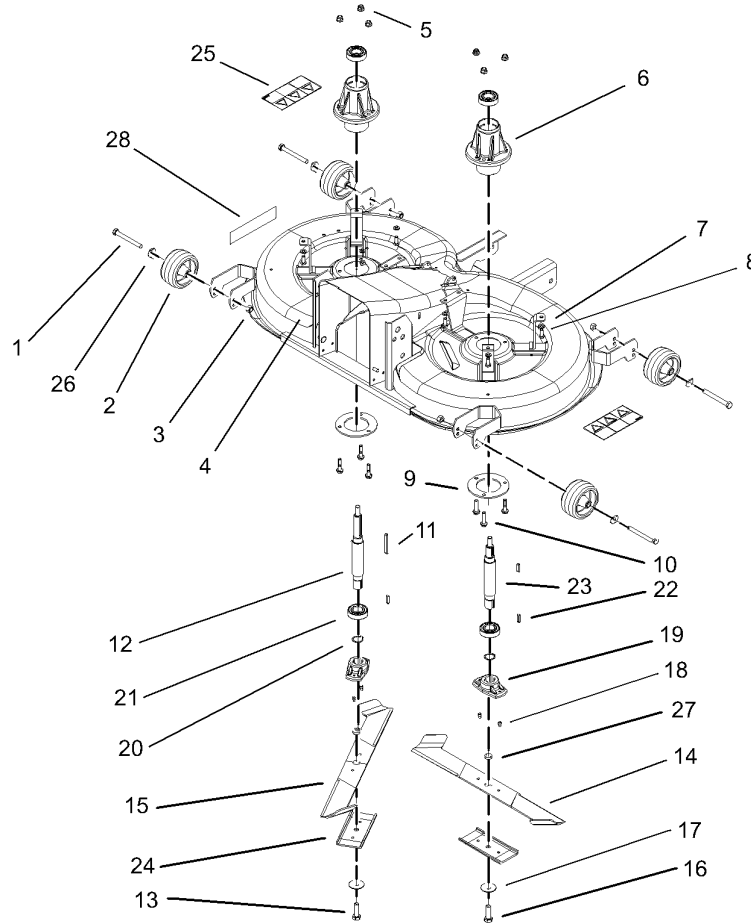
Ref	Part No.	Qty.	Description
25	104-2946	4	Washer-Plain
26	104-3047	1	Top Frame ASM
27	104-3048	1	Handle-Lift
28	106-5762	1	Cover-Collector
29	106-5763	1	Screw
30	104-2952	6	Washer-Rubber
34	104-3242	1	Decal-Bag To Frame



Collector Assembly

Ref	Part No.	Qty.	Description
1	106-8562	1	Tunnel
2	104-2985	4	Nut-Hex
3	104-3055	1	Plate-Support
4	104-3056	1	Seal-Rubber
6	33114-020	2	Screw-HH
7	68-9410	2	Screw-Flange
8	104-2983	1	Screw
9	104-3058	3	Screw-SFH
10	104-3059	1	Cover-Switch
11	104-3060	2	Bolt-Carriage
12	104-3061	4	Screw
13	104-3062	1	Support-Collector, Right
14	104-3063	1	Support-Collector, Left
15	104-3064	1	Hitch-Tow
16	104-3065	6	Screw-Hex
17	104-3066	1	Collector Plate ASM
18	33095-00	9	Washer-Flat
19	33024-00	9	Nut-Lock
20	104-3067	1	Support-Hitch, Tow
21	104-3068	5	Screw-Hex
23	106-8597	1	Support-Tunnel, Left
24	106-8598	1	Support-Tunnel, Right
25	106-8599	1	Shield-Rubber
26	104-3069	1	Bracket-Shield, Protective

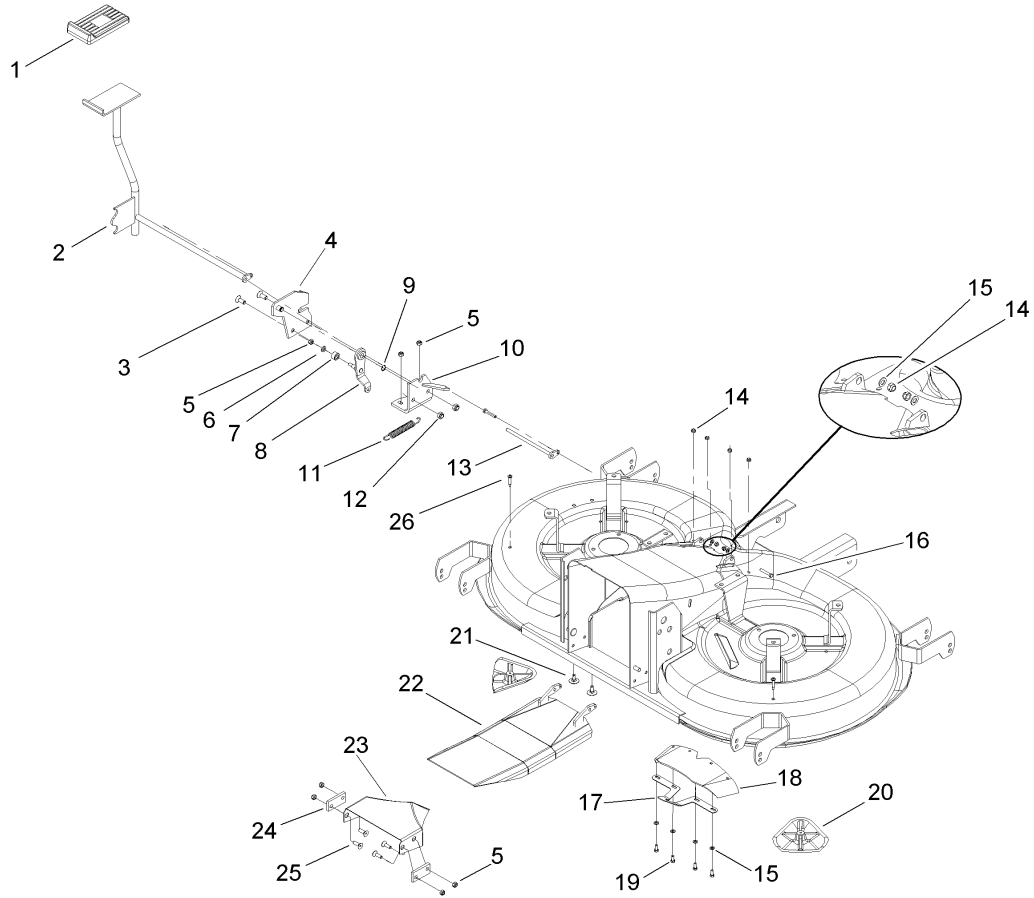
Ref	Part No.	Qty.	Description
27	104-3070	1	Shield-Protective
28	104-3336	1	Shield-Adjustable
29	104-3335	1	Hopper-Receiving
31	104-3074	1	Overload Switch ASM
36	104-2961	2	Screw
37	33113-012	2	Screw-HH
38	33023-00	4	Nut-Lock
39	32103-28	2	Nut-Wing
40	33093-00	4	Washer-Flat
41	104-2948	4	Bolt-Carriage
42	87-5140	4	Nut-Lock
43	104-3243	1	Decal-Bypass, Hydro
44	104-2853	1	Decal-Position, Bagging
45	104-3347	2	Plate-Reinforcing
46	104-3348	2	Washer-Spring
47	106-5772	1	Bushing
48	106-8575	2	Screw-HH



Cutting Pan, Mower Housing Assembly

Ref	Part No.	Qty.	Description
1	33115-090	4	Screw-HH
2	104-3080	4	Wheel-Gauge
3	33025-00	4	Nut-Lock
4	106-8564	1	Mower Housing ASM
5	104-3082	6	Nut-Lock, HF
6	104-3083	2	Housing-Quill
7	33094-00	8	Washer-Plain
8	33114-020	8	Screw-HH
9	104-3084	2	Support-Ring
10	104-3085	6	Bolt-HHF
11	104-3086	1	Key
12	106-8565	1	Shaft-Blade, Left
13	106-5797	1	Bolt-HH, Blade
14	106-8557	1	Blade-RH
15	106-8558	1	Blade-LH
16	106-5798	1	Bolt-Blade, HH
17	106-6532	2	Washer-Blade
18	104-3093	4	Pin-Shear, Grooved
19	106-4185	2	Adapter-Blade
20	104-3095	2	Ring-Locking
21	104-6325	4	Bearing-Ball
22	104-3097	3	Key-Square
23	106-8566	1	Shaft-Blade, Right
24	106-6533	2	Stiffener-Blade

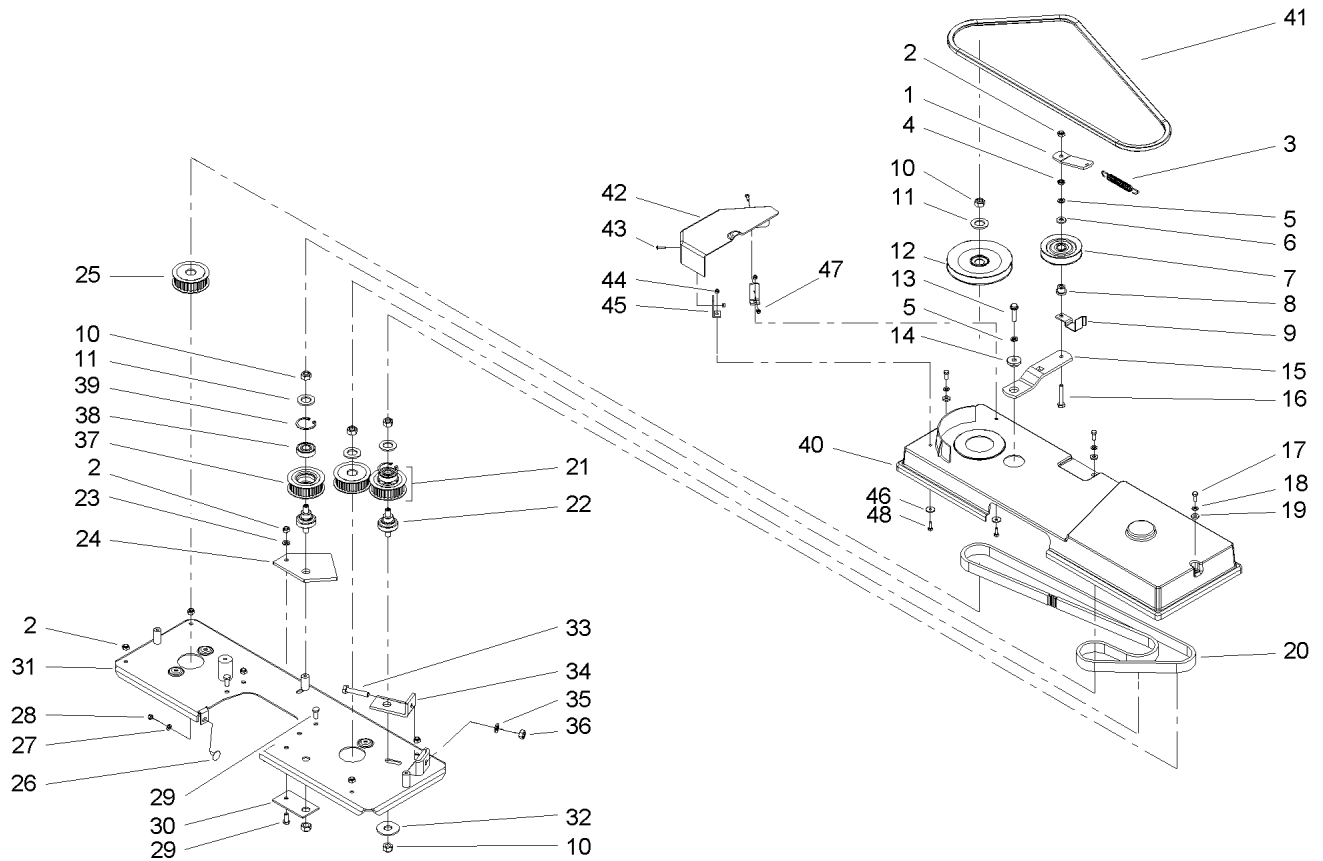
Ref	Part No.	Qty.	Description
25	93-7824	2	Decal-Danger
26	106-5767	4	Washer
27	106-6530	2	Spacer
28	106-8563	1	Decal-Recycler



Cutting Pan-Bag on Demand Assembly

Ref	Part No.	Qty.	Description
1	106-8583	1	Cover-Lever, Foot
2	106-8582	1	Lever-Foot
3	100-8159	2	Screw-HSFH
4	106-8578	1	Plate-Stop
5	33023-00	7	Nut-Lock
6	33093-00	1	Washer-Flat
7	106-8581	1	Roller
8	106-8579	1	Lever-Spring
9	106-8592	1	Ring-Locking
10	106-8577	1	Bracket-Mounting
11	106-8580	1	Spring
12	48-9510	2	Nut
13	106-8585	1	Rod-Door, Mulch
14	87-5140	6	Nut-Lock
15	52-6430	6	Washer
16	87-5150	2	Bolt
17	106-8567	2	Guide
18	106-8586	1	Gasket-Door, Mulch
19	106-8575	4	Screw-HH
20	106-8587	1	Kicker
21	33123-016	2	Screw-CARR
22	106-8584	1	Door-Mulch
23	106-8573	1	Baffle-Center
24	106-8572	2	Plate-Baffel, Center

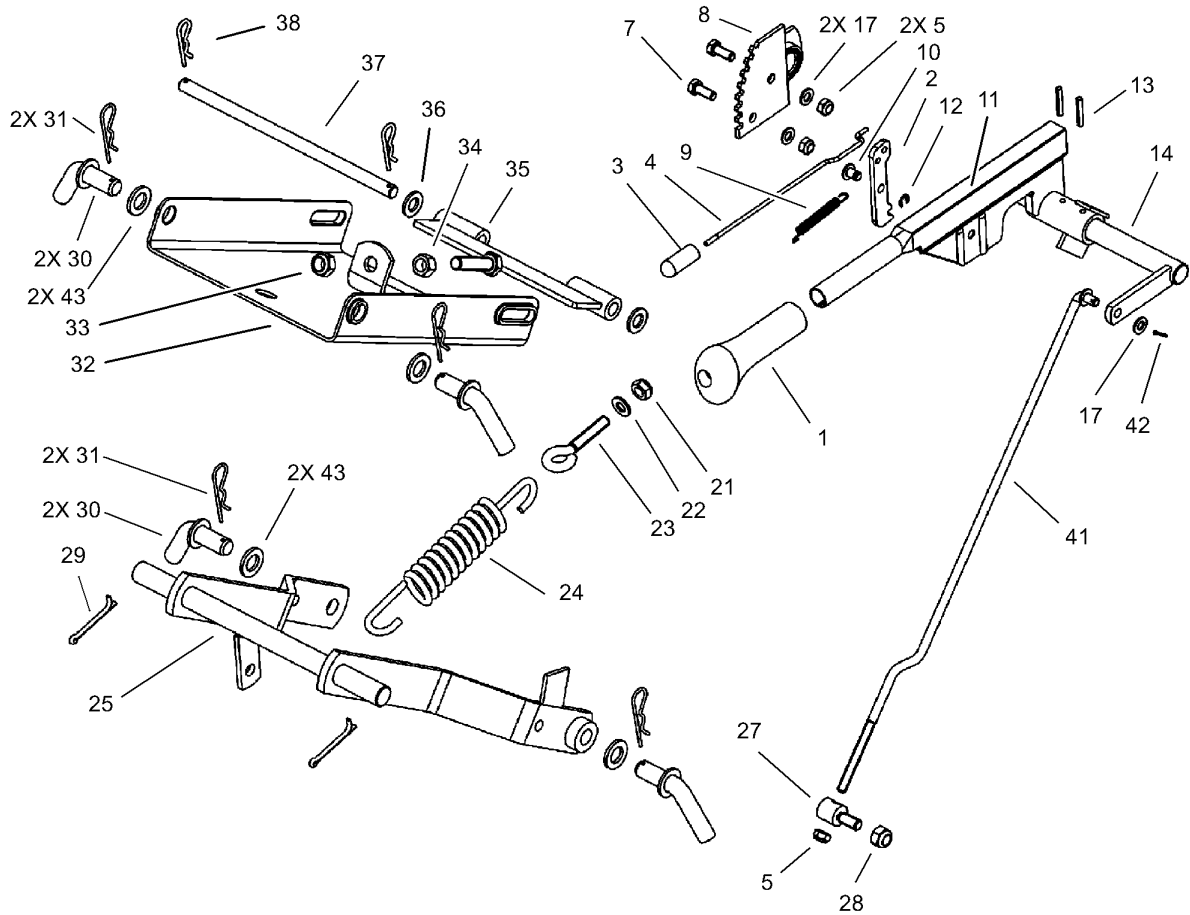
Ref	Part No.	Qty.	Description
25	106-8574	4	Screw
26	104-1451	2	Screw-TAP, PPH



Cutting Pan and Drive System Assembly

Ref	Part No.	Qty.	Description
1	104-3099	1	Lever-Engagement
2	48-9510	8	Nut
3	104-3101	1	Spring
4	57-6390	1	Nut-Jam
5	42-9850	2	Washer-Lock, Spring
6	106-8588	1	Washer-Flat
7	104-3103	1	Pulley-Idler
8	104-3104	1	Bushing
9	104-3105	1	Retainer-Belt
10	48-9540	6	Nut-Lock, Hex NI
11	33099-00	4	Washer-Flat
12	104-3107	1	Pulley-Drive
13	104-3085	1	Bolt-HHF
14	104-3108	1	Spacer-Shoulder
15	104-3109	1	Arm-Idler
16	33114-050	1	Screw-HH
17	33113-016	3	Screw-HH
18	106-8568	3	Washer-Flat
19	83-7420	3	Washer-Rubber
20	106-8591	1	Belt-Cog
21	104-3113	2	Cog Pulley ASM
22	104-3114	2	Pin-Pulley, Cog
23	33094-00	1	Washer-Plain
24	104-3115	1	Support-Pulley

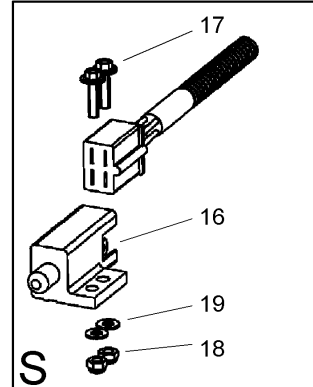
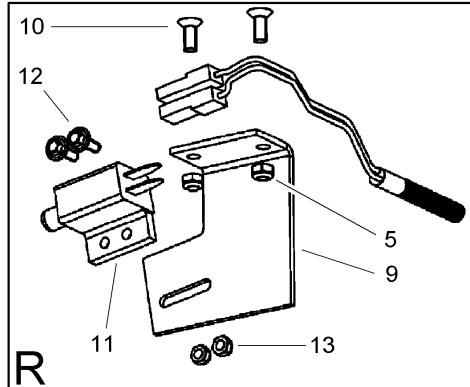
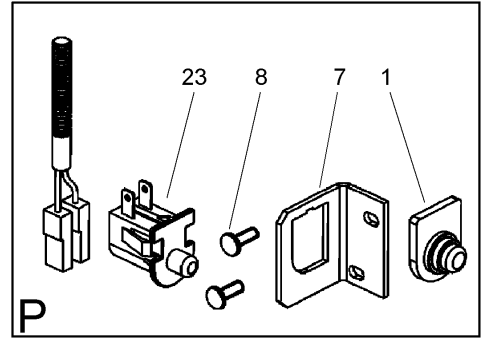
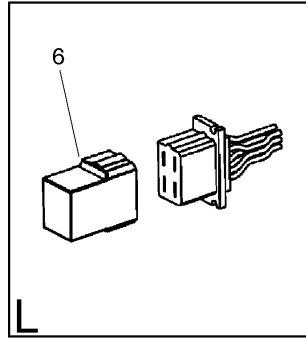
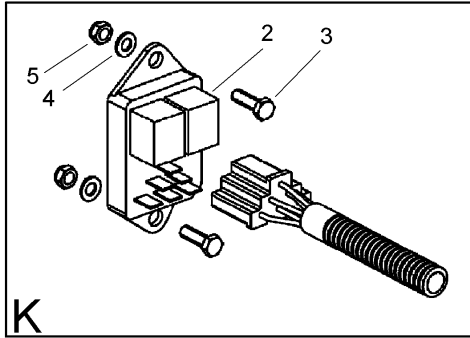
Ref	Part No.	Qty.	Description
25	104-3116	2	Pulley-Cog, Drive
26	33123-016	2	Screw-CARR
27	33093-00	2	Washer-Flat
28	33023-00	2	Nut-Lock
29	33114-025	3	Screw-HH
30	104-3117	1	Plate-Anchor
31	106-8590	1	Blade-Drive Plate
32	104-2909	1	Washer
33	33115-050	1	Screw-HH
34	104-3120	1	Bracket-Idler
35	33095-00	1	Washer-Flat
36	48-9520	1	Nut
37	104-3121	1	Pulley-Cog
38	100-1048	1	Bearing-Ball
39	104-3123	1	Ring-Locking
40	106-8589	1	Belt-Cover
41	104-3127	1	V-Belt
42	107-8941	1	Guard-Belt
43	60-6910	2	Screw
44	87-5140	2	Nut-Lock
45	107-8940	2	Bracket
46	3256-61	4	Washer-Flat
47	46-0430	2	Nut-Lock
48	107-8918	2	Screw



Mower Lift Assembly

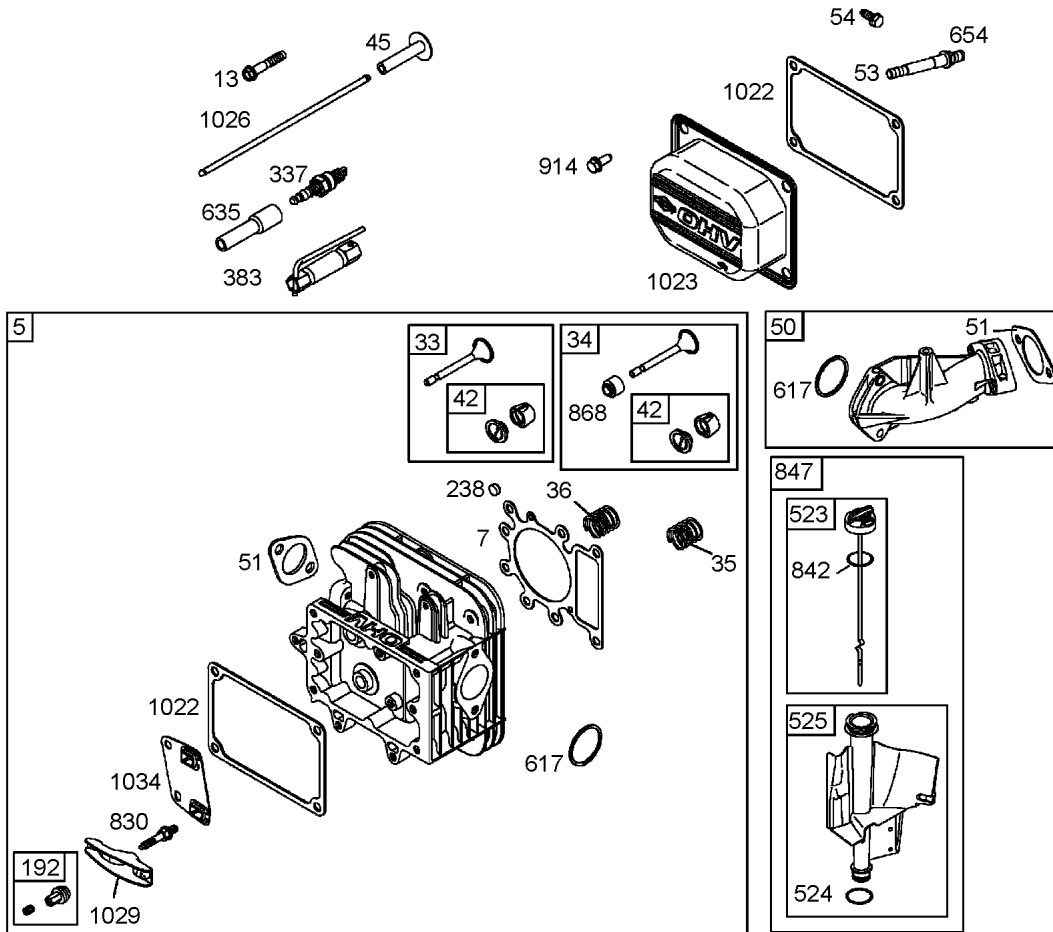
Ref	Part No.	Qty.	Description
1	104-3129	1	Grip-Handle
2	104-3130	1	Ratchet-Plate, Pivot
3	104-3131	1	Button-Plunger
4	104-3132	1	Rod-Connection
5	33024-00	3	Nut-Lock
7	33114-020	2	Screw-HH
8	104-3133	1	Segment-Gear
9	104-3134	1	Spring
10	104-3135	1	Pin-Arm Lever
11	104-3136	1	Lever-Arm, Height Adj.
12	104-3137	1	Clip-Pin
13	104-2994	2	Pin-Spring
14	104-3138	1	Shaft-Height Adj.
17	33094-00	3	Washer-Plain
21	33025-00	1	Nut-Lock
22	33095-00	1	Washer-Flat
23	104-3139	1	Bolt-Eye
24	104-3140	1	Spring-Lift
25	104-3141	1	Pivot Arm ASM
27	104-3142	1	Pin-Lifting
28	33025-00	1	Nut-Lock
29	104-3016	2	Pin-Cotter
30	104-3143	4	Pin-Bent
31	104-3144	4	Pin-Hair

Ref	Part No.	Qty.	Description
32	104-3145	1	Suspension-Mower Deck, Front
33	33026-00	1	Nut-Lock
34	33016-00	1	Nut-Hex
35	104-3146	1	Holder-Front
36	104-3124	2	Washer-Flat
37	104-3147	1	Pin
38	104-3148	2	Clip-Hair Pin
41	104-3149	1	Rod-Height Adj.
42	104-3151	1	Pin-Cotter
43	34-9270	4	Washer-Hose



Electrical Switch Assemblies No.3

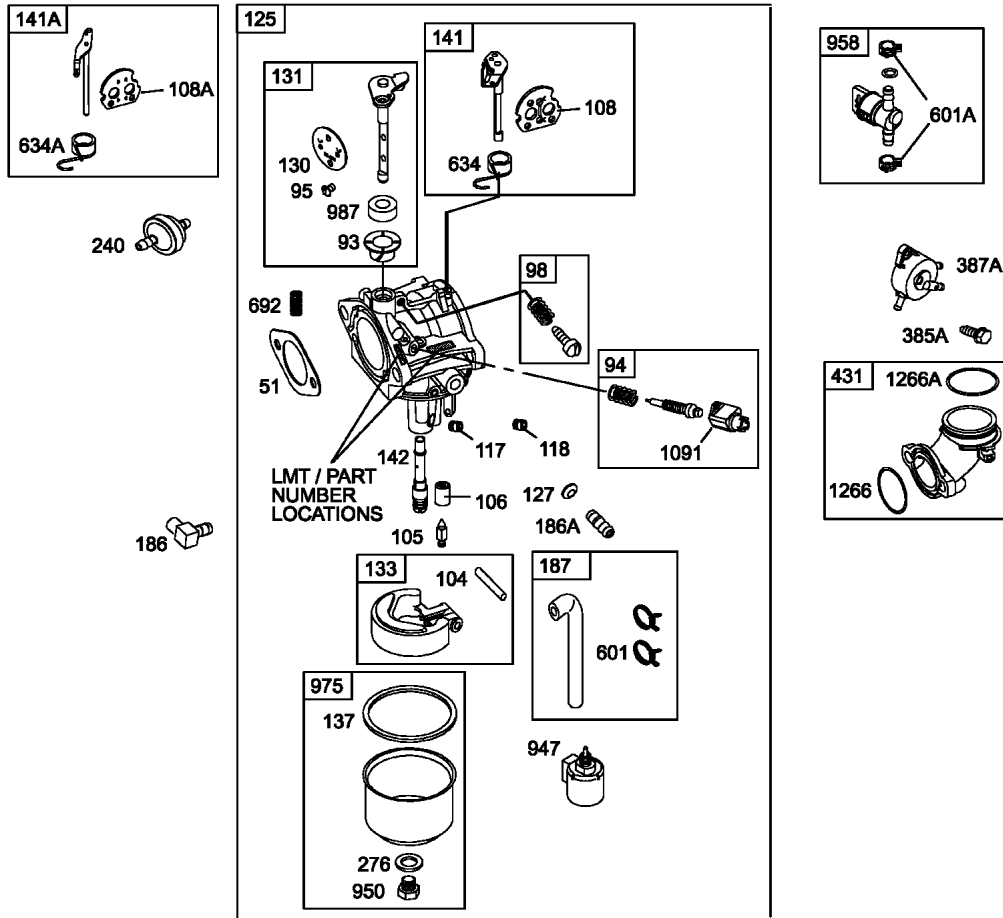
Ref	Part No.	Qty.	Description
1	104-3178	1	Cover-Protective
2	99-3701	1	Module-Clutch
3	60-6910	2	Screw
4	52-6430	2	Washer
5	87-5140	4	Nut-Lock
6	104-3169	1	Circuit-Memory
7	107-8954	1	Holder-Switch
8	104-3190	2	Screw
9	107-8955	1	Holder-Switch
10	104-2980	2	Screw
11	95-1653	1	Switch-Pole, Single
12	104-2983	2	Screw
13	104-2985	2	Nut-Hex
16	104-3330	1	Switch-Delta
17	104-3331	2	Bolt
18	46-0430	2	Nut-Lock
19	52-6430	2	Washer
23	104-3179	1	Switch-Delta



Cylinder Head Assembly Briggs and Stratton 282H79-23502

Ref	Part No.	Qty.	Description
75	698148	1	Head-Cylinder
347	273280	1	Gasket-Cylinder Head
7			
713	690360	1	Screw
733	695760	1	Valve-Exhaust
734	695761	1	Valve-Intake
735	691279	1	Spring-Valve
736	691279	1	Spring-Valve
742	499586	1	Keeper-Valve
745	690564	1	Tappet-Valve
3450	690193	1	Manifold-Intake
7			
751	692137	1	Gasket-Intake
753	690227	1	Stud
754	691148	1	Screw
7192	691986	1	Adjustor-Arm, Rocker
7238	691843	1	Cap-Valve
7337	691043	1	Spark Plug
7383	89838	1	Wrench-Plug, Spark
7523	697086	1	Dipstick
37524	691032	1	Seal-O Ring
7525	697184	1	Tube-Dipstick
35617	692138	1	Seal-O Ring
7			
7635	691909	1	Boot-Spark Plug

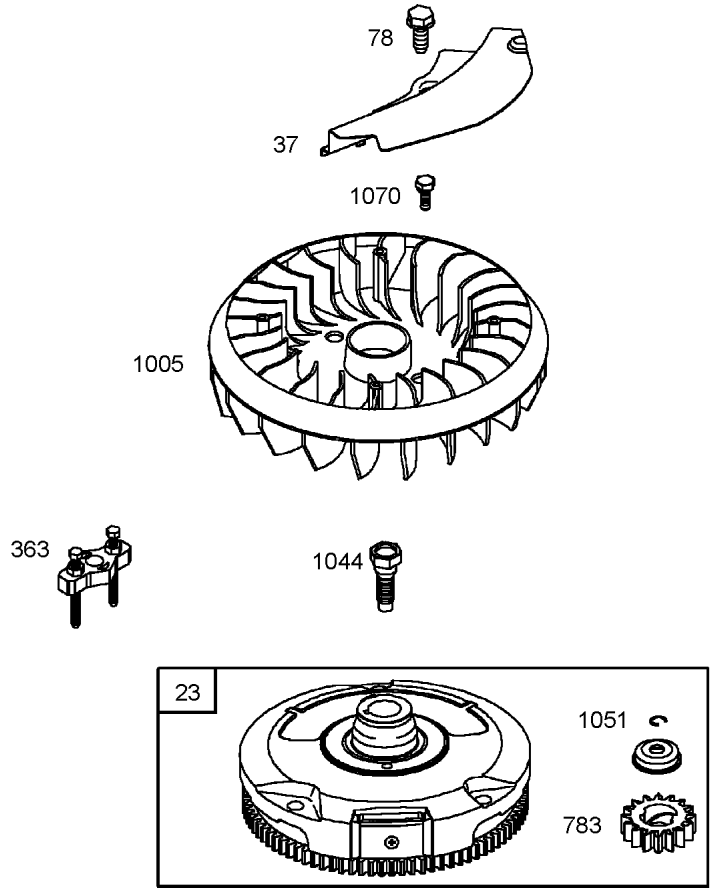
Ref	Part No.	Qty.	Description
7654	690958	1	Nut
7830	691095	1	Stud-Arm, Rocker
37842	691031	1	Seal-O Ring
7847	697611	1	Dipstick And Tube ASM
7868	690968	1	Seal-Valve
7914	691108	1	Screw
371022	272475	1	Gasket-Cover, Rocker
341023	692492	1	Cover-Rocker
7			
71026	692003	1	Rod-Push
71026	692011	1	Rod-Push
71029	691751	1	Arm-Rocker
71034	690822	1	Guide-Rod, Push



Carburetor Assembly Briggs and Stratton 282H79-23502

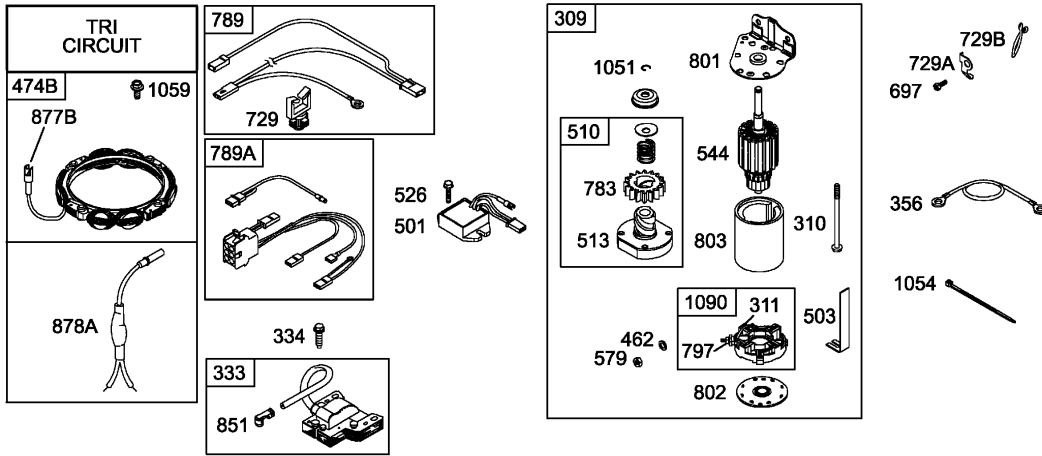
Ref	Part No.	Qty.	Description
5 4 51	692137	1	Gasket-Intake
5 7			
5 7 93	690602	1	Bushing-Shaft, Throttle
5 7 94	498030	1	Idle Mixture Kit
7 95	691636	1	Screw
7 98	495800	1	Idle Speed Kit
5 7 104	690525	1	Pin-Hinge, Carburetor Float
5 7 105	231855	1	Valve-Needle, Float
5 7 106	690577	1	Seat-Inlet
7 108	690464	1	Valve-Choke
7 108A	692344	1	Valve-Choke
5 7 117	694352	1	Jet-Main (STD)
7 118	697228	1	Jet-Main (High Altitude)
5 7 125	698445	1	Carburetor
7 127	695005	1	Plug-Welch
7 130	691750	1	Valve-Throttle
7 131	494379	1	Throttle Shaft Kit
7 133	494381	1	Float-Carburetor
5 6 137	281165	1	Gasket-Bowl, Float
7			
7 141	495097	1	Choke Shaft Kit
7 141A	495931	1	Choke Shaft Kit
5 7 142	697140	1	Nozzle-Carburetor
7 186	692317	1	Connector-Hose

Ref	Part No.	Qty.	Description
7 186A	698174	1	Connector-Hose
7 187	691050	1	Line-Fuel (Cut To Required Length)
7 240	394358	1	Filter-Fuel
5 6 276	692255	1	Washer-Sealing
7			
7 385A	690297	1	Screw (Fuel Pump)
7 387A	808656	1	Pump-Fuel
7 431	697122	1	Elbow-Intake
7 601	95162	1	Clamp-Hose
7 601A	691038	1	Clamp-Hose
5 7 634	690801	1	Spring / Seal ASM
5 7 634A	690802	1	Spring And Seal ASM
7 692	690572	1	Spring-Detent
7 947	694393	1	Solenoid-Fuel
7 950	695407	1	Screw
7 958	698183	1	Valve-Shut Off, Fuel
7 975	495933	1	Bowl-Float
5 7 987	691326	1	Seal-Shaft, Throttle
7 1091	691333	1	Cap-Limiter
5 5 1266	691917	1	Seal-O Ring
7			
5 7 1266A	697123	1	Seal-O Ring



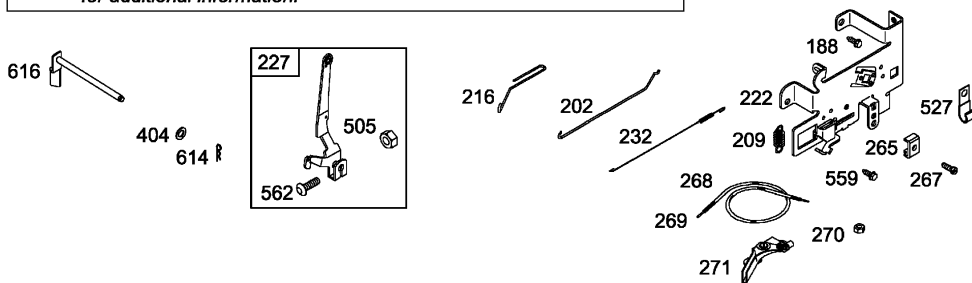
Flywheel Assembly Briggs and Stratton 282H79-23502

Ref	Part No.	Qty.	Description
23	693556	1	Flywheel
37	697352	1	Guard-Flywheel
78	691003	1	Screw
363	19203	1	Puller-Flywheel
783	693713	1	Gear-Pinion
1005	699043	1	Fan-Flywheel
1044	691658	1	Screw-Crankshaft Extension
1051	691265	1	Ring-Retaining
1070	690372	1	Screw



NOTE: All stators use a No. 1119 mounting screw.

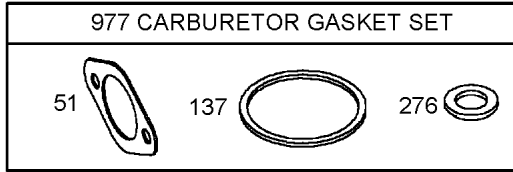
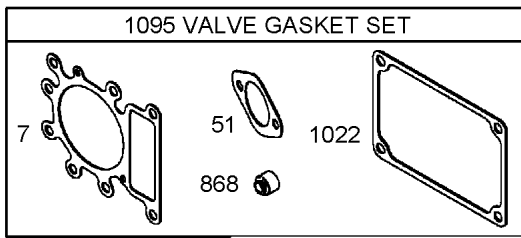
NOTE: The proper flywheel part number and/or the alternator magnet size will determine the alternator type or output. See repair instruction manual for additional information.



Starter and Electrical Assembly Briggs and Stratton 282H79-23502

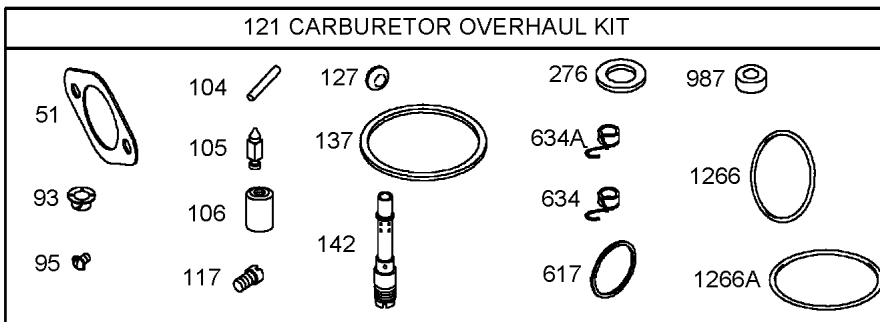
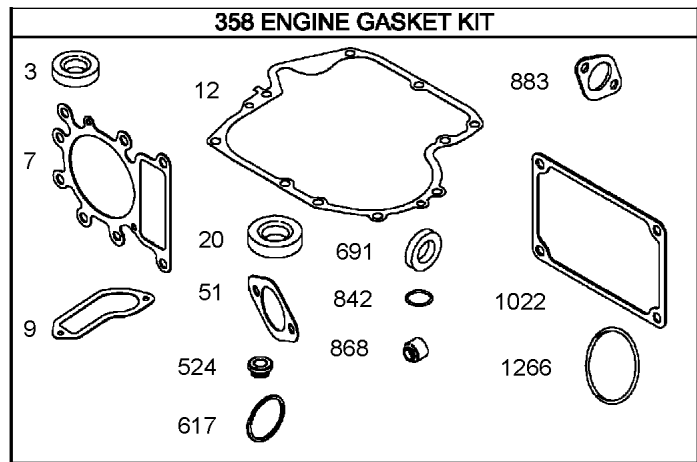
Ref	Part No.	Qty.	Description
7188	691693	1	Screw
7202	691841	1	Link-Governor, Mechanical
7209	691795	1	Spring-Governor
7216	691840	1	Link-Choke
7222	694042	1	Bracket-Control
7227	691374	1	Lever-Control, Governor
7232	691842	1	Spring-Link, Governor
7265	691024	1	Clamp-Casing
7267	690804	1	Screw
7268	691025	1	Casing-Control Wire (Cut To Required Length)
7269	691026	1	Wire-Control (Cut To Required Length)
7270	691027	1	Nut (Control Wire Casing)
7271	691028	1	Lever-Control
7309	693551	1	Motor-Starter
7310	690323	1	Bolt
7311	497608	1	Brush Set
7333	492341	1	Armature-Magneto
7334	691061	1	Screw
7356	697089	1	Stop-Wire
7404	691691	1	Washer
7462	691261	1	Washer
7474B	696457	1	Alternator

Ref	Part No.	Qty.	Description
7501	691188	1	Regulator
7503	691532	1	Strap-Starter
7505	691251	1	Nut
7510	693699	1	Drive-Starter
7513	692024	1	Clutch-Drive
7526	697088	1	Screw
7527	698467	1	Clamp-Tube
7544	692034	1	Armature-Starter
7559	697561	1	Screw (Remote Choke Stop)
7562	691119	1	Screw
7579	691029	1	Nut
7614	691620	1	Pin-Cotter
7616	692012	1	Crank-Governor
7697	690372	1	Screw
7729	691335	1	Clip-Wire
7729A	691224	1	Clip-Wire
7729B	694123	1	Clip-Wire
7783	693713	1	Gear-Pinion
7789	692037	1	Wiring-Harness
7789A	698329	1	Harness-Wiring
7797	693167	1	Nut
7801	691283	1	Cap-Drive
7802	691286	1	Cap-End
7803	693757	1	Housing-Starter



1019 LABEL KIT 1330 REPAIR MANUAL

1058 OWNER'S MANUAL



Gasket Assembly Briggs and Stratton 282H79-23502

Ref	Part No.	Qty.	Description
373	391086	1	Seal-Oil
347	273280	1	Gasket-Head, Cylinder
7			
379	697109	1	Gasket-Breather
3712	697110	1	Gasket-Crankcase
3720	690947	1	Seal-Oil
3451	692137	1	Gasket-Intake
67			
3693	690602	1	Bushing-Shaft, Throttle
7			
795	691636	1	Screw
67104	690525	1	Pin-Hinge, Carburetor Float
67105	231855	1	Valve-Needle, Float
67106	690577	1	Seat-Inlet
67117	694352	1	Jet-Main (STD)
7121	697241	1	Carburetor Overhaul Kit
7127	695005	1	Plug-Welch
67137	281165	1	Gasket-Bowl, Float
67142	697140	1	Nozzle-Carburetor
67276	692255	1	Washer-Sealing
7358	697151	1	Engine Gasket Set
37524	691032	1	Seal-O Ring
36617	692138	1	Seal-O Ring
7			
37634	690801	1	Spring / Seal ASM

Ref	Part No.	Qty.	Description
37634A	690802	1	Spring And Seal ASM
37691	692407	1	Seal-Shaft, Governor
37842	691031	1	Seal-O Ring
34868	690968	1	Seal-Valve
7			
37883	692236	1	Gasket-Exhaust
7977	690192	1	Carburetor Gasket Set
37987	691326	1	Seal-Shaft, Throttle
71019	698814	1	Kit-Label
341022	272475	1	Gasket-Cover, Rocker
7			
71058	275038	1	Owner's Manual
71095	691581	1	Valve Gasket Set
371266	691917	1	Seal-O Ring
371266A	697123	1	Seal-O Ring
71330	272147	1	Repair Manual

NOTES

