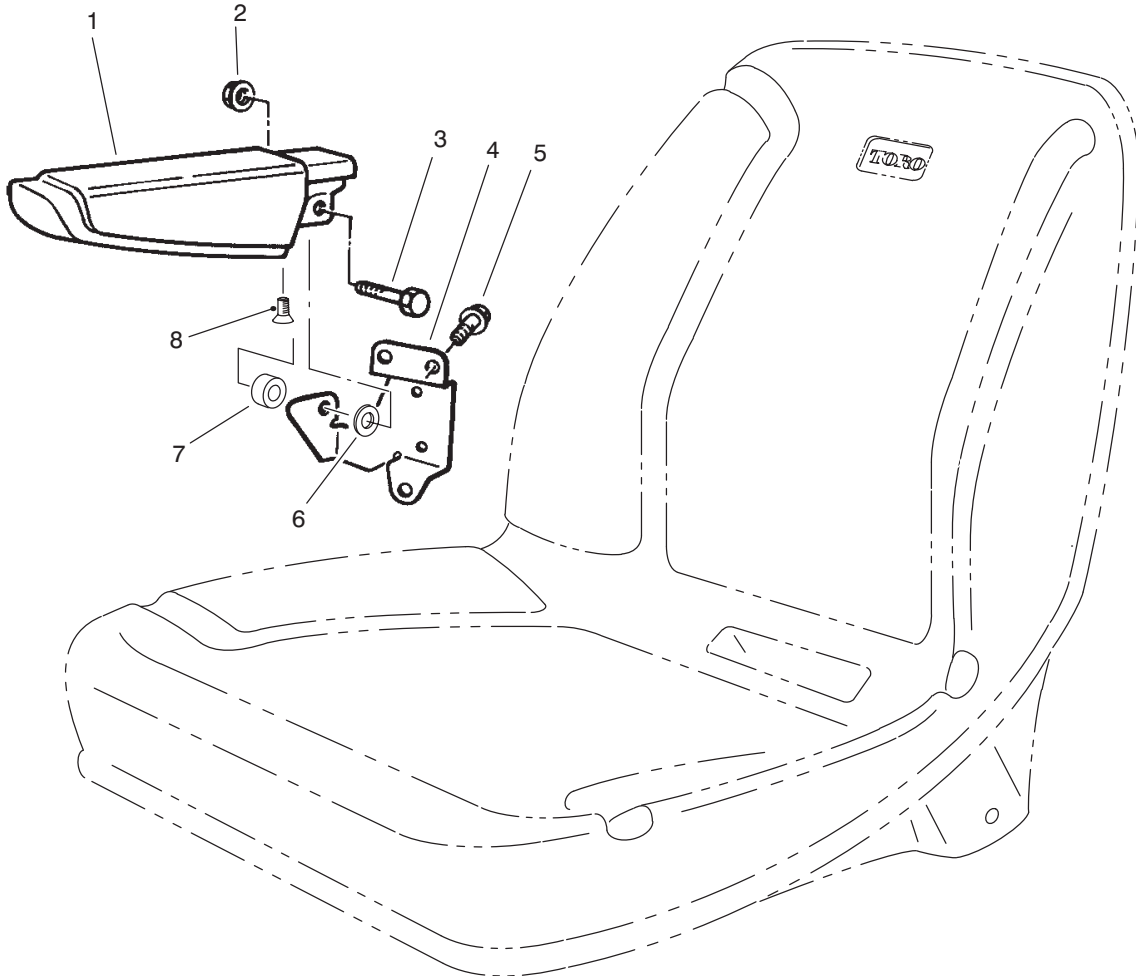




MODEL NO. 30707	PARTS CATALOG
ARMREST KIT	



T-0634

ARMREST ASSEMBLY

Ref. No.	Part No.	Description	No. Used
1	69-1180	Armrest	2
2	32128-19	Nut - Lock, Flange	2
3	323-9	Screw - Cap Hex. Hd.	2
4	69-0770	Bracket - RH Armrest	1
*	69-0760	Bracket - LH Armrest	1

Ref. No.	Part No.	Description	No. Used
5	3234-14	Screw - Cap Hex. Flange	6
6	3256-24	Washer - Flat	2
7	92-7301	Spacer	2
8	92-7318	Screw - Flat Hd.	2

*Not Illustrated