



170-DH Lawn Tractor

Model No. 74570 - 240000001 and up.

Parts Catalog

Ordering Replacement Parts

To order replacement parts, please supply the part number, the quantity, and the description of each part desired.

Understanding Reference Numbers

Each identified part in an illustration has a reference number. The reference number for a part also appears in the parts list, along with other information about the part.

This catalog uses two special reference number formats, one to indicate parts in a service assembly and another to indicate the quantity of a given part in an illustration.

Service Assembly Reference Numbers

Parts in service assemblies have reference numbers in the form a:b. The a represents the reference number of the entire service assembly and the b represents a sequential number unique to each part within the service assembly.

For example, a wheel assembly might be identified by reference number 6, the tire by 6:1, the valve by 6:2, and the wheel by 6:3. When you order the assembly identified by reference number 6, you receive all parts identified by reference numbers 6:1, 6:2, and 6:3. However, you may also order any part individually. Reference numbers of this type appear in illustrations and in part lists.

Reference Numbers Indicating Quantity

In an illustration, if a reference number indicates more than one part, the reference number has the form nX y. The n represents the quantity of the part, the X is the multiplication symbol, and the y represents the reference number.

For example, in an illustration, the reference number 2X 37 means that two of the parts identified by reference number 37 are indicated.

Contents

Description	Page	Description	Page
Frame and Seat Assembly 4	Grass Collector Assembly 25
Front Axle Assembly 6	Collector Assembly 26
Steering Assembly 7	Cutting Pan, Mower Housing Assembly 27
Body and Hood Assembly 8	Cutting Pan, Bag on Demand Assembly 28
Engine Assembly 9	Cutting Pan and Drive System Assembly 29
Operation - Brake and Bypass Assembly 10	Mower Lift Assembly 30
Operation Travel Pedal Assembly 11	Electrical Assembly 31
Transmission and Drive Assembly 12	Electrical Switch Assembly No. 1 32
Control Shaft Assembly Transmission Assembly No. 104-2889 14	Electrical Switch Assembly No. 2 33
Motor Shaft Assembly Transmission Assembly No. 104-2889 15	Electrical Switch Assembly No. 3 34
Transaxle Case Assembly Transmission Assembly No. 104-2889 16	Cylinder Assembly Briggs and Stratton 311777-0151-E1 35
Differential Gear Assembly Transmission Assembly No. 104-2889 17	Cylinder Head Assembly Briggs and Stratton 311777-0151-E1 36
Final Pinion Assembly Transmission Assembly No. 104-2889 18	Crankcase Assembly Briggs and Stratton 311777-0151-E1 37
Axle Shaft Assembly Transmission Assembly No. 104-2889 19	Carburetor Assembly Briggs and Stratton 311777-0151-E1 38
Brake Assembly Transmission Assembly No. 104-2889 20	Governor Assembly Briggs and Stratton 311777-0151-E1 39
Fan Pulley Assembly Transmission Assembly No. 104-2889 21	Oil Filter, Tube, and Pump Assembly Briggs and Stratton 311777-0151-E1 40
Range Shift Assembly Transmission Assembly No. 104-2889 22	Air Cleaner Assembly Briggs and Stratton 311777-0151-E1 41
Center Case Assembly Transmission Assembly No. 104-2889 23	Blower Housing Assembly Briggs and Stratton 311777-0151-E1 42
Pump Shaft Assembly Transmission Assembly No. 104-2889 24	Starter Assembly Briggs and Stratton 311777- 0151-E1 43
		Carburetor Overhaul Kit Assembly Briggs and Stratton 311777-0151-E1 44

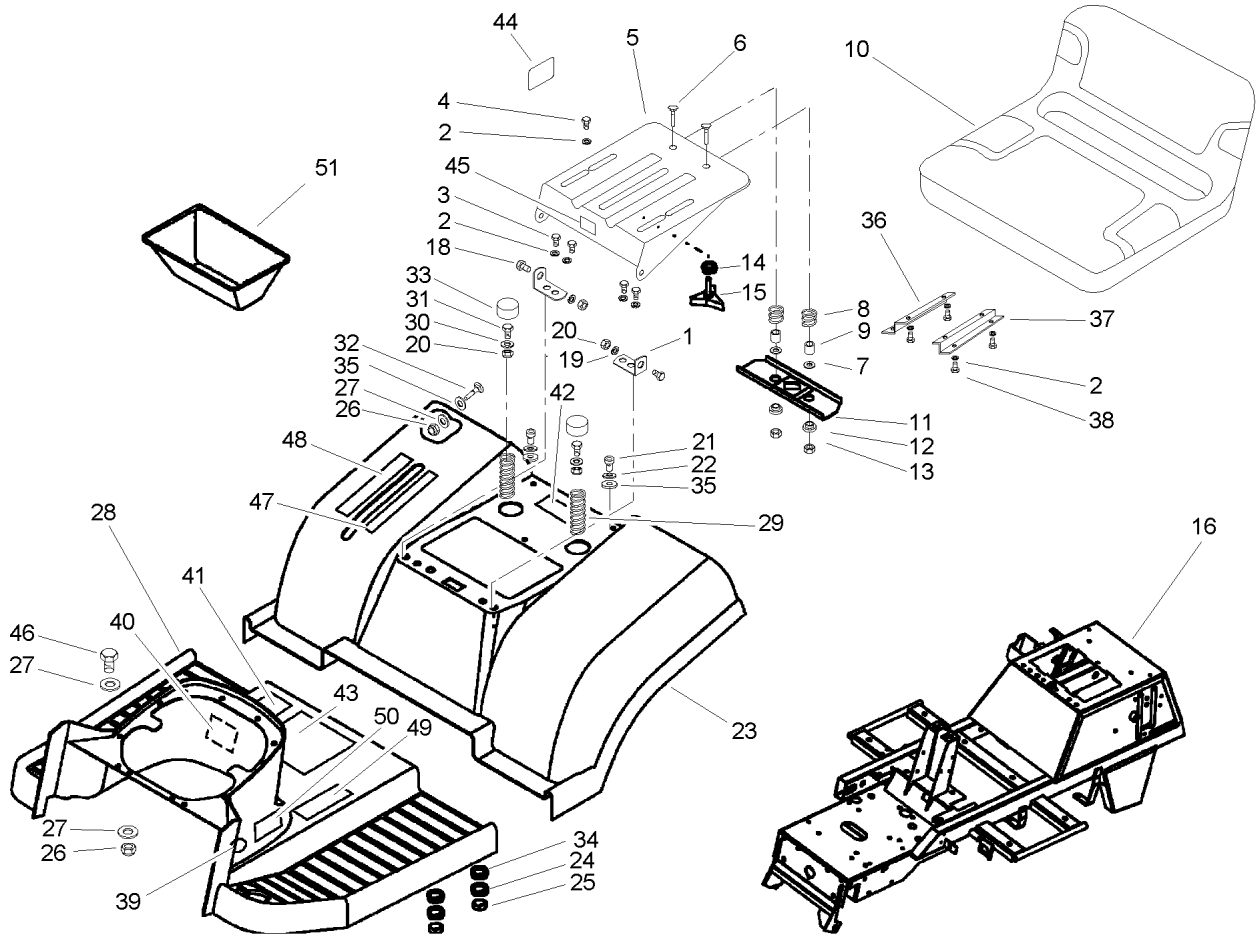
Part Description Abbreviations

Part descriptions in this catalog may include the following abbreviations.

AR.	as required	HYD.	hydraulic
ASM.	assembly	LH.	left hand
BBC.	blade brake clutch	NI.	nylon insert
CARR.	carriage	NPTF.	national pipe thread fine
DEG.	degrees	PFH.	phillips flat head
EXT.	external	PPH.	phillips pan head
FH.	flat head	PPHTF.	phillips pan head thread forming
GA.	gauge	PRH.	phillips round head
HD.	heavy-duty	PTH.	phillips truss head
HF.	hex flange	PTO.	power-take-off
HH.	hex head	RH.	right hand
HHF.	hex head flange	ROPS.	roll-over protection system
HHFTF.	hex head flange thread forming	SFH.	slotted fillister head
HJ.	hex jam	SHH.	slotted hex head
HLH.	hex lag head	SHWH.	slotted hex washer head
HOC.	height-of-cut	SPH.	slotted pan head
HSBH.	hex socket button head	SQH.	square head
HSFH.	hex socket flat head	SRH.	slotted round head
HSH.	hex socket head	STD.	standard
HWH.	hex washer head	TAP.	self tapping
HWHTF.	hex washer head thread forming	TTH.	torx truss head

Footnotes

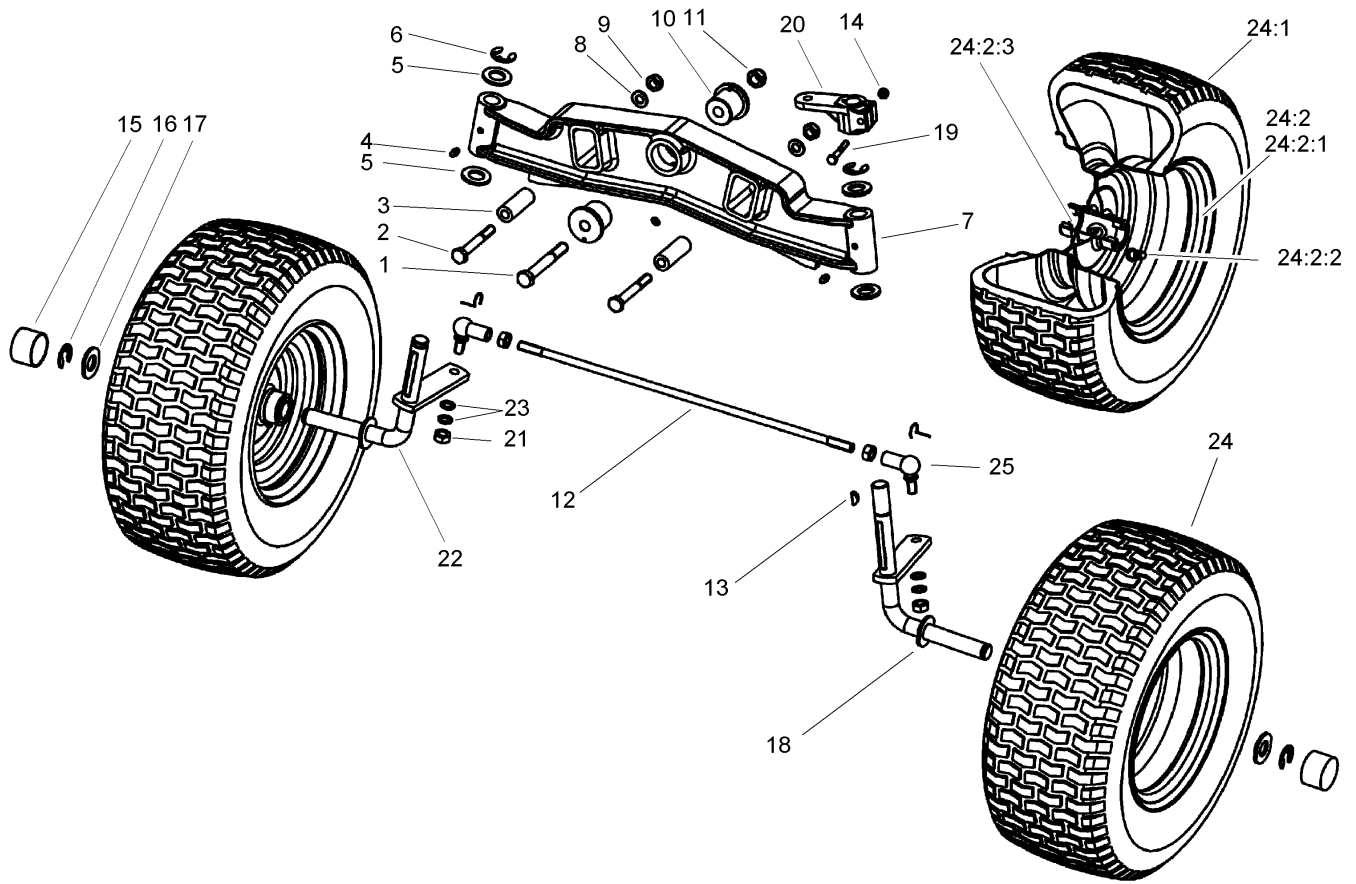
- | | | | |
|---|---|---|---|
| ❶ | Not illustrated | ❷ | Not serviced separately |
| ❸ | Included in Gasket Set-Ref. 358. | ❹ | Included in Carburetor Kit-Ref. 121 |
| ❺ | Included in Valve Overhaul Kit-Ref. 1033. | ❻ | Included in Carburetor Gasket Set-Ref. 977. |
| ❻ | Obtain from your local Briggs & Stratton dealer | | |



Frame and Seat Assembly

Ref	Part No.	Qty.	Description
1	104-2926	2	Bracket-Support, Seat
2	42-9850	10	Washer-Lock, Spring
3	33114-025	10	Screw-HH
4	322-3	2	Screw-HH
5	104-2929	1	Support-Seat
6	104-2930	2	Bolt-Carriage
7	104-2931	2	Washer-Flat
8	104-2932	2	Spring-Seat
9	104-2933	2	Spacer-Split
10	107-2214	1	Seat ASM
11	104-2934	1	Bracket
12	104-2935	2	Bushing
13	33023-00	2	Nut-Lock
14	104-2936	2	Washer-Spring
15	104-2937	2	Knob-Adj.
16	107-8948	1	Chassis-Frame
18	104-2939	2	Screw-Support, Seat
19	33094-00	6	Washer-Plain
20	33024-00	8	Nut-Lock
21	104-2940	2	Screw-HSFH
22	104-2941	2	Washer-Finish
23	106-5752	1	Fender
24	33095-00	4	Washer-Flat
25	33025-00	4	Nut-Lock

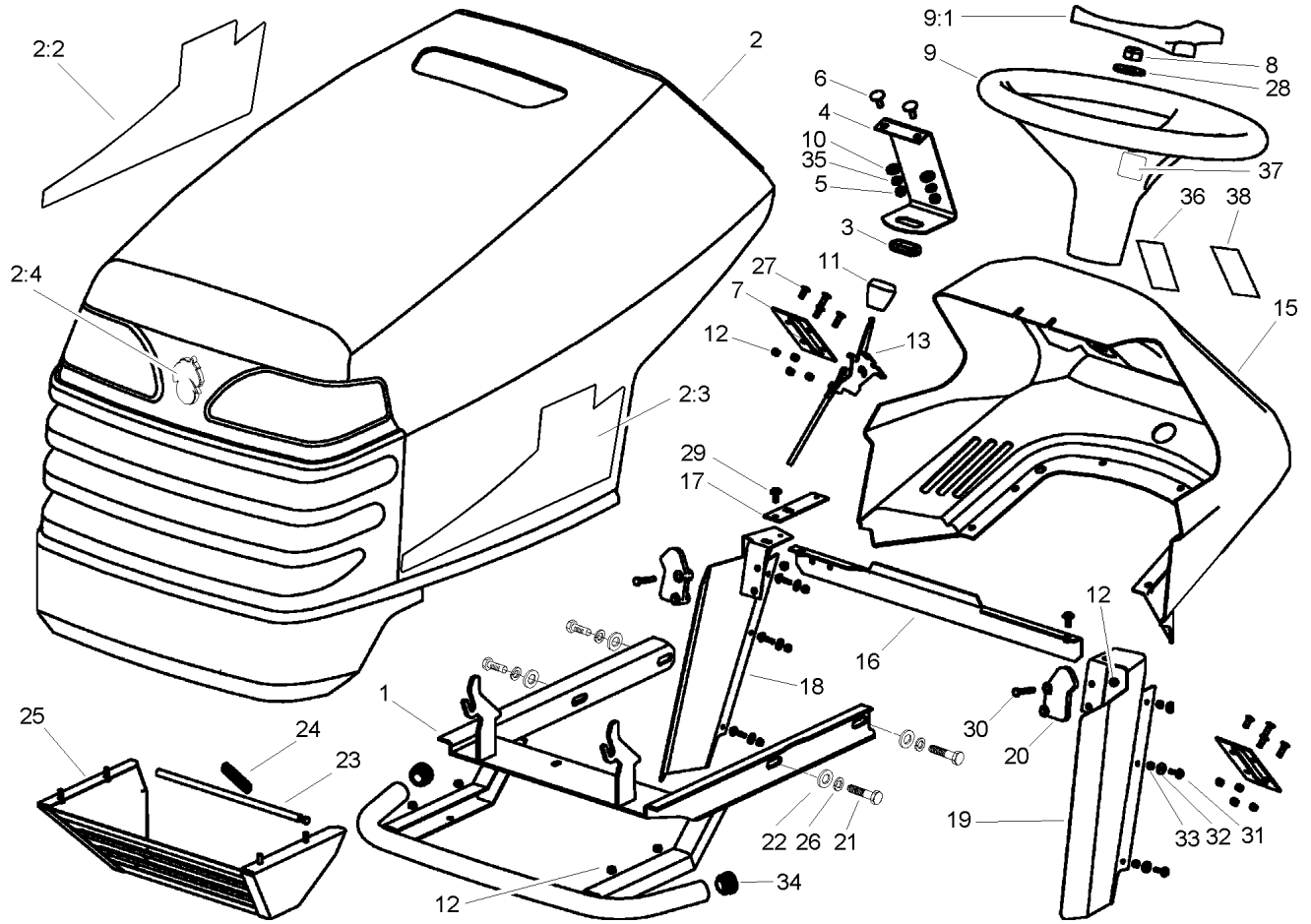
Ref	Part No.	Qty.	Description
26	87-5140	6	Nut-Lock
27	104-2943	6	Washer-Flat
28	104-2944	1	Footrest ASM
29	104-2945	2	Spring-Seat
30	104-2946	6	Washer-Plain
31	33114-020	2	Screw-HH
32	104-2948	6	Bolt-Carriage
33	104-2857	2	Cap-Hub
34	104-2951	2	Washer-Rubber
35	104-2952	2	Washer-Rubber
36	107-8915	1	Bracket-Seat, RH
37	107-8916	1	Bracket-Seat, LH
38	104-3195	4	Screw
39	104-3237	1	Decal-Brake, Parking
40	104-3238	1	Decal-Starting
41	104-3241	1	Decal-Operation, Hydro
42	104-3242	1	Decal-Bag To Frame
43	104-2903	1	Decal-Instruction
44	99-5340	1	Decal-Switch
45	93-7276	1	Decal-Danger
46	60-6910	6	Screw
47	104-3239	1	Decal-HOC, LH
48	104-3240	1	Decal-HOC, RH
49	106-8552	1	Decal-Operation



Front Axle Assembly

Ref	Part No.	Qty.	Description
1	33116-090	1	Screw-HH
2	33115-080	2	Screw-HH
3	104-2851	2	Spacer
4	104-2904	3	Fitting-Grease
5	104-2905	4	Washer-Flat
6	104-2891	2	Clip-Spring
7	104-2852	1	Axle-Front
8	104-2906	2	Washer-Flat
9	33025-00	2	Nut-Lock
10	104-2890	2	Bushing-Axle, Front
11	104-2907	1	Nut-Self Locking
12	104-2855	1	Rod-Tie, Front Axle
13	104-2856	1	Key-Woodruff
14	33023-00	1	Nut-Lock
15	104-2857	2	Cap-Hub
16	104-2891	2	Clip-Spring
17	104-3206	2	Washer
18	104-2861	1	Spindle-LH
19	33113-045	1	Screw-HH
20	104-2862	1	Lever-Spindle, Steering
21	33015-00	2	Nut-Hex
22	104-2867	1	Spindle-RH
23	106-5757	4	Washer
24	107-8930	2	Tire And Wheel ASM

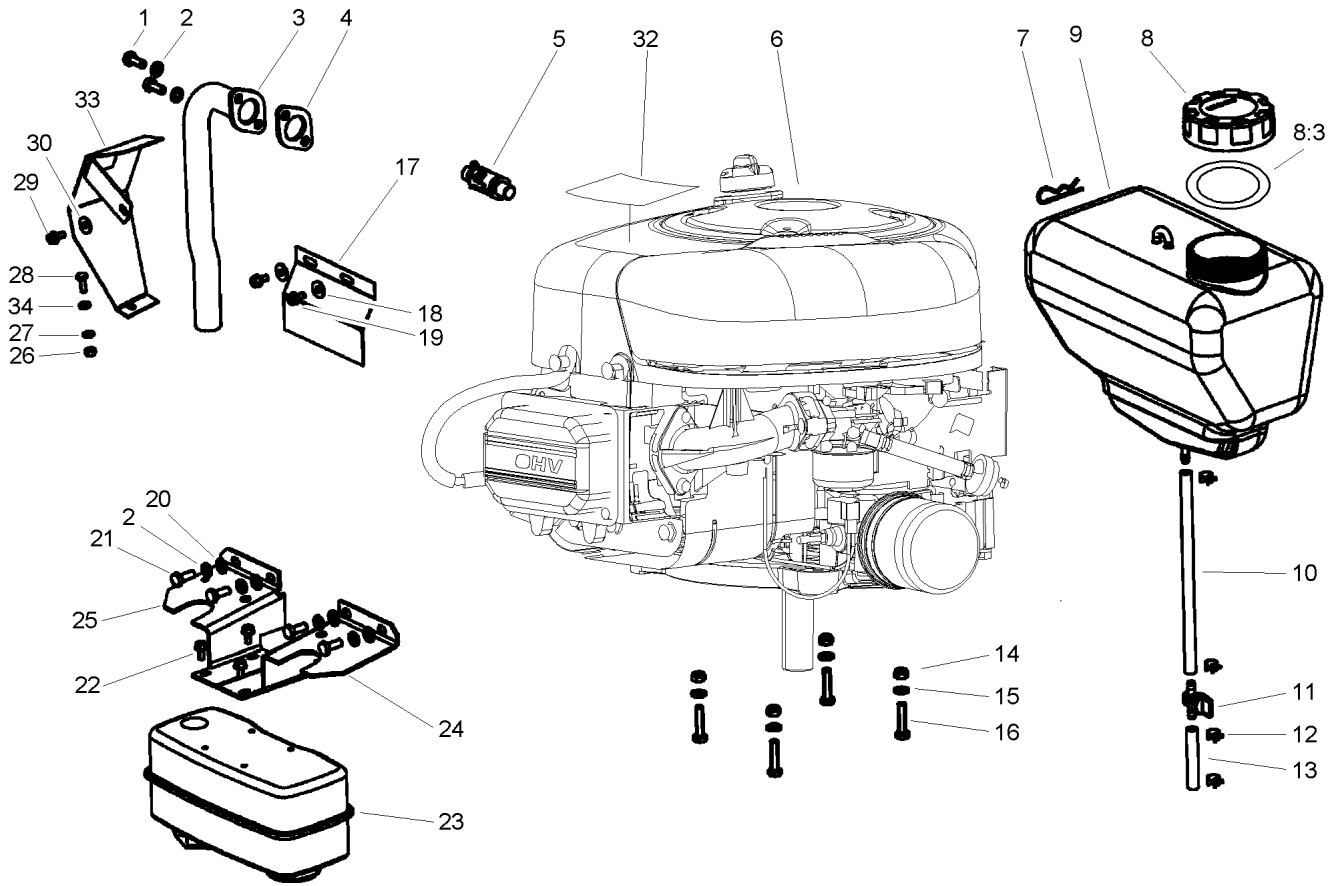
Ref	Part No.	Qty.	Description
24:1	99-3696	1	Tire
24:2	107-8931	1	Wheel ASM
24:2:1		1	Rim
24:2:2	106-8596	1	Valve-Tire
24:2:3	107-8960	2	Bearing-Wheel
25	104-2876	2	Joint-Ball, Angle
99	112819	1	Tube-Inner



Body and Hood Assembly

Ref	Part No.	Qty.	Description
1	107-2216	1	Support-Bumper
2	107-8952	1	Hood
2:2	107-8913	1	Decal-Hood, RH
2:3	107-8902	1	Decal-Hood, LH
2:4	95-4248	1	Decal
3	104-2959	1	Bushing
4	104-2960	1	Holder-Tank, Fuel
5	33023-00	2	Nut-Lock
6	104-2961	2	Screw
7	104-2962	1	Brace
8	33026-00	1	Nut-Lock
9	98-1471	1	Wheel-Steering
9:1	98-1468	1	Cover-Wheel, Steering
10	33094-00	2	Washer-Plain
11	66-0120	1	Knob
12	87-5140	14	Nut-Lock
13	106-4166	1	Cable-Throttle And Choke
15	104-2968	1	Panel-Dash
16	104-2970	1	Brace
17	104-2971	1	Bracket
18	104-2972	1	Panel-Right
19	104-2973	1	Panel-Left
20	92-6960	2	Latch-Hood
21	33114-020	4	Screw-HH

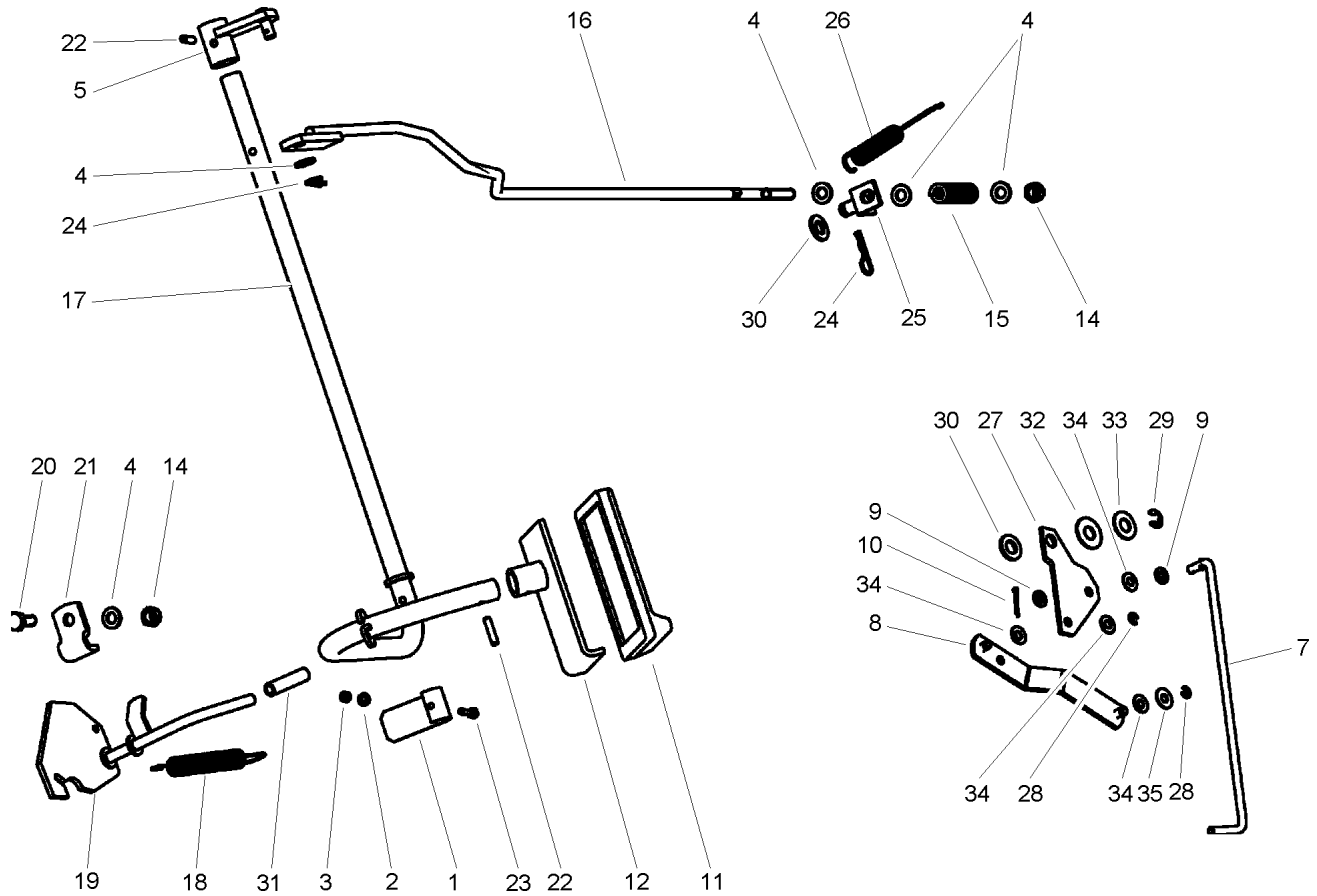
Ref	Part No.	Qty.	Description
22	104-2946	4	Washer-Plain
23	104-2974	1	Bar-Safety
24	104-2975	1	Spring-Hood
25	107-2218	1	Guard-Muffler
26	42-9850	4	Washer-Lock, Spring
27	106-5759	4	Screw
28	106-5758	1	Washer
29	104-2980	2	Screw
30	104-2981	4	Screw
31	107-8918	6	Screw
32	104-3175	6	Washer
33	104-2985	6	Nut-Hex
34	107-8943	2	End Cap-Tube
35	43-5930	2	Washer-Spring
36	104-3236	1	Decal-Choke/Throttle/Key
37	98-1459	1	Decal
38	104-3235	1	Decal-PTO



Engine Assembly

Ref	Part No.	Qty.	Description
1	322-3	2	Screw-HH
2	42-9850	6	Washer-Lock, Spring
3	104-3221	1	Tube-Exhaust
4	88-4410	1	Gasket-Muffler
5	104-3208	1	Valve-Oil Drain
6		1	Engine-Briggs And Startton, 311777-0151-E1
7	104-3144	1	Pin-Hair
8	88-3980	1	Gas Cap ASM
8:3	88-4010	1	Gasket-Cap, Gas
9	104-3057	1	Tank-Fuel
10	104-3211	1	Line-Fuel
11	104-3224	1	Valve-Tank, Fuel
12	104-3212	4	Clamp-Line, Fuel
13	104-3213	1	Line-Fuel
14	33024-00	4	Nut-Lock
15	33094-00	4	Washer-Plain
16	33114-035	4	Screw-HH
17	104-3222	1	Cover-Front
18	104-2931	2	Washer-Flat
19	106-5763	2	Screw
20	33094-00	4	Washer-Plain
21	33114-020	4	Screw-HH
22	106-5763	4	Screw

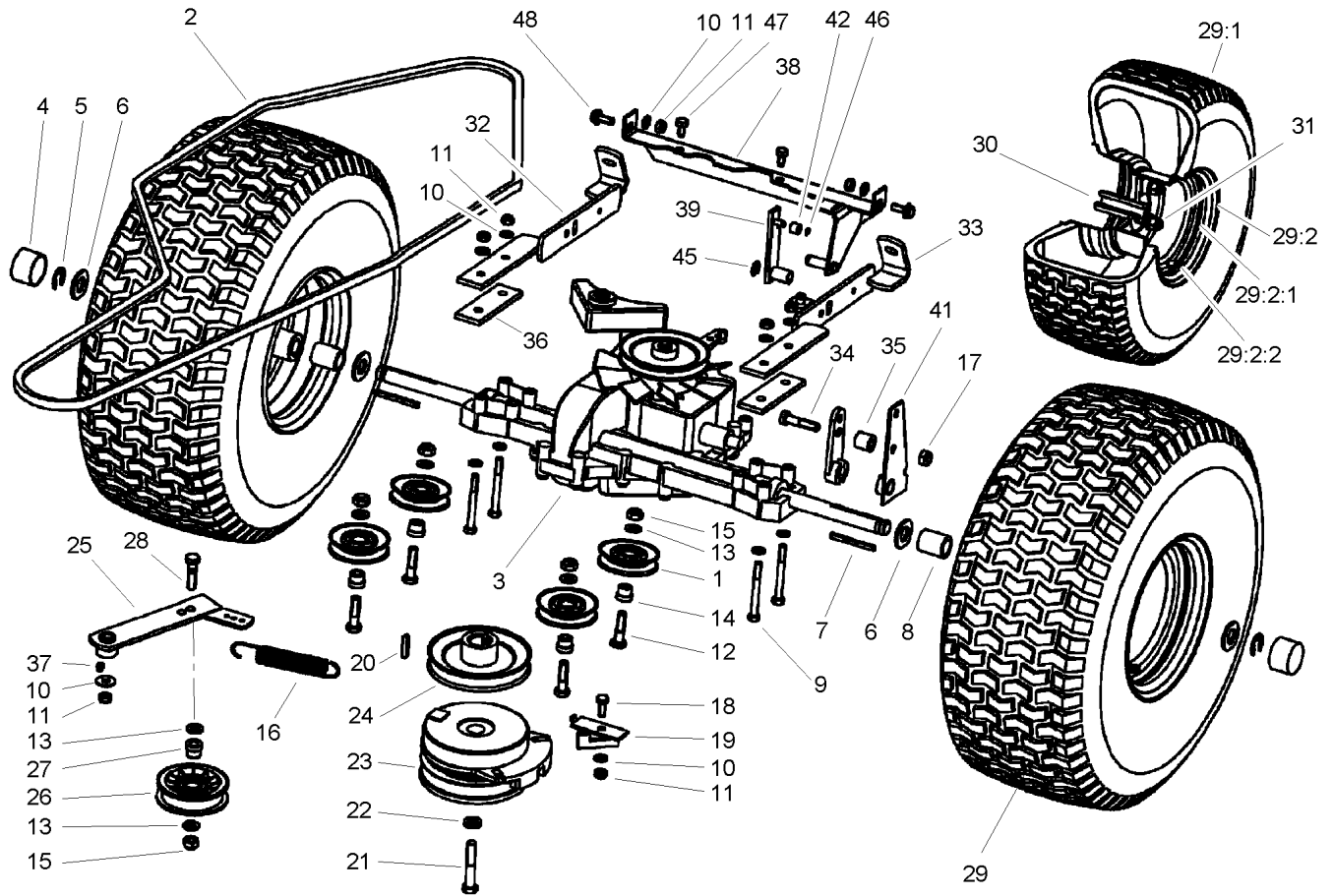
Ref	Part No.	Qty.	Description
23	104-3229	1	Muffler
24	104-3214	1	Guard-Muffler, LH
25	104-3215	1	Guard-Muffler, RH
26	33013-00	1	Nut-Hex
27	104-3186	1	Washer-Spring
28	33113-016	1	Screw-HH
29	106-5763	1	Screw
30	104-2931	1	Washer-Flat
32	106-8555	1	Decal-Engine
33	105-1242	1	Cover-Manifold, Exhaust
34	33093-00	1	Washer-Flat



Operation - Brake and Bypass Assembly

Ref	Part No.	Qty.	Description
1	104-2992	1	Lever-Spring
2	104-2984	1	Washer
3	104-2985	1	Nut-Hex
4	33094-00	5	Washer-Plain
5	104-2993	1	Bracket-Rod, Brake
7	104-2995	1	Rod-Lever, Bypass
8	104-3324	1	Lever-Bypass
9	104-3193	2	Washer
10	104-2997	1	Pin-Cotter
11	104-2998	1	Pad-Pedal
12	104-2999	1	Pedal
14	33024-00	2	Nut-Lock
15	104-3002	1	Spring-Brake
16	104-3003	1	Rod-Connecting, Brake
17	104-3004	1	Shaft-Brake
18	104-3005	1	Spring-Brake, Hand
19	104-3006	1	Lever-Brake, Hand
20	33114-020	1	Screw-HH
21	104-3007	1	Clamp-Lever, Parking Brake
22	104-3008	2	Pin-Spring
23	104-3009	1	Screw-Hex
24	104-3016	2	Pin-Cotter
25	104-3011	1	Bracket-Rod, Brake
26	104-3012	1	Spring

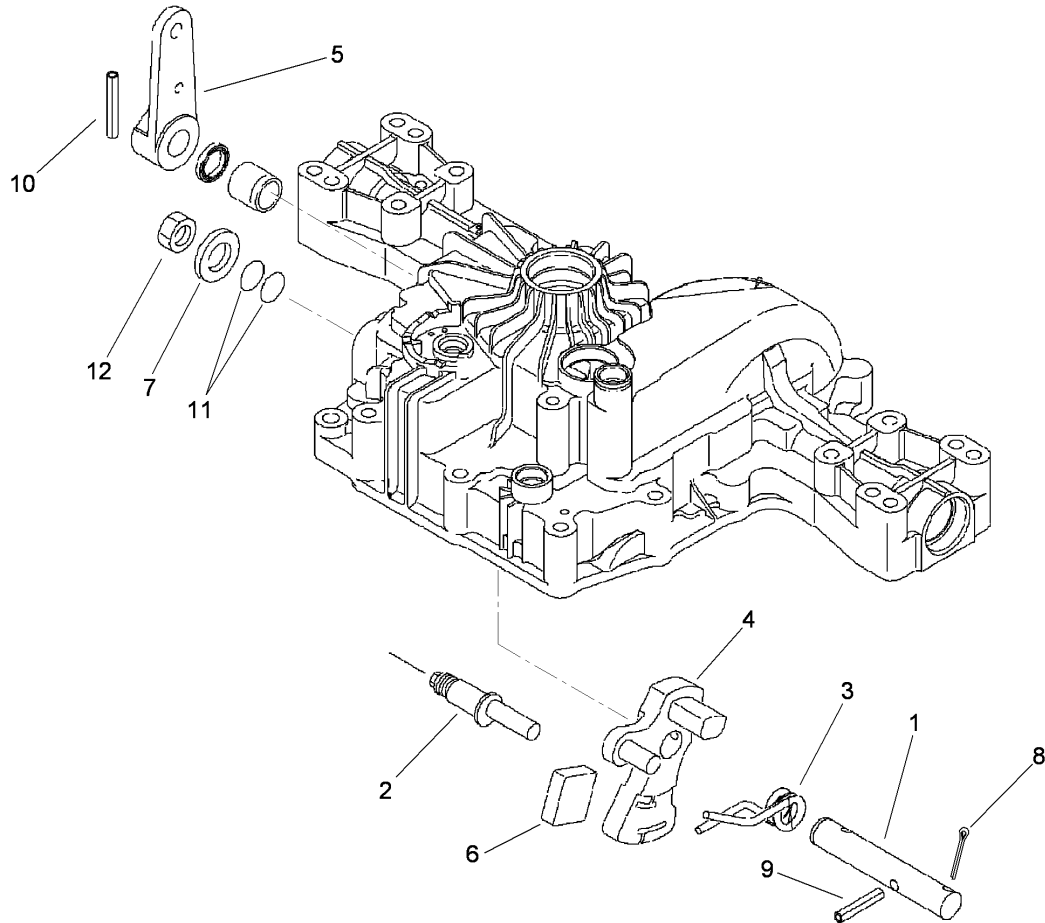
Ref	Part No.	Qty.	Description
27	104-3323	1	Plate-Bypass
28	104-3014	2	Stirrup
29	104-3015	1	Stirrup
30	33095-00	2	Washer-Flat
31	104-3247	1	Cap
32	106-5768	1	Washer
33	106-5769	1	Washer
34	106-5770	4	Washer
35	106-5771	1	Washer



Transmission and Drive Assembly

Ref	Part No.	Qty.	Description
1	104-2887	4	Pully-Idler
2	104-2888	1	V-Belt-Traction
3	104-2889	1	Transmission
4	104-2857	2	Cap-Hub
5	104-2891	2	Clip-Spring
6	104-3206	4	Washer
7	104-2892	2	Key-Square
8	104-2895	2	Spacer-Axle
9	33114-080	4	Screw-HH
10	33094-00	10	Washer-Plain
11	33024-00	6	Nut-Lock
12	33115-040	4	Screw-HH
13	33095-00	6	Washer-Flat
14	104-2896	4	Bushing-Idler
15	33025-00	5	Nut-Lock
16	104-2897	1	Spring
17	33025-00	1	Nut-Lock
18	33114-020	1	Screw-HH
19	104-2898	1	Retainer
20	104-2899	1	Key-Square
21	3212-10	1	Screw-HH
22	93-9043	1	Washer-Spring, Belleville
23	104-3334	1	Clutch-Electric
24	104-2911	1	Pulley-Engine

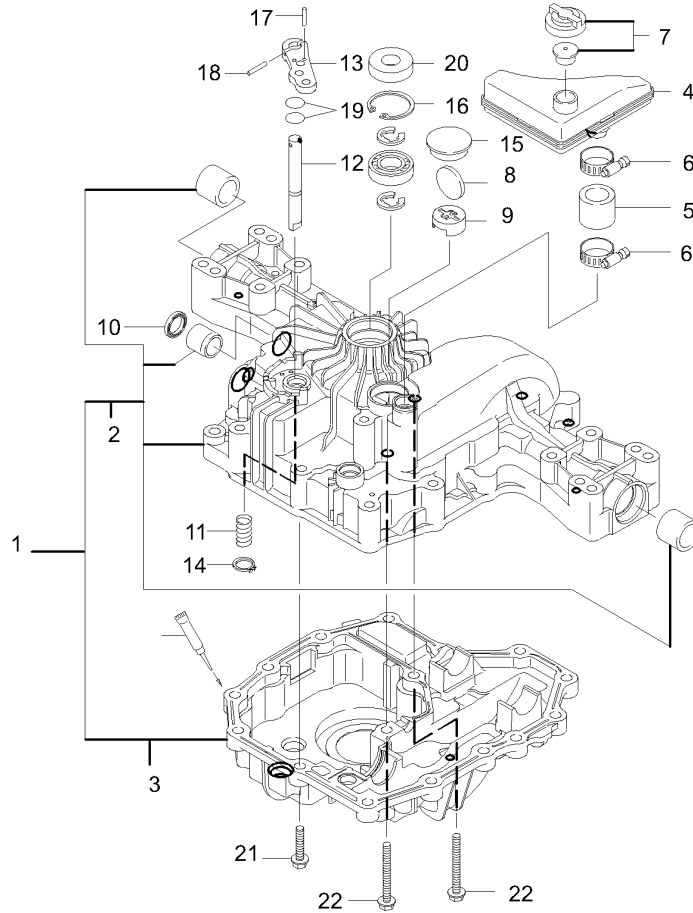
Ref	Part No.	Qty.	Description
25	104-2912	1	Arm-Idler
26	104-2913	1	Pulley-Idler
27	104-2896	1	Bushing-Idler
28	33115-040	1	Screw-HH
29	107-8929	2	Tire And Wheel ASM
29:1	99-2994	1	Tire
29:2	107-8932	1	Wheel ASM
29:2:1		1	Rim
29:2:2	106-8596	1	Valve-Tire
30	104-2921	2	Hub-Wheel
31	104-2922	8	Nut-Wheel
32	106-8594	1	Bracket-Right
33	106-8593	1	Bracket-Left
34	33115-045	1	Screw-HH
35	104-2925	1	Sleeve
36	104-3343	2	Plate-Reinforcing
37	104-2904	1	Fitting-Grease
38	104-3327	1	Bar ASM
39	104-3328	1	Arm-Switch
41	104-3326	1	Tenon
42	104-3329	1	Roller
45	104-3341	1	Stirrup
46	104-3014	1	Stirrup
47	104-3344	2	Screw-Thread Forming



Control Shaft Assembly Transmission Assembly No. 104-2889

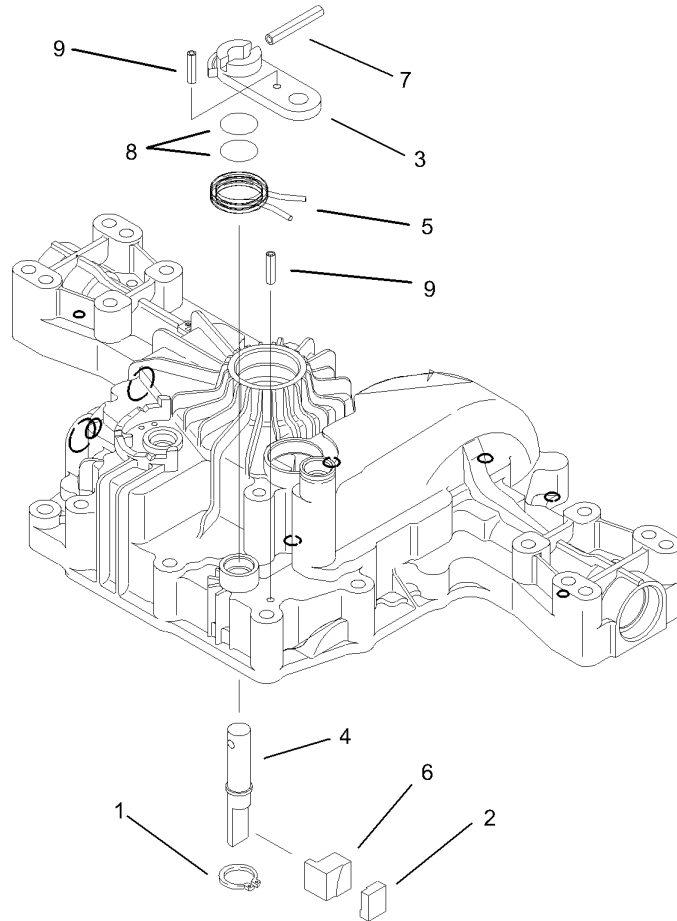
Ref	Part No.	Qty.	Description
1	114-3181	1	Shaft-Control
2	104-3292	1	Fulcrum-Eccentricity
3	104-3293	1	Spring-Torsion
4	114-3180	1	Arm-Control
5	104-3342	1	Arm-Transaxle
6	104-3296	1	Plate-Jerky
7	93-0417	1	Washer
8	114-3182	1	Pin-Cotter
9	104-3297	1	Pin
10	93-0411	1	Pin-Roll
11	104-3298	2	Packing
12	93-0420	1	Nut

--	--	--	--



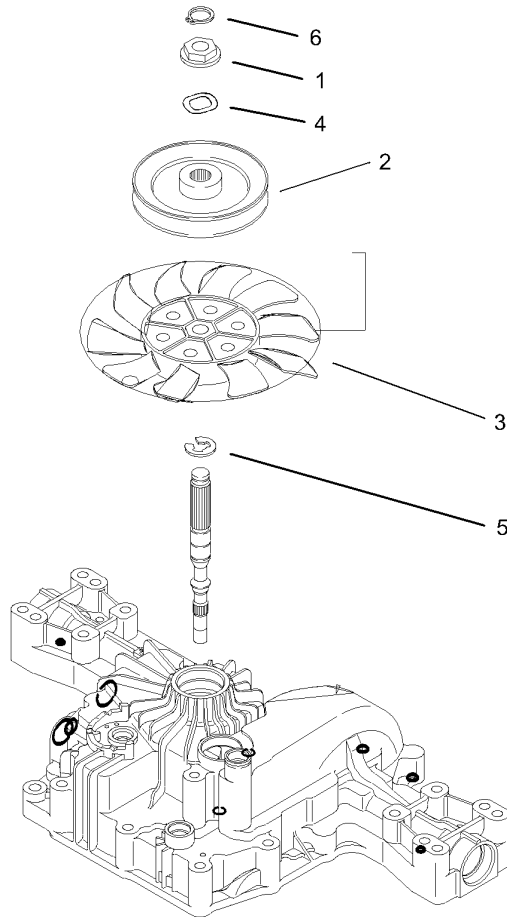
Transaxle Case Assembly Transmission Assembly No. 104-2889

Ref	Part No.	Qty.	Description				
1	104-3251	1	Transaxle Case Set				
2	104-3252	1	Housing-Upper				
3	104-3253	1	Housing-Lower				
4	104-2914	1	Tank-Reservoir, With Cap				
5	104-3254	1	Tube				
6	104-3255	2	Clamp-Miniature				
7	104-3256	1	Valve-Vent, 15				
8	104-3257	1	Magnet				
9	104-3258	1	Holder-Magnet				
10	104-3259	1	Seal-Oil				
11	93-0396	1	Spring				
12	104-3260	1	Shaft-Bypass				
13	104-3261	1	Lever-Bypass				
14	104-3262	1	Ring				
15	104-3263	1	Plug-Bore				
16	93-0360	1	Ring				
17	104-3264	1	Pin				
18	104-3265	1	Pin				
19	93-0419	2	Packing				
20	93-0361	1	Seal				
21	93-0363	14	Screw-TAP				
22	104-3266	2	Screw-TAP				



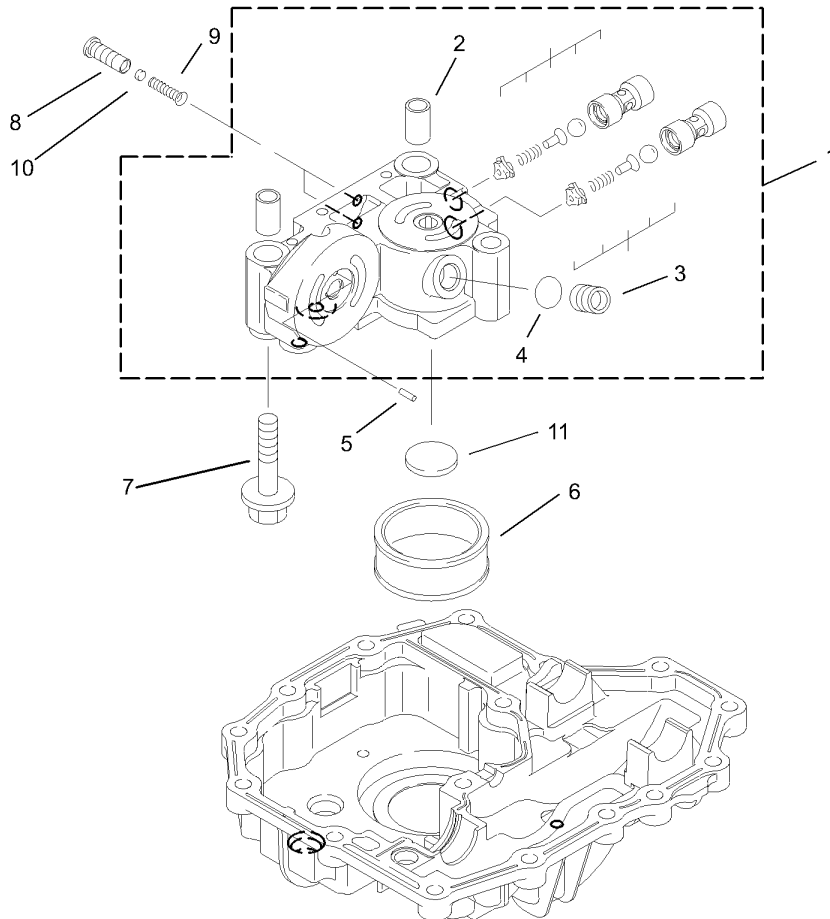
Brake Assembly Transmission Assembly No. 104-2889

Ref	Part No.	Qty.	Description				
1	104-3313	1	Ring				
2	104-3314	1	Shoe-Brake				
3	104-3315	1	Arm-Brake				
4	104-3316	1	Shaft-Brake				
5	104-3317	1	Spring-Return, Brake				
6	104-3318	1	Actuator-Brake				
7	92-0767	1	Pin				
8	92-0786	2	O-Ring				
9	104-3319	2	Pin				



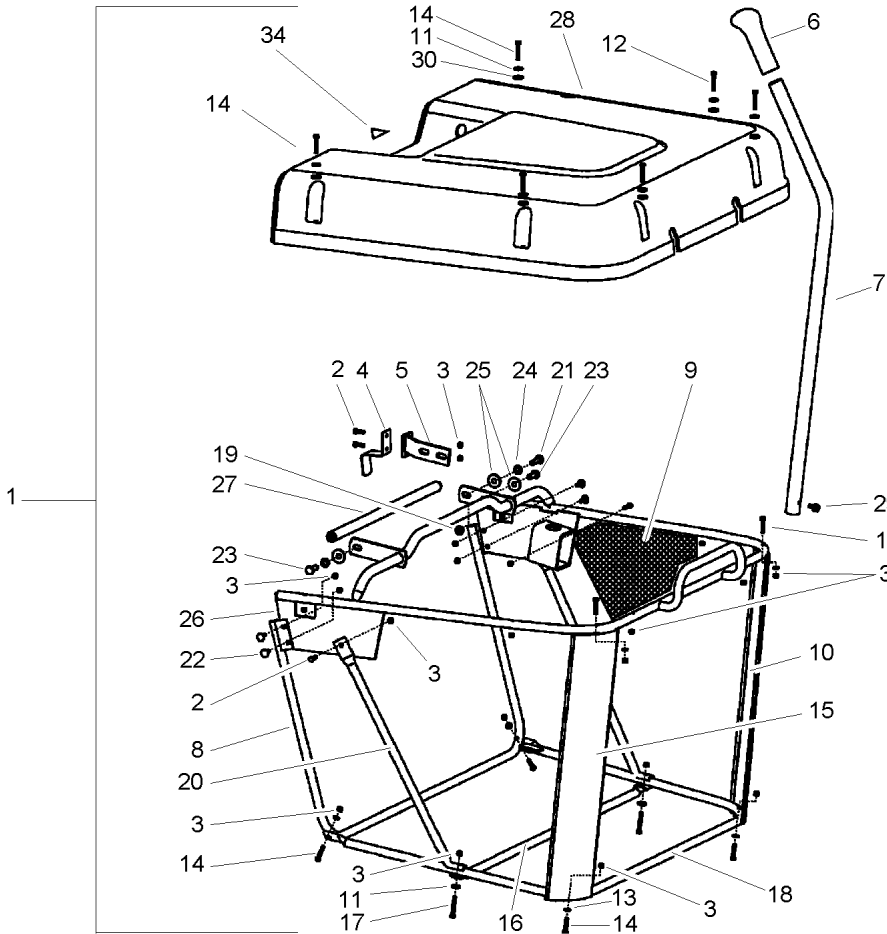
Fan Pulley Assembly Transmission Assembly No. 104-2889

Ref	Part No.	Qty.	Description	
1	104-3320	1	Collar-Spline	
2	104-3197	1	Pulley-Transmission	
3	104-3199	1	Fan- Transmission	
4	104-3321	1	Washer-Lock	
5	93-0387	1	E-Ring	
6	104-3198	1	E-Ring	



Center Case Assembly Transmission Assembly No. 104-2889

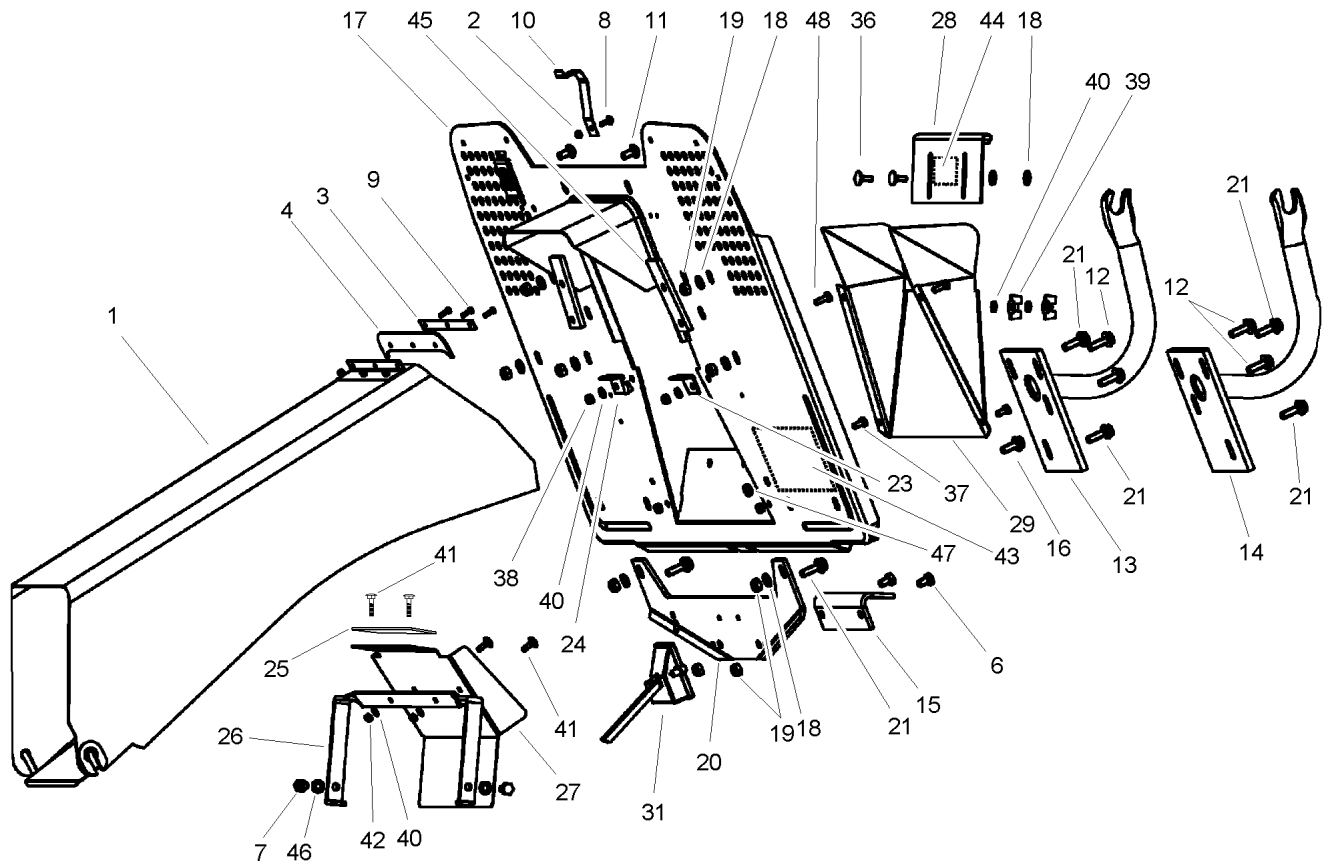
Ref	Part No.	Qty.	Description				
1	104-3267	1	Case-Center				
2	104-3268	2	Pin-Knock				
3	104-3269	1	Plug				
4	93-0419	1	Packing				
5	104-3270	1	Pin				
6	104-3271	1	Filter				
7	104-3272	3	Bolt				
8	104-3273	2	Valve				
9	104-3274	2	Spring				
10	104-3275	2	Filter				
11	104-3257	1	Magnet				



Grass Collector Assembly

Ref	Part No.	Qty.	Description
1	106-5760	1	Collector ASM
2	60-6910	2	Screw
3	87-5140	22	Nut-Lock
4	104-3033	1	Spring-Coll, Interlock Switch
5	106-5761	1	Bracket-Spring
6	104-3035	1	Grip-Handle
7	107-8917	1	Lever-Dump
8	104-3037	1	Front Frame ASM
9	104-3038	1	Bag-Grass
10	104-3039	1	Support-Corner, Right
11	104-2943	8	Washer-Flat
12	87-5150	4	Bolt
13	52-6430	14	Washer
14	104-3041	10	Screw-Hex
15	104-3042	1	Support-Corner, Left
16	104-3043	1	Brace-Connecting
17	104-3044	2	Screw-Hex
18	104-3045	1	Bottom Frame ASM
19	33024-00	1	Nut-Lock
20	104-3046	2	Brace
21	33114-025	1	Screw-HH
22	104-2948	4	Bolt-Carriage
23	33114-020	2	Screw-HH
24	42-9850	2	Washer-Lock, Spring

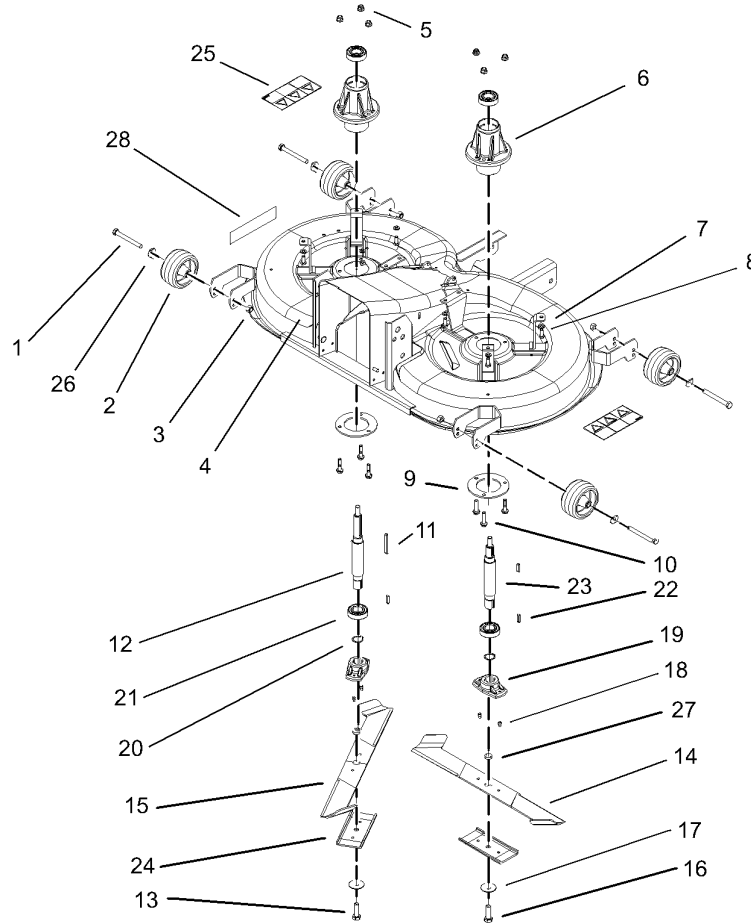
Ref	Part No.	Qty.	Description
25	104-2946	4	Washer-Plain
26	104-3047	1	Top Frame ASM
27	104-3048	1	Handle-Lift
28	106-5762	1	Cover-Collector
29	106-5763	1	Screw
30	104-2952	6	Washer-Rubber
34	104-3242	1	Decal-Bag To Frame



Collector Assembly

Ref	Part No.	Qty.	Description
1	106-8562	1	Tunnel
2	104-2985	4	Nut-Hex
3	104-3055	1	Plate-Support
4	104-3056	1	Seal-Rubber
6	33114-020	2	Screw-HH
7	68-9410	2	Screw-Flange
8	104-2983	1	Screw
9	104-3058	3	Screw-SFH
10	104-3059	1	Cover-Switch
11	104-3060	2	Bolt-Carriage
12	104-3061	4	Screw
13	104-3062	1	Support-Collector, Right
14	104-3063	1	Support-Collector, Left
15	104-3064	1	Hitch-Tow
16	104-3065	6	Screw-Hex
17	104-3066	1	Collector Plate ASM
18	33095-00	9	Washer-Flat
19	33024-00	9	Nut-Lock
20	104-3067	1	Support-Hitch, Tow
21	104-3068	5	Screw-Hex
23	106-8597	1	Support-Tunnel, Left
24	106-8598	1	Support-Tunnel, Right
25	106-8599	1	Shield-Rubber
26	104-3069	1	Bracket-Shield, Protective

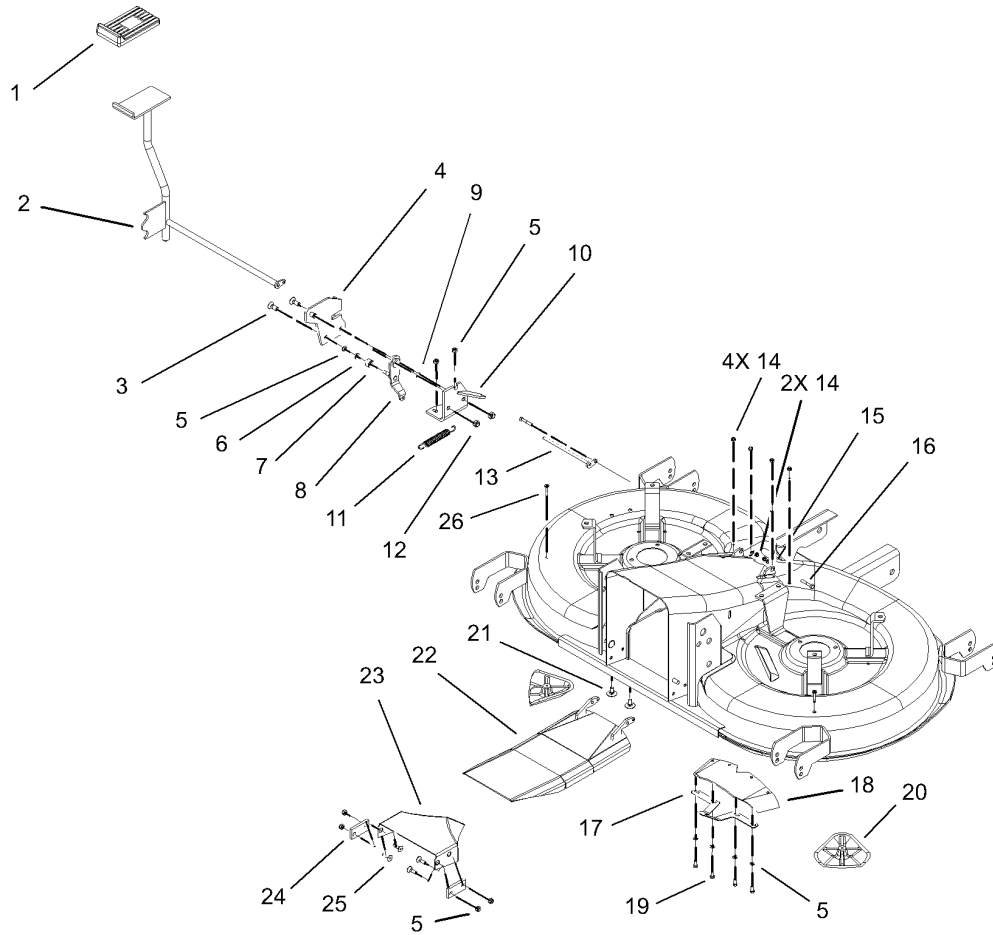
Ref	Part No.	Qty.	Description
27	104-3070	1	Shield-Protective
28	104-3336	1	Shield-Adjustable
29	104-3335	1	Hopper-Receiving
31	104-3074	1	Overload Switch ASM
36	104-2961	2	Screw
37	33113-012	2	Screw-HH
38	33023-00	4	Nut-Lock
39	32103-28	2	Nut-Wing
40	33093-00	4	Washer-Flat
41	104-2948	4	Bolt-Carriage
42	87-5140	4	Nut-Lock
43	104-3243	1	Decal-Bypass, Hydro
44	104-2853	1	Decal-Position, Bagging
45	104-3347	2	Plate-Reinforcing
46	104-3348	2	Washer-Spring
47	106-5772	1	Bushing
48	106-8575	2	Screw-HH



Cutting Pan, Mower Housing Assembly

Ref	Part No.	Qty.	Description
1	33115-090	4	Screw-HH
2	104-3080	4	Wheel-Gauge
3	33025-00	4	Nut-Lock
4	106-8564	1	Mower Housing ASM
5	104-3082	6	Nut-Lock, HF
6	104-3083	2	Housing-Quill
7	33094-00	8	Washer-Plain
8	33114-020	8	Screw-HH
9	104-3084	2	Support-Ring
10	104-3085	6	Bolt-HHF
11	104-3086	1	Key
12	106-8565	1	Shaft-Blade, Left
13	106-5797	1	Bolt-HH, Blade
14	106-8557	1	Blade-RH
15	106-8558	1	Blade-LH
16	106-5798	1	Bolt-Blade, HH
17	106-6532	2	Washer-Blade
18	104-3093	4	Pin-Shear, Grooved
19	106-4185	2	Adapter-Blade
20	104-3095	2	Ring-Locking
21	104-6325	4	Bearing-Ball
22	104-3097	3	Key-Square
23	106-8566	1	Shaft-Blade, Right
24	106-6533	2	Stiffener-Blade

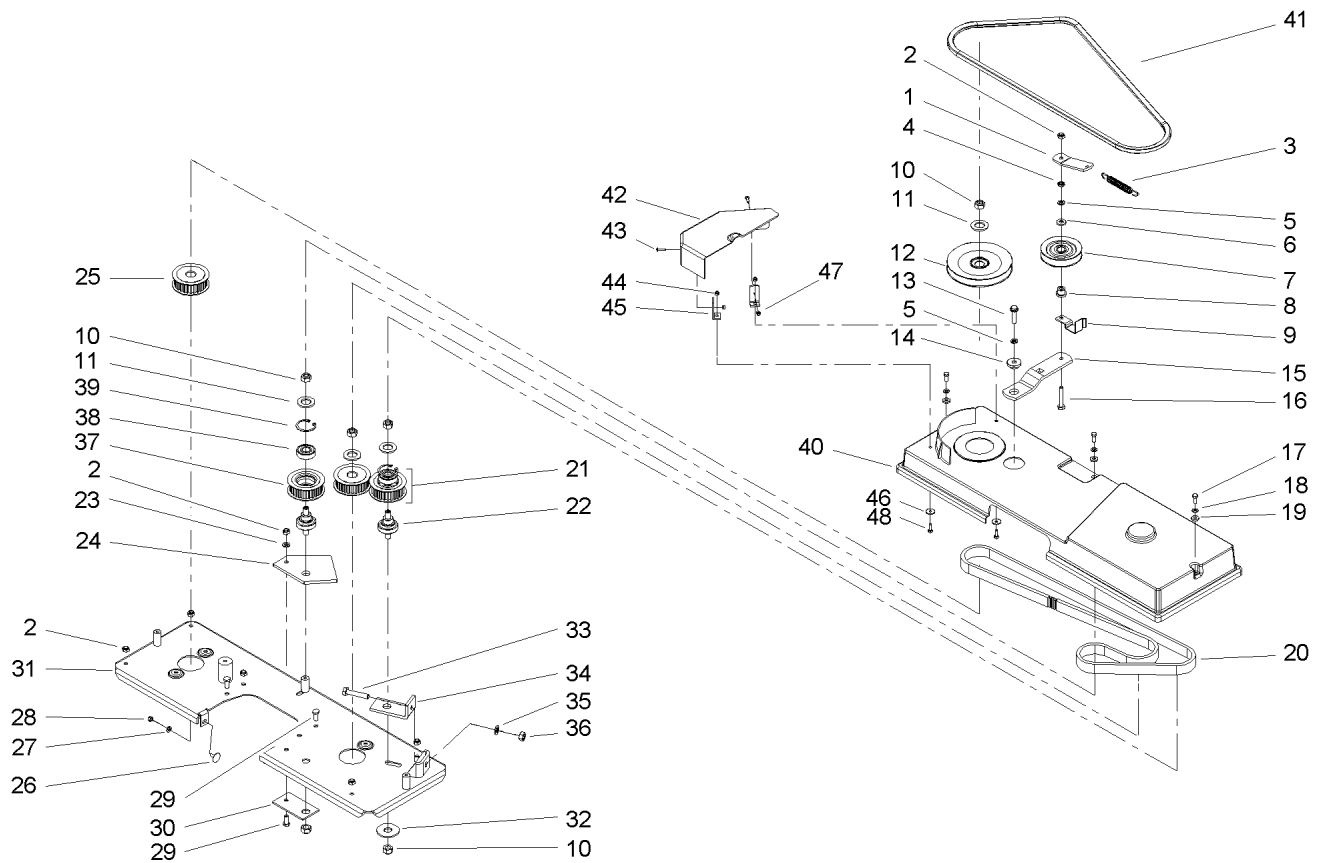
Ref	Part No.	Qty.	Description
25	93-7824	2	Decal-Danger
26	106-5767	4	Washer
27	106-6530	2	Spacer
28	106-8563	1	Decal-Recycler



Cutting Pan, Bag on Demand Assembly

Ref	Part No.	Qty.	Description
1	106-8583	1	Cover-Lever, Foot
2	106-8582	1	Lever-Foot
3	100-8159	2	Screw-HSFH
4	106-8578	1	Plate-Stop
5	33023-00	7	Nut-Lock
6	33093-00	1	Washer-Flat
7	106-8581	1	Roller
8	106-8579	1	Lever-Spring
9	106-8592	1	Ring-Locking
10	106-8577	1	Bracket-Mounting
11	106-8580	1	Spring
12	48-9510	2	Nut
13	106-8585	1	Rod-Door, Mulch
14	87-5140	6	Nut-Lock
15	52-6430	6	Washer
16	87-5150	2	Bolt
17	106-8567	2	Guide
18	106-8586	1	Gasket-Door, Mulch
19	106-8575	4	Screw-HH
20	106-8587	1	Kicker
21	33123-016	2	Screw-CARR
22	106-8584	1	Door-Mulch
23	106-8573	1	Baffle-Center
24	106-8572	2	Plate-Baffel, Center

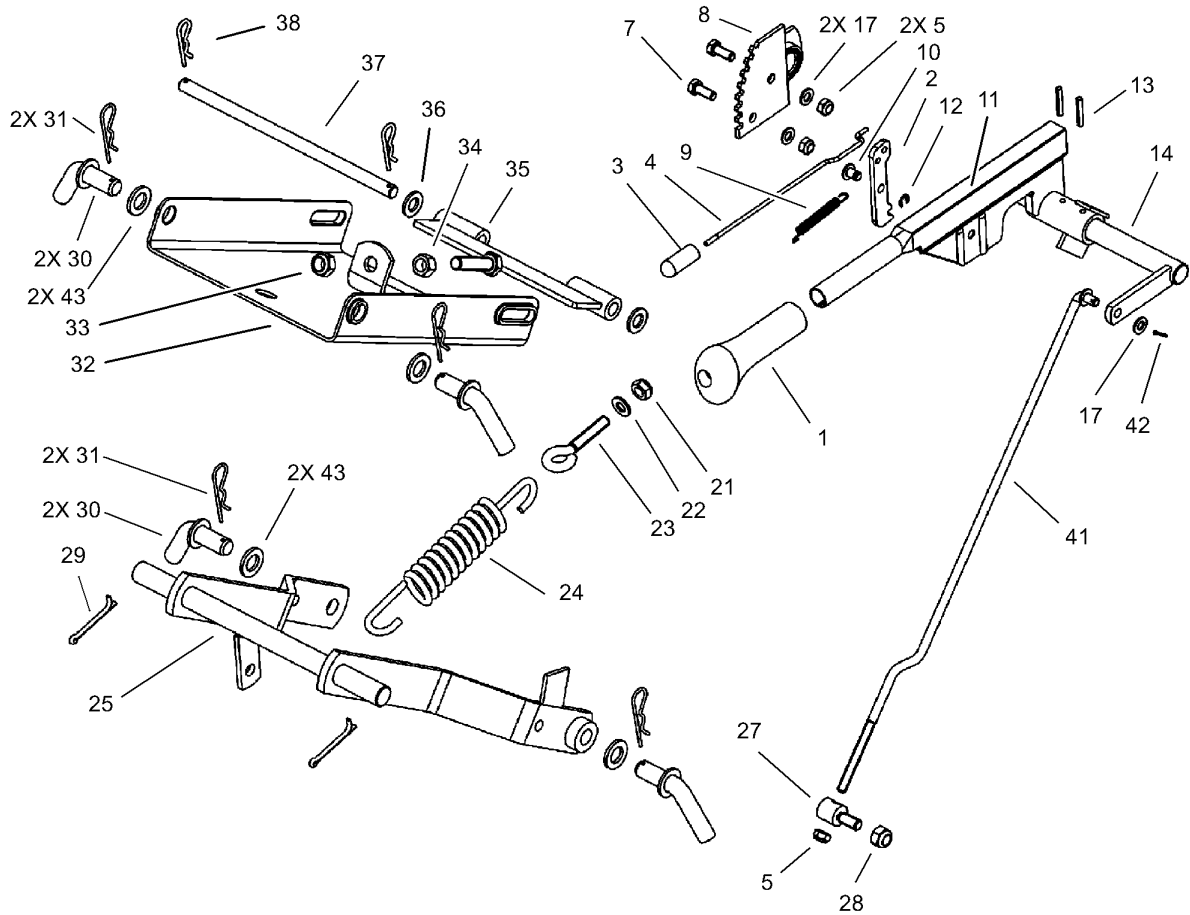
Ref	Part No.	Qty.	Description
25	106-8574	4	Screw
26	104-1451	2	Screw-TAP, PPH



Cutting Pan and Drive System Assembly

Ref	Part No.	Qty.	Description
1	104-3099	1	Lever-Engagement
2	48-9510	8	Nut
3	104-3101	1	Spring
4	57-6390	1	Nut-Jam
5	42-9850	2	Washer-Lock, Spring
6	106-8588	1	Washer-Flat
7	104-3103	1	Pulley-Idler
8	104-3104	1	Bushing
9	104-3105	1	Retainer-Belt
10	48-9540	6	Nut-Lock, Hex NI
11	33099-00	4	Washer-Flat
12	104-3107	1	Pulley-Drive
13	104-3085	1	Bolt-HHF
14	104-3108	1	Spacer-Shoulder
15	104-3109	1	Arm-Idler
16	33114-050	1	Screw-HH
17	33113-016	3	Screw-HH
18	106-8568	3	Washer-Flat
19	83-7420	3	Washer-Rubber
20	106-8591	1	Belt-Cog
21	104-3113	2	Cog Pulley ASM
22	104-3114	2	Pin-Pulley, Cog
23	33094-00	1	Washer-Plain
24	104-3115	1	Support-Pulley

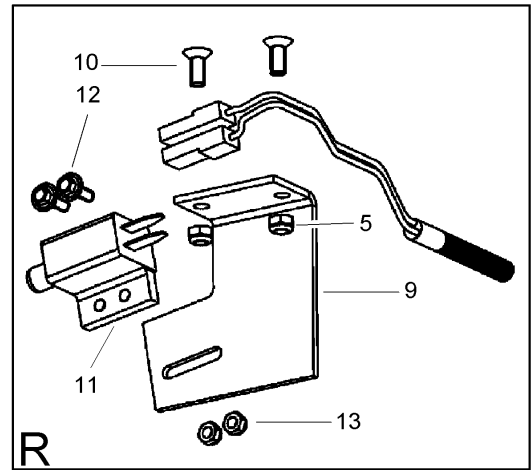
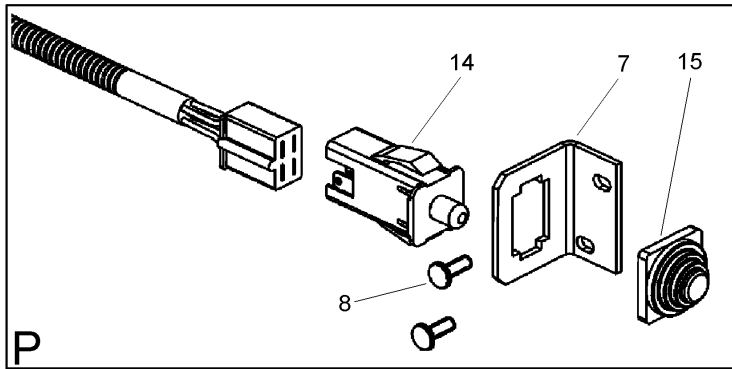
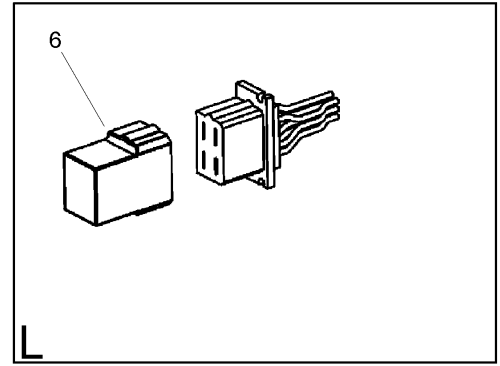
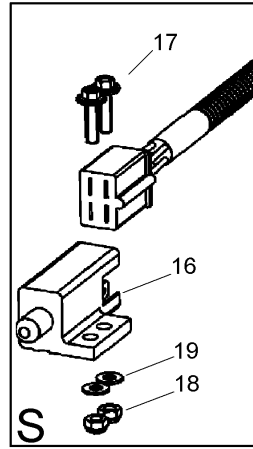
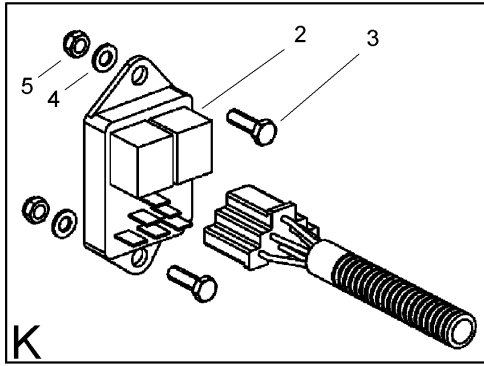
Ref	Part No.	Qty.	Description
25	104-3116	2	Pulley-Cog, Drive
26	33123-016	2	Screw-CARR
27	33093-00	2	Washer-Flat
28	33023-00	2	Nut-Lock
29	33114-025	3	Screw-HH
30	104-3117	1	Plate-Anchor
31	106-8590	1	Blade-Drive Plate
32	104-2909	1	Washer
33	33115-050	1	Screw-HH
34	104-3120	1	Bracket-Idler
35	33095-00	1	Washer-Flat
36	48-9520	1	Nut
37	104-3121	1	Pulley-Cog
38	100-1048	1	Bearing-Ball
39	104-3123	1	Ring-Locking
40	106-8589	1	Belt-Cover
41	104-3127	1	V-Belt
42	107-8941	1	Guard-Belt
43	60-6910	2	Screw
44	87-5140	2	Nut-Lock
45	107-8940	2	Bracket
46	3256-61	4	Washer-Flat
47	46-0430	2	Nut-Lock
48	107-8918	2	Screw



Mower Lift Assembly

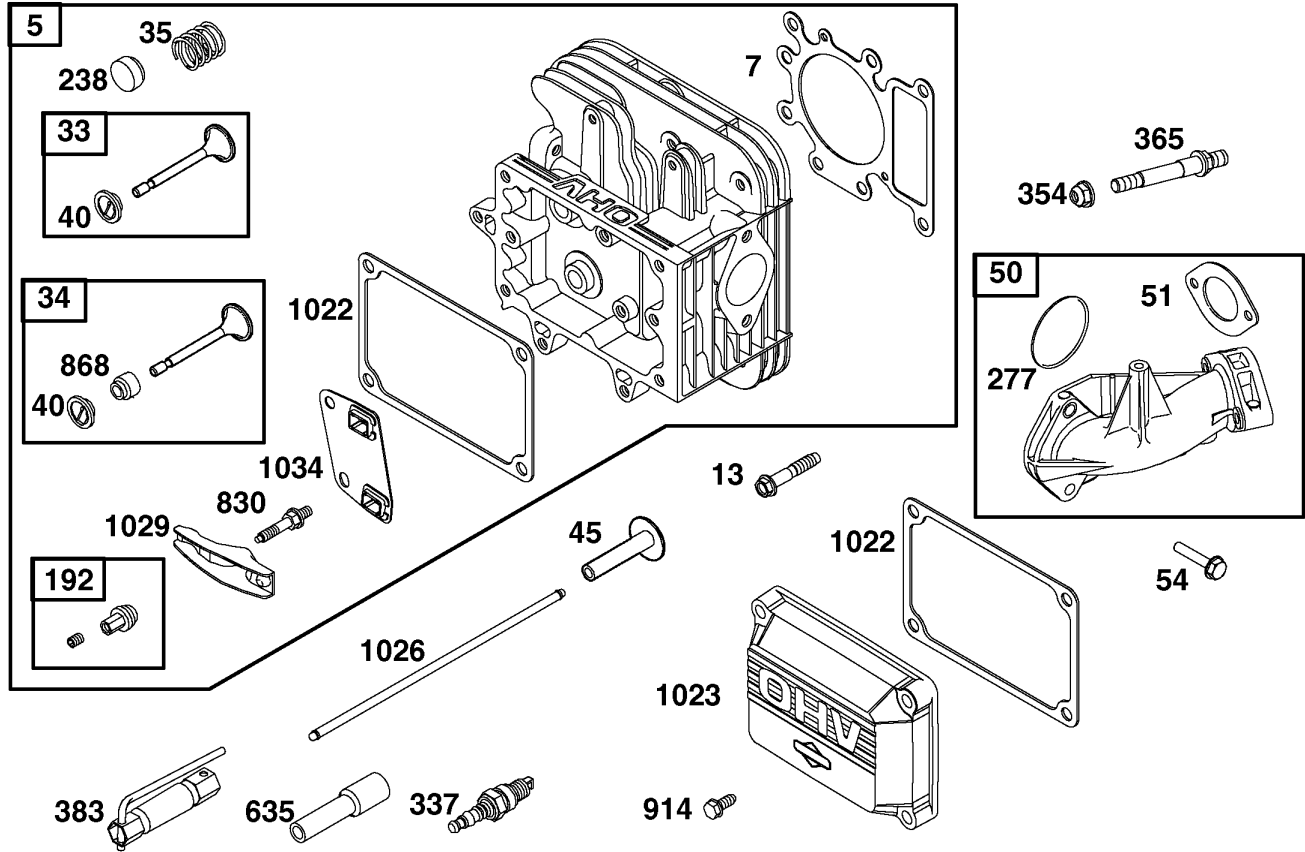
Ref	Part No.	Qty.	Description
1	104-3129	1	Grip-Handle
2	104-3130	1	Ratchet-Plate, Pivot
3	104-3131	1	Button-Plunger
4	104-3132	1	Rod-Connection
5	33024-00	3	Nut-Lock
7	33114-020	2	Screw-HH
8	104-3133	1	Segment-Gear
9	104-3134	1	Spring
10	104-3135	1	Pin-Arm Lever
11	104-3136	1	Lever-Arm, Height Adj.
12	104-3137	1	Clip-Pin
13	104-2994	2	Pin-Spring
14	104-3138	1	Shaft-Height Adj.
17	33094-00	3	Washer-Plain
21	33025-00	1	Nut-Lock
22	33095-00	1	Washer-Flat
23	104-3139	1	Bolt-Eye
24	104-3140	1	Spring-Lift
25	104-3141	1	Pivot Arm ASM
27	104-3142	1	Pin-Lifting
28	33025-00	1	Nut-Lock
29	104-3016	2	Pin-Cotter
30	104-3143	4	Pin-Bent
31	104-3144	4	Pin-Hair

Ref	Part No.	Qty.	Description
32	104-3145	1	Suspension-Mower Deck, Front
33	33026-00	1	Nut-Lock
34	33016-00	1	Nut-Hex
35	104-3146	1	Holder-Front
36	104-3124	2	Washer-Flat
37	104-3147	1	Pin
38	104-3148	2	Clip-Hair Pin
41	104-3149	1	Rod-Height Adj.
42	104-3151	1	Pin-Cotter
43	34-9270	4	Washer-Hose



Electrical Switch Assembly No. 3

Ref	Part No.	Qty.	Description
2	99-3701	1	Module-Clutch
3	60-6910	2	Screw
4	52-6430	2	Washer
5	87-5140	4	Nut-Lock
6	104-3169	1	Circuit-Memory
7	104-3333	1	Holder-Switch
8	104-3190	2	Screw
9	107-8955	1	Holder-Switch
10	104-2980	2	Screw
11	95-1653	1	Switch-Pole, Single
12	104-2983	2	Screw
13	104-2985	2	Nut-Hex
14	104-3338	1	Switch-Delta
15	104-3339	1	Cover-Switch
16	104-3330	1	Switch-Delta
17	104-3331	2	Bolt
18	46-0430	2	Nut-Lock
19	52-6430	2	Washer

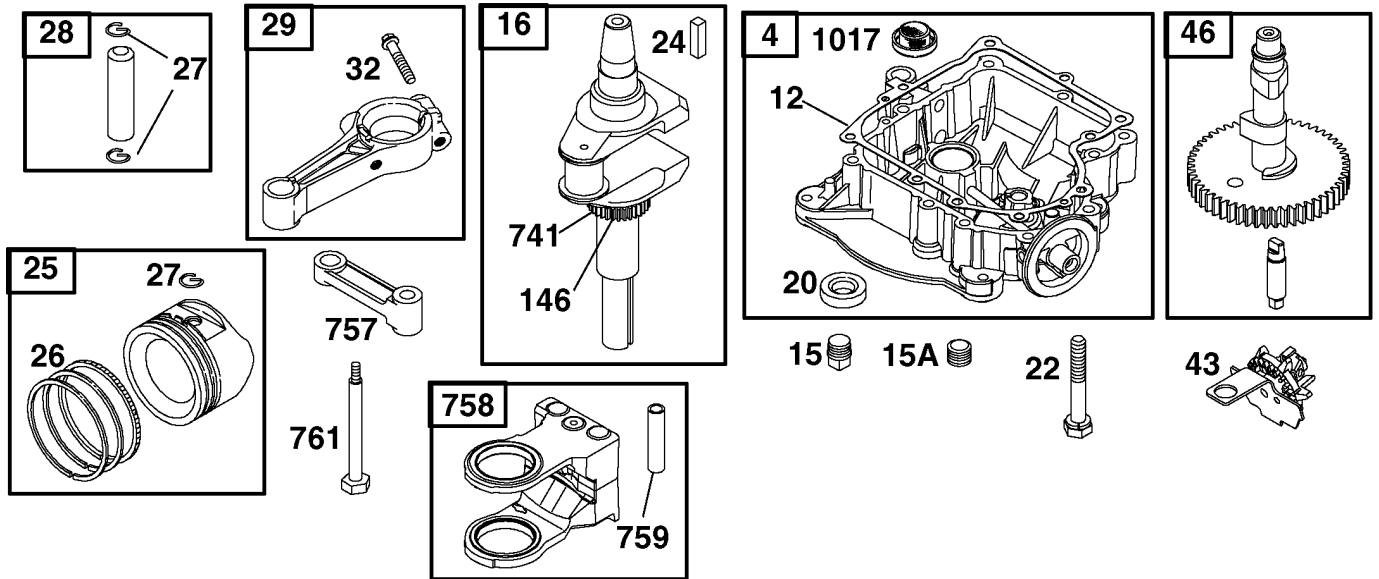


Assemblies include all parts shown in frames.

Cylinder Head Assembly Briggs and Stratton 311777-0151-E1

Ref	Part No.	Qty.	Description
75	690188	1	Cylinder Head
347	692410	1	Gasket-Cylinder Head
7			
713	690360	1	Screw
733	495856	1	Valve-Exhaust
734	495857	1	Valve-Intake
735	691279	1	Spring-Valve
740	224641	1	Retainer-Valve
745	690564	1	Tappet-Valve
750	690193	1	Manifold-Intake
3451	273650	1	Gasket-Intake
56			
754	691148	1	Screw
7192	492160	1	Adjuster-Valve
7238	691843	1	Cap-Valve
35277	692138	1	Seal-O Ring
7			
7337	491055	1	Plug-Spark
7354	94010	1	Nut
7365	690227	1	Stud
7383	89838	1	Wrench-Plug, Spark
7635	280872	1	Boot-Spark Plug
7830	696095	1	Stud (Rocker Arm)
35868	499236	1	Seal-Valve
7			

Ref	Part No.	Qty.	Description
7914	690690	1	Seal-O Ring
351022	272475	1	Gasket-Cover, Rocker
7			
71023	692492	1	Cover-Rocker
71026	494432	1	Guide-Push Rod
7	495136	1	Push Rod (Exhaust)
71029	691751	1	Arm-Rocker
71034	495248	1	Guide-Push Rod

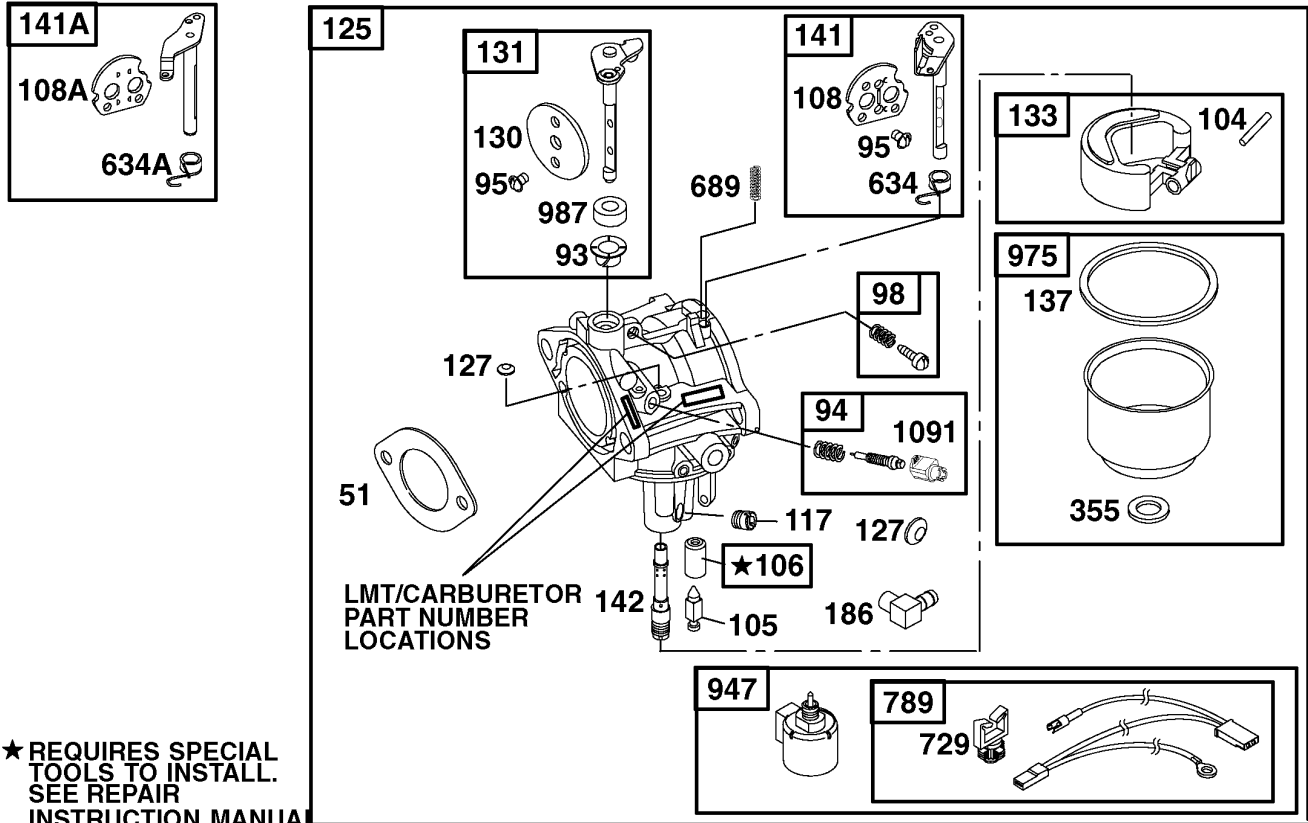


Assemblies include all parts shown in frames.

Crankcase Assembly Briggs and Stratton 311777-0151-E1

Ref	Part No.	Qty.	Description
4	693582	1	Enginesump
12	271916	1	Gasket-Crankcase (1/64")
12	271997	1	Gasket-Crankcase (.005")
12	271996	1	Gasket-Crankcase (.009")
15	94239	1	Plug-Pipe
15A	91488	1	Plug-Oil
16	690136	1	Crankshaft
20	291675	1	Seal-Oil
22	692125	1	Screw
24	222698	1	Key
25	692271	1	Piston Assembly (Standard)
25	692272	1	Piston Assy. (.010" O.S.)
25	692273	1	Piston Assy. (.020" O.S.)
25	692274	1	Piston Assy. (.030" O.S.)
26	690162	1	Ring Set (STD)
26	690164	1	Ring Set (.010" O.S.)
26	690166	1	Ring Set (.020" O.S.)
26	690168	1	Ring Set (.030" O.S.)
26	690168	1	Ring Set (.030" O.S.)
27	691299	1	Lock-Piston Pin
28	498319	1	Pin-Piston (STD.)
28	498320	1	Pin-Piston (.005 O.S.)
29	692419	1	Connecting Rod (STD)
29	499940	1	Connecting Rod (.020" Undersize)

Ref	Part No.	Qty.	Description
32	692852	1	Screw
43	490815	1	Gear-Governor
46	693930	1	Cam Shaft
146	94196	1	Key-Timing
741	691284	1	Gear-Timing
757	213998	1	Link-Countweight
758	692423	1	Counterweight
759	230787	1	Pin-Counterweight
761	691096	1	Screw (Counterweight)
1017	690770	1	Screen-Pump, Oil



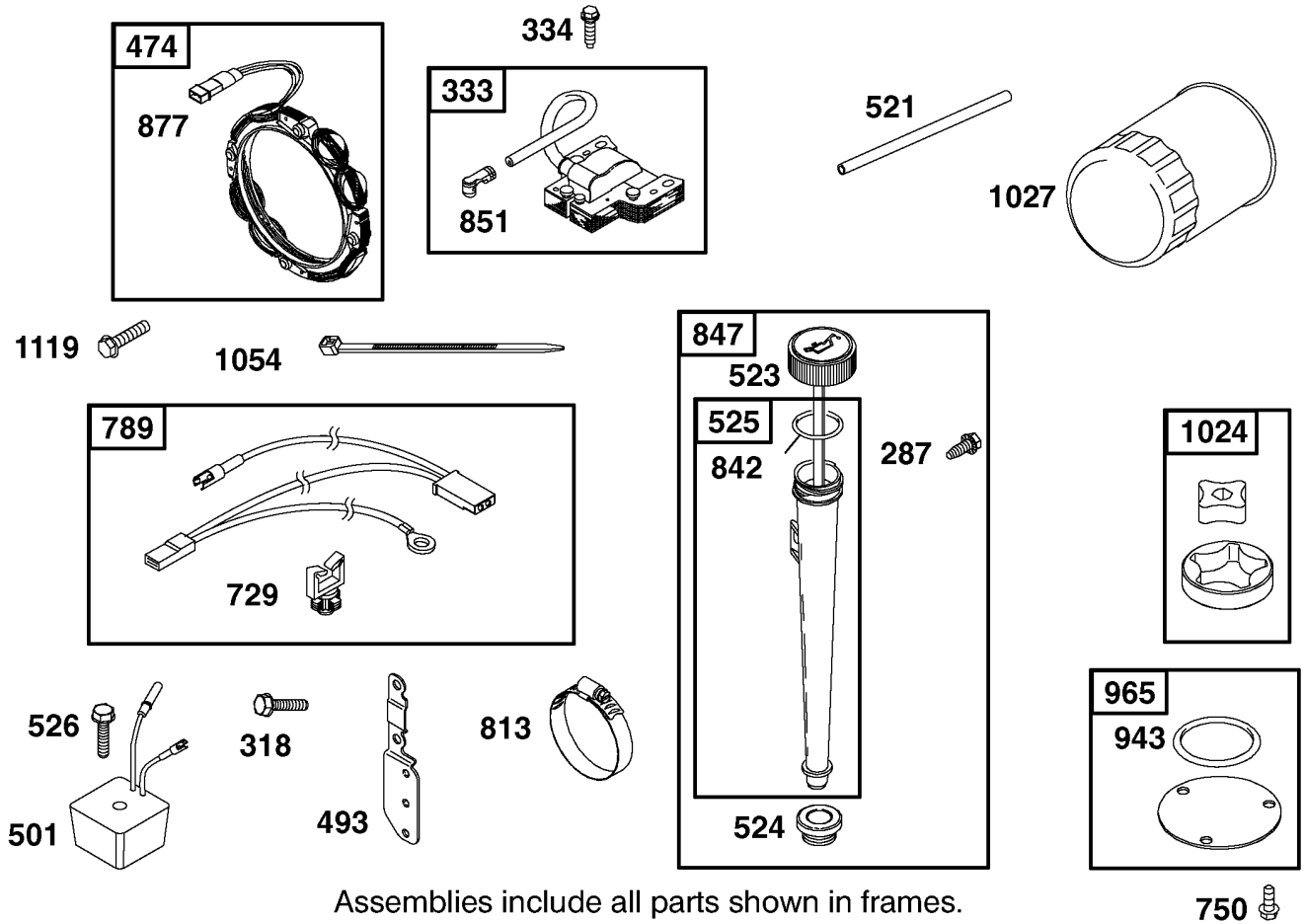
★ REQUIRES SPECIAL TOOLS TO INSTALL. SEE REPAIR INSTRUCTION MANUAL

Assemblies include all parts shown in frames.

Carburetor Assembly Briggs and Stratton 311777-0151-E1

Ref	Part No.	Qty.	Description
3 4 51	273650	1	Gasket-Intake
5 6			
1 7 93	281346	1	Bushing-Throttle
7 94	498030	1	Idle Mixture Kit
1 7 95	94098	1	Valve-Choke
7 98	495800	1	Idle Speed Kit
1 7 104	231789	1	Pin-Hinge, Float
1 7 105	231855	1	Valve-Needle, Float
1 7 106	231854	1	Seat-Inlet
7 108	224558	1	Valve-Choke
7 108A	224540	1	Valve-Choke
1 7 117	232118	1	Jet-Main
7	495136	1	Push Rod (Exhaust)
7 125	499153	1	Carburetor
1 7 127		1	Welch Plug(Sold In Kit Only)
7 130	224539	1	Valve-Throwe
7 131	494379	1	Throttle Shaft Kit
7 133	494381	1	Float-Carburetor
1 6 137	281165	1	Gasket-Bowl, Float
7			
7 141	495097	1	Choke Shaft Kit
7 141A	495931	1	Choke Shaft Kit
1 7 142	232117	1	Carburetor Nozzle
7 186	493496	1	Connector-Fuel

Ref	Part No.	Qty.	Description
1 6 355	281164	1	Washer
7			
1 7 634	494453	1	Seal-Choke Shaft
1 7 634A	494455	1	Seal-Choke Shaft
7 689	262715	1	Friction Spring
7 729	281390	1	Clip-Wire
7 789	497708	1	Wire Stop
7 947	497672	1	Solenoid
7 975	495933	1	Bowl-Float
1 7 987	281166	1	Seal-Shaft
7 1091	691333	1	Cap-Limiter

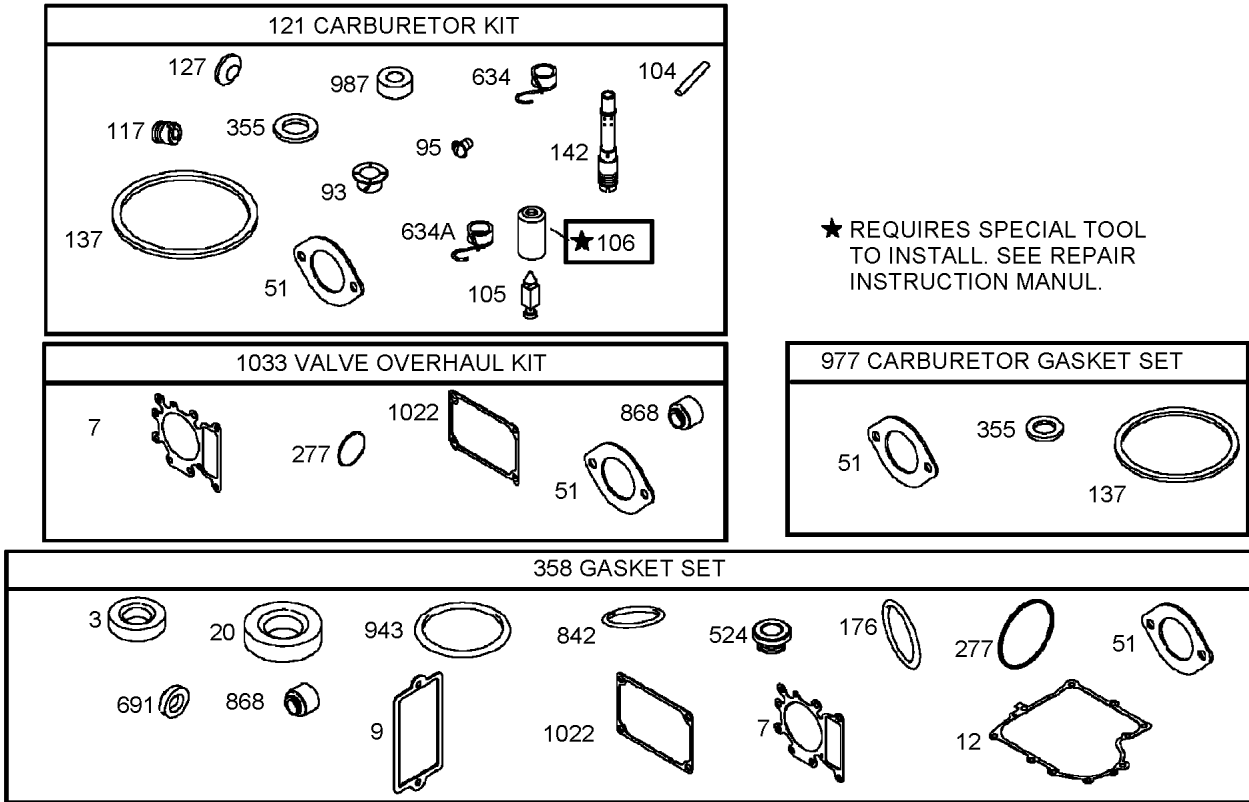


Assemblies include all parts shown in frames.

Oil Filter, Tube, and Pump Assembly Briggs and Stratton 311777-0151-E1

Ref	Part No.	Qty.	Description
⑦287	94903	1	Screw-Shoulder
⑦318	694476	1	Screw
⑦333	495859	1	Armature-Magneto
⑦334	691061	1	Screw
⑦474	691065	1	Alternator
⑦493	694475	1	Bracket-Mounting
⑦501	491546	1	Regulator
⑦521	690581	1	Shield-Cable
⑦523	692014	1	Dipstick
⑧⑦524	281370	1	Seal
⑦525	691398	1	Dipstick Tube
⑦526	690326	1	Screw (Regulator)
⑦729	281390	1	Clip-Wire
⑦750	691033	1	Screw
⑦789	497708	1	Wire Stop
⑦813	690635	1	Clamp
⑧⑦842	270920	1	O-Ring
⑦847	496415	1	Fill Group-Oil
⑦851	224110	1	Cable Terminal
⑦877	393456	1	Wire-Connector / Alternator
⑧⑦943	280801	1	O-Ring Seal
⑦965	499613	1	Cover-Pump, Oil
⑦1024	499054	1	Pump-Oil
⑦1027	492932	1	Filter-Oil

Ref	Part No.	Qty.	Description
⑦1054	280275	1	Tie-Cable
⑦1119	93621	1	Screw



Assemblies include all parts shown in frames.

Carburetor Overhaul Kit Assembly Briggs and Stratton 311777-0151-E1

Ref	Part No.	Qty.	Description
373	391086	0	Seal-Oil
357	692410	0	Gasket-Cylinder Head
7			
379	27803	0	Gasket-Breather
3712	271916	0	Gasket-Crankcase (1/64")
37	271997	0	Gasket-Crankcase (.005")
37	271996	0	Gasket-Crankcase (.009")
720	291675	0	Seal-Oil
3451	273650	0	Gasket-Intake
57			
4793	281346	0	Bushing-Throttle
4795	94098	0	Valve-Choke
47104	231789	0	Pin-Hinge, Float
47105	231855	0	Valve-Needle, Float
47106	231854	0	Seat-Inlet
47117	232118	0	Jet-Main
7121	690191	0	Carburetor Kit
47127		0	Welch Plug Sold In Kit Only
46137	281165	0	Gasket-Bowl, Float
7			
47142	232117	0	Carburetor Nozzle
7176	281106	0	O-Ring
37277	692138	0	Seal-O Ring
46355	281164	0	Washer
7			

Ref	Part No.	Qty.	Description
7358	690189	0	Gasket Set
37524	281370	0	Seal
47634	494453	0	Seal-Choke Shaft
47634A	494455	0	Seal-Choke Shaft
37691	491323	0	Seal-Oil
37842	270920	0	O-Ring
37868	499236	0	Seal-Valve
7943	280801	0	O-Ring Seal
7977	690192	0	Carburetor Gasket Set
47987	281166	0	Seal-Shaft
351022	272475	0	Gasket-Cover, Rocker
7			
71033	690190	0	Set-Valve Gasket

NOTES

NOTES

NOTES

