



## 190-DH Lawn Tractor

Model No. 74590 - 240000001 and up.

### Parts Catalog

---

#### **Ordering Replacement Parts**

To order replacement parts, please supply the part number, the quantity, and the description of each part desired.

#### **Understanding Reference Numbers**

Each identified part in an illustration has a reference number. The reference number for a part also appears in the parts list, along with other information about the part.

This catalog uses two special reference number formats, one to indicate parts in a service assembly and another to indicate the quantity of a given part in an illustration.

#### **Service Assembly Reference Numbers**

Parts in service assemblies have reference numbers in the form a:b. The a represents the reference number of the entire service assembly and the b represents a sequential number unique to each part within the service assembly.

For example, a wheel assembly might be identified by reference number 6, the tire by 6:1, the valve by 6:2, and the wheel by 6:3. When you order the assembly identified by reference number 6, you receive all parts identified by reference numbers 6:1, 6:2, and 6:3. However, you may also order any part individually. Reference numbers of this type appear in illustrations and in part lists.

#### **Reference Numbers Indicating Quantity**

In an illustration, if a reference number indicates more than one part, the reference number has the form nX y. The n represents the quantity of the part, the X is the multiplication symbol, and the y represents the reference number.

For example, in an illustration, the reference number 2X 37 means that two of the parts identified by reference number 37 are indicated.

# Contents

<b>Description</b>	<b>Page</b>	<b>Description</b>	<b>Page</b>
Fender and Seat Assembly	..... 4	Grass Collector Assembly	..... 25
Front Axle Assembly	..... 6	Collector Assembly	..... 26
Steering Assembly	..... 7	Cutting Pan, Mower Housing Assembly	..... 27
Body and Hood Assembly	..... 8	Cutting Pan, Bag on Demand Assembly	..... 28
Engine Assembly	..... 9	Cutting Pan and Drive System Assembly	..... 29
Brake and Bypass Assembly	..... 10	Mower Lift Assembly	..... 30
Travel Pedal Assembly	..... 11	Electrical Assembly	..... 31
Transmission Drive Assembly	..... 12	Electrical Switch Assembly No. 1	..... 32
Control Shaft Assembly Transmission Assembly No. 104-2889	..... 14	Electrical Switch Assembly No. 2	..... 33
Motor Shaft Assembly Transmission Assembly No. 104-2889	..... 15	Electrical Switch Assembly No. 3	..... 34
Transaxle Case Assembly Transmission Assembly No. 104-2889	..... 16	Cylinder Assembly Briggs and Stratton 406777-0157-E1	..... 35
Differential Gear Assembly Transmission Assembly No. 104-2889	..... 17	Cylinder Head Assembly Briggs and Stratton 406777-0157-E1	..... 36
Final Pinion Assembly Transmission Assembly No. 104-2889	..... 18	Crankshaft Assembly Briggs and Stratton 406777-0157-E1	..... 37
Axle Shaft Assembly Transmission Assembly No. 104-2889	..... 19	Carburetor Assembly Briggs and Stratton 406777-0157-E1	..... 38
Brake Assembly Transmission Assembly No. 104-2889	..... 20	Blower Housing Assembly Briggs and Stratton 406777-0157-E1	..... 39
Fan Pulley Assembly Transmission Assembly No. 104-2889	..... 21	Governor Assembly Briggs and Stratton 406777-0157-E1	..... 40
Range Shift Assembly Transmission Assembly No. 104-2889	..... 22	Oil Filter, Tube, and Pump Assembly Briggs and Stratton 406777-0157-E1	..... 41
Center Case Assembly Transmission Assembly No. 104-2889	..... 23	Flywheel Assembly Briggs and Stratton 406777-0157-E1	..... 42
Pump Shaft Assembly Transmission Assembly No. 104-2889	..... 24	Starter Assembly Briggs and Stratton 406777- 0157-E1	..... 43
		Gasket Kit Assembly Briggs and Stratton 406777-0157-E1	..... 44

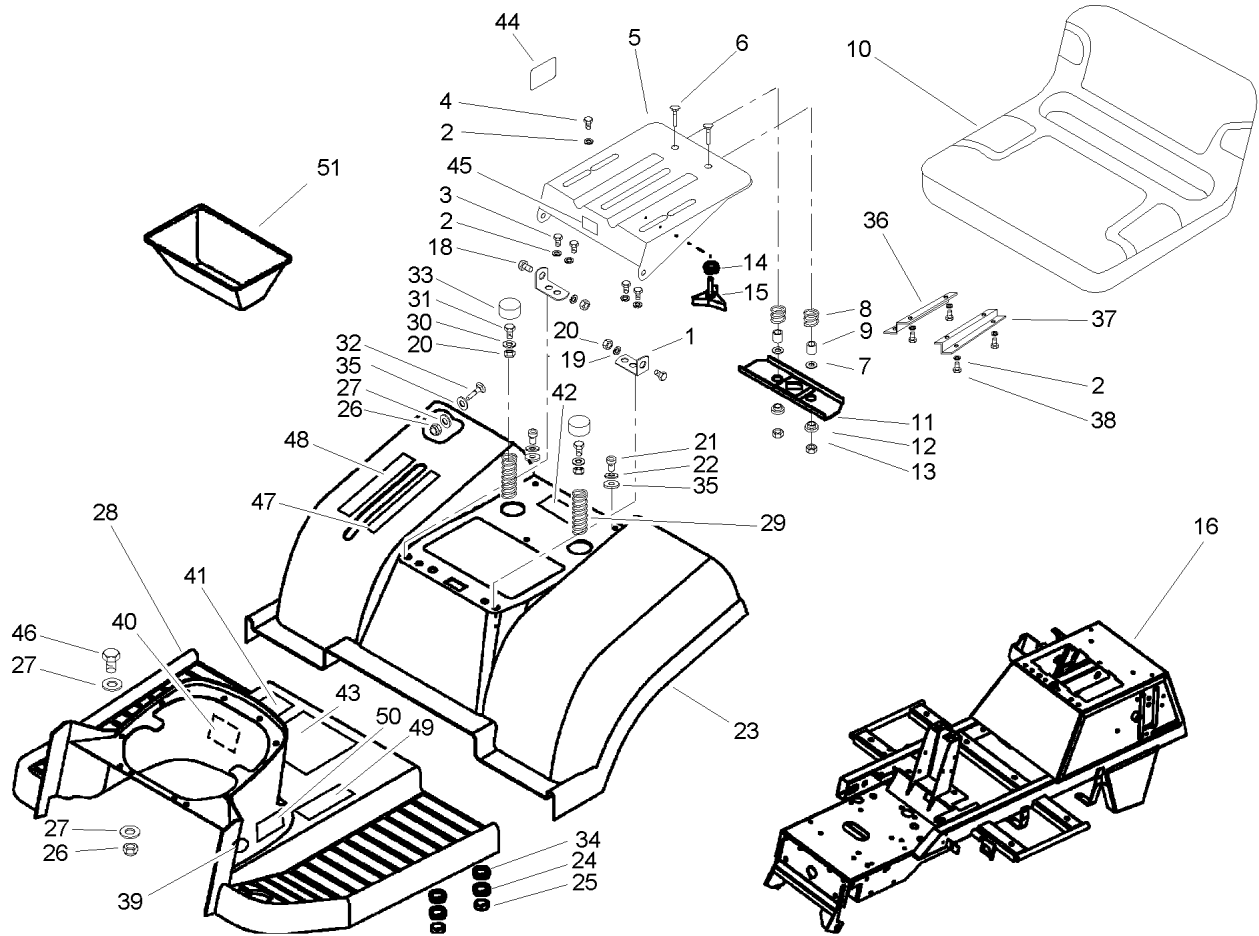
## Part Description Abbreviations

Part descriptions in this catalog may include the following abbreviations.

AR. ....	as required	HYD. ....	hydraulic
ASM. ....	assembly	LH. ....	left hand
BBC. ....	blade brake clutch	NI. ....	nylon insert
CARR. ....	carriage	NPTF. ....	national pipe thread fine
DEG. ....	degrees	PFH. ....	phillips flat head
EXT. ....	external	PPH. ....	phillips pan head
FH. ....	flat head	PPHTF. ....	phillips pan head thread forming
GA. ....	gauge	PRH. ....	phillips round head
HD. ....	heavy-duty	PTH. ....	phillips truss head
HF. ....	hex flange	PTO. ....	power-take-off
HH. ....	hex head	RH. ....	right hand
HHF. ....	hex head flange	ROPS. ....	roll-over protection system
HHFTF. ....	hex head flange thread forming	SFH. ....	slotted fillister head
HJ. ....	hex jam	SHH. ....	slotted hex head
HLH. ....	hex lag head	SHWH. ....	slotted hex washer head
HOC. ....	height-of-cut	SPH. ....	slotted pan head
HSBH. ....	hex socket button head	SQH. ....	square head
HSFH. ....	hex socket flat head	SRH. ....	slotted round head
HSH. ....	hex socket head	STD. ....	standard
HWH. ....	hex washer head	TAP. ....	self tapping
HWHTF. ....	hex washer head thread forming	TTH. ....	torx truss head

## Footnotes

- |   |   |   |   |
|---|---|---|---|
| ❶ | Not illustrated                                 | ❷ | Not serviced separately                     |
| ❸ | Included in Valve Overhaul Kit-Ref. 1033.       | ❹ | Included in Engine Gasket Set-Ref. 358.     |
| ❺ | Included in Carburetor Overhaul Kit-Ref. 121.   | ❻ | Included in Carburetor Gasket Set-Ref. 977. |
| ❻ | Obtain from your local Briggs & Stratton dealer |   |   |

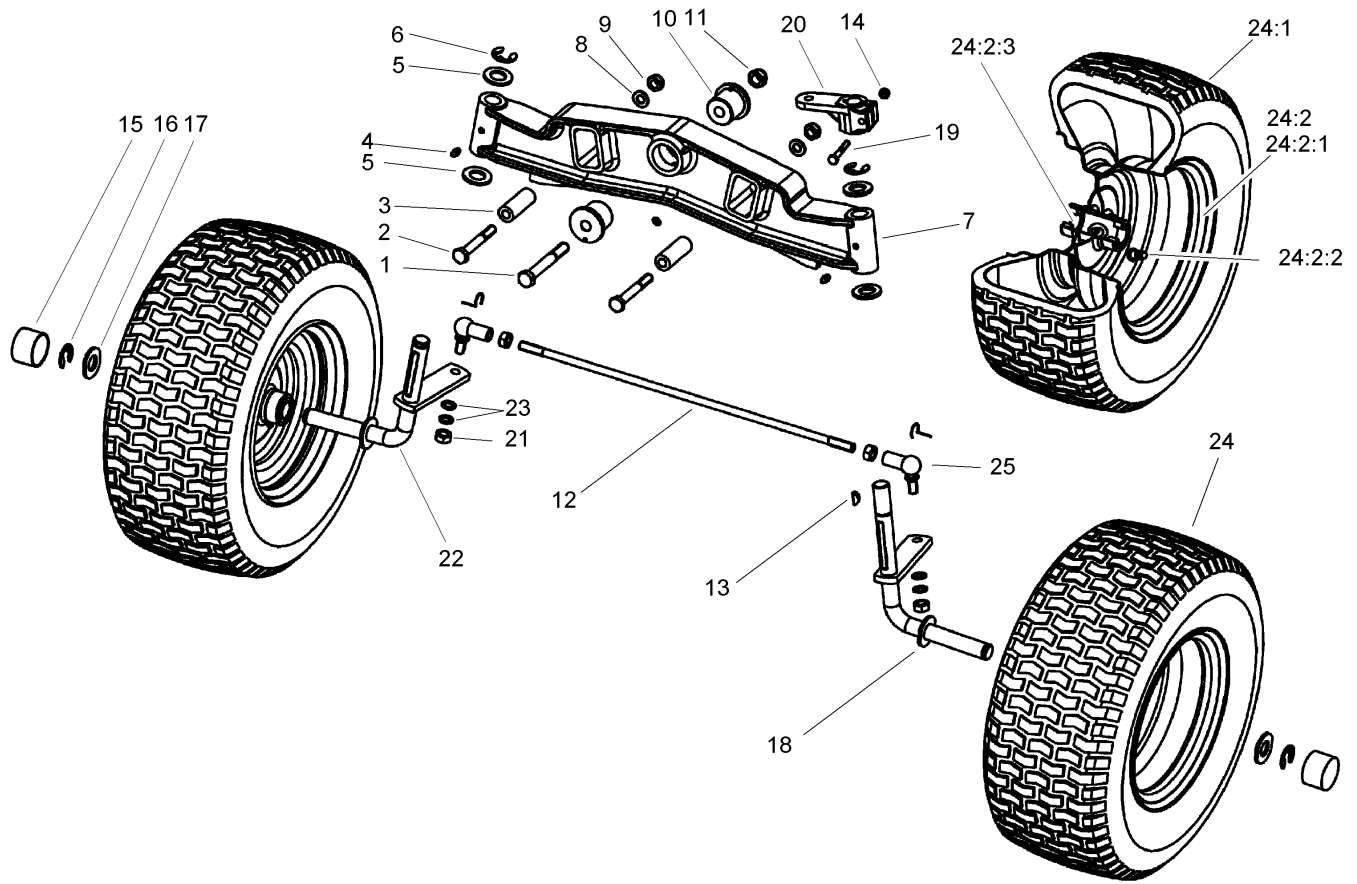


## Fender and Seat Assembly

Ref	Part No.	Qty.	Description
1	104-2926	2	Bracket-Support, Seat
2	42-9850	10	Washer-Lock, Spring
3	33114-025	10	Screw-HH
4	322-3	2	Screw-HH
5	104-2929	1	Support-Seat
6	104-2930	2	Bolt-Carriage
7	104-2931	2	Washer-Flat
8	104-2932	2	Spring-Seat
9	104-2933	2	Spacer-Split
10	107-2213	1	Seat ASM
11	104-2934	1	Bracket
12	104-2935	2	Bushing
13	33023-00	2	Nut-Lock
14	104-2936	2	Washer-Spring
15	104-2937	2	Knob-Adj.
16	107-8948	1	Chassis-Frame
18	104-2939	2	Screw-Support, Seat
19	33094-00	6	Washer-Plain
20	33024-00	8	Nut-Lock
21	104-2940	2	Screw-HSFH
22	104-2941	2	Washer-Finish
23	106-5752	1	Fender
24	33095-00	4	Washer-Flat
25	33025-00	4	Nut-Lock

Ref	Part No.	Qty.	Description
26	87-5140	6	Nut-Lock
27	104-2943	6	Washer-Flat
28	104-2944	1	Footrest ASM
29	104-2945	2	Spring-Seat
30	104-2946	6	Washer-Plain
31	33114-020	2	Screw-HH
32	104-2948	6	Bolt-Carriage
33	104-2857	2	Cap-Hub
34	104-2951	2	Washer-Rubber
35	104-2952	2	Washer-Rubber
36	107-8915	1	Bracket-Seat, RH
37	107-8916	1	Bracket-Seat, LH
38	104-3195	4	Screw
39	104-3237	1	Decal-Brake, Parking
40	104-3238	1	Decal-Starting
41	104-3241	1	Decal-Operation, Hydro
42	104-3242	1	Decal-Bag To Frame
43	104-2903	1	Decal-Instruction
44	99-5340	1	Decal-Switch
45	93-7276	1	Decal-Danger
46	60-6910	6	Screw
47	104-3239	1	Decal-HOC, LH
48	104-3240	1	Decal-HOC, RH
49	106-8552	1	Decal-Operation

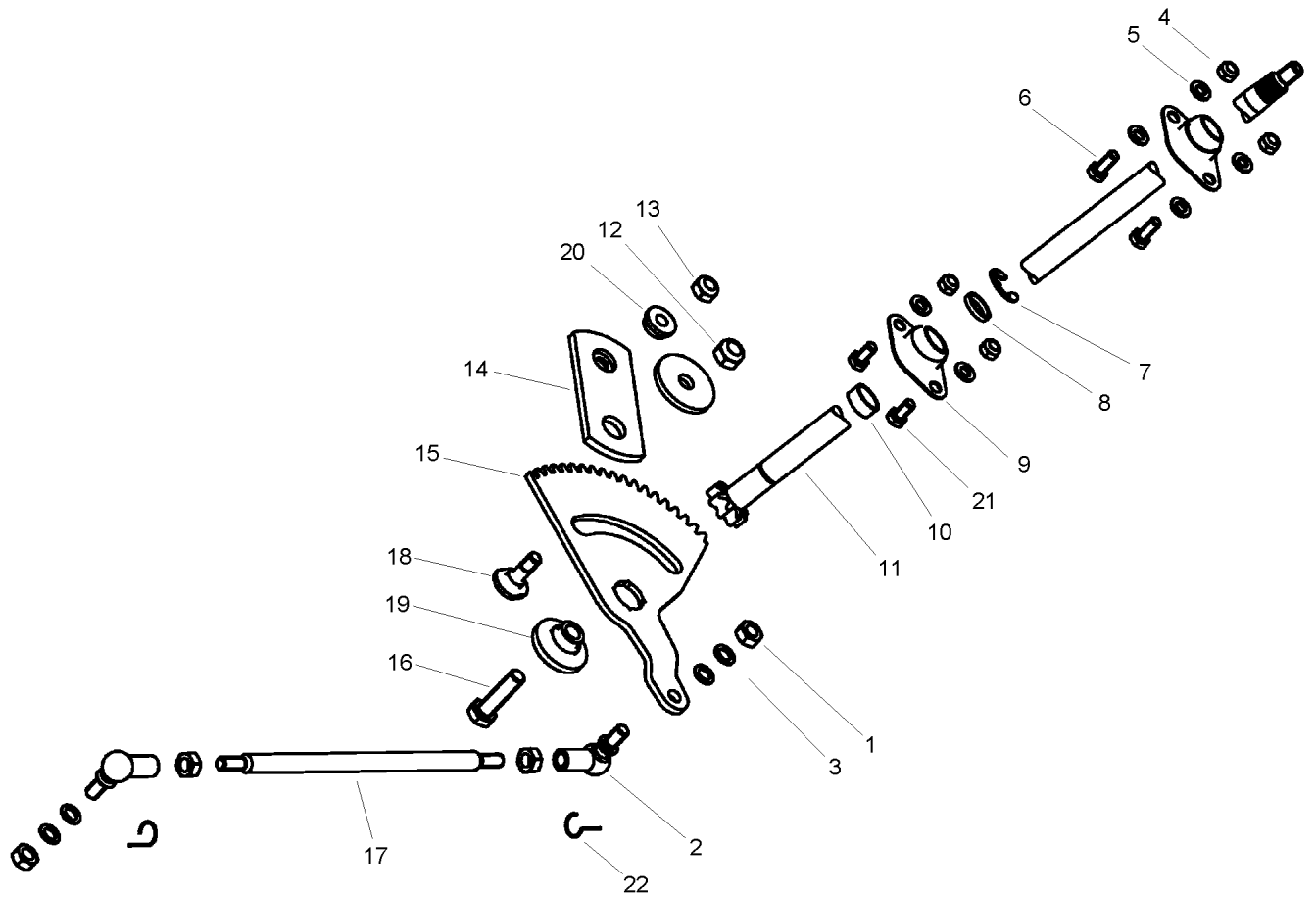




### Front Axle Assembly

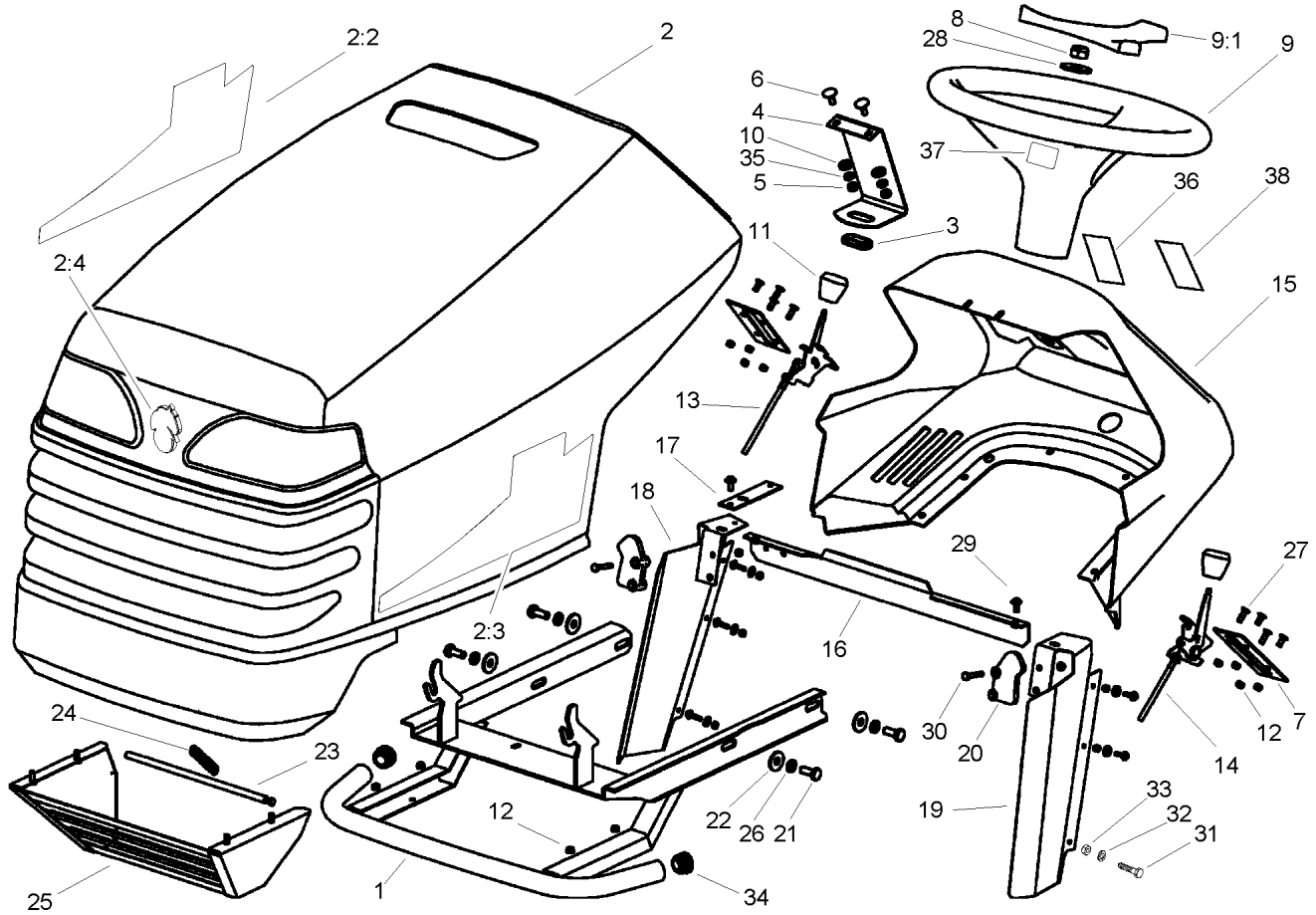
Ref	Part No.	Qty.	Description
1	33116-090	1	Screw-HH
2	33115-080	2	Screw-HH
3	104-2851	2	Spacer
4	104-2904	3	Fitting-Grease
5	104-2905	4	Washer-Flat
6	104-2891	2	Clip-Spring
7	104-2852	1	Axle-Front
8	104-2906	2	Washer-Flat
9	33025-00	2	Nut-Lock
10	104-2890	2	Bushing-Axle, Front
11	104-2907	1	Nut-Self Locking
12	104-2855	1	Rod-Tie, Front Axle
13	104-2856	1	Key-Woodruff
14	33023-00	1	Nut-Lock
15	104-2857	2	Cap-Hub
16	104-2891	2	Clip-Spring
17	104-3206	2	Washer
18	104-2861	1	Spindle-LH
19	33113-045	1	Screw-HH
20	104-2862	1	Lever-Spindle, Steering
21	33015-00	2	Nut-Hex
22	104-2867	1	Spindle-RH
23	106-5757	4	Washer
24	107-8930	2	Tire And Wheel ASM

Ref	Part No.	Qty.	Description
24:1	99-3696	1	Tire
24:2	107-8931	1	Wheel ASM
24:2:1		1	Rim
24:2:2	106-8596	1	Valve-Tire
24:2:3	107-8960	2	Bearing-Wheel
25	104-2876	2	Joint-Ball, Angle
99	112819	1	Tube-Inner



### Steering Assembly

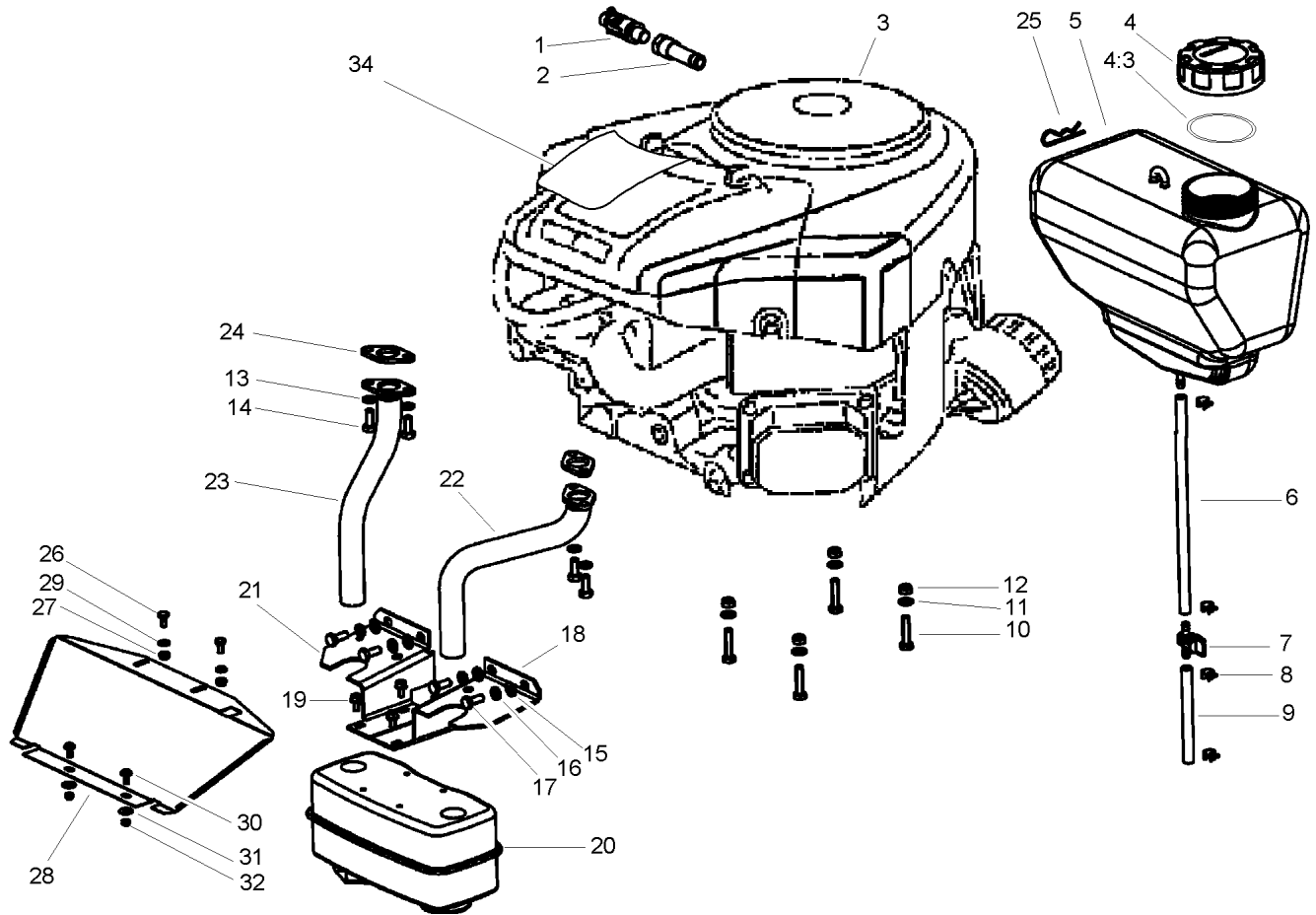
Ref	Part No.	Qty.	Description
1	33015-00	4	Nut-Hex
2	104-2876	2	Joint-Ball, Angle
3	106-5757	4	Washer
4	33024-00	4	Nut-Lock
5	33094-00	6	Washer-Plain
6	33114-020	2	Screw-HH
7	104-2891	1	Clip-Spring
8	104-2877	1	Spacer-Upper
9	104-2878	2	Bearing-Spherical
10	104-2879	1	Spacer-Lower
11	106-5773	1	Shaft-Steering
12	33026-00	1	Nut-Lock
13	33025-00	1	Nut-Lock
14	105-1238	1	Plate-Steering
15	104-2883	1	Gear-Sector
16	104-2910	1	Screw-Hex
17	104-2886	1	Link-Drag
18	105-1239	1	Bolt-Shoulder
19	105-1240	1	Pivot-Steering
20	105-1241	1	Bushing
21	33114-016	2	Screw-HH
22	104-2865	2	Stirrups-Locking

## Body and Hood Assembly

Ref	Part No.	Qty.	Description
1	107-2216	1	Support-Bumper
2	107-8953	1	Hood
2:2	107-8913	1	Decal-Hood, RH
2:3	107-8902	1	Decal-Hood, LH
2:4	95-4248	1	Decal
3	104-2959	1	Bushing
4	104-2960	1	Holder-Tank, Fuel
5	33023-00	2	Nut-Lock
6	104-2961	2	Screw
7	104-2962	2	Brace
8	33026-00	1	Nut-Lock
9	98-1472	1	Wheel-Steering
9:1	98-1468	1	Cover-Wheel, Steering
10	33094-00	2	Washer-Plain
11	66-0120	2	Knob
12	87-5140	18	Nut-Lock
13	92-6784	1	Control-Throttle, Twin
14	92-6783	1	Control-Choke, Twin
15	104-2968	1	Panel-Dash
16	104-2970	1	Brace
17	104-2971	1	Bracket
18	104-2972	1	Panel-Right
19	104-2973	1	Panel-Left
20	92-6960	2	Latch-Hood

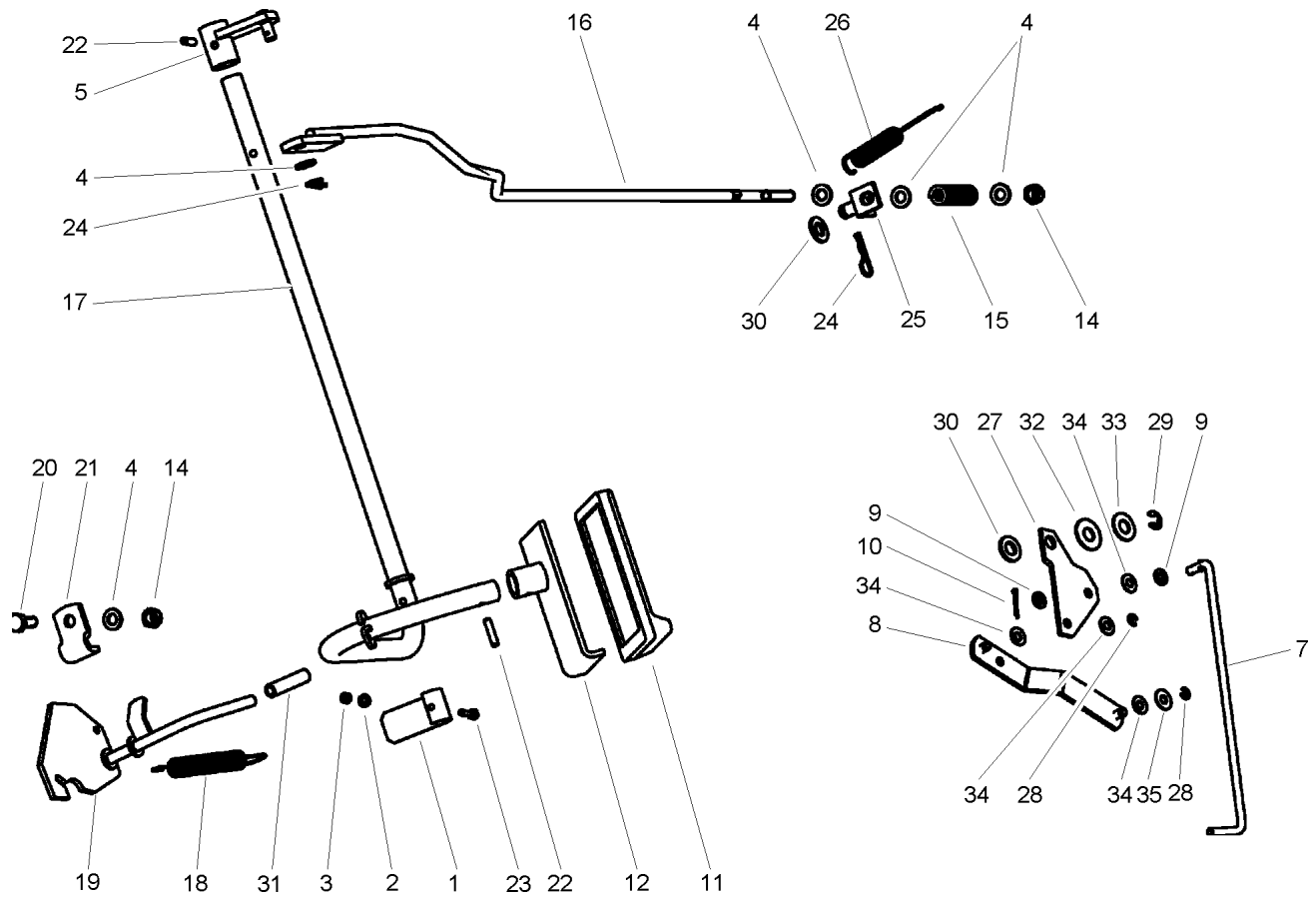
Ref	Part No.	Qty.	Description
21	33114-020	4	Screw-HH
22	104-2946	4	Washer-Plain
23	104-2974	1	Bar-Safety
24	104-2975	1	Spring-Hood
25	107-2218	1	Guard-Muffler
26	42-9850	4	Washer-Lock, Spring
27	106-5759	8	Screw
28	106-5758	1	Washer
29	104-2980	2	Screw
30	104-2981	4	Screw
31	107-8918	6	Screw
32	104-3175	6	Washer
33	104-2985	6	Nut-Hex
34	107-8943	2	End Cap-Tube
35	43-5930	2	Washer-Spring
36	104-3234	1	Decal
37	98-1459	1	Decal
38	104-3233	1	Decal-Choke/PTO



## Engine Assembly

Ref	Part No.	Qty.	Description
1	104-3208	1	Valve-Oil Drain
2	106-5764	1	Coupler-Oil Drain
3		1	Engine-Briggs And Stratton, 406777-0157-E1
4	88-3980	1	Gas Cap ASM
4:3	88-4010	1	Gasket-Cap, Gas
5	104-3057	1	Tank-Fuel
6	106-0890	1	Line-Fuel
7	104-3224	1	Valve-Tank, Fuel
8	104-3212	4	Clamp-Line, Fuel
9	106-0891	1	Line-Fuel
10	33114-035	4	Screw-HH
11	33094-00	4	Washer-Plain
12	33024-00	4	Nut-Lock
13	104-2927	4	Washer-Spring
14	322-3	4	Screw-HH
15	33094-00	4	Washer-Plain
16	104-2927	4	Washer-Spring
17	33114-020	4	Screw-HH
18	104-3214	1	Guard-Muffler, LH
19	106-5763	4	Screw
20	104-3225	1	Muffler
21	104-3215	1	Guard-Muffler, RH
22	104-3216	1	Tube-Exhaust, LH

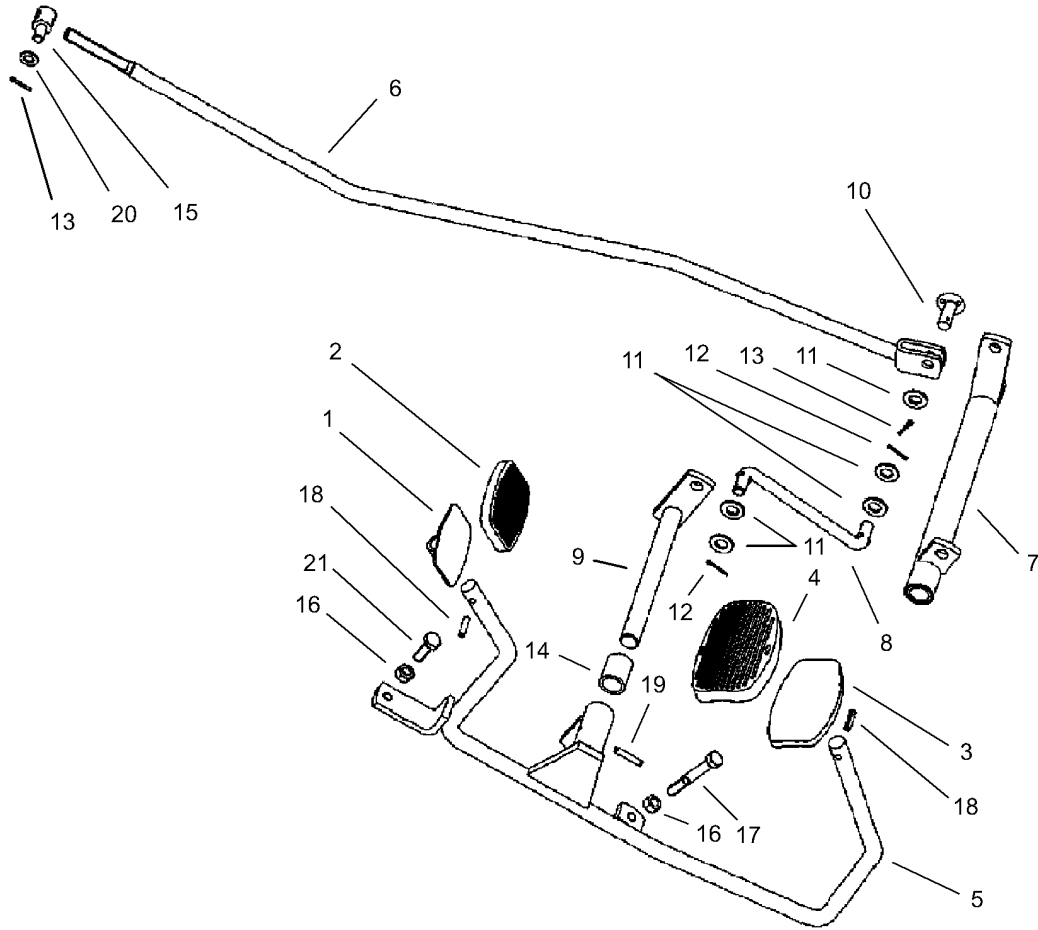
Ref	Part No.	Qty.	Description
23	104-3217	1	Tube-Exhaust, RH
24	104-3226	2	Gasket-Exhaust
25	104-3144	1	Pin-Hair
26	33113-012	2	Screw-HH
27	33023-00	2	Nut-Lock
28	104-3219	1	Shield-Heat
29	33093-00	2	Washer-Flat
30	104-2980	2	Screw
31	104-2943	2	Washer-Flat
32	87-5140	2	Nut-Lock
34	104-2901	1	Decal-Engine



## Brake and Bypass Assembly

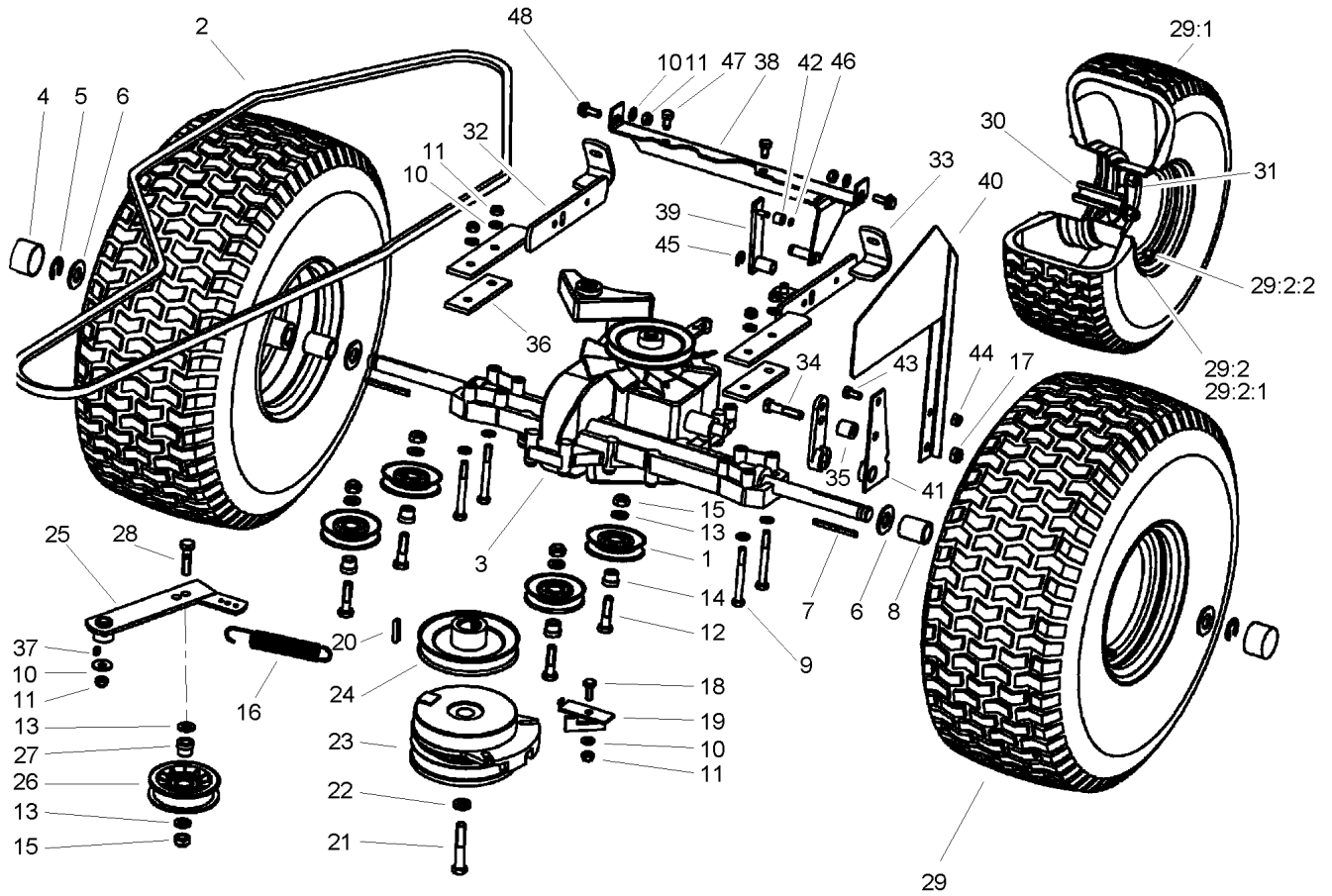
Ref	Part No.	Qty.	Description
1	104-2992	1	Lever-Spring
2	104-2984	1	Washer
3	104-2985	1	Nut-Hex
4	33094-00	5	Washer-Plain
5	104-2993	1	Bracket-Rod, Brake
7	104-2995	1	Rod-Lever, Bypass
8	104-3324	1	Lever-Bypass
9	104-3193	2	Washer
10	104-2997	1	Pin-Cotter
11	104-2998	1	Pad-Pedal
12	104-2999	1	Pedal
14	33024-00	2	Nut-Lock
15	104-3002	1	Spring-Brake
16	104-3003	1	Rod-Connecting, Brake
17	104-3246	1	Shaft-Brake
18	104-3005	1	Spring-Brake, Hand
19	104-3006	1	Lever-Brake, Hand
20	33114-020	1	Screw-HH
21	104-3007	1	Clamp-Lever, Parking Brake
22	104-3008	2	Pin-Spring
23	104-3009	1	Screw-Hex
24	104-3016	2	Pin-Cotter
25	104-3011	1	Bracket-Rod, Brake
26	104-3012	1	Spring

Ref	Part No.	Qty.	Description
27	104-3323	1	Plate-Bypass
28	104-3014	2	Stirrup
29	104-3015	1	Stirrup
30	33095-00	2	Washer-Flat
31	104-3247	1	Cap
32	106-5768	1	Washer
33	106-5769	1	Washer
34	106-5770	4	Washer
35	106-5771	1	Washer



### Travel Pedal Assembly

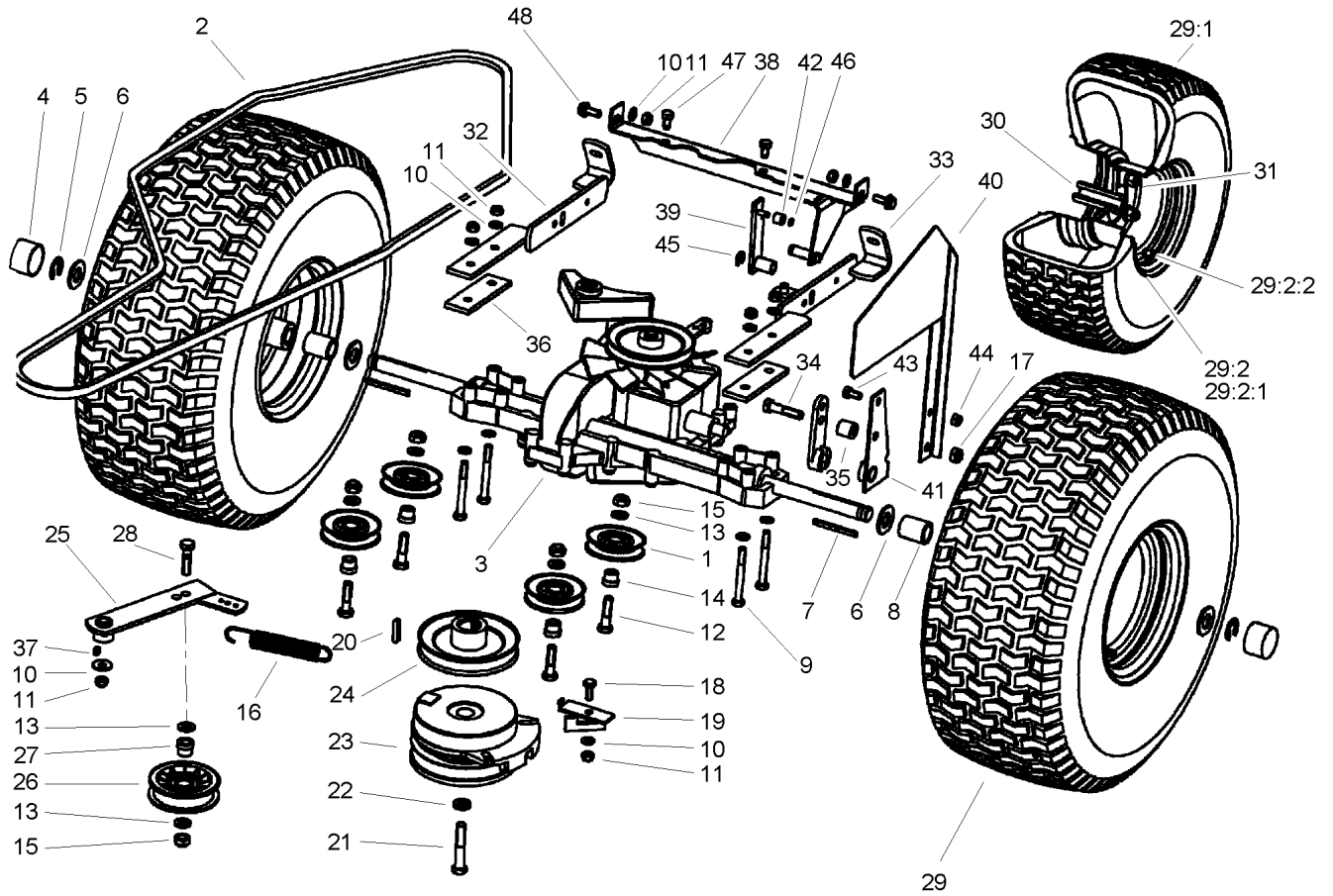
Ref	Part No.	Qty.	Description
1	104-3017	1	Pedal-Rear, Travel
2	104-3018	1	Pad-Pedal
3	104-3019	1	Pedal-Travel, Front
4	104-3020	1	Pad-Pedal, Front
5	104-3021	1	Pad-Travel
6	104-3022	1	Rod-Tie
7	104-3023	1	Shaft-Diagonal
8	104-3024	1	Link-Formed
9	104-3025	1	Shaft-Diagonal
10	104-3026	1	Pin
11	33095-00	5	Washer-Flat
12	104-3016	2	Pin-Cotter
13	104-3027	2	Pin-Cotter
14	104-3028	1	Spacer
15	104-3029	1	Pin
16	33014-00	2	Nut-Hex
17	43-3220	1	Capscrew-HH
18	104-3008	2	Pin-Spring
19	104-3030	1	Pin-Spring
20	104-3031	1	Washer
21	33114-025	1	Screw-HH

## Transmission Drive Assembly

Ref	Part No.	Qty.	Description
1	104-2887	4	Pully-Idler
2	104-2888	1	V-Belt-Traction
3	104-2889	1	Transmission
4	104-2857	2	Cap-Hub
5	104-2891	2	Clip-Spring
6	104-3206	4	Washer
7	104-2892	2	Key-Square
8	104-2895	2	Spacer-Axle
9	33114-080	4	Screw-HH
10	33094-00	10	Washer-Plain
11	33024-00	6	Nut-Lock
12	33115-040	4	Screw-HH
13	33095-00	6	Washer-Flat
14	104-2896	4	Bushing-Idler
15	33025-00	5	Nut-Lock
16	104-2897	1	Spring
17	33025-00	1	Nut-Lock
18	33114-020	1	Screw-HH
19	104-2898	1	Retainer
20	104-2899	1	Key-Square
21	3212-10	1	Screw-HH
22	93-9043	1	Washer-Spring, Belleville
23	104-3334	1	Clutch-Electric
24	104-2911	1	Pulley-Engine

Ref	Part No.	Qty.	Description
25	104-2912	1	Arm-Idler
26	104-2913	1	Pulley-Idler
27	104-2896	1	Bushing-Idler
28	33115-040	1	Screw-HH
29	107-8929	2	Tire And Wheel ASM
29:1	99-2994	1	Tire
29:2	107-8932	1	Wheel ASM
29:2:1		1	Rim
29:2:2	106-8596	1	Valve-Tire
30	104-2921	2	Hub-Wheel
31	104-2922	8	Nut-Wheel
32	106-8594	1	Bracket-Right
33	106-8593	1	Bracket-Left
34	33115-045	1	Screw-HH
35	104-2925	1	Sleeve
36	104-3343	2	Plate-Reinforcing
37	104-2904	1	Fitting-Grease
38	104-3327	1	Bar ASM
39	104-3328	1	Arm-Switch
40	104-3325	1	Arm-Control, Cruise
41	104-3326	1	Tenon
42	104-3329	1	Roller
43	33114-010	1	Screw-HH
44	33024-00	2	Nut-Lock



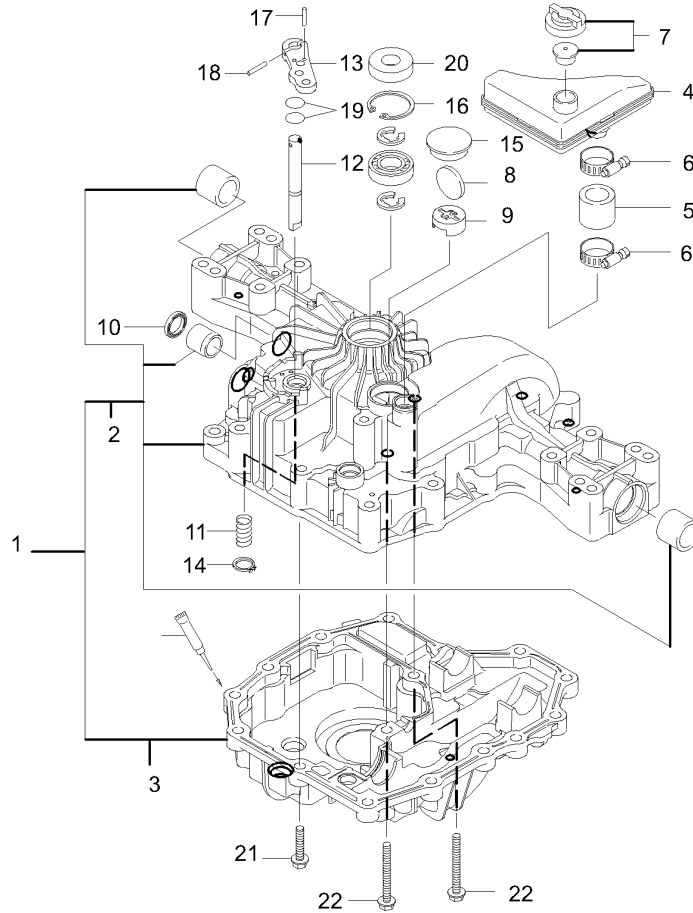
### Transmission Drive Assembly (continued)

Ref	Part No.	Qty.	Description
45	104-3341	1	Stirrup
46	104-3014	1	Stirrup
47	104-3344	2	Screw-Thread Forming
48	104-3065	2	Screw-Hex
●99	232-37	1	Tube

--	--	--	--



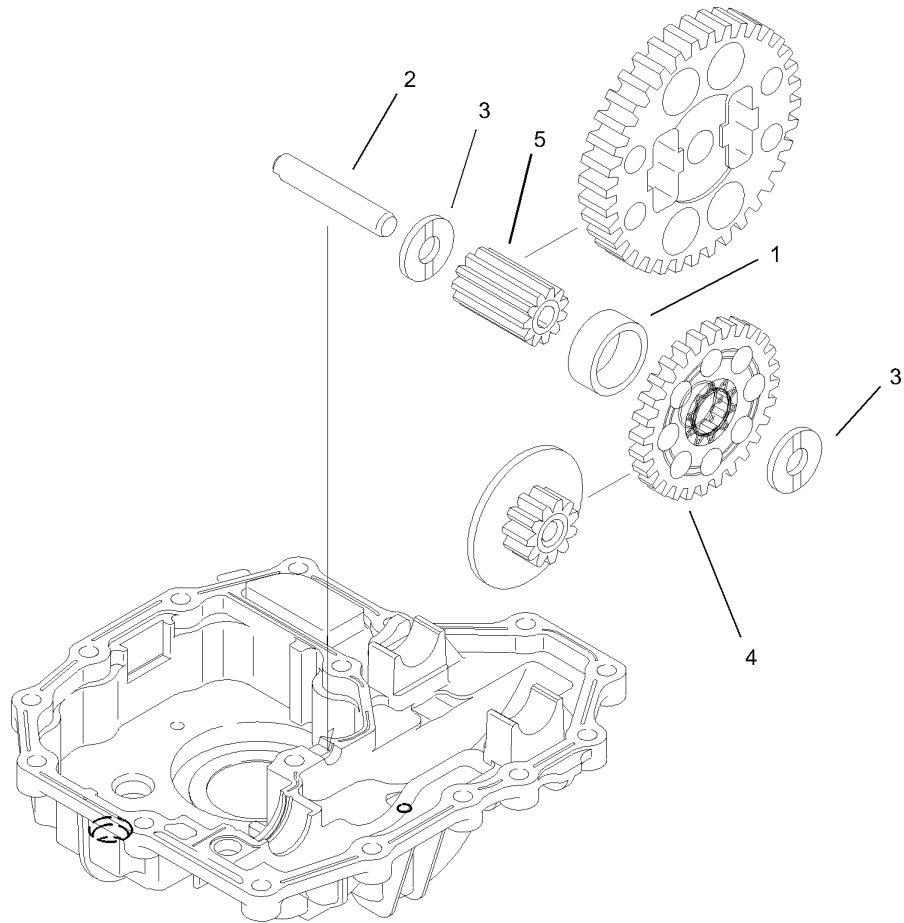




## Transaxle Case Assembly Transmission Assembly No. 104-2889

Ref	Part No.	Qty.	Description				
1	104-3251	1	Transaxle Case Set				
2	104-3252	1	Housing-Upper				
3	104-3253	1	Housing-Lower				
4	104-2914	1	Tank-Reservoir, With Cap				
5	104-3254	1	Tube				
6	104-3255	2	Clamp-Miniature				
7	104-3256	1	Valve-Vent, 15				
8	104-3257	1	Magnet				
9	104-3258	1	Holder-Magnet				
10	104-3259	1	Seal-Oil				
11	93-0396	1	Spring				
12	104-3260	1	Shaft-Bypass				
13	104-3261	1	Lever-Bypass				
14	104-3262	1	Ring				
15	104-3263	1	Plug-Bore				
16	93-0360	1	Ring				
17	104-3264	1	Pin				
18	104-3265	1	Pin				
19	93-0419	2	Packing				
20	93-0361	1	Seal				
21	93-0363	14	Screw-TAP				
22	104-3266	2	Screw-TAP				



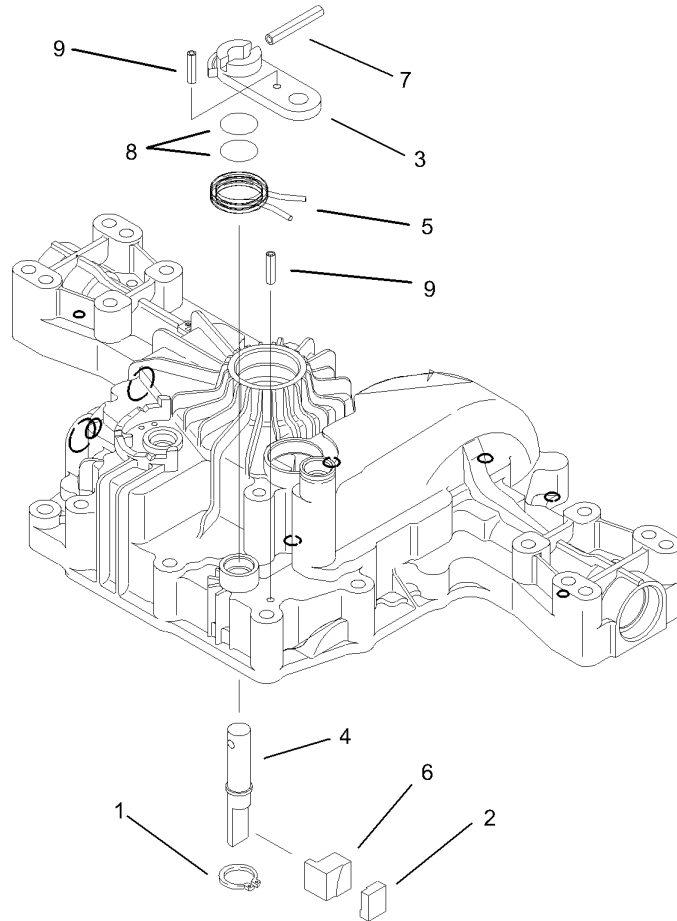


## Final Pinion Assembly Transmission Assembly No. 104-2889

Ref	Part No.	Qty.	Description
1	104-3302	1	Collar-Final Pinion
2	104-3303	1	Shaft-Reduction
3	104-3304	2	Washer
4	104-3305	1	Gear-Reduction
5	104-3306	1	Pinion-Final

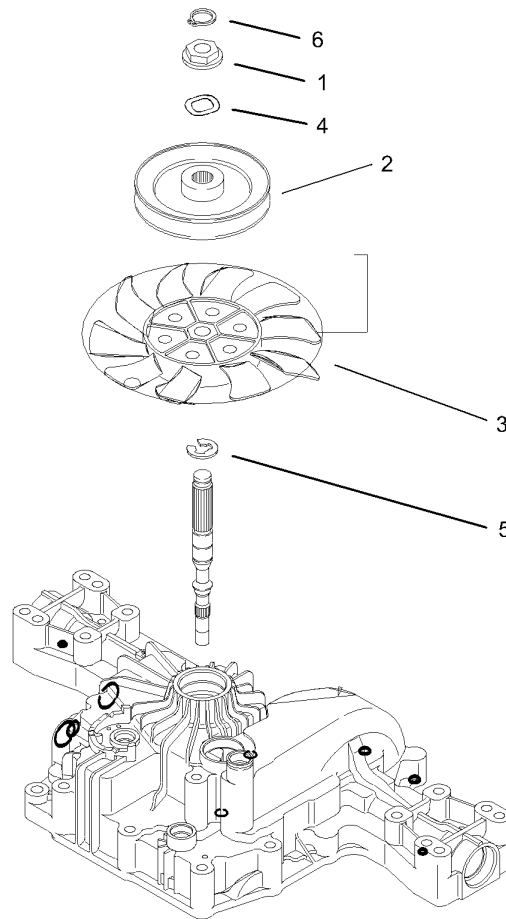
--	--	--	--





## Brake Assembly Transmission Assembly No. 104-2889

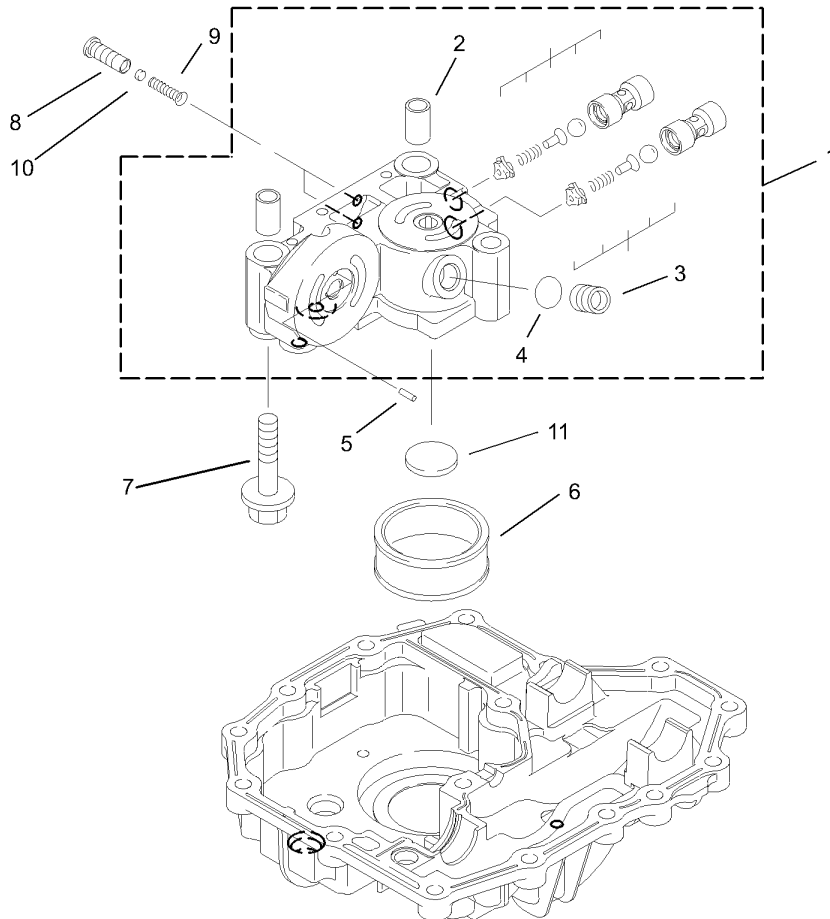
Ref	Part No.	Qty.	Description	
1	104-3313	1	Ring	
2	104-3314	1	Shoe-Brake	
3	104-3315	1	Arm-Brake	
4	104-3316	1	Shaft-Brake	
5	104-3317	1	Spring-Return, Brake	
6	104-3318	1	Actuator-Brake	
7	92-0767	1	Pin	
8	92-0786	2	O-Ring	
9	104-3319	2	Pin	



## Fan Pulley Assembly Transmission Assembly No. 104-2889

Ref	Part No.	Qty.	Description				
1	104-3320	1	Collar-Spline				
2	104-3197	1	Pulley-Transmission				
3	104-3199	1	Fan- Transmission				
4	104-3321	1	Washer-Lock				
5	93-0387	1	E-Ring				
6	104-3198	1	E-Ring				

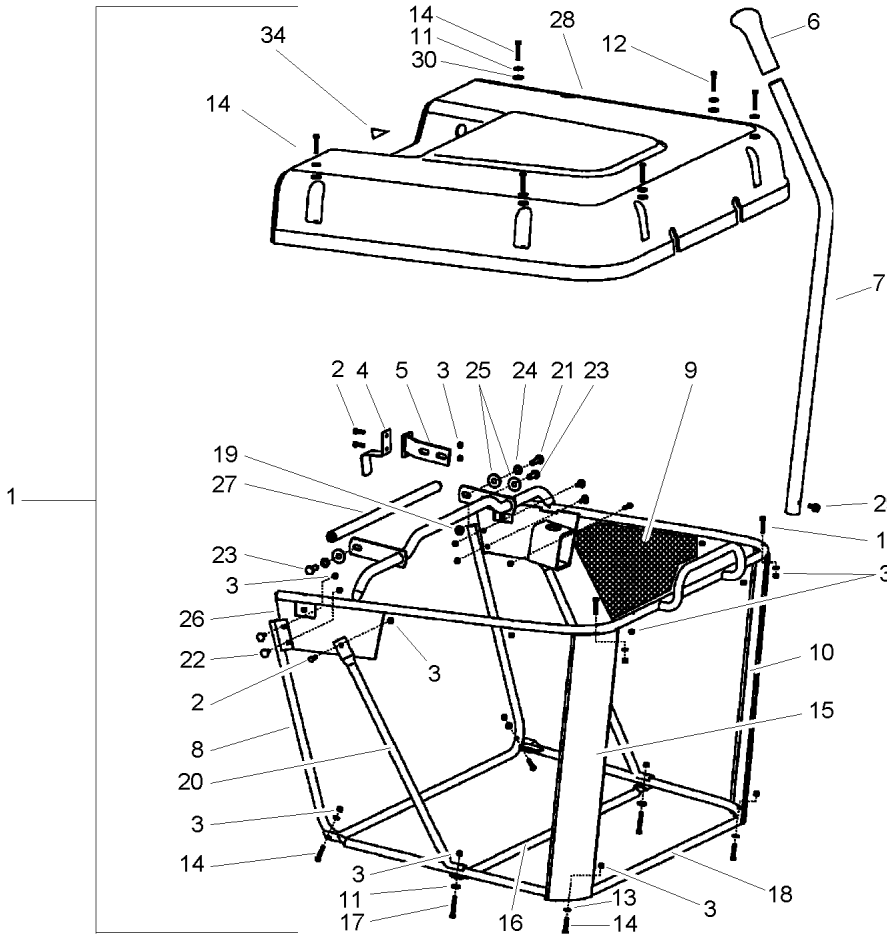




## Center Case Assembly Transmission Assembly No. 104-2889

Ref	Part No.	Qty.	Description				
1	104-3267	1	Case-Center				
2	104-3268	2	Pin-Knock				
3	104-3269	1	Plug				
4	93-0419	1	Packing				
5	104-3270	1	Pin				
6	104-3271	1	Filter				
7	104-3272	3	Bolt				
8	104-3273	2	Valve				
9	104-3274	2	Spring				
10	104-3275	2	Filter				
11	104-3257	1	Magnet				

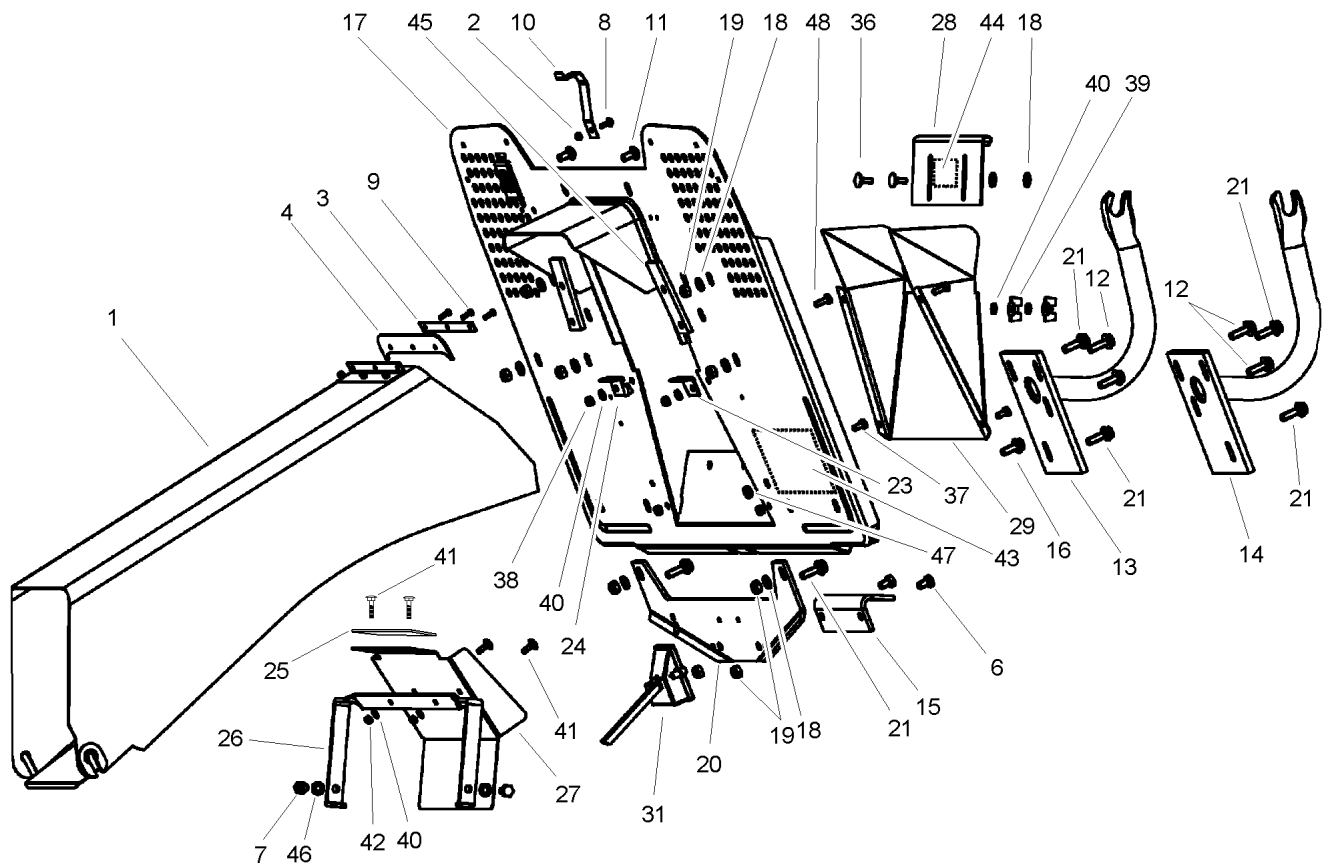




## Grass Collector Assembly

Ref	Part No.	Qty.	Description
1	106-5760	1	Collector ASM
2	60-6910	2	Screw
3	87-5140	22	Nut-Lock
4	104-3033	1	Spring-Coll, Interlock Switch
5	106-5761	1	Bracket-Spring
6	104-3035	1	Grip-Handle
7	107-8917	1	Lever-Dump
8	104-3037	1	Front Frame ASM
9	104-3038	1	Bag-Grass
10	104-3039	1	Support-Corner, Right
11	104-2943	8	Washer-Flat
12	87-5150	4	Bolt
13	52-6430	14	Washer
14	104-3041	10	Screw-Hex
15	104-3042	1	Support-Corner, Left
16	104-3043	1	Brace-Connecting
17	104-3044	2	Screw-Hex
18	104-3045	1	Bottom Frame ASM
19	33024-00	1	Nut-Lock
20	104-3046	2	Brace
21	33114-025	1	Screw-HH
22	104-2948	4	Bolt-Carriage
23	33114-020	2	Screw-HH
24	42-9850	2	Washer-Lock, Spring

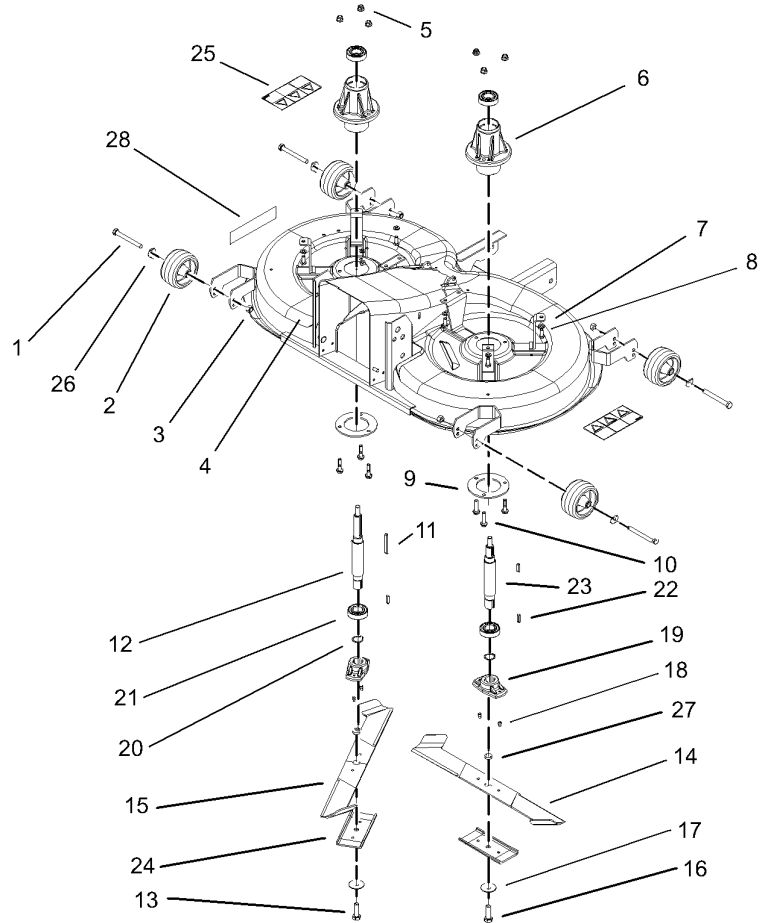
Ref	Part No.	Qty.	Description
25	104-2946	4	Washer-Plain
26	104-3047	1	Top Frame ASM
27	104-3048	1	Handle-Lift
28	106-5762	1	Cover-Collector
29	106-5763	1	Screw
30	104-2952	6	Washer-Rubber
34	104-3242	1	Decal-Bag To Frame



## Collector Assembly

Ref	Part No.	Qty.	Description
1	106-8562	1	Tunnel
2	104-2985	4	Nut-Hex
3	104-3055	1	Plate-Support
4	104-3056	1	Seal-Rubber
6	33114-020	2	Screw-HH
7	68-9410	2	Screw-Flange
8	104-2983	1	Screw
9	104-3058	3	Screw-SFH
10	104-3059	1	Cover-Switch
11	104-3060	2	Bolt-Carriage
12	104-3061	4	Screw
13	104-3062	1	Support-Collector, Right
14	104-3063	1	Support-Collector, Left
15	104-3064	1	Hitch-Tow
16	104-3065	6	Screw-Hex
17	104-3066	1	Collector Plate ASM
18	33095-00	9	Washer-Flat
19	33024-00	9	Nut-Lock
20	104-3067	1	Support-Hitch, Tow
21	104-3068	5	Screw-Hex
23	106-8597	1	Support-Tunnel, Left
24	106-8598	1	Support-Tunnel, Right
25	106-8599	1	Shield-Rubber
26	104-3069	1	Bracket-Shield, Protective

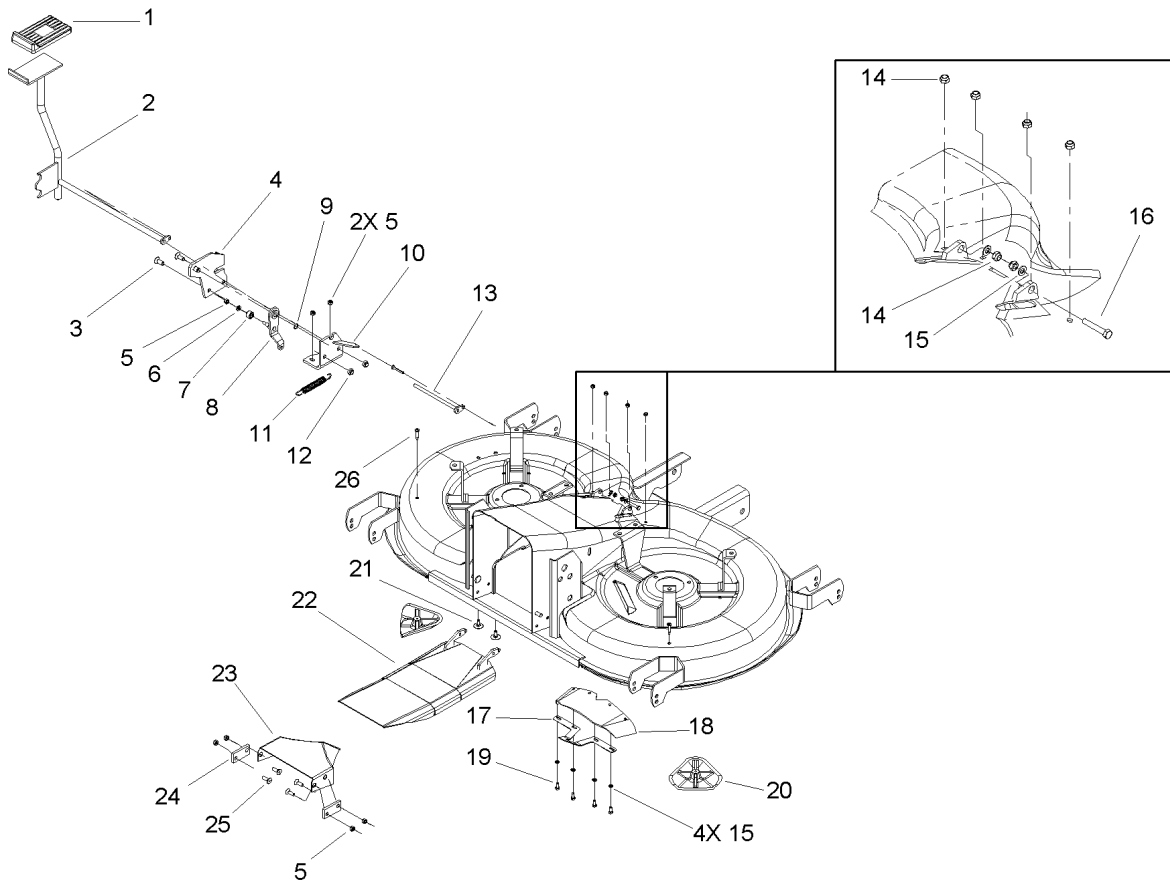
Ref	Part No.	Qty.	Description
27	104-3070	1	Shield-Protective
28	104-3336	1	Shield-Adjustable
29	104-3335	1	Hopper-Receiving
31	104-3074	1	Overload Switch ASM
36	104-2961	2	Screw
37	33113-012	2	Screw-HH
38	33023-00	4	Nut-Lock
39	32103-28	2	Nut-Wing
40	33093-00	4	Washer-Flat
41	104-2948	4	Bolt-Carriage
42	87-5140	4	Nut-Lock
43	104-3243	1	Decal-Bypass, Hydro
44	104-2853	1	Decal-Position, Bagging
45	104-3347	2	Plate-Reinforcing
46	104-3348	2	Washer-Spring
47	106-5772	1	Bushing
48	106-8575	2	Screw-HH



### Cutting Pan, Mower Housing Assembly

Ref	Part No.	Qty.	Description
1	33115-090	4	Screw-HH
2	104-3080	4	Wheel-Gauge
3	33025-00	4	Nut-Lock
4	106-8564	1	Mower Housing ASM
5	104-3082	6	Nut-Lock, HF
6	104-3083	2	Housing-Quill
7	33094-00	8	Washer-Plain
8	33114-020	8	Screw-HH
9	104-3084	2	Support-Ring
10	104-3085	6	Bolt-HHF
11	104-3086	1	Key
12	106-8565	1	Shaft-Blade, Left
13	106-5797	1	Bolt-HH, Blade
14	106-8557	1	Blade-RH
15	106-8558	1	Blade-LH
16	106-5798	1	Bolt-Blade, HH
17	106-6532	2	Washer-Blade
18	104-3093	4	Pin-Shear, Grooved
19	106-4185	2	Adapter-Blade
20	104-3095	2	Ring-Locking
21	104-6325	4	Bearing-Ball
22	104-3097	3	Key-Square
23	106-8566	1	Shaft-Blade, Right
24	106-6533	2	Stiffener-Blade

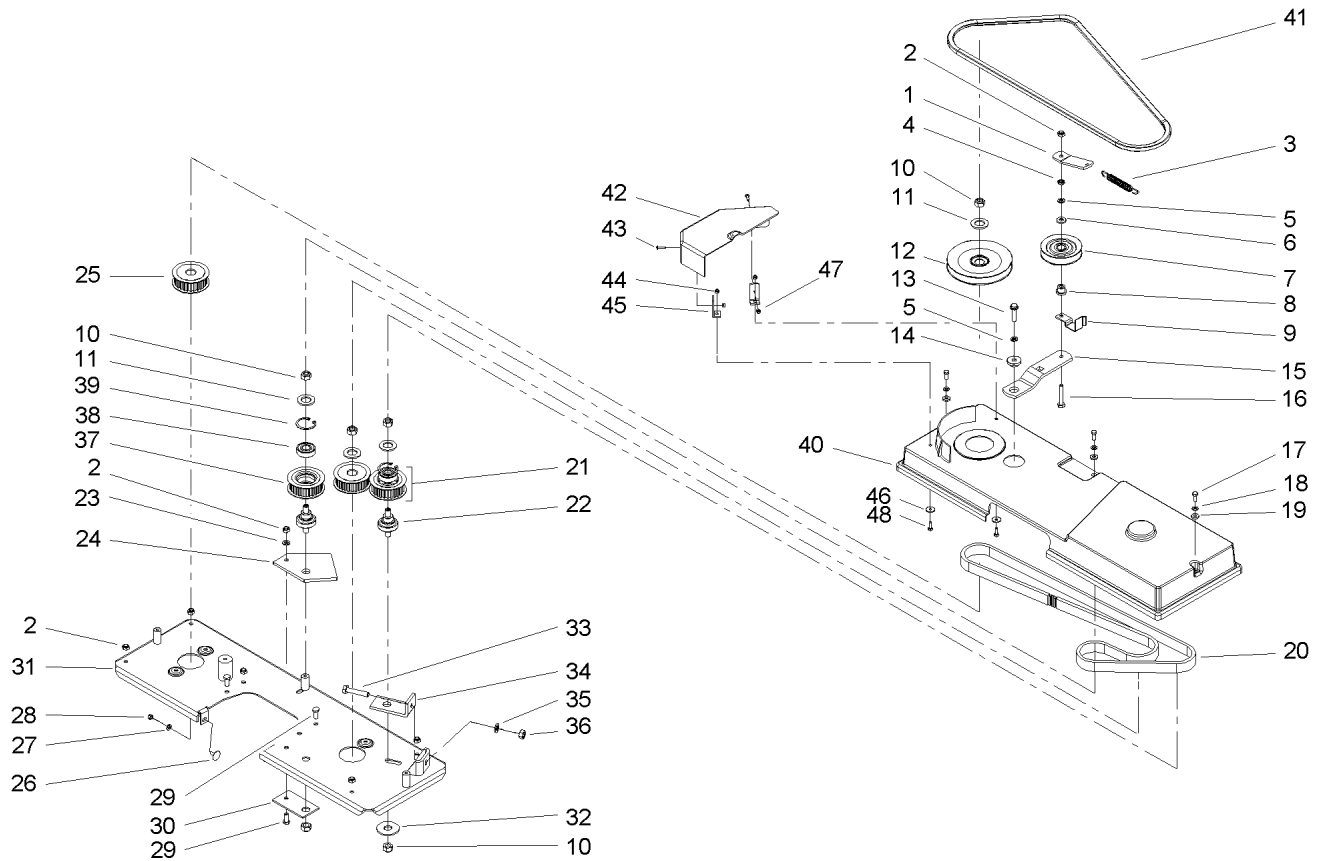
Ref	Part No.	Qty.	Description
25	93-7824	2	Decal-Danger
26	106-5767	4	Washer
27	106-6530	2	Spacer
28	106-8563	1	Decal-Recycler



### Cutting Pan, Bag on Demand Assembly

Ref	Part No.	Qty.	Description
1	106-8583	1	Cover-Lever, Foot
2	106-8582	1	Lever-Foot
3	100-8159	2	Screw-HSFH
4	106-8578	1	Plate-Stop
5	33023-00	7	Nut-Lock
6	33093-00	1	Washer-Flat
7	106-8581	1	Roller
8	106-8579	1	Lever-Spring
9	106-8592	1	Ring-Locking
10	106-8577	1	Bracket-Mounting
11	106-8580	1	Spring
12	48-9510	2	Nut
13	106-8585	1	Rod-Door, Mulch
14	87-5140	6	Nut-Lock
15	52-6430	6	Washer
16	87-5150	2	Bolt
17	106-8567	2	Guide
18	106-8586	1	Gasket-Door, Mulch
19	106-8575	4	Screw-HH
20	106-8587	1	Kicker
21	33123-016	2	Screw-CARR
22	106-8584	1	Door-Mulch
23	106-8573	1	Baffle-Center
24	106-8572	2	Plate-Baffel, Center

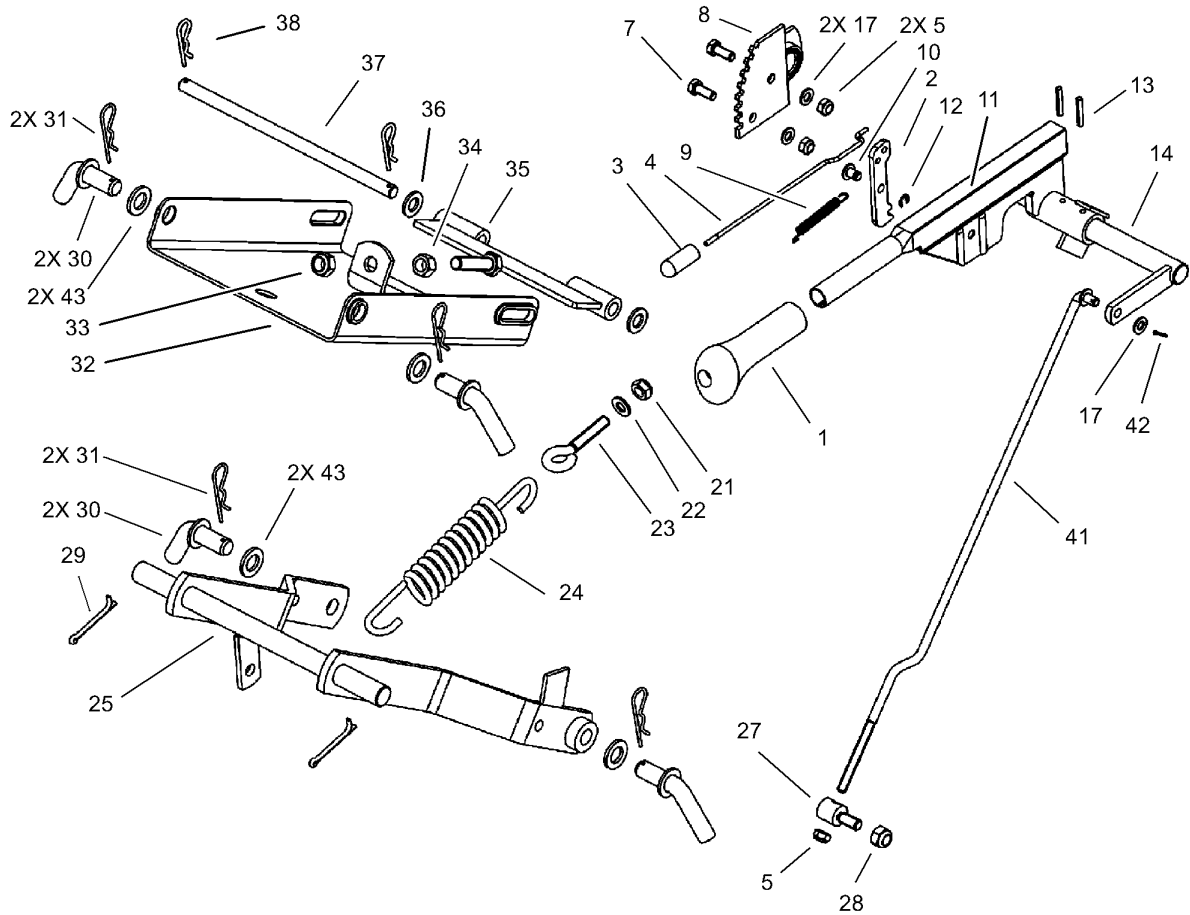
Ref	Part No.	Qty.	Description
25	106-8574	4	Screw
26	104-1451	2	Screw-TAP, PPH



## Cutting Pan and Drive System Assembly

Ref	Part No.	Qty.	Description
1	104-3099	1	Lever-Engagement
2	48-9510	8	Nut
3	104-3101	1	Spring
4	57-6390	1	Nut-Jam
5	42-9850	2	Washer-Lock, Spring
6	106-8588	1	Washer-Flat
7	104-3103	1	Pulley-Idler
8	104-3104	1	Bushing
9	104-3105	1	Retainer-Belt
10	48-9540	6	Nut-Lock, Hex NI
11	33099-00	4	Washer-Flat
12	104-3107	1	Pulley-Drive
13	104-3085	1	Bolt-HHF
14	104-3108	1	Spacer-Shoulder
15	104-3109	1	Arm-Idler
16	33114-050	1	Screw-HH
17	33113-016	3	Screw-HH
18	106-8568	3	Washer-Flat
19	83-7420	3	Washer-Rubber
20	106-8591	1	Belt-Cog
21	104-3113	2	Cog Pulley ASM
22	104-3114	2	Pin-Pulley, Cog
23	33094-00	1	Washer-Plain
24	104-3115	1	Support-Pulley

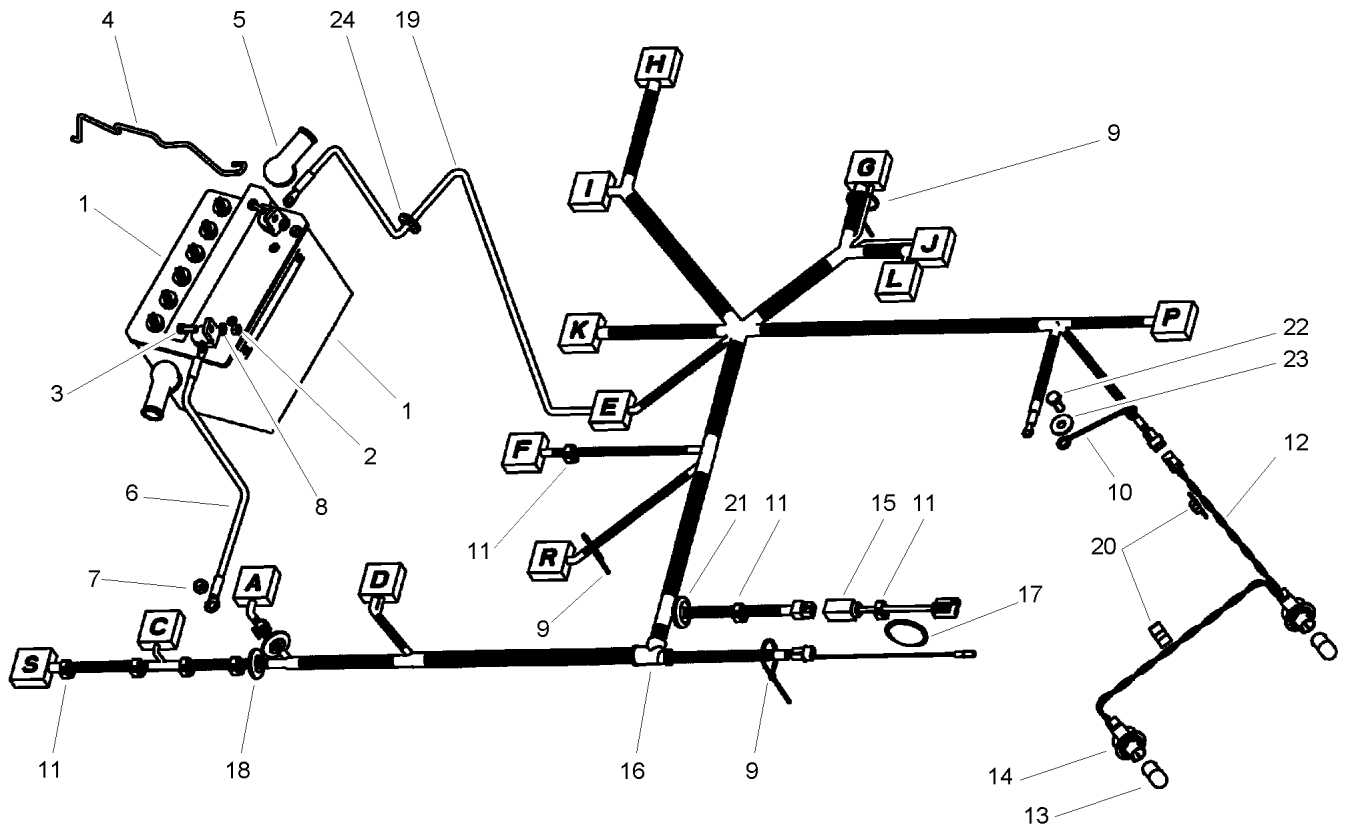
Ref	Part No.	Qty.	Description
25	104-3116	2	Pulley-Cog, Drive
26	33123-016	2	Screw-CARR
27	33093-00	2	Washer-Flat
28	33023-00	2	Nut-Lock
29	33114-025	3	Screw-HH
30	104-3117	1	Plate-Anchor
31	106-8590	1	Blade-Drive Plate
32	104-2909	1	Washer
33	33115-050	1	Screw-HH
34	104-3120	1	Bracket-Idler
35	33095-00	1	Washer-Flat
36	48-9520	1	Nut
37	104-3121	1	Pulley-Cog
38	100-1048	1	Bearing-Ball
39	104-3123	1	Ring-Locking
40	106-8589	1	Belt-Cover
41	104-3126	1	V-Belt
42	107-8941	1	Guard-Belt
43	60-6910	2	Screw
44	87-5140	2	Nut-Lock
45	107-8940	2	Bracket
46	3256-61	4	Washer-Flat
47	46-0430	2	Nut-Lock
48	107-8918	2	Screw



## Mower Lift Assembly

Ref	Part No.	Qty.	Description
1	104-3129	1	Grip-Handle
2	104-3130	1	Ratchet-Plate, Pivot
3	104-3131	1	Button-Plunger
4	104-3132	1	Rod-Connection
5	33024-00	3	Nut-Lock
7	33114-020	2	Screw-HH
8	104-3133	1	Segment-Gear
9	104-3134	1	Spring
10	104-3135	1	Pin-Arm Lever
11	104-3136	1	Lever-Arm, Height Adj.
12	104-3137	1	Clip-Pin
13	104-2994	2	Pin-Spring
14	104-3138	1	Shaft-Height Adj.
17	33094-00	3	Washer-Plain
21	33025-00	1	Nut-Lock
22	33095-00	1	Washer-Flat
23	104-3139	1	Bolt-Eye
24	104-3140	1	Spring-Lift
25	104-3141	1	Pivot Arm ASM
27	104-3142	1	Pin-Lifting
28	33025-00	1	Nut-Lock
29	104-3016	2	Pin-Cotter
30	104-3143	4	Pin-Bent
31	104-3144	4	Pin-Hair

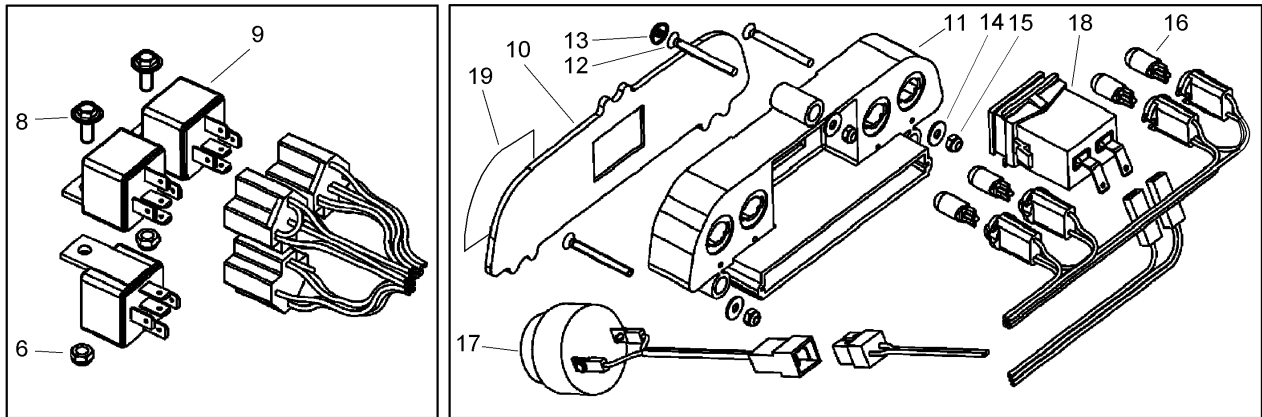
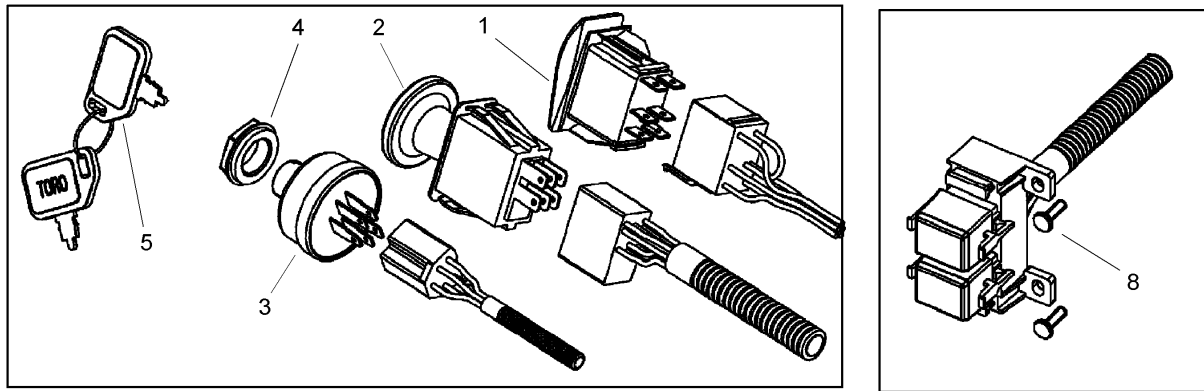
Ref	Part No.	Qty.	Description
32	104-3145	1	Suspension-Mower Deck, Front
33	33026-00	1	Nut-Lock
34	33016-00	1	Nut-Hex
35	104-3146	1	Holder-Front
36	104-3124	2	Washer-Flat
37	104-3147	1	Pin
38	104-3148	2	Clip-Hair Pin
41	104-3149	1	Rod-Height Adj.
42	104-3151	1	Pin-Cotter
43	34-9270	4	Washer-Hose



## Electrical Assembly

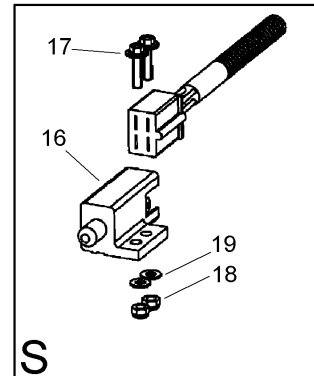
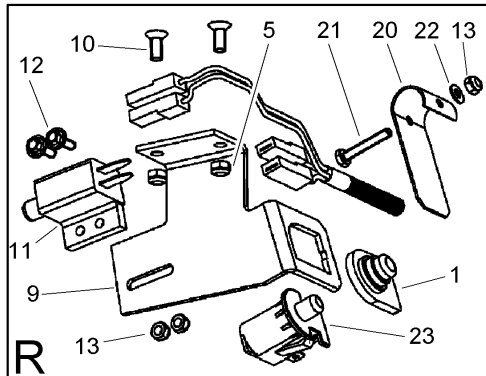
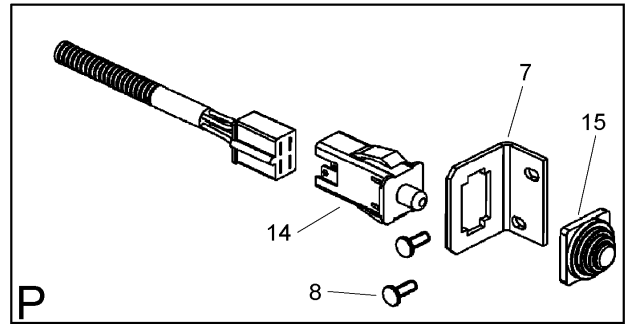
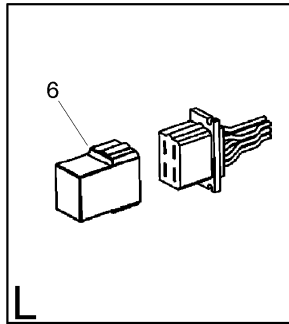
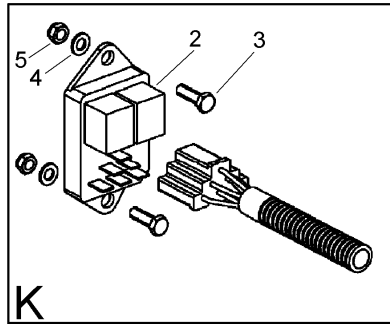
Ref	Part No.	Qty.	Description
1	104-3152	1	Battery-12V
2	33013-00	2	Nut-Hex
3	33113-016	2	Screw-HH
4	104-3153	1	Clamp-Battery
5	104-3154	2	Boot-Rubber
6	104-3155	1	Cable-Battery, Negative
7	33024-00	1	Nut-Lock
8	33093-00	2	Washer-Flat
9	3334-945	3	Tie-Cable
10	104-3156	1	Holder- Harness, Wiring
11	104-3157	10	Clip-Snap
12	88-4320	1	Harness-Wire, Lights
13	104-3158	2	Bulb-Light
14	104-3159	2	Socket-Light
15	104-3160	1	Harness-Clutch
16	104-3340	1	Harness-Wiring,
17	104-3163	1	Cap
18	104-3165	2	Bushing
19	104-3166	1	Cable-Battery Positive
20	104-3167	2	Clip-Nylon
21	104-3168	1	Bushing
22	33114-020	1	Screw-HH
23	33094-00	1	Washer-Plain
24	107-8950	1	Grommet



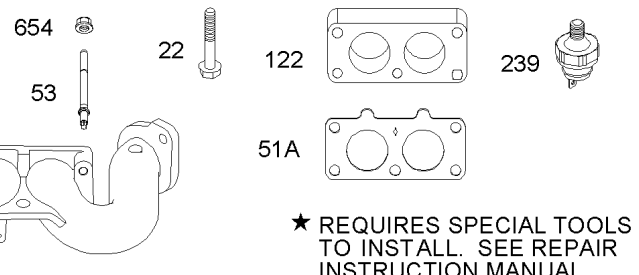
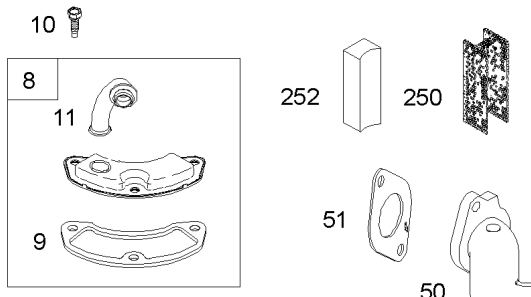
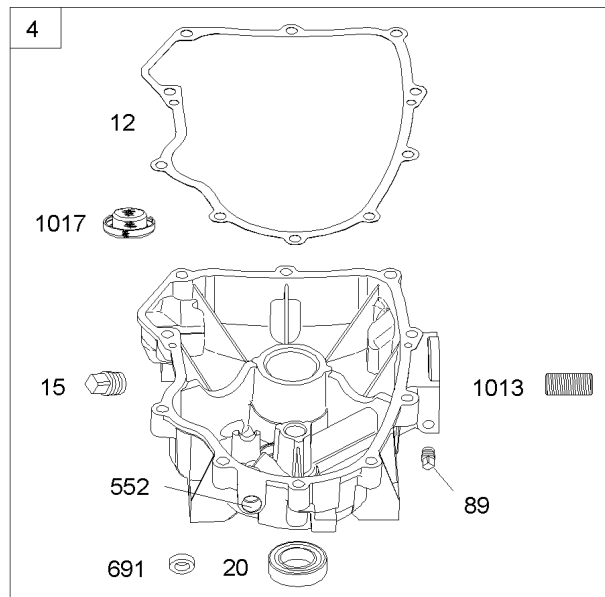
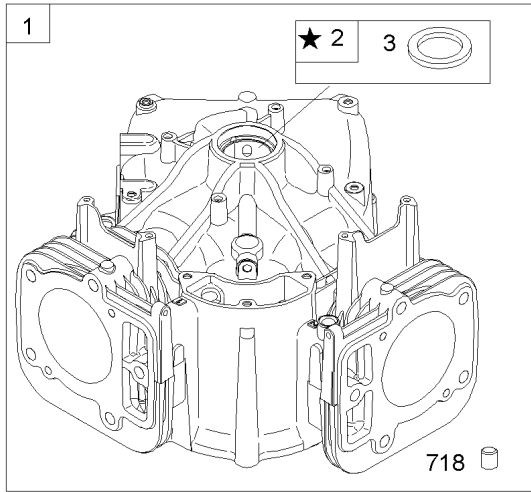
## Electrical Switch Assembly No. 2

Ref	Part No.	Qty.	Description
1	93-0527	1	Switch-Cruise
2	93-9998	1	Switch-PTO
3	92-6785	1	Switch-Ignition
4	104-3172	1	Nut-Hex
5	62-7770	2	Key-Ignition
6	87-5140	2	Nut-Lock
8	104-2978	4	Screw-Hex
9	104-3173	3	Relay
10	92-6705	1	Lens-Dash
11	92-6732	1	Housing-Light, Indicator
12	104-3191	3	Screw
13	104-3174	3	Screw-Cap
14	104-3175	3	Washer
15	104-2985	3	Nut-Hex
16	104-3176	4	Bulb
17	104-3177	1	Buzzer
18	94-4208	1	Hourmeter
19	104-2854	1	Decal-Dash

### Electrical Switch Assembly No. 3

Ref	Part No.	Qty.	Description
1	104-3178	1	Cover-Protective
2	99-3701	1	Module-Clutch
3	60-6910	2	Screw
4	52-6430	2	Washer
5	87-5140	4	Nut-Lock
6	104-3169	1	Circuit-Memory
7	104-3333	1	Holder-Switch
8	104-3190	2	Screw
9	104-3332	1	Holder-Switch
10	104-2980	2	Screw
11	95-1653	1	Switch-Pole, Single
12	104-2983	2	Screw
13	104-2985	3	Nut-Hex
14	104-3338	1	Switch-Delta
15	104-3339	1	Cover-Switch
16	104-3330	1	Switch-Delta
17	104-3331	2	Bolt
18	46-0430	2	Nut-Lock
19	52-6430	2	Washer
20	106-5765	1	Lever-Spring
21	104-3009	1	Screw-Hex
22	106-5766	1	Washer
23	104-3179	1	Switch-Delta

1058 OWNER'S MANUAL

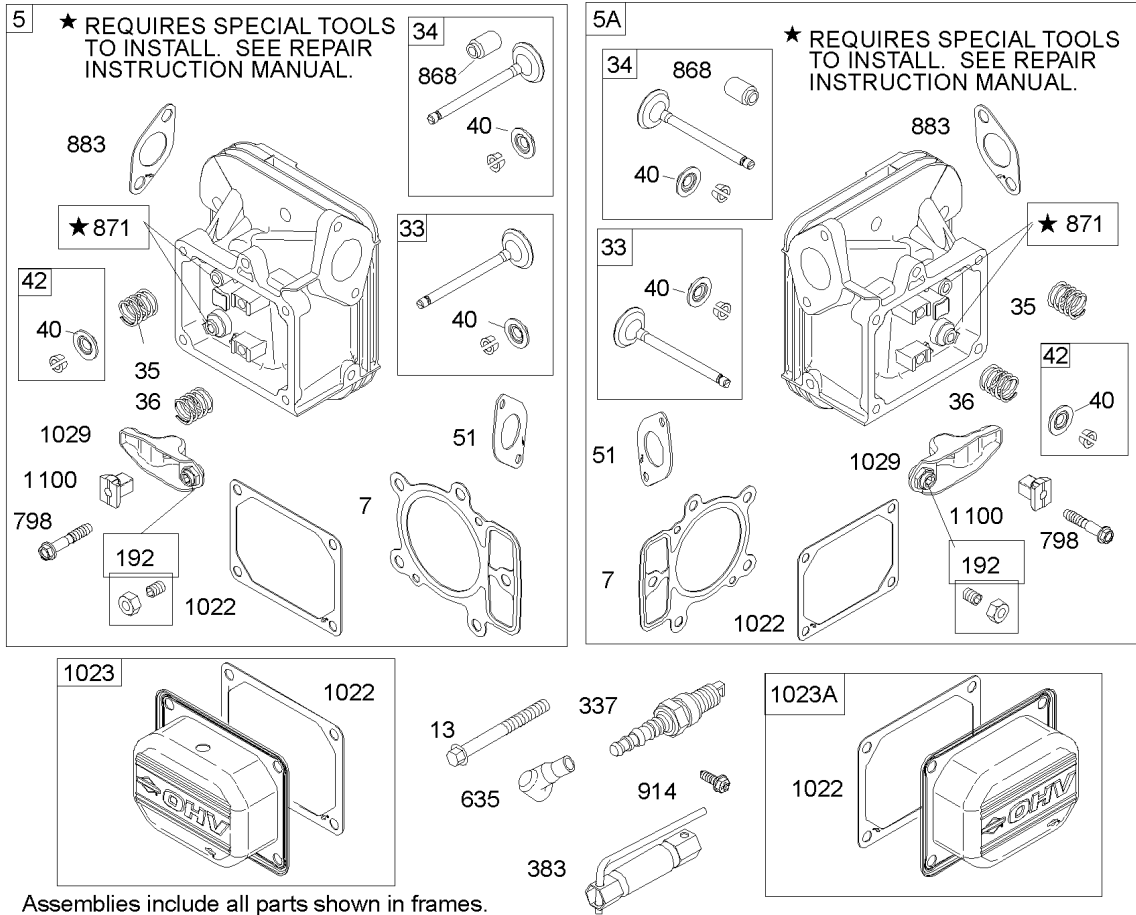
★ REQUIRES SPECIAL TOOLS TO INSTALL. SEE REPAIR INSTRUCTION MANUAL.

Assemblies include all parts shown in frames.

## Cylinder Assembly Briggs and Stratton 406777-0157-E1

Ref	Part No.	Qty.	Description
⑦1	690231	1	Cylinder Assembly
⑦2	499585	1	Bushing And Seal Kit
④⑦3	391086	1	Seal-Oil
⑦4	690069	1	Sump-Engine
⑦8	499601	1	Breather ASM
④⑦9	273370	1	Gasket-Breather
⑦10	690960	1	Screw
⑦11	690942	1	Tube-Breather
④⑦12	273488	1	Gasket-Crankcase
⑦15	94239	1	Plug-Pipe
④⑦20	690947	1	Seal-Oil
⑦22	690308	1	Screw (Crankcase Cover/Sump)
⑦50	690948	1	Manifold-Intake
③④⑤1	273487	1	Gasket-Intake
④⑤⑥⑦51A	690950	1	Gasket-Intake
⑦53	690951	1	Stud
⑦54	94913	1	Screw-Torx Hex
⑦89	690283	1	Plug-Oil
⑦122	690952	1	Spacer-Carburetor
⑦239	491657	1	Switch-Oil Pressure
⑦250	690957	1	Retainer-Breather
⑦252	690956	1	Collector-Oil

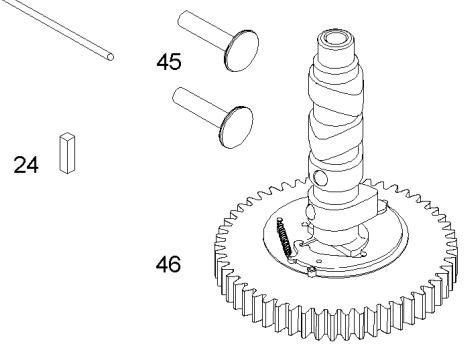
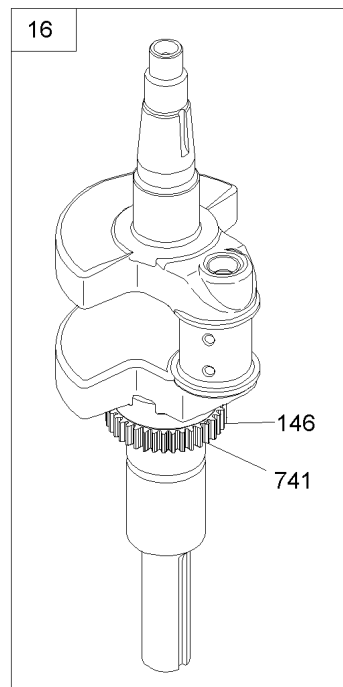
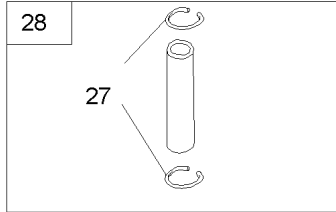
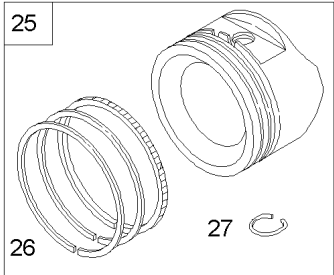
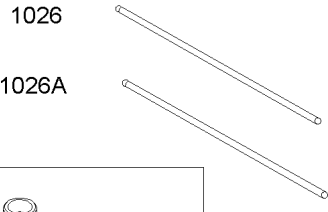
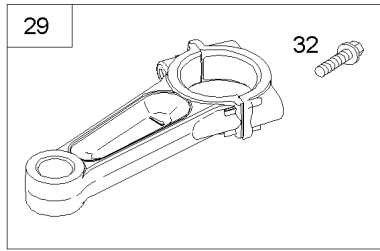
Ref	Part No.	Qty.	Description
⑦552	690552	1	Bushing-Crank, Governor
⑦654	94010	1	Nut
④⑦691	690657	1	Seal-Shaft, Governor
⑦718	230192	1	Pin-Dowel
⑦1013	690954	1	Nipple-Filter, Oil
⑦1017	690770	1	Screen-Pump, Oil
⑦1058	274277	1	Owner-S Manual



## Cylinder Head Assembly Briggs and Stratton 406777-0157-E1

Ref	Part No.	Qty.	Description
75	499587	1	Head-Cylinder(Cylinder #1)
75A	499595	1	Head-Cylinder (Cylinder #2)
347	690962	1	Gasket-Head, Cylinder
7			
713	690360	1	Screw
733	499596	1	Valve-Exhaust
734	499597	1	Valve-Intake
735	690963	1	Spring-Valve
736	690963	1	Spring-Valve
740	263215	1	Retainer-Valve
742	499586	1	Keeper-Valve
3451	273487	1	Gasket-Intake
57			
7192	690083	1	Adjuster-Arm, Rocker
7337	691043	1	Spark Plug
7383	19374	1	Wrench-Spark Plug
7635	66538	1	Boot-Plug, Spark
7798	690967	1	Screw (Rocker Arm)
34868	690968	1	Seal-Valve
7			
7871	690969	1	Bushing-Valve Guide
34883	690970	1	Gasket-Exhaust
7			
7914	690960	1	Screw
341022	273486	1	Gasket-Rocker Cover
7			

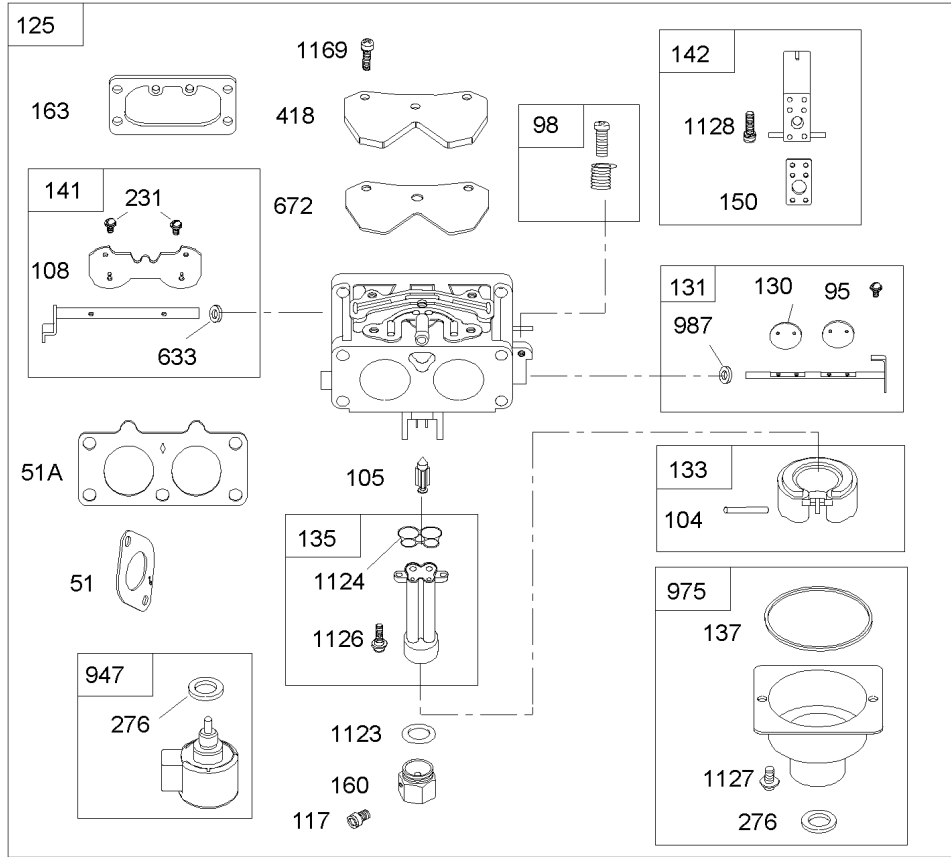
Ref	Part No.	Qty.	Description
71023	499599	1	Cover-Rocker
71023A	499600	1	Cover-Arm, Rocker
71029	690972	1	Arm-Rocker
71100	690973	1	Pivot-Arm, Rocker



Assemblies include all parts shown in frames.

## Crankshaft Assembly Briggs and Stratton 406777-0157-E1

Ref	Part No.	Qty.	Description
16	691046	1	Crankshaft
24	222698	1	Key
25	499588	1	Piston ASM (Standard)
25	499589	1	Piston Assembly (.010 Oversize)
25	499590	1	Piston ASM (.020In Oversize)
25	499591	1	Piston Assembly (.030 Oversize)
26	499604	1	Ring Set (Standard)
26	499605	1	Ring Set (.010 Oversize)(Connecting Rod)
27	263181	1	Lock-Piston Pin
28	690229	1	Pin-Piston (STD)
29	499583	1	Connecting Rod (Standard)
32	690976	1	Screw
45	262679	1	Tappet-Valve
46	690978	1	Camshaft
146	94388	1	Key-Timing
741	690980	1	Gear-Timing
1026	690981	1	Rod-Push (Steel)
1026A	690982	1	Rod-Push (Aluminum)

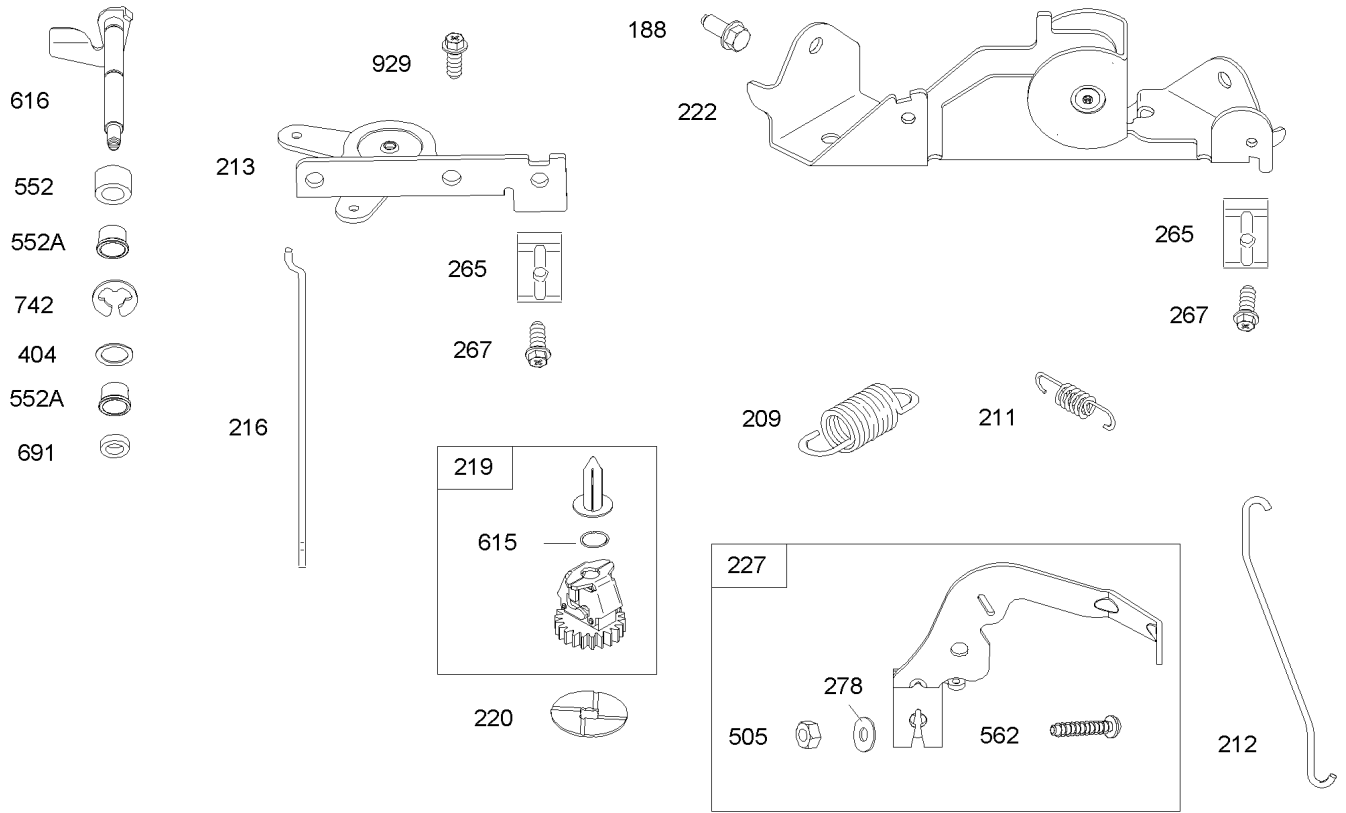
Assemblies include all parts shown in frames.

## Carburetor Assembly Briggs and Stratton 406777-0157-E1

Ref	Part No.	Qty.	Description
⑤④⑤1	273487	1	Gasket-Intake
⑤⑦			
④⑤⑤1A	690950	1	Gasket-Intake
⑥⑦			
⑦95	690718	1	Screw
⑦98	499802	1	Idle Speed Kit
⑤⑦104	690984	1	Guard-Muffler
⑤⑦105	690985	1	Valve-Float, Needle
⑦108	690986	1	Valve-Choke
⑤⑦117	690232	1	Jet-Main
⑦	690989	1	Jet-Main(High Altitude)
⑦125	499804	1	Carburetor
⑦130	690993	1	Valve-Throttle
⑦131	499805	1	Throttle Shaft Kit
⑦133	499806	1	Float-Carburetor
⑦135	499803	1	Tube-Fuel Transfer
⑤⑥137	690994	1	Gasket-Bowl, Float
⑦			
⑦141	499807	1	Kit-Choke Shaft
⑦142	D499808	1	Nozzle-Carburetor
⑤⑥150	690995	1	Gasket-Nozzle
⑦			
⑦160	690996	1	Retainer-Solenoid
⑤④163	273640	1	Gasket-Air Cleaner
⑦			
⑦231	690718	1	Screw

Ref	Part No.	Qty.	Description
⑤⑥276	690997	1	Washer-Sealing
⑦			
⑦418	690999	1	Plate-Cover, Carburetor
⑤⑥633	690998	1	Seal-Shaft, Choke
⑦			
⑤⑥672	690234	1	Gasket-Cover Plate, Carburetor
⑦			
⑦947	499809	1	Solenoid-Fuel
⑦975	499810	1	Bowl-Float
⑤⑥987	691000	1	Seal-Shaft, Throttle
⑦			
⑤⑥1123	690987	1	O-Ring Seal (Solenoid Retainer)
⑦			
⑤⑥1124	690988	1	Seal-O Ring
⑦			
⑦1126	690991	1	Screw
⑦1127	690992	1	Screw (Float Bowl)
⑤⑦1128	690990	1	Screw
⑤⑦1169	690990	1	Screw





Assemblies include all parts shown in frames.

## Governor Assembly Briggs and Stratton 406777-0157-E1

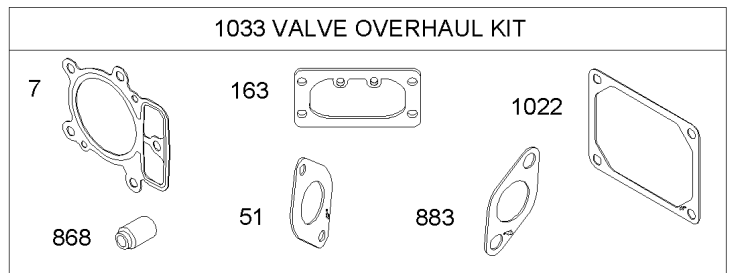
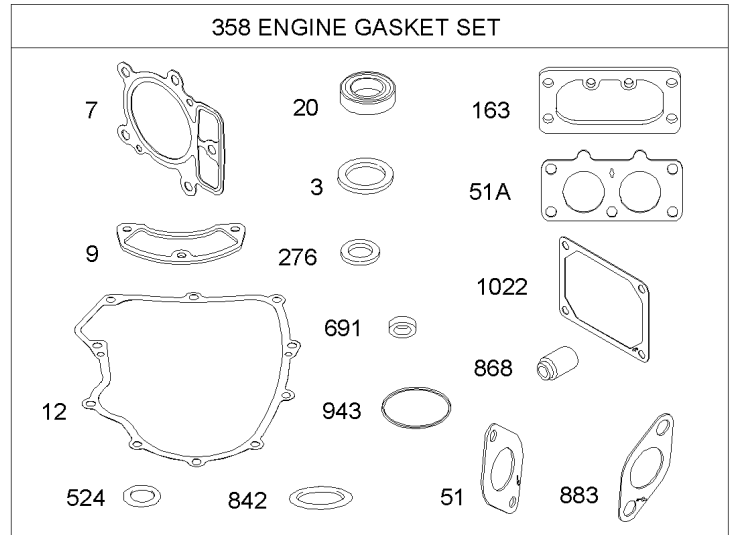
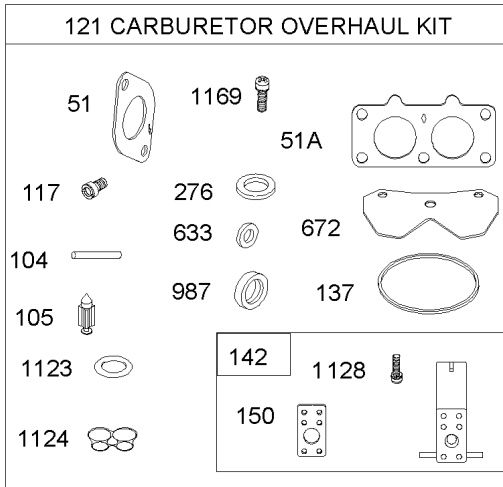
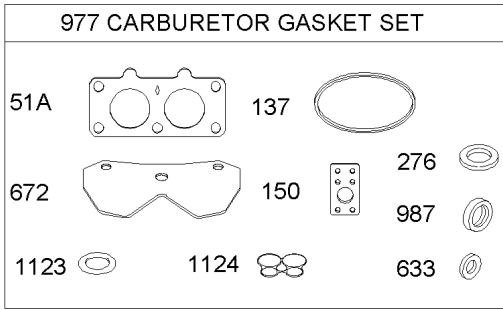
Ref	Part No.	Qty.	Description
188	690960	1	Screw
209	691018	1	Spring-Governor
211	691019	1	Spring-Idle, Governed
212	691020	1	Link-Throttle
213	691021	1	Bracket-Control, Choke
216	691022	1	Link-Choke
219	394348	1	Gear-Governor
220	690412	1	Washer
222	691023	1	Bracket-Control
227	691048	1	Lever-Control, Governor
265	221535	1	Clamp-Casing
267	691044	1	Screw
278	94942	1	Washer (Governor Control Lever)
404	690442	1	Washer
505	92278	1	Nut-Hex
552	690552	1	Bushing-Crank, Governor
552A	690553	1	Bushing-Crank, Governor
562	690311	1	Bolt
615	690317	1	Retainer-Shaft, Governor
616	691045	1	Crank-Governor
691	690657	1	Seal-Shaft, Governor
742	690328	1	Retainer-E Ring
929	94930	1	Screw-Hex

--	--	--	--









Assemblies include all parts shown in frames.

## Gasket Kit Assembly Briggs and Stratton 406777-0157-E1

Ref	Part No.	Qty.	Description
473	391086	1	Seal-Oil
347	690962	1	Gasket-Head, Cylinder
7			
479	273370	1	Gasket-Breather
4712	273488	1	Gasket-Crankcase
4720	690947	1	Seal-Oil
3451	273487	1	Gasket-Intake
57			
4551A	690950	1	Gasket-Intake
67			
57104	690984	1	Guard-Muffler
57105	690985	1	Valve-Float, Needle
57117	690232	1	Jet-Main
7121	499811	1	Carburetor Overhaul Kit
56137	690994	1	Gasket-Bowl, Float
7			
57142	499808	1	Nozzle-Carburetor
56150	690995	1	Gasket-Nozzle
7			
34163	273640	1	Gasket-Air Cleaner
7			
45276	690997	1	Washer-Sealing
67			
7358	499889	1	Engine Gasket Set
47524	691032	1	Seal-O Ring
56633	690998	1	Seal-Shaft, Choke
7			

Ref	Part No.	Qty.	Description
57672	690234	1	Gasket-Cover Plate, Carburetor
47691	690657	1	Seal-Shaft, Governor
47842	280393	1	O-Ring Seal
34868	690968	1	Seal-Valve
7			
34883	690970	1	Gasket-Exhaust
7			
7943	690589	1	Seal-O Ring
7977	499812	1	Carburetor Gasket Set
56987	691000	1	Seal-Shaft, Throttle
7			
471022	273486	1	Gasket-Rocker Cover
71033	499890	1	Valve Overhaul Kit
561123	690987	1	O-Ring Seal (Solenoid Retainer)
7			
561124	690988	1	Seal-O Ring
7			
571128	690990	1	Screw
571169	690990	1	Screw

## NOTES

# NOTES

# NOTES

