



## DH 200 Lawn Tractor

Model No. 74571 - 260000001 and up.

### Parts Catalog

---

#### **Ordering Replacement Parts**

To order replacement parts, please supply the part number, the quantity, and the description of each part desired.

#### **Understanding Reference Numbers**

Each identified part in an illustration has a reference number. The reference number for a part also appears in the parts list, along with other information about the part.

This catalog uses two special reference number formats, one to indicate parts in a service assembly and another to indicate the quantity of a given part in an illustration.

#### **Service Assembly Reference Numbers**

Parts in service assemblies have reference numbers in the form a:b. The a represents the reference number of the entire service assembly and the b represents a sequential number unique to each part within the service assembly.

For example, a wheel assembly might be identified by reference number 6, the tire by 6:1, the valve by 6:2, and the wheel by 6:3. When you order the assembly identified by reference number 6, you receive all parts identified by reference numbers 6:1, 6:2, and 6:3. However, you may also order any part individually. Reference numbers of this type appear in illustrations and in part lists.

#### **Reference Numbers Indicating Quantity**

In an illustration, if a reference number indicates more than one part, the reference number has the form nX y. The n represents the quantity of the part, the X is the multiplication symbol, and the y represents the reference number.

For example, in an illustration, the reference number 2X 37 means that two of the parts identified by reference number 37 are indicated.

# Contents

<b>Description</b>	<b>Page</b>	<b>Description</b>	<b>Page</b>
Frame and Seat Assembly	..... 4	Motor Shaft Assembly Transmission	
Front Axle Assembly	..... 6	Assembly No. 104-2889	..... 23
Steering Assembly	..... 7	Transaxle Case Assembly Transmission	
Body and Hood Assembly	..... 8	Assembly No. 104-2889	..... 24
Engine, Muffler and Fuel Tank Assembly	..... 9	Grass Collector Assembly No. 106-5760	..... 25
Operation, Brake and Bypass Assembly	..... 10	Collector Assembly	..... 26
Operation and Travel Pedal Assembly	..... 11	Cutting Pan and Mower Housing Assembly	..... 27
Transmission Drive Assembly	..... 12	Cutting Pan and Bag on Demand Assembly	..... 28
Control Shaft Assembly Transmission		Cutting Pan and Drive System Assembly	..... 29
Assembly No. 104-2889	..... 14	Mower Lift Assembly	..... 30
Differential Gear Assembly Transmission		Electrical Assembly	..... 31
Assembly No. 104-2889	..... 15	Electrical Switch No. 1 Assembly	..... 32
Final Pinion Assembly Transmission		Electrical Switch No. 2 Assembly	..... 33
Assembly No. 104-2889	..... 16	Electrical Switch No. 3 Assembly	..... 34
Axle Shaft Assembly Transmission Assembly		Cylinder, Crankshaft and Piston Assemblies	
No. 104-2889	..... 17	Briggs and Stratton 282H79-23502	..... 35
Brake Assembly Transmission Assembly No.		Cylinder Head Assembly Briggs and Stratton	
104-2889	..... 18	282H79-23502	..... 36
Fan Pulley Assembly Transmission Assembly		Carburetor Assembly Briggs and Stratton	
No. 104-2889	..... 19	282H79-23502	..... 37
Range Shift Assembly Transmission		Blower Housing Assembly Briggs and Stratton	
Assembly No. 104-2889	..... 20	282H79-23502	..... 38
Center Case Assembly Transmission		Flywheel Assembly Briggs and Stratton	
Assembly No. 104-2889	..... 21	282H79-23502	..... 39
Pump Shaft Assembly Transmission		Starter and Electrical Assembly Briggs and	
Assembly No. 104-2889	..... 22	Stratton 282H79-23502	..... 40
		Gasket Assembly Briggs and Stratton 282H79-	
		23502	..... 42

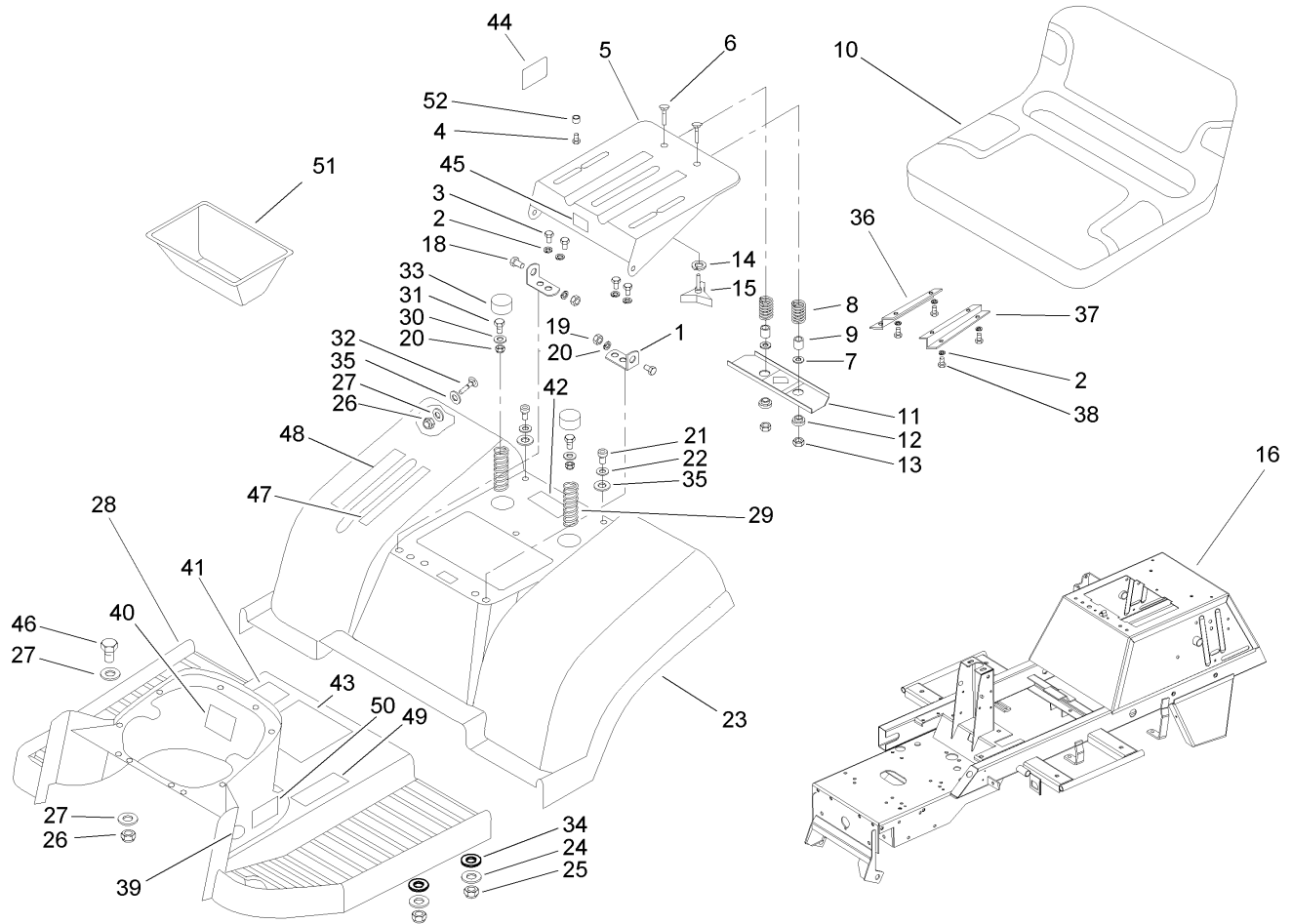
## Part Description Abbreviations

Part descriptions in this catalog may include the following abbreviations.

AR. ....	as required	HYD. ....	hydraulic
ASM. ....	assembly	LH. ....	left hand
BBC. ....	blade brake clutch	NI. ....	nylon insert
CARR. ....	carriage	NPTF. ....	national pipe thread fine
DEG. ....	degrees	PFH. ....	phillips flat head
EXT. ....	external	PPH. ....	phillips pan head
FH. ....	flat head	PPHTF. ....	phillips pan head thread forming
GA. ....	gauge	PRH. ....	phillips round head
HD. ....	heavy-duty	PTH. ....	phillips truss head
HF. ....	hex flange	PTO. ....	power-take-off
HH. ....	hex head	RH. ....	right hand
HHF. ....	hex head flange	ROPS. ....	roll-over protection system
HHFTF. ....	hex head flange thread forming	SFH. ....	slotted fillister head
HJ. ....	hex jam	SHH. ....	slotted hex head
HLH. ....	hex lag head	SHWH. ....	slotted hex washer head
HOC. ....	height-of-cut	SPH. ....	slotted pan head
HSBH. ....	hex socket button head	SQH. ....	square head
HSFH. ....	hex socket flat head	SRH. ....	slotted round head
HSH. ....	hex socket head	STD. ....	standard
HWH. ....	hex washer head	TAP. ....	self tapping
HWHTF. ....	hex washer head thread forming	TTH. ....	torx truss head

## Footnotes

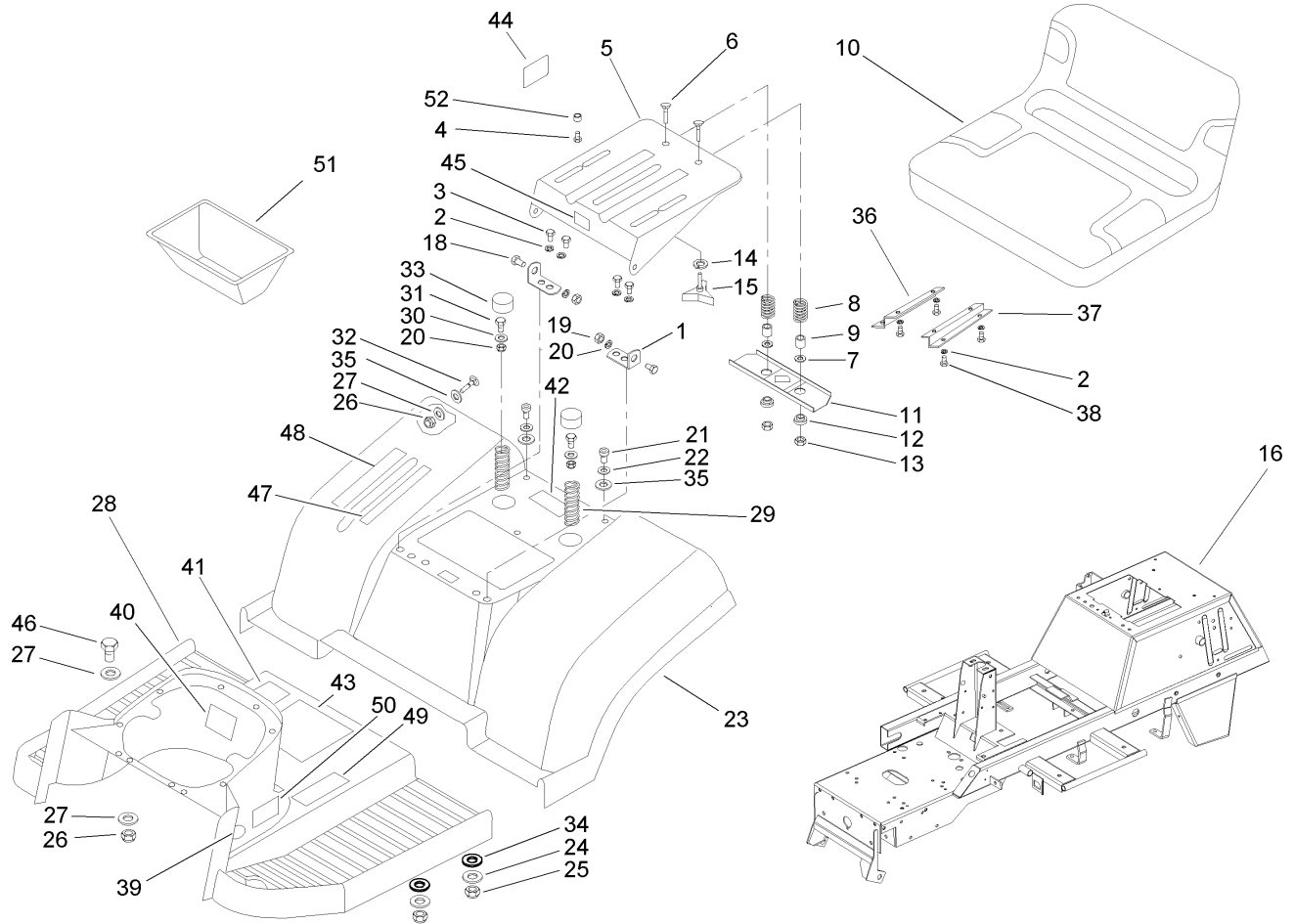
- |   |   |   |   |
|---|---|---|---|
| ❶ | Not serviced separately                     | ❷ | Included in Engine Gasket Set-Ref. 358.         |
| ❸ | Included in Valve Gasket Set-Ref. 1095.     | ❹ | Included in Carburetor Overhaul Kit-Ref. 121.   |
| ❺ | Included in Carburetor Gasket Set-Ref. 977. | ❻ | Obtain from your local Briggs & Stratton dealer |



## Frame and Seat Assembly

Ref	Part No.	Qty.	Description
1	104-2926	2	Bracket-Support, Seat
2	42-9850	8	Washer-Lock, Spring
3	33114-025	10	Screw-HH
4	322-3	2	Screw-HH
5	104-2929	1	Support-Seat
6	104-2930	2	Bolt-Carriage
7	104-2931	2	Washer-Flat
8	104-2932	2	Spring-Seat
9	104-2933	2	Spacer-Split
10	107-2214	1	Seat ASM
11	104-2934	1	Bracket
12	104-2935	2	Bushing
13	33023-00	2	Nut-Lock
14	104-2936	2	Washer-Spring
15	104-2937	2	Knob-Adj.
16	107-8948	1	Chassis-Frame
18	104-2939	2	Screw-Support, Seat
19	33094-00	6	Washer-Plain
20	33024-00	8	Nut-Lock
21	104-2940	2	Screw-HSFH
22	104-2941	2	Washer-Finish
23	106-5752	1	Fender
24	33095-00	4	Washer-Flat
25	33025-00	4	Nut-Lock

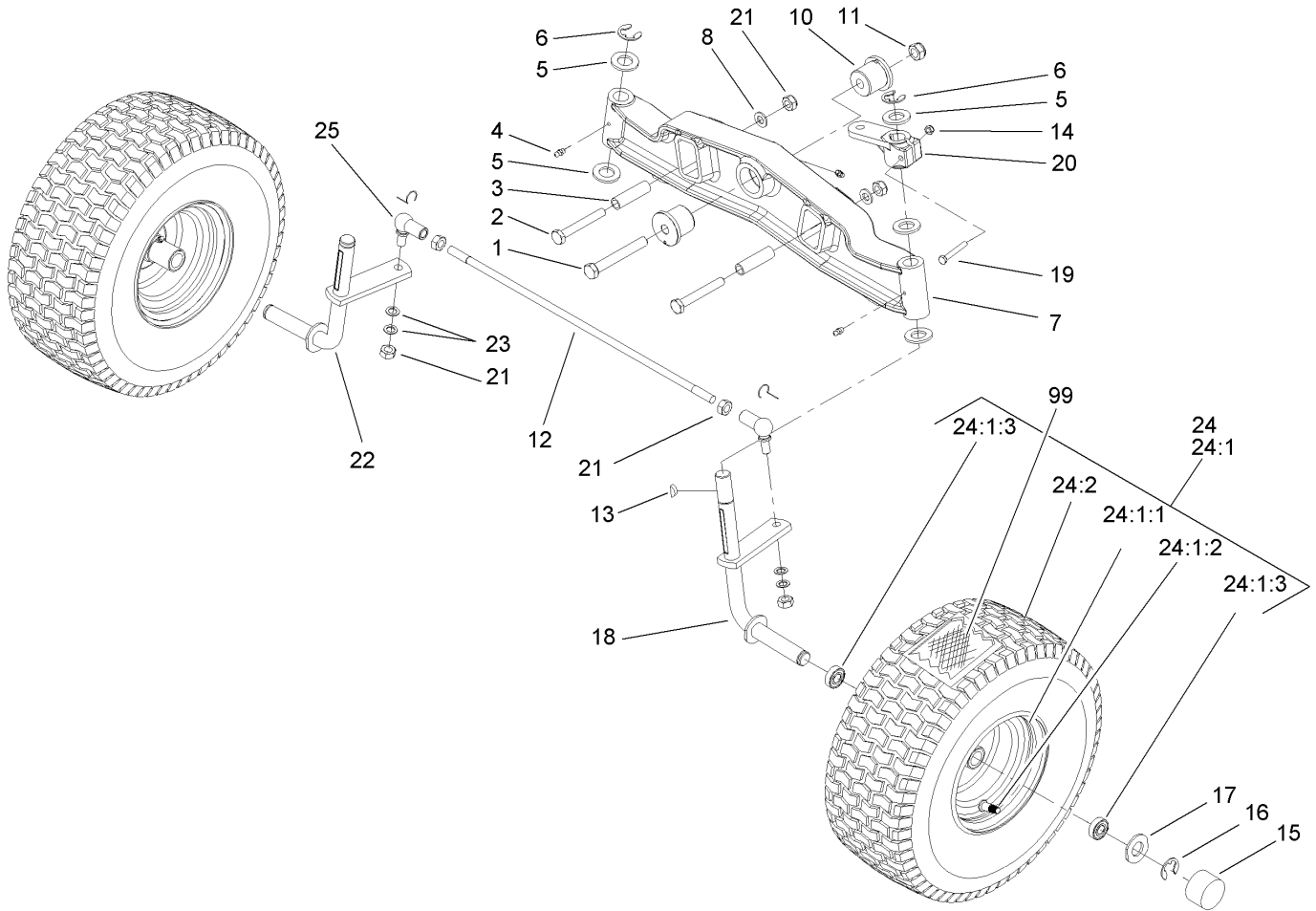
Ref	Part No.	Qty.	Description
26	87-5140	6	Nut-Lock
27	104-2943	6	Washer-Flat
28	104-2944	1	Footrest ASM
29	104-2945	2	Spring-Seat
30	104-2946	6	Washer-Plain
31	33114-020	2	Screw-HH
32	104-2948	6	Bolt-Carriage
33	104-2857	2	Cap-Hub
34	104-2951	2	Washer-Rubber
35	104-2952	2	Washer-Rubber
36	107-8915	1	Bracket-Seat, RH
37	107-8916	1	Bracket-Seat, LH
38	104-3195	4	Screw
39	104-3237	1	Decal-Brake, Parking
40	104-3238	1	Decal-Starting
41	104-3241	1	Decal-Operation, Hydro
42	104-3242	1	Decal-Bag To Frame
43	104-2903	1	Decal-Instruction
44	99-5340	1	Decal-Switch
45	93-7276	1	Decal-Danger
46	60-6910	6	Screw
47	104-3239	1	Decal-HOC, LH
48	104-3240	1	Decal-HOC, RH
49	106-8552	1	Decal-Operation



### Frame and Seat Assembly (continued)

Ref	Part No.	Qty.	Description
50	107-8974	2	Decal-Tower
51	106-5756	1	Box-Battery
52	107-8924	2	Shim-Seat

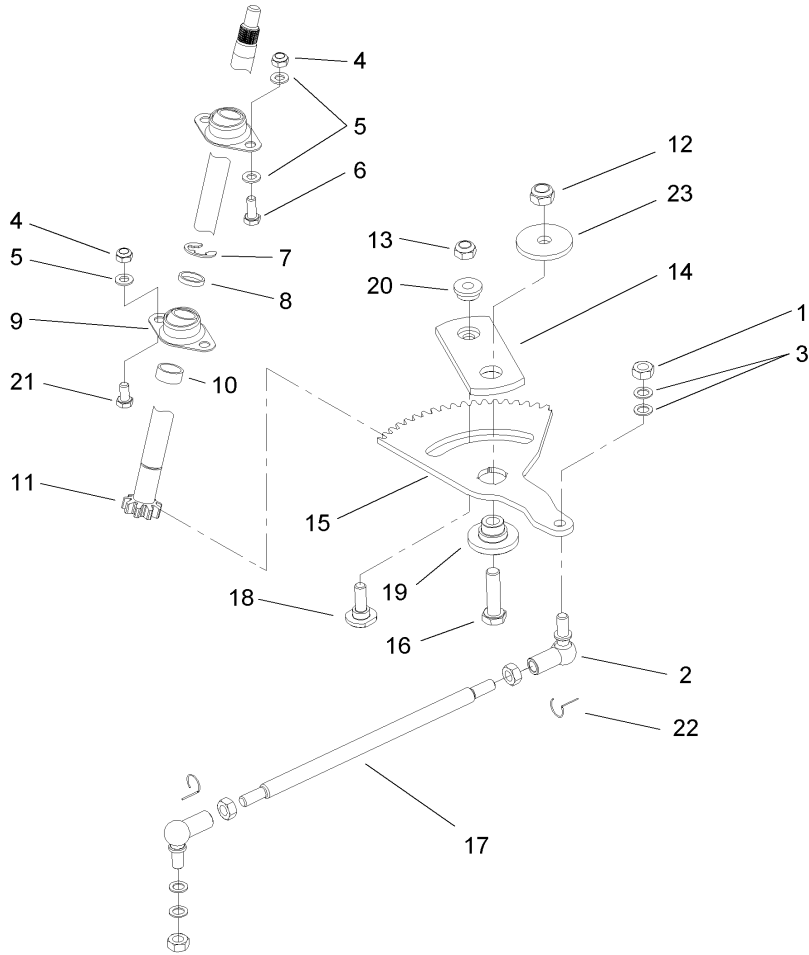
--	--	--	--



### Front Axle Assembly

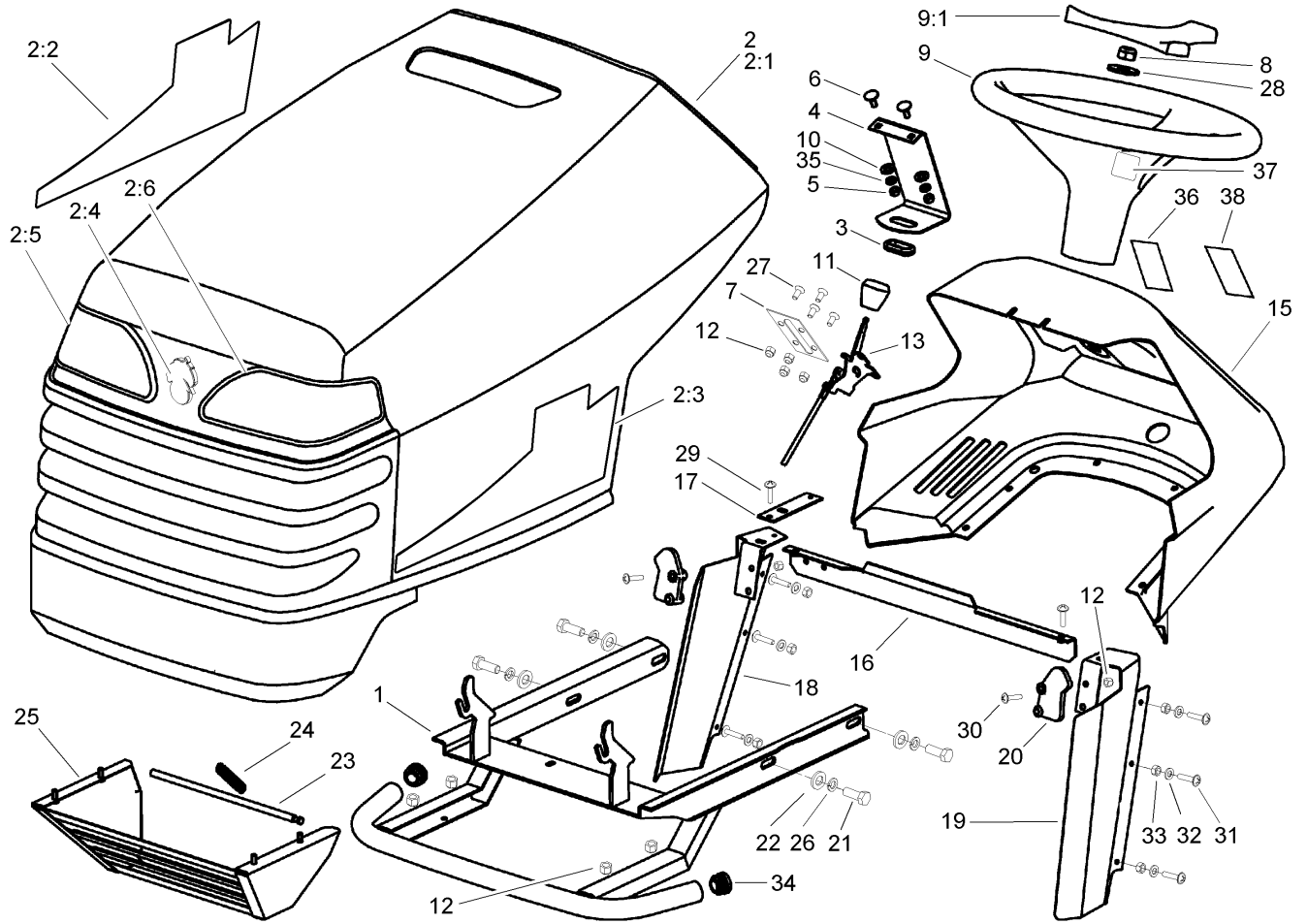
Ref	Part No.	Qty.	Description
1	33116-090	1	Screw-HH
2	33115-080	2	Screw-HH
3	107-8949	2	Spacer
4	104-2904	3	Fitting-Grease
5	104-2905	5	Washer-Flat
6	104-2891	2	Clip-Spring
7	104-2852	1	Axle-Front
8	104-2906	2	Washer-Flat
10	104-2890	2	Bushing-Axle, Front
11	104-2907	1	Nut-Self Locking
12	104-2855	1	Rod-Tie, Front Axle
13	104-2856	1	Key-Woodruff
14	33023-00	1	Nut-Lock
15	104-2857	2	Cap-Hub
16	104-2891	2	Clip-Spring
17	107-8998	2	Retainer-Cap, Hub
18	108-8776	1	Spindle-LH
19	33113-045	1	Screw-HH
20	104-2862	1	Lever-Spindle, Steering
21	33025-00	6	Nut-Lock
22	107-8926	1	RH Spindle ASM
23	106-5757	4	Washer
24	110-9087	2	Wheel And Tire ASM
24:1	110-9088	1	Wheel ASM(15X6.0X6)

Ref	Part No.	Qty.	Description
● 24:1:1		1	Rim (15X6.0X8)
24:1:2	106-8596	1	Valve-Tire
24:1:3	110513	2	Bearing-Wheel
24:2	99-2988	1	Tire
25	104-2876	2	Joint-Ball, Angle
99	232-39	1	Tube-Inner



## Steering Assembly

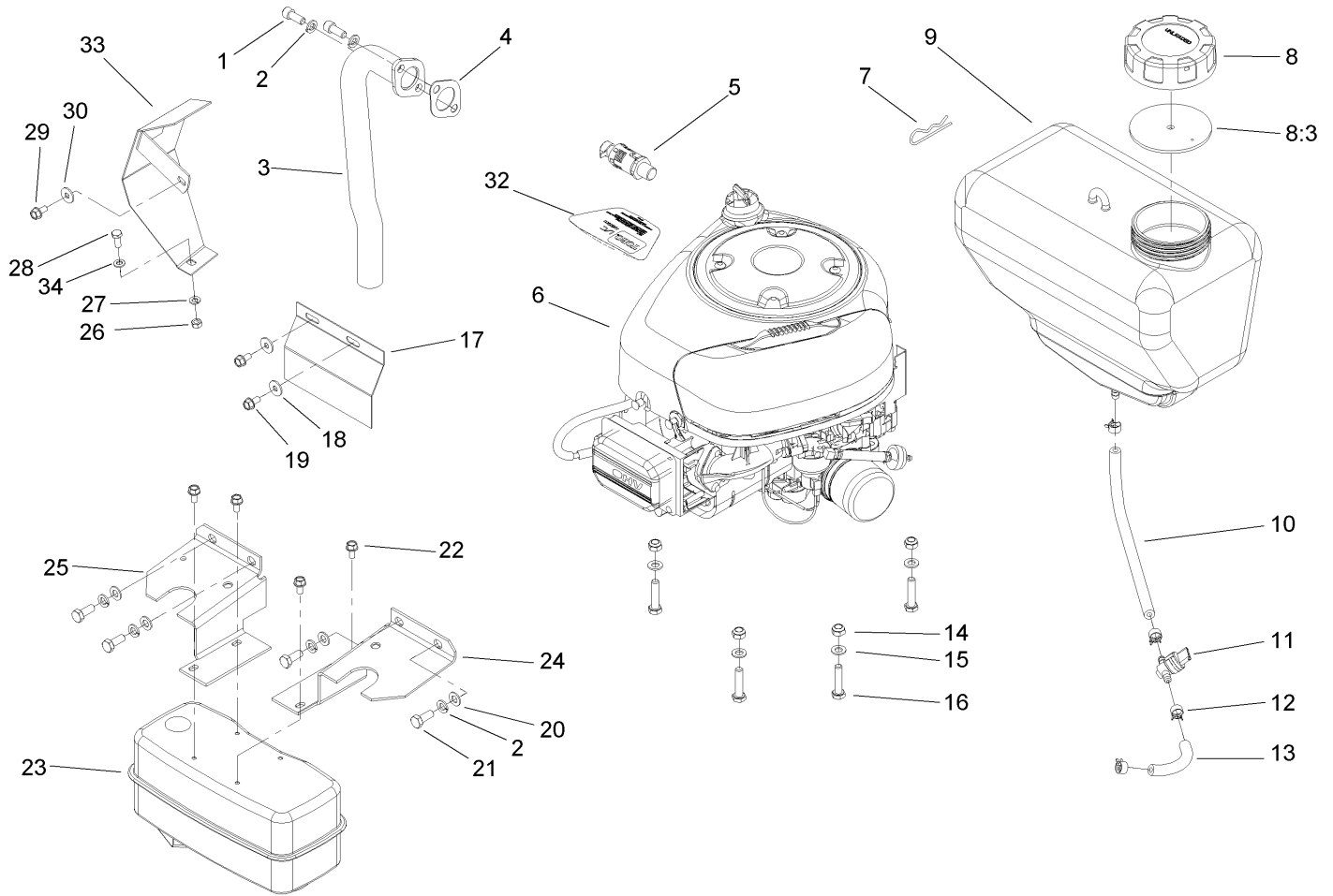
Ref	Part No.	Qty.	Description
1	33025-00	4	Nut-Lock
2	104-2876	2	Joint-Ball, Angle
3	106-5757	4	Washer
4	33024-00	4	Nut-Lock
5	33094-00	6	Washer-Plain
6	33114-020	2	Screw-HH
7	104-2891	1	Clip-Spring
8	104-2877	1	Spacer-Upper
9	104-2878	2	Bearing-Spherical
10	104-2879	1	Spacer-Lower
11	106-5773	1	Shaft-Steering
12	33026-00	1	Nut-Lock
13	33025-00	1	Nut-Lock
14	105-1238	1	Plate-Steering
15	104-2883	1	Gear-Sector
16	104-2910	1	Screw-Hex
17	104-2886	1	Link-Drag
18	105-1239	1	Bolt-Shoulder
19	105-1240	1	Pivot-Steering
20	105-1241	1	Bushing
21	33114-016	2	Screw-HH
22	104-2865	2	Stirrups-Locking
23	108-8892	1	Washer

## Body and Hood Assembly

Ref	Part No.	Qty.	Description
1	107-2216	1	Support-Bumper
2	107-8986	1	Hood-Assembly
2:1		1	Hood
2:2	107-8913	1	Decal-Hood, RH
2:3	107-8902	1	Decal-Hood, LH
2:4	95-4248	1	Decal
2:5	107-8983	1	Lens-Headlamp, RH
2:6	107-8984	1	Lens-Headlamp, LH
3	104-2959	1	Bushing
4	104-2960	1	Holder-Tank, Fuel
5	33023-00	2	Nut-Lock
6	104-2961	2	Screw
7	104-2962	1	Brace
8	33026-00	1	Nut-Lock
9	98-1471	1	Wheel-Steering
9:1	98-1468	1	Cover-Wheel, Steering
10	33094-00	2	Washer-Plain
11	66-0120	1	Knob
12	87-5140	14	Nut-Lock
13	106-4166	1	Cable-Throttle And Choke
15	104-2968	1	Panel-Dash
16	104-2970	1	Brace
17	104-2971	1	Bracket
18	104-2972	1	Panel-Right

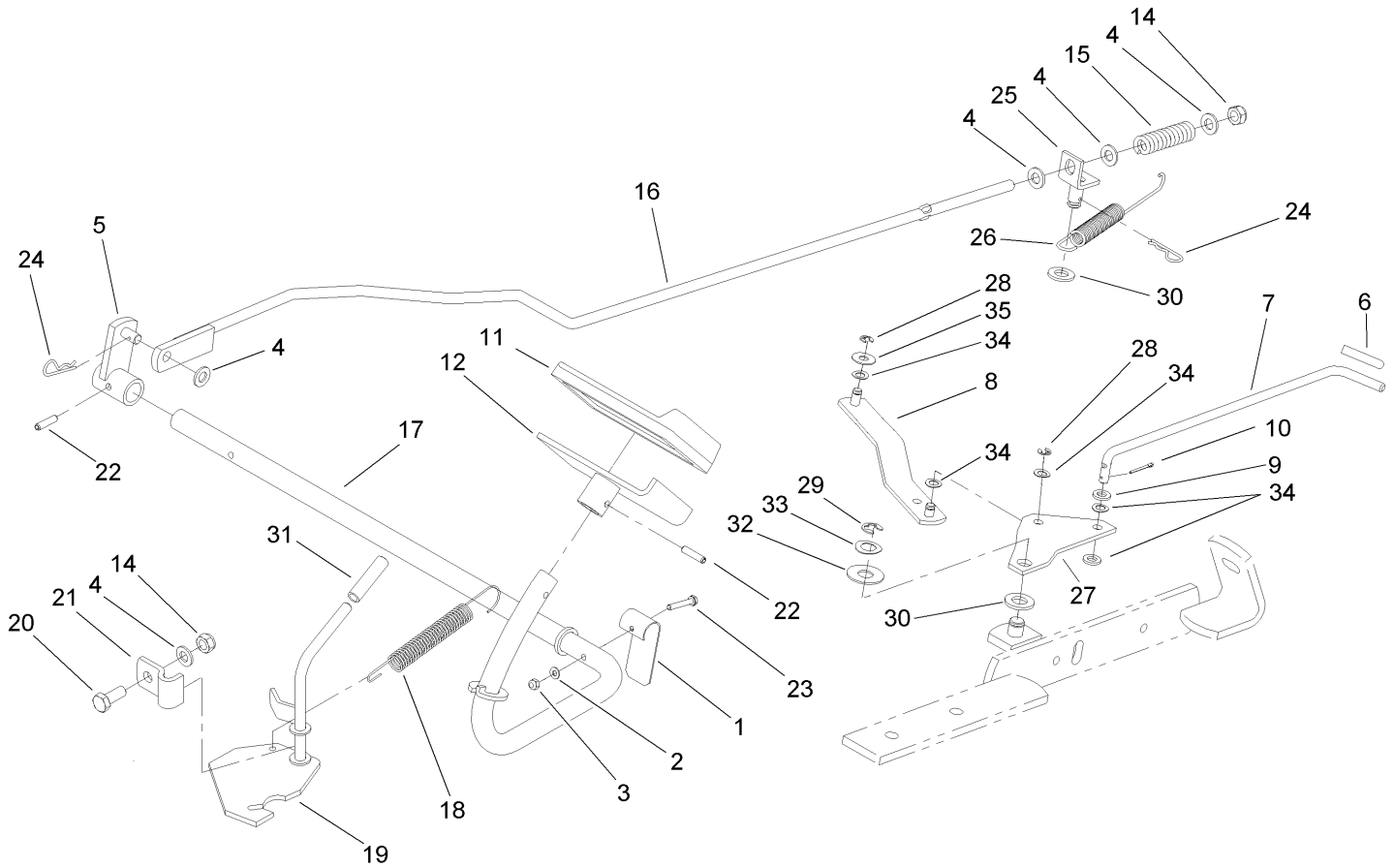
Ref	Part No.	Qty.	Description
19	104-2973	1	Panel-Left
20	92-6960	2	Latch-Hood
21	33114-020	4	Screw-HH
22	104-2946	4	Washer-Plain
23	104-2974	1	Bar-Safety
24	104-2975	1	Spring-Hood
25	107-2218	1	Guard-Muffler
26	42-9850	4	Washer-Lock, Spring
27	106-5759	4	Screw
28	106-5758	1	Washer
29	104-2980	2	Screw
30	104-2981	4	Screw
31	107-8918	6	Screw
32	104-3175	6	Washer
33	104-2985	6	Nut-Hex
34	107-8943	2	End Cap-Tube
35	43-5930	2	Washer-Spring
36	107-8920	1	Decal-Dash Throttle And Ignition
37	98-1459	1	Decal
38	104-3235	1	Decal-PTO



## Engine, Muffler and Fuel Tank Assembly

Ref	Part No.	Qty.	Description
1	322-3	2	Screw-HH
2	42-9850	6	Washer-Lock, Spring
3	104-3221	1	Tube-Exhaust
4	88-4410	1	Gasket-Muffler
5	104-3208	1	Valve-Oil Drain
<b>1 66</b>		1	Engine-Briggs And Stratton, 282H79-23502
7	104-3144	1	Pin-Hair
8	88-3980	1	Gas Cap ASM
8:3	88-4010	1	Gasket-Cap, Gas
9	104-3057	1	Tank-Fuel
10	104-3211	1	Line-Fuel
11	104-3224	1	Valve-Tank, Fuel
12	104-3212	4	Clamp-Line, Fuel
13	104-3213	1	Line-Fuel
14	33024-00	4	Nut-Lock
15	33094-00	4	Washer-Plain
16	33114-035	4	Screw-HH
17	104-3222	1	Cover-Front
18	104-2931	2	Washer-Flat
19	106-5763	2	Screw
20	33094-00	4	Washer-Plain
21	33114-020	4	Screw-HH
22	106-5763	4	Screw

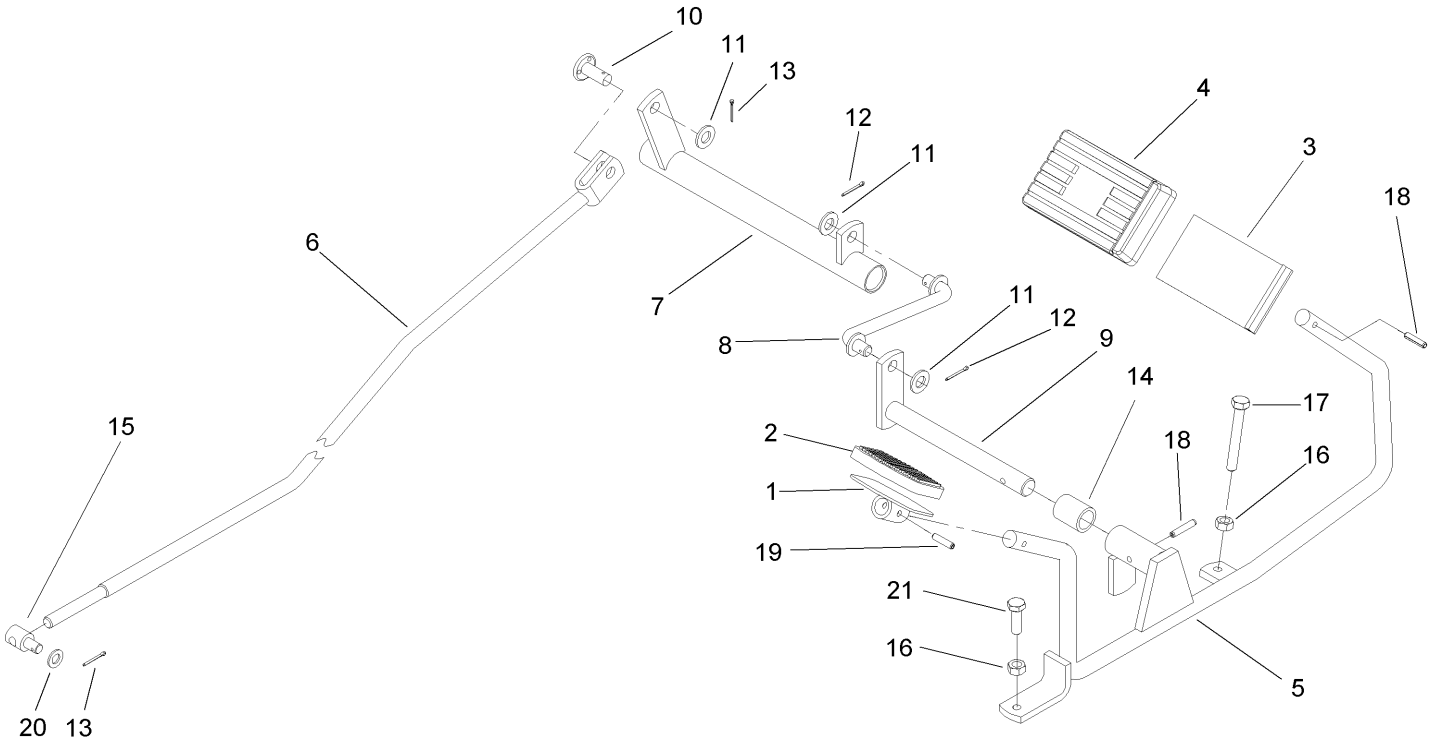
Ref	Part No.	Qty.	Description
23	104-3229	1	Muffler
24	104-3214	1	Guard-Muffler, LH
25	104-3215	1	Guard-Muffler, RH
26	33013-00	1	Nut-Hex
27	104-3186	1	Washer-Spring
28	33113-016	1	Screw-HH
29	106-5763	1	Screw
30	104-2931	1	Washer-Flat
32	107-4924	1	Decal
33	105-1242	1	Cover-Manifold, Exhaust
34	33093-00	1	Washer-Flat



## Operation, Brake and Bypass Assembly

Ref	Part No.	Qty.	Description
1	104-2992	1	Lever-Spring
2	104-2984	1	Washer
3	104-2985	1	Nut-Hex
4	33094-00	5	Washer-Plain
5	104-2993	1	Bracket-Rod, Brake
6	108-8708	1	Cap-Bypass Lever, Hydro
7	104-2995	1	Rod-Lever, Bypass
8	107-8944	1	Lever-Bypass
9	104-3193	2	Washer
10	104-2997	1	Pin-Cotter
11	104-2998	1	Pad-Pedal
12	104-2999	1	Pedal
14	33024-00	2	Nut-Lock
15	104-3002	1	Spring-Brake
16	104-3003	1	Rod-Connecting, Brake
17	104-3004	1	Shaft-Brake
18	104-3005	1	Spring-Brake, Hand
19	104-3006	1	Lever-Brake, Hand
20	33114-020	1	Screw-HH
21	104-3007	1	Clamp-Lever, Parking Brake
22	104-3008	2	Pin-Spring
23	104-3009	1	Screw-Hex
24	104-3016	2	Pin-Cotter
25	104-3011	1	Bracket-Rod, Brake

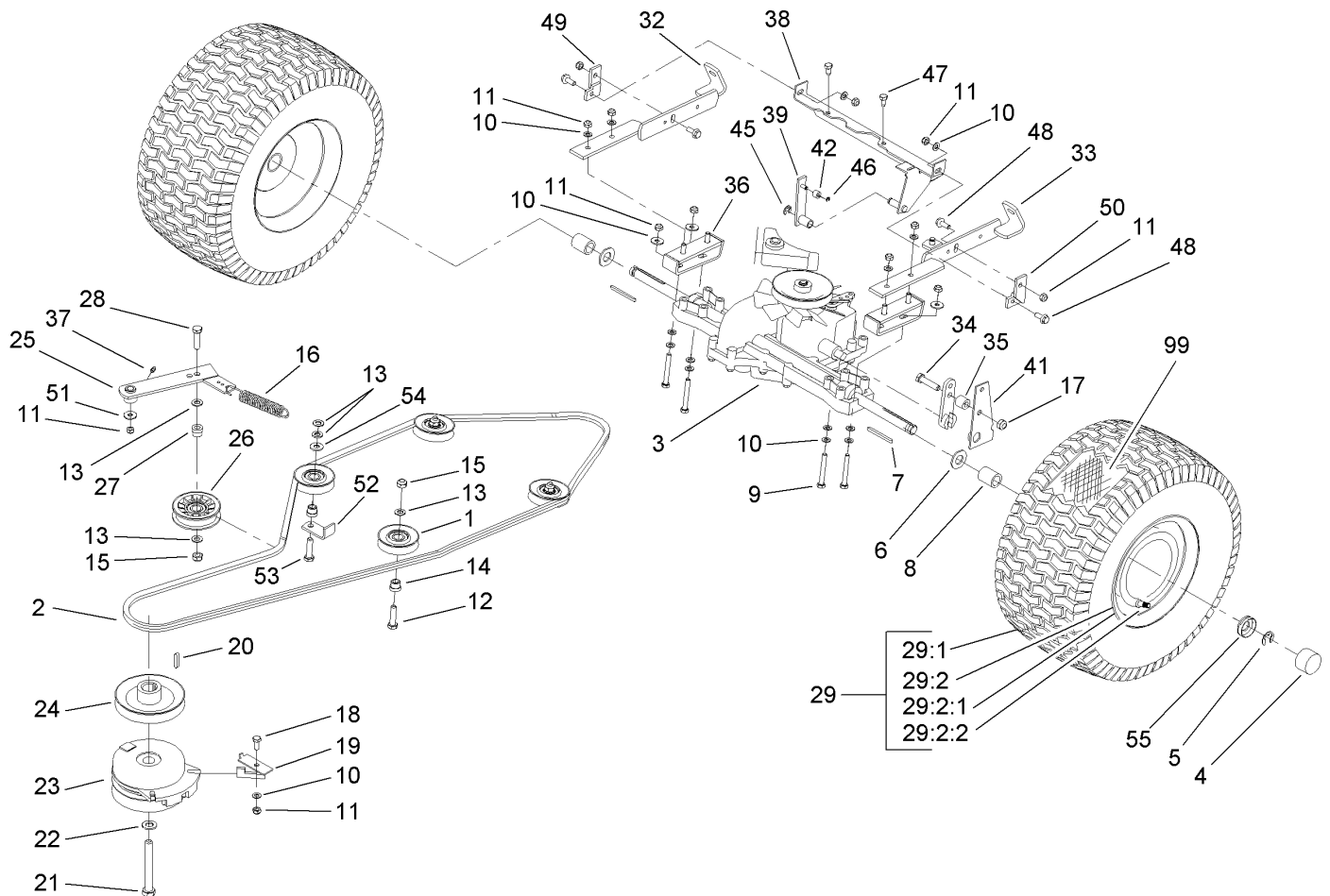
Ref	Part No.	Qty.	Description
26	104-3012	1	Spring
27	104-3323	1	Plate-Bypass
28	104-3014	2	Stirrup
29	104-3015	1	Stirrup
30	33095-00	2	Washer-Flat
31	104-3247	1	Cap
32	106-5768	1	Washer
33	106-5769	1	Washer
34	106-5770	4	Washer
35	106-5771	1	Washer



## Operation and Travel Pedal Assembly

Ref	Part No.	Qty.	Description
1	104-3017	1	Pedal-Rear, Travel
2	104-3018	1	Pad-Pedal
3	104-3019	1	Pedal-Travel, Front
4	104-3020	1	Pad-Pedal, Front
5	104-3021	1	Pad-Travel
6	104-3022	1	Rod-Tie
7	104-3023	1	Shaft-Diagonal
8	104-3024	1	Link-Formed
9	104-3025	1	Shaft-Diagonal
10	104-3026	1	Pin
11	33095-00	3	Washer-Flat
12	104-3016	2	Pin-Cotter
13	104-3027	2	Pin-Cotter
14	104-3028	1	Spacer
15	104-3029	1	Pin
16	33014-00	2	Nut-Hex
17	33114-060	1	Screw-HH
18	104-3008	2	Pin-Spring
19	104-3030	1	Pin-Spring
20	104-3031	1	Washer
21	33114-025	1	Screw-HH

--	--	--	--



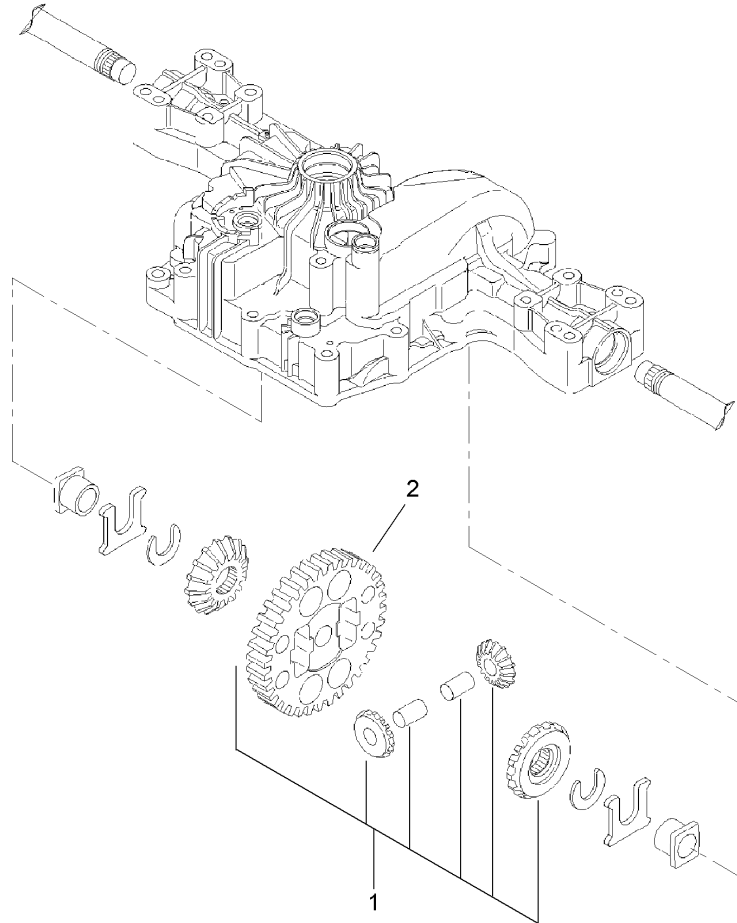
## Transmission Drive Assembly

Ref	Part No.	Qty.	Description
1	104-2887	4	Pully-Idler
2	104-2888	1	V-Belt-Traction
3	104-2889	1	Transmission
4	104-2857	2	Cap-Hub
5	104-2891	2	Clip-Spring
6	104-3206	2	Washer
7	104-2892	2	Key-Square
8	104-2895	2	Spacer-Axle
9	33114-080	4	Screw-HH
10	33094-00	16	Washer-Plain
11	33024-00	14	Nut-Lock
12	33115-040	3	Screw-HH
13	33095-00	7	Washer-Flat
14	104-2896	4	Bushing-Idler
15	33025-00	5	Nut-Lock
16	104-2897	1	Spring
17	33025-00	1	Nut-Lock
18	33114-020	1	Screw-HH
19	104-2898	1	Retainer
20	104-2899	1	Key-Square
21	3212-10	1	Screw-HH
22	93-9043	1	Washer-Spring, Belleville
23	104-3334	1	Clutch-Electric
24	104-2911	1	Pulley-Engine

Ref	Part No.	Qty.	Description
25	104-2912	1	Arm-Idler
26	104-2913	1	Pulley-Idler
27	104-2896	1	Bushing-Idler
28	33115-040	1	Screw-HH
29	107-2224	2	Wheel And Tire ASM
29:1	99-2996	1	Tire
29:2	107-8928	1	Wheel ASM
● 29:2:1		1	Rim (18X9.5X8)
29:2:2	106-8596	1	Valve-Tire
32	106-8594	1	Bracket-Right
33	106-8593	1	Bracket-Left
34	33115-045	1	Screw-HH
35	104-2925	1	Sleeve
36	107-8947	2	Bracket-Support
37	104-2904	1	Fitting-Grease
38	104-3327	1	Bar ASM
39	104-3328	1	Arm-Switch
41	104-3326	1	Tenon
42	104-3329	1	Roller
45	104-3341	1	Stirrup
46	104-3014	1	Stirrup
47	104-3344	2	Screw-Thread Forming
48	104-3065	4	Screw-Hex
49	107-8945	1	Bracket-Right





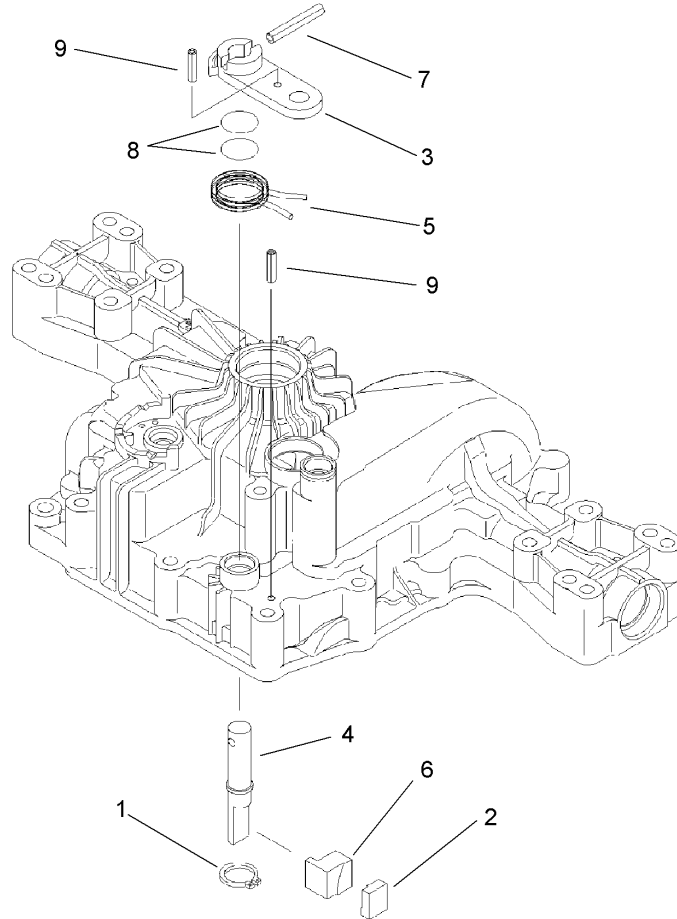


## Differential Gear Assembly Transmission Assembly No. 104-2889

Ref	Part No.	Qty.	Description	
1	104-3299	1	Differential Gear Kit	
2	104-3301	1	Gear-Final	

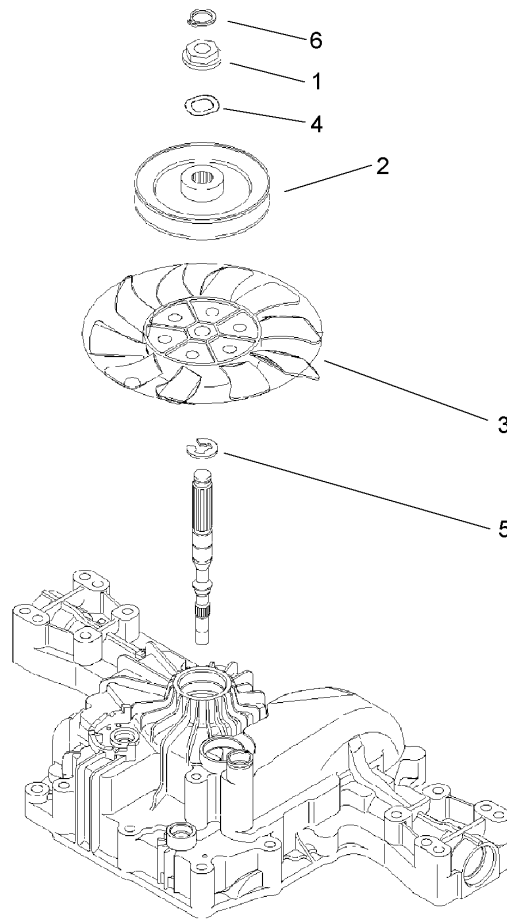






## Brake Assembly Transmission Assembly No. 104-2889

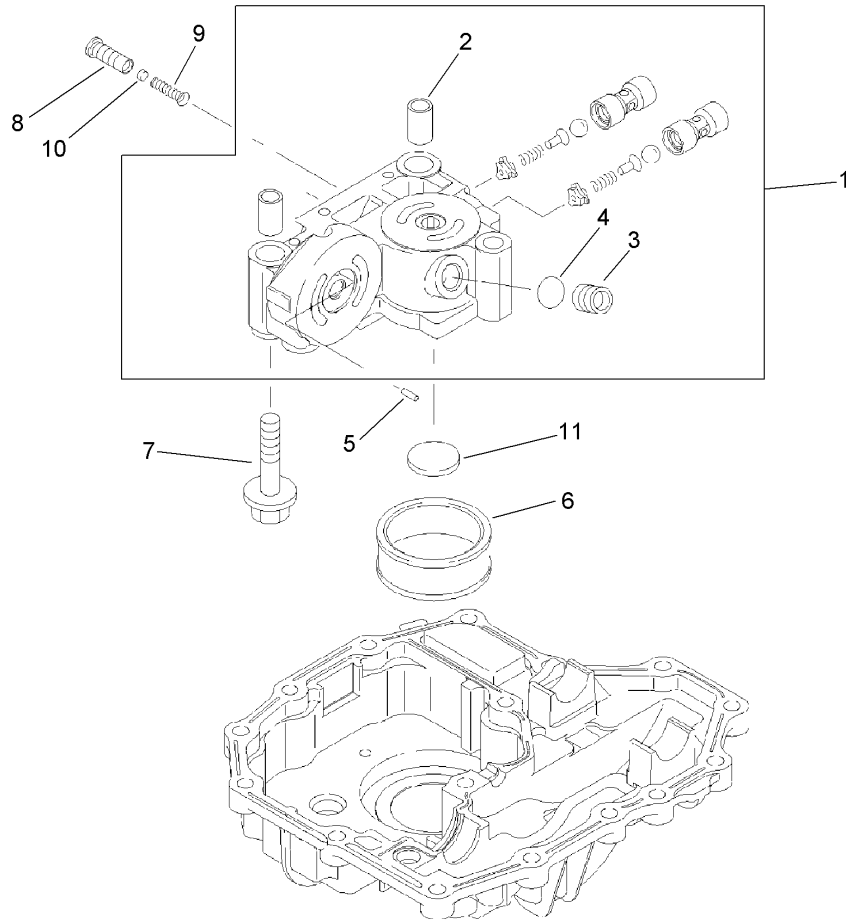
Ref	Part No.	Qty.	Description				
1	104-3313	1	Ring				
2	104-3314	1	Shoe-Brake				
3	104-3315	1	Arm-Brake				
4	104-3316	1	Shaft-Brake				
5	104-3317	1	Spring-Return, Brake				
6	104-3318	1	Actuator-Brake				
7	92-0767	1	Pin				
8	92-0786	2	O-Ring				
9	104-3319	2	Pin				



## Fan Pulley Assembly Transmission Assembly No. 104-2889

Ref	Part No.	Qty.	Description				
1	104-3320	1	Collar-Spline				
2	104-3197	1	Pulley-Transmission				
3	104-3199	1	Fan- Transmission				
4	104-3321	1	Washer-Lock				
5	93-0387	1	E-Ring				
6	104-3198	1	E-Ring				



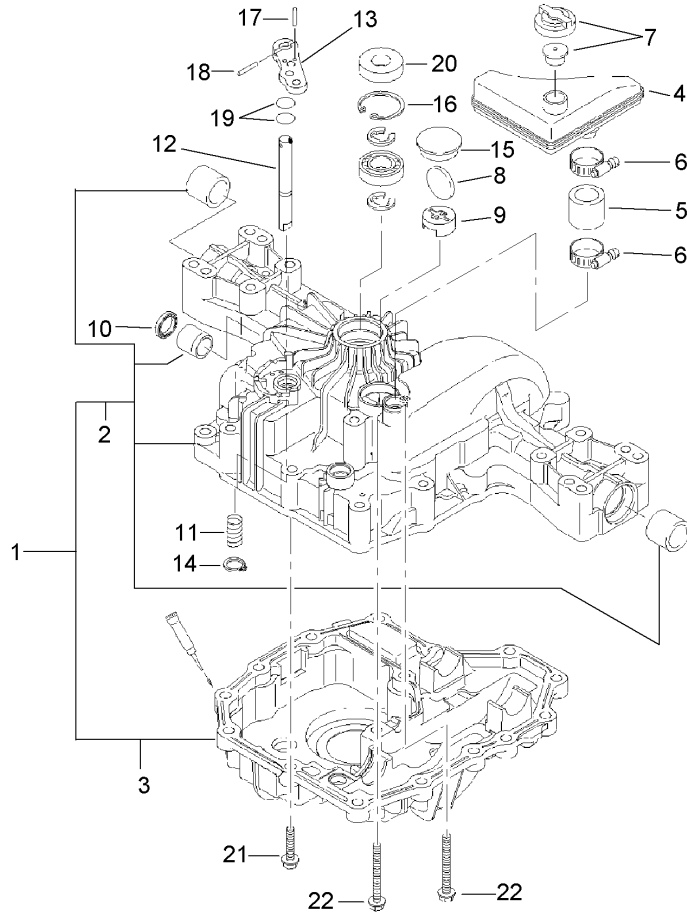


## Center Case Assembly Transmission Assembly No. 104-2889

Ref	Part No.	Qty.	Description				
1	104-3267	1	Case-Center				
2	104-3268	2	Pin-Knock				
3	104-3269	1	Plug				
4	93-0419	1	Packing				
5	104-3270	1	Pin				
6	104-3271	1	Filter				
7	104-3272	3	Bolt				
8	104-3273	2	Valve				
9	104-3274	2	Spring				
10	104-3275	2	Filter				
11	104-3257	1	Magnet				



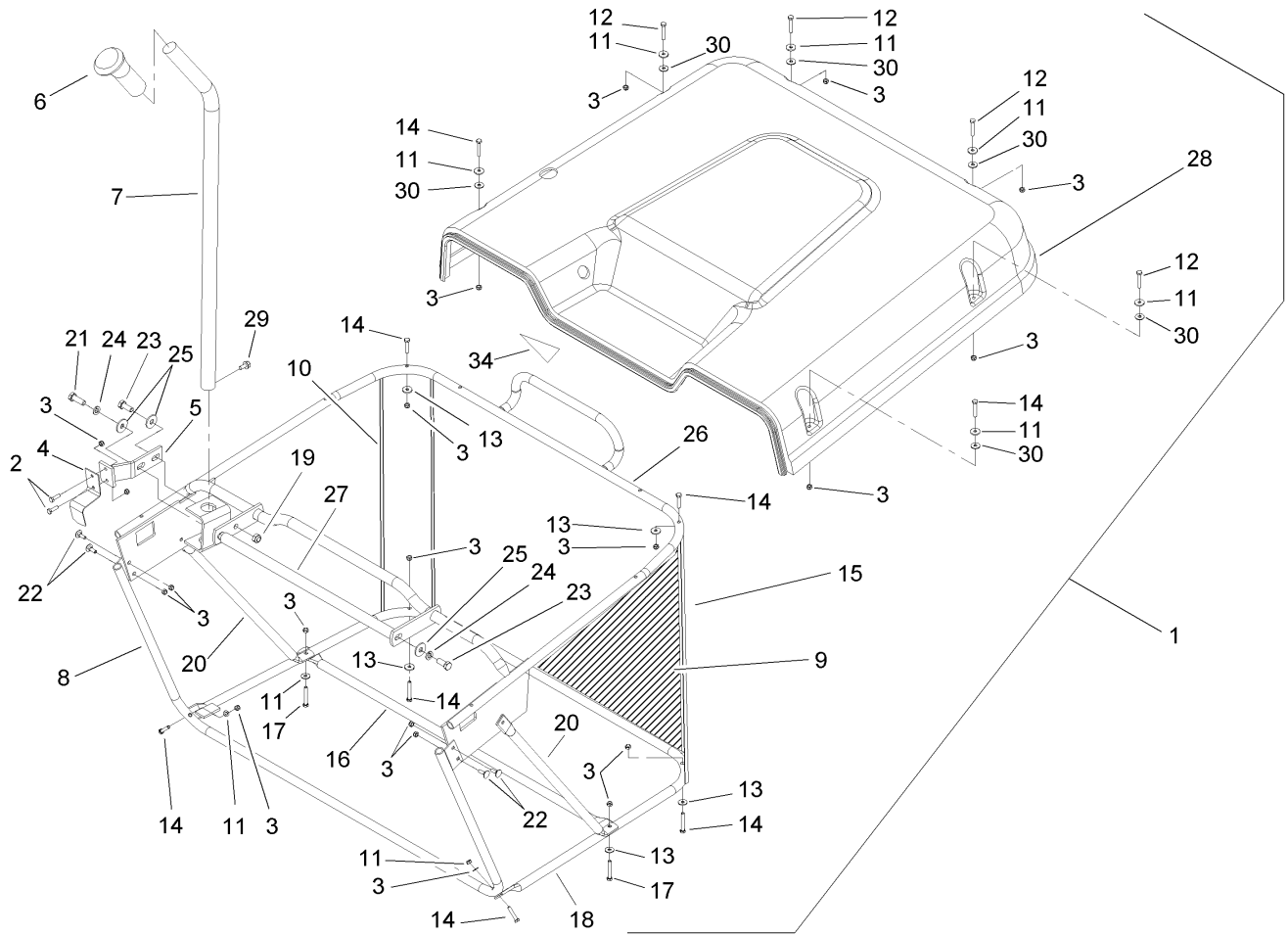




## Transaxle Case Assembly Transmission Assembly No. 104-2889

Ref	Part No.	Qty.	Description
1	104-3251	1	Transaxle Case Set
2	104-3252	1	Housing-Upper
3	104-3253	1	Housing-Lower
4	104-2914	1	Tank-Reservoir, With Cap
5	104-3254	1	Tube
6	104-3255	2	Clamp-Miniature
7	104-3256	1	Valve-Vent, 15
8	104-3257	1	Magnet
9	104-3258	1	Holder-Magnet
10	104-3259	1	Seal-Oil
11	93-0396	1	Spring
12	104-3260	1	Shaft-Bypass
13	104-3261	1	Lever-Bypass
14	104-3262	1	Ring
15	104-3263	1	Plug-Bore
16	93-0360	1	Ring
17	104-3264	1	Pin
18	104-3265	1	Pin
19	93-0419	2	Packing
20	93-0361	1	Seal
21	93-0363	14	Screw-TAP
22	104-3266	2	Screw-TAP

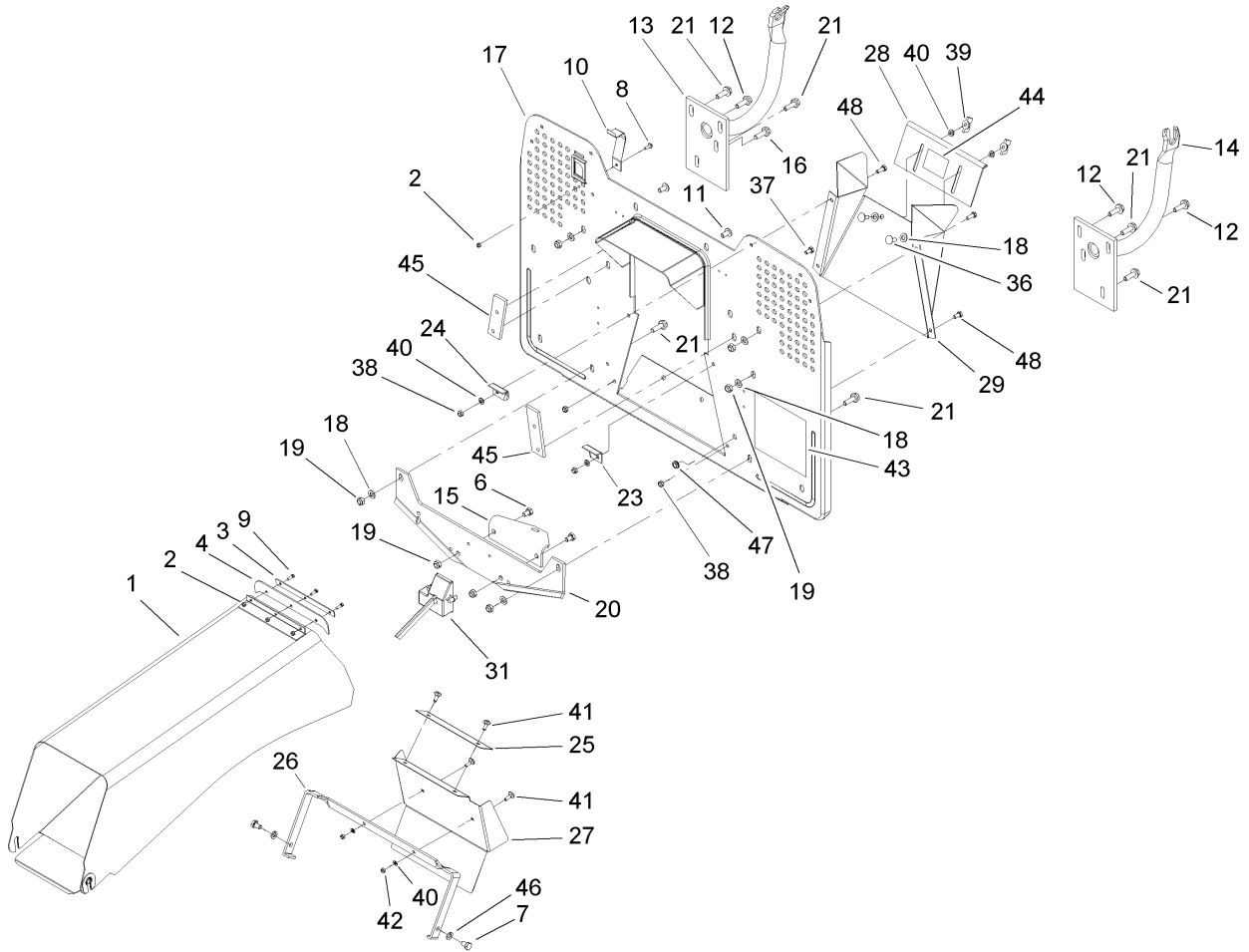
--	--	--	--



## Grass Collector Assembly No. 106-5760

Ref	Part No.	Qty.	Description
1	106-5760	1	Collector ASM
2	60-6910	2	Screw
3	87-5140	22	Nut-Lock
4	104-3033	1	Spring-Coll, Interlock Switch
5	106-5761	1	Bracket-Spring
6	104-3035	1	Grip-Handle
7	107-8917	1	Lever-Dump
8	104-3037	1	Front Frame ASM
9	104-3038	1	Bag-Grass
10	104-3039	1	Support-Corner, Right
11	104-2943	8	Washer-Flat
12	87-5150	4	Bolt
13	52-6430	14	Washer
14	104-3041	10	Screw-Hex
15	104-3042	1	Support-Corner, Left
16	104-3043	1	Brace-Connecting
17	104-3044	2	Screw-Hex
18	104-3045	1	Bottom Frame ASM
19	33024-00	1	Nut-Lock
20	104-3046	2	Brace
21	33114-025	1	Screw-HH
22	104-2948	4	Bolt-Carriage
23	33114-020	2	Screw-HH
24	42-9850	2	Washer-Lock, Spring

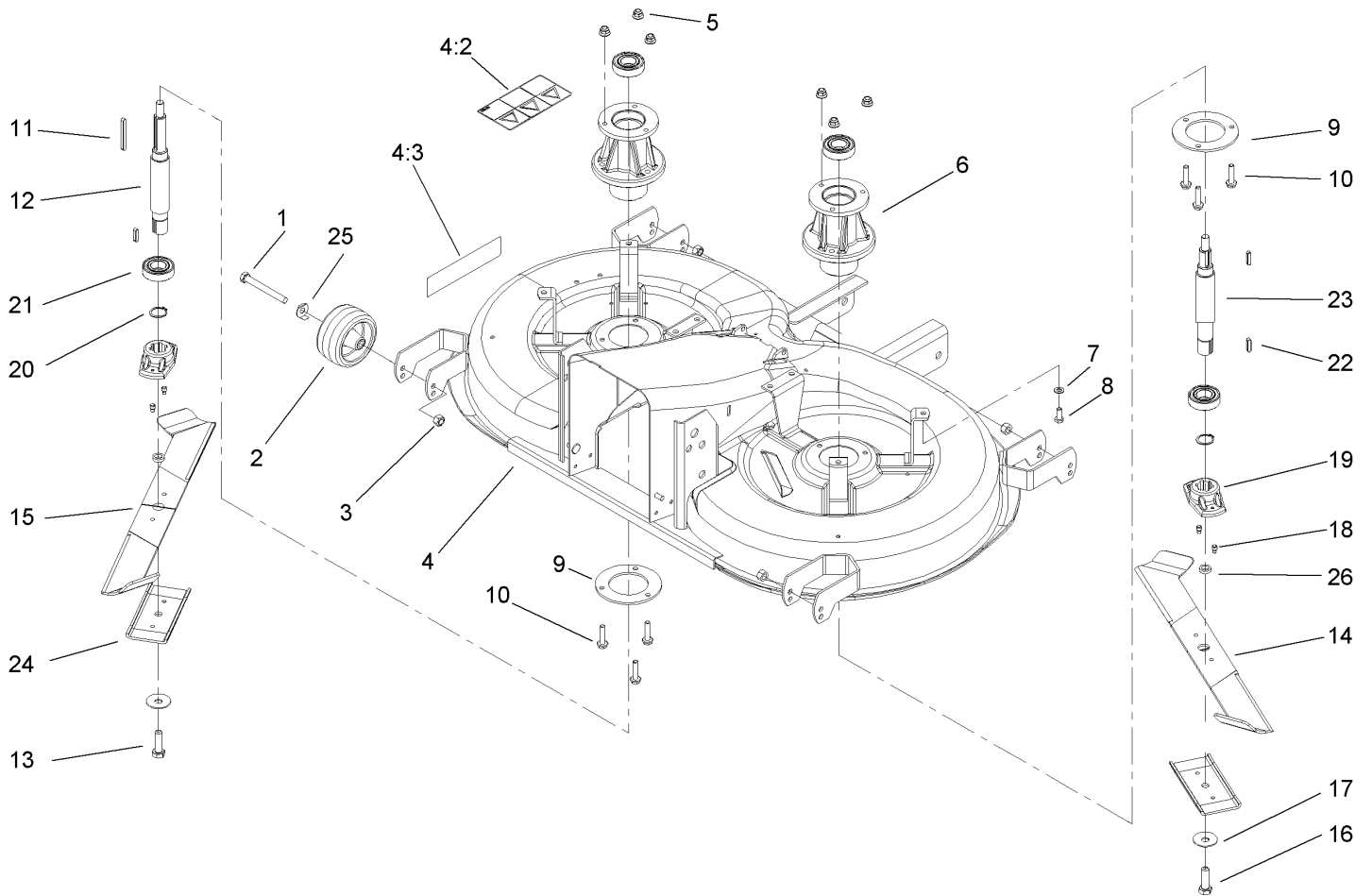
Ref	Part No.	Qty.	Description
25	104-2946	4	Washer-Plain
26	104-3047	1	Top Frame ASM
27	104-3048	1	Handle-Lift
28	106-5762	1	Cover-Collector
29	106-5763	1	Screw
30	104-2952	6	Washer-Rubber
34	104-3242	1	Decal-Bag To Frame



## Collector Assembly

Ref	Part No.	Qty.	Description
1	106-8562	1	Tunnel
2	104-2985	4	Nut-Hex
3	104-3055	1	Plate-Support
4	104-3056	1	Seal-Rubber
6	33114-020	2	Screw-HH
7	68-9410	2	Screw-Flange
8	104-2983	1	Screw
9	104-3058	3	Screw-SFH
10	104-3059	1	Cover-Switch
11	104-3060	2	Bolt-Carriage
12	104-3061	4	Screw
13	104-3062	1	Support-Collector, Right
14	104-3063	1	Support-Collector, Left
15	104-3064	1	Hitch-Tow
16	104-3065	1	Screw-Hex
17	104-3066	1	Collector Plate ASM
18	33095-00	9	Washer-Flat
19	33024-00	9	Nut-Lock
20	104-3067	1	Support-Hitch, Tow
21	104-3068	6	Screw-Hex
23	106-8597	1	Support-Tunnel, Left
24	106-8598	1	Support-Tunnel, Right
25	106-8599	1	Shield-Rubber
26	104-3069	1	Bracket-Shield, Protective

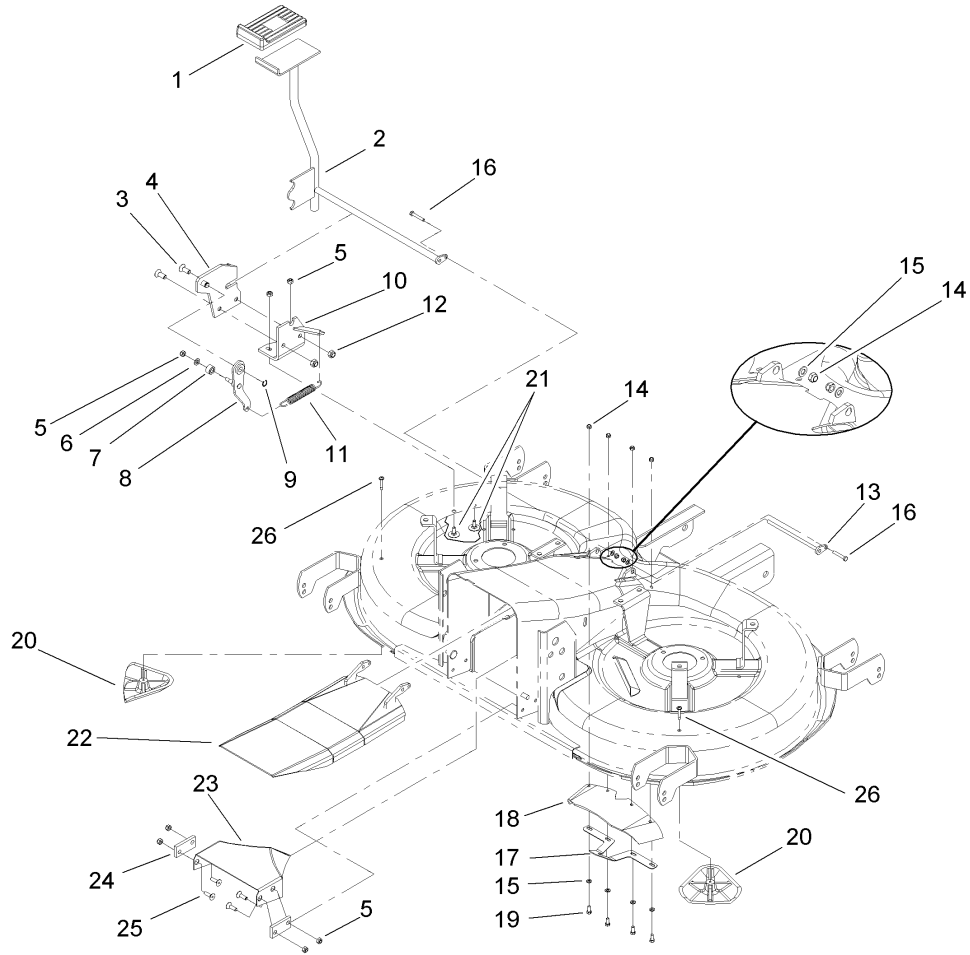
Ref	Part No.	Qty.	Description
27	104-3070	1	Shield-Protective
28	104-3336	1	Shield-Adjustable
29	104-3335	1	Hopper-Receiving
31	104-3074	1	Overload Switch ASM
36	104-2961	2	Screw
37	33113-012	2	Screw-HH
38	33023-00	4	Nut-Lock
39	32103-28	2	Nut-Wing
40	33093-00	4	Washer-Flat
41	104-2948	4	Bolt-Carriage
42	87-5140	4	Nut-Lock
43	104-3243	1	Decal-Bypass, Hydro
44	104-2853	1	Decal-Position, Bagging
45	104-3347	2	Plate-Reinforcing
46	104-3348	2	Washer-Spring
47	106-5772	1	Bushing
48	106-8575	2	Screw-HH



## Cutting Pan and Mower Housing Assembly

Ref	Part No.	Qty.	Description
1	33115-090	4	Screw-HH
2	104-3080	4	Wheel-Gauge
3	33025-00	4	Nut-Lock
4	110-9071	1	Deck ASM
4:2	93-7824	2	Decal-Danger
4:3	106-8563	1	Decal-Recycler
5	104-3082	6	Nut-Lock, HF
6	107-8992	2	Housing-Spindle
7	33094-00	8	Washer-Plain
8	33114-020	8	Screw-HH
9	104-3084	2	Support-Ring
10	104-3085	6	Bolt-HHF
11	104-3086	1	Key
12	106-8565	1	Shaft-Blade, Left
13	106-5797	1	Bolt-HH, Blade
14	106-8557	1	Blade-RH
15	106-8558	1	Blade-LH
16	106-5798	1	Bolt-Blade, HH
17	106-6532	2	Washer-Blade
18	104-3093	4	Pin-Shear, Grooved
19	106-4185	2	Adapter-Blade
20	104-3095	2	Ring-Locking
21	104-6325	4	Bearing-Ball
22	104-3097	3	Key-Square

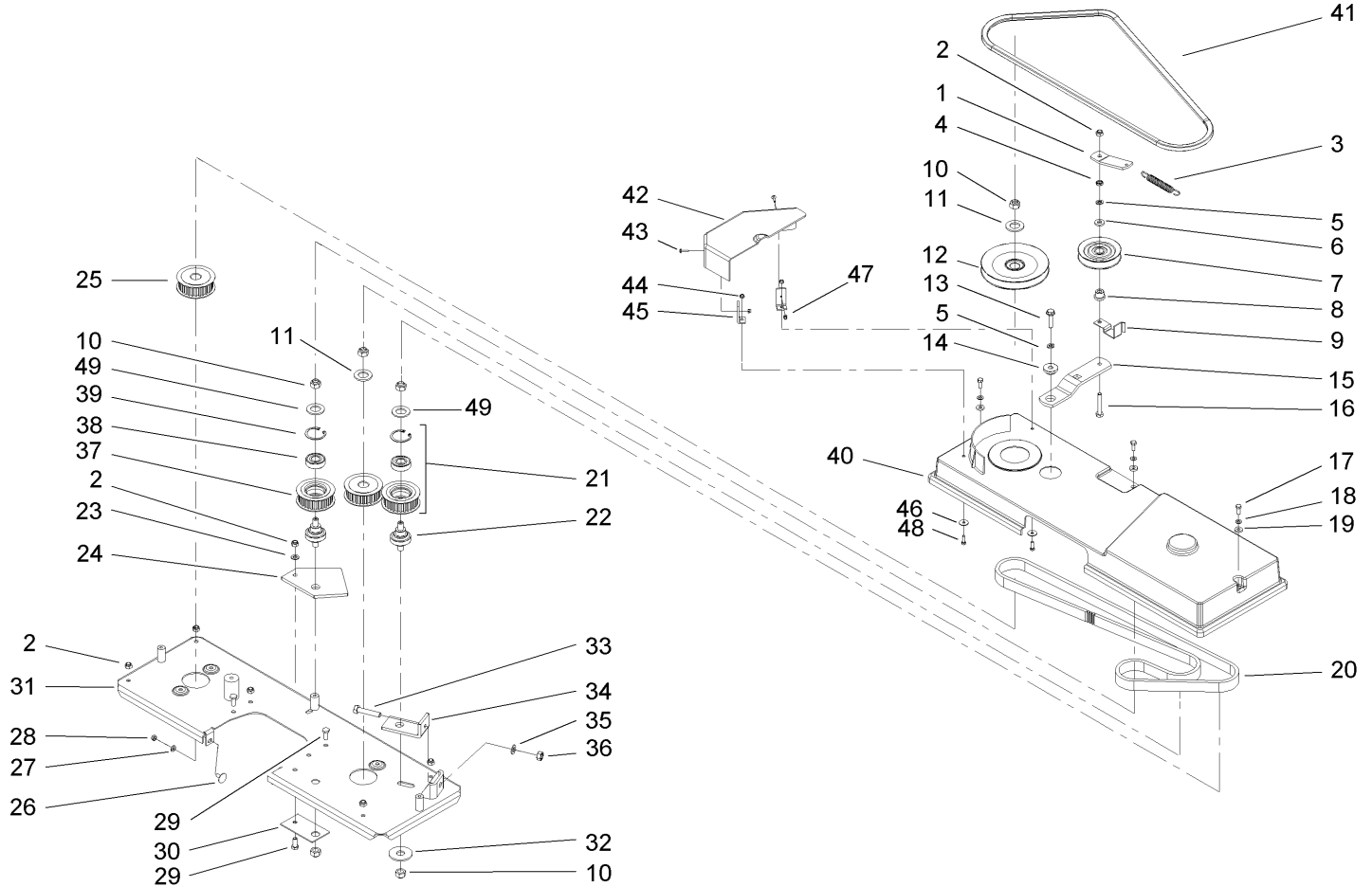
Ref	Part No.	Qty.	Description
23	106-8566	1	Shaft-Blade, Right
24	106-6533	2	Stiffener-Blade
25	106-5767	4	Washer
26	106-6530	2	Spacer



## Cutting Pan and Bag on Demand Assembly

Ref	Part No.	Qty.	Description
1	106-8583	1	Cover-Lever, Foot
2	106-8582	1	Lever-Foot
3	100-8159	2	Screw-HSFH
4	106-8578	1	Plate-Stop
5	33023-00	7	Nut-Lock
6	33093-00	1	Washer-Flat
7	106-8581	1	Roller
8	106-8579	1	Lever-Spring
9	106-8592	1	Ring-Locking
10	106-8577	1	Bracket-Mounting
11	106-8580	1	Spring
12	48-9510	2	Nut
13	106-8585	1	Rod-Door, Mulch
14	87-5140	6	Nut-Lock
15	52-6430	6	Washer
16	87-5150	2	Bolt
17	106-8567	2	Guide
18	106-8586	1	Gasket-Door, Mulch
19	106-8575	4	Screw-HH
20	106-8587	1	Kicker
21	33123-016	2	Screw-CARR
22	107-8968	1	Door-Mulch
23	106-8573	1	Baffle-Center
24	106-8572	2	Plate-Baffel, Center

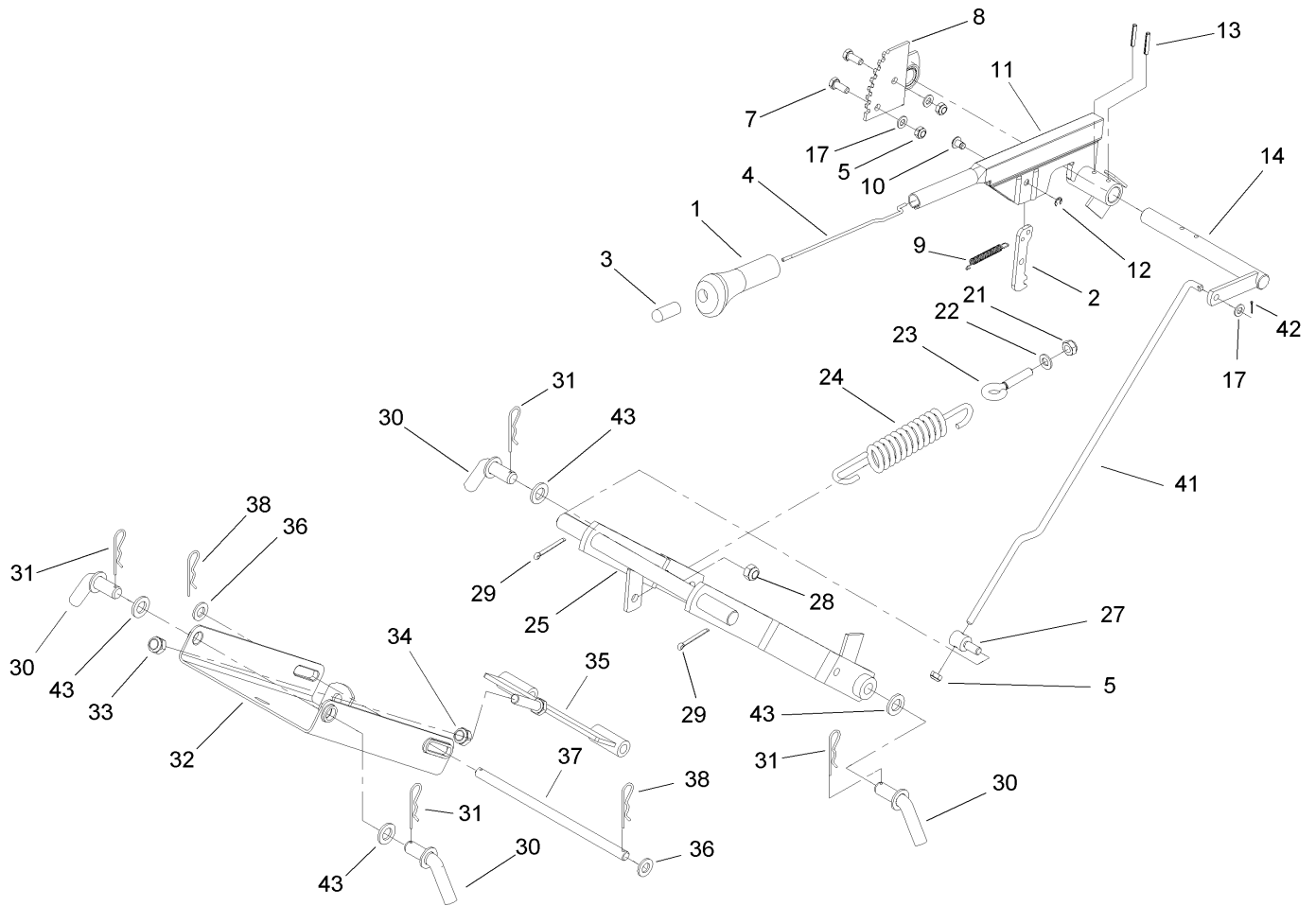
Ref	Part No.	Qty.	Description
25	106-8574	4	Screw
26	104-1451	2	Screw-TAP, PPH



## Cutting Pan and Drive System Assembly

Ref	Part No.	Qty.	Description
1	104-3099	1	Lever-Engagement
2	48-9510	8	Nut
3	104-3101	1	Spring
4	57-6390	1	Nut-Jam
5	42-9850	1	Washer-Lock, Spring
6	106-8588	1	Washer-Flat
7	104-3103	1	Pulley-Idler
8	104-3104	1	Bushing
9	104-3105	1	Retainer-Belt
10	48-9540	6	Nut-Lock, Hex NI
11	33099-00	4	Washer-Flat
12	104-3107	1	Pulley-Drive
13	33105-025	1	Screw-HHF
14	107-8995	1	Shim-Arm, Idler
15	104-3109	1	Arm-Idler
16	33114-050	1	Screw-HH
17	33113-016	3	Screw-HH
18	106-8568	3	Washer-Flat
19	83-7420	3	Washer-Rubber
20	106-8591	1	Belt-Cog
21	104-3113	2	Cog Pulley ASM
22	104-3114	2	Pin-Pulley, Cog
23	33094-00	1	Washer-Plain
24	104-3115	1	Support-Pulley

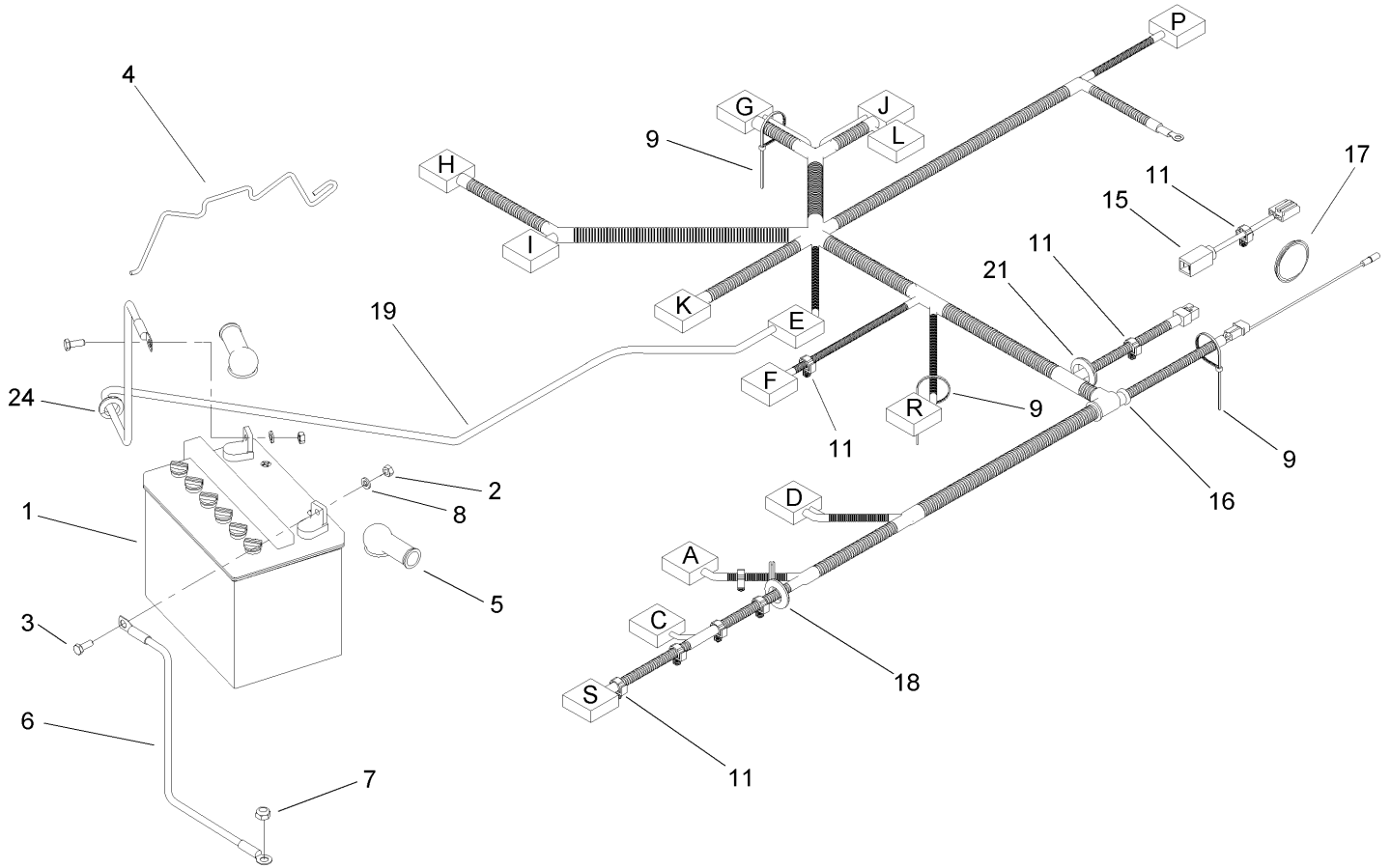
Ref	Part No.	Qty.	Description
25	104-3116	2	Pulley-Cog, Drive
26	33123-016	2	Screw-CARR
27	33093-00	2	Washer-Flat
28	33023-00	2	Nut-Lock
29	33114-025	3	Screw-HH
30	104-3117	1	Plate-Anchor
31	107-8996	1	Plate-Drive, Blade
32	104-2909	1	Washer
33	33115-050	1	Screw-HH
34	104-3120	1	Bracket-Idler
35	108-8709	2	Washer-Flat
36	48-9520	1	Nut
37	104-3121	1	Pulley-Cog
38	100-1048	1	Bearing-Ball
39	104-3123	1	Ring-Locking
40	106-8589	1	Belt-Cover
41	104-3127	1	V-Belt
42	107-8941	1	Guard-Belt
43	60-6910	2	Screw
44	87-5140	2	Nut-Lock
45	107-8940	2	Bracket
46	3256-61	4	Washer-Flat
47	46-0430	2	Nut-Lock
48	107-8918	2	Screw



## Mower Lift Assembly

Ref	Part No.	Qty.	Description
1	104-3129	1	Grip-Handle
2	104-3130	1	Ratchet-Plate, Pivot
3	104-3131	1	Button-Plunger
4	104-3132	1	Rod-Connection
5	33024-00	3	Nut-Lock
7	33114-020	2	Screw-HH
8	104-3133	1	Segment-Gear
9	104-3134	1	Spring
10	104-3135	1	Pin-Arm Lever
11	104-3136	1	Lever-Arm, Height Adj.
12	104-3137	1	Clip-Pin
13	104-2994	2	Pin-Spring
14	104-3138	1	Shaft-Height Adj.
17	33094-00	3	Washer-Plain
21	33025-00	1	Nut-Lock
22	33095-00	1	Washer-Flat
23	104-3139	1	Bolt-Eye
24	104-3140	1	Spring-Lift
25	104-3141	1	Pivot Arm ASM
27	104-3142	1	Pin-Lifting
28	33025-00	1	Nut-Lock
29	104-3016	2	Pin-Cotter
30	104-3143	4	Pin-Bent
31	104-3144	4	Pin-Hair

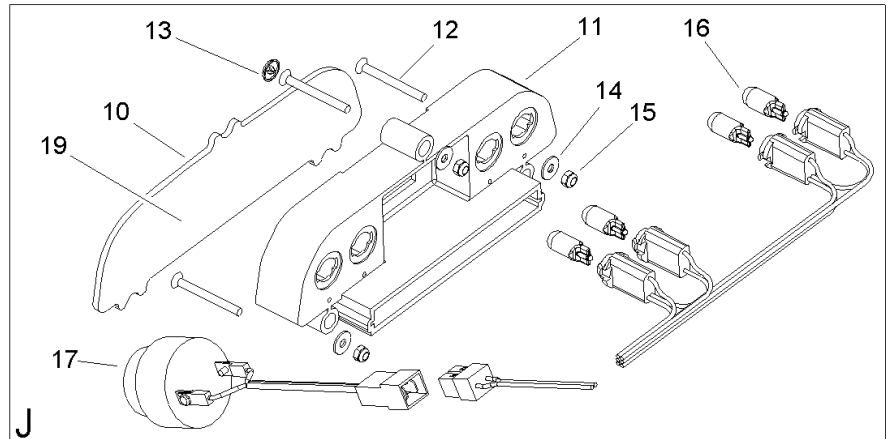
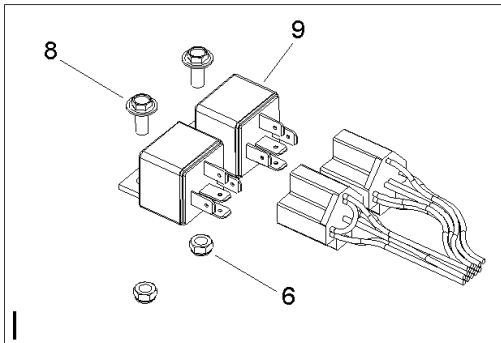
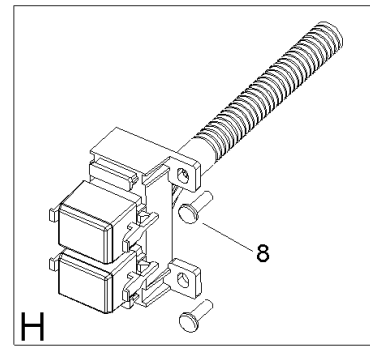
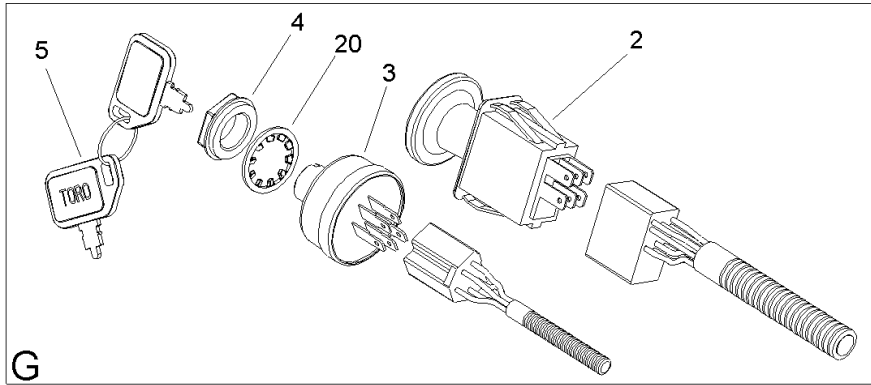
Ref	Part No.	Qty.	Description
32	104-3145	1	Suspension-Mower Deck, Front
33	33026-00	1	Nut-Lock
34	33016-00	1	Nut-Hex
35	104-3146	1	Holder-Front
36	104-3124	2	Washer-Flat
37	104-3147	1	Pin
38	104-3148	2	Clip-Hair Pin
41	104-3149	1	Rod-Height Adj.
42	104-3151	1	Pin-Cotter
43	34-9270	4	Washer-Hose



## Electrical Assembly

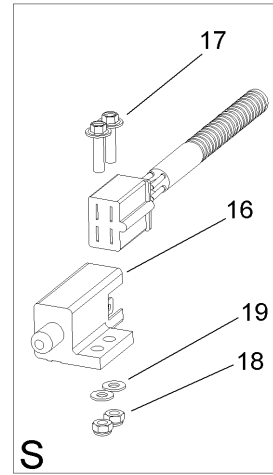
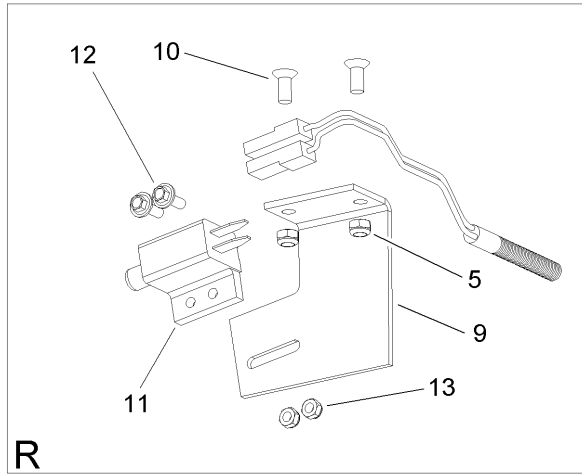
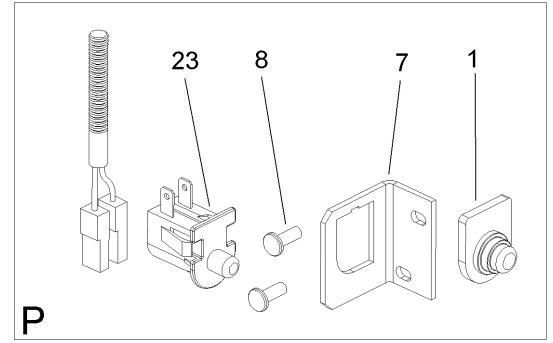
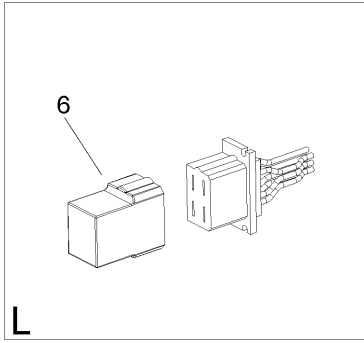
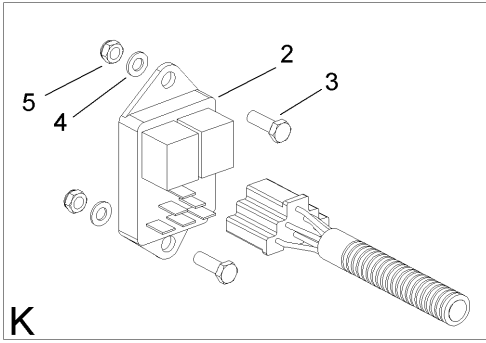
Ref	Part No.	Qty.	Description
1	104-3152	1	Battery-12V
2	33013-00	2	Nut-Hex
3	33113-016	2	Screw-HH
4	104-3153	1	Clamp-Battery
5	104-3154	2	Boot-Rubber
6	104-3155	1	Cable-Battery, Negative
7	33024-00	1	Nut-Lock
8	33093-00	2	Washer-Flat
9	3334-945	3	Tie-Cable
11	104-3157	8	Clip-Snap
15	104-3160	1	Harness-Clutch
16	108-8754	1	Harness-Wiring
17	104-3163	1	Cap
18	104-3165	2	Bushing
19	104-3166	1	Cable-Battery Positive
21	104-3168	1	Bushing
24	107-8950	1	Grommet



## Electrical Switch No. 2 Assembly

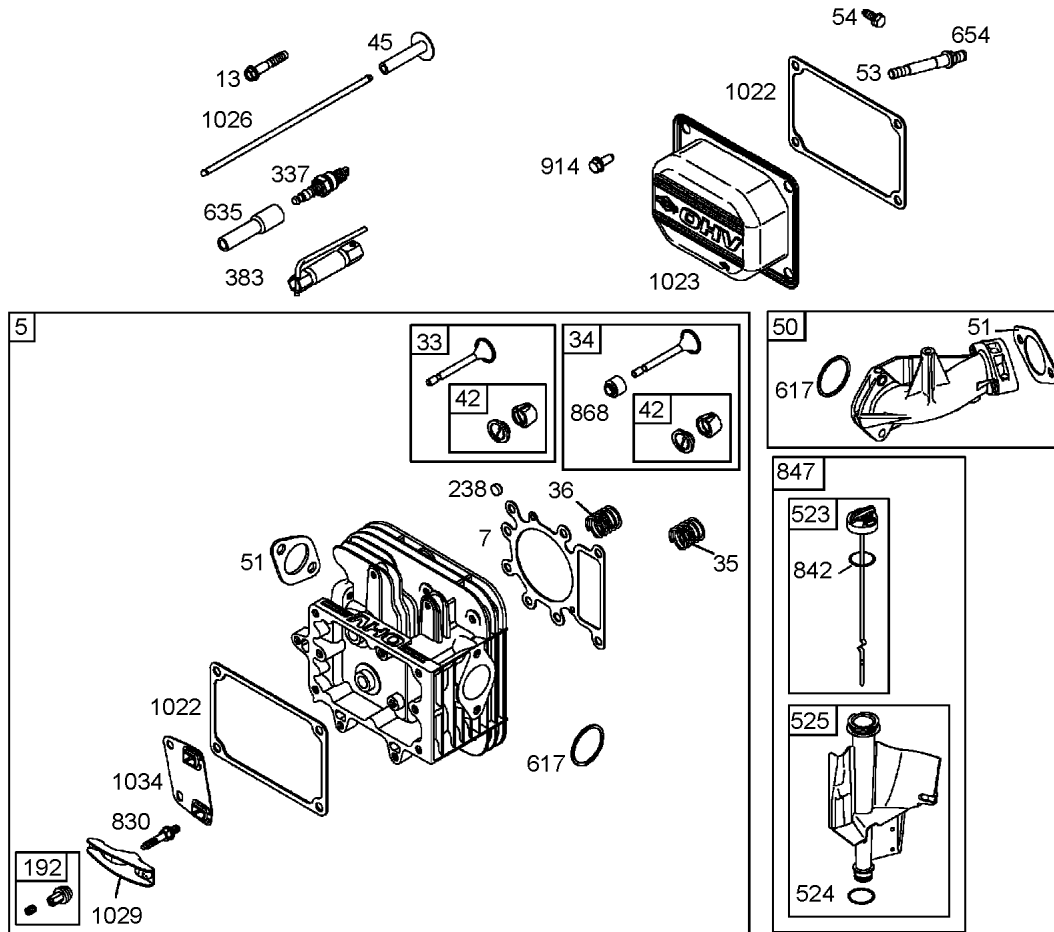
Ref	Part No.	Qty.	Description
2	93-9998	1	Switch-PTO
3	92-6785	1	Switch-Ignition
4	218-461	1	Nut-HH
5	62-7770	2	Key-Ignition
6	87-5140	2	Nut-Lock
8	104-2978	4	Screw-Hex
9	104-3173	2	Relay
10	92-6707	1	Lens-Dash Lights
11	92-6732	1	Housing-Light, Indicator
12	104-3191	3	Screw
13	104-3174	3	Screw-Cap
14	104-3175	3	Washer
15	104-2985	3	Nut-Hex
16	104-3176	3	Bulb
17	104-3177	1	Buzzer
19	107-2220	1	Decal-Dash
20	3254-5	1	Washer-Tooth

### Electrical Switch No. 3 Assembly

Ref	Part No.	Qty.	Description
1	104-3178	1	Cover-Protective
2	99-3701	1	Module-Clutch
3	60-6910	2	Screw
4	52-6430	2	Washer
5	87-5140	4	Nut-Lock
6	104-3169	1	Circuit-Memory
7	107-8954	1	Holder-Switch
8	104-3190	2	Screw
9	107-8955	1	Holder-Switch
10	104-2980	2	Screw
11	95-1653	1	Switch-Pole, Single
12	104-2983	2	Screw
13	104-2985	2	Nut-Hex
16	104-3330	1	Switch-Delta
17	104-3331	2	Bolt
18	46-0430	2	Nut-Lock
19	52-6430	2	Washer
23	104-3179	1	Switch-Delta

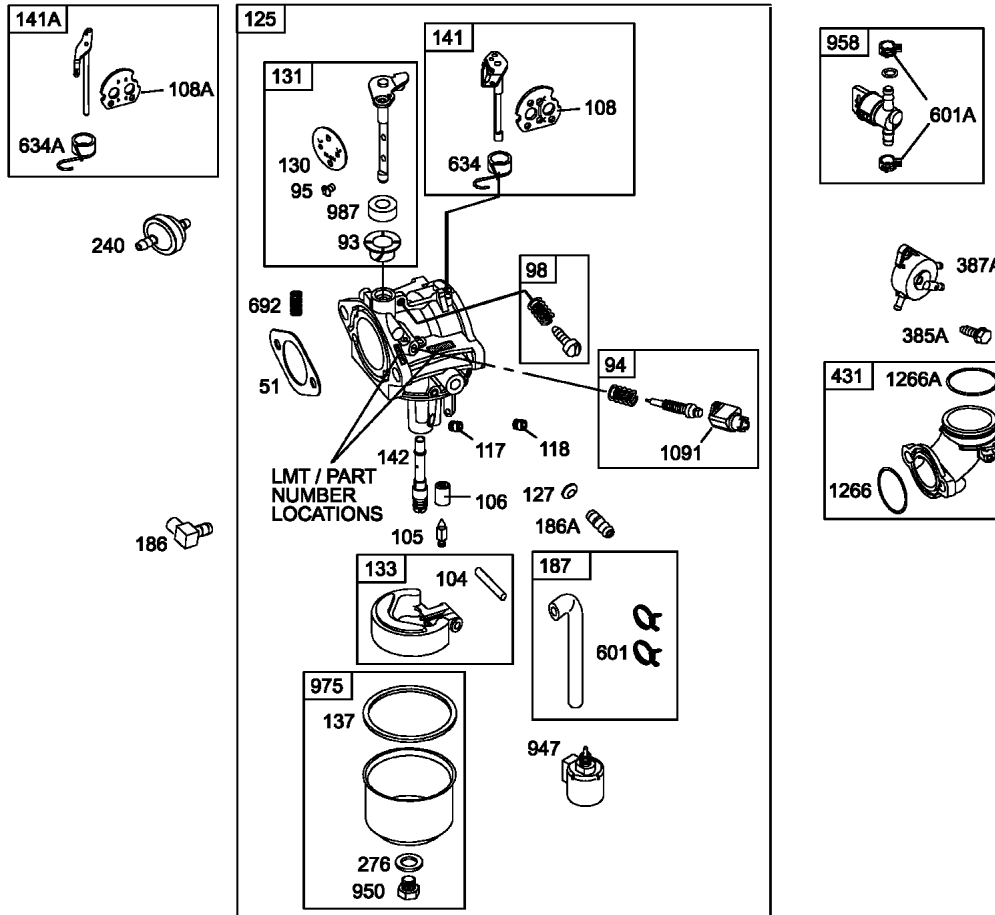


## Cylinder Head Assembly Briggs and Stratton 282H79-23502

Ref	Part No.	Qty.	Description
5	698148	1	Head-Cylinder
2 3 6	273280	1	Gasket-Cylinder Head
6	690360	1	Screw
6	695760	1	Valve-Exhaust
6	695761	1	Valve-Intake
6	691279	1	Spring-Valve
6	691279	1	Spring-Valve
6	499586	1	Keeper-Valve
6	690564	1	Tappet-Valve
2 3 6	690193	1	Manifold-Intake
6	692137	1	Gasket-Intake
6	690227	1	Stud
6	691148	1	Screw
6	691986	1	Adjustor-Arm, Rocker
6	691843	1	Cap-Valve
6	691043	1	Spark Plug
6	89838	1	Wrench-Plug, Spark
6	697086	1	Dipstick
2 6	691032	1	Seal-O Ring
6	697184	1	Tube-Dipstick
2 4 6	692138	1	Seal-O Ring
6	691909	1	Boot-Spark Plug

Ref	Part No.	Qty.	Description
6	690958	1	Nut
6	691095	1	Stud-Arm, Rocker
2 6	691031	1	Seal-O Ring
6	697611	1	Dipstick And Tube ASM
6	690968	1	Seal-Valve
6	691108	1	Screw
2 6	272475	1	Gasket-Cover, Rocker
2 3 6	692492	1	Cover-Rocker
6	692003	1	Rod-Push
6	692011	1	Rod-Push
6	691751	1	Arm-Rocker
6	690822	1	Guide-Rod, Push

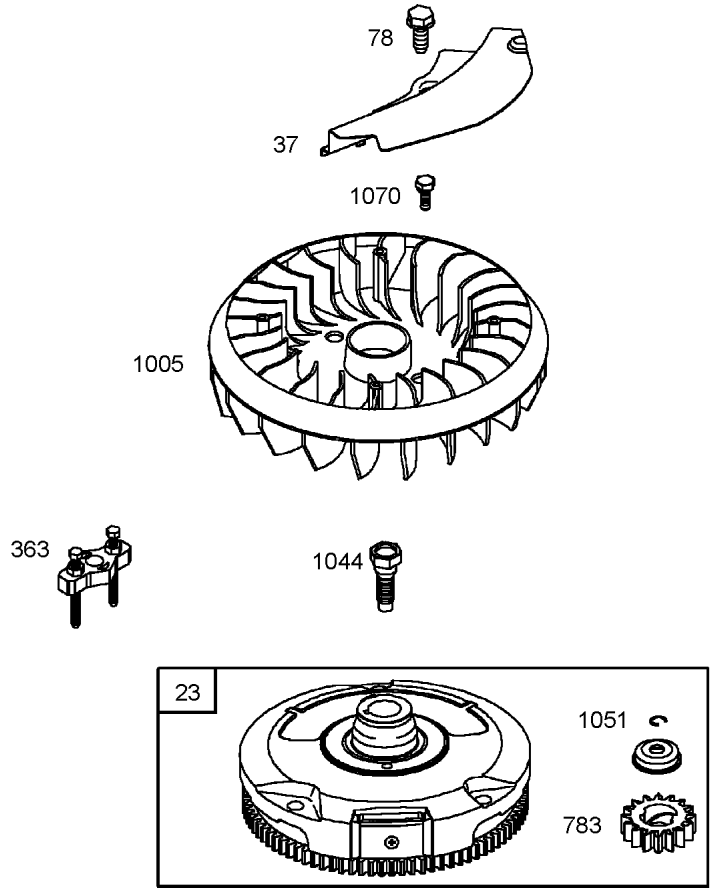


## Carburetor Assembly Briggs and Stratton 282H79-23502

Ref	Part No.	Qty.	Description
2 3 51	692137	1	Gasket-Intake
4 6			
4 6 93	690602	1	Bushing-Shaft, Throttle
4 6 94	498030	1	Idle Mixture Kit
6 95	691636	1	Screw
6 98	495800	1	Idle Speed Kit
4 6 104	690525	1	Pin-Hinge, Carburetor Float
4 6 105	231855	1	Valve-Needle, Float
4 6 106	690577	1	Seat-Inlet
6 108	690464	1	Valve-Choke
6 108A	692344	1	Valve-Choke
4 6 117	694352	1	Jet-Main (STD)
6 118	697228	1	Jet-Main (High Altitude)
4 6 125	698445	1	Carburetor
6 127	695005	1	Plug-Welch
6 130	691750	1	Valve-Throttle
6 131	494379	1	Throttle Shaft Kit
6 133	494381	1	Float-Carburetor
4 5 137	281165	1	Gasket-Bowl, Float
6			
6 141	495097	1	Choke Shaft Kit
6 141A	495931	1	Choke Shaft Kit
4 6 142	697140	1	Nozzle-Carburetor
6 186	692317	1	Connector-Hose

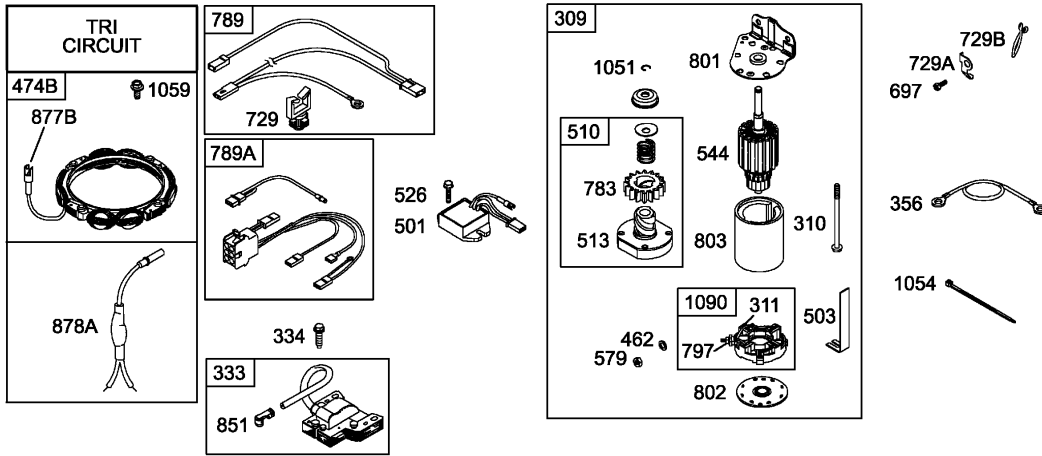
Ref	Part No.	Qty.	Description
6 186A	698174	1	Connector-Hose
6 187	691050	1	Line-Fuel (Cut To Required Length)
6 240	394358	1	Filter-Fuel
4 5 276	692255	1	Washer-Sealing
6			
6 385A	690297	1	Screw (Fuel Pump)
6 387A	808656	1	Pump-Fuel
6 431	697122	1	Elbow-Intake
6 601	95162	1	Clamp-Hose
6 601A	691038	1	Clamp-Hose
4 6 634	690801	1	Spring / Seal ASM
4 6 634A	690802	1	Spring And Seal ASM
6 692	690572	1	Spring-Detent
6 947	694393	1	Solenoid-Fuel
6 950	695407	1	Screw
6 958	698183	1	Valve-Shut Off, Fuel
6 975	495933	1	Bowl-Float
4 6 987	691326	1	Seal-Shaft, Throttle
6 1091	691333	1	Cap-Limiter
2 4 1266	691917	1	Seal-O Ring
6			
4 6 1266A	697123	1	Seal-O Ring






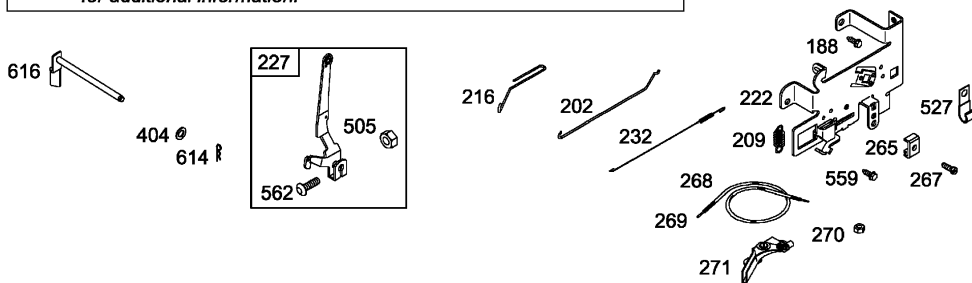
## Flywheel Assembly Briggs and Stratton 282H79-23502

Ref	Part No.	Qty.	Description
⑥23	693556	1	Flywheel
⑥37	697352	1	Guard-Flywheel
⑥78	691003	1	Screw
⑥363	19203	1	Puller-Flywheel
⑥783	693713	1	Gear-Pinion
⑥1005	699043	1	Fan-Flywheel
⑥1044	691658	1	Screw-Crankshaft Extension
⑥1051	691265	1	Ring-Retaining
⑥1070	690372	1	Screw



**NOTE:** All stators use a No. 1119 mounting screw. 

**NOTE:** The proper flywheel part number and/or the alternator magnet size will determine the alternator type or output. See repair instruction manual for additional information.

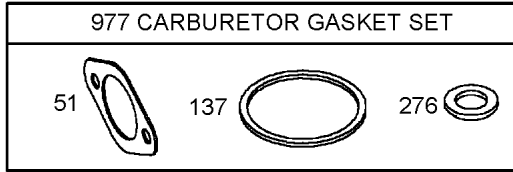
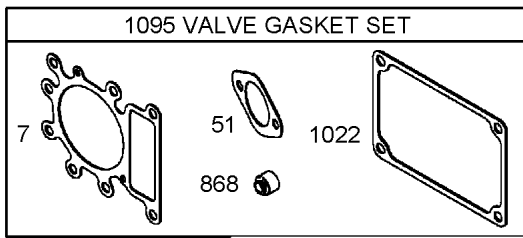


## Starter and Electrical Assembly Briggs and Stratton 282H79-23502

Ref	Part No.	Qty.	Description
⑥188	691693	1	Screw
⑥202	691841	1	Link-Governor, Mechanical
⑥209	691795	1	Spring-Governor
⑥216	691840	1	Link-Choke
⑥222	694042	1	Bracket-Control
⑥227	691374	1	Lever-Control, Governor
⑥232	691842	1	Spring-Link, Governor
⑥265	691024	1	Clamp-Casing
⑥267	690804	1	Screw
⑥268	691025	1	Casing-Control Wire (Cut To Required Length)
⑥269	691026	1	Wire-Control (Cut To Required Length)
⑥270	691027	1	Nut (Control Wire Casing)
⑥271	691028	1	Lever-Control
⑥309	693551	1	Motor-Starter
⑥310	690323	1	Bolt
⑥311	497608	1	Brush Set
⑥333	492341	1	Armature-Magneto
⑥334	691061	1	Screw
⑥356	697089	1	Stop-Wire
⑥404	691691	1	Washer
⑥462	691261	1	Washer
⑥474B	696457	1	Alternator

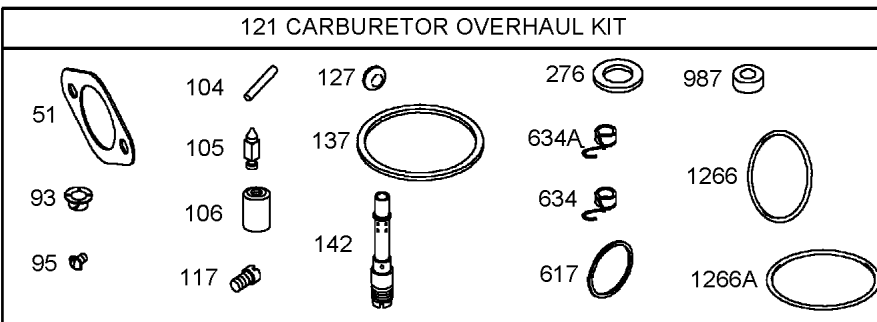
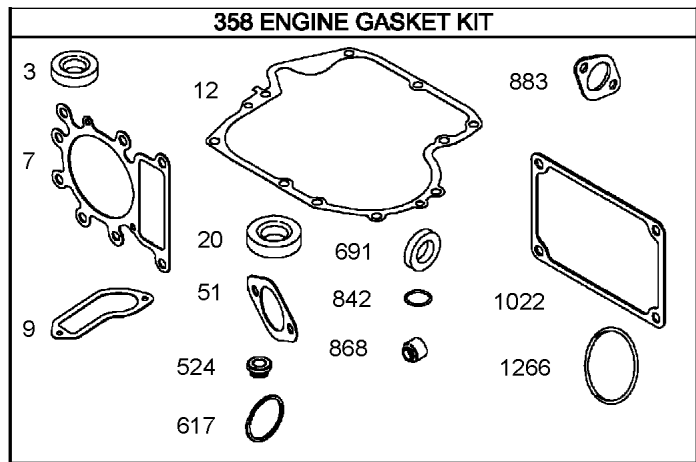
Ref	Part No.	Qty.	Description
⑥501	691188	1	Regulator
⑥503	691532	1	Strap-Starter
⑥505	691251	1	Nut
⑥510	693699	1	Drive-Starter
⑥513	692024	1	Clutch-Drive
⑥526	697088	1	Screw
⑥527	698467	1	Clamp-Tube
⑥544	692034	1	Armature-Starter
⑥559	697561	1	Screw (Remote Choke Stop)
⑥562	691119	1	Screw
⑥579	691029	1	Nut
⑥614	691620	1	Pin-Cotter
⑥616	692012	1	Crank-Governor
⑥697	690372	1	Screw
⑥729	691335	1	Clip-Wire
⑥729A	691224	1	Clip-Wire
⑥729B	694123	1	Clip-Wire
⑥783	693713	1	Gear-Pinion
⑥789	692037	1	Wiring-Harness
⑥789A	698329	1	Harness-Wiring
⑥797	693167	1	Nut
⑥801	691283	1	Cap-Drive
⑥802	691286	1	Cap-End
⑥803	693757	1	Housing-Starter





1019 LABEL KIT 1330 REPAIR MANUAL

1058 OWNER'S MANUAL



## Gasket Assembly Briggs and Stratton 282H79-23502

Ref	Part No.	Qty.	Description
263	391086	1	Seal-Oil
267	273280	1	Gasket-Head, Cylinder
6			
269	697109	1	Gasket-Breather
2612	697110	1	Gasket-Crankcase
2620	690947	1	Seal-Oil
2651	692137	1	Gasket-Intake
6			
2693	690602	1	Bushing-Shaft, Throttle
6			
695	691636	1	Screw
66104	690525	1	Pin-Hinge, Carburetor Float
66105	231855	1	Valve-Needle, Float
66106	690577	1	Seat-Inlet
66117	694352	1	Jet-Main (STD)
6121	697241	1	Carburetor Overhaul Kit
6127	695005	1	Plug-Welch
66137	281165	1	Gasket-Bowl, Float
66142	697140	1	Nozzle-Carburetor
66276	692255	1	Washer-Sealing
6358	697151	1	Engine Gasket Set
26524	691032	1	Seal-O Ring
26617	692138	1	Seal-O Ring
6			
66634	690801	1	Spring / Seal ASM

Ref	Part No.	Qty.	Description
66634A	690802	1	Spring And Seal ASM
26691	692407	1	Seal-Shaft, Governor
26842	691031	1	Seal-O Ring
26868	690968	1	Seal-Valve
6			
26883	692236	1	Gasket-Exhaust
6977	690192	1	Carburetor Gasket Set
6987	691326	1	Seal-Shaft, Throttle
61019	698814	1	Kit-Label
261022	272475	1	Gasket-Cover, Rocker
6			
61058	275038	1	Owner's Manual
61095	691581	1	Valve Gasket Set
661266	691917	1	Seal-O Ring
661266A	697123	1	Seal-O Ring
61330	272147	1	Repair Manual

## NOTES

