



DH 200 Lawn Tractor

Model No. 74573 - 270000001 and up.

Parts Catalog

Ordering Replacement Parts

To order replacement parts, please supply the part number, the quantity, and the description of each part desired.

Understanding Reference Numbers

Each identified part in an illustration has a reference number. The reference number for a part also appears in the parts list, along with other information about the part.

This catalog uses two special reference number formats, one to indicate parts in a service assembly and another to indicate the quantity of a given part in an illustration.

Service Assembly Reference Numbers

Parts in service assemblies have reference numbers in the form a:b. The a represents the reference number of the entire service assembly and the b represents a sequential number unique to each part within the service assembly.

For example, a wheel assembly might be identified by reference number 6, the tire by 6:1, the valve by 6:2, and the wheel by 6:3. When you order the assembly identified by reference number 6, you receive all parts identified by reference numbers 6:1, 6:2, and 6:3. However, you may also order any part individually. Reference numbers of this type appear in illustrations and in part lists.

Reference Numbers Indicating Quantity

In an illustration, if a reference number indicates more than one part, the reference number has the form nX y. The n represents the quantity of the part, the X is the multiplication symbol, and the y represents the reference number.

For example, in an illustration, the reference number 2X 37 means that two of the parts identified by reference number 37 are indicated.

Contents

Description	Page	Description	Page
Frame Assembly 4	Deck Housing Assembly 27
Front Axle Assembly 6	Cutting Pan and Bag on Demand Assembly 28
Steering Assembly 7	Cutting Pan and Drive System Assembly 29
Hood Assembly 8	Mower Lift Assembly 31
Engine Assembly 9	Harness Assembly 32
Operation, Brake and Bypass Assembly 10	Electrical Switch No. 1 Assembly 33
Operation and Travel Pedal Assembly 11	Electrical Switch No. 2 Assembly 34
Transmission Drive Assembly 12	Electrical Switch No. 3 Assembly 35
Control Shaft Assembly Transmission Assembly No. 104-2889 14	Cylinder Assembly Briggs and Stratton Model 31A607-0117-E1 36
Motor Shaft Assembly Transmission Assembly No. 104-2889 15	Cylinder Head Assembly Briggs and Stratton Model 31A607-0117-E1 37
Transaxle Case Assembly Transmission Assembly 104-2889 16	Crankshaft Assembly Briggs and Stratton Model 31A607-0117-E1 38
Differential Gear Assembly Transmission Assembly No. 104-2889 17	Crankcase Assembly Briggs and Stratton Model 31A607-0117-E1 39
Final Pinion Assembly Transmission Assembly No. 104-2889 18	Carburetor Assembly Briggs and Stratton Model 31A607-0117-E1 40
Axle Shaft Assembly Transmission Assembly No. 104-2889 19	Carburetor Assembly (Nikki) Briggs and Stratton Model 31A607-0117-E1 41
Brake Assembly Transmission Assembly No. 104-2889 20	Governor Assembly Briggs and Stratton Model 31A607-0117-E1 42
Fan Pulley Assembly Transmission Assembly No. 104-2889 21	Blower Housing Assembly Briggs and Stratton Model 31A607-0117-E1 43
Range Shift Assembly Transmission Assembly No. 104-2889 22	Starter Assembly Briggs and Stratton Model 31A607-0117-E1 44
Center Case Assembly Transmission Assembly No. 104-2889 23	Gasket Set Briggs and Stratton Model 31A607-0117-E1 45
Pump Shaft Assembly Transmission Assembly No. 104-2889 24	Carburetor Overhaul Kit Briggs and Stratton Model 31A607-0117-E1 46
Grass Collector Assembly No. 106-5760 25	Carburetor Overhaul Kit (Nikki) Briggs and Stratton Model 31A607-0117-E1 47
Tunnel Assembly 26	Attachments and Accessories List 48

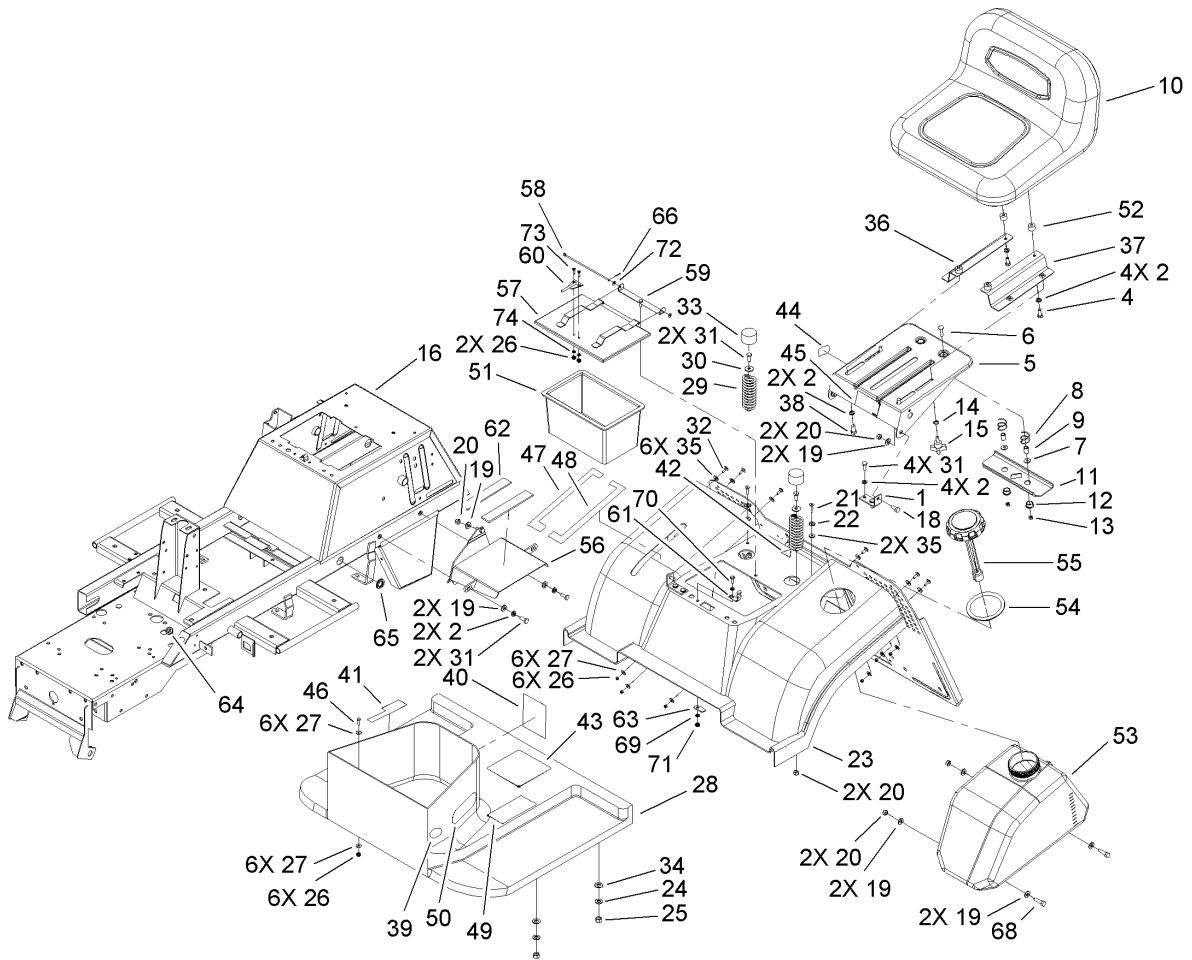
Part Description Abbreviations

Part descriptions in this catalog may include the following abbreviations.

AR.	as required	HYD.	hydraulic
ASM.	assembly	LH.	left hand
BBC.	blade brake clutch	NI.	nylon insert
CARR.	carriage	NPTF.	national pipe thread fine
DEG.	degrees	PFH.	phillips flat head
EXT.	external	PPH.	phillips pan head
FH.	flat head	PPHTF.	phillips pan head thread forming
GA.	gauge	PRH.	phillips round head
HD.	heavy-duty	PTH.	phillips truss head
HF.	hex flange	PTO.	power-take-off
HH.	hex head	RH.	right hand
HHF.	hex head flange	ROPS.	roll-over protection system
HHFTF.	hex head flange thread forming	SFH.	slotted fillister head
HJ.	hex jam	SHH.	slotted hex head
HLH.	hex lag head	SHWH.	slotted hex washer head
HOC.	height-of-cut	SPH.	slotted pan head
HSBH.	hex socket button head	SQH.	square head
HSFH.	hex socket flat head	SRH.	slotted round head
HSH.	hex socket head	STD.	standard
HWH.	hex washer head	TAP.	self tapping
HWHTF.	hex washer head thread forming	TTH.	torx truss head

Footnotes

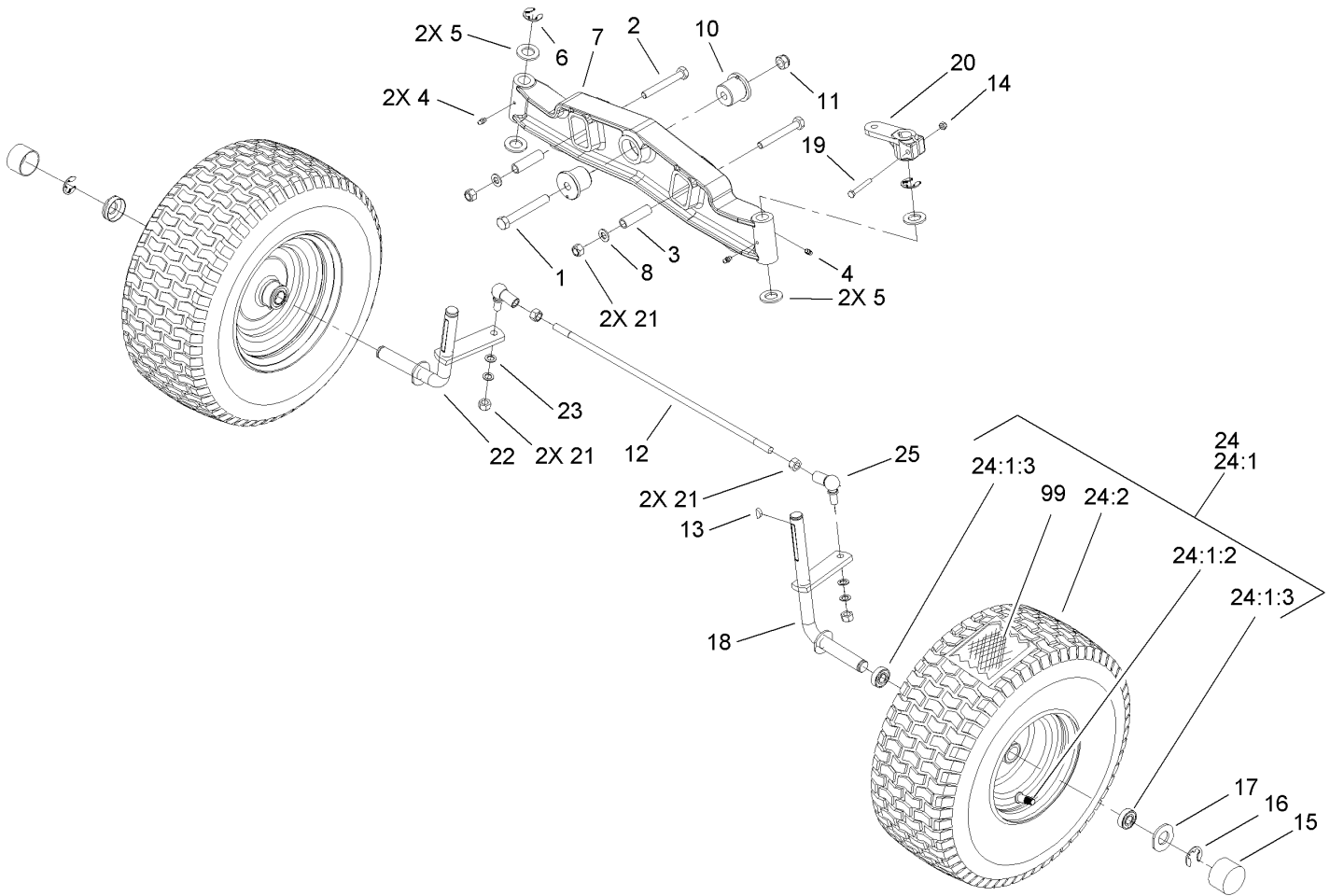
- | | | | |
|---|--|---|---|
| ❶ | Not illustrated | ❷ | Not serviced separately |
| ❸ | Obtain from your local Briggs & Stratton dealer | ❹ | Included in Carburetor Overhaul Kit (Ref. No. 121) |
| ❺ | Included in Engine Gasket Set (Ref. No. 358) | ❻ | Included in Carburetor Gasket Set (Ref. No. 977) |
| ❻ | Included in Valve Gasket Set (Ref. No. 1095) | ❼ | For Service of Nikki Carburetors |
| ❽ | Included in Carburetor Overhaul Kit (Ref. No. 121, 121A) | ❿ | Included in Carburetor Overhaul Kit (Ref. No. 121A) |



Frame Assembly

Ref	Part No.	Qty.	Description
1	104-2926	2	Bracket-Support, Seat
2	42-9850	12	Washer-Lock, Spring
4	322-3	4	Screw-HH
5	104-2929	1	Support-Seat
6	104-2930	2	Bolt-Carriage
7	104-2931	2	Washer-Flat
8	104-2932	2	Spring-Seat
9	104-2933	2	Spacer-Split
10	107-2214	1	Seat ASM
11	104-2934	1	Bracket
12	104-2935	2	Bushing
13	33023-00	2	Nut-Lock
14	104-2936	2	Washer-Spring
15	104-2937	2	Knob-Adj.
16	107-8948	1	Chassis-Frame
18	104-2939	2	Screw-Support, Seat
19	33094-00	9	Washer-Plain
20	33024-00	7	Nut-Lock
21	104-2940	2	Screw-HSFH
22	104-2941	2	Washer-Finish
23	110-8668	1	Fender-Rear
24	33095-00	4	Washer-Flat
25	33025-00	4	Nut-Lock
26	87-5140	14	Nut-Lock

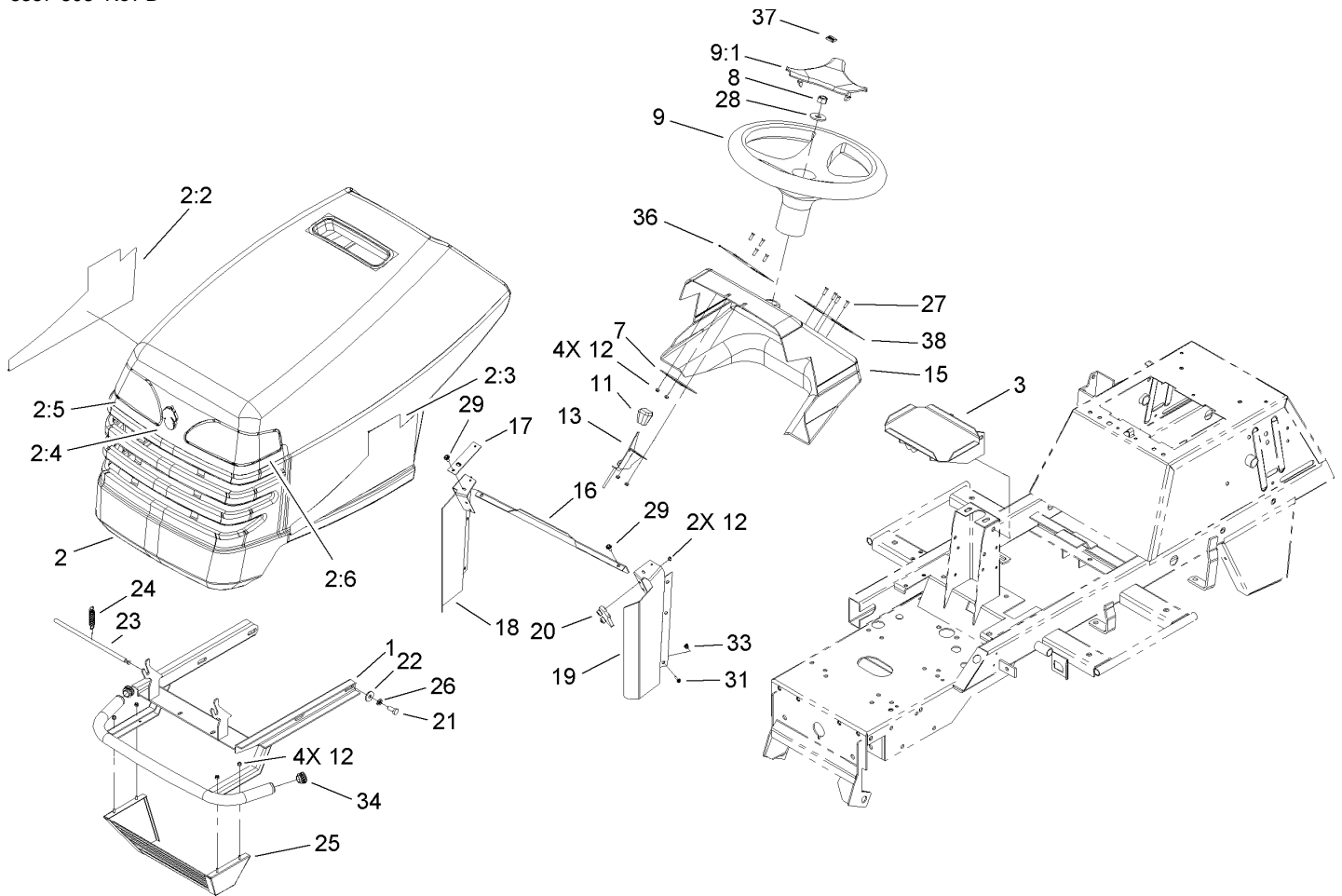
Ref	Part No.	Qty.	Description
27	104-2943	18	Washer-Flat
28	104-2944	1	Footrest ASM
29	104-2945	2	Spring-Seat
30	104-2946	2	Washer-Plain
31	33114-020	8	Screw-HH
32	104-2948	6	Bolt-Carriage
33	104-2857	2	Cap-Hub
34	104-2951	4	Washer-Rubber
35	104-2952	8	Washer-Rubber
36	107-8915	1	Bracket-Seat, RH
37	107-8916	1	Bracket-Seat, LH
38	104-3195	2	Screw
39	104-3237	1	Decal-Brake, Parking
40	104-3238	1	Decal-Starting
41	104-3241	1	Decal-Operation, Hydro
42	104-3242	1	Decal-Bag To Frame
43	104-2903	1	Decal-Instruction
44	99-5340	1	Decal-Switch
45	93-7276	1	Decal-Danger
46	60-6910	6	Screw
47	104-3239	1	Decal-HOC, LH
48	104-3240	1	Decal-HOC, RH
49	106-8552	1	Decal-Operation
50	107-8974	2	Decal-Tower



Front Axle Assembly

Ref	Part No.	Qty.	Description
1	33116-090	1	Screw-HH
2	33115-080	2	Screw-HH
3	107-8949	2	Spacer
4	104-2904	3	Fitting-Grease
5	104-2905	4	Washer-Flat
6	104-2891	2	Clip-Spring
7	104-2852	1	Axle-Front
8	104-2906	2	Washer-Flat
10	104-2890	2	Bushing-Axle, Front
11	104-2907	1	Nut-Self Locking
12	104-2855	1	Rod-Tie, Front Axle
13	104-2856	1	Key-Woodruff
14	33023-00	1	Nut-Lock
15	104-2857	2	Cap-Hub
16	104-2891	2	Clip-Spring
17	107-8998	2	Retainer-Cap, Hub
18	108-8776	1	Spindle-LH
19	33113-045	1	Screw-HH
20	104-2862	1	Lever-Spindle, Steering
21	33025-00	6	Nut-Lock
22	107-8926	1	RH Spindle ASM
23	106-5757	4	Washer
24	110-9087	2	Wheel And Tire ASM
24:1	110-9088	1	Wheel ASM(15X6.0X6)

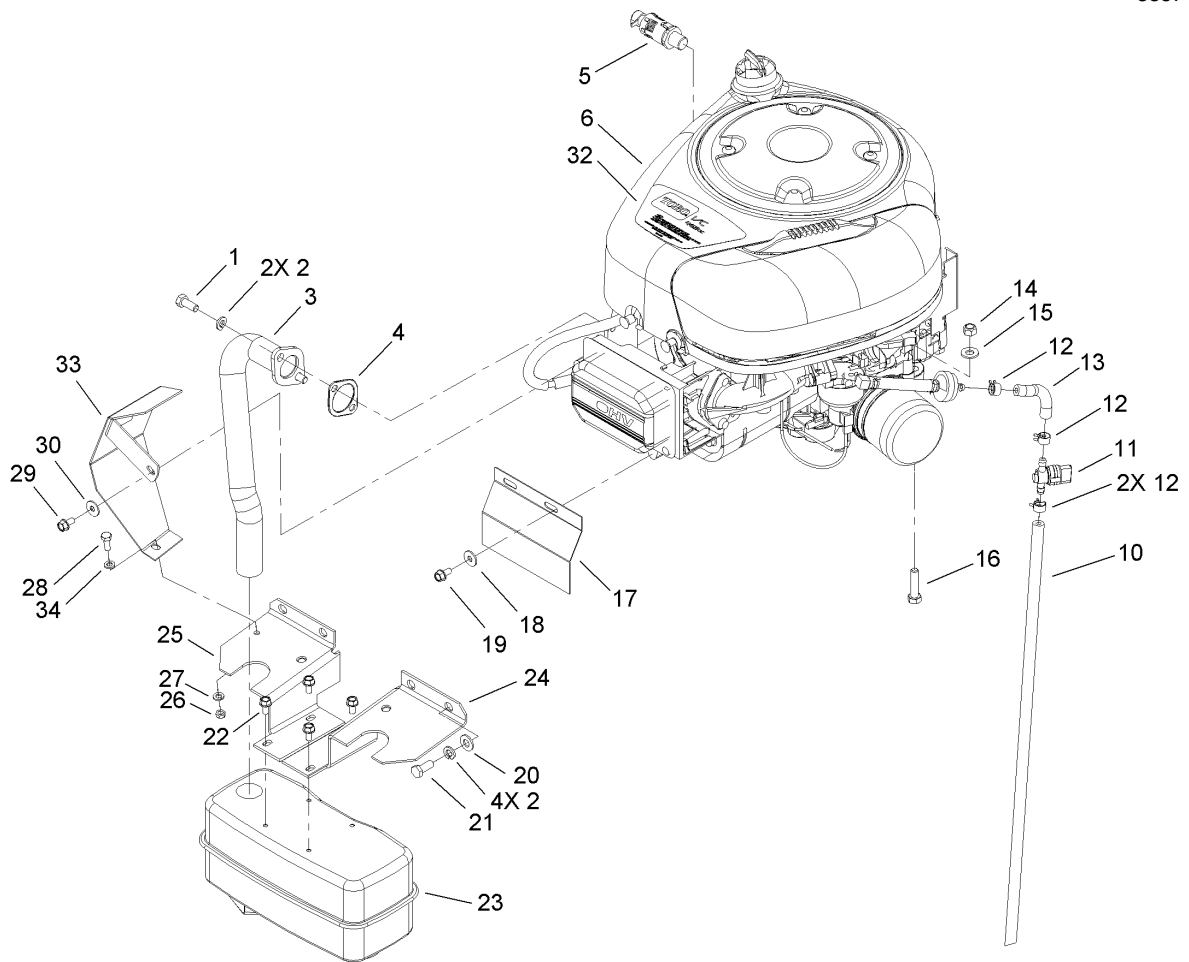
Ref	Part No.	Qty.	Description
24:1:2	106-8596	1	Valve-Tire
24:1:3	110513	2	Bearing-Wheel
24:2	99-2988	1	Tire
25	104-2876	2	Joint-Ball, Angle
99	232-39	1	Tube-Inner



Hood Assembly

Ref	Part No.	Qty.	Description
1	107-2216	1	Support-Bumper
2	107-8986	1	Hood-Assembly
2:2	107-8913	1	Decal-Hood, RH
2:3	107-8902	1	Decal-Hood, LH
2:4	95-4248	1	Decal
2:5	107-8983	1	Lens-Headlamp, RH
2:6	107-8984	1	Lens-Headlamp, LH
3	110-8679	1	Tray-Battery
7	104-2962	1	Brace
8	33026-00	1	Nut-Lock
9	98-1471	1	Wheel-Steering
9:1	98-1468	1	Cover-Wheel, Steering
11	66-0120	1	Knob
12	87-5140	10	Nut-Lock
13	106-4166	1	Cable-Throttle And Choke
15	104-2968	1	Panel-Dash
16	104-2970	1	Brace
17	104-2971	1	Bracket
18	104-2972	1	Panel-Right
19	104-2973	1	Panel-Left
20	92-6960	2	Latch-Hood
21	33114-020	4	Screw-HH
22	104-2946	4	Washer-Plain
23	104-2974	1	Bar-Safety

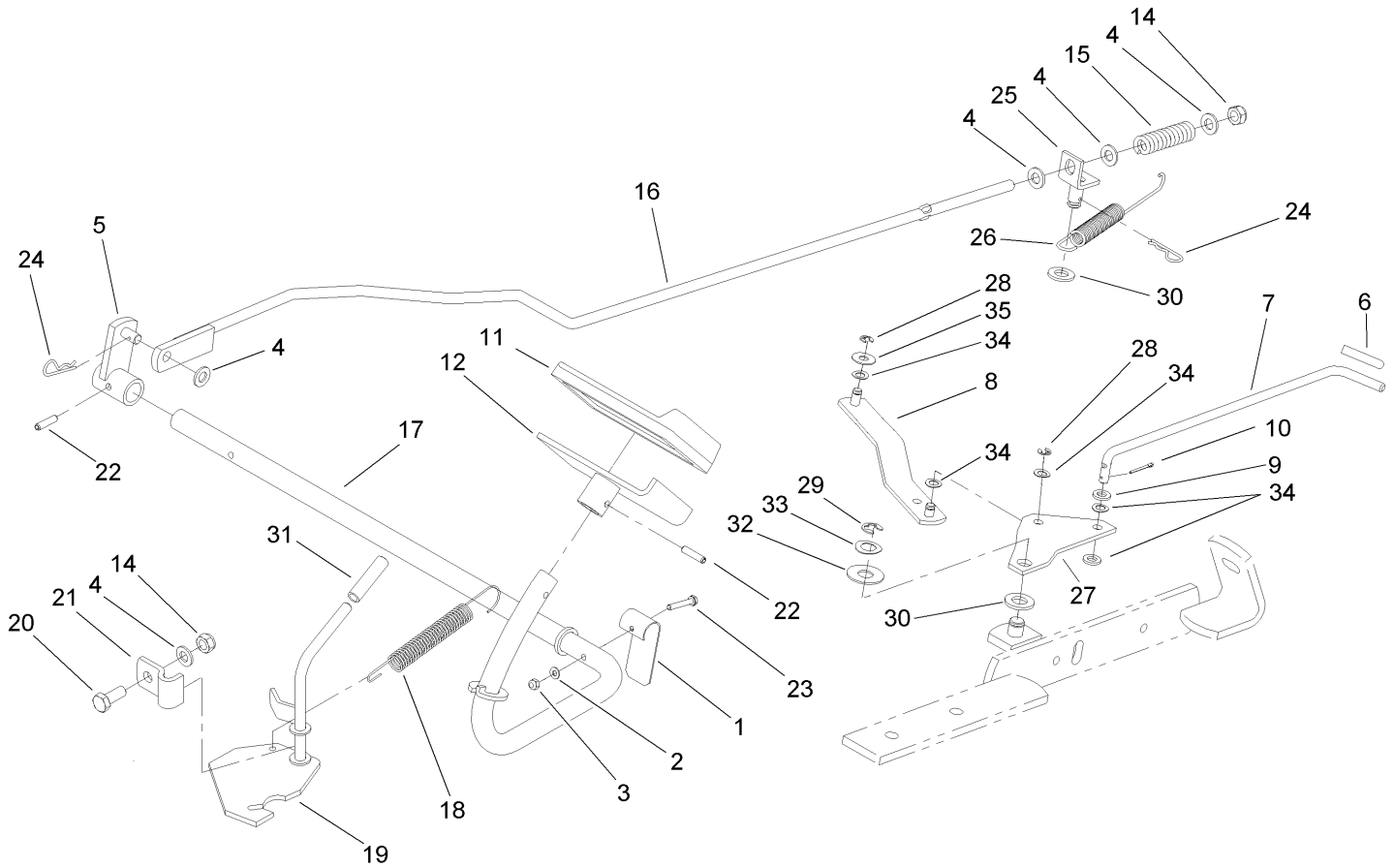
Ref	Part No.	Qty.	Description
24	104-2975	1	Spring-Hood
25	107-2218	1	Guard-Muffler
26	42-9850	4	Washer-Lock, Spring
27	106-5759	4	Screw
28	106-5758	1	Washer
29	104-2980	2	Screw
31	107-8918	6	Screw
33	104-2985	6	Nut-Hex
34	107-8943	2	End Cap-Tube
36	107-8920	1	Decal-Dash Throttle And Ignition
37	98-1459	1	Decal
38	104-3235	1	Decal-PTO



Engine Assembly

Ref	Part No.	Qty.	Description
1	322-3	2	Screw-HH
2	42-9850	6	Washer-Lock, Spring
3	104-3221	1	Tube-Exhaust
4	88-4410	1	Gasket-Muffler
5	104-3208	1	Valve-Oil Drain
2 2 6		1	Engine-Briggs And Stratton, 31A607-0117-E1
10	110-8692	1	Line-Fuel
11	104-3224	1	Valve-Tank, Fuel
12	104-3212	4	Clamp-Line, Fuel
13	104-3213	1	Line-Fuel
14	33024-00	4	Nut-Lock
15	33094-00	4	Washer-Plain
16	33114-035	4	Screw-HH
17	104-3222	1	Cover-Front
18	104-2931	2	Washer-Flat
19	106-5763	2	Screw
20	33094-00	4	Washer-Plain
21	33114-020	4	Screw-HH
22	106-5763	4	Screw
23	104-3229	1	Muffler
24	104-3214	1	Guard-Muffler, LH
25	104-3215	1	Guard-Muffler, RH
26	33013-00	1	Nut-Hex

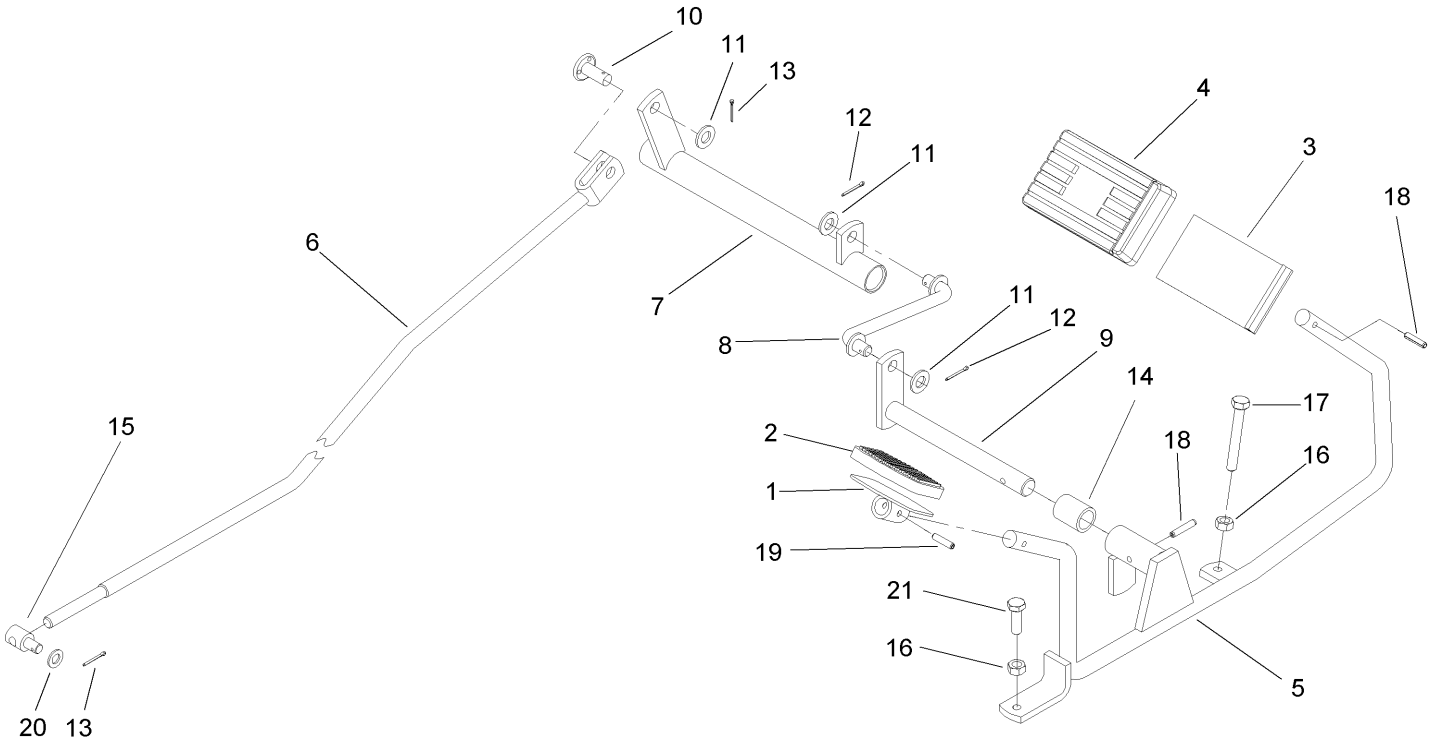
Ref	Part No.	Qty.	Description
27	104-3186	1	Washer-Spring
28	33113-016	1	Screw-HH
29	106-5763	1	Screw
30	104-2931	1	Washer-Flat
32	107-4924	1	Decal
33	105-1242	1	Cover-Manifold, Exhaust
34	33093-00	1	Washer-Flat



Operation, Brake and Bypass Assembly

Ref	Part No.	Qty.	Description
1	104-2992	1	Lever-Spring
2	104-2984	1	Washer
3	104-2985	1	Nut-Hex
4	33094-00	5	Washer-Plain
5	104-2993	1	Bracket-Rod, Brake
6	108-8708	1	Cap-Bypass Lever, Hydro
7	104-2995	1	Rod-Lever, Bypass
8	107-8944	1	Lever-Bypass
9	104-3193	2	Washer
10	104-2997	1	Pin-Cotter
11	104-2998	1	Pad-Pedal
12	104-2999	1	Pedal
14	33024-00	2	Nut-Lock
15	104-3002	1	Spring-Brake
16	104-3003	1	Rod-Connecting, Brake
17	104-3004	1	Shaft-Brake
18	104-3005	1	Spring-Brake, Hand
19	104-3006	1	Lever-Brake, Hand
20	33114-020	1	Screw-HH
21	104-3007	1	Clamp-Lever, Parking Brake
22	104-3008	2	Pin-Spring
23	104-3009	1	Screw-Hex
24	104-3016	2	Pin-Cotter
25	104-3011	1	Bracket-Rod, Brake

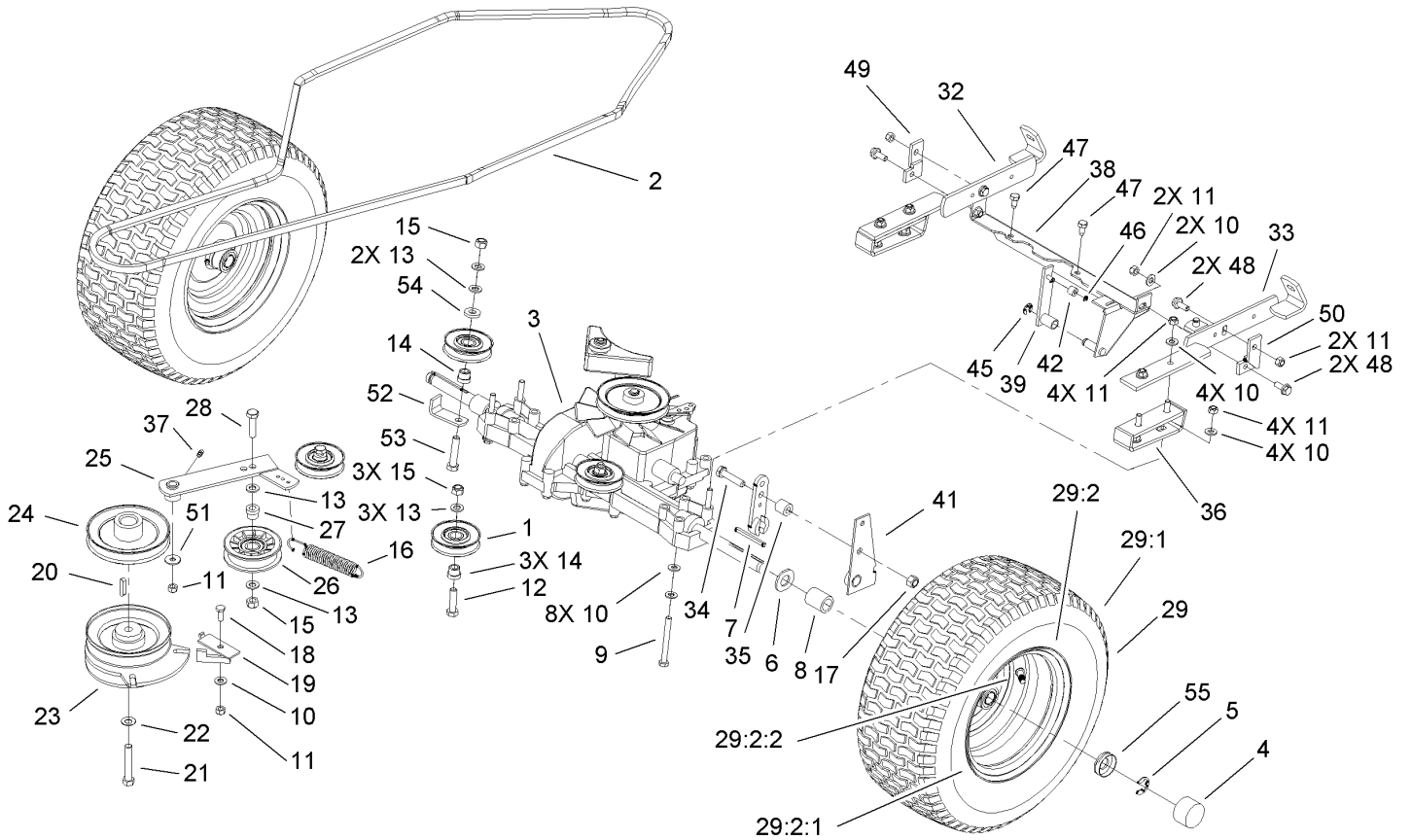
Ref	Part No.	Qty.	Description
26	104-3012	1	Spring
27	104-3323	1	Plate-Bypass
28	104-3014	2	Stirrup
29	104-3015	1	Stirrup
30	33095-00	2	Washer-Flat
31	104-3247	1	Cap
32	106-5768	1	Washer
33	106-5769	1	Washer
34	106-5770	4	Washer
35	106-5771	1	Washer



Operation and Travel Pedal Assembly

Ref	Part No.	Qty.	Description
1	104-3017	1	Pedal-Rear, Travel
2	104-3018	1	Pad-Pedal
3	104-3019	1	Pedal-Travel, Front
4	104-3020	1	Pad-Pedal, Front
5	104-3021	1	Pad-Travel
6	104-3022	1	Rod-Tie
7	104-3023	1	Shaft-Diagonal
8	104-3024	1	Link-Formed
9	104-3025	1	Shaft-Diagonal
10	104-3026	1	Pin
11	33095-00	3	Washer-Flat
12	104-3016	2	Pin-Cotter
13	104-3027	2	Pin-Cotter
14	104-3028	1	Spacer
15	104-3029	1	Pin
16	33014-00	2	Nut-Hex
17	33114-060	1	Screw-HH
18	104-3008	2	Pin-Spring
19	104-3030	1	Pin-Spring
20	104-3031	1	Washer
21	33114-025	1	Screw-HH

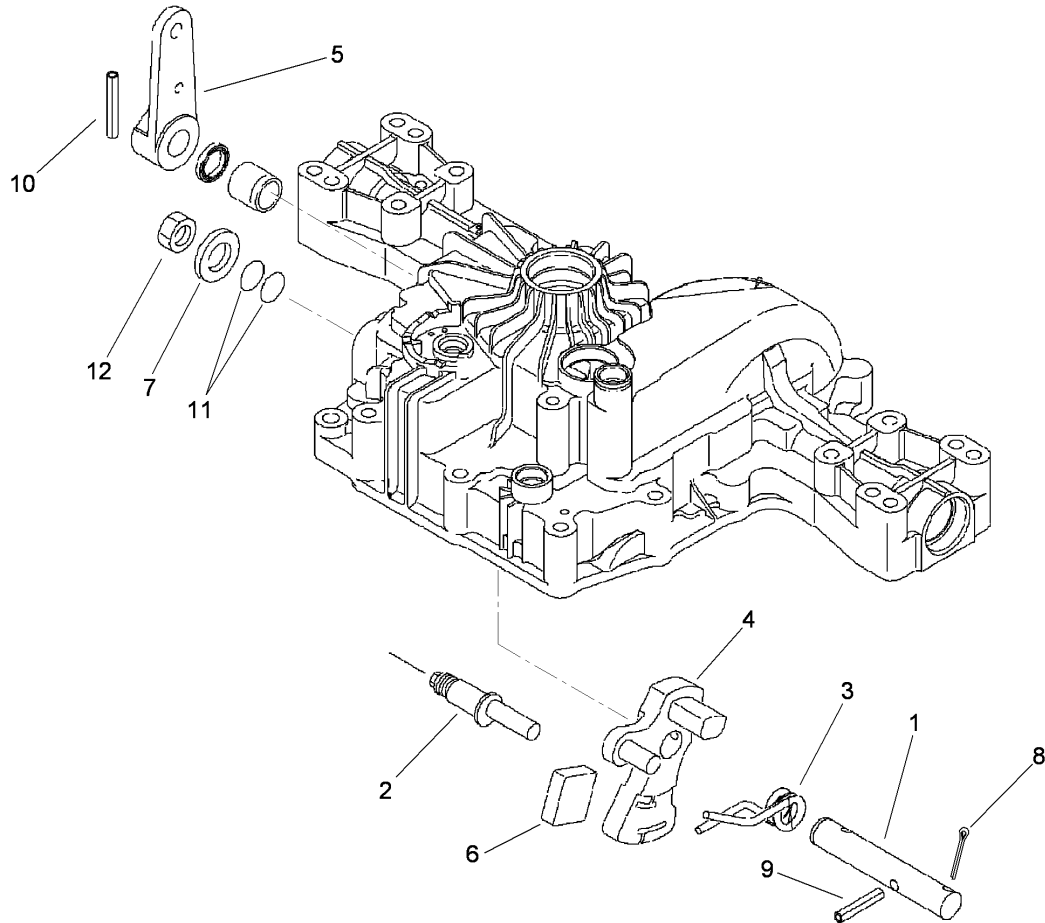
--	--	--	--



Transmission Drive Assembly

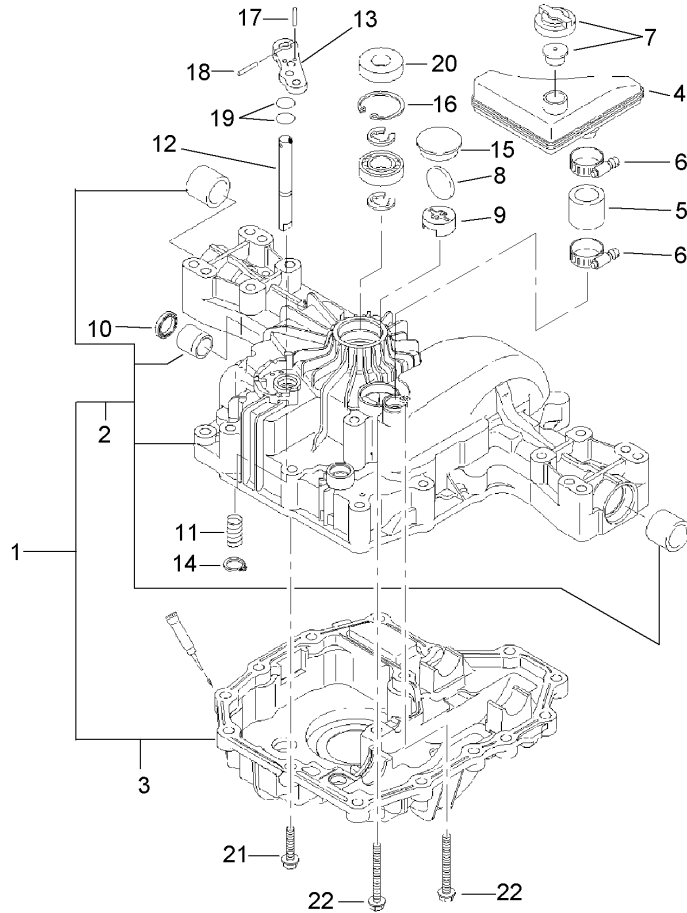
Ref	Part No.	Qty.	Description
1	104-2887	4	Pully-Idler
2	104-2888	1	V-Belt-Traction
3	104-2889	1	Transmission
4	104-2857	2	Cap-Hub
5	104-2891	2	Clip-Spring
6	104-3206	2	Washer
7	104-2892	2	Key-Square
8	104-2895	2	Spacer-Axle
9	33114-080	4	Screw-HH
10	33094-00	19	Washer-Plain
11	33024-00	14	Nut-Lock
12	33115-040	3	Screw-HH
13	33095-00	7	Washer-Flat
14	104-2896	4	Bushing-Idler
15	33025-00	5	Nut-Lock
16	104-2897	1	Spring
17	33025-00	1	Nut-Lock
18	33114-020	1	Screw-HH
19	104-2898	1	Retainer
20	104-2899	1	Key-Square
21	3212-10	1	Screw-HH
22	93-9043	1	Washer-Spring, Belleville
23	104-3334	1	Clutch-Electric
24	104-2911	1	Pulley-Engine

Ref	Part No.	Qty.	Description
25	104-2912	1	Arm-Idler
26	104-2913	1	Pulley-Idler
27	104-2896	1	Bushing-Idler
28	33115-040	1	Screw-HH
29		2	Wheel And Tire ASM
29:1	99-2996	1	Tire
29:2	107-8928	1	Wheel ASM
29:2:1		1	Rim
29:2:2	106-8596	1	Valve-Tire
32	106-8594	1	Bracket-Right
33	106-8593	1	Bracket-Left
34	33115-045	1	Screw-HH
35	104-2925	1	Sleeve
36	107-8947	2	Bracket-Support
37	104-2904	1	Fitting-Grease
38	104-3327	1	Bar ASM
39	104-3328	1	Arm-Switch
41	104-3326	1	Tenon
42	104-3329	1	Roller
45	104-3341	1	Stirrup
46	104-3014	1	Stirrup
47	104-3344	2	Screw-Thread Forming
48	104-3065	4	Screw-Hex
49	107-8945	1	Bracket-Right



Control Shaft Assembly Transmission Assembly No. 104-2889

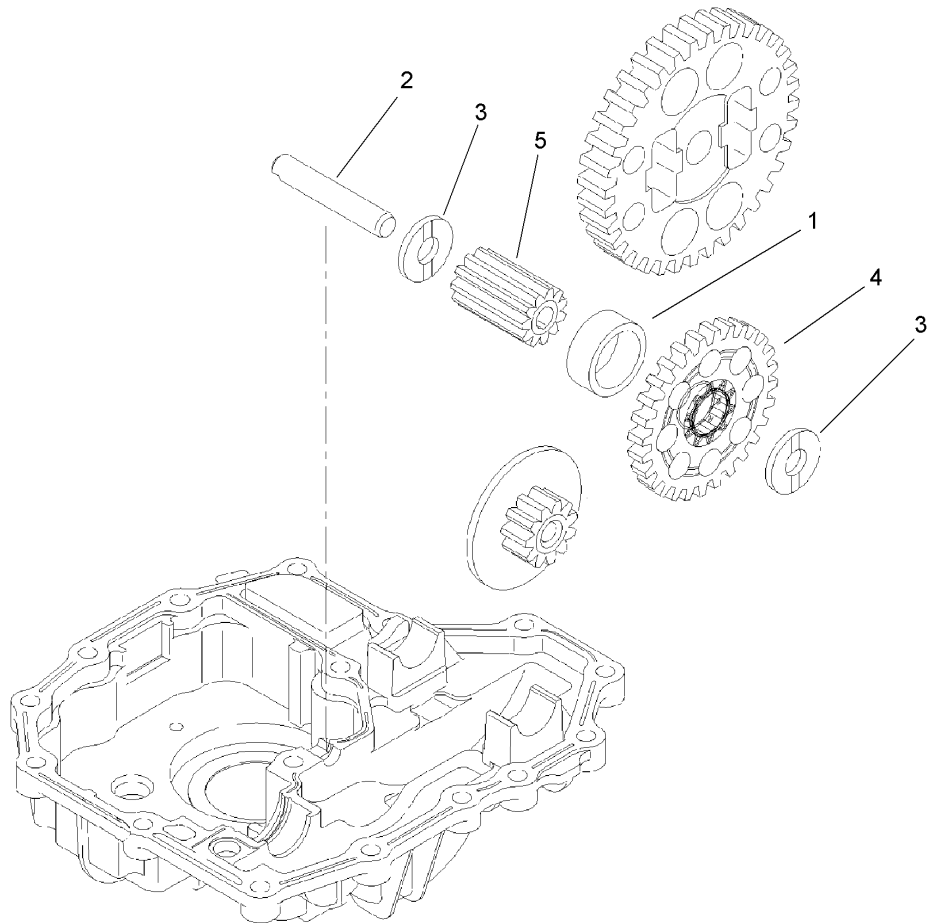
Ref	Part No.	Qty.	Description
1	114-3181	1	Shaft-Control
2	104-3292	1	Fulcrum-Eccentricity
3	104-3293	1	Spring-Torsion
4	114-3180	1	Arm-Control
5	104-3342	1	Arm-Transaxle
6	104-3296	1	Plate-Jerky
7	93-0417	1	Washer
8	114-3182	1	Pin-Cotter
9	104-3297	1	Pin
10	93-0411	1	Pin-Roll
11	104-3298	2	Packing
12	93-0420	1	Nut



Transaxle Case Assembly Transmission Assembly 104-2889

Ref	Part No.	Qty.	Description
1	104-3251	1	Transaxle Case Set
2	104-3252	1	Housing-Upper
3	104-3253	1	Housing-Lower
4	104-2914	1	Tank-Reservoir, With Cap
5	104-3254	1	Tube
6	104-3255	2	Clamp-Miniature
7	104-3256	1	Valve-Vent, 15
8	104-3257	1	Magnet
9	104-3258	1	Holder-Magnet
10	104-3259	1	Seal-Oil
11	93-0396	1	Spring
12	104-3260	1	Shaft-Bypass
13	104-3261	1	Lever-Bypass
14	104-3262	1	Ring
15	104-3263	1	Plug-Bore
16	93-0360	1	Ring
17	104-3264	1	Pin
18	104-3265	1	Pin
19	93-0419	2	Packing
20	93-0361	1	Seal
21	93-0363	14	Screw-TAP
22	104-3266	2	Screw-TAP

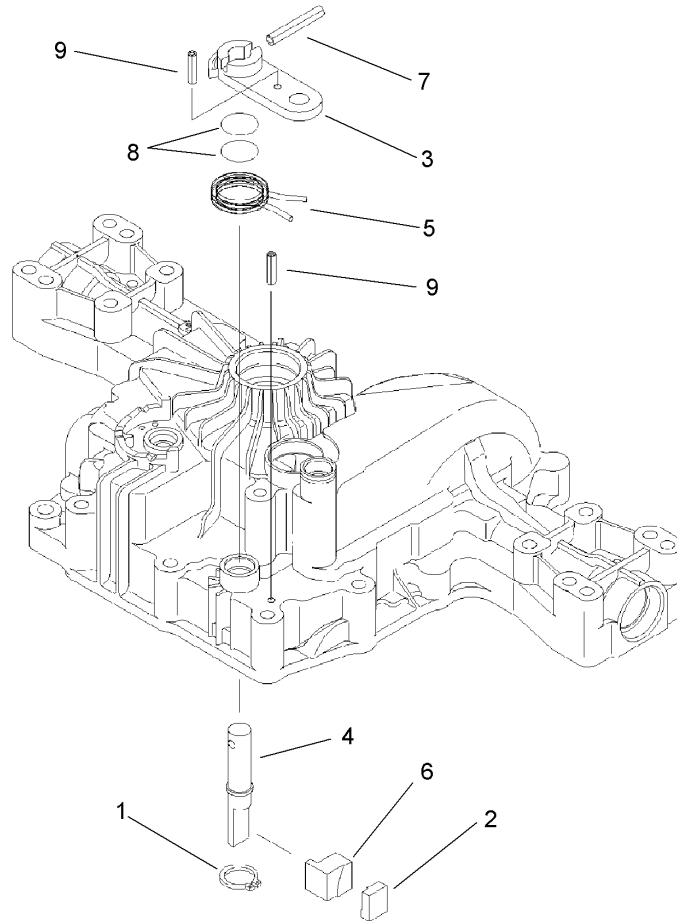
--	--	--	--



Final Pinion Assembly Transmission Assembly No. 104-2889

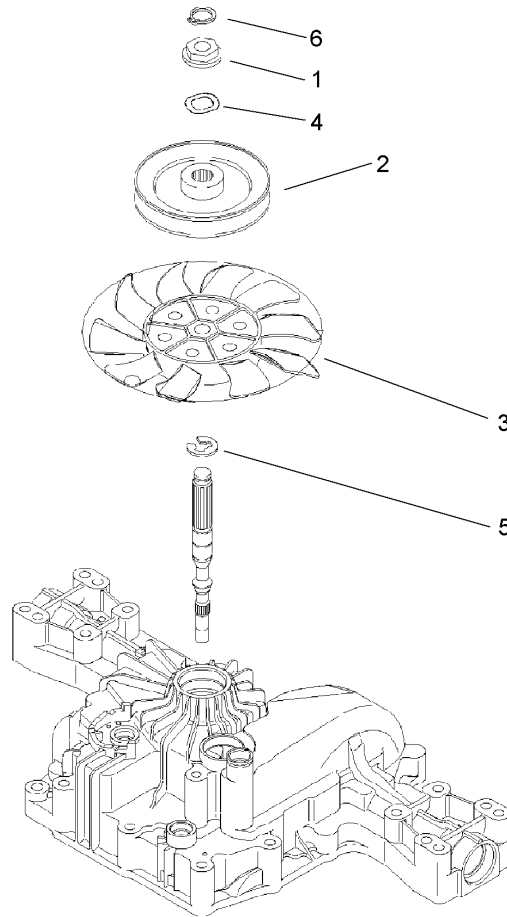
Ref	Part No.	Qty.	Description
1	104-3302	1	Collar-Final Pinion
2	104-3303	1	Shaft-Reduction
3	104-3304	2	Washer
4	104-3305	1	Gear-Reduction
5	104-3306	1	Pinion-Final

--	--	--	--



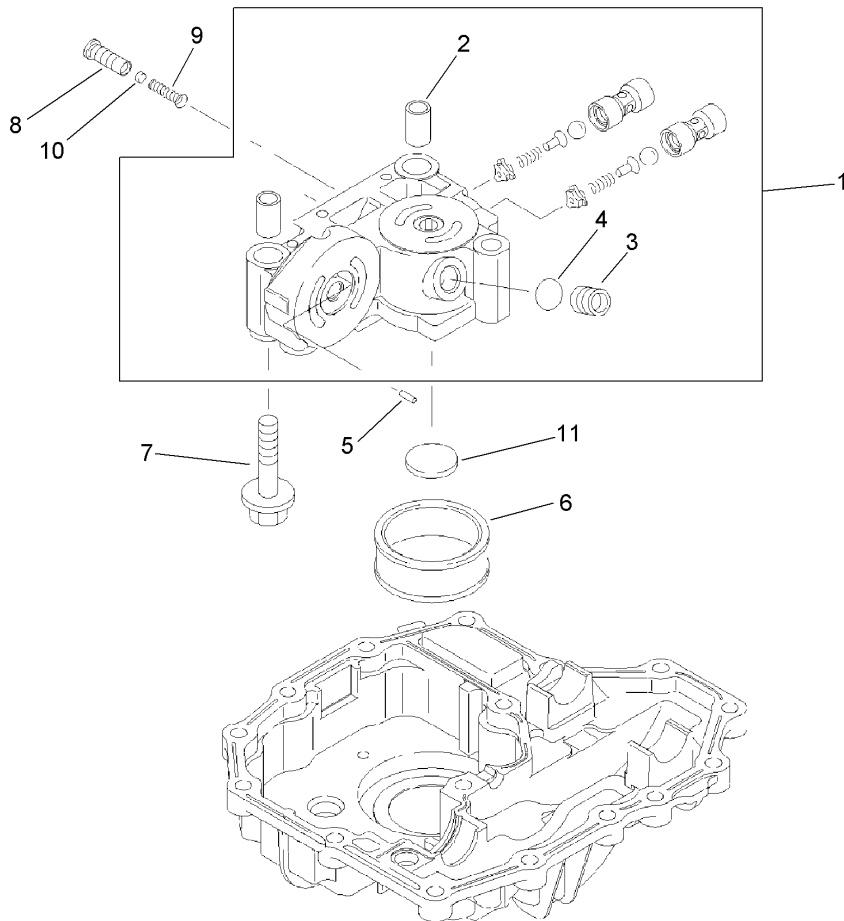
Brake Assembly Transmission Assembly No. 104-2889

Ref	Part No.	Qty.	Description	
1	104-3313	1	Ring	
2	104-3314	1	Shoe-Brake	
3	104-3315	1	Arm-Brake	
4	104-3316	1	Shaft-Brake	
5	104-3317	1	Spring-Return, Brake	
6	104-3318	1	Actuator-Brake	
7	92-0767	1	Pin	
8	92-0786	2	O-Ring	
9	104-3319	2	Pin	



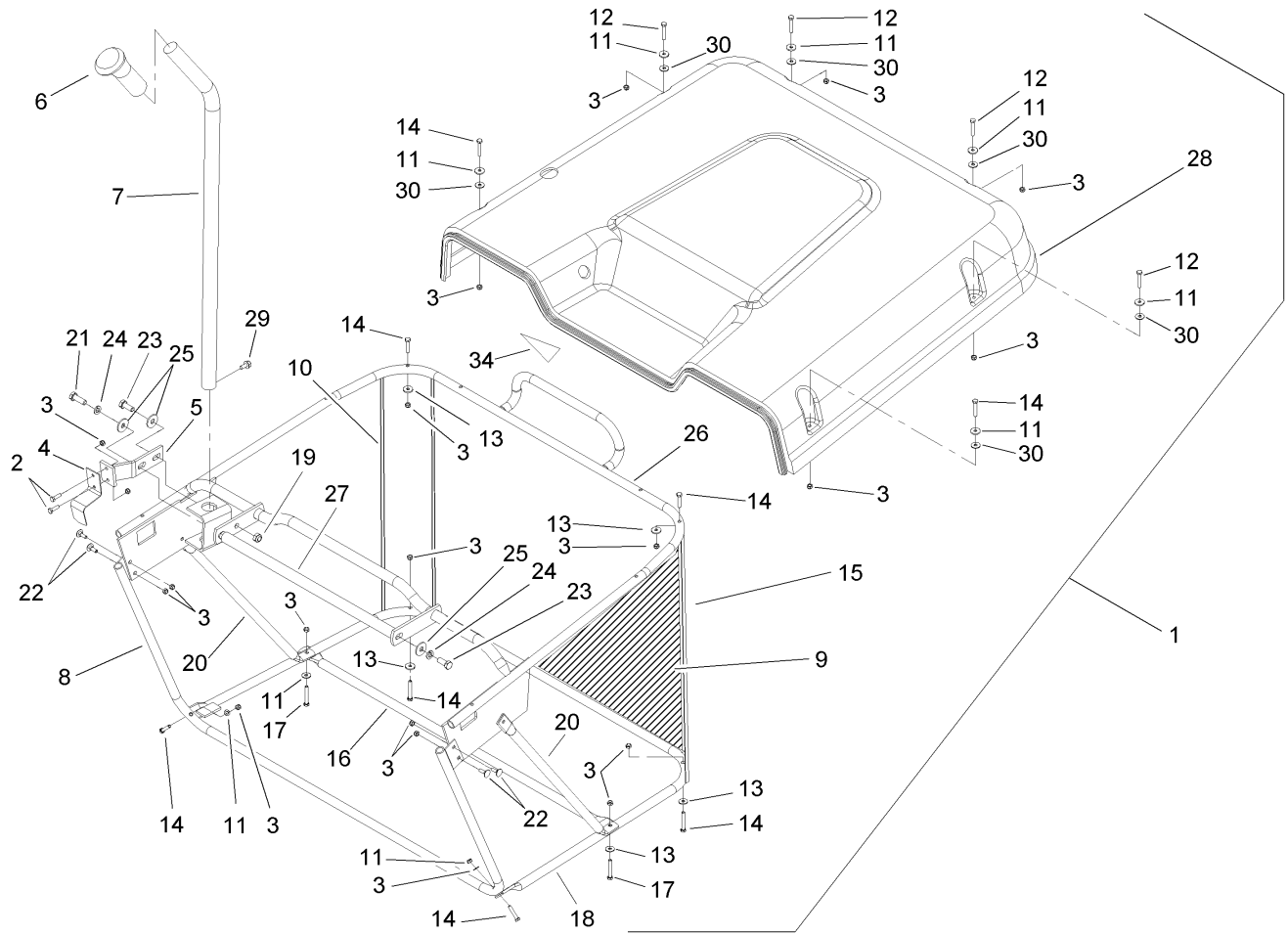
Fan Pulley Assembly Transmission Assembly No. 104-2889

Ref	Part No.	Qty.	Description				
1	104-3320	1	Collar-Spline				
2	104-3197	1	Pulley-Transmission				
3	104-3199	1	Fan- Transmission				
4	104-3321	1	Washer-Lock				
5	93-0387	1	E-Ring				
6	104-3198	1	E-Ring				



Center Case Assembly Transmission Assembly No. 104-2889

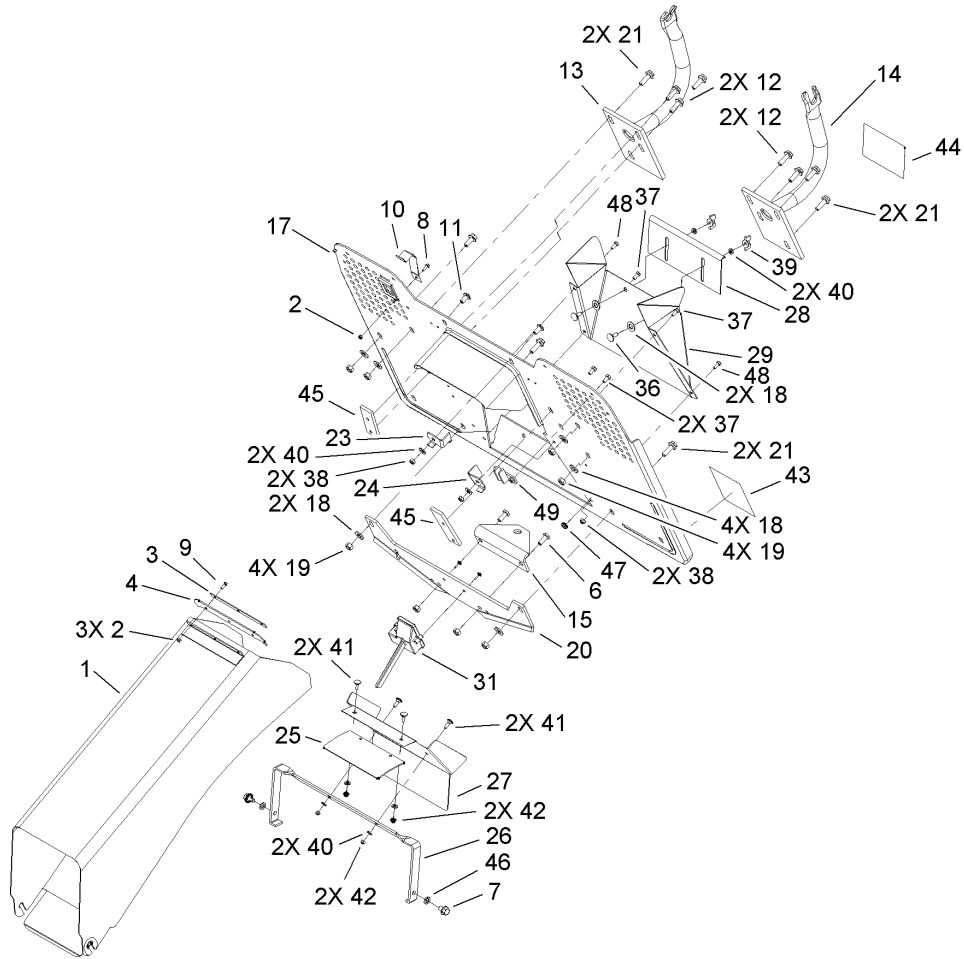
Ref	Part No.	Qty.	Description				
1	104-3267	1	Case-Center				
2	104-3268	2	Pin-Knock				
3	104-3269	1	Plug				
4	93-0419	1	Packing				
5	104-3270	1	Pin				
6	104-3271	1	Filter				
7	104-3272	3	Bolt				
8	104-3273	2	Valve				
9	104-3274	2	Spring				
10	104-3275	2	Filter				
11	104-3257	1	Magnet				



Grass Collector Assembly No. 106-5760

Ref	Part No.	Qty.	Description
1	106-5760	1	Collector ASM
2	60-6910	2	Screw
3	87-5140	22	Nut-Lock
4	104-3033	1	Spring-Coll, Interlock Switch
5	106-5761	1	Bracket-Spring
6	104-3035	1	Grip-Handle
7	107-8917	1	Lever-Dump
8	104-3037	1	Front Frame ASM
9	104-3038	1	Bag-Grass
10	104-3039	1	Support-Corner, Right
11	104-2943	8	Washer-Flat
12	87-5150	4	Bolt
13	52-6430	14	Washer
14	104-3041	10	Screw-Hex
15	104-3042	1	Support-Corner, Left
16	104-3043	1	Brace-Connecting
17	104-3044	2	Screw-Hex
18	104-3045	1	Bottom Frame ASM
19	33024-00	1	Nut-Lock
20	104-3046	2	Brace
21	33114-025	1	Screw-HH
22	104-2948	4	Bolt-Carriage
23	33114-020	2	Screw-HH
24	42-9850	2	Washer-Lock, Spring

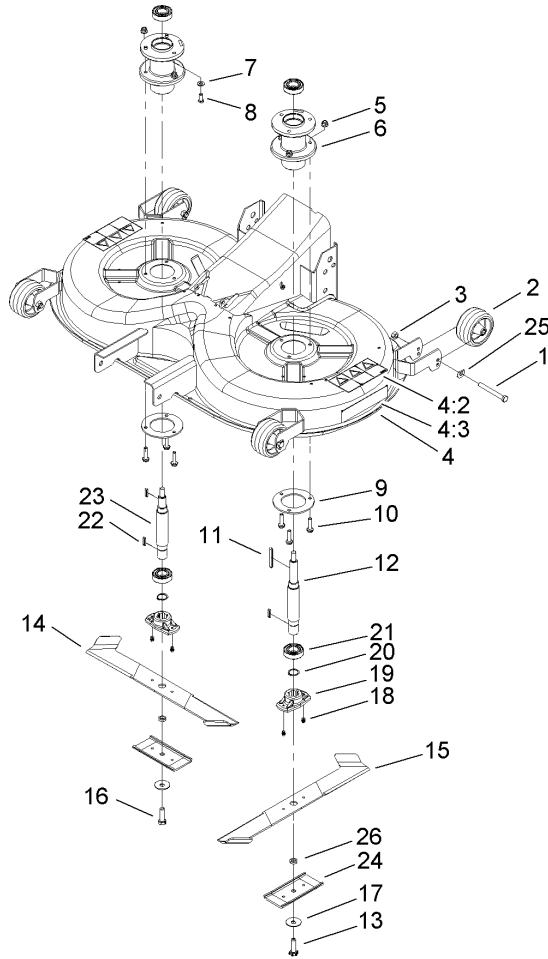
Ref	Part No.	Qty.	Description
25	104-2946	4	Washer-Plain
26	104-3047	1	Top Frame ASM
27	104-3048	1	Handle-Lift
28	106-5762	1	Cover-Collector
29	106-5763	1	Screw
30	104-2952	6	Washer-Rubber
34	104-3242	1	Decal-Bag To Frame



Tunnel Assembly

Ref	Part No.	Qty.	Description
1	106-8562	1	Tunnel
2	104-2985	4	Nut-Hex
3	104-3055	1	Plate-Support
4	104-3056	1	Seal-Rubber
6	33114-020	2	Screw-HH
7	68-9410	2	Screw-Flange
8	104-2983	1	Screw
9	104-3058	3	Screw-SFH
10	104-3059	1	Cover-Switch
11	104-3060	2	Bolt-Carriage
12	104-3061	4	Screw
13	104-3062	1	Support-Collector, Right
14	104-3063	1	Support-Collector, Left
15	104-3064	1	Hitch-Tow
17	104-3066	1	Collector Plate ASM
18	33095-00	8	Washer-Flat
19	33024-00	8	Nut-Lock
20	104-3067	1	Support-Hitch, Tow
21	104-3068	6	Screw-Hex
23	106-8597	1	Support-Tunnel, Left
24	106-8598	1	Support-Tunnel, Right
25	106-8599	1	Shield-Rubber
26	104-3069	1	Bracket-Shield, Protective
27	104-3070	1	Shield-Protective

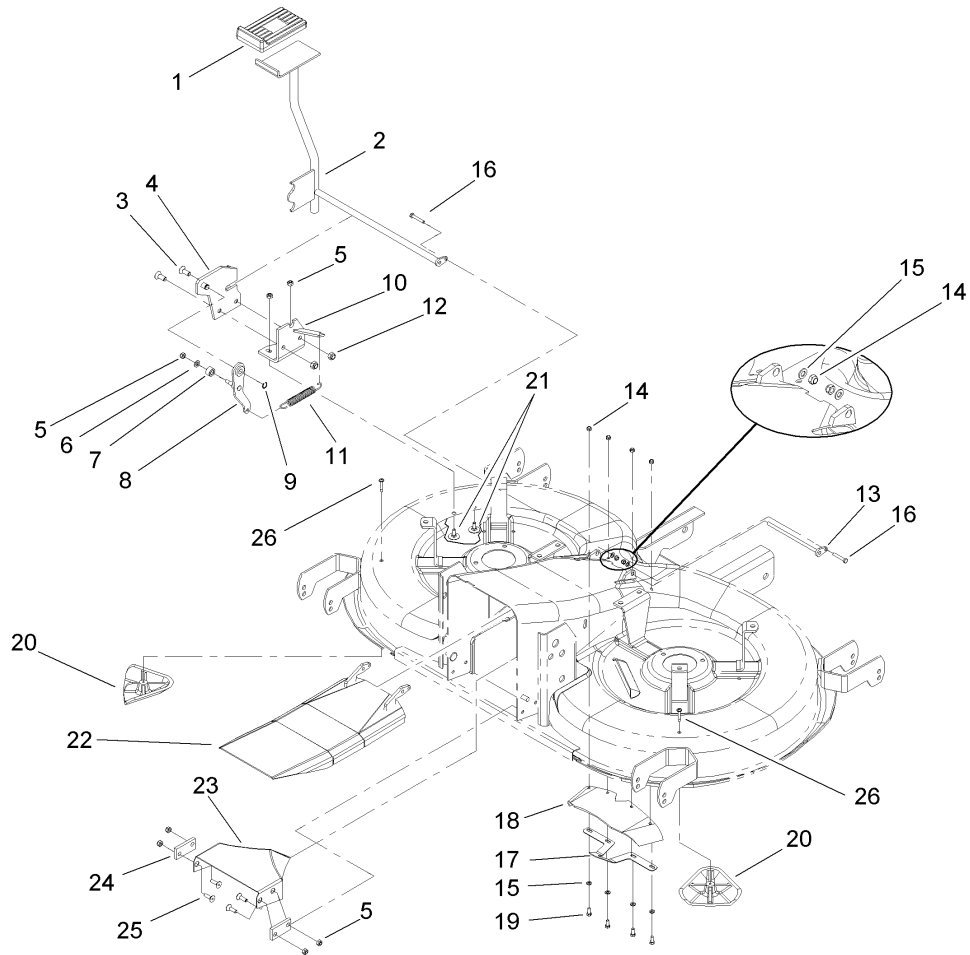
Ref	Part No.	Qty.	Description
28	104-3336	1	Shield-Adjustable
29	104-3335	1	Hopper-Receiving
31	104-3074	1	Overload Switch ASM
36	104-2961	2	Screw
37	33113-012	4	Screw-HH
38	33023-00	4	Nut-Lock
39	32103-28	2	Nut-Wing
40	33093-00	6	Washer-Flat
41	104-2948	4	Bolt-Carriage
42	87-5140	4	Nut-Lock
43	104-3243	1	Decal-Bypass, Hydro
44	104-2853	1	Decal-Position, Bagging
45	104-3347	2	Plate-Reinforcing
46	104-3348	2	Washer-Spring
47	106-5772	1	Bushing
48	106-8575	2	Screw-HH
49	110-8688	1	Bracket-Support, Fuel Tank



Deck Housing Assembly

Ref	Part No.	Qty.	Description
1	33115-090	4	Screw-HH
2	104-3080	4	Wheel-Gauge
3	33025-00	4	Nut-Lock
4	110-9071	1	Deck ASM
4:2	93-7824	2	Decal-Danger
4:3	106-8563	1	Decal-Recycler
5	104-3082	6	Nut-Lock, HF
6	107-8992	2	Housing-Spindle
7	33094-00	6	Washer-Plain
8	33114-020	6	Screw-HH
9	104-3084	2	Support-Ring
10	104-3085	6	Bolt-HHF
11	104-3086	1	Key
12	106-8565	1	Shaft-Blade, Left
13	106-5797	1	Bolt-HH, Blade
14	106-8557	1	Blade-RH
15	106-8558	1	Blade-LH
16	106-5798	1	Bolt-Blade, HH
17	106-6532	2	Washer-Blade
18	104-3093	4	Pin-Shear, Grooved
19	106-4185	2	Adapter-Blade
20	104-3095	2	Ring-Locking
21	104-6325	4	Bearing-Ball
22	104-3097	3	Key-Square

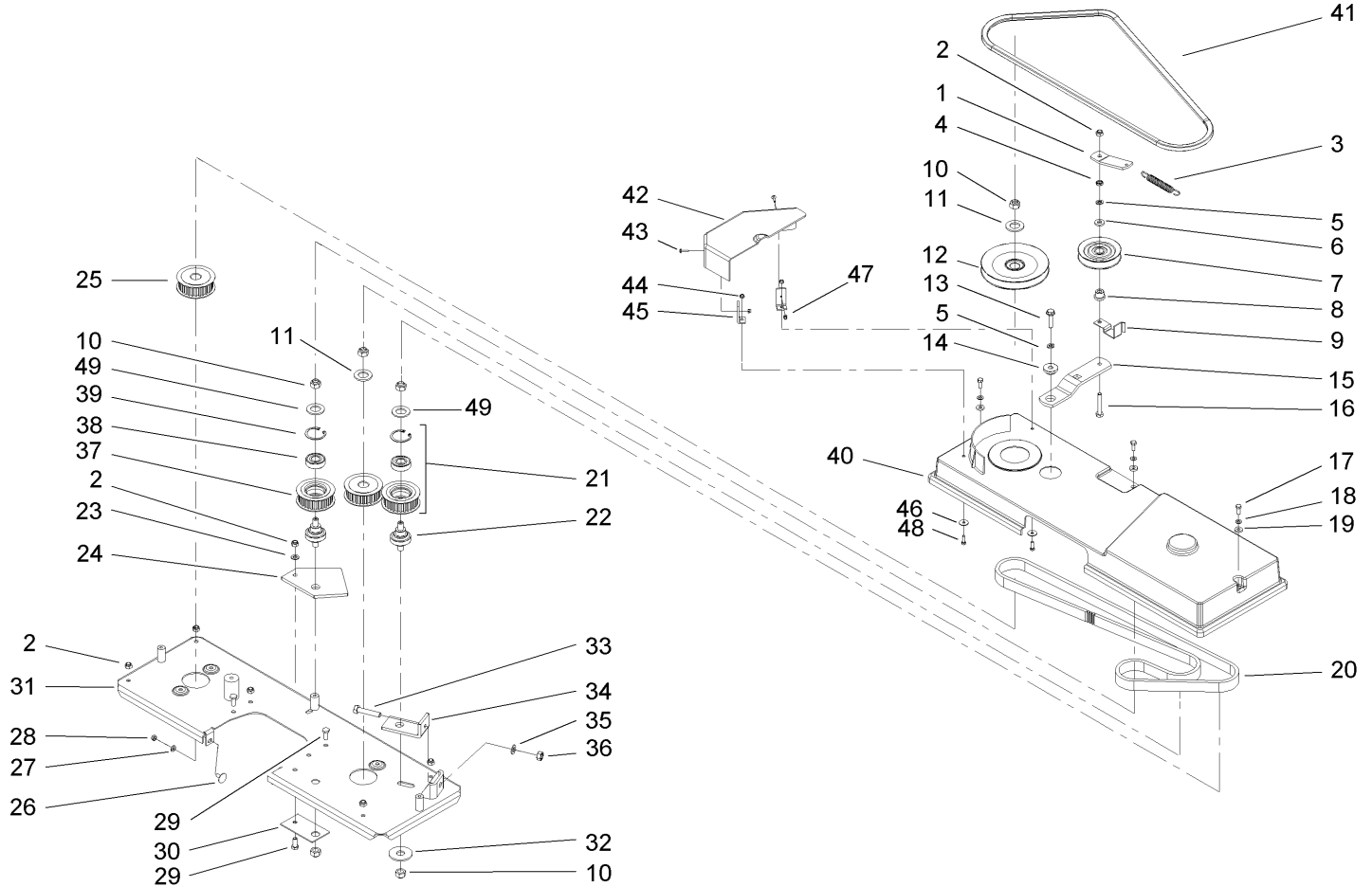
Ref	Part No.	Qty.	Description
23	106-8566	1	Shaft-Blade, Right
24	106-6533	2	Stiffener-Blade
25	106-5767	4	Washer
26	106-6530	2	Spacer



Cutting Pan and Bag on Demand Assembly

Ref	Part No.	Qty.	Description
1	106-8583	1	Cover-Lever, Foot
2	106-8582	1	Lever-Foot
3	100-8159	2	Screw-HSFH
4	106-8578	1	Plate-Stop
5	33023-00	7	Nut-Lock
6	33093-00	1	Washer-Flat
7	106-8581	1	Roller
8	106-8579	1	Lever-Spring
9	106-8592	1	Ring-Locking
10	106-8577	1	Bracket-Mounting
11	106-8580	1	Spring
12	48-9510	2	Nut
13	106-8585	1	Rod-Door, Mulch
14	87-5140	6	Nut-Lock
15	52-6430	6	Washer
16	87-5150	2	Bolt
17	106-8567	2	Guide
18	106-8586	1	Gasket-Door, Mulch
19	106-8575	4	Screw-HH
20	106-8587	1	Kicker
21	33123-016	2	Screw-CARR
22	107-8968	1	Door-Mulch
23	106-8573	1	Baffle-Center
24	106-8572	2	Plate-Baffel, Center

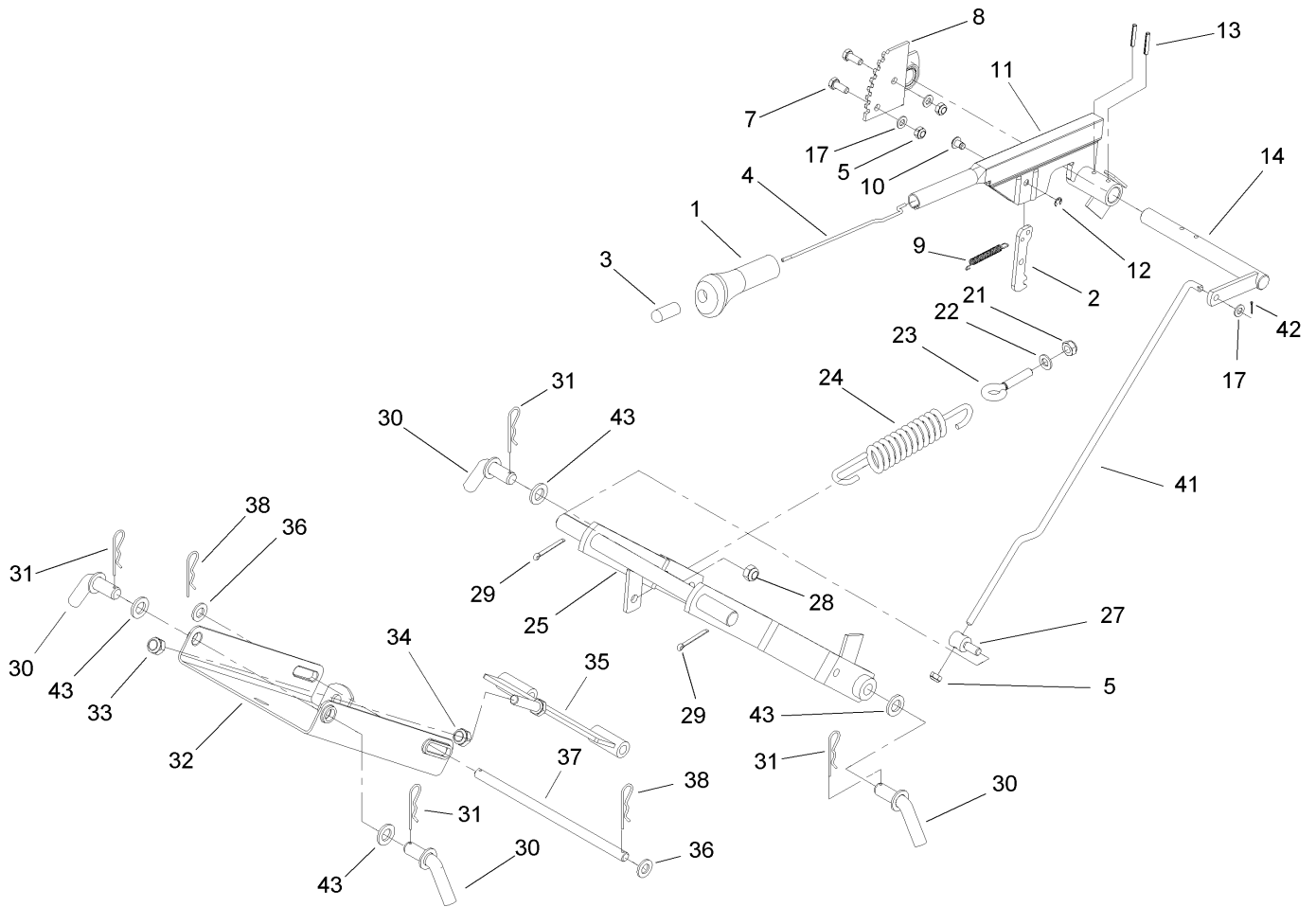
Ref	Part No.	Qty.	Description
25	106-8574	4	Screw
26	104-1451	2	Screw-TAP, PPH



Cutting Pan and Drive System Assembly

Ref	Part No.	Qty.	Description
1	104-3099	1	Lever-Engagement
2	48-9510	8	Nut
3	104-3101	1	Spring
4	57-6390	1	Nut-Jam
5	42-9850	1	Washer-Lock, Spring
6	106-8588	1	Washer-Flat
7	104-3103	1	Pulley-Idler
8	104-3104	1	Bushing
9	104-3105	1	Retainer-Belt
10	48-9540	6	Nut-Lock, Hex NI
11	33099-00	4	Washer-Flat
12	104-3107	1	Pulley-Drive
13	33105-025	1	Screw-HHF
14	107-8995	1	Shim-Arm, Idler
15	104-3109	1	Arm-Idler
16	33114-050	1	Screw-HH
17	33113-016	3	Screw-HH
18	106-8568	3	Washer-Flat
19	83-7420	3	Washer-Rubber
20	106-8591	1	Belt-Cog
21	104-3113	2	Cog Pulley ASM
22	104-3114	2	Pin-Pulley, Cog
23	33094-00	1	Washer-Plain
24	104-3115	1	Support-Pulley

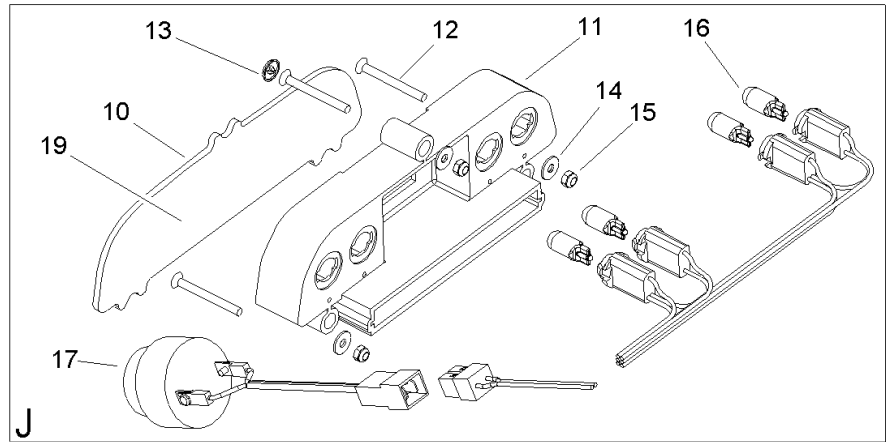
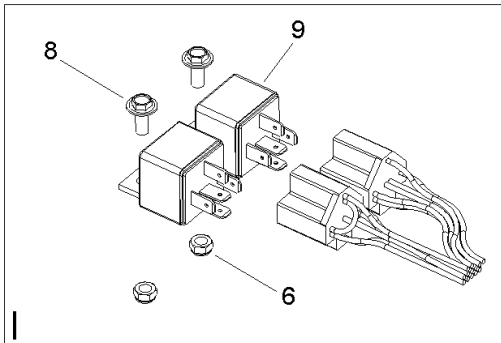
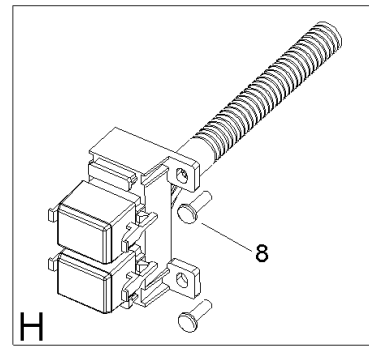
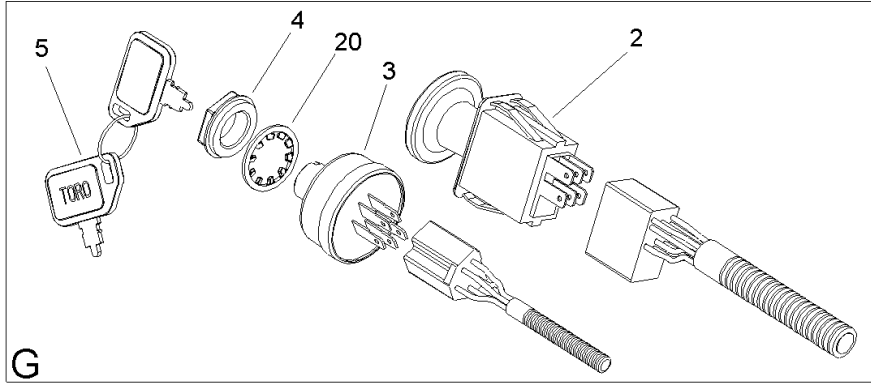
Ref	Part No.	Qty.	Description
25	104-3116	2	Pulley-Cog, Drive
26	33123-016	2	Screw-CARR
27	33093-00	2	Washer-Flat
28	33023-00	2	Nut-Lock
29	33114-025	3	Screw-HH
30	104-3117	1	Plate-Anchor
31	107-8996	1	Plate-Drive, Blade
32	104-2909	1	Washer
33	33115-050	1	Screw-HH
34	104-3120	1	Bracket-Idler
35	108-8709	2	Washer-Flat
36	48-9520	1	Nut
37	104-3121	1	Pulley-Cog
38	100-1048	1	Bearing-Ball
39	104-3123	1	Ring-Locking
40	106-8589	1	Belt-Cover
41	104-3127	1	V-Belt
42	107-8941	1	Guard-Belt
43	60-6910	2	Screw
44	87-5140	2	Nut-Lock
45	107-8940	2	Bracket
46	3256-61	4	Washer-Flat
47	46-0430	2	Nut-Lock
48	107-8918	2	Screw



Mower Lift Assembly

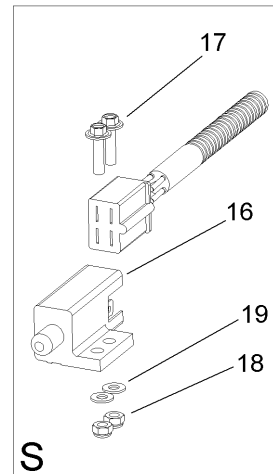
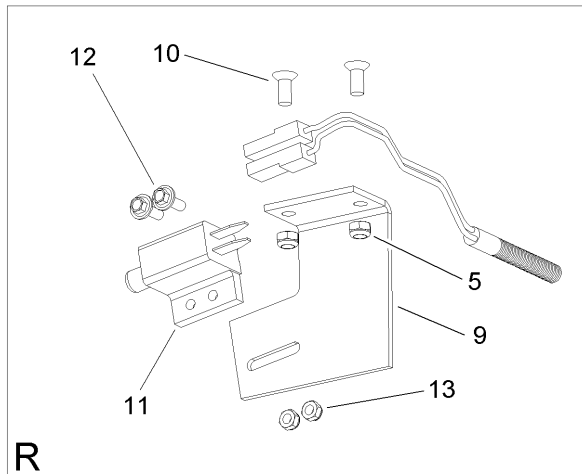
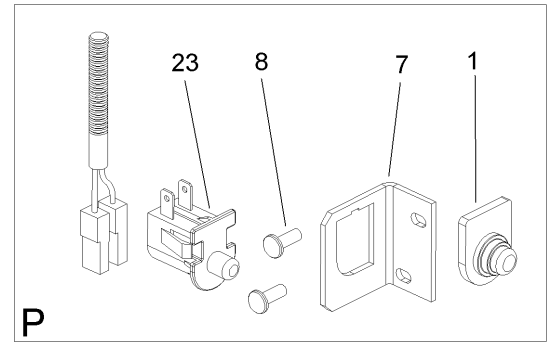
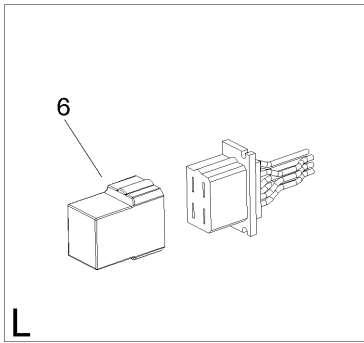
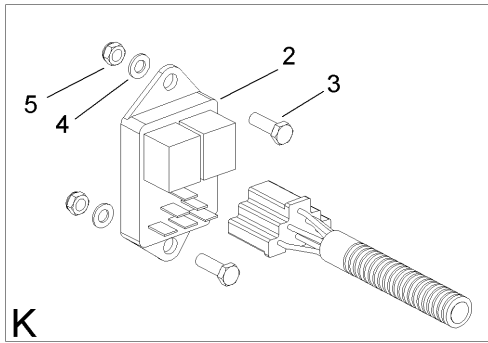
Ref	Part No.	Qty.	Description
1	104-3129	1	Grip-Handle
2	104-3130	1	Ratchet-Plate, Pivot
3	104-3131	1	Button-Plunger
4	104-3132	1	Rod-Connection
5	33024-00	3	Nut-Lock
7	33114-020	2	Screw-HH
8	104-3133	1	Segment-Gear
9	104-3134	1	Spring
10	104-3135	1	Pin-Arm Lever
11	104-3136	1	Lever-Arm, Height Adj.
12	104-3137	1	Clip-Pin
13	104-2994	2	Pin-Spring
14	104-3138	1	Shaft-Height Adj.
17	33094-00	3	Washer-Plain
21	33025-00	1	Nut-Lock
22	33095-00	1	Washer-Flat
23	104-3139	1	Bolt-Eye
24	104-3140	1	Spring-Lift
25	104-3141	1	Pivot Arm ASM
27	104-3142	1	Pin-Lifting
28	33025-00	1	Nut-Lock
29	104-3016	2	Pin-Cotter
30	104-3143	4	Pin-Bent
31	104-3144	4	Pin-Hair

Ref	Part No.	Qty.	Description
32	104-3145	1	Suspension-Mower Deck, Front
33	33026-00	1	Nut-Lock
34	33016-00	1	Nut-Hex
35	104-3146	1	Holder-Front
36	104-3124	2	Washer-Flat
37	104-3147	1	Pin
38	104-3148	2	Clip-Hair Pin
41	104-3149	1	Rod-Height Adj.
42	104-3151	1	Pin-Cotter
43	34-9270	4	Washer-Hose



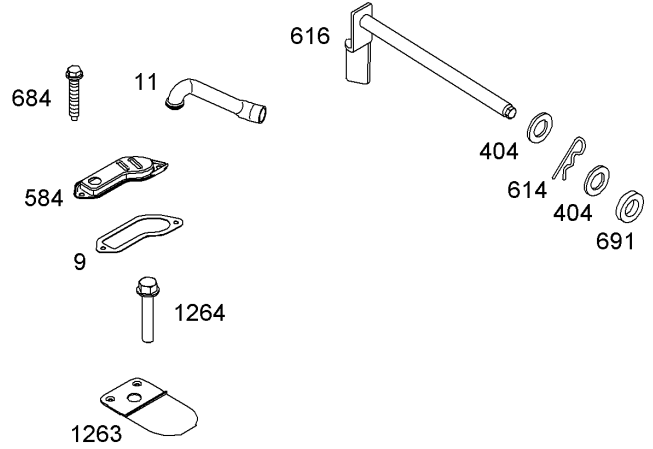
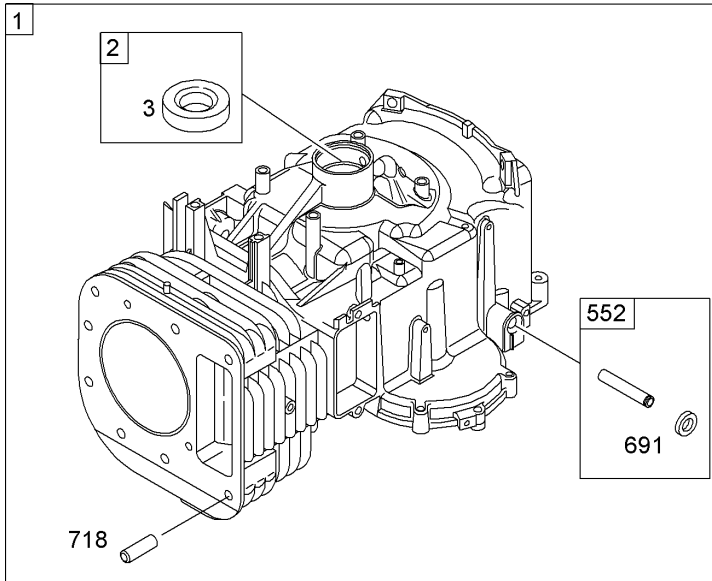
Electrical Switch No. 2 Assembly

Ref	Part No.	Qty.	Description
2	93-9998	1	Switch-PTO
3	92-6785	1	Switch-Ignition
4	218-461	1	Nut-HH
5	62-7770	2	Key-Ignition
6	87-5140	2	Nut-Lock
8	104-2978	4	Screw-Hex
9	104-3173	2	Relay
10	92-6707	1	Lens-Dash Lights
11	92-6732	1	Housing-Light, Indicator
12	104-3191	3	Screw
13	104-3174	3	Screw-Cap
14	104-3175	3	Washer
15	104-2985	3	Nut-Hex
16	104-3176	3	Bulb
17	104-3177	1	Buzzer
19	107-2220	1	Decal-Dash
20	3254-5	1	Washer-Tooth

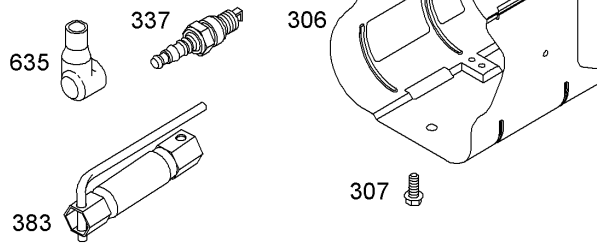


Electrical Switch No. 3 Assembly

Ref	Part No.	Qty.	Description
1	104-3178	1	Cover-Protective
2	99-3701	1	Module-Clutch
3	60-6910	2	Screw
4	52-6430	2	Washer
5	87-5140	4	Nut-Lock
6	104-3169	1	Circuit-Memory
7	107-8954	1	Holder-Switch
8	104-3190	2	Screw
9	107-8955	1	Holder-Switch
10	104-2980	2	Screw
11	95-1653	1	Switch-Pole, Single
12	104-2983	2	Screw
13	104-2985	2	Nut-Hex
16	104-3330	1	Switch-Delta
17	104-3331	2	Bolt
18	46-0430	2	Nut-Lock
19	52-6430	2	Washer
23	104-3179	1	Switch-Delta



1058 OPERATOR MANUAL
48 SHORT BLOCK

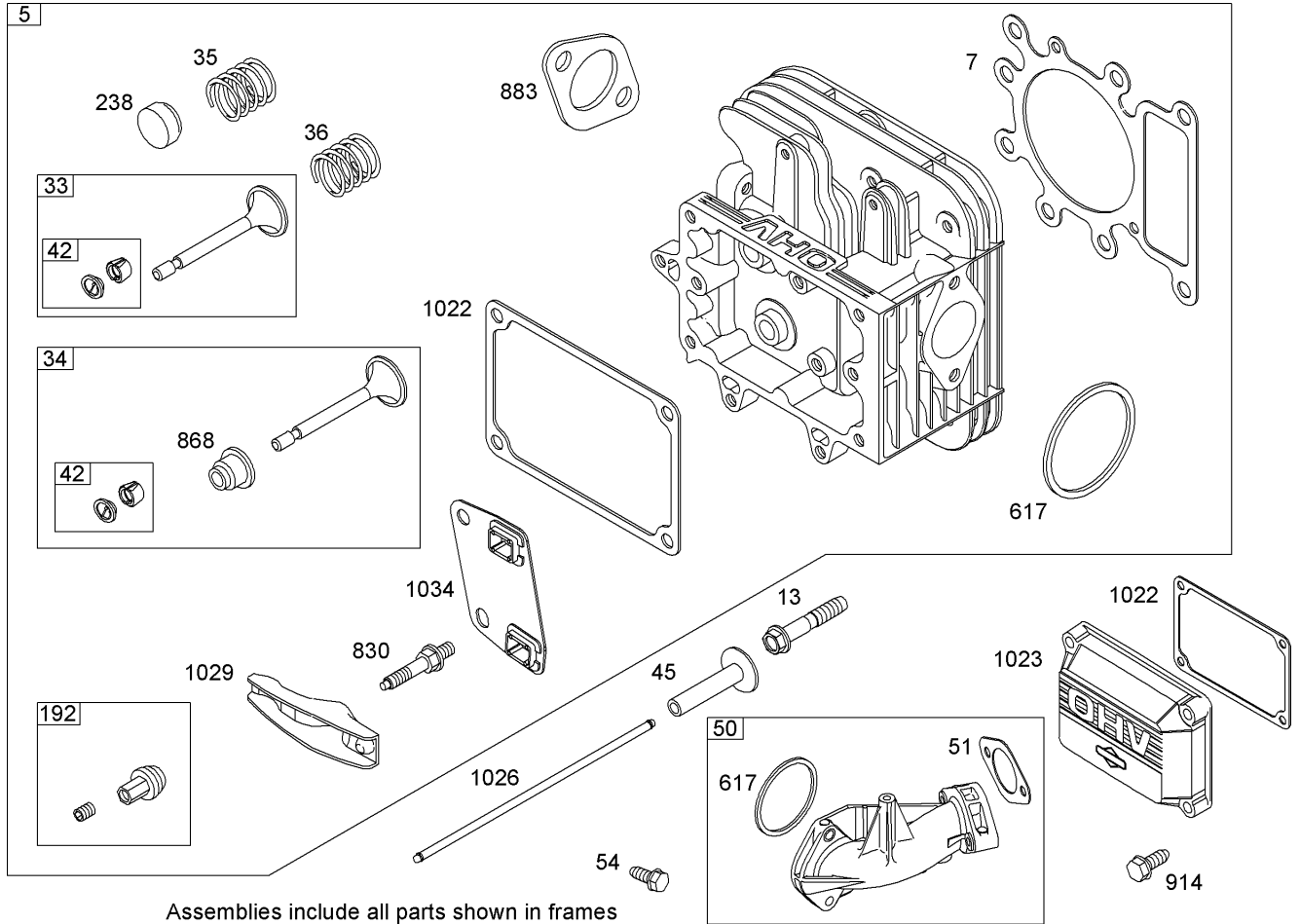


Assemblies include all parts shown in frames

Cylinder Assembly Briggs and Stratton Model 31A607-0117-E1

Ref	Part No.	Qty.	Description
1	793987	1	Cylinder ASM
2	399265	1	Bushing And Seal Kit
3	391086s	1	Seal-Oil (Magneto Side)
59	697109	1	Gasket-Breather
11	697113	1	Tube-Breather
48	697761	1	Short Block
306	697107	1	Shield-Cylinder
307	691003	1	Screw (Cylinder Shield)
337	691043	1	Spark Plug
383	89838s	1	Wrench-Spark Plug
404	691691	1	Washer (Governor Crank)
552	697144	1	Bushing-Crank, Governor
584	697112	1	Cover-Passage, Breather
614	691620	1	Pin-Cotter
616	692012	1	Crank-Governor
635	691909	1	Boot-Spark Plug
684	697157	1	Screw (Breather Passage Cover)
691	692407	1	Seal-Shaft, Governor
718	690959	1	Pin-Locating
1058	MS5935	1	Manual-Operator
1263	697124	1	Reed-Breather
1264	697104	1	Screw (Breather Reed)

--	--	--	--

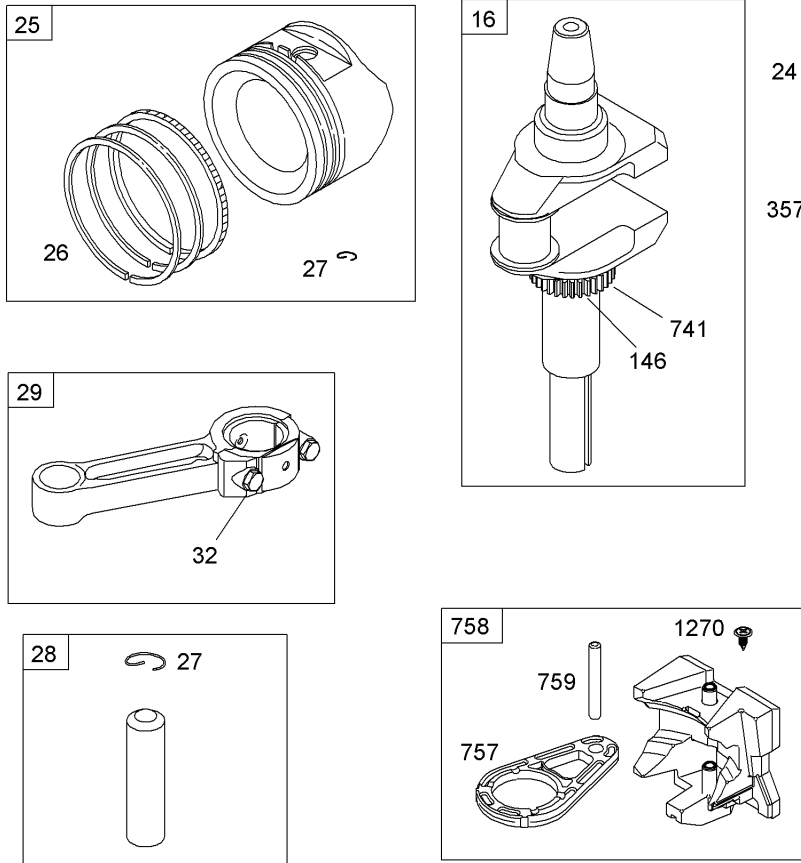


Assemblies include all parts shown in frames

Cylinder Head Assembly Briggs and Stratton Model 31A607-0117-E1

Ref	Part No.	Qty.	Description
5	793989	1	Head-Cylinder
57	699168	1	Gasket-Head, Cylinder
13	793988	1	Screw (Cylinder Head Gasket)
33	791934	1	Valve-Exhaust
34	791935	1	Valve-Intake
35	691279	1	Spring-Valve (Intake)
36	691279	1	Spring-Valve (Exhaust)
42	499586	1	Keeper-Valve
45	690564	1	Tappet-Valve
50	690193	1	Manifold-Intake
51	692137	1	Gasket-Intake
54	691148	1	Screw (Intake Manifold)
192	691986	1	Adjustor-Arm, Rocker
238	691843	1	Cap-Valve
617	692138	1	Seal-O Ring (Intake Manifold)
830	691095	1	Stud-Arm, Rocker
868	690968	1	Seal-Valve
883	692236	1	Gasket-Exhaust
914	691108	1	Screw (Rocker Cover)
1022	272475s	1	Gasket-Cover, Rocker
1023	791079	1	Cover-Rocker

Ref	Part No.	Qty.	Description
1026	692003	1	Rod-Push (Intake)
1026	692011	1	Rod-Push (Exhaust)
1029	691751	1	Arm-Rocker
1034	690822	1	Guide-Rod, Push

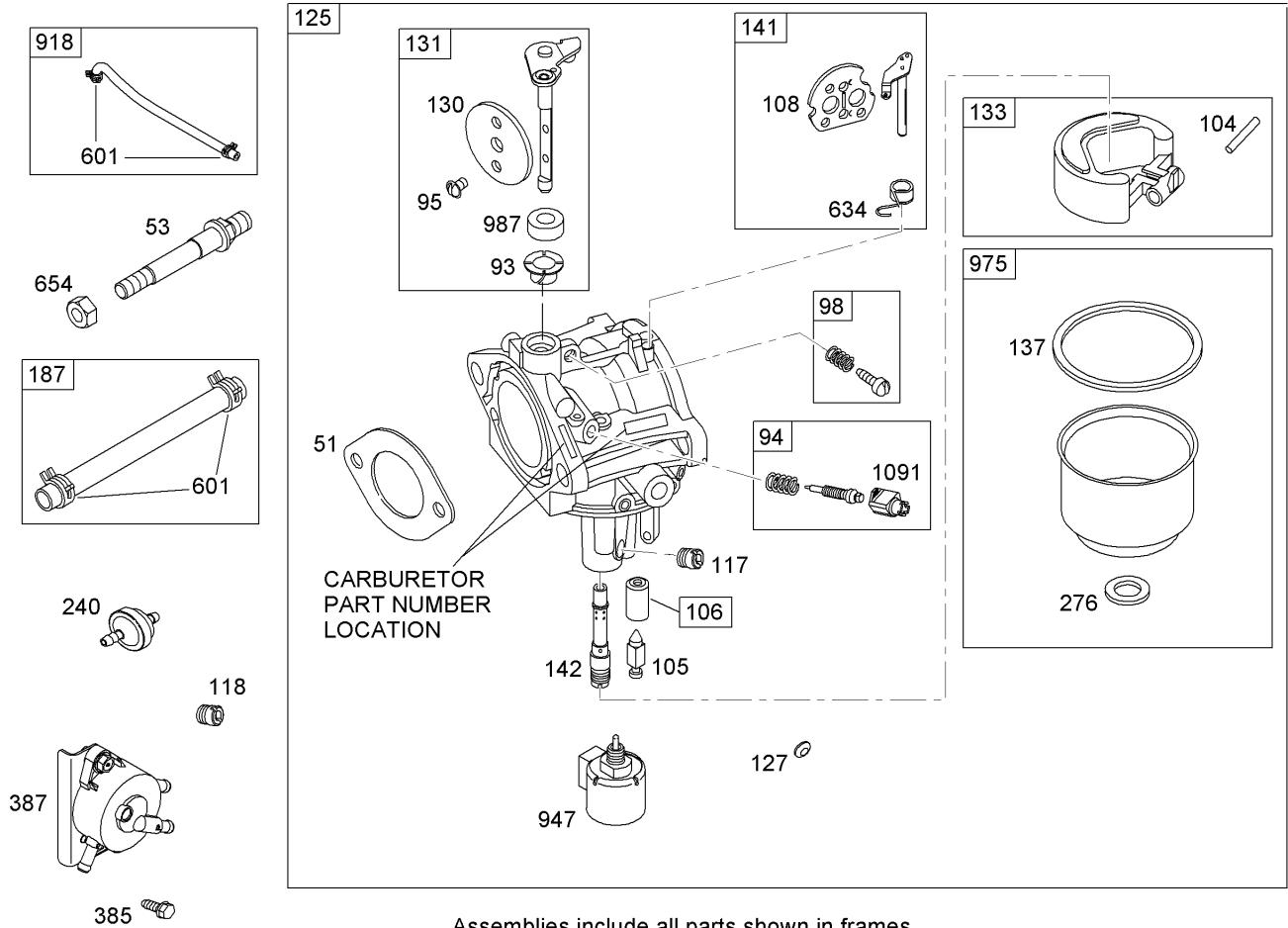


Assemblies include all parts shown in frames

Crankshaft Assembly Briggs and Stratton Model 31A607-0117-E1

Ref	Part No.	Qty.	Description
16	697127	1	Crankshaft
24	222698s	1	Key-Flywheel
25	792507	1	Piston ASM (STD)
25	792648	1	Piston ASM (.020 O S)
26	792649	1	Ring Set (STD)
26	791947	1	Ring Set (.020 O S)
27	698469	1	Lock-Pin, Piston
28	697099	1	Pin-Piston (STD)
29	791631	1	Ring Set (STD)
32	791118	1	Screw (Connecting Rod)
146	691639	1	Key-Timing
357	691483	1	Key-Pulley, Drive
741	697128	1	Gear-Timing
757	793242	1	Link-Counterweight
758	697134	1	Counterweight
759	697392	1	Pin-Counterweight
1270	793243	1	Plug-Counterweight, A V S

--	--	--	--

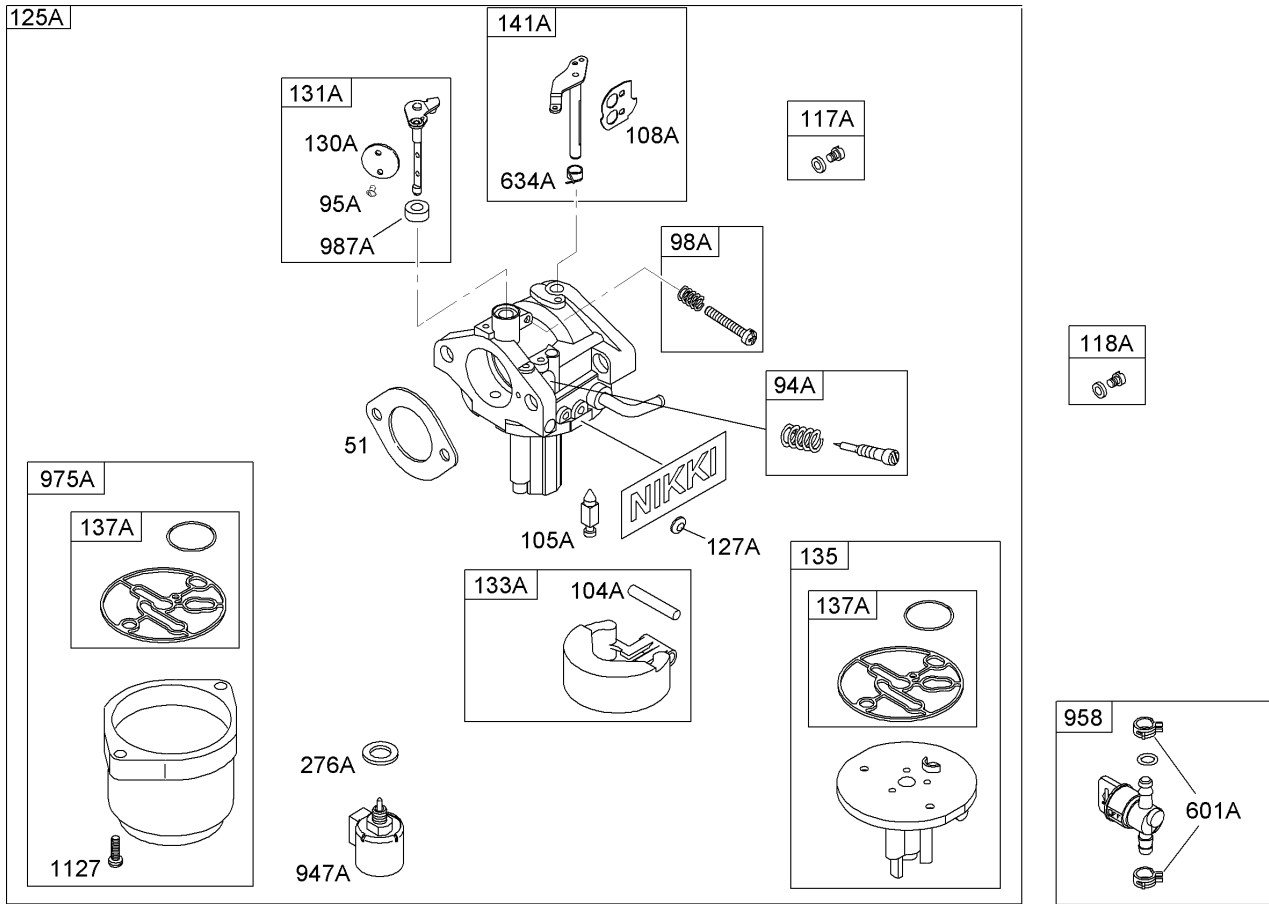


Carburetor Assembly

Briggs and Stratton Model 31A607-0117-E1

Ref	Part No.	Qty.	Description
5 6 7 9	692137	1	Gasket-Intake
5 3	690227	1	Stud (Carburetor)
5 4 9 10	690602	1	Bushing-Shaft, Throttle
5 9 4	794176	1	Idle Mixture Kit
5 4 9 5	691636	1	Screw (Throttle Valve)
5 9 8	495800	1	Idle Speed Kit
5 4 10 4	690525	1	Pin-Hinge, Carburetor Float
5 4 10 5	231855s	1	Valve-Float, Needle
5 4 10 6	691780	1	Seat-Inlet
5 10 8	692344	1	Valve-Choke
5 4 10 11 7	694352	1	Jet-Main (STD)
5 11 8	697228	1	Jet-Main (High Altitude)
5 12 5	793224	1	Carburetor
5 12 7	695005	1	Plug-Welch
5 13 0	691750	1	Valve-Throttle
5 13 1	494379	1	Throttle Shaft Kit
5 13 3	494381	1	Float-Carburetor
5 4 6 10 13 7	281165s	1	Gasket-Bowl, Float
5 14 1	495931	1	Choke Shaft Kit

Ref	Part No.	Qty.	Description
5 4 10 14 2	697140	1	Nozzle-Carburetor
5 18 7	791805	1	Line-Fuel (Cut To Required Length)
5 24 0	691035	1	Filter-Fuel
5 4 6 10 27 6	692255	1	Washer-Sealing
5 38 5	694476	1	Screw (Fuel Pump)
5 38 7	697090	1	Pump-Fuel (With Bracket)
5 60 1	791850	1	Clamp-Hose
5 4 6 10 63 4	690802	1	Spring And Seal ASM
5 65 4	690958	1	Nut (Carburetor)
5 91 8	791851	1	Line-Vacuum
5 94 7	694393	1	Solenoid-Fuel
5 97 5	495933	1	Bowl-Float
5 4 6 10 98 7	691326	1	Seal-Shaft, Throttle
5 10 9 1	691333	1	Cap-Limiter

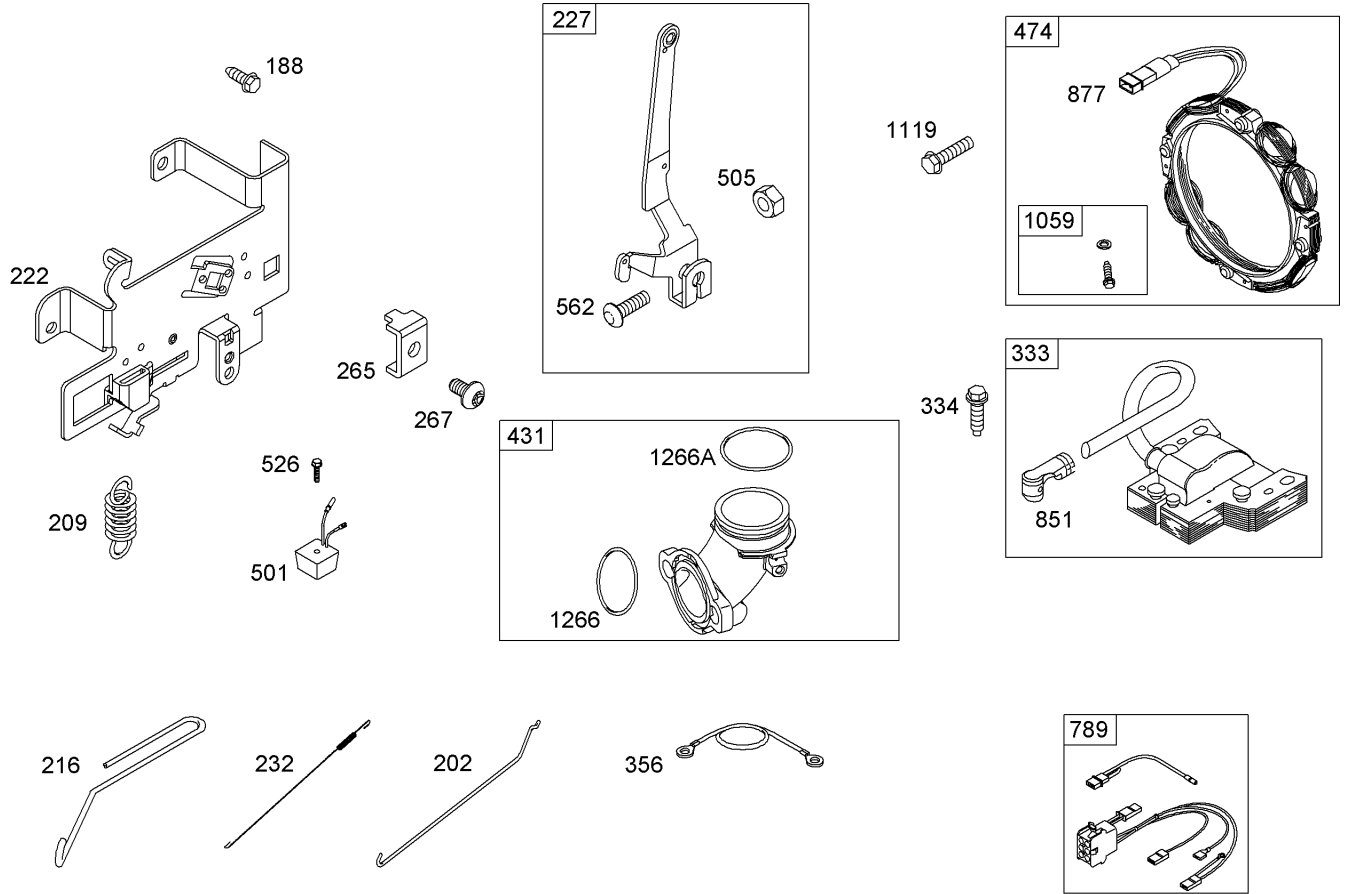


Assemblies include all parts shown in frames

Carburetor Assembly (Nikki) Briggs and Stratton Model 31A607-0117-E1

Ref	Part No.	Qty.	Description
5 6 51	692137	1	Gasket-Intake
7 9			
9 94A	695425	1	Idle Mixture Kit
3 4 95A	690718	1	Screw (Throttle Valve)
10			
9 98A	695408	1	Idle Speed Kit
3 4 104A	694918	1	Pin-Hinge, Float
10			
3 4 105A	696136	1	Valve-Float, Needle
10			
9 108A	695419	1	Valve-Choke
3 4 117A	699457	1	Jet-Main (STD)
10			
9 118A	699458	1	Jet-Main (High Altitude)
9 125A		1	Carburetor (Nikki) (For Service See Ref 125)
3 4 127A	690727	1	Plug-Welch
10			
9 130A	699500	1	Valve-Throttle
9 131A	699501	1	Throttle Shaft Kit
9 133A	694914	1	Carburetor Float ASM
9 135	698780	1	Fuel Transfer Tube ASM
3 4 137A	698781	1	Gasket-Bowl, Float
10			
9 141A	695420	1	Choke Shaft Kit
9 276A	695410	1	Washer-Sealing
9 601A	691038	1	Clamp-Hose

Ref	Part No.	Qty.	Description
3 4 634A	698779	1	Spring And Seal ASM
10			
9 947A	699915	1	Solenoid, Fuel
9 958	698183	1	Valve-Shut Off, Fuel
9 975A	699502	1	Bowl-Float
3 4 987A	698777	1	Seal-Shaft, Throttle
10			
9 1127	695407	1	Screw (Float Bowl)

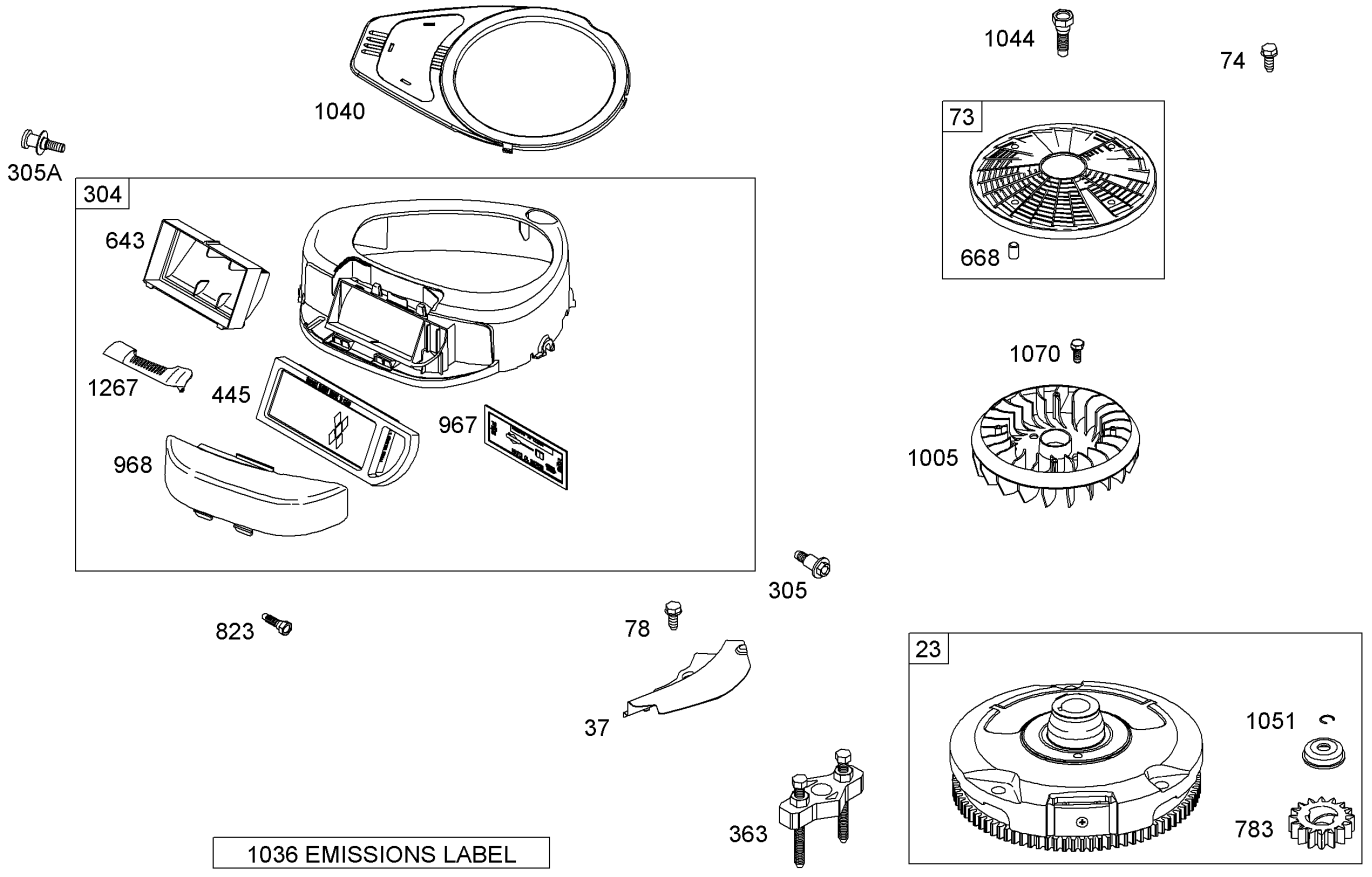


Assemblies include all parts shown in frames

Governor Assembly Briggs and Stratton Model 31A607-0117-E1

Ref	Part No.	Qty.	Description
③ 188	691693	1	Screw (Control Bracket)
③ 202	691841	1	Link-Governor, Mechanical
③ 209	691795	1	Spring-Governor
③ 216	691840	1	Link-Choke
③ 222	694042	1	Bracket-Control
③ 227	691374	1	Lever-Control, Governor
③ 232	691842	1	Spring-Link, Governor
③ 265	691024	1	Clamp-Casing
③ 267	690804	1	Screw (Casing Clamp)
③ 333	492341	1	Armature-Magneto
③ 334	691061	1	Screw (Magneto Armature)
③ 356	697089	1	Stop-Wire
③ 431	697122	1	Elbow-Intake (Magneto Armature)
③ 474	696457	1	Alternator
③ 501	691188	1	Regulator
③ 505	691251	1	Nut (Governor Control Lever)
③ 526	697088	1	Screw (Regulator)
③ 562	691119	1	Bolt (Governor Control Lever)
③ 789	698329	1	Harness-Wiring
③ 851	493880s	1	Terminal-Spark Plug
③ 877	393537	1	Connector-Wire, Tri Circuit
③ 1059	698516	1	Screw And Washer Kit
③ 1119	691183	1	Screw (Alternator)

Ref	Part No.	Qty.	Description
③ ④ 1266 ⑤ ⑩	691917	1	Seal-O Ring (Intake Elbow)
③ ④ 1266A ⑩	697123	1	Seal-O Ring (Intake Elbow)

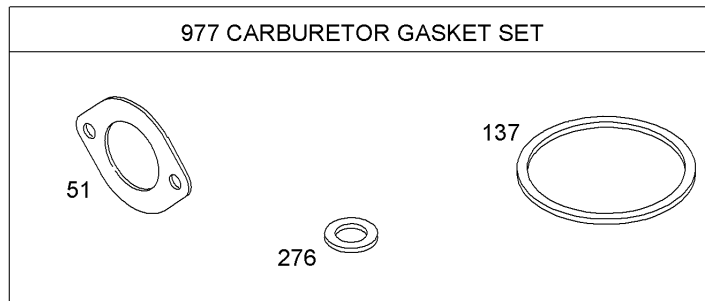
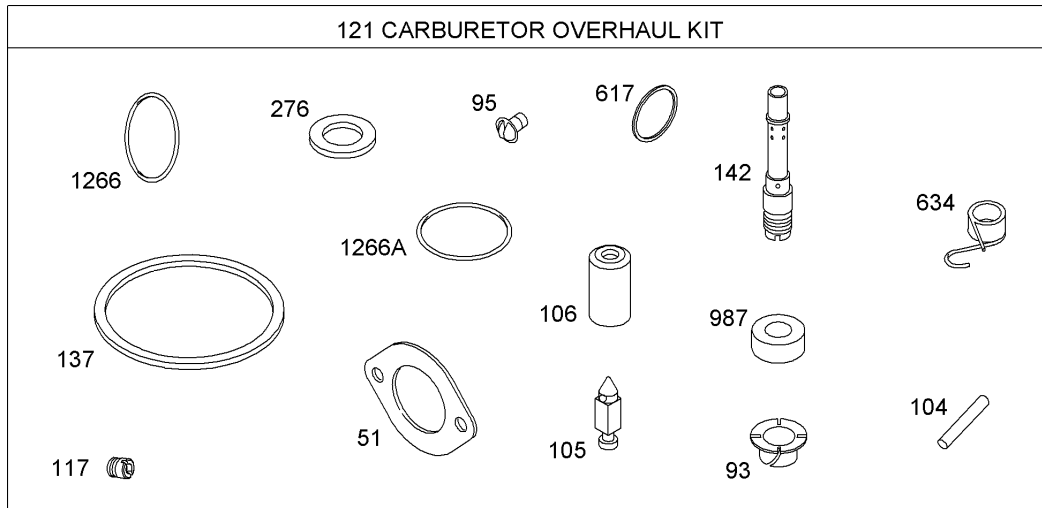


Assemblies include all parts shown in frames

Blower Housing Assembly Briggs and Stratton Model 31A607-0117-E1

Ref	Part No.	Qty.	Description
●23	790835	1	Flywheel
●37	697352	1	Guard-Flywheel
●73	697133	1	Screen-Rotating
●74	697897	1	Screw (Rotating Screen)
●78	691003	1	Screw (Flywheel Guard)
●304	698402	1	Housing-Blower
●305	697102	1	Screw (Blower Housing)
●305A	793376	1	Screw (Blower Housing)
●363	19203	1	Puller-Flywheel
●445	698083	1	Filter-Cartridge, Air Cleaner
●643	698401	1	Retainer-Filter, Air
●668	691500	1	Spacer
●783	693713	1	Gear-Pinion
●823	698941	1	Screw (Muffler Adapter)
●967	697015	1	Filter-Cleaner, Pre
●968	698403	1	Cover-Cleaner, Air
●1005	699043	1	Fan-Flywheel
●1036		1	Label-Emissions (Available From A Briggs And Stratton Authorized Service Dealer)
●1040	698368	1	Plate-Trim
●1044	698139	1	Screw (Crankshaft Extension)
●1051	691265	1	Ring-Retaining
●1070	690372	1	Screw (Flywheel Fan)

Ref	Part No.	Qty.	Description
●1267	697419	1	Latch-Housing, Blower

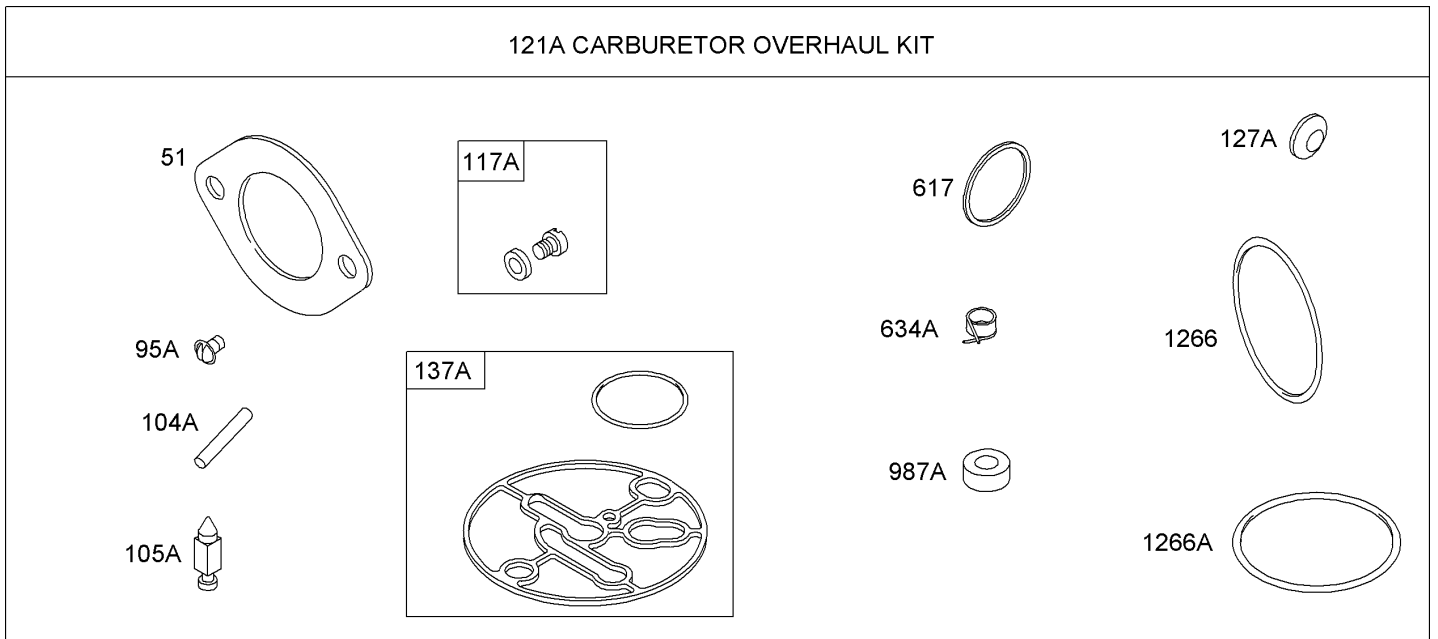


Assemblies include all parts shown in frames

Carburetor Overhaul Kit Briggs and Stratton Model 31A607-0117-E1

Ref	Part No.	Qty.	Description
5 6 51 7 9	692137	1	Gasket-Intake
3 4 93 10	690602	1	Bushing-Shaft, Throttle
3 4 95 10	691636	1	Screw (Throttle Valve)
3 4 104 10	690525	1	Pin-Hinge, Carburetor Float
3 4 105 10	231855s	1	Valve-Float, Needle
3 4 106 10	690577	1	Seat-Inlet
3 4 117 10	694352	1	Jet-Main (STD)
3 121	697241	1	Carburetor Overhaul Kit
3 4 137 5 10	281165s	1	Gasket-Bowl, Float
3 4 142 10	697140	1	Nozzle-Carburetor
3 4 276 5 10	692255	1	Washer-Sealing
3 4 617 5 10	692138	1	Seal-O Ring (Intake Manifold)
3 4 634 10	690802	1	Spring And Seal ASM
3 977	690192	1	Carburetor Gasket Set
3 4 987 10	691326	1	Seal-Shaft, Throttle

Ref	Part No.	Qty.	Description
3 4 1266 5 10	691917	1	Seal-O Ring (Intake Elbow)
3 4 1266A 10	697123	1	Seal-O Ring (Intake Elbow)



Assemblies include all parts shown in frames

Carburetor Overhaul Kit (Nikki) Briggs and Stratton Model 31A607-0117-E1

Ref	Part No.	Qty.	Description
5 6 7 8 51	692137	1	Gasket-Intake
3 4 9 10 95A	690718	1	Screw (Throttle Valve)
3 4 8 10 104A	694914	1	Carburetor Float ASM
3 4 8 10 105A	696136	1	Valve-Float, Needle
3 4 8 10 117A	699457	1	Jet-Main (STD)
3 6 12 1A	699521	1	Carburetor Overhaul Kit
3 4 8 10 127A	690727	1	Plug-Welch
3 6 8 9 137A	698781	1	Gasket-Bowl, Float
3 5 8 9 617	692138	1	Seal-O Ring (Intake Manifold)
3 4 8 10 634A	698779	1	Spring And Seal ASM
3 4 8 10 987A	698777	1	Seal-Shaft, Throttle
3 5 8 9 1266	691917	1	Seal-O Ring (Intake Elbow)
3 4 8 10 1266A	697123	1	Seal-O Ring (Intake Elbow)

Attachments and Accessories

For 74573 - DH 200 Lawn Tractor

Product Name

Model/Part

Rear Discharge Kit 79471

NOTES

NOTES

NOTES

