



LX426 Lawn Tractor

Model No. 13AL60RG544 - 1L107H10100 and up.

Parts Catalog

Ordering Replacement Parts

To order replacement parts, please supply the part number, the quantity, and the description of each part desired.

Understanding Reference Numbers

Each identified part in an illustration has a reference number. The reference number for a part also appears in the parts list, along with other information about the part.

This catalog uses two special reference number formats, one to indicate parts in a service assembly and another to indicate the quantity of a given part in an illustration.

Service Assembly Reference Numbers

Parts in service assemblies have reference numbers in the form a:b. The a represents the reference number of the entire service assembly and the b represents a sequential number unique to each part within the service assembly.

For example, a wheel assembly might be identified by reference number 6, the tire by 6:1, the valve by 6:2, and the wheel by 6:3. When you order the assembly identified by reference number 6, you receive all parts identified by reference numbers 6:1, 6:2, and 6:3. However, you may also order any part individually. Reference numbers of this type appear in illustrations and in part lists.

Reference Numbers Indicating Quantity

In an illustration, if a reference number indicates more than one part, the reference number has the form nX y. The n represents the quantity of the part, the X is the multiplication symbol, and the y represents the reference number.

For example, in an illustration, the reference number 2X 37 means that two of the parts identified by reference number 37 are indicated.

Contents

Description	Page	Description	Page
Front and Rear Wheel Assembly 3	Crankshaft and Piston/Ring Assembly Briggs and Stratton 331777-0946-B2 17
Steering Shaft and Front Axle Assembly 4	Crankcase Cover/Sump Assembly Briggs and Stratton 331777-0946-B2 18
Frame, Battery and PTO Engage Assembly 5	Carburetor and Fuel Pump Assembly Briggs and Stratton 331777-0946-B2 19
Seat and Fender Assembly 6	Governor Control Assembly Briggs and Stratton 331777-0946-B2 20
Dash, Fuel Tank and Hood Assembly 7	Blower Housing, Flywheel and Air Guide Assembly Briggs and Stratton 331777-0946-B2 21
Transmission, Brake and Traction Pedal Assembly 8	Electric Starter and Alternator Assembly Briggs and Stratton 331777-0946-B2 22
Single Speed Transmission Assembly No. 112-6083 10	Engine Gasket and Carburetor Overhaul Kit Briggs and Stratton 331777-0946-B2 23
Deck Assembly 12	Attachments and Accessories List 24
Muffler and Guard Assembly 14		
Cylinder Assembly Briggs and Stratton 331777-0946-B2 15		
Cylinder Head Assembly Briggs and Stratton 331777-0946-B2 16		

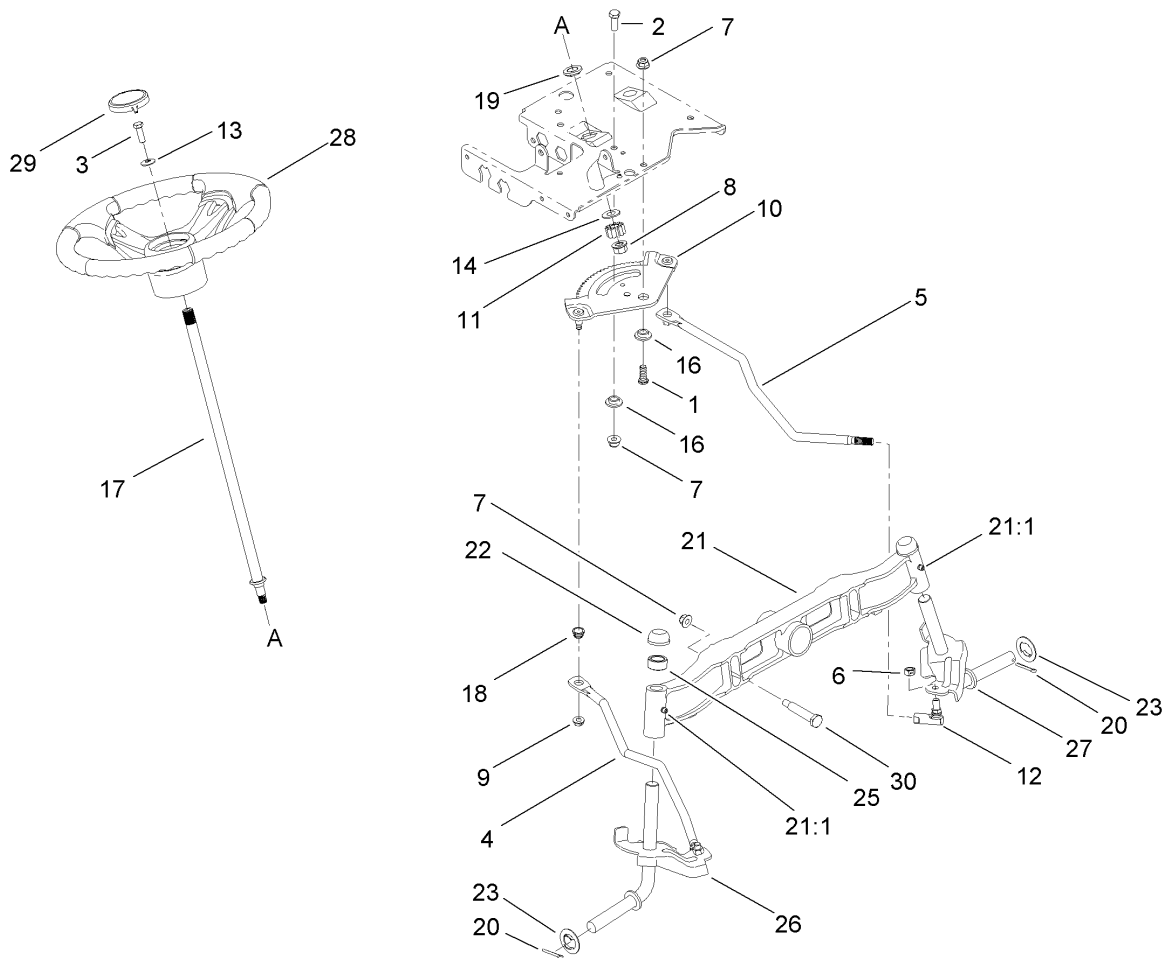
Part Description Abbreviations

Part descriptions in this catalog may include the following abbreviations.

AR. as required	HYD. hydraulic
ASM. assembly	LH. left hand
BBC. blade brake clutch	NI. nylon insert
CARR. carriage	NPTF. national pipe thread fine
DEG. degrees	PFH. phillips flat head
EXT. external	PPH. phillips pan head
FH. flat head	PPHTF. phillips pan head thread forming
GA. gauge	PRH. phillips round head
HD. heavy-duty	PTH. phillips truss head
HF. hex flange	PTO. power-take-off
HH. hex head	RH. right hand
HHF. hex head flange	ROPS. roll-over protection system
HHFTF. hex head flange thread forming	SFH. slotted fillister head
HJ. hex jam	SHH. slotted hex head
HLH. hex lag head	SHWH. slotted hex washer head
HOC. height-of-cut	SPH. slotted pan head
HSBH. hex socket button head	SQH. square head
HSFH. hex socket flat head	SRH. slotted round head
HSH. hex socket head	STD. standard
HWH. hex washer head	TAP. self tapping
HWHTF. hex washer head thread forming	TTH. torx truss head

Footnotes

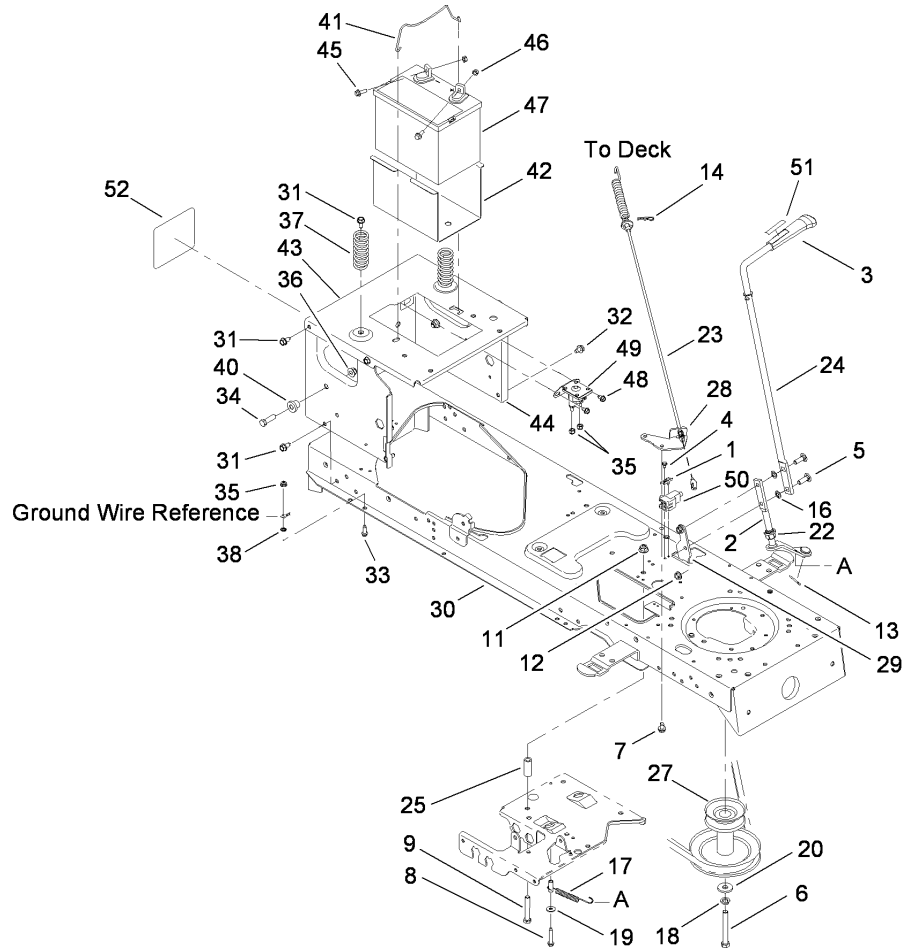
- | | |
|---|--|
| ❶ Obtain from your local Briggs & Stratton dealer | ❷ Included in Carburetor Overhaul Kit (Ref. No. 121) |
| ❸ Included in Engine Gasket Set (Ref. No. 358) | ❹ Included in Valve Gasket Set (Ref. No. 1095) |



Steering Shaft and Front Axle Assembly

Ref	Part No.	Qty.	Description
1	112-0631	1	Screw-HH
2	112-0492	1	Screw-HH
3	112-0473	1	Screw-HH
4	112-0355	1	Link-Drag, RH
5	112-0346	1	Link-Drag, LH
6	112-0483	1	Nut-Hex, Lock
7	112-0668	1	Nut-Lock, Flange
8	112-0859	1	Nut-Lock, Flange
9	112-0511	1	Nut-Lock, Flange
10	112-0862	1	Gear-Steering
11	112-0863	1	Gear-Pinion, Steering
12	112-0917	1	Ball Joint ASM
13	112-0924	1	Washer-Flat
14	112-0925	1	Washer-Flat
16	112-0881	1	Spacer-Shoulder
17	112-6097	1	Shaft-Steering
18	112-0929	1	Bushing
19	112-6098	1	Bearing-Flange, Hex
20	112-0860	1	Pin-Cotter
21	112-6099	1	Pivot-Axle, Cast Iron
21:1	112-0926	1	Fitting-Grease
22	112-0323	1	Cap
23	112-5972	1	Washer-Flat
25	112-6136	1	Spacer

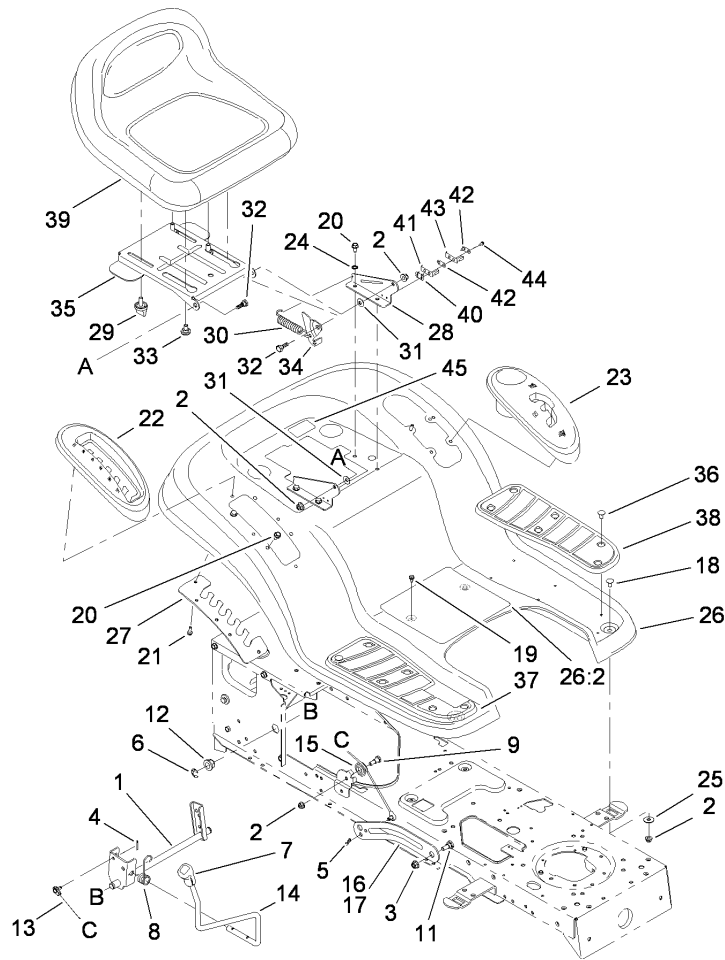
Ref	Part No.	Qty.	Description
26	112-0547	1	RH Axle ASM
27	112-0562	1	LH Axle ASM
28	112-6100	1	3 Spoke Wheel Steering ASM
29	112-3734	1	Cap-Wheel, Steering
30	112-0699	1	Bolt-Shoulder



Frame, Battery and PTO Engage Assembly

Ref	Part No.	Qty.	Description
1	112-0671	1	Plate-Switch
2	112-6007	1	Lever-Engage, PTO
3	112-6011	1	Knob-PTO
4	112-0651	1	Screw-TAP
5	112-0598	1	Bolt-CARR
6	112-6008	1	Screw-HH
7	112-0676	1	Screw-TAP
8	112-0843	1	Screw-HWH
9	112-0700	1	Screw-HH
11	112-0668	1	Nut-Lock, Flange
12	112-0511	1	Nut-Lock, Flange
13	112-6010	1	Pin-Cotter
14	112-0398	1	Pin-Click
16	112-0645	1	Nut-Push
17	112-0567	1	Spring-Extension
18	112-0428	1	Washer-Lock
19	112-3695	1	Washer-Flat
20	112-0380	1	Washer-Flat
22	112-0384	1	Bearing-Flange, Hex (Split)
23	112-6137	1	Cable-Engage, Deck
24	112-0393	1	Handle-Engage, Deck
25	112-0433	1	Spacer
27	112-0333	1	Pulley-Engine
28	112-6105	1	Bracket-Mount, Cable

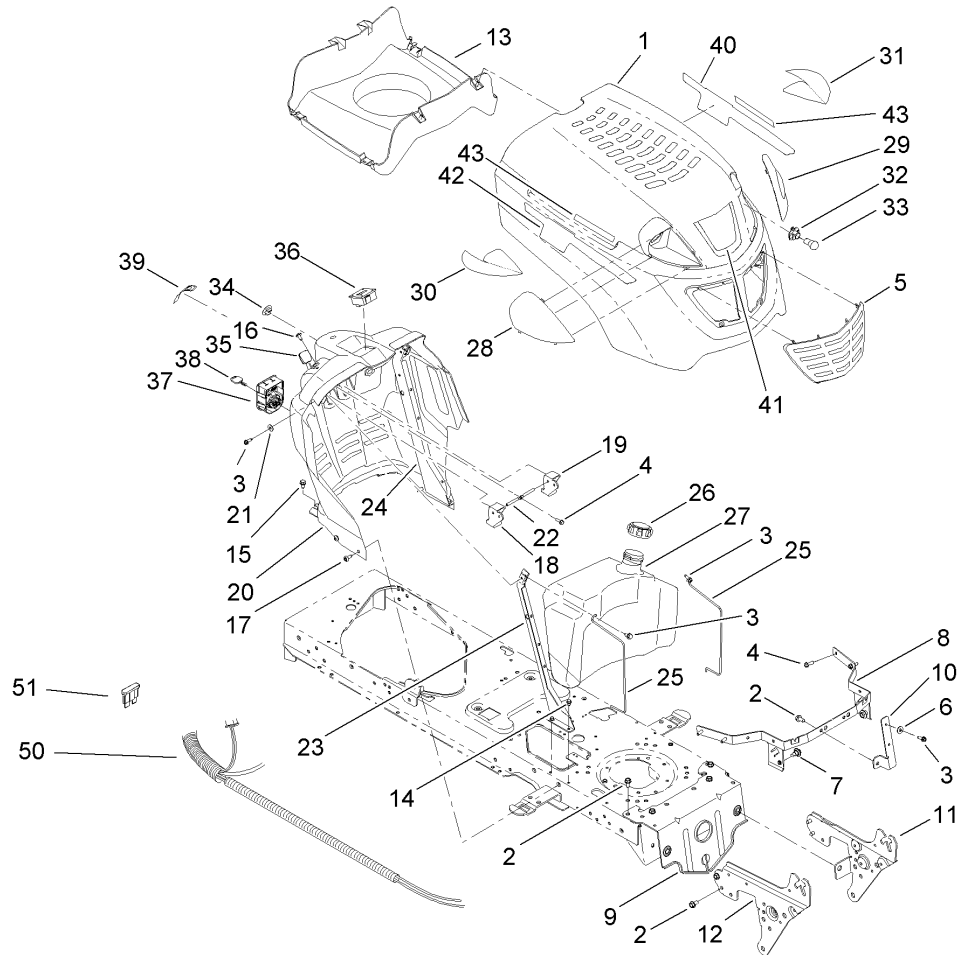
Ref	Part No.	Qty.	Description
29	112-0516	1	Bracket-Stop
30	112-5974	1	Lower Frame ASM
31	112-6070	1	Screw-TAP
32	112-0676	1	Screw-TAP
33	112-0587	1	Screw-TAP
34	112-0557	1	Screw-HH
35	112-0636	1	Nut-Lock, Flange
36	112-0668	1	Nut-Lock, Flange
37	112-0501	1	Spring-Compression
38	112-0703	1	Washer-Lock, External
40	112-0661	1	Spacer-Shoulder
41	112-0581	1	Rod-Holddown, Battery
42	112-0570	1	Tray-Battery
43	112-0647	1	Bracket-Frame, Seat
44	112-6107	1	Frame-Upper
45	112-1070	1	Bolt-Carriage
46	112-0546	1	Nut-Sems
47	112-0425	1	Battery-245, Cca (Dry Flat Top)
48	112-6108	1	Screw-TAP
49	112-6073	1	Solenoid-12V, 2 Post 2 Tab
50	112-0455	1	Switch-Interlock
51	112-1274	1	Decal-PTO, Manual
52	112-1284	1	Decal



Seat and Fender Assembly

Ref	Part No.	Qty.	Description
1	112-5969	1	Lift Shaft ASM
2	112-0650	1	Nut-Lock, Flange
3	112-0668	1	Nut-Lock, Flange
4	112-0459	1	Pin-Cotter
5	112-0568	1	Pin-Cotter
6	112-0586	1	Ring-E
7	112-0585	1	Grip-Handle
8	112-0477	1	Spring-Torsion
9	112-0443	1	Bolt-Shoulder
11	112-0669	1	Bolt-Shoulder
12	112-0347	1	Bearing-Flange
13	112-0374	1	Cable-Lift
14	112-5970	1	Handle-Lift
15	112-0502	1	Pulley-Roller
16	112-6109	1	Arm-Lift, RH
17	112-6110	1	Arm-Lift, LH
18	112-0426	1	Bolt-CARR
19	112-0524	1	Screw-HWHTF
20	112-6070	1	Screw-TAP
21	112-0509	1	Screw-TAP
22	112-0869	1	Cover-Lever, Lift
23	112-6111	1	Cover-Holder (W/Cup)
24	112-0517	1	Washer-Lock, External
25	112-0582	1	Washer-Flat

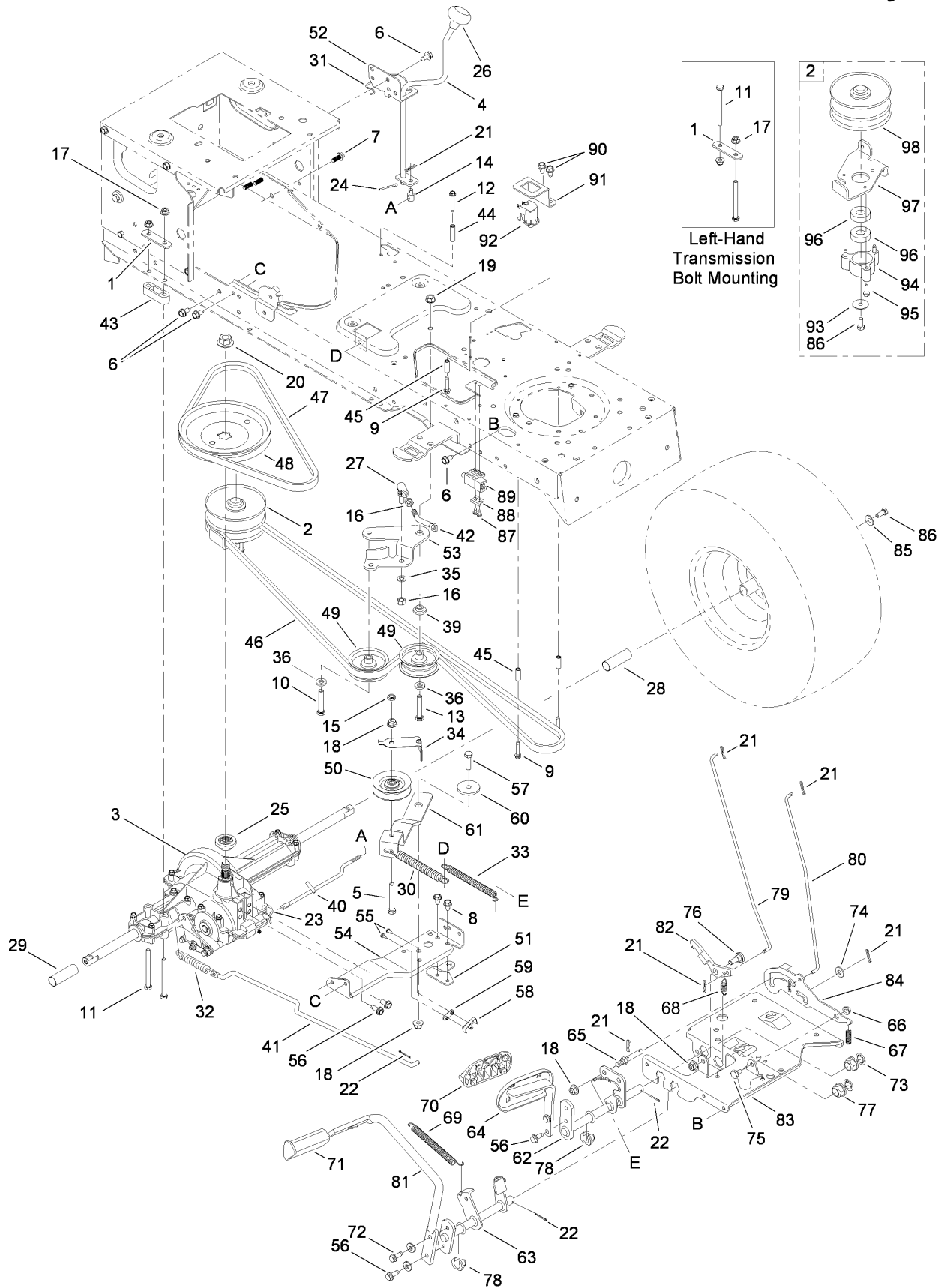
Ref	Part No.	Qty.	Description
26	112-6112	1	Fender
26:2	112-1262	1	Decal-Danger
27	112-0629	1	Bracket-Adjusting, Lift
28	112-6046	1	Bracket-Mount, Seat
29	112-0409	1	Knob
30	112-0616	1	Spring-Extension
31	112-0435	1	Washer-Bell
32	112-0575	1	Bolt-Shoulder
33	112-0554	1	Bolt-Shoulder
34	112-0646	1	Bracket-Lift, LH
35	112-6113	1	Bracket-Pivot, Seat
36	112-0549	1	Clip-Ratchet, Fastener
37	112-0540	1	Pad-Foot, RH
38	112-0545	1	Pad-Foot, LH
39	112-6114	1	Seat-Medium
40	112-0637	1	Plate-Boss, Insulator
41	112-0532	1	Switch-Spring, Inner
42	112-0635	1	Plate-Insulator
43	112-0529	1	Switch-Spring
44	112-0626	1	Screw-HWHTF
45	112-1260	1	Decal-Service (Toro Hotline)



Dash, Fuel Tank and Hood Assembly

Ref	Part No.	Qty.	Description	Ref	Part No.	Qty.	Description
1	112-0444	1	Hood	25	112-0678	1	Rod-Support
2	112-6070	1	Screw-TAP	26	112-6120	1	Cap-Fuel
3	112-0587	1	Screw-TAP	27	112-6119	1	Tank-Fuel, 3 Gal
4	112-0509	1	Screw-TAP	28	112-0447	1	Lens-RH
5	112-0381	1	Grill	29	112-0446	1	Lens-LH
6	112-3695	1	Washer-Flat	30	112-5810	1	Reflector-RH
7	112-6128	1	Bolt-Shoulder, TAP	31	112-5811	1	Reflector-LH
8	112-5985	1	Bracket-Pivot	32	112-0408	1	Socket-Headlight
9	112-6127	1	Bracket-Pivot	33	112-0402	1	Lamp-12V, Miniature
10	112-5986	1	Bracket-Support, Hood	34	112-0535	1	Plug-Choke
11	112-6126	1	Bracket-Pivot, Support (LH)	35	112-6118	1	Cable-Throttle / Choke
12	112-6125	1	Bracket-Pivot, Support (RH)	36	112-6117	1	Meter-Hour
13	112-6124	1	Plenum-Hood	37	112-6116	1	Module-Switch, Ignition
14	112-3696	1	Screw-TAP	38	112-6115	1	Key-Ignition
15	112-0676	1	Screw-TAP	39	112-3702	1	Decal-Throttle
16	112-0550	1	Screw-TAP	40	112-5952	1	Decal-Hood, Left Side
17	112-0563	1	Screw-TAP	41	112-3716	1	Decal-Hood
18	112-0526	1	Lever-Cruise	42	112-5953	1	Decal-Hood, Right Side
19	112-0580	1	Lever-Brake	43	112-6189	1	Decal
20	112-6123	1	Dash-Manual, PTO	50	112-6187	1	Harness-Wire
21	112-0485	1	Washer-Spring	51	112-5943	1	Fuse-20 Amp
22	112-0604	1	Rod-Lever, Bent				
23	112-6122	1	Support-Dash, RH				
24	112-6121	1	Support-Dash, LH				

Transmission, Brake and Traction Pedal Assembly

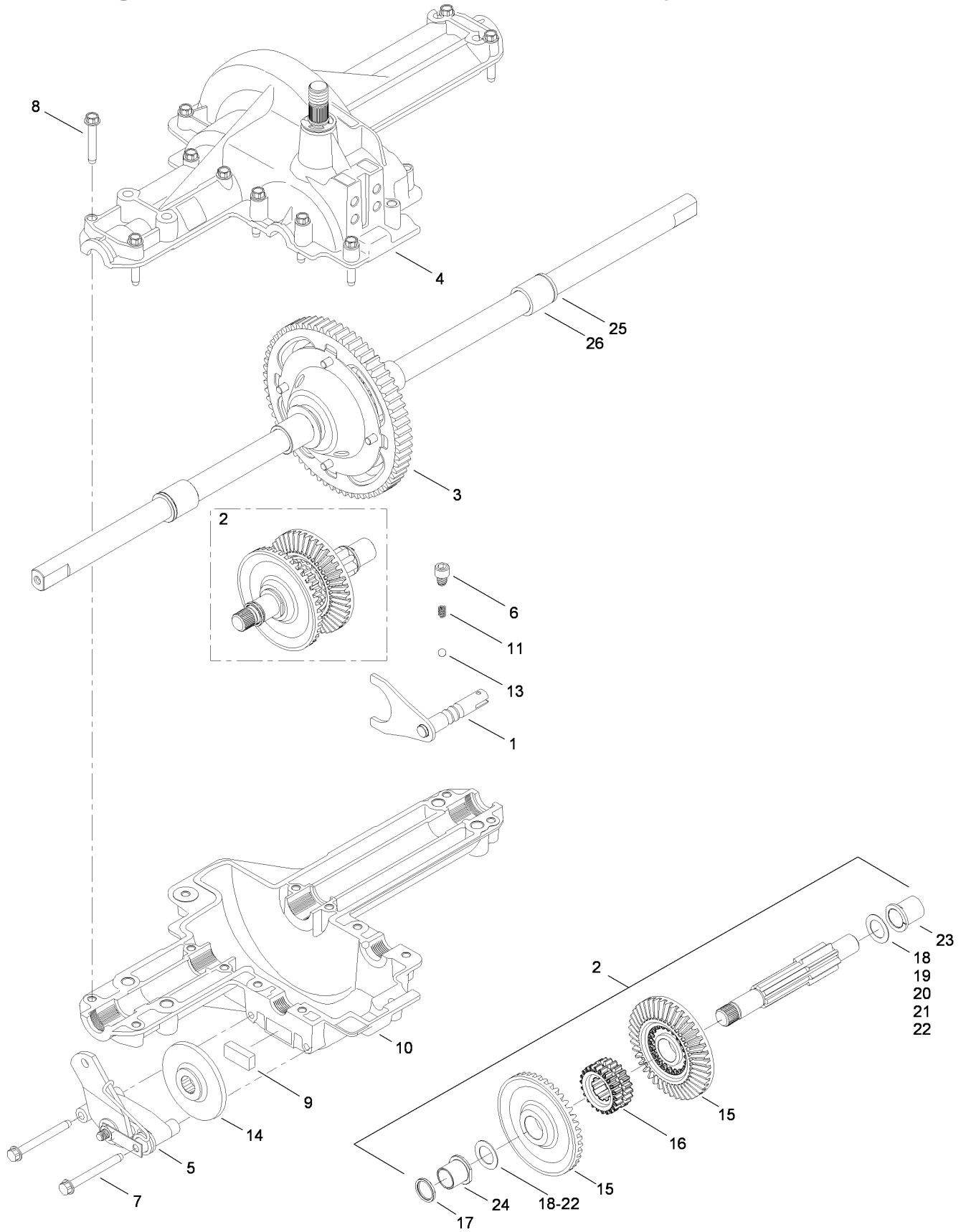


Transmission, Brake and Traction Pedal Assembly

Ref	Part No.	Qty.	Description
1	112-0628	1	Bracket-Mounting, Transmission
2	112-6129	1	Pulley ASM
3	112-6083	1	Single Speed Transaxle ASM
4	112-0627	1	Shift Lever ASM
5	112-6130	1	Screw-HH
6	112-6070	1	Screw-TAP
7	112-6131	1	Screw-HH
8	112-0676	1	Screw-TAP
9	112-0603	1	Screw-HH
10	112-0469	1	Screw-TAP
11	112-0667	1	Screw-HH
12	112-0839	1	Screw-TAP
13	112-0421	1	Screw-HH
14	112-0592	1	Ferrule-Adjustable
15	112-6132	1	Nut-Jam, Lock
16	112-0343	1	Nut-Hex
17	112-0650	1	Nut-Lock, Flange
18	112-0668	1	Nut-Lock, Flange
19	112-0385	1	Nut-Lock, Flange
20	112-0451	1	Nut-Flange
21	112-0459	1	Pin-Cotter
22	112-0568	1	Pin-Cotter
23	112-0639	1	Pin-Hair
24	112-0412	1	Pin-Cotter
25	112-0450	1	Hub-Pulley
26	112-0514	1	Knob-Shift
27	112-0306	1	Ball Joint ASM
28	112-0670	1	Sleeve
29	112-0683	1	Sleeve
30	112-5991	1	Spring-Extension
31	112-0357	1	Clip-Spring, Shifter
32	112-0350	1	Spring-Extension
33	112-0348	1	Spring-Extension
34	112-5883	1	Guide-Belt, Traction
35	112-0415	1	Washer-Lock
36	112-0544	1	Washer-Flat
39	112-0345	1	Spacer-Shoulder
40	112-5992	1	Rod-Shift
41	112-0655	1	Rod-Brake
42	112-0538	1	Rod-Adjustment, Idler
43	112-0673	1	Spacer-Transaxle
44	112-5831	1	Spacer
45	112-0644	1	Spacer
46	112-0301	1	Belt-Drive, Variable Speed
47	112-0305	1	Belt-Drive, Transmission
48	112-0379	1	Pulley-V (W/Hub)
49	112-0313	1	Pulley-Idler, Flat
50	112-6133	1	Pulley-Idler, V-Type
51	112-0701	1	Bracket-Shift
52	112-0638	1	Bracket-Shift
53	112-0525	1	Bracket-Idler, Center Double
54	112-6134	1	Bracket ASM

Ref	Part No.	Qty.	Description
55	112-0626	1	Screw-HWHTF
56	112-0395	1	Screw-HWH
57	112-0557	1	Screw-HH
58	112-0602	1	Switch-Spring, Short
59	112-0625	1	Plate-Insulator
60	112-0584	1	Spacer-Shoulder
61	112-6135	1	Bracket-Idler
62	112-0539	1	Speed Control ASM
63	112-5998	1	Speed Control ASM
64	112-0680	1	Pedal ASM
65	112-0599	1	Pin
66	112-0511	1	Nut-Lock, Flange
67	112-0506	1	Spring
68	112-0510	1	Spring-Extension
69	112-0348	1	Spring-Extension
70	112-0543	1	Pad-Pedal
71	112-6001	1	Pad-Brake
72	112-0366	1	Washer-Lock
73	112-0339	1	Washer-Flat
74	112-0541	1	Washer-Flat
75	112-0542	1	Bolt-Shoulder
76	112-0442	1	Bolt-Shoulder
77	112-0347	1	Bearing-Flange
78	112-0387	1	Bearing-Flange, Hex (Split)
79	112-0675	1	Rod-Brake, Lock Control
80	112-0662	1	Rod-Control, Cruise
81	112-6005	1	Pedal-Brake
82	112-6004	1	Latch-Cruise
83	112-0681	1	Bracket-Support, Steering
84	112-0679	1	Bracket-Lockout
85	112-0435	1	Washer-Bell
86	112-0551	1	Screw-HH
87	112-0651	1	Screw-TAP
88	112-0671	1	Plate-Switch
89	112-0455	1	Switch-Interlock
90	112-0524	1	Screw-HWHTF
91	112-3737	1	Bracket-Switch, Parking Brake
92	112-0441	1	Switch-Mount, Snap
93	112-0500	1	Washer-Flat
94	112-5996	1	Cup-Bearing
95	112-0843	1	Screw-HWH
96	112-0928	1	Bearing-Ball
97	112-5995	1	Bracket-Pulley
98	112-6129	1	Pulley ASM

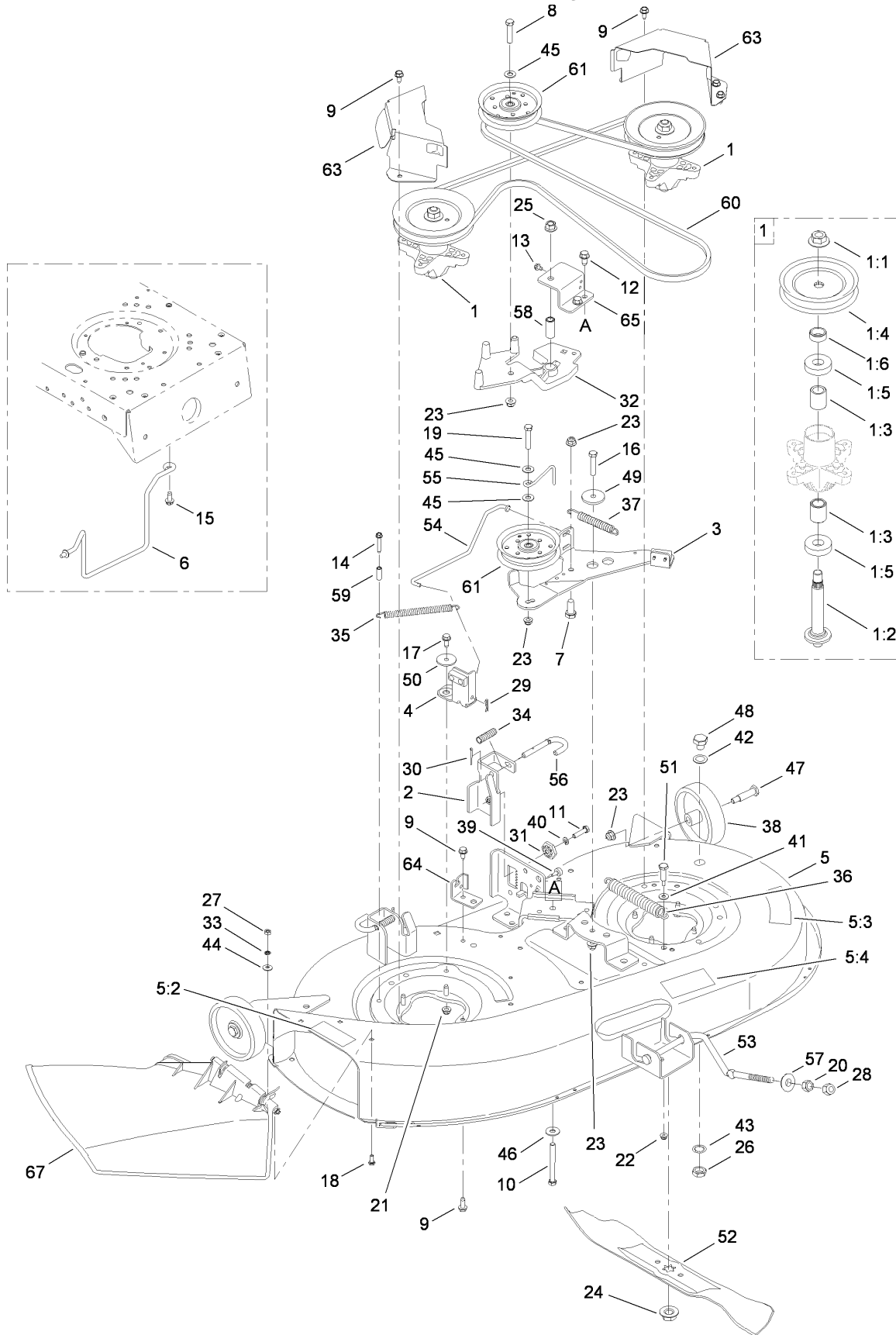
Single Speed Transmission Assembly No. 112-6083



Single Speed Transmission Assembly No. 112-6083

Ref	Part No.	Qty.	Description				
1	112-0806	1	Shift Fork ASM				
2	112-6084	1	Drive Shaft ASM				
3	112-6085	1	Differential ASM				
4	112-6086	1	Upper Housing ASM				
5	112-0832	1	Brake ASM				
6	112-6087	1	Screw-TAP				
7	112-0698	1	Screw-HWH				
8	112-0839	1	Screw-TAP				
9	112-0741	1	Puck-Brake				
10	112-6088	1	Housing-Lower				
11	112-0801	1	Spring-Detent				
13	112-0799	1	Ball-Detent				
14	112-0817	1	Disc-Brake				
15	112-6089	1	Gear-Bevel, 42T (Spline)				
16	112-6090	1	Collar-Cluster				
17	112-6091	1	Seal				
18	112-0748	1	Washer-Flat				
19	112-0750	1	Washer-Flat				
20	112-0745	1	Washer-Flat				
21	112-0773	1	Washer-Thrust				
22	112-0755	1	Washer-Thrust				
23	112-0794	1	Bearing-Flange				
24	112-0795	1	Bearing-Flange				
25	112-0800	1	Seal				
26	112-6092	1	Bearing-Sleeve				

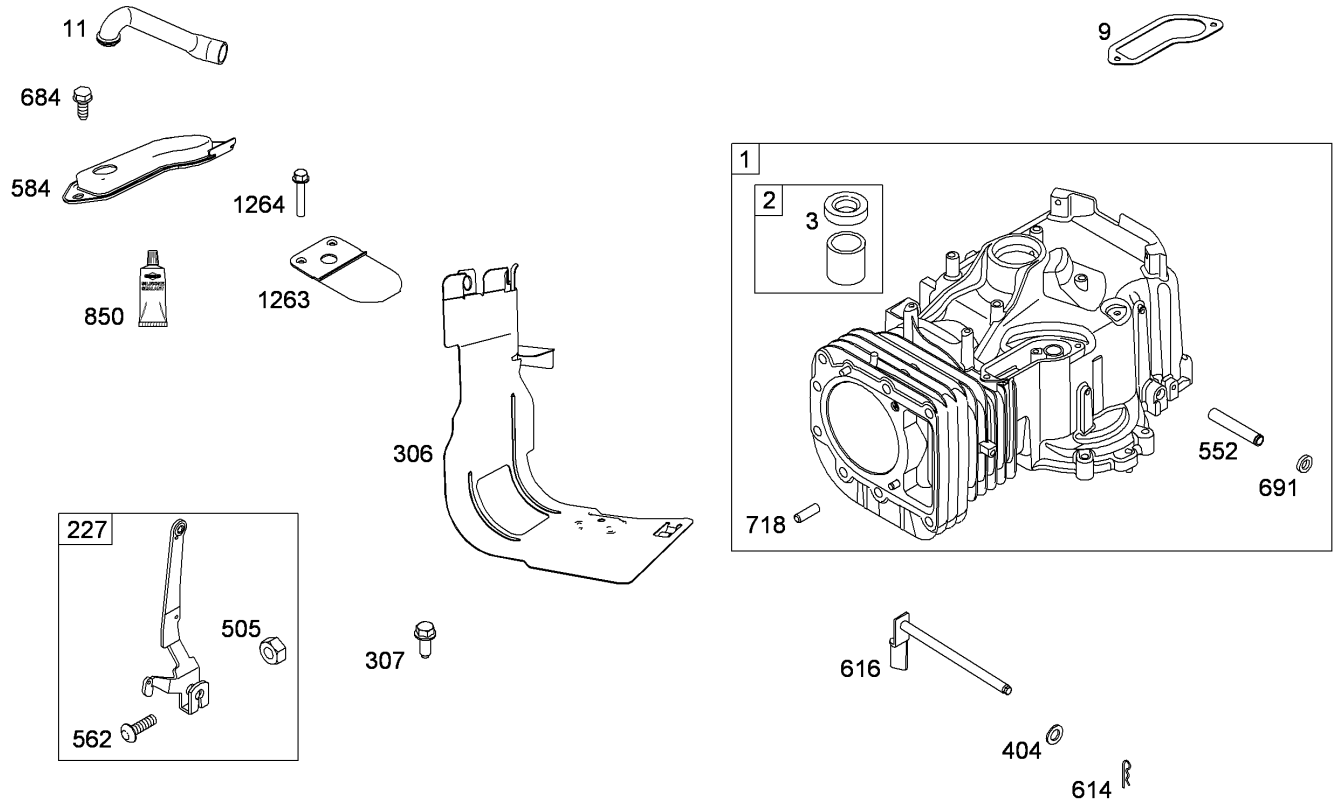
Deck Assembly



Deck Assembly

Ref	Part No.	Qty.	Description
1	112-6063	1	Spindle ASM
1:1	112-0330	1	Nut-Flange, Hex
1:2	112-6062	1	Shaft-Spindle
1:3	112-0389	1	Spacer
1:4	112-0613	1	Pulley-Deck
1:5	112-0377	1	Bearing-Ball
1:6	112-6061	1	Spacer
2	112-0413	1	LH Hanger Bracket ASM
3	112-0606	1	Deck Brake ASM
4	112-3742	1	Brake ASM
5	112-5857	1	Deck And Decal ASM
5:2	112-1267	1	Decal-Danger
5:3	112-1265	1	Decal-Danger
5:4	112-1270	1	Decal-Routing, Belt
6	112-6071	1	Rod-Keeper, Belt
7	112-0855	1	Screw-HH
8	112-0513	1	Screw-HH
9	112-6070	1	Screw-TAP
10	112-3745	1	Screw-HH
11	112-0373	1	Screw-HH
12	112-0906	1	Screw-HWHTF
13	112-6022	1	Screw-TAP
14	112-0843	1	Screw-HWH
15	112-0395	1	Screw-HWH
16	112-0557	1	Screw-HH
17	112-1090	1	Screw-HH
18	112-0499	1	Screw-HH
19	112-0421	1	Screw-HH
20	112-0458	1	Nut-Hex
21	112-0650	1	Nut-Lock, Flange
22	112-0636	1	Nut-Lock, Flange
23	112-0668	1	Nut-Lock, Flange
24	112-0330	1	Nut-Flange, Hex
25	112-0859	1	Nut-Lock, Flange
26	112-0351	1	Nut-Hex
27	112-0522	1	Nut-Hex
28	112-0476	1	Nut-Lock, Hex (Nylon)
29	112-0459	1	Pin-Cotter
30	112-0412	1	Pin-Cotter
31	112-0327	1	Gear-Adjustment, Deck
32	112-6069	1	Bracket-Idler
33	112-0623	1	Retainer-Bolt
34	112-0406	1	Spring-Compression
35	112-0528	1	Spring-Extension
36	112-6043	1	Spring-Extension
37	112-3746	1	Spring-Extension
38	112-0337	1	Wheel-Deck, Rear
39	112-1016	1	Bumper
40	112-0366	1	Washer-Lock
41	112-3695	1	Washer-Flat
42	112-0339	1	Washer-Flat
43	112-0643	1	Washer-Lock

Ref	Part No.	Qty.	Description
44	112-0485	1	Washer-Spring
45	112-0572	1	Washer-Flat
46	112-0380	1	Washer-Flat
47	112-0334	1	Bolt-Shoulder
48	112-0577	1	Plug
49	112-0584	1	Spacer-Shoulder
50	112-3747	1	Spacer-Shoulder
51	112-6068	1	Bolt-Shoulder
52	112-0315	1	Blade
53	112-0607	1	Rod-Deck, Front Adjustment
54	112-3748	1	Rod-Brake
55	112-5879	1	Rod-Keeper, Belt
56	112-0436	1	Pin-Handle, Deck Release
57	112-0641	1	Cup-Pivot, Lift
58	112-3749	1	Spacer
59	112-0644	1	Spacer
60	112-5800	1	Belt-V Type
61	112-0314	1	Pulley-Idler
63	112-6067	1	Cover-Belt
64	112-0718	1	Bracket-Cable, Deck
65	112-6066	1	Support-Bracket, Pivot
67	112-0353	1	Discharge Chute ASM



1330 Repair Manual

48 Short Block

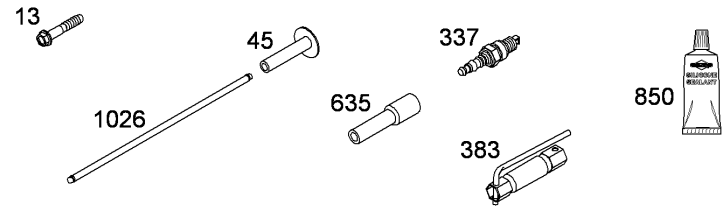
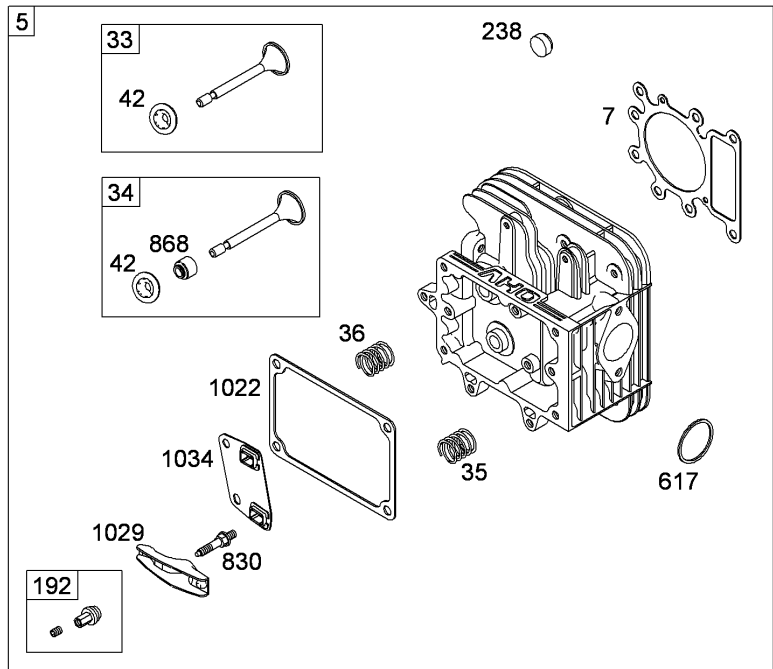
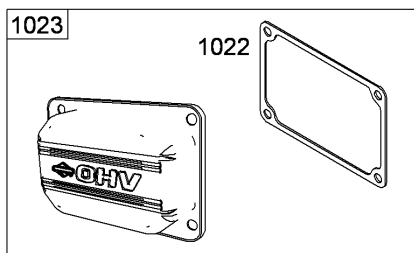
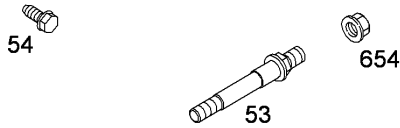
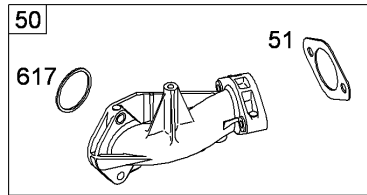
1058 Operator Manual

Assemblies include all parts shown in frames

Cylinder Assembly Briggs and Stratton 331777-0946-B2

Ref	Part No.	Qty.	Description
1	794128	1	Cylinder Assembly
2	399265	1	Bushing And Seal Kit (Magneto Side)
3	391086s	1	Seal-Oil (Magneto Side)
9	697109	1	Gasket-Breather
11	794683	1	Tube-Breather
48	795446	1	Short Block
227	691374	1	Lever-Control, Governor
306	794953	1	Shield-Cylinder
307	691003	1	Screw (Cylinder Shield)
404	691691	1	Washer (Governor Crank)
505	691251	1	Nut (Governor Control Lever)
552	697144	1	Bushing-Crank, Governor
562	691119	1	Bolt (Governor Control Lever)
584	794682	1	Cover-Passage, Breather (Use With Liquid Sealant, Ref 850)
614	691620	1	Pin-Cotter
616	692012	1	Crank-Governor
684	697157	1	Screw (Breather Passage Cover)
691	692407	1	Seal-Shaft, Governor
718	690959	1	Pin-Locating
850	100106	1	Sealant-Liquid
1058	276352	1	Operator Manual
1263	697124	1	Reed-Breather

Ref	Part No.	Qty.	Description
1264	697104	1	Screw (Breather Reed)
1330	273521	1	Repair Manual

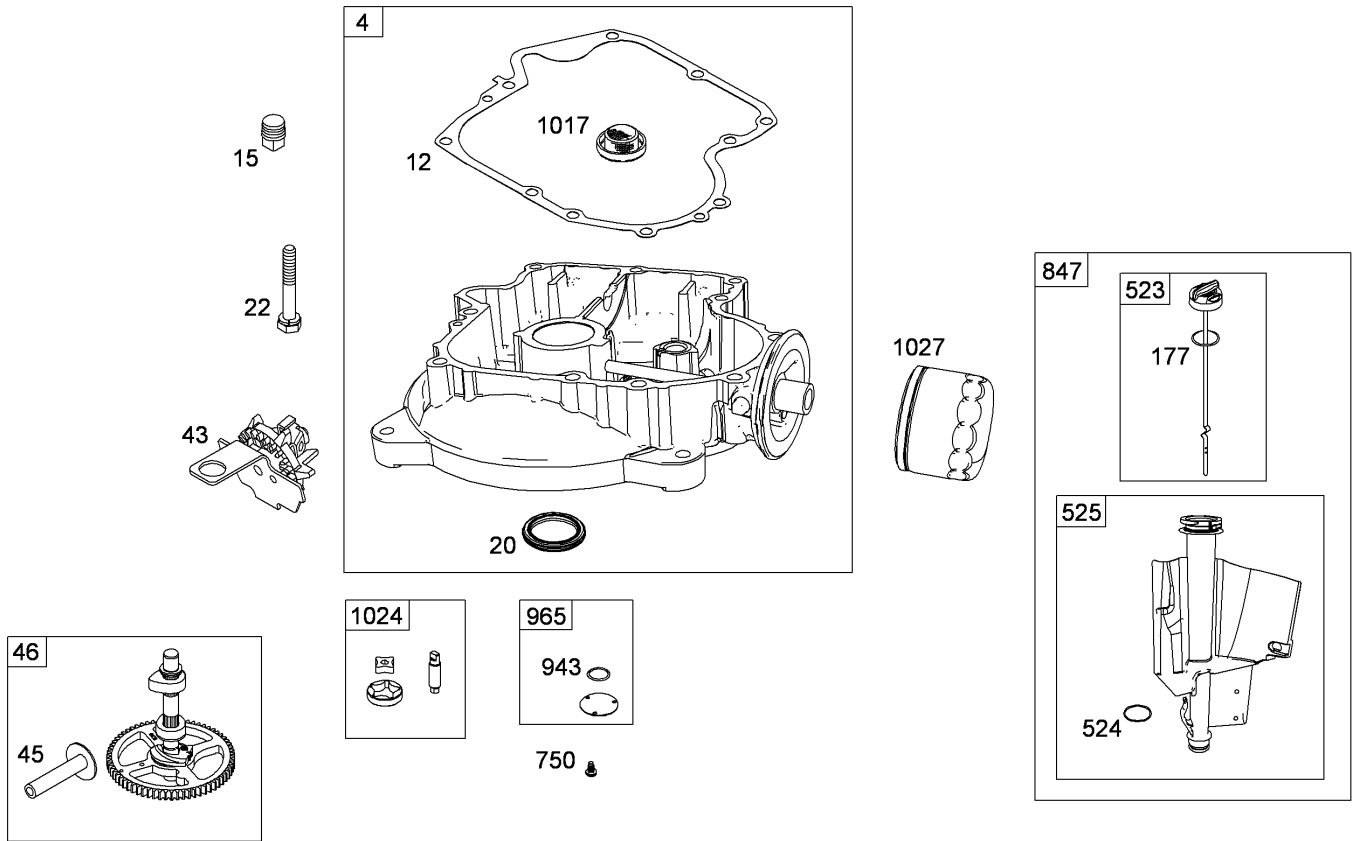


Assemblies include all parts shown in frames

Cylinder Head Assembly Briggs and Stratton 331777-0946-B2

Ref	Part No.	Qty.	Description
1 5	796005	1	Head-Cylinder
1 3 7	794114	1	Gasket-Head, Cylinder
4			
1 13	793988	1	Screw (Cylinder Head)
1 33	792688	1	Valve-Exhaust
1 34	791935	1	Valve-Intake
1 35	691279	1	Spring-Valve (Intake)
1 36	691279	1	Spring-Valve (Exhaust)
1 42	499586	1	Keeper-Valve
1 45	690564	1	Tappet-Valve
1 50	690193	1	Manifold-Intake
1 2 5 1	692137	1	Gasket-Intake
3 4			
1 53	690227	1	Stud (Carburetor)
1 54	691148	1	Screw (Intake Manifold)
1 192	691986	1	Adjustor-Arm, Rocker
1 238	691843	1	Cap-Valve
1 337	491055s	1	Plug-Spark
1 383	89838s	1	Wrench-Spark Plug
1 2 6 1 7	692138	1	Seal-O Ring (Intake Manifold) (Red)
3			
1 635	691909	1	Boot-Spark Plug
1 654	690958	1	Nut (Carburetor)
1 830	691095	1	Stud-Arm, Rocker

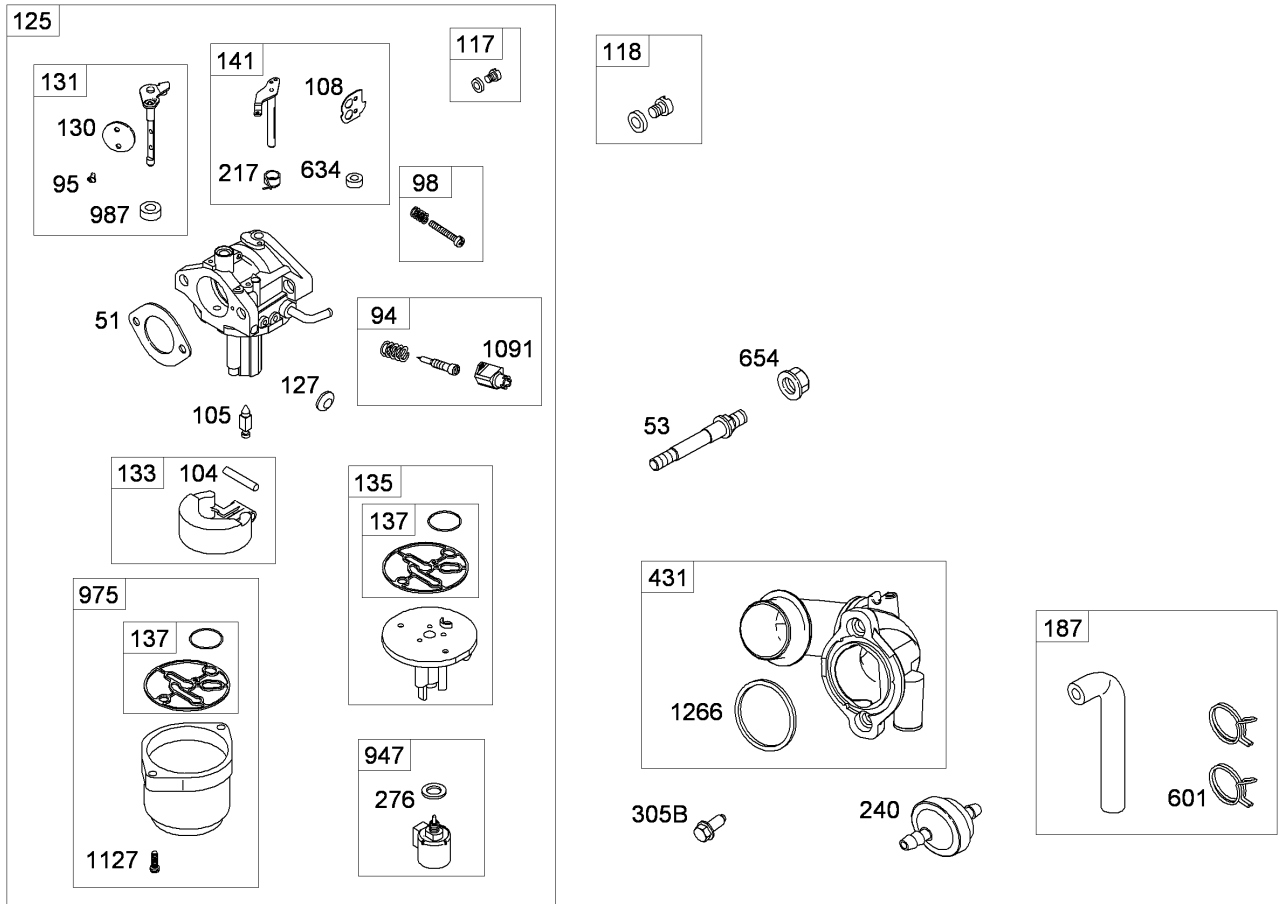
Ref	Part No.	Qty.	Description
1 850	100106	1	Sealant-Liquid (Use To Install Rocker Cover)
1 3 8 6 8	690968	1	Seal-Valve
4			
1 914	697551	1	Screw (Rocker Cover)
1 3 10 2 2	272475s	1	Gasket-Cover, Rocker
4			
1 10 2 3	791079	1	Cover-Rocker (Use With Liquid Sealant, Ref 850)
1 10 2 6	692003	1	Rod-Push (Intake)
1 10 2 6	692011	1	Rod-Push (Exhaust)
1 10 2 9	691751	1	Arm-Rocker
1 10 3 4	690822	1	Guide-Rod, Push



Assemblies include all parts shown in frames

Crankcase Cover/Sump Assembly Briggs and Stratton 331777-0946-B2

Ref	Part No.	Qty.	Description
④	795993	1	Sump-Engine
①③12	697110	1	Gasket-Crankcase
①15	690946	1	Plug-Drain, Oil
①③20	795387	1	Seal-Oil (PTO Side)
①22	692125	1	Screw (Crankcase/Cover/Sump)
①43	691968	1	Slinger-Governor, Oil
①45	690564	1	Tappet-Valve
①46	793880	1	Camshaft
①③177	691031	1	Seal-O Ring (Dipstick Tube)
①523	699908	1	Dipstick
①③524	691032	1	Seal-O Ring (Dipstick Tube)
①525	697184	1	Tube-Dipstick
①750	790832	1	Screw (Oil Pump Cover)
①847	790442	1	Dipstick And Tube ASM
①③943	690589	1	Seal-O Ring (Oil Pump Cover)
①965	499613	1	Cover-Pump, Oil
①1017	690770	1	Screen-Pump, Oil
①1024	794644	1	Pump-Oil
①1027	492932s	1	Filter-Oil

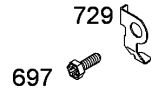
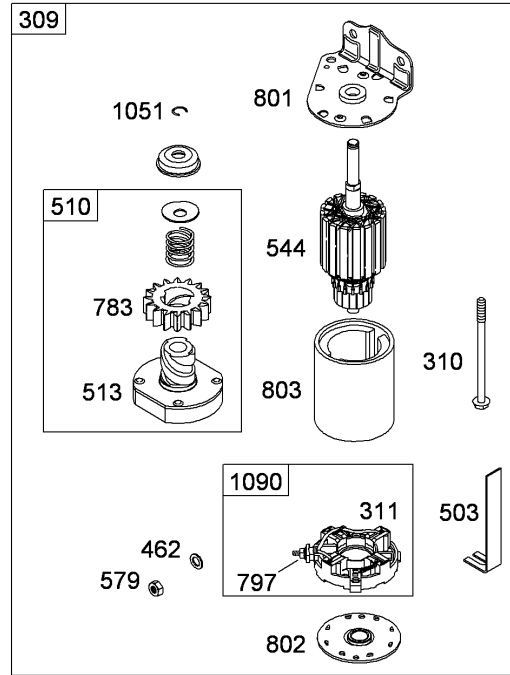
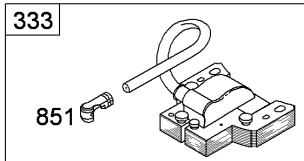
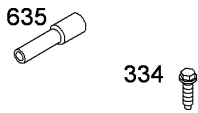
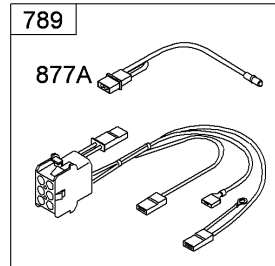
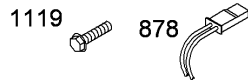
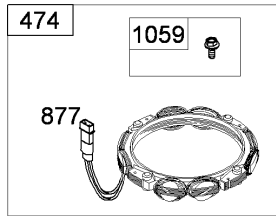


Assemblies include all parts shown in frames

Carburetor and Fuel Pump Assembly Briggs and Stratton 331777-0946-B2

Ref	Part No.	Qty.	Description
1 2 51	692137	1	Gasket-Intake
3 4			
1 53	690227	1	Stud (Carburetor)
1 94	793610	1	Idle Mixture Kit
1 2 95	690718	1	Screw (Throttle Valve)
1 98	695408	1	Idle Speed Kit
1 2 104	694918	1	Pin-Hinge, Float
1 2 105	696136	1	Valve-Float, Needle
1 108	695419	1	Valve-Choke
1 117	791501	1	Jet-Main (Standard)
1 118	843099	1	Jet-Main (High Altitude)
1 125	794136	1	Carburetor
1 2 127	690727	1	Plug-Welch
1 130	792747	1	Valve-Throttle
1 131	792765	1	Throttle Shaft Kit
1 133	694914	1	Carburetor Float ASM
1 135	698780	1	Fuel Transfer Tube ASM
1 2 137	698781	1	Gasket-Bowl, Float
1 141	792777	1	Choke Shaft Kit
1 187	791805	1	Line-Fuel (Formed) (Cut To Required Length)
1 2 217	695409	1	Spring-Return, Choke
1 240	394358s	1	Filter-Fuel
1 276	695410	1	Washer-Sealing

Ref	Part No.	Qty.	Description
1 305B	795891	1	Screw (Blower Housing) (Blower Housing To Intake Elbow)
1 431	794145	1	Elbow-Intake
1 601	791850	1	Clamp-Hose
1 634	698779	1	Spring And Seal ASM (Choke Shaft)
1 654	690958	1	Nut (Carburetor)
1 947	699915	1	Solenoid, Fuel
1 975	699502	1	Bowl-Float
1 2 987	698777	1	Seal-Shaft, Throttle
1 1091	691333	1	Cap-Limiter
1 1127	695407	1	Screw (Float Bowl)
1 2 1266	691917	1	Seal-O Ring (Intake Elbow) (Red)
3			

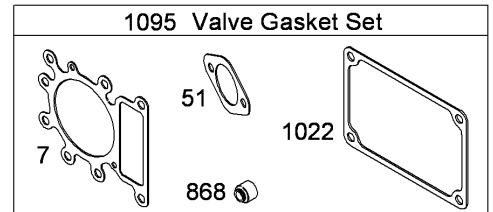
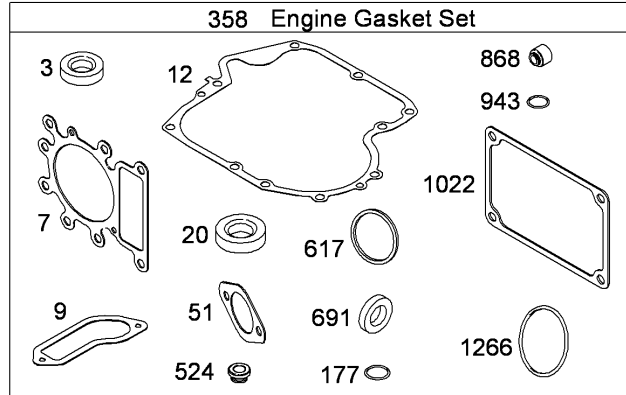
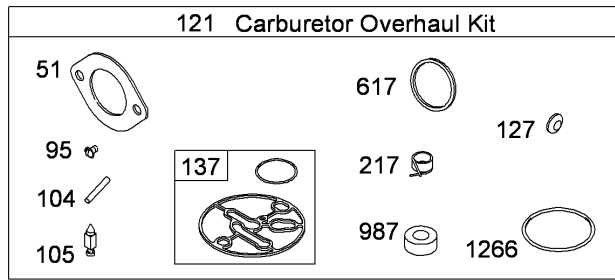


Assemblies include all parts shown in frames

Electric Starter and Alternator Assembly Briggs and Stratton 331777-0946-B2

Ref	Part No.	Qty.	Description
●309	693551	1	Motor-Starter
●310	690323	1	Screw (Starter Motor)
●311	497608	1	Brush Set
●333	795315	1	Armature-Magneto
●334	691061	1	Screw (Magneto Armature)
●462	691261	1	Washer (Starter Cable)
●474	696459	1	Alternator
●503	691532	1	Strap-Starter
●510	693699	1	Drive-Starter
●513	692024	1	Clutch-Drive
●544	692034	1	Armature-Starter
●579	691029	1	Nut (Starter Cable)
●635	691909	1	Boot-Spark Plug
●697	690372	1	Screw (Drive Cap)
●729	691224	1	Clip-Wire
●783	693713	1	Gear-Pinion
●789	698330	1	Harness-Wiring
●797	693167	1	Nut (Brush Retainer)
●801	691283	1	Cap-Drive
●802	691286	1	Cap-End
●803		1	Housing-Starter (Serviced By Ref 309, 693551-Starter Motor)
●851	692424	1	Terminal-Spark Plug
●877	393456	1	Wire-Connector / Alternator

Ref	Part No.	Qty.	Description
●877A	790544	1	Harness-Wiring
●878	398661	1	Harness-Alternator
●1051	691265	1	Ring-Retainer (Starter Motor)
●1054	280275	1	Tie-Cable
●1059	698516	1	Screw And Washer Kit
●1090	691293	1	Retainer-Brush
●1119	691183	1	Screw (Alternator)



Assemblies include all parts shown in frames

Engine Gasket and Carburetor Overhaul Kit Briggs and Stratton 331777-0946-B2

Ref	Part No.	Qty.	Description
1 33	391086s	1	Seal-Oil (Magneto Side)
1 37	794114	1	Gasket-Head, Cylinder
4			
1 39	697109	1	Gasket-Breather
1 312	697110	1	Gasket-Crankcase
1 20	795387	1	Seal-Oil (PTO Side)
1 251	692137	1	Gasket-Intake
3 4			
1 295	690718	1	Screw (Throttle Valve)
1 2104	694918	1	Pin-Hinge, Float
1 2105	696136	1	Valve-Float, Needle
1 121	792369	1	Carburetor Overhaul Kit
1 2127	690727	1	Plug-Welch
1 2137	698781	1	Gasket-Bowl, Float
1 3177	691031	1	Seal-O Ring (Dipstick Tube)
1 2217	695409	1	Spring-Return, Choke
1 358	794150	1	Engine Gasket Set
1 3524	691032	1	Seal-O Ring (Dipstick Tube)
1 2617	692138	1	Seal-O Ring (Intake Manifold) (Red)
3			
1 3691	692407	1	Seal-Shaft, Governor
1 3868	690968	1	Seal-Valve
4			
1 3943	690589	1	Seal-O Ring (Oil Pump Cover)
1 2987	698777	1	Seal-Shaft, Throttle

Ref	Part No.	Qty.	Description
1 31022	272475s	1	Gasket-Cover, Rocker
4			
1 1095	794158	1	Valve Gasket Set
1 21266	691917	1	Seal-O Ring (Intake Elbow) (Red)
3			

Attachments and Accessories

For 13AL60RG544 - LX426 Lawn Tractor

Product Name	Model/Part
Washout Port Kit	112-5803
Blade Kit, Extreme (42 Inch)	112-6048
42 Inch Two-Stage Snowthrower	190-032-101
42 Inch Twin Bagger	190-180-190
46 Inch Front Blade	190-833-000
8 Inch Rear Wheel Weight Kit	59159
Mulch Kit (42 Inch Deck)	77210
10 cu. ft. Dump Cart	79901
10 cu. ft. Poly Dump Cart	79935
Folding Loading Ramp	79949
Sweeper	79985
Tire Chain Kit	82722
Blade Kit (2 Blades, 42 Inch Decks)	98022

Attachments and Accessories

For 13RL60RG544 - LX426 Lawn Tractor

Product Name	Model/Part
Washout Port Kit	112-5803
Blade Kit, Extreme (42 Inch)	112-6048
42 Inch Two-Stage Snowthrower	190-032-101
42 Inch Twin Bagger	190-180-190
46 Inch Front Blade	190-833-000
8 Inch Rear Wheel Weight Kit	59159
Mulch Kit (42 Inch Deck)	77210
10 cu. ft. Dump Cart	79901
10 cu. ft. Poly Dump Cart	79935
Folding Loading Ramp	79949
Sweeper	79985
Tire Chain Kit	82722
Blade Kit (2 Blades, 42 Inch Decks)	98022

NOTES

NOTES

NOTES

