



## 22in Recycler<sup>®</sup> Lawn Mower

Model No. 20068 - 280000001 and up.

### Parts Catalog

---

#### **Ordering Replacement Parts**

To order replacement parts, please supply the part number, the quantity, and the description of each part desired.

#### **Understanding Reference Numbers**

Each identified part in an illustration has a reference number. The reference number for a part also appears in the parts list, along with other information about the part.

This catalog uses two special reference number formats, one to indicate parts in a service assembly and another to indicate the quantity of a given part in an illustration.

#### **Service Assembly Reference Numbers**

Parts in service assemblies have reference numbers in the form a:b. The a represents the reference number of the entire service assembly and the b represents a sequential number unique to each part within the service assembly.

For example, a wheel assembly might be identified by reference number 6, the tire by 6:1, the valve by 6:2, and the wheel by 6:3. When you order the assembly identified by reference number 6, you receive all parts identified by reference numbers 6:1, 6:2, and 6:3. However, you may also order any part individually. Reference numbers of this type appear in illustrations and in part lists.

#### **Reference Numbers Indicating Quantity**

In an illustration, if a reference number indicates more than one part, the reference number has the form nX y. The n represents the quantity of the part, the X is the multiplication symbol, and the y represents the reference number.

For example, in an illustration, the reference number 2X 37 means that two of the parts identified by reference number 37 are indicated.

# Contents

Description	Page	Description	Page
Deck, Side Chute and Rear Door Assembly	3	Air Cleaner Assembly Briggs and Stratton 126T05-0222-B1	15
Front Axle Assembly	4	Governor Assembly Briggs and Stratton 126T05-0222-B1	16
Rear Axle and Transmission Assembly	5	Muffler and Fuel Tank Assembly Briggs and Stratton 126T05-0222-B1	17
Transmission Assembly No. 106-3956	6	Blower Housing Assembly Briggs and Stratton 126T05-0222-B1	18
Handle Assembly	7	Starter Assembly Briggs and Stratton 126T05- 0222-B1	19
Electrical Assembly	8	Electric Starter Assembly Briggs and Stratton 126T05-0222-B1	20
Rear Bag Assembly	9	Engine Gasket Set Briggs and Stratton 126T05-0222-B1	21
Engine Assembly	10	Carburetor Overhaul Kit Briggs and Stratton 126T05-0222-B1	22
Cylinder Assembly Briggs and Stratton 126T05-0222-B1	11	Attachments and Accessories List	23
Crankshaft Assembly Briggs and Stratton 126T05-0222-B1	12		
Crankcase Assembly Briggs and Stratton 126T05-0222-B1	13		
Carburetor Assembly Briggs and Stratton 126T05-0222-B1	14		

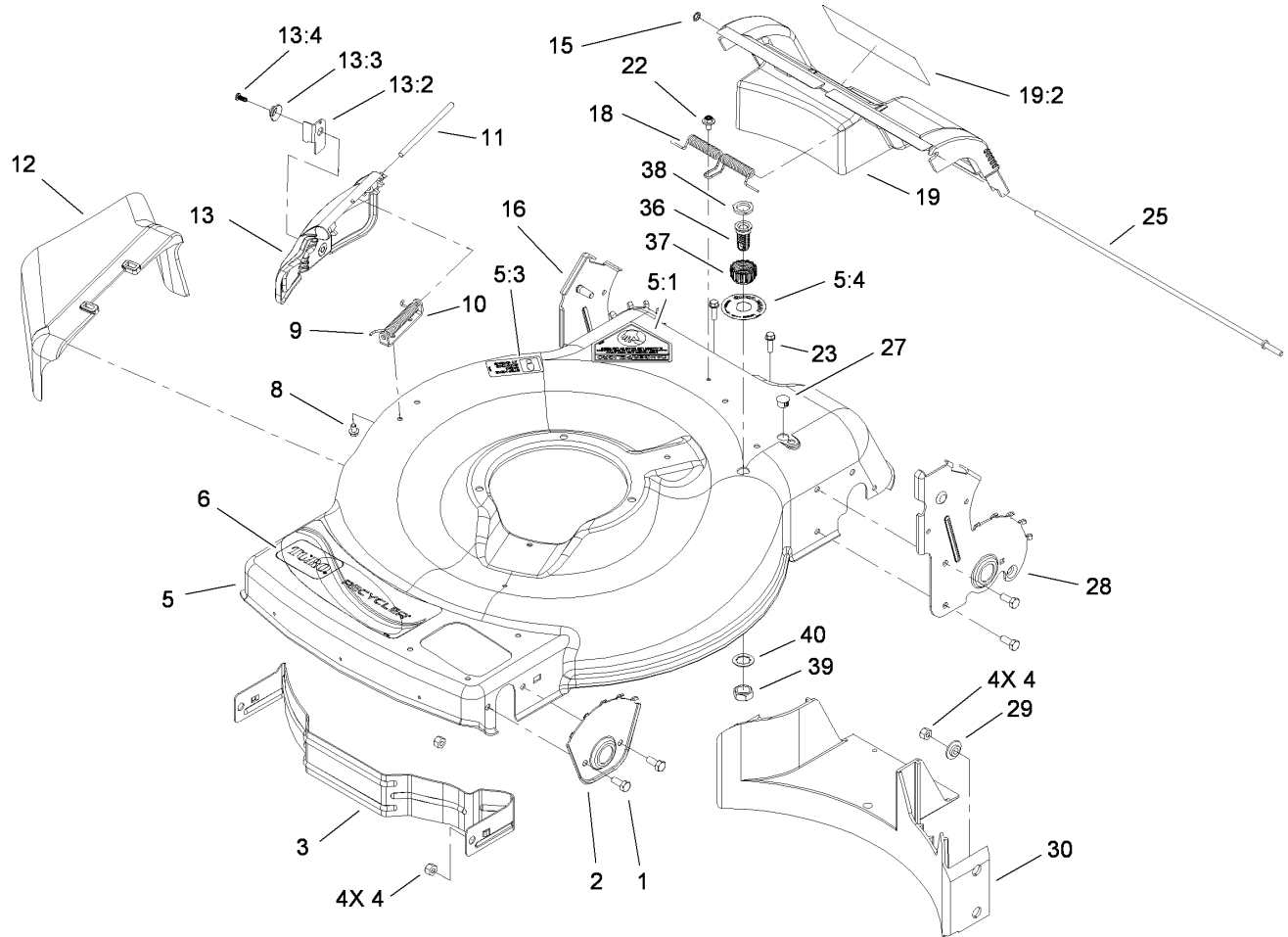
## Part Description Abbreviations

Part descriptions in this catalog may include the following abbreviations.

AR. .... as required	HYD. .... hydraulic
ASM. .... assembly	LH. .... left hand
BBC. .... blade brake clutch	NI. .... nylon insert
CARR. .... carriage	NPTF. .... national pipe thread fine
DEG. .... degrees	PFH. .... phillips flat head
EXT. .... external	PPH. .... phillips pan head
FH. .... flat head	PPHTF. .... phillips pan head thread forming
GA. .... gauge	PRH. .... phillips round head
HD. .... heavy-duty	PTH. .... phillips truss head
HF. .... hex flange	PTO. .... power-take-off
HH. .... hex head	RH. .... right hand
HHF. .... hex head flange	ROPS. .... roll-over protection system
HHFTF. .... hex head flange thread forming	SFH. .... slotted fillister head
HJ. .... hex jam	SHH. .... slotted hex head
HLH. .... hex lag head	SHWH. .... slotted hex washer head
HOC. .... height-of-cut	SPH. .... slotted pan head
HSBH. .... hex socket button head	SQH. .... square head
HSFH. .... hex socket flat head	SRH. .... slotted round head
HSH. .... hex socket head	STD. .... standard
HWH. .... hex washer head	TAP. .... self tapping
HWHTF. .... hex washer head thread forming	TTH. .... torx truss head

## Footnotes

- |   |  |
|---|--|
| ❶ Not illustrated                                 | ❷ Not serviced separately                            |
| ❸ Obtain from your local Briggs & Stratton dealer | ❹ Included in Carburetor Overhaul Kit (Ref. No. 121) |
| ❺ Included in Engine Gasket Set (Ref. No. 358)    | ❻ Included in Carburetor Gasket Set (Ref. No. 977)   |

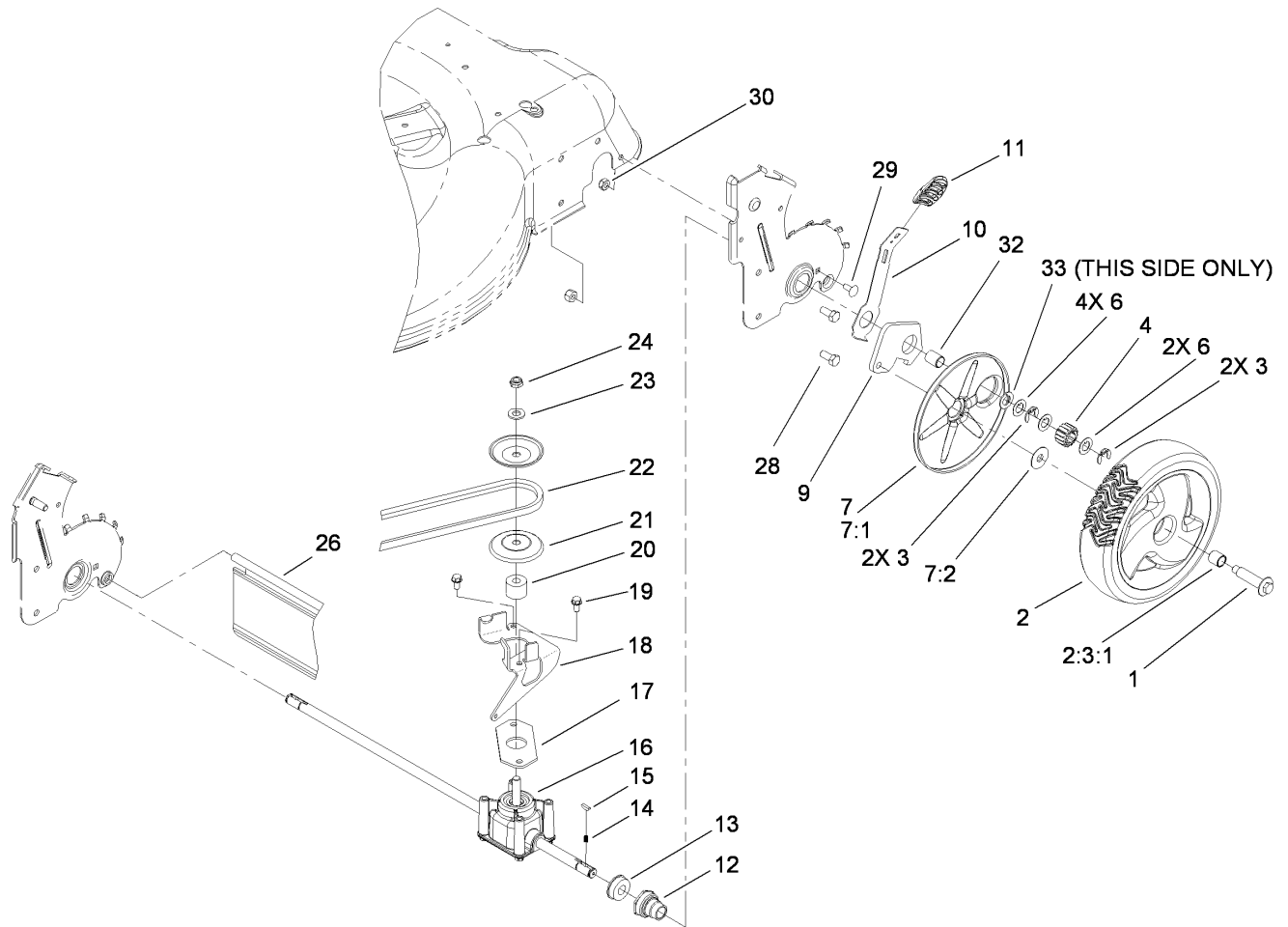


## Deck, Side Chute and Rear Door Assembly

Ref	Part No.	Qty.	Description
1	322-3	4	Screw-HH
2	105-1808-03	2	Plate-HOC, Front
3	104-8694-03	1	Baffle-Front
4	3296-29	8	Nut-Lock, NI
5	112-8854	1	BBC Housing ASM
5:1	94-8072	1	Decal-Danger
5:3	108-8117	1	Decal
5:4	112-8867	1	Decal
6	114-0321	1	Decal
8	99-8445	2	Screw-HWH
9	99-5293	1	Spring-Torsion
10	112-6416	1	Bracket-Cover
11	99-5291	1	Rod-Cover
12	105-3028	1	Chute-Discharge, Side
13	106-8376	1	Discharge Door ASM
13:2	107-0795	1	Latch-Door
13:3	107-7456	1	Cap-Door
13:4	107-7461	1	Screw-Plastite
15	32112-6	1	Nut-Push
16	112-6441	1	8 Inch RH HOC Plate ASM
18	105-3032	1	Spring-Door, Rear
19	112-8864	1	Rear Door ASM
19:2	112-8759	1	Decal-Warning
22	46-6810	1	Screw And Washer ASM

Ref	Part No.	Qty.	Description
23	46-8091	2	Screw-HWH
25	105-1827	1	Rod-Pivot, Rear Door
27	104-9369	1	Plug-Dome
28	112-6443	1	8 Inch LH HOC Plate ASM
29	105-3006	4	Washer-Stepped
30	105-1834	1	Baffle-Rear
36	112-6400	1	Port-Washout
37	112-6401	1	Coupling-Hose, Washout Port
38	112-6438	1	Washer-Seal, Washout Port
39	3218-6	1	Nut-Jam
40	3254-5	1	Washer-Tooth



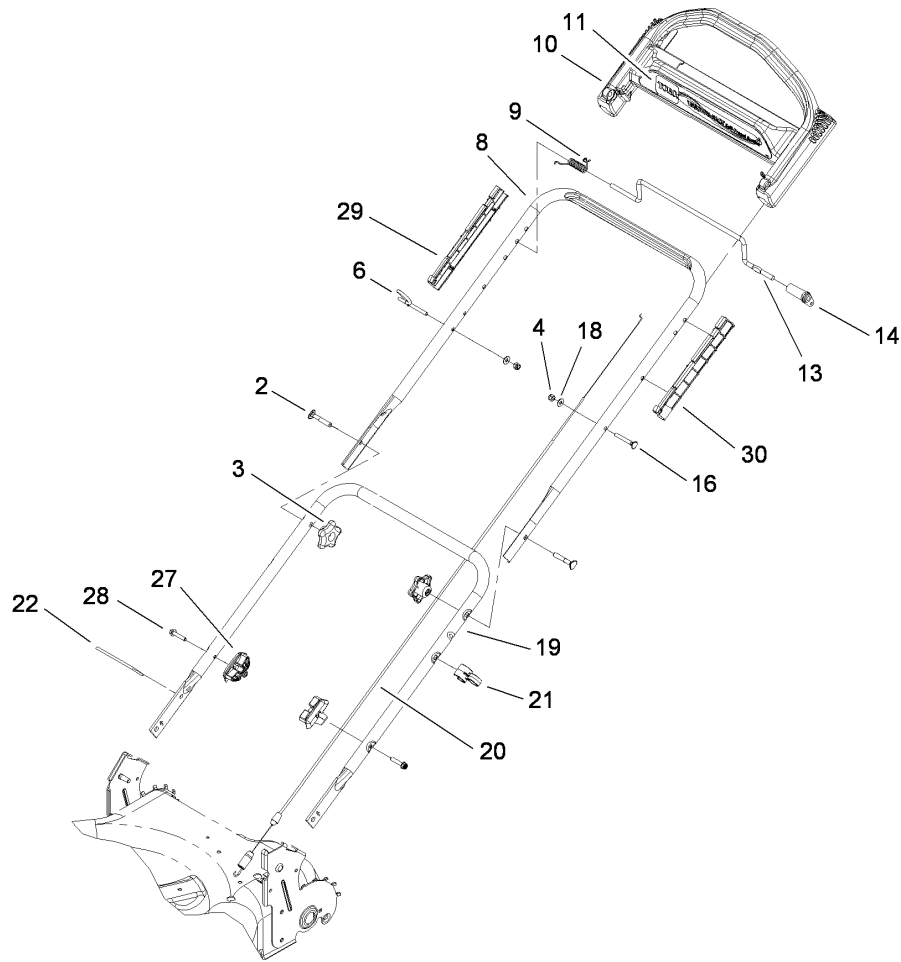


## Rear Axle and Transmission Assembly

Ref	Part No.	Qty.	Description
1	614650	2	Bolt-Shoulder
2	105-3036	2	Wheel Gear ASM
1 2:3		1	Wheel ASM
2:3:1	27-6250	2	Bushing
3	65-2720	4	Ring-Clip, Locking
4	105-3040	2	Gear-Pinion, 15T
6	105-6840	6	Washer-Thrust
7	110-1792	2	Wheel Cover ASM
2 7:1		1	Cover-Wheel
7:2	614426	1	Washer-Stepped
9	108-9781	2	Arm-Pivot, Rear
10	108-9780	2	Arm-Spring
11	105-3042	2	Knob-Lever, HOC
12	108-9779	2	Retainer-Bushing, HOC
13	104-8699	2	Bearing-Ball
14	39-9650	2	Spring-Compression
15	612066	2	Key
16	106-3956	1	Transmission ASM
17	108-9756	1	Gasket-Gearbox
18	106-6809-03	1	Bracket-Pivot
19	32144-4	2	Screw-HWH
20	92-5791	1	Spacer
21	100-1176	2	Pulley-Half
22	91-2258	1	V-Belt

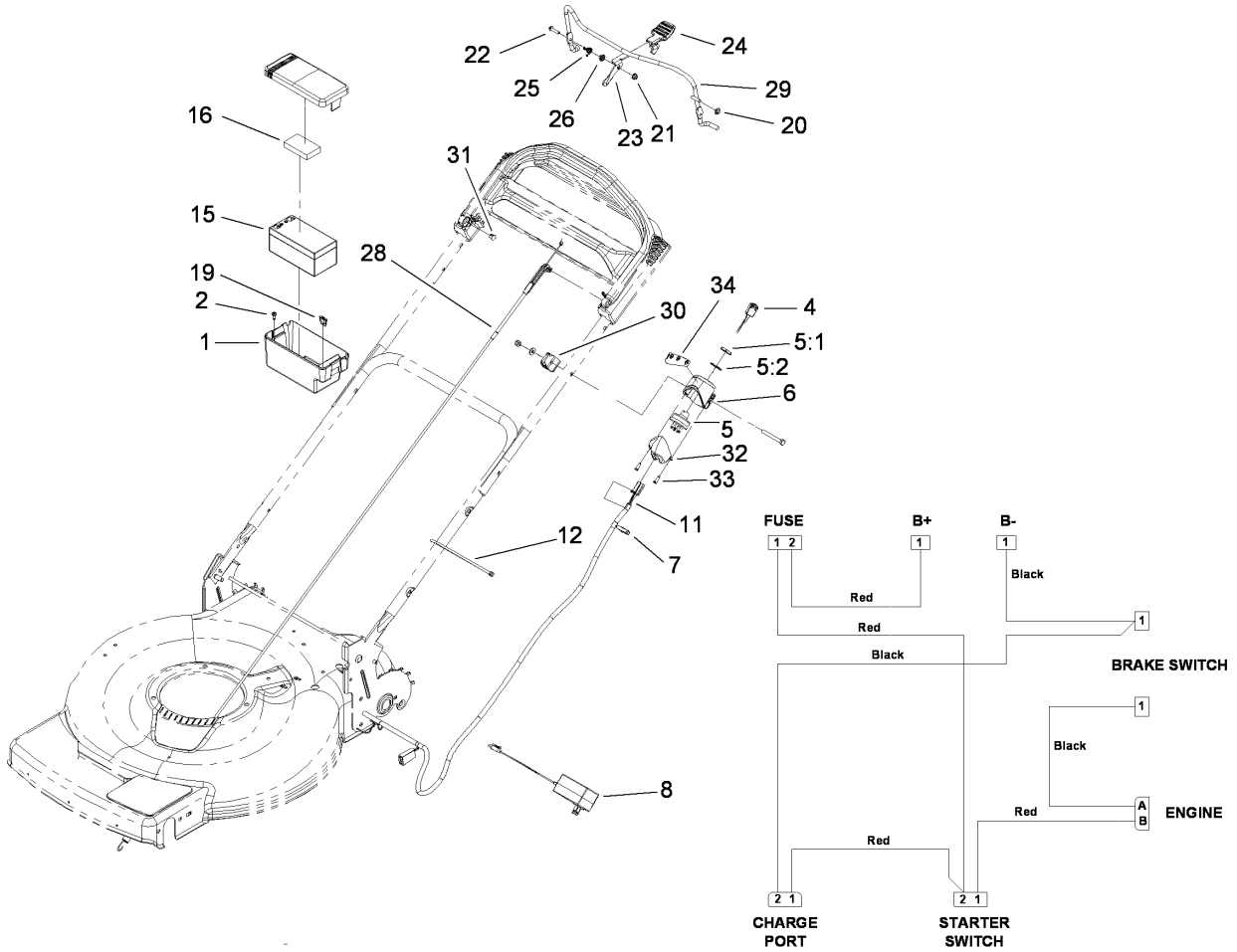
Ref	Part No.	Qty.	Description
23	3256-24	1	Washer-Flat
24	3296-5	1	Nut-Lock
26	114-1585	1	Shield-Trailing
28	322-4	4	Screw-HH
29	3229-11	2	Screw-CARR
30	3296-16	2	Nut-Lock, NI
32	108-9782	2	Bushing-Sleeve
33	110-7191	1	Washer-Thrust





## Handle Assembly

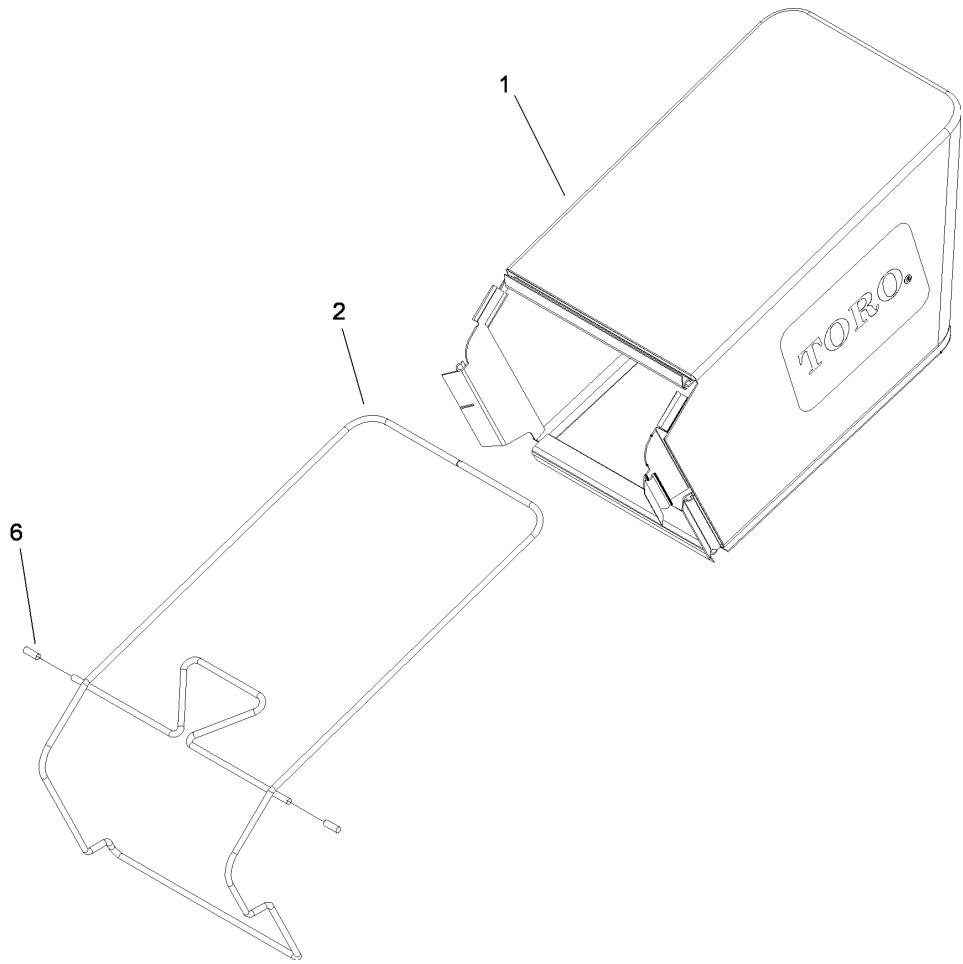
Ref	Part No.	Qty.	Description
2	112-8876	2	Screw-Handle
3	108-8162	2	Knob-Locking
4	3296-73	2	Nut-Lock, NI
6	86-9671	1	Guide-Rope
8	104-8680-05	1	Handle-Upper
9	104-8690	1	Spring-Torsion
10	104-8678	1	Handle-Control
11	114-0338	1	Decal
13	99-1588	1	Bar-Control, Traction
14	99-1589	1	Lever-Traction
16	321-50	1	Screw-HH
18	3256-1	1	Washer-Flat
19	112-6440-05	1	Handle-Lower
20	105-1844	1	Cable-Traction
21	106-6805	1	Guide-Cable
22	614249	1	Strap-Tie
27	108-9788	2	Anchor-Bag
28	32144-110	2	Screw-HWH
29	105-6841	1	Guide-RH
30	105-6842	1	Guide-LH

## Electrical Assembly

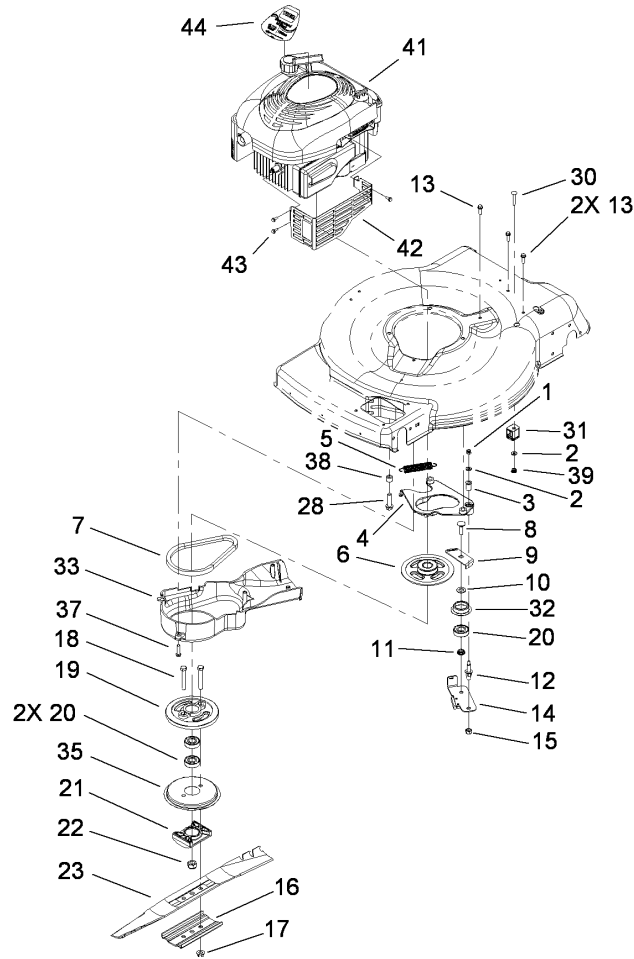
Ref	Part No.	Qty.	Description
1	108-4844	1	Battery Box ASM
2	105-6849	2	Screw-Thread Forming
4	700918	1	Key
5	23-0660	1	Switch-Starter
5:1	218-461	1	Nut-HH
5:2	3254-5	1	Washer-Tooth
6	108-3795	1	Housing-Key Switch
7	114-7919	1	Harness-Wire,
8	104-7401	1	Charger-12 Volt
11	104-7953	1	Decal-Harness
12	614249	3	Strap-Tie
15	106-8397	1	Battery-12 Volt
16	107-3774	1	Foam-Battery, Top
19	99-6124	2	Fuse-40 Amp
20	3290-337	1	Nut-Speed
21	32128-17	1	Nut-Lock, Flange
22	106-9169	1	Screw
23	106-6802	1	Lever
24	112-8884	1	Knob-BBC
25	107-7462	1	Spring-Torsion
26	107-7463	1	Spacer
28	107-0799	1	Cable ASM
29	108-3788	1	Bail-Brake
30	92-7729	1	Anchor-Cable, Upper

Ref	Part No.	Qty.	Description
31	104-9368	1	Plug-Dome
32	108-3796	1	Cvr-Switch M04
33	32144-111	2	Screw-PPH
34	108-9751	1	Decal-Switch, Ignition



### Rear Bag Assembly

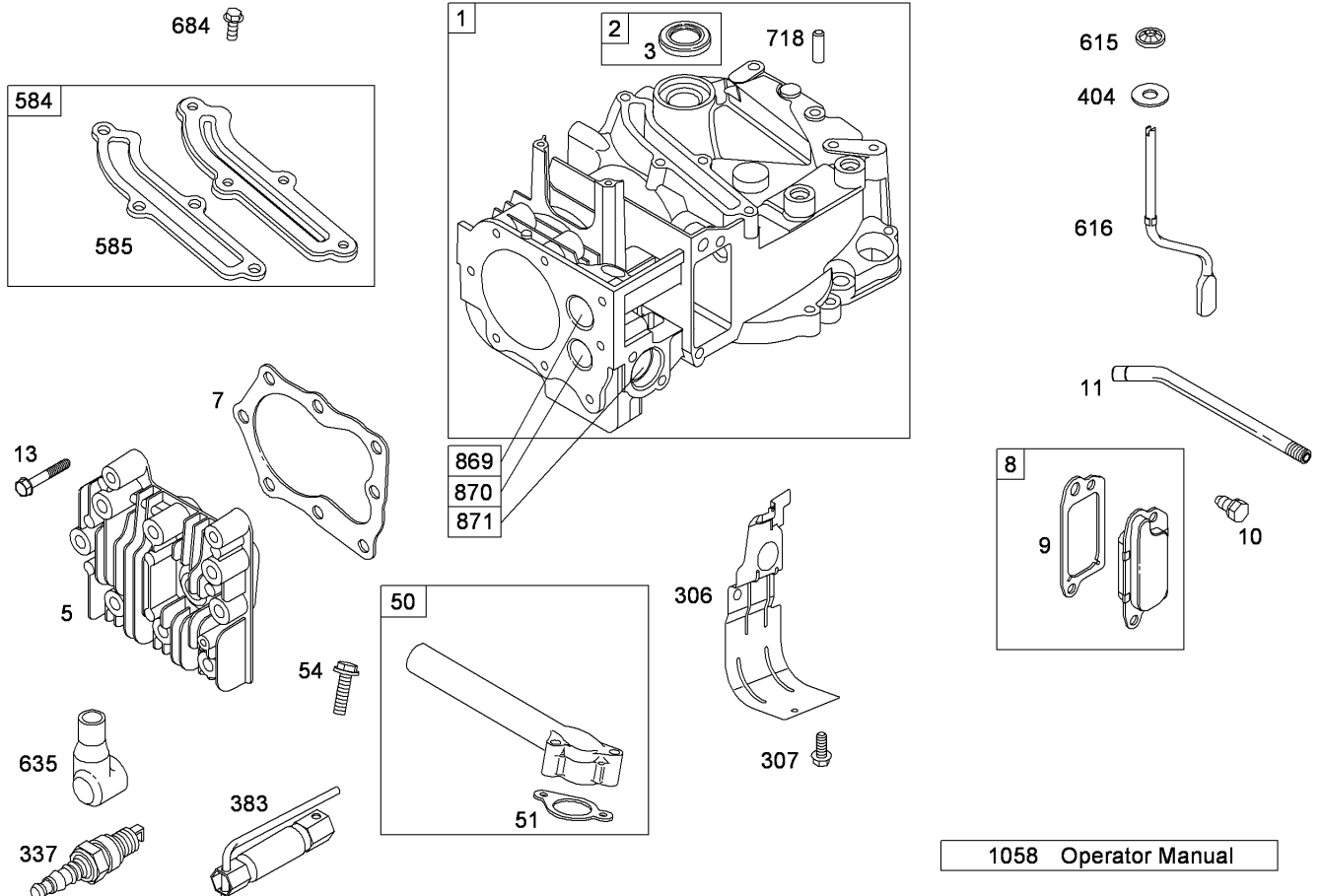
Ref	Part No.	Qty.	Description
1	108-9792	1	Grass Bag ASM
2	108-9785-03	1	Frame-Bag
6	112-6439	2	Cap-End



## Engine Assembly

Ref	Part No.	Qty.	Description
1	3296-73	1	Nut-Lock, NI
2	3256-16	2	Washer-Flat
3	107-0797	1	Bushing
4	108-9341	1	Plate-Anchor
5	108-3792	1	Spring-Tension, Brake
6	110-7456	1	Pulley
7	110-1790	1	Belt-BBC
8	3231-25	1	Screw-CARR
9	107-7471	1	Plate-Guide
10	605256	1	Washer
11	107-0758	1	Spacer-Bearing
12	107-0759	1	Bolt-Shoulder
13	46-8091	3	Screw-HWH
14	107-7477	1	Brake Arm ASM
15	603773	2	Nut
16	108-3766-03	1	Support-Blade
17	54-9190	2	Nut-Lock
18	3211-42	2	Screw-HH
19	107-0754	1	Drum
20	100-1048	3	Bearing-Ball
21	107-7487	1	Support-Blade
22	108-9342	1	Nut-Hex
23	108-9764-03	1	Blade-22 Inch
28	32144-102	3	Screw-HWH

Ref	Part No.	Qty.	Description
30	3229-4	1	Screw-CARR
31	106-6801	1	Anchor-Cable, BBC
32	108-3790	1	Retainer-Belt
33	107-0798	1	Cover-BBC
35	108-3787	1	Disc
37	46-8092	1	Screw-Plastite
38	100-6447	1	Tube-Spacer
39	3296-56	1	Nut-Lock, NI
41		1	Engine-Briggs And Stratton, 126T05-0222-B1
42	104-7577-03	1	Shield-Muffler
43	32144-1	3	Screw-Taptite
44	114-0339	1	Decal-Engine



Assemblies include all parts shown in frames

# Cylinder Assembly

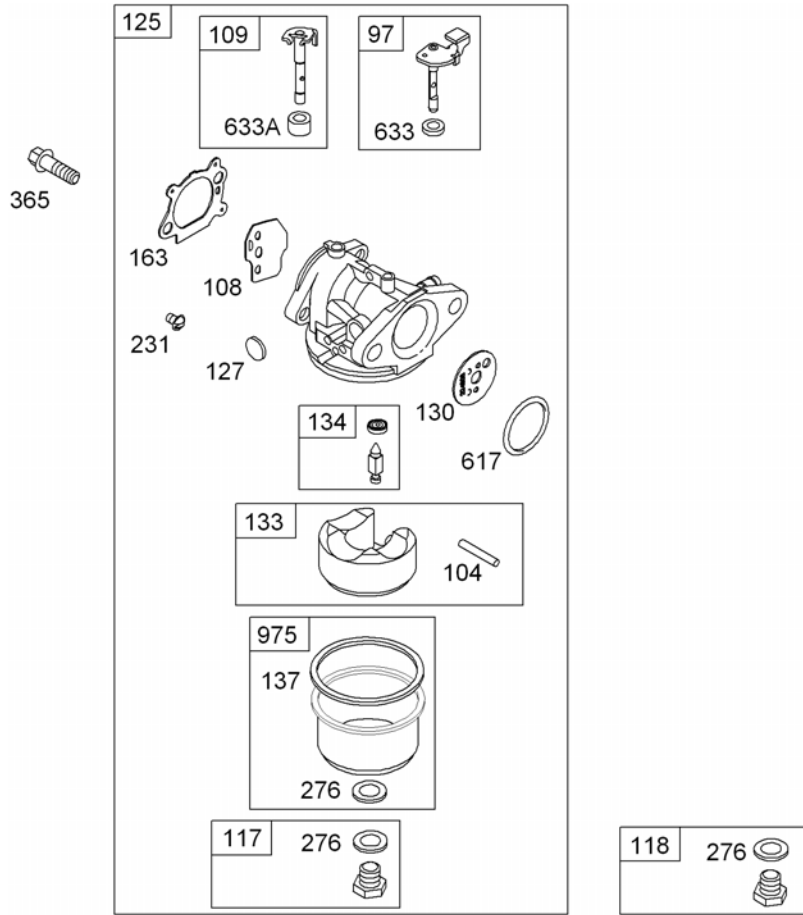
## Briggs and Stratton 126T05-0222-B1

Ref	Part No.	Qty.	Description
1	697322	1	Cylinder ASM
2	399269	1	Bushing And Seal Kit
3	299819s	1	Seal-Oil (Magneto Side)
5	691160	1	Head-Cylinder
7	692249	1	Gasket-Head, Cylinder
8	695250	1	Breather ASM
9	696125	1	Gasket-Breather
10	691125	1	Screw (Breather ASM)
11	691781	1	Tube-Breather
13	690912	1	Screw (Cylinder Head)
50	794305	1	Manifold-Intake
51	794306	1	Gasket-Intake
54	691650	1	Screw (Intake Manifold)
306	790836	1	Shield-Cylinder
307	690345	1	Screw (Cylinder Shield)
337	802592s	1	Plug-Spark
383	89838s	1	Wrench-Spark Plug
404	690272	1	Washer (Governor Crank)
584	697734	1	Cover-Passage, Breather
585	691879	1	Gasket-Passage, Breather
615	690340	1	Retainer-Shaft, Governor
616	698801	1	Crank-Governor
635	66538s	1	Boot-Spark Plug
684	690345	1	Screw (Breather Passage Cover)

Ref	Part No.	Qty.	Description
718	690959	1	Pin-Locating
869	691155	1	Seat-Valve (Intake)
870	690380	1	Seat-Valve (Exhaust)
871	262001	1	Bushing-Guide (Exhaust)
871	63709	1	Bushing-Guide (Intake)
1058	277039TRI	1	Operator Manual





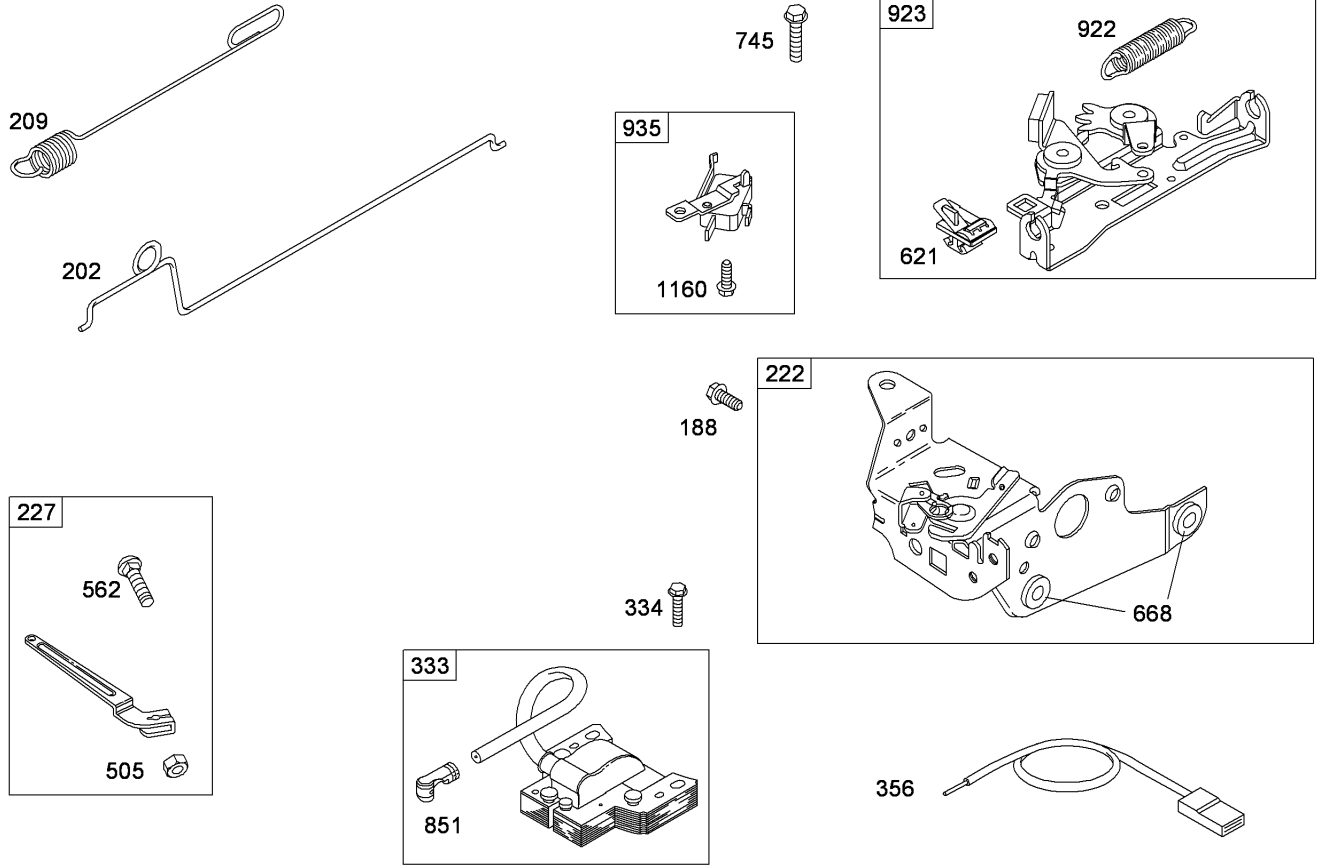


Assemblies include all parts shown in frames

## Carburetor Assembly Briggs and Stratton 126T05-0222-B1

Ref	Part No.	Qty.	Description
③ 97	696565	1	Shaft-Throttle
③ ④ 104	691242	1	Pin-Hinge, Float
③ 108	790844	1	Valve-Choke
③ 109	790843	1	Shaft-Choke
③ 117	691428	1	Jet-Main (Standard)
③ 118	498977	1	Jet-Main (High Altitude)
③ 125	794304	1	Carburetor
③ ④ 127	694468	1	Plug-Welch
③ 130	696564	1	Valve-Throttle
③ 133	398187	1	Float-Carburetor
③ ④ 134	398188	1	Needle And Seat Kit
③ ④ 137	693981	1	Gasket-Bowl, Float
⑤			
③ ④ 163	272653s	1	Gasket-Cleaner, Air
⑤ ⑥			
③ 231	691636	1	Screw (Choke Valve)
③ ④ 276	271716	1	Washer-Sealing
⑤			
③ 365	692524	1	Screw (Carburetor)
③ ④ 617	270344s	1	Seal-O Ring (Intake Manifold)
⑤			
③ ④ 633	691321	1	Seal-Shaft, Choke Throttle
⑤			
③ ④ 633A	693867	1	Seal-Shaft, Choke Throttle
⑤			
③ 975	493640	1	Bowl-Float



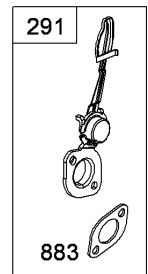
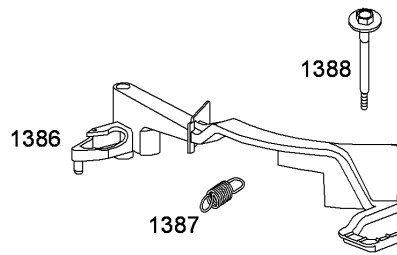
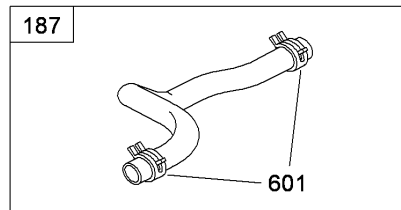
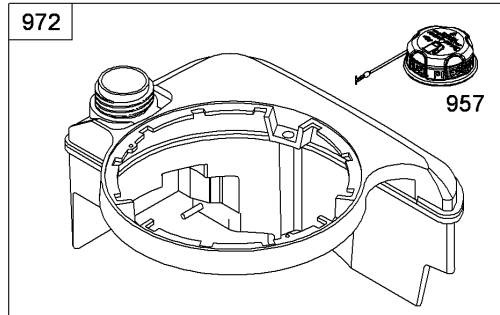
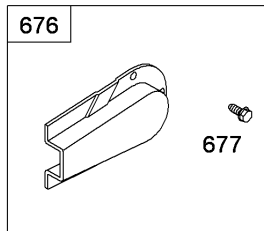
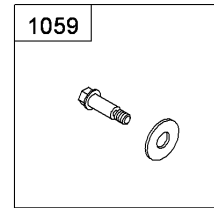
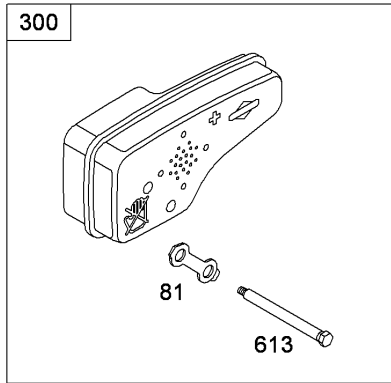



Assemblies include all parts shown in frames

## Governor Assembly Briggs and Stratton 126T05-0222-B1

Ref	Part No.	Qty.	Description
① 188	693399	1	Screw (Control Bracket)
② 202	691829	1	Link-Governor, Mechanical
③ 209	691292	1	Spring-Governor
④ 222	793754	1	Bracket-Control
⑤ 227	690783	1	Lever-Control, Governor
⑥ 333	802574	1	Armature-Magneto
⑦ 334	691061	1	Screw (Magneto Armature)
⑧ 356	690791	1	Wire-Stop
⑨ 505	691251	1	Nut (Governor Control Lever)
⑩ 562	691119	1	Bolt (Governor Control Lever)
⑪ 621	692310	1	Switch-Stop
⑫ 668	493823	1	Spacer
⑬ 745	691648	1	Screw (Brake)
⑭ 851	493880s	1	Terminal-Spark Plug
⑮ 922	691831	1	Spring-Brake
⑯ 923	691994	1	Brake ASM
⑰ 935	499421	1	Switch-Interlock
⑱ 1160	691627	1	Screw (Interlock Switch)

--	--	--	--

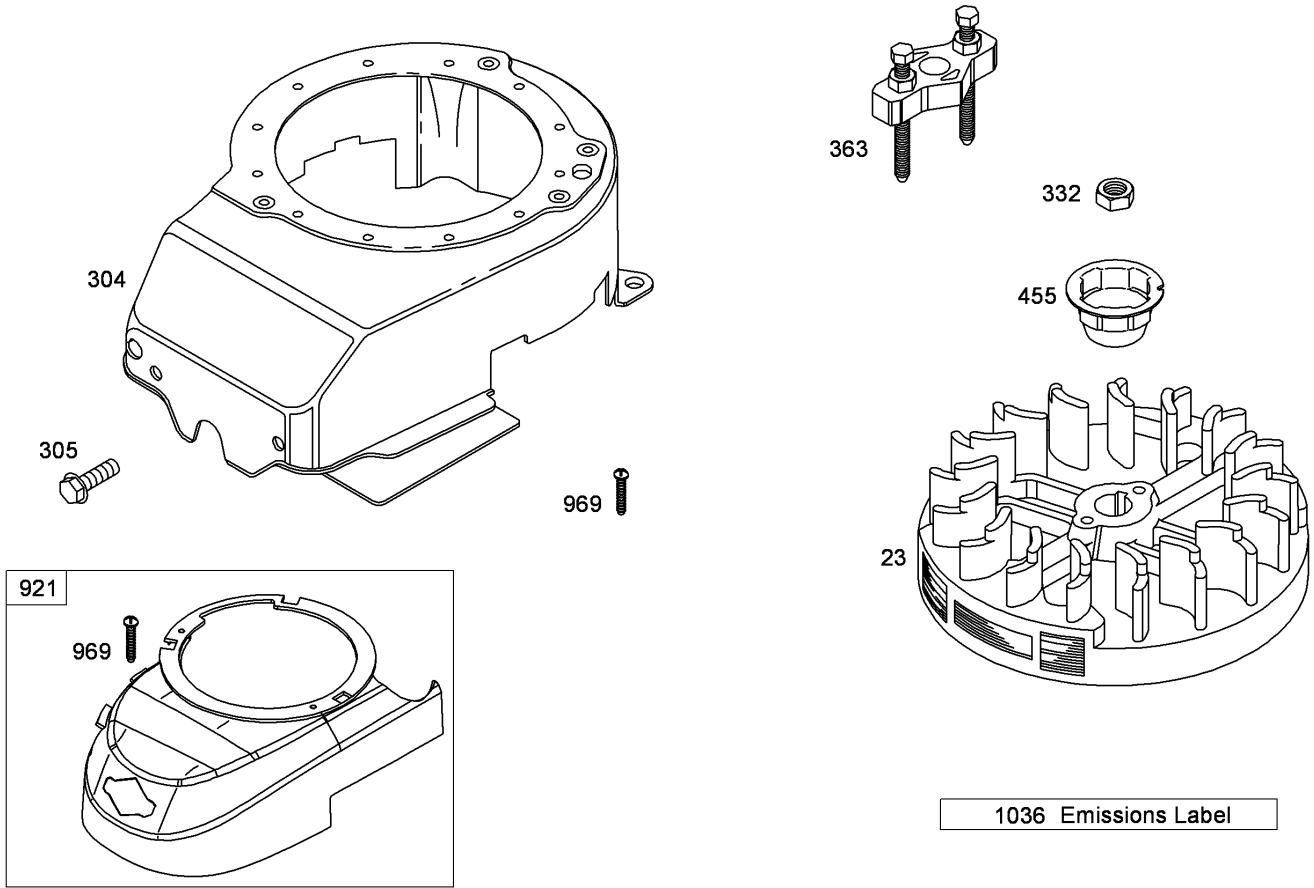


Assemblies include all parts shown in frames

## Muffler and Fuel Tank Assembly Briggs and Stratton 126T05-0222-B1

Ref	Part No.	Qty.	Description
81	691740	1	Lock-Screw, Muffler
187	791873	1	Line-Fuel (Molded) (Cut To Required Length)
190	690940	1	Screw (Fuel Tank)
291	790830	1	Thermostat
300	692038	1	Muffler
601	791850	1	Clamp-Hose
613	691340	1	Screw (Muffler)
670	692294	1	Spacer-Tank, Fuel
676	493871	1	Deflector-Muffler
677	690661	1	Screw (Muffler Deflector)
883	691881	1	Gasket-Exhaust
957	699985	1	Cap-Tank, Fuel
972	699374	1	Tank-Fuel
1059	692311	1	Screw And Washer Kit
1386	790848	1	Vane-Air
1387	790849	1	Spring-Vane, Air
1388	790850	1	Screw (Air Vane)

--	--	--	--

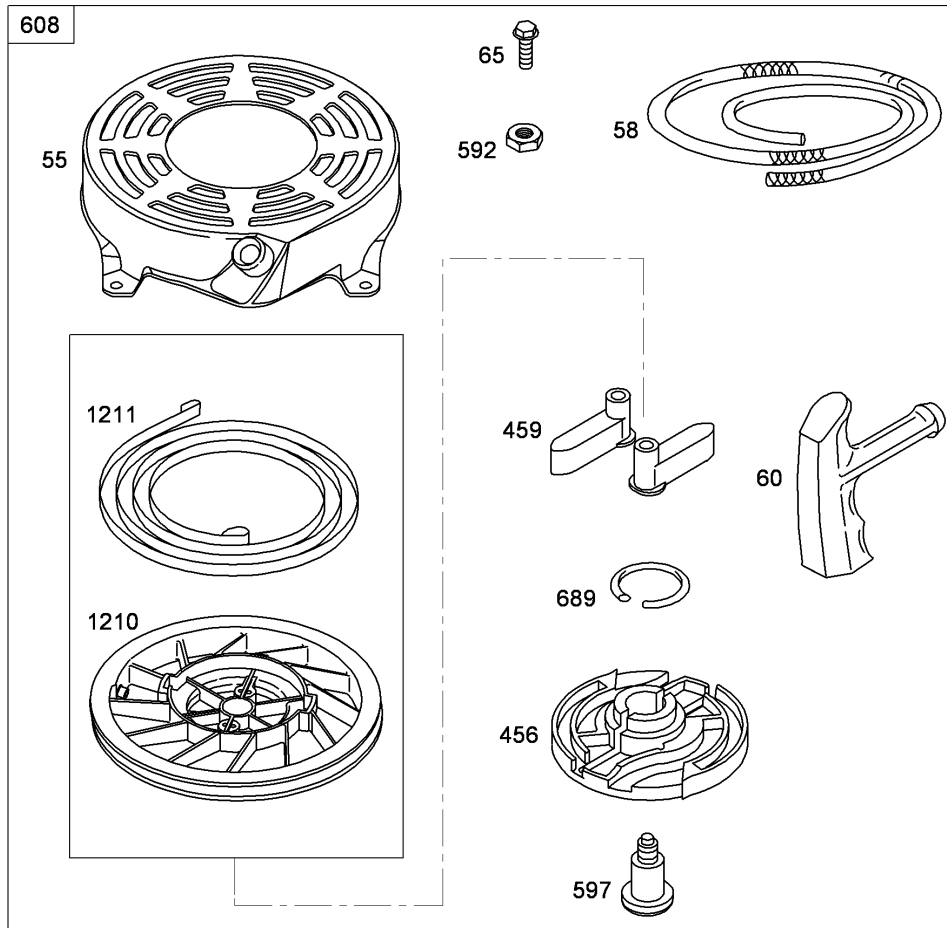


Assemblies include all parts shown in frames

## Blower Housing Assembly Briggs and Stratton 126T05-0222-B1

Ref	Part No.	Qty.	Description
23	691987	1	Flywheel
304	791291	1	Housing-Blower
305	691108	1	Screw (Blower Housing)
332	690662	1	Nut (Flywheel)
363	19069	1	Puller-Flywheel
455	791760	1	Cup-Flywheel
921	790036	1	Cover-Housing, Blower
969	691138	1	Screw (Blower Housing Cover)
1036		1	Label-Emissions

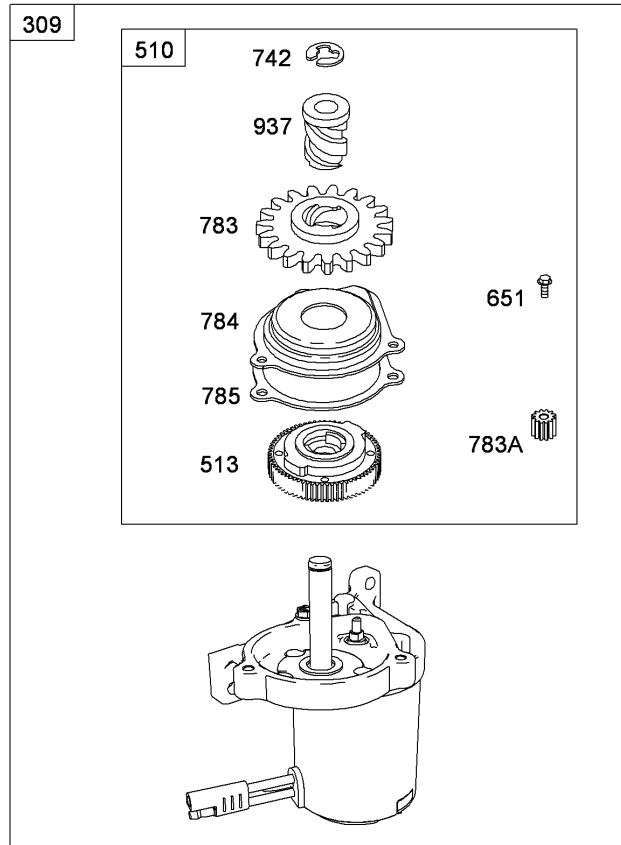
--	--	--	--



## Starter Assembly Briggs and Stratton 126T05-0222-B1

Ref	Part No.	Qty.	Description
● 55	691421	1	Housing-Starter, Rewind
● 58	697316	1	Rope-Starter (Cut To Required Length)
● 60	281434s	1	Grip-Rope, Starter
● 65	690837	1	Screw (Rewind Starter)
● 456	692299	1	Plate-Friction, Pawl
● 459	281505s	1	Ratchet-Pawl
● 592	690800	1	Nut (Rewind Starter)
● 597	691696	1	Screw (Pawl Friction Plate)
● 608	497680	1	Starter-Rewind
● 689	691855	1	Spring-Friction
● 1210	498144	1	Pulley And Spring ASM (Pulley)
● 1211	498144	1	Pulley And Spring ASM (Spring)

--	--	--	--



## Electric Starter Assembly Briggs and Stratton 126T05-0222-B1

Ref	Part No.	Qty.	Description				
309	795092	1	Motor-Starter				
510	795093	1	Drive-Starter				
513	692358	1	Clutch-Drive				
651	691660	1	Screw (Starter Gear Cover)				
697	691127	1	Screw (Drive Cap)				
742	93941	1	Retainer-E Ring				
783	691918	1	Gear-Pinion				
783A	691269	1	Gear-Pinion				
784	7950951	1	Cover-Gear, Starter				
785	692352	1	Gasket-Cover, Starter				
937	691325	1	Spline-Starter				





# Attachments and Accessories

## For 20068 - 22in Recycler Lawn Mower

Product Name	Model/Part
Traction Assist Handle Kit .....	108-8120
Loose Parts Kit .....	115-1321
Replacement Bag .....	59303
Bagger Kit .....	59304
22 Inch Blade Kit .....	59534

