



## 22in Recycler<sup>®</sup> Lawn Mower

Model No. 20089 - 280000001 and up.

### Parts Catalog

---

#### **Ordering Replacement Parts**

To order replacement parts, please supply the part number, the quantity, and the description of each part desired.

#### **Understanding Reference Numbers**

Each identified part in an illustration has a reference number. The reference number for a part also appears in the parts list, along with other information about the part.

This catalog uses two special reference number formats, one to indicate parts in a service assembly and another to indicate the quantity of a given part in an illustration.

#### **Service Assembly Reference Numbers**

Parts in service assemblies have reference numbers in the form a:b. The a represents the reference number of the entire service assembly and the b represents a sequential number unique to each part within the service assembly.

For example, a wheel assembly might be identified by reference number 6, the tire by 6:1, the valve by 6:2, and the wheel by 6:3. When you order the assembly identified by reference number 6, you receive all parts identified by reference numbers 6:1, 6:2, and 6:3. However, you may also order any part individually. Reference numbers of this type appear in illustrations and in part lists.

#### **Reference Numbers Indicating Quantity**

In an illustration, if a reference number indicates more than one part, the reference number has the form nX y. The n represents the quantity of the part, the X is the multiplication symbol, and the y represents the reference number.

For example, in an illustration, the reference number 2X 37 means that two of the parts identified by reference number 37 are indicated.

# Contents

Description	Page	Description	Page
Deck, Side Chute and Rear Door Assembly	3	Carburetor Assembly Briggs and Stratton 126L05-0213-F1	14
Front Axle Assembly	4	Air Cleaner Assembly Briggs and Stratton 126L05-0213-F1	15
Rear Axle and Transmission Assembly	5	Governor Assembly Briggs and Stratton 126L05-0213-F1	16
Transmission Assembly No. 106-3956	6	Muffler and Fuel Tank Assembly Briggs and Stratton 126L05-0213-F1	17
Engine and Blade Assembly	7	Blower Housing Assembly Briggs and Stratton 126L05-0213-F1	18
Handle Assembly	8	Starter Assembly Briggs and Stratton 126L05- 0213-F1	19
Electrical Assembly	9	Engine Gasket Set Briggs and Stratton 126L05-0213-F1	20
Rear Bag Assembly	10	Carburetor Overhaul Kit Briggs and Stratton 126L05-0213-F1	21
Cylinder Assembly Briggs and Stratton 126L05-0213-F1	11	Attachments and Accessories List	22
Crankshaft Assembly Briggs and Stratton 126L05-0213-F1	12		
Crankcase Assembly Briggs and Stratton 126L05-0213-F1	13		

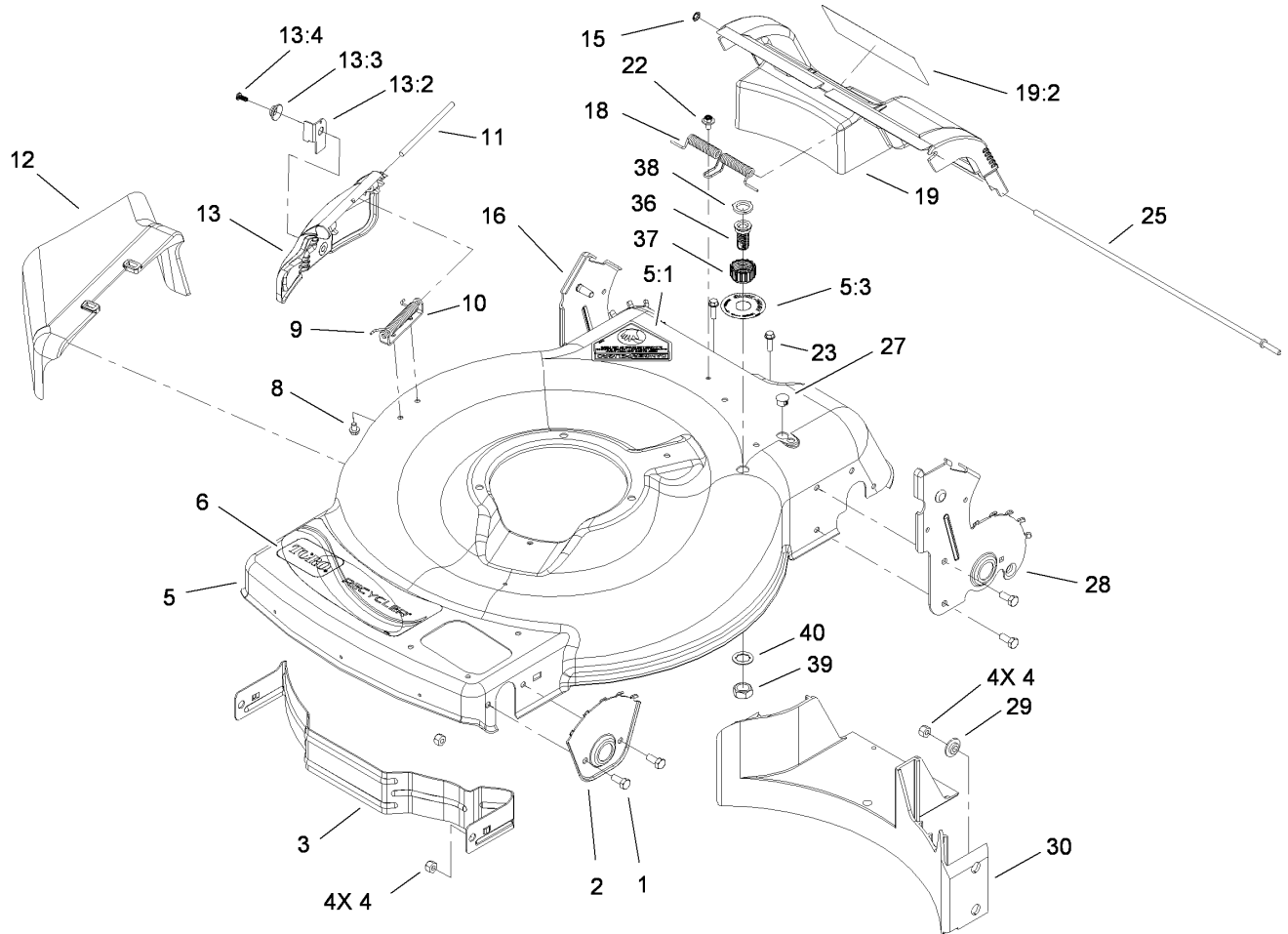
## Part Description Abbreviations

Part descriptions in this catalog may include the following abbreviations.

AR. .... as required	HYD. .... hydraulic
ASM. .... assembly	LH. .... left hand
BBC. .... blade brake clutch	NI. .... nylon insert
CARR. .... carriage	NPTF. .... national pipe thread fine
DEG. .... degrees	PFH. .... phillips flat head
EXT. .... external	PPH. .... phillips pan head
FH. .... flat head	PPHTF. .... phillips pan head thread forming
GA. .... gauge	PRH. .... phillips round head
HD. .... heavy-duty	PTH. .... phillips truss head
HF. .... hex flange	PTO. .... power-take-off
HH. .... hex head	RH. .... right hand
HHF. .... hex head flange	ROPS. .... roll-over protection system
HHFTF. .... hex head flange thread forming	SFH. .... slotted fillister head
HJ. .... hex jam	SHH. .... slotted hex head
HLH. .... hex lag head	SHWH. .... slotted hex washer head
HOC. .... height-of-cut	SPH. .... slotted pan head
HSBH. .... hex socket button head	SQH. .... square head
HSFH. .... hex socket flat head	SRH. .... slotted round head
HSH. .... hex socket head	STD. .... standard
HWH. .... hex washer head	TAP. .... self tapping
HWHTF. .... hex washer head thread forming	TTH. .... torx truss head

## Footnotes

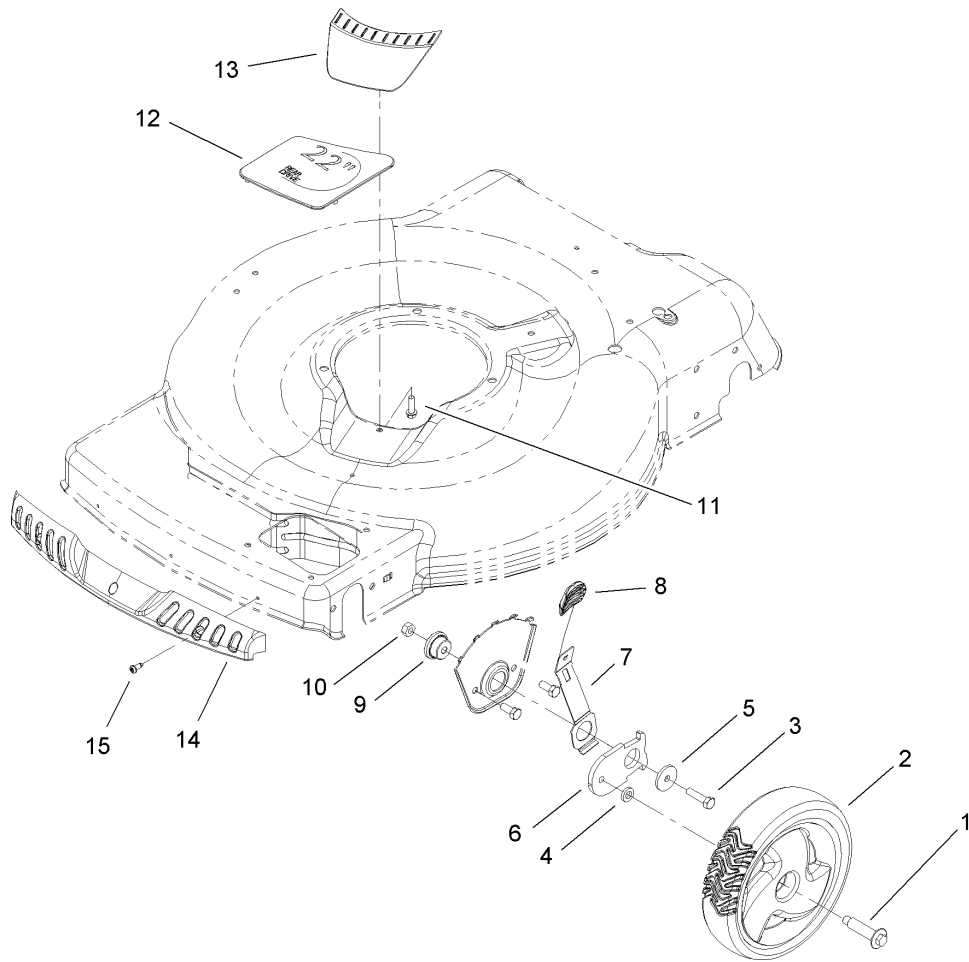
- |   |  |
|---|--|
| ❶ Not illustrated                                 | ❷ Not serviced separately                            |
| ❸ Obtain from your local Briggs & Stratton dealer | ❹ Included in Carburetor Overhaul Kit (Ref. No. 121) |
| ❺ Included in Engine Gasket Set (Ref. No. 358)    | ❻ Included in Carburetor Gasket Set (Ref. No. 977)   |



## Deck, Side Chute and Rear Door Assembly

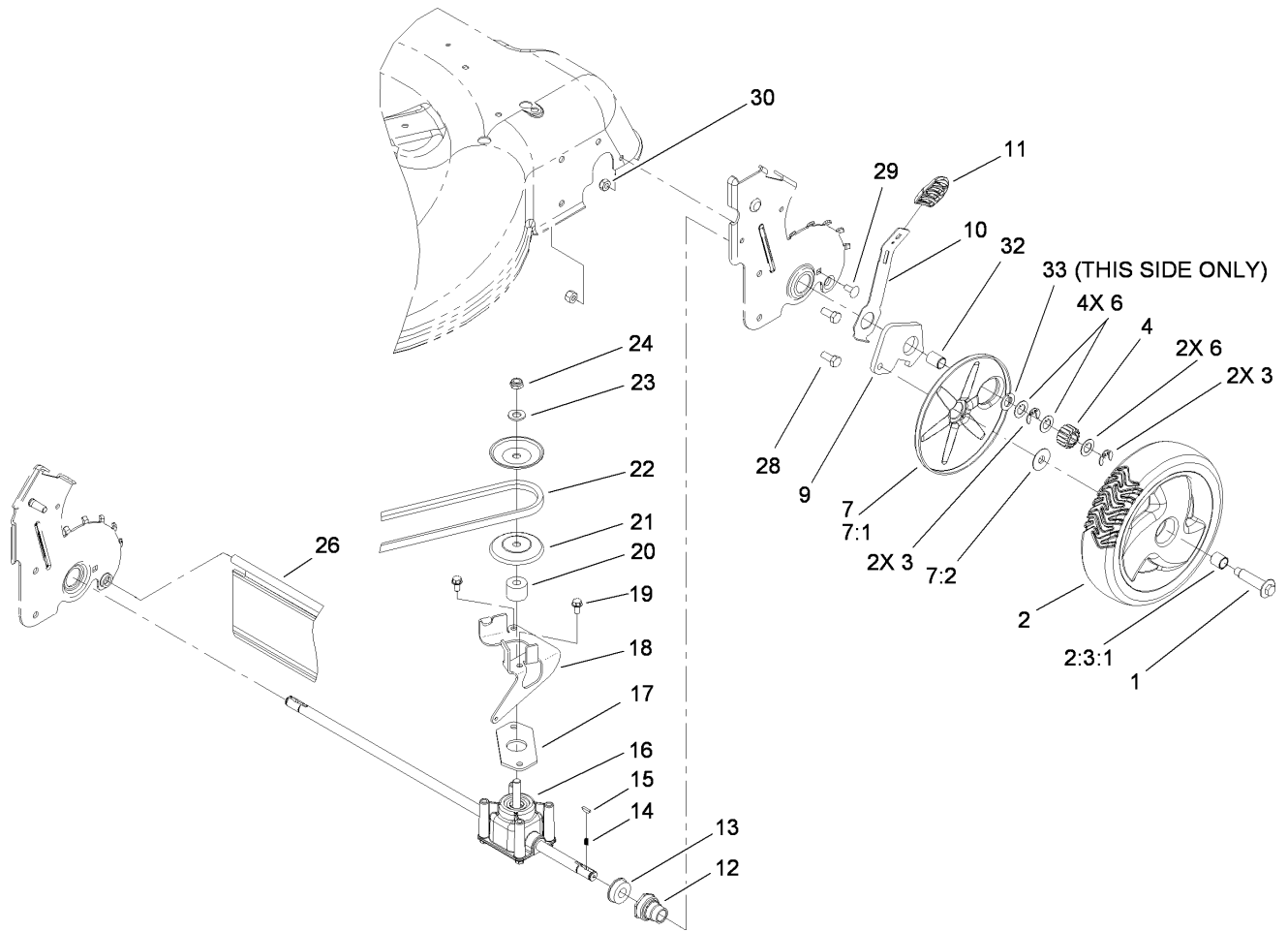
Ref	Part No.	Qty.	Description
1	322-3	4	Screw-HH
2	105-1808-03	2	Plate-HOC, Front
3	104-8694-03	1	Baffle-Front
4	3296-29	8	Nut-Lock, NI
5	112-8850	1	Housing ASM
5:1	94-8072	1	Decal-Danger
5:3	112-8867	1	Decal
6	114-0321	1	Decal
8	99-8445	2	Screw-HWH
9	99-5293	1	Spring-Torsion
10	112-6416	1	Bracket-Cover
11	99-5291	1	Rod-Cover
12	105-3028	1	Chute-Discharge, Side
13	106-8376	1	Discharge Door ASM
13:2	107-0795	1	Latch-Door
13:3	107-7456	1	Cap-Door
13:4	107-7461	1	Screw-Plastite
15	32112-6	1	Nut-Push
16	112-6441	1	8 Inch RH HOC Plate ASM
18	105-3032	1	Spring-Door, Rear
19	112-8864	1	Rear Door ASM
19:2	112-8759	1	Decal-Warning
22	46-6810	1	Screw And Washer ASM
23	46-8091	2	Screw-HWH

Ref	Part No.	Qty.	Description
25	105-1827	1	Rod-Pivot, Rear Door
27	104-9369	1	Plug-Dome
28	112-6443	1	8 Inch LH HOC Plate ASM
29	105-3006	4	Washer-Stepped
30	105-1834	1	Baffle-Rear
36	112-6400	1	Port-Washout
37	112-6401	1	Coupling-Hose, Washout Port
38	112-6438	1	Washer-Seal, Washout Port
39	3218-6	1	Nut-Jam
40	3254-5	1	Washer-Tooth



### Front Axle Assembly

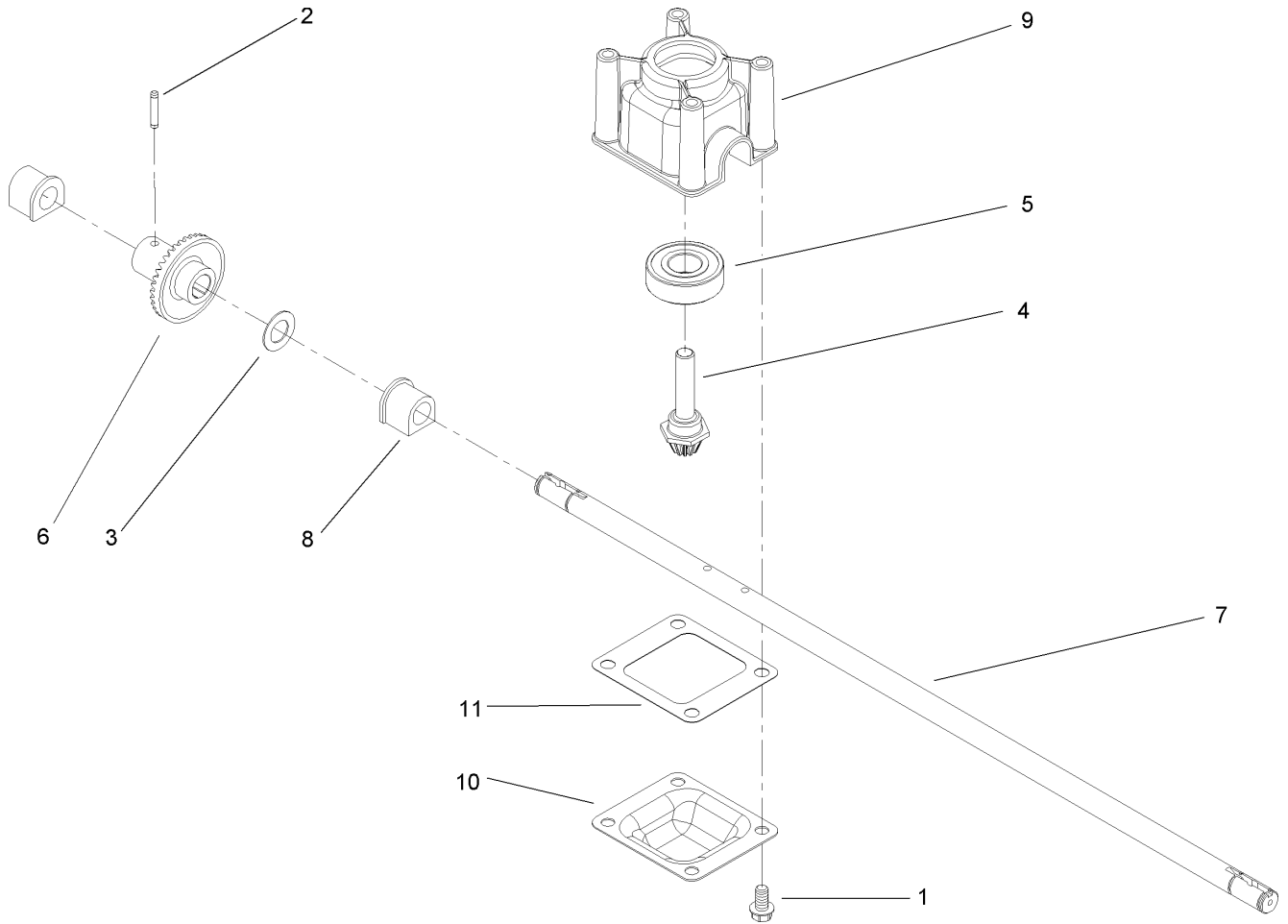
Ref	Part No.	Qty.	Description
1	614650	2	Bolt-Shoulder
2	105-1814	2	Wheel ASM
3	322-6	2	Screw-HH
4	110-7466	2	Washer-Bolt, Wheel
5	105-3048	2	Washer-Flat
6	105-1807	2	Arm-Pivot, Front
7	105-1809	2	Arm-Spring
8	105-3042	2	Knob-Lever, HOC
9	105-1818	2	Bushing-Mount, HOC
10	3296-29	2	Nut-Lock, NI
11	46-8091	1	Screw-HWH
12	105-3004	1	Cover-Cutout
13	105-3005	1	Cover-Belt Opening
14	104-9359	1	Bumper-Mower
15	105-6849	3	Screw-Thread Forming



## Rear Axle and Transmission Assembly

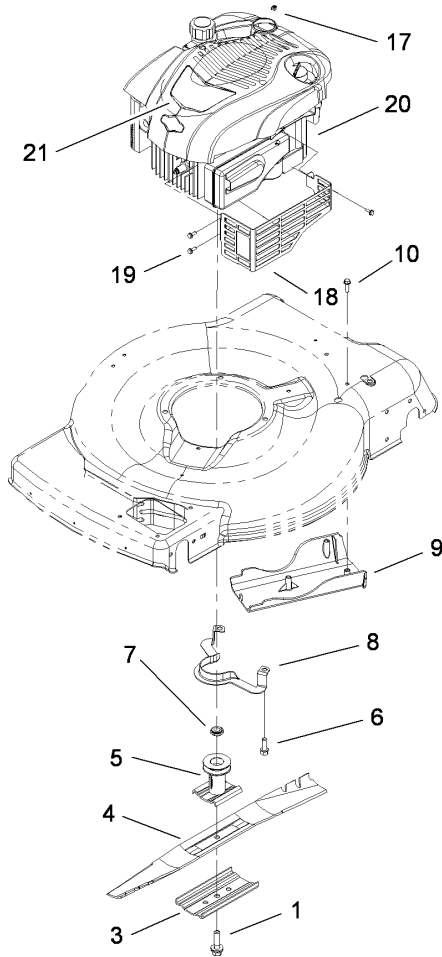
Ref	Part No.	Qty.	Description
1	614650	2	Bolt-Shoulder
2	105-3036	2	Wheel Gear ASM
1 2:3		1	Wheel ASM
2:3:1	27-6250	2	Bushing
3	65-2720	4	Ring-Clip, Locking
4	105-3040	2	Gear-Pinion, 15T
6	105-6840	6	Washer-Thrust
7	110-1792	2	Wheel Cover ASM
7:1		1	Cover-Wheel
7:2	614426	1	Washer-Stepped
9	108-9781	2	Arm-Pivot, Rear
10	108-9780	2	Arm-Spring
11	105-3042	2	Knob-Lever, HOC
12	108-9779	2	Retainer-Bushing, HOC
13	104-8699	2	Bearing-Ball
14	39-9650	2	Spring-Compression
15	612066	2	Key
16	106-3956	1	Transmission ASM
17	108-9756	1	Gasket-Gearbox
18	106-6809-03	1	Bracket-Pivot
19	32144-4	2	Screw-HWH
20	92-5791	1	Spacer
21	100-1176	2	Pulley-Half
22	91-2258	1	V-Belt

Ref	Part No.	Qty.	Description
23	3256-24	1	Washer-Flat
24	3296-5	1	Nut-Lock
26	114-1585	1	Shield-Trailing
28	322-4	4	Screw-HH
29	3229-11	2	Screw-CARR
30	3296-16	2	Nut-Lock, NI
32	108-9782	2	Bushing-Sleeve
33	110-7191	1	Washer-Thrust



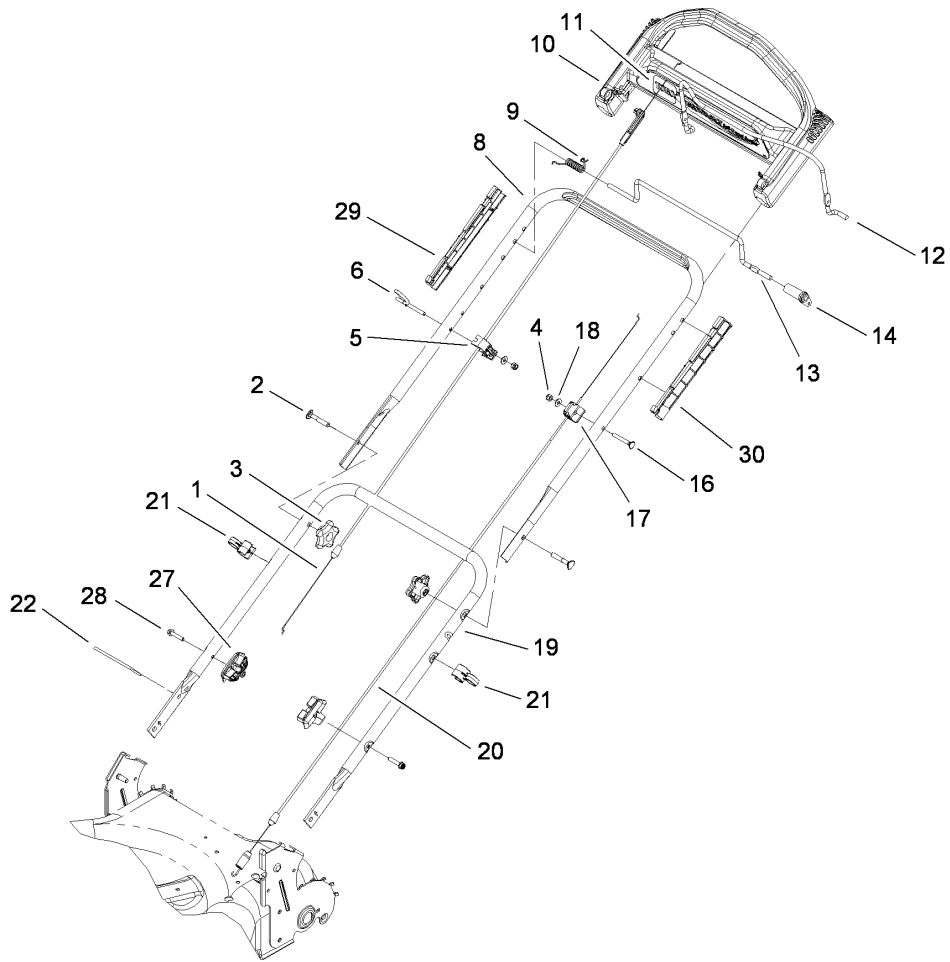
## Transmission Assembly No. 106-3956

Ref	Part No.	Qty.	Description
1	32144-4	4	Screw-HWH
2	105-6817	1	Pin-Groove
3	36-4780	1	Washer-Plain
4	92-5790	1	Pinion
5	100-1048	1	Bearing-Ball
6	104-8671	1	Gear-Bevel, 37T
7	106-3957	1	Shaft-Output
8	104-8673	2	Bushing-Shaft, Output
9	104-8674	1	Gearcase-Upper
10	104-8675-03	1	Cover-Gearcase
11	105-6839	1	Gasket-Gearcase

## Engine and Blade Assembly

Ref	Part No.	Qty.	Description				
1	105-8579	1	Bolt-Blade				
3	108-3766-03	1	Support-Blade				
4	108-9764-03	1	Blade-22 Inch				
5	106-3987	1	Blade Driver ASM				
6	95-1726	3	Screw-Taptite				
7	106-3999	1	Spacer-Driver				
8	105-3030-03	1	Guide-Belt				
9	105-1835	1	Cover-Belt, Rear				
10	46-8091	3	Screw-HWH				
17	2210-316	1	Stop-Rope				
18	104-7577-03	1	Shield-Muffler				
19	32144-1	3	Screw-Taptite				
20		1	Engine-Briggs And Stratton, 126L05-0213-F1				
21	115-1309	1	Decal				



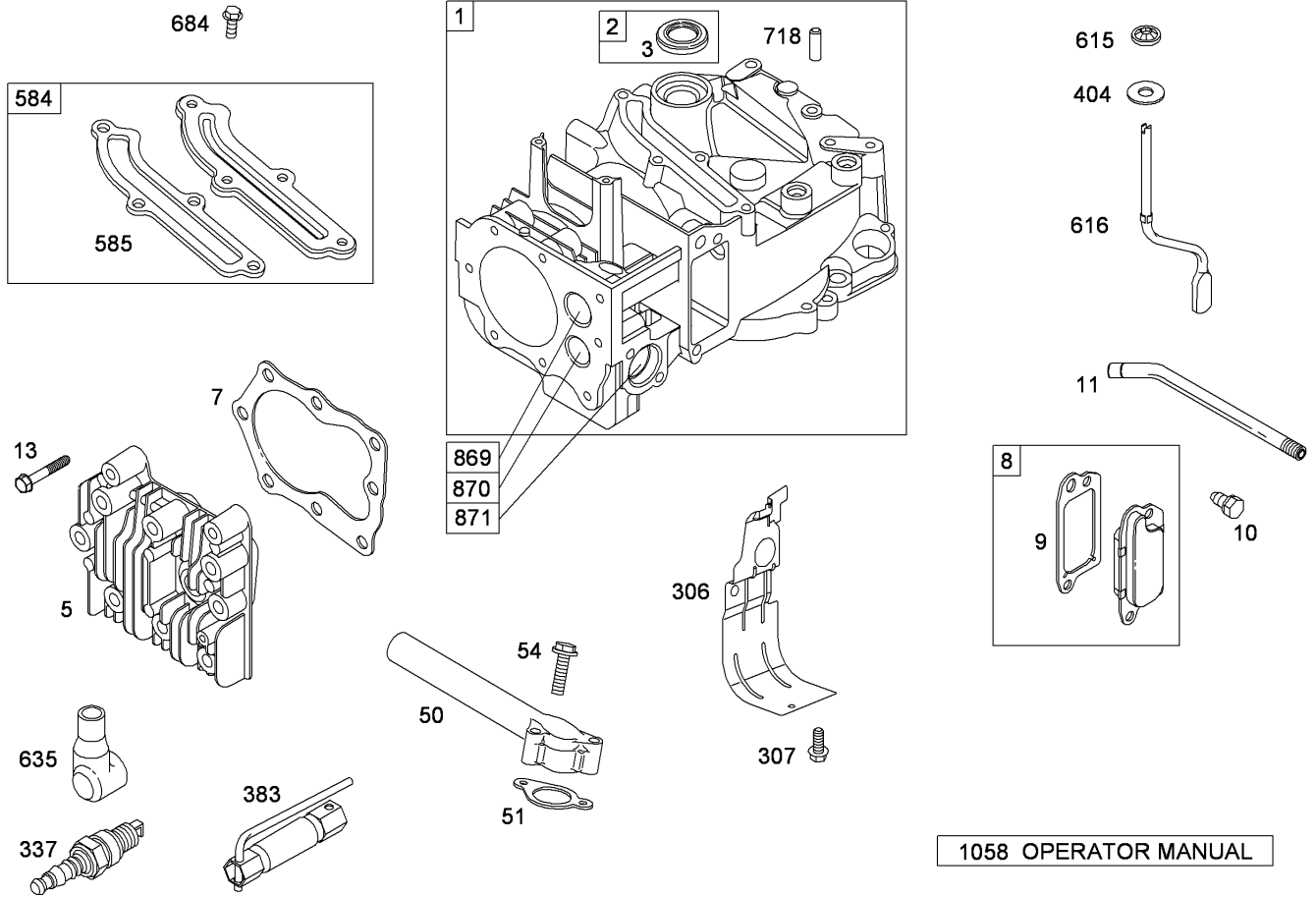
## Handle Assembly

Ref	Part No.	Qty.	Description
1	104-8676	1	Cable-Brake
2	112-8876	2	Screw-Handle
3	108-8162	2	Knob-Locking
4	3296-73	2	Nut-Lock, NI
5	106-8331	1	Anchor-Cable
6	106-8330	1	Guide-Rope
8	104-8680-05	1	Handle-Upper
9	104-8690	1	Spring-Torsion
10	104-8678	1	Handle-Control
11	114-0338	1	Decal
12	104-8679-03	1	Bail-Brake
13	99-1588	1	Bar-Control, Traction
14	99-1589	1	Lever-Traction
16	321-50	1	Screw-HH
17	92-7729	1	Anchor-Cable, Upper
18	3256-1	2	Washer-Flat
19	112-6440-05	1	Handle-Lower
20	105-1844	1	Cable-Traction
21	106-6805	2	Guide-Cable
22	614249	1	Strap-Tie
27	108-9788	2	Anchor-Bag
28	32144-110	2	Screw-HWH
29	105-6841	1	Guide-RH
30	105-6842	1	Guide-LH







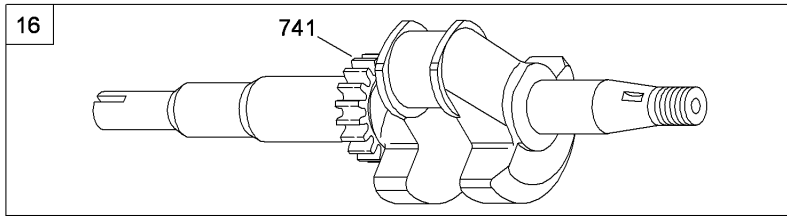
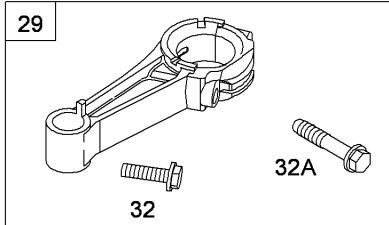
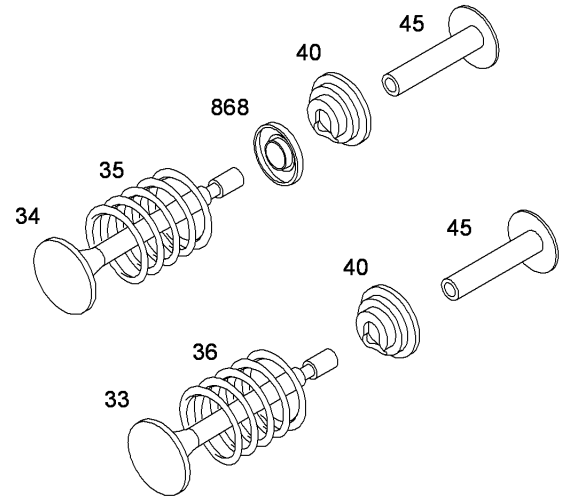
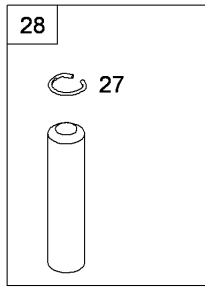
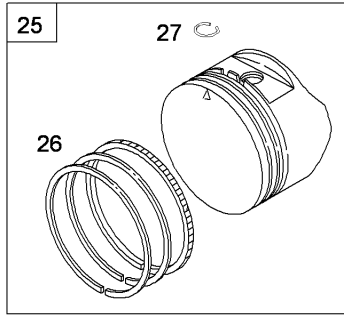



Assemblies include all parts shown in frames

## Cylinder Assembly Briggs and Stratton 126L05-0213-F1

Ref	Part No.	Qty.	Description
1	697322	1	Cylinder ASM
2	399269	1	Bushing And Seal Kit
3	299819s	1	Seal-Oil (Magneto Side)
5	691160	1	Head-Cylinder
7	692249	1	Gasket-Head, Cylinder
8	695250	1	Breather ASM
9	696125	1	Gasket-Breather
10	691125	1	Screw (Breather ASM)
11	691781	1	Tube-Breather
13	690912	1	Screw (Cylinder Head)
50	794305	1	Manifold-Intake
51	794306	1	Gasket-Intake
54	691650	1	Screw (Intake Manifold)
306	790836	1	Shield-Cylinder
307	690345	1	Screw (Cylinder Shield)
337	802592s	1	Plug-Spark
383	89838s	1	Wrench-Spark Plug
404	690272	1	Washer (Governor Crank)
584	697734	1	Cover-Passage, Breather
585	691879	1	Gasket-Passage, Breather
615	690340	1	Retainer-Shaft, Governor
616	698801	1	Crank-Governor
635	66538s	1	Boot-Spark Plug
684	690345	1	Screw (Breather Passage Cover)

Ref	Part No.	Qty.	Description
718	690959	1	Pin-Locating
869	691155	1	Seat-Valve (Intake)
870	690380	1	Seat-Valve (Exhaust)
871	262001	1	Bushing-Guide (Exhaust)
871	63709	1	Bushing-Guide (Intake)
1058	277039TRI	1	Operator Manual



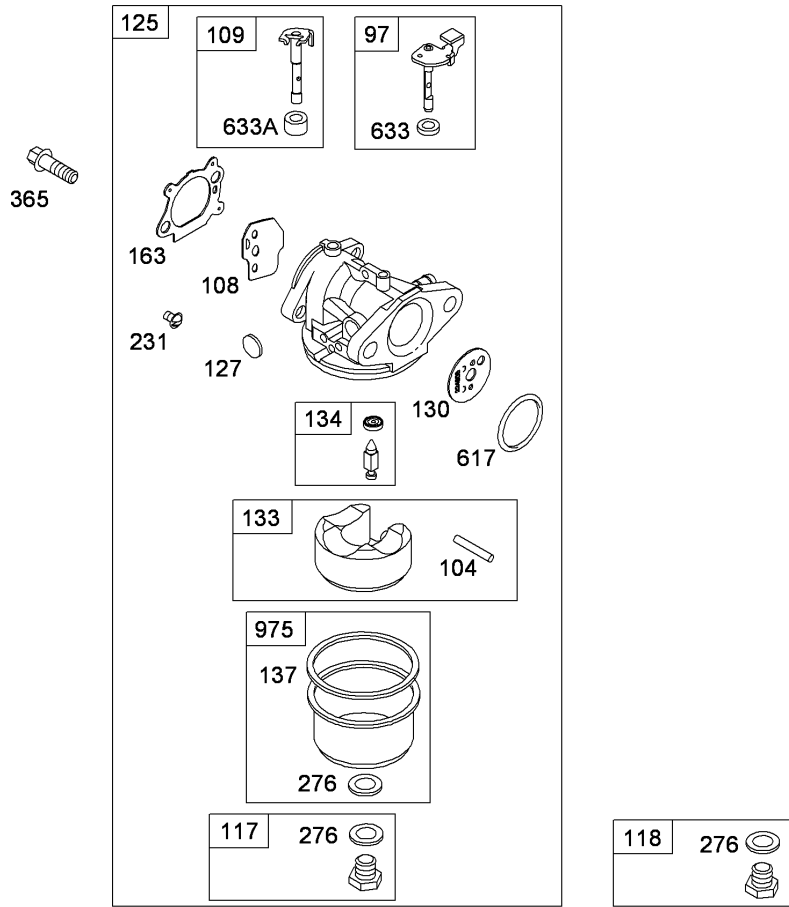
Assemblies include all parts shown in frames

# Crankshaft Assembly Briggs and Stratton 126L05-0213-F1

Ref	Part No.	Qty.	Description
16	696009	1	Crankshaft
24	222698s	1	Key-Flywheel
25	791097	1	Piston ASM (STD)
25	791326	1	Piston ASM (.020 Oversize)
26	791098	1	Ring Set (STD)
26	791324	1	Ring Set (.020 Oversize)
27	691866	1	Lock-Pin, Piston
28	499423	1	Pin-Piston (STD)
29	499424	1	Rod-Connecting (STD)
32	691664	1	Screw (Connecting Rod)
32A	695759	1	Screw (Connecting Rod)
33	262651s	1	Valve-Exhaust
34	262652s	1	Valve-Intake
35	691270	1	Spring-Valve (Intake)
36	691270	1	Spring-Valve (Exhaust)
40	692194	1	Retainer-Valve
45	690548	1	Tappet-Valve
741	790345	1	Gear-Timing
868	697338	1	Seal-Valve

--	--	--	--



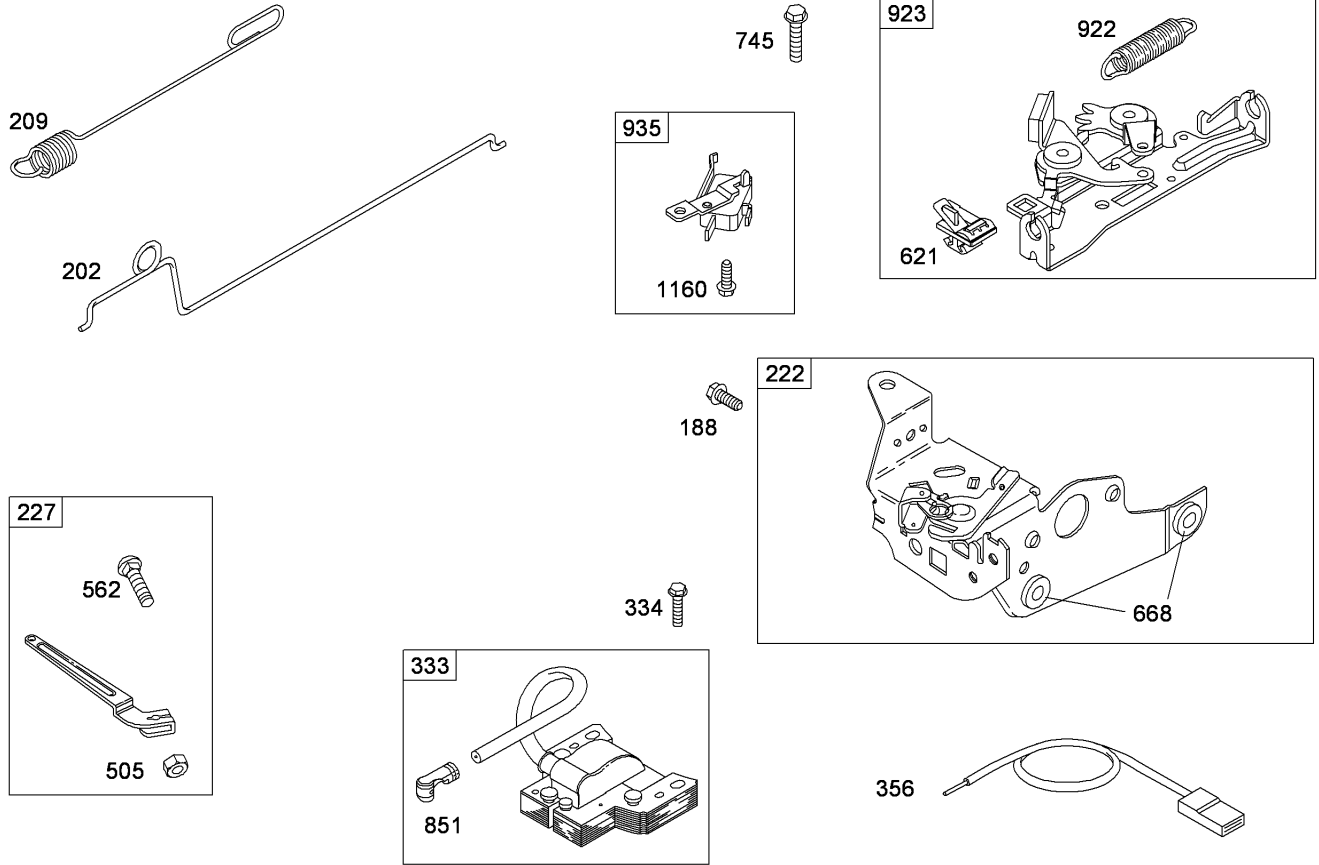


Assemblies include all parts shown in frames

## Carburetor Assembly Briggs and Stratton 126L05-0213-F1

Ref	Part No.	Qty.	Description
③ 97	696565	1	Shaft-Throttle
③ ④ 104	691242	1	Pin-Hinge, Float
③ 108	790844	1	Valve-Choke
③ 109	790843	1	Shaft-Choke
③ 117	498978	1	Jet-Main (STD)
③ 118	494870	1	Jet-Main (High Altitude)
③ 125	498170	1	Carburetor
③ ④ 127	694468	1	Plug-Welch
③ 130	696564	1	Valve-Throttle
③ 133	398187	1	Float-Carburetor
③ ④ 134	398188	1	Needle And Seat Kit
③ ④ 137	693981	1	Gasket-Bowl, Float
⑤			
③ ④ 163	272653	1	Gasket-Cleaner, Air
⑤ ⑥			
③ 231	691636	1	Screw (Choke Valve)
③ ④ 276	271716	1	Washer-Sealing
⑤			
③ 365	692524	1	Screw (Carburetor)
③ ④ 617	270344s	1	Seal-O Ring (Intake Manifold)
⑤			
③ ④ 633	691321	1	Seal-Shaft, Choke Throttle
⑤			
③ ④ 633A	693867	1	Seal-Shaft, Choke Throttle
⑤			
③ 975	493640	1	Bowl-Float



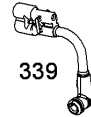
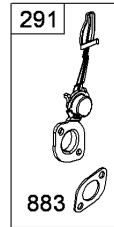
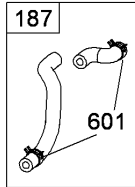
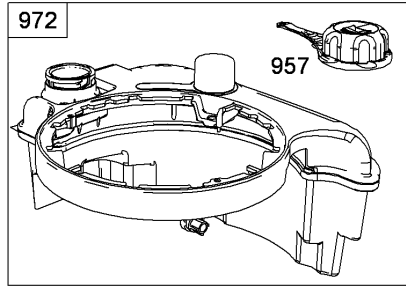
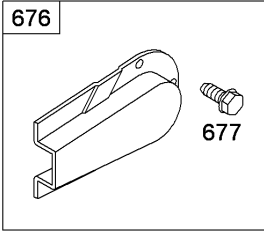
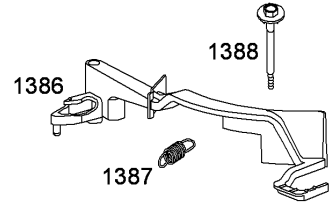
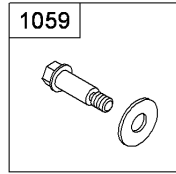
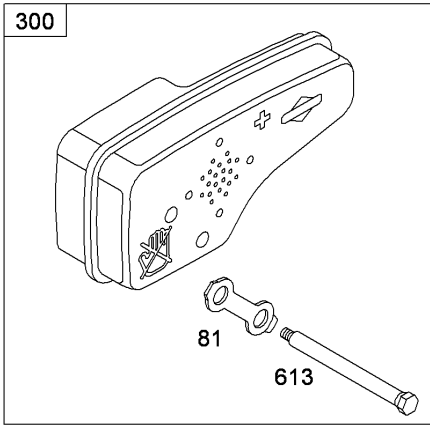



Assemblies include all parts shown in frames

## Governor Assembly Briggs and Stratton 126L05-0213-F1

Ref	Part No.	Qty.	Description
①188	693399	1	Screw (Control Bracket)
②202	691829	1	Link-Governor, Mechanical
③209	691292	1	Spring-Governor
④222	793754	1	Bracket-Control
⑤227	690783	1	Lever-Control, Governor
⑥333	802574	1	Armature-Magneto
⑦334	691061	1	Screw (Magneto Armature)
⑧356	692390	1	Wire-Stop
⑨505	691251	1	Nut (Governor Control Lever)
⑩562	691119	1	Screw (Governor Control Lever)
⑪621	692310	1	Switch-Stop
⑫⑬668	493823	1	Spacer
⑭745	691648	1	Screw (Brake)
⑮851	493880s	1	Terminal-Spark Plug
⑯922	691831	1	Spring-Brake
⑰923	691994	1	Brake ASM
⑱935	499421	1	Switch-Interlock
⑲1160	691627	1	Screw (Interlock Switch)



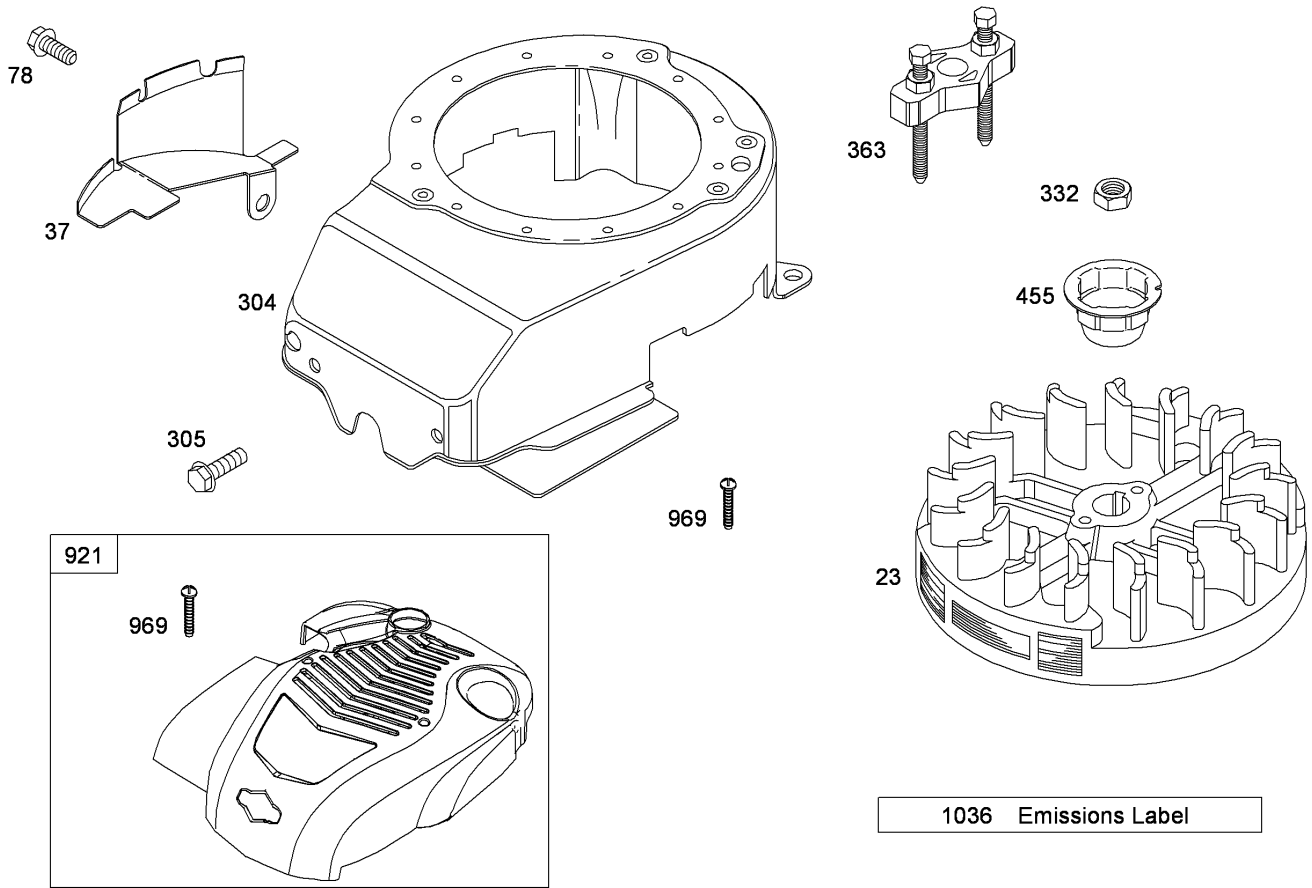



Assemblies include all parts shown in frames

## Muffler and Fuel Tank Assembly Briggs and Stratton 126L05-0213-F1

Ref	Part No.	Qty.	Description
81	691740	1	Lock-Screw, Muffler
187	795090	1	Line-Fuel (Cut To Required Length)
190	690940	1	Screw (Fuel Tank)
240	298090S	1	Filter-Fuel
291	790830	1	Thermostat
300	790828	1	Muffler
339	794797	1	Tube And Connector ASM
601	791850	1	Clamp-Hose
613	790833	1	Screw (Muffler)
670	692294	1	Spacer-Tank, Fuel
676	493871	1	Deflector-Muffler
677	690661	1	Screw (Muffler Deflector)
883	691881	1	Gasket-Exhaust
957	794793	1	Cap-Fuel Tank
972	794792	1	Tank-Fuel
1059	692311	1	Screw And Washer Kit
1386	790848	1	Vane-Air
1387	790849	1	Spring-Vane, Air
1388	790850	1	Screw (Air Vane)

--	--	--	--



Assemblies include all parts shown in frames

## Blower Housing Assembly Briggs and Stratton 126L05-0213-F1

Ref	Part No.	Qty.	Description
● 23	691987	1	Flywheel
● 37	694086	1	Guard-Flywheel
● 78	691108	1	Screw (Flywheel Guard)
● 304	790983	1	Housing-Blower
● 305	691108	1	Screw (Blower Housing)
● 332	690662	1	Nut (Flywheel)
● 363	19069	1	Puller-Flywheel
● 455	791760	1	Cup-Flywheel
● 921	795089	1	Cover-Housing, Blower
● 969	691138	1	Screw (Blower Housing Cover)
● 1036		1	Label-Emissions

--	--	--	--







# Attachments and Accessories

## For 20089 - 22in Recycler Lawn Mower

Product Name	Model/Part
Traction Assist Handle Kit .....	108-8120
Loose Parts Kit .....	115-1324
Replacement Bag .....	59303
Bagger Kit .....	59304
22 Inch Blade Kit .....	59534

# NOTES

