



Super Recycler[®] Lawn Mower

Model No. 20095 - 280000001 and up.

Parts Catalog

Ordering Replacement Parts

To order replacement parts, please supply the part number, the quantity, and the description of each part desired.

Understanding Reference Numbers

Each identified part in an illustration has a reference number. The reference number for a part also appears in the parts list, along with other information about the part.

This catalog uses two special reference number formats, one to indicate parts in a service assembly and another to indicate the quantity of a given part in an illustration.

Service Assembly Reference Numbers

Parts in service assemblies have reference numbers in the form a:b. The a represents the reference number of the entire service assembly and the b represents a sequential number unique to each part within the service assembly.

For example, a wheel assembly might be identified by reference number 6, the tire by 6:1, the valve by 6:2, and the wheel by 6:3. When you order the assembly identified by reference number 6, you receive all parts identified by reference numbers 6:1, 6:2, and 6:3. However, you may also order any part individually. Reference numbers of this type appear in illustrations and in part lists.

Reference Numbers Indicating Quantity

In an illustration, if a reference number indicates more than one part, the reference number has the form nX y. The n represents the quantity of the part, the X is the multiplication symbol, and the y represents the reference number.

For example, in an illustration, the reference number 2X 37 means that two of the parts identified by reference number 37 are indicated.

Contents

Description	Page	Description	Page
Housing Assembly 3	Carburetor Assembly Briggs and Stratton 126T07-0226-B1 16
Housing Assembly No. 115-2854 4	Air Cleaner Assembly Briggs and Stratton 126T07-0226-B1 17
Discharge Door Assembly No. 107-3717 5	Governor Assembly Briggs and Stratton 126T07-0226-B1 18
Height-of-Cut Assembly 6	Muffler and Fuel Tank Assembly Briggs and Stratton 126T07-0226-B1 19
Transmission Assembly 7	Blower Housing Assembly Briggs and Stratton 126T07-0226-B1 20
Gear Case Assembly No. 108-8140 8	Starter Assembly Briggs and Stratton 126T07- 0226-B1 21
Engine Assembly 9	Electric Starter Assembly Briggs and Stratton 126T07-0226-B1 22
Handle Assembly 10	Engine Gasket Set Briggs and Stratton 126T07-0226-B1 23
Electrical Assembly 11	Carburetor Overhaul Kit Briggs and Stratton 126T07-0226-B1 24
Bag Assembly 12	Attachments and Accessories List 25
Cylinder Assembly Briggs and Stratton 126T07-0226-B1 13		
Crankshaft Assembly Briggs and Stratton 126T07-0226-B1 14		
Crankcase Assembly Briggs and Stratton 126T07-0226-B1 15		

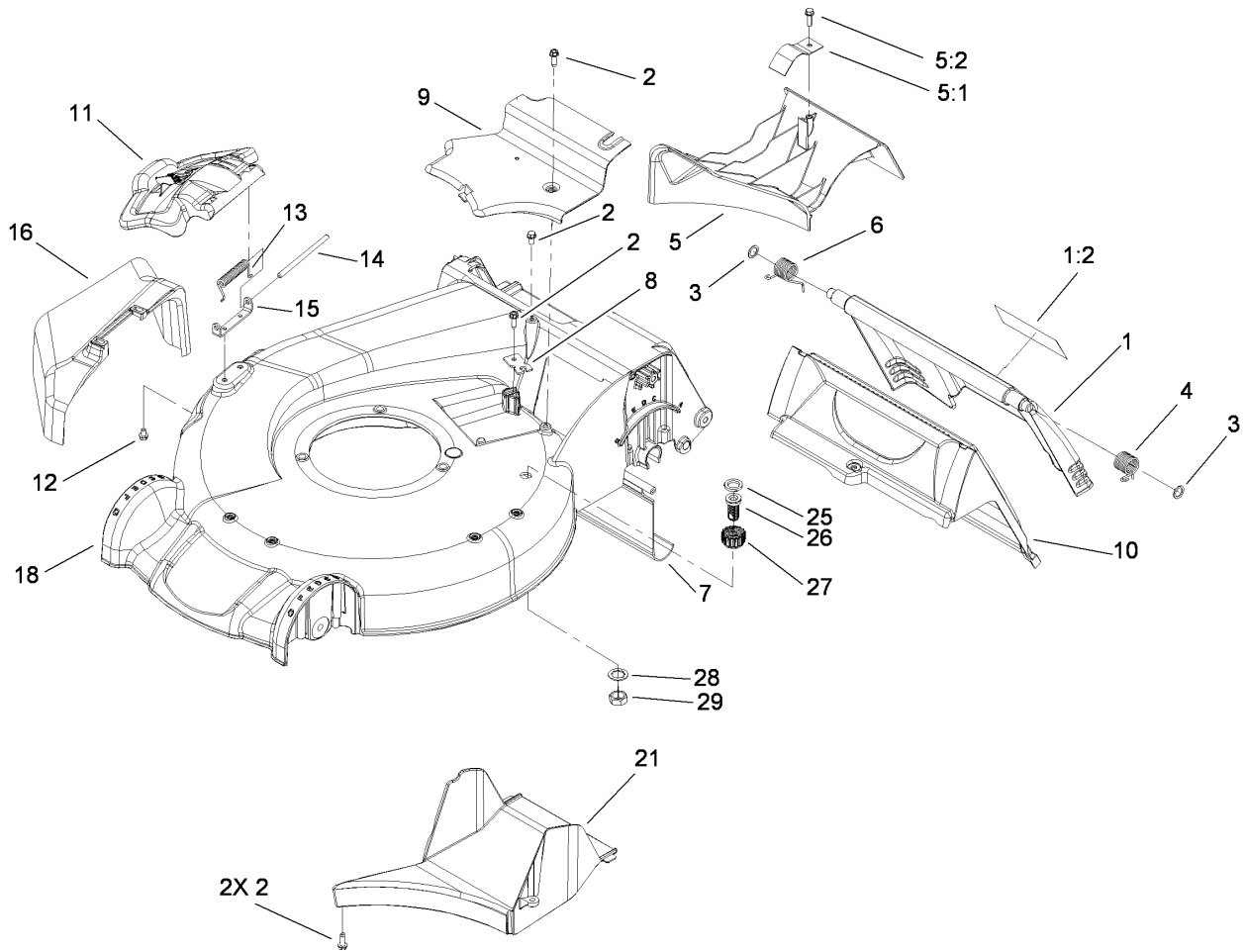
Part Description Abbreviations

Part descriptions in this catalog may include the following abbreviations.

AR. as required	HYD. hydraulic
ASM. assembly	LH. left hand
BBC. blade brake clutch	NI. nylon insert
CARR. carriage	NPTF. national pipe thread fine
DEG. degrees	PFH. phillips flat head
EXT. external	PPH. phillips pan head
FH. flat head	PPHTF. phillips pan head thread forming
GA. gauge	PRH. phillips round head
HD. heavy-duty	PTH. phillips truss head
HF. hex flange	PTO. power-take-off
HH. hex head	RH. right hand
HHF. hex head flange	ROPS. roll-over protection system
HHFTF. hex head flange thread forming	SFH. slotted fillister head
HJ. hex jam	SHH. slotted hex head
HLH. hex lag head	SHWH. slotted hex washer head
HOC. height-of-cut	SPH. slotted pan head
HSBH. hex socket button head	SQH. square head
HSFH. hex socket flat head	SRH. slotted round head
HSH. hex socket head	STD. standard
HWH. hex washer head	TAP. self tapping
HWHTF. hex washer head thread forming	TTH. torx truss head

Footnotes

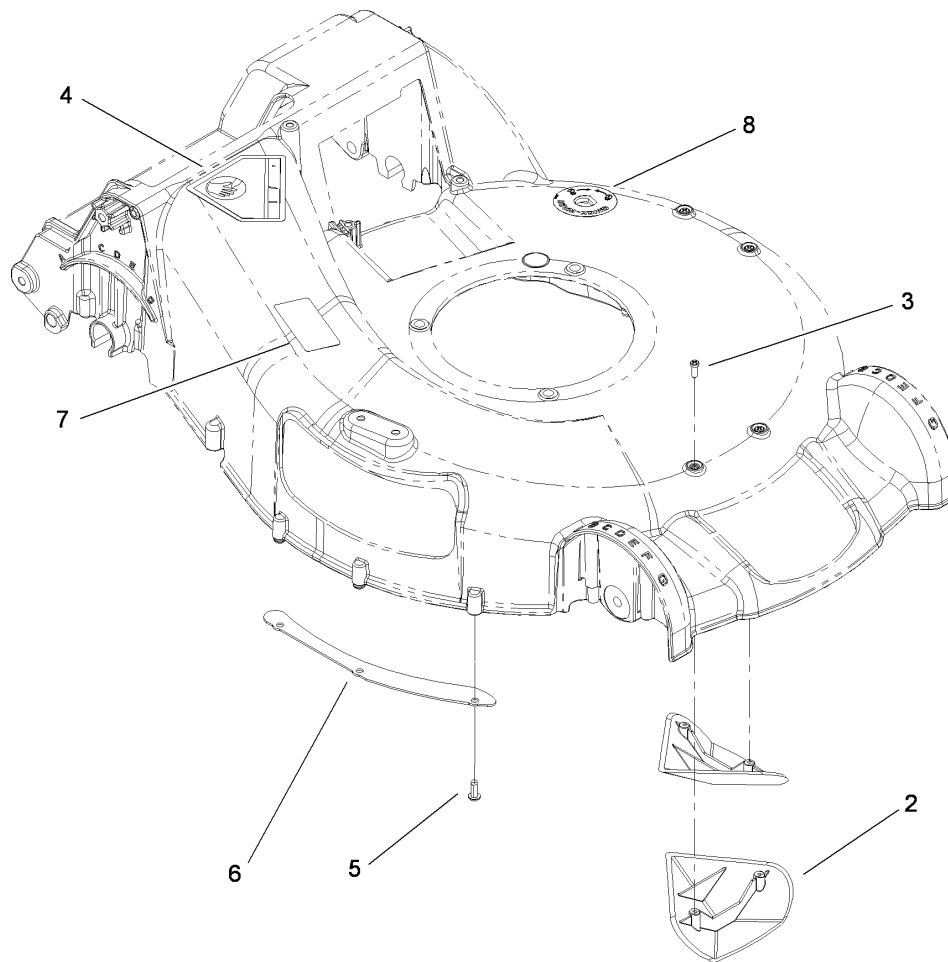
- | | |
|---|--|
| ❶ Not illustrated | ❷ Not serviced separately |
| ❸ Obtain from your local Briggs & Stratton dealer | ❹ Included in Carburetor Overhaul Kit (Ref. No. 121) |
| ❺ Included in Engine Gasket Set (Ref. No. 358) | ❻ Included in Carburetor Gasket Set (Ref. No. 977) |



Housing Assembly

Ref	Part No.	Qty.	Description
1		1	Rear Door ASM
1:2	114-7982	1	Decal-Warning
2	49-2040	5	Screw-HWHTF
3	94-8196	2	Washer-Nylon
4	115-2859	1	Spring-Torsion
5	115-4656	1	Plug-Mulch ASM
5:1	115-4655	1	Tab-Spring
5:2	46-8091	1	Screw-HWH
6	114-7924	1	Spring-Torsion
7	114-1586	1	Shield-Trailing
8	107-7497	1	Bracket-Cable, Traction
9	107-7494	1	Cover-Belt
10	114-2668	1	Chute
11	107-3717	1	Discharge Door ASM
12	99-8445	2	Screw-HWH
13	99-5293	1	Spring-Torsion
14	99-5291	1	Rod-Cover
15	112-6416	1	Bracket-Cover
16	108-3753	1	Chute-Discharge, Side
18	115-2854	1	Housing ASM
21	107-7495	1	Tunnel-Discharge
25	112-6438	1	Washer-Seal, Washout Port
26	112-6400	1	Port-Washout
27	112-6401	1	Coupling-Hose, Washout Port

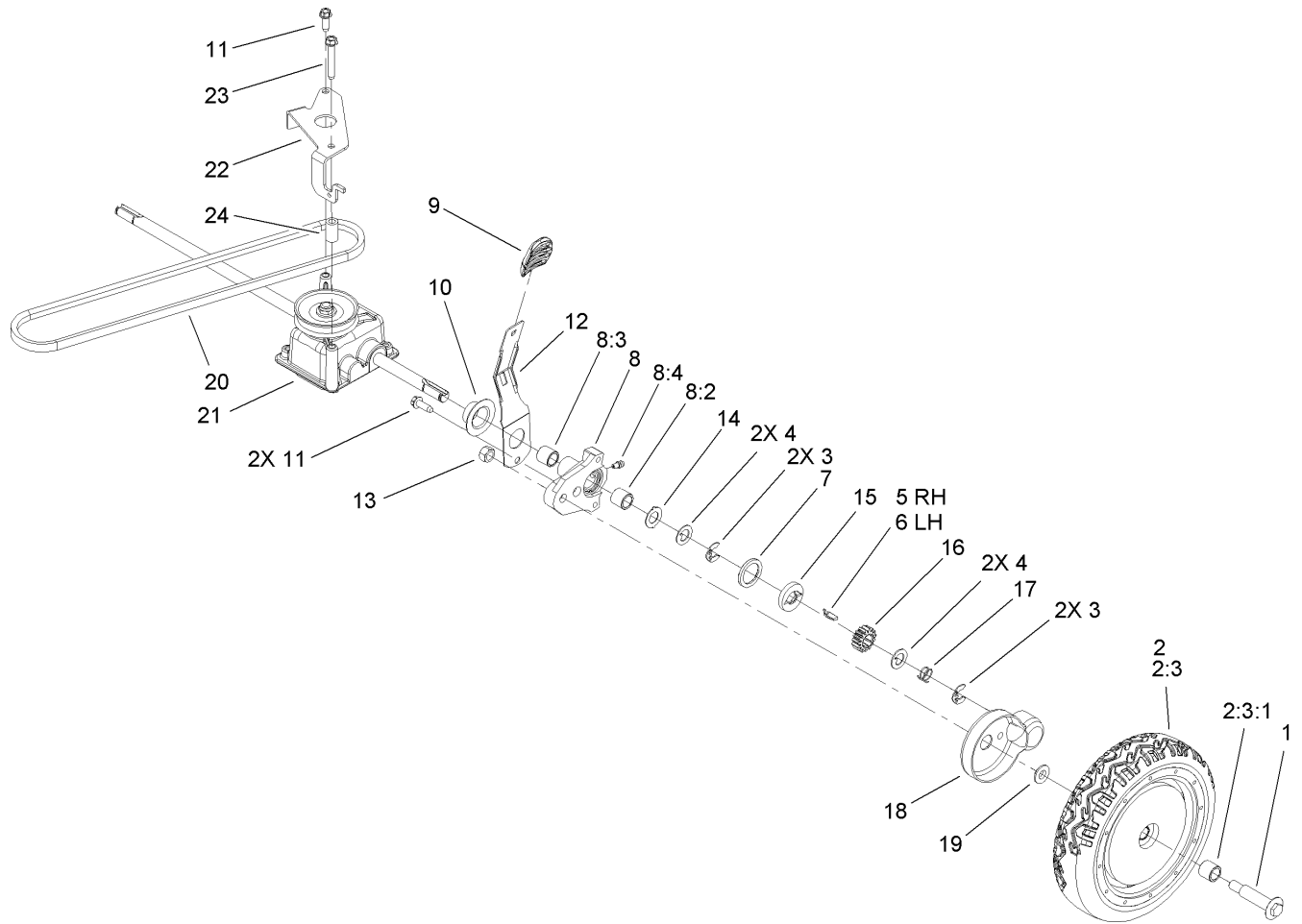
Ref	Part No.	Qty.	Description
28	3254-5	1	Washer-Tooth
29	3218-6	1	Nut-Jam



Housing Assembly No. 115-2854

Ref	Part No.	Qty.	Description
2	108-3798	2	Kicker-Housing
3	32144-111	4	Screw-PPH
4	94-8072	1	Decal-Danger
5	63-8590	3	Screw
6	105-1316-03	1	Sheet-Lip
7	108-8117	1	Decal
8	112-8867	1	Decal

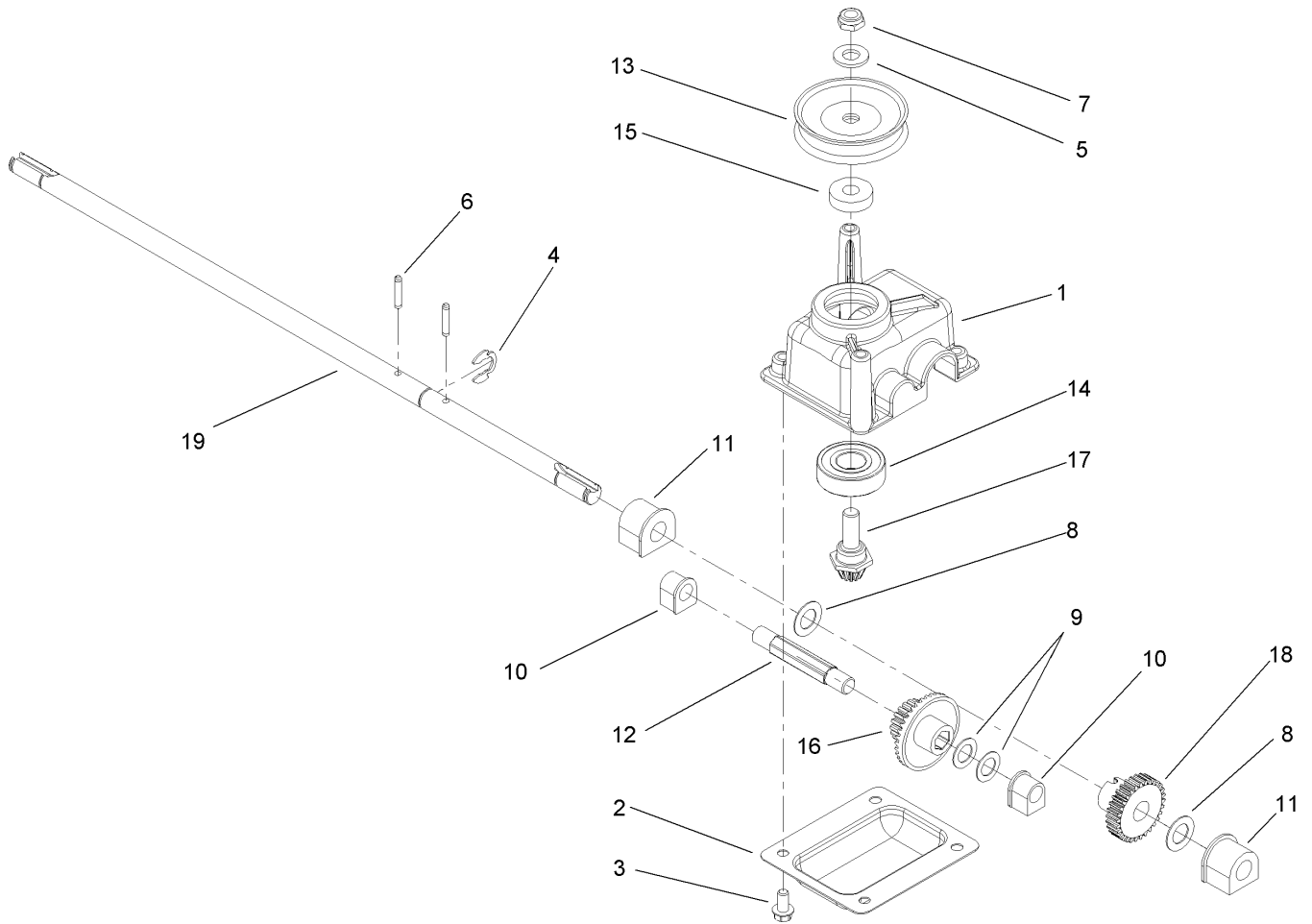
--	--	--	--



Transmission Assembly

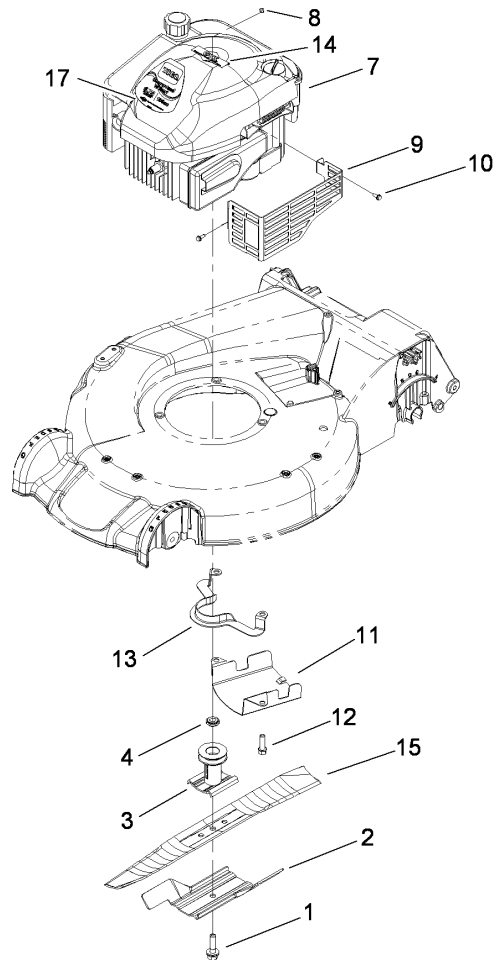
Ref	Part No.	Qty.	Description
1	92-1057	2	Bolt-Shoulder
2	107-3709	2	Wheel Gear ASM
2:3		1	Wheel ASM
2:3:1	27-6250	2	Bushing
3	65-2720	4	Ring-Clip, Locking
4	65-4740	4	Washer-Thrust, Keyed
5	66-6040	1	Key-Rocking, RH
6	66-6050	1	Key-Rocking, LH
7	65-4710	2	Ring-Friction
8	100-8774	2	Pivot Arm ASM
8:2	47-2900	1	Bushing
8:3	70-9760	1	Bushing
8:4	302-56	1	Fitting-Grease
9	105-3042	2	Knob-Lever, HOC
10	42-3520	2	Cap-End
11	49-2040	3	Screw-HWHTF
12	107-7491	2	Arm-Spring
13	603773	2	Nut
14	65-4730	2	Washer-Arm, Pivot
15	65-4760	2	Washer-Clutch
16	65-4750	2	Gear-Pinion
17	65-4720	2	Spring-Compression
18	74-1660	2	Cover-Wheel
19	74-1671	2	Spacer-Cover, Wheel

Ref	Part No.	Qty.	Description
20	99-1597	1	V-Belt
21	108-8140	1	Gear Case ASM
22	107-7483-03	1	Bracket-Gearbox
23	92-1616	1	Screw-HWHTF
24	614673	1	Bushing-Plate, Actuator



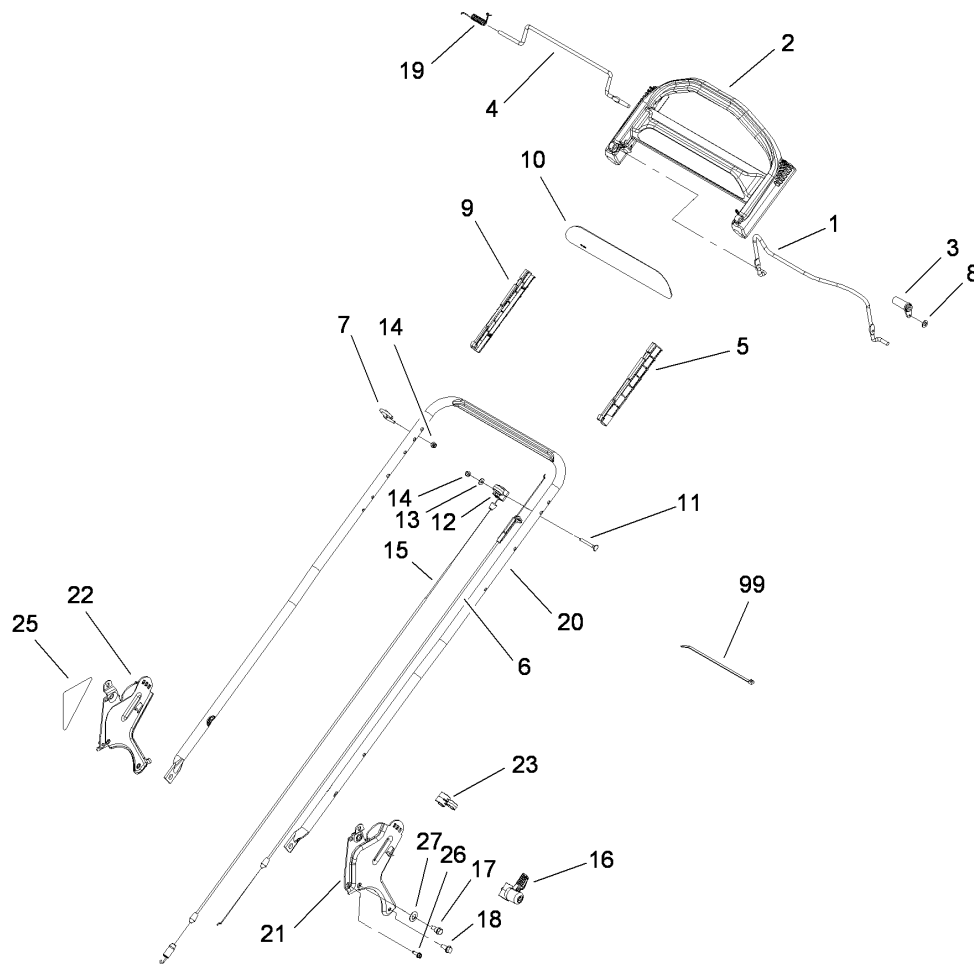
Gear Case Assembly No. 108-8140

Ref	Part No.	Qty.	Description
1	104-7619	1	Case-Gear
2	614668-03	1	Cover-Case, Gear
3	32144-4	4	Screw-HWH
4	32151-68	1	Ring-Retaining
5	3256-24	1	Washer-Flat
6	3285-19	2	Pin-Groove
7	3296-5	1	Nut-Lock
8	36-4780	2	Washer-Plain
9	36-4791	2	Washer-Thrust
10	60-8750	2	Bushing
11	60-8850	2	Bushing
12	614696	1	Shaft-Intermediate
13	100-1176	2	Pulley-Half
14	100-1048	1	Bearing-Ball
15	62-6660	1	Spacer
16	104-1005	1	Gear-19T Spur, 37T Bevel
17	104-7667	1	Gear-Pinion, Bevel
18	104-1004	1	Gear-30T
19	108-8141	1	Shaft-Output



Engine Assembly

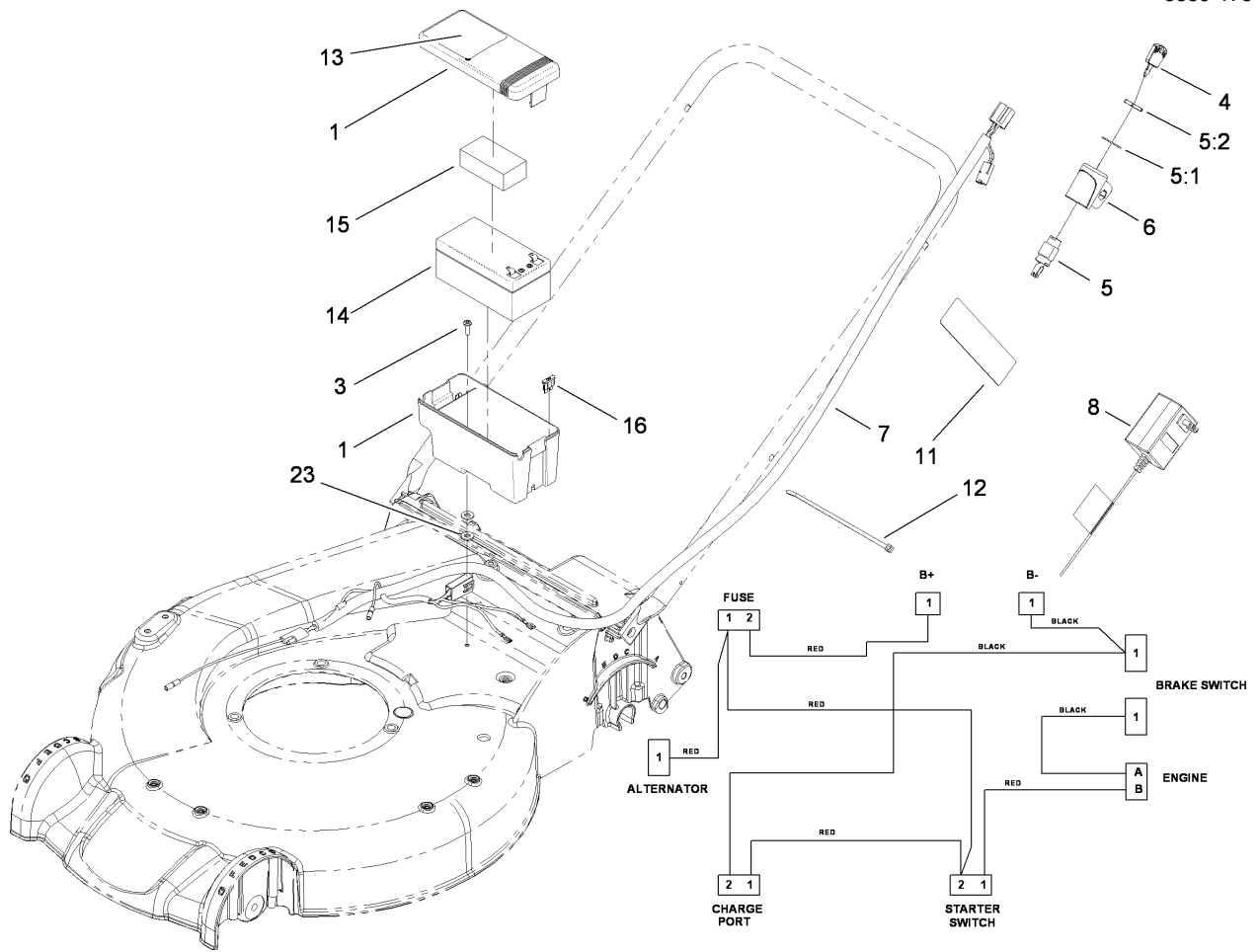
Ref	Part No.	Qty.	Description				
1	105-8579	1	Bolt-Blade				
2	105-6848-03	1	Accelerator-Blade				
3	106-3987	1	Blade Driver ASM				
4	106-3999	1	Spacer-Driver				
2 57		1	Engine-Briggs And Stratton, 126T07-0226-B1				
8	2210-316	1	Stop-Rope				
9	104-7577-03	1	Shield-Muffler				
10	32144-1	3	Screw-Taptite				
11	107-7489-03	1	Shield-Grass				
12	95-1727	3	Screw-Taptite				
13	108-8110-03	1	Guide-Belt				
14	108-8130	1	Decal-Recoil				
15	108-3762-03	1	Blade-Recycling				
17	114-0339	1	Decal-Engine				



Handle Assembly

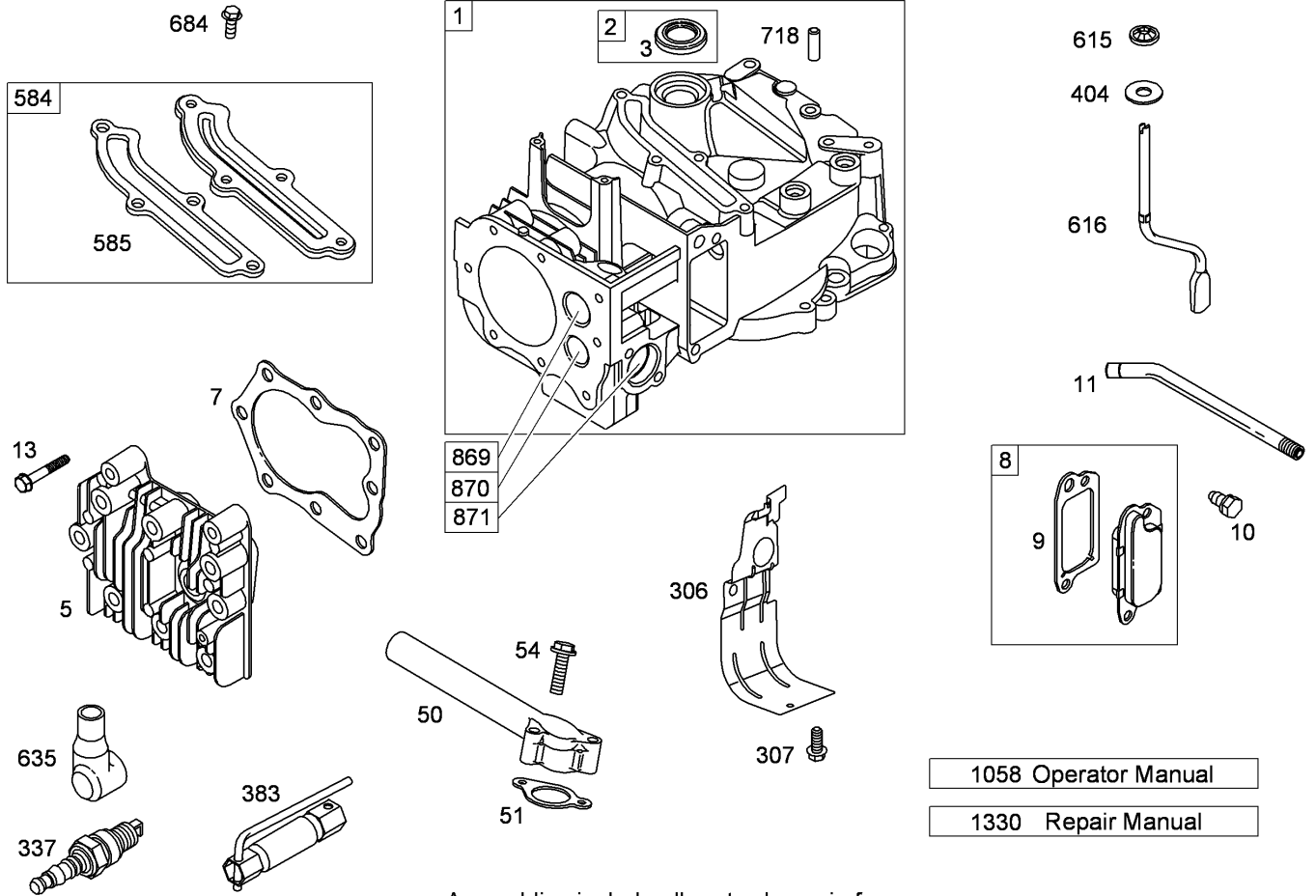
Ref	Part No.	Qty.	Description
1	104-8679-03	1	Bail-Brake
2	104-8678	1	Handle-Control
3	99-1589	1	Lever-Traction
4	99-1588	1	Bar-Control, Traction
5	105-6842	1	Guide-LH
6	108-8157	1	Cable-Brake
7	86-9671	1	Guide-Rope
8	3256-23	1	Washer-Flat
9	105-6841	1	Guide-RH
10	108-8134	1	Decal-Handle
11	321-50	1	Screw-HH
12	99-5239	1	Anchor-Cable
13	3256-1	1	Washer-Flat
14	3296-73	2	Nut-Lock, NI
15	108-8158	1	Cable-Traction
16	115-2860	2	Quick Release ASM
17	115-1958	2	Bolt-Shoulder
18	32144-11	2	Screw-HWHTF
19	104-8690	1	Spring-Torsion
20	115-1300-05	1	Handle
21	114-2671-03	1	Bracket-Handle, LH
22	114-2672-03	1	Bracket-Handle, RH
23	106-6805	1	Guide-Cable
25	115-2884	1	Decal-Instruction

Ref	Part No.	Qty.	Description
26	49-2040	2	Screw-HWHTF
27	112-9972	2	Washer-Conical, Spring
99	614249	3	Strap-Tie



Electrical Assembly

Ref	Part No.	Qty.	Description
1	108-4844	1	Battery Box ASM
3	32144-32	1	Screw
4	700918	1	Key
5	46-5780	1	Switch-Starter
5:1	3254-5	1	Washer-Tooth
5:2	218-461	1	Nut-HH
6	108-9760	1	Mount-Switch
7	114-2625	1	Harness-Wire
8	104-7401	1	Charger-12 Volt
11	104-7953	1	Decal-Harness
12	614249	2	Strap-Tie
13	108-4791	1	Decal-Instructional
14	106-8397	1	Battery-12 Volt
15	107-3774	1	Foam-Battery, Top
16	99-6124	2	Fuse-40 Amp
23	3256-22	2	Washer-Flat



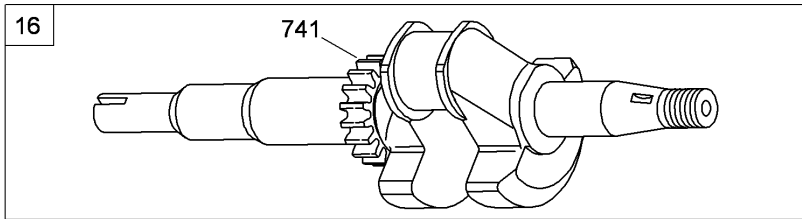
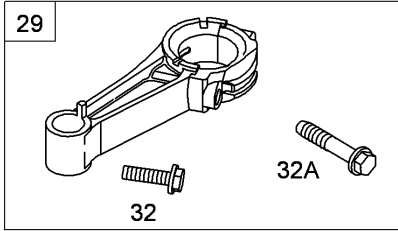
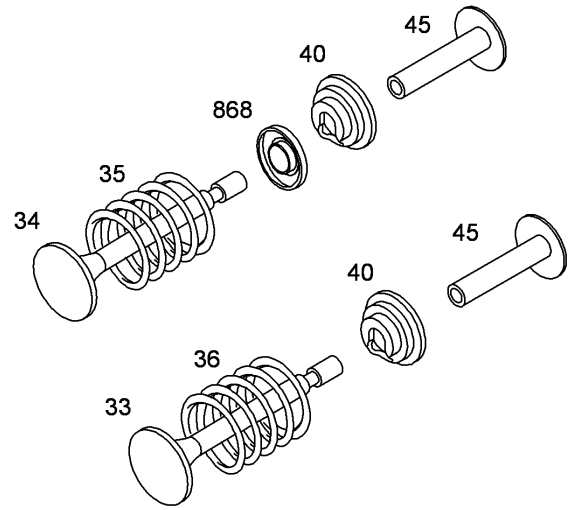
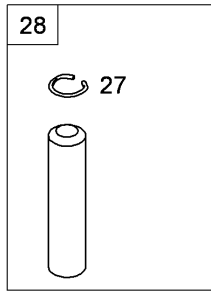
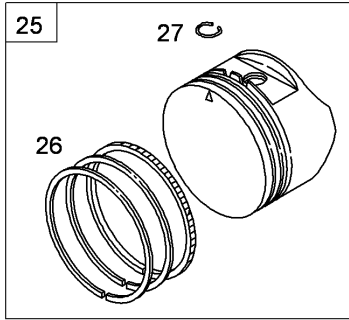
Assemblies include all parts shown in frames

Cylinder Assembly

Briggs and Stratton 126T07-0226-B1

Ref	Part No.	Qty.	Description
1	697322	1	Cylinder ASM
2	399269	1	Bushing And Seal Kit
3	299819s	1	Seal-Oil (Magneto Side)
5	691160	1	Head-Cylinder
7	692249	1	Gasket-Head, Cylinder
8	695250	1	Breather ASM
9	699472	1	Gasket-Breather
10	691125	1	Screw (Breather ASM)
11	691781	1	Tube-Breather
13	690912	1	Screw (Cylinder Head)
50	794305	1	Manifold-Intake
51	794306	1	Gasket-Intake
54	691650	1	Screw (Intake Manifold)
306	790836	1	Shield-Cylinder
307	690345	1	Screw
337	802592s	1	Plug-Spark
383	89838s	1	Wrench-Spark Plug
404	690272	1	Washer (Governor Crank)
584	697734	1	Cover-Passage, Breather
585	691879	1	Gasket-Passage, Breather
615	690340	1	Retainer-Shaft, Governor
616	698801	1	Crank-Governor
635	66538s	1	Boot-Spark Plug
684	690345	1	Screw (Breather Passage Cover)

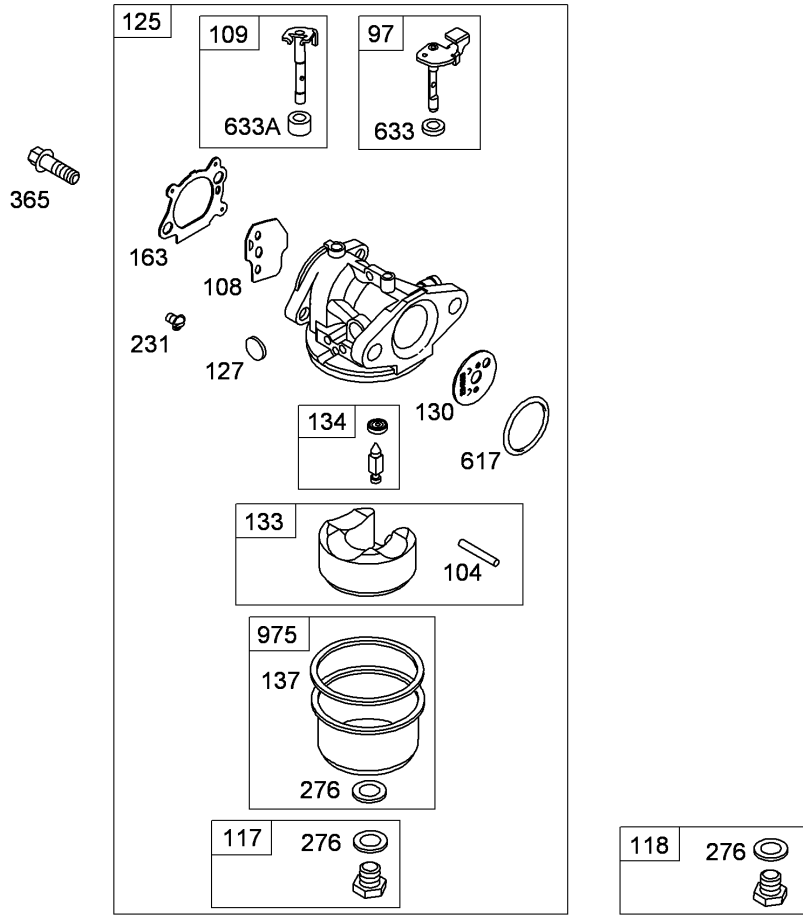
Ref	Part No.	Qty.	Description
718	690959	1	Pin-Locating
869	691155	1	Seat-Valve (Intake)
870	690380	1	Seat-Valve (Exhaust)
871	262001	1	Bushing-Guide (Exhaust)
871	63709	1	Bushing-Guide (Intake)
1058	277039TRI	1	Operator Manual
1330	270962	1	Repair Manual



Assemblies include all parts shown in frames

Crankshaft Assembly Briggs and Stratton 126T07-0226-B1

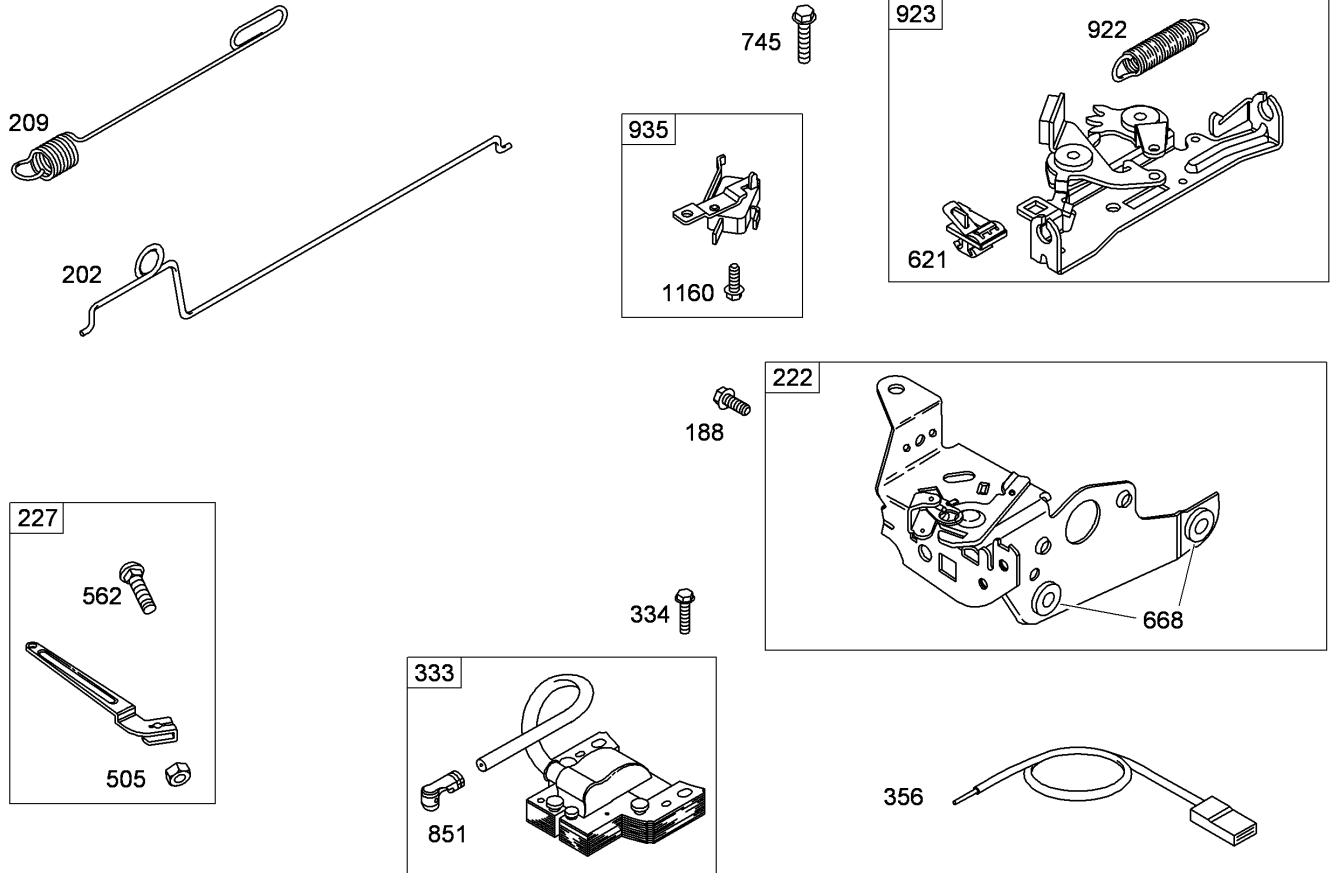
Ref	Part No.	Qty.	Description
16	696009	1	Crankshaft
24	222698s	1	Key-Flywheel
25	795429	1	Piston ASM (Standard)
25	795430	1	Piston ASM (.020 Oversize)
26	795431	1	Ring Set (Standard)
26	795432	1	Ring Set (.020 Oversize)
27	691866	1	Lock-Pin, Piston
28	499423	1	Piston Pin (Standard)
29	499424	1	Connecting Rod (Standard)
32	691664	1	Screw (Connecting Rod)
32A	695759	1	Screw (Connecting Rod)
33	262651s	1	Valve-Exhaust
34	262652s	1	Valve-Intake
35	691270	1	Spring-Valve (Intake)
36	691270	1	Spring-Valve (Exhaust)
40	692194	1	Retainer-Valve
45	690548	1	Tappet-Valve
741	795755	1	Gear-Timing
868	697338	1	Seal-Valve



Assemblies include all parts shown in frames

Carburetor Assembly Briggs and Stratton 126T07-0226-B1

Ref	Part No.	Qty.	Description
③ 97	696565	1	Shaft-Throttle
③ ④ 104	691242	1	Pin-Hinge, Float
③ 108	790844	1	Valve-Choke
③ 109	790843	1	Shaft-Choke
③ 117	691428	1	Jet-Main (Standard)
③ 118	498977	1	Jet-Main (High Altitude)
③ 125	794304	1	Carburetor
③ ④ 127	694468	1	Plug-Welch
③ 130	696564	1	Valve-Throttle
③ 133	398187	1	Float-Carburetor
③ ④ 134	398188	1	Needle And Seat Kit
③ ④ 137	693981	1	Gasket-Bowl, Float
⑤			
③ ④ 163	272653s	1	Gasket-Cleaner, Air
⑤ ⑥			
③ 231	691636	1	Screw (Choke Valve)
③ ④ 276	271716	1	Washer-Sealing
⑤			
③ 365	692524	1	Screw (Carburetor)
③ ④ 617	270344s	1	Seal-O Ring (Intake Manifold)
⑤			
③ ④ 633	691321	1	Seal-Shaft, Choke Throttle
⑤			
③ ④ 633A	693867	1	Seal-Shaft, Choke Throttle
⑤			
③ 975	493640	1	Bowl-Float

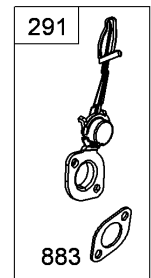
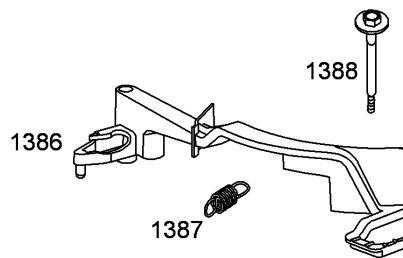
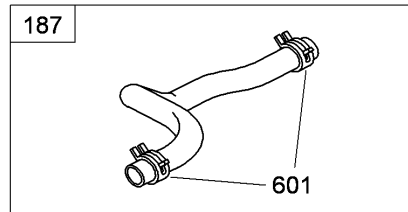
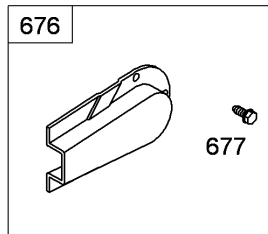
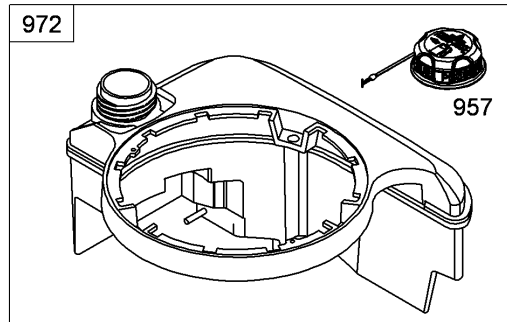
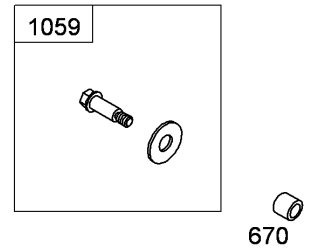
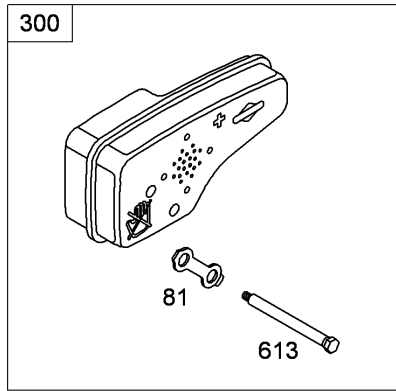


Assemblies include all parts shown in frames

Governor Assembly Briggs and Stratton 126T07-0226-B1

Ref	Part No.	Qty.	Description
● 188	693399	1	Screw (Control Bracket)
● 202	691829	1	Link-Governor, Mechanical
● 209	691292	1	Spring-Governor
● 222	793754	1	Bracket-Control
● 227	690783	1	Lever-Control, Governor
● 333	802574	1	Armature-Magneto
● 334	691061	1	Screw (Magneto Armature)
● 356	692390	1	Wire-Stop
● 505	691251	1	Nut (Governor Control Lever)
● 562	691119	1	Screw (Governor Control Lever)
● 621	692310	1	Switch-Stop
● 668	493823	1	Spacer
● 745	691648	1	Screw (Brake)
● 851	493880s	1	Terminal-Spark Plug
● 922	691831	1	Spring-Brake
● 923	691994	1	Brake ASM
● 935	499421	1	Switch-Interlock
● 1160	691627	1	Screw (Interlock Switch)

--	--	--	--

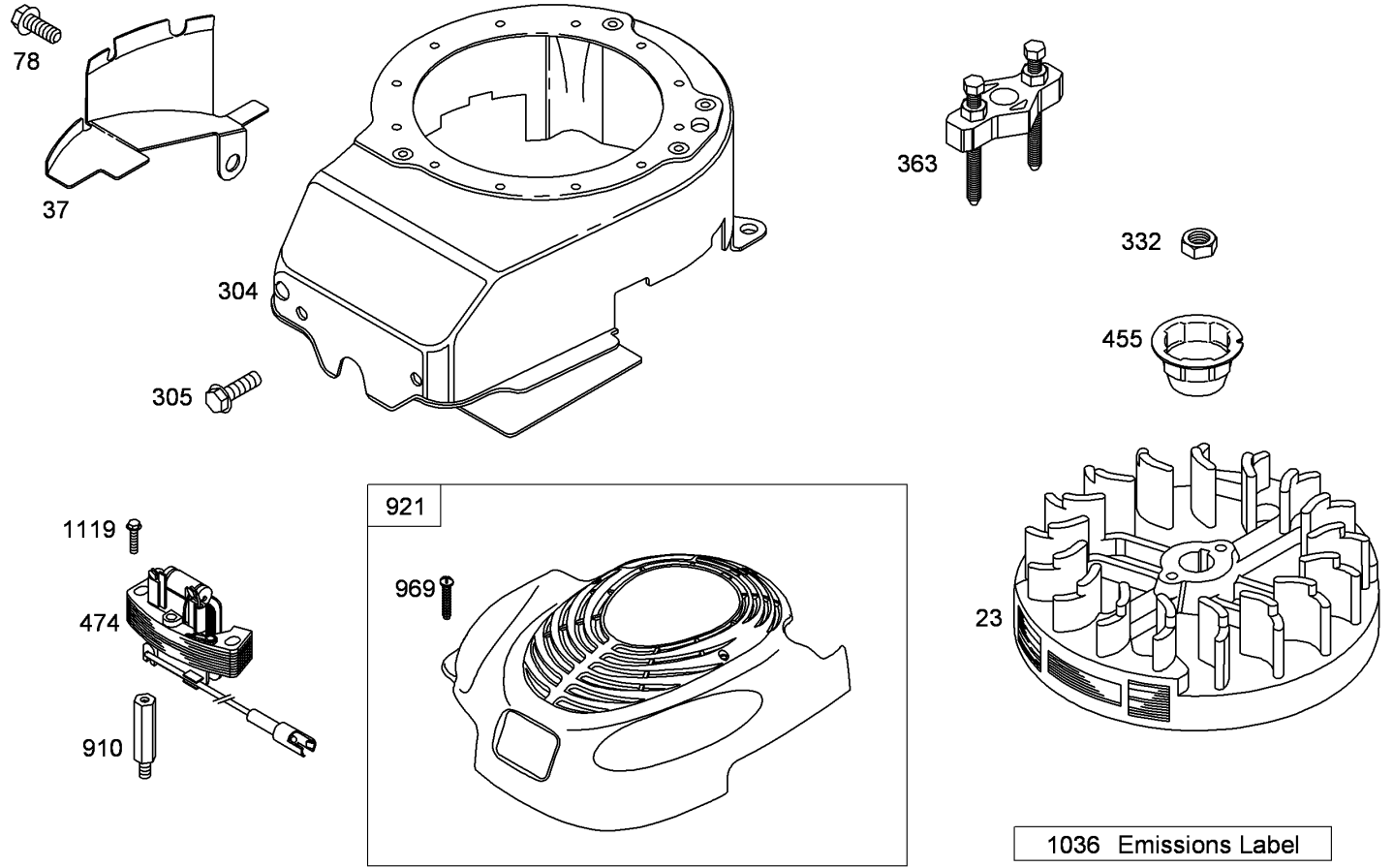


Assemblies include all parts shown in frames

Muffler and Fuel Tank Assembly Briggs and Stratton 126T07-0226-B1

Ref	Part No.	Qty.	Description
81	691740	1	Lock-Screw, Muffler
187	791873	1	Line-Fuel (Molded)
190	690940	1	Screw (Fuel Tank)
291	790830	1	Thermostat
300	790828	1	Muffler
601	791850	1	Clamp-Hose
613	790833	1	Screw (Muffler)
670	692294	1	Spacer-Tank, Fuel
676	493871	1	Deflector-Muffler
677	690661	1	Screw (Muffler Deflector)
883	691881	1	Gasket-Exhaust
957	699985	1	Cap-Tank, Fuel
972	699374	1	Tank-Fuel
1059	692311	1	Screw And Washer Kit
1386	790848	1	Vane-Air
1387	790849	1	Spring-Vane, Air
1388	790850	1	Screw (Air Vane)

--	--	--	--

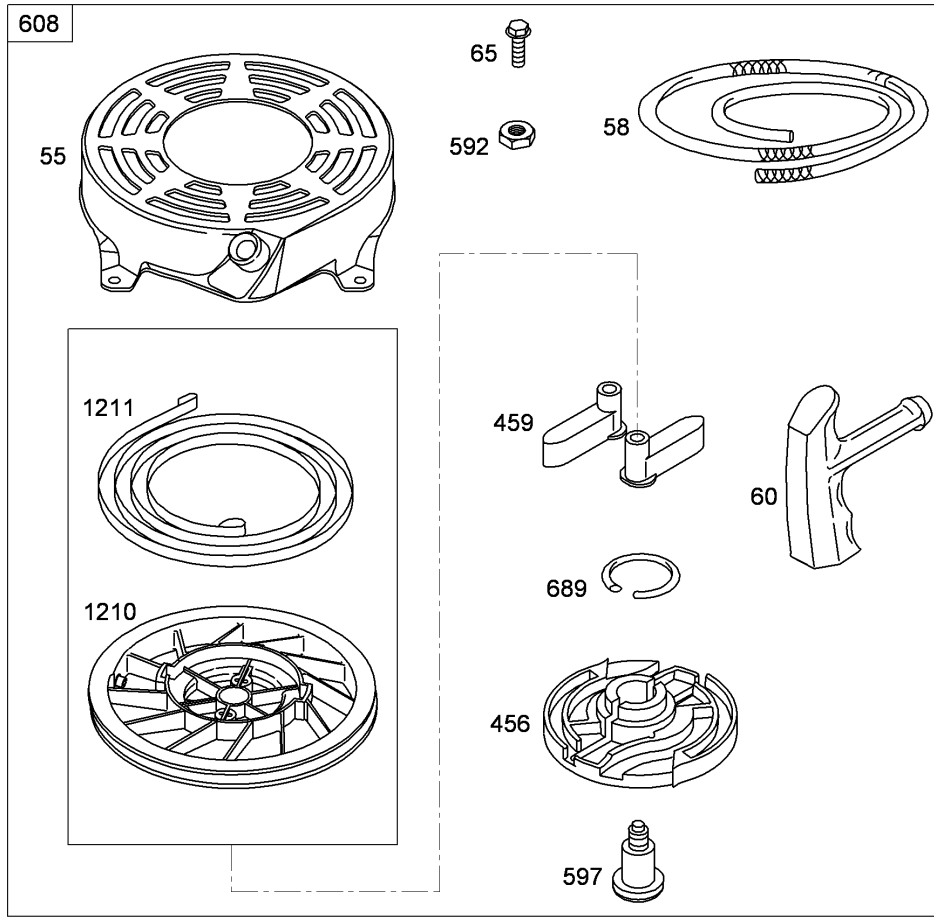


Assemblies include all parts shown in frames

Blower Housing Assembly Briggs and Stratton 126T07-0226-B1

Ref	Part No.	Qty.	Description
23	691987	1	Flywheel
37	694086	1	Guard-Flywheel
78	691108	1	Screw (Flywheel Guard)
304	791135	1	Housing-Blower
305	691108	1	Screw (Blower Housing)
332	690662	1	Nut (Flywheel)
363	19069	1	Puller-Flywheel
455	791960	1	Cup-Flywheel
474	691991	1	Alternator
910	691094	1	Stud (Alternator)
921	790036	1	Cover-Housing, Blower
969	691138	1	Screw (Blower Housing Cover)
1036		1	Label-Emissions
1119	692979	1	Screw (Alternator)

--	--	--	--

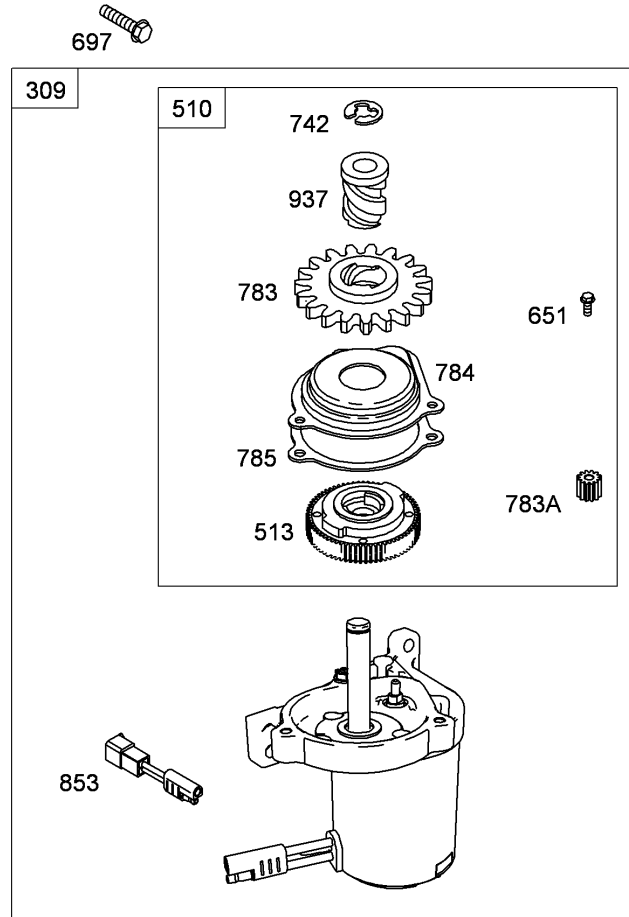


Assemblies include all parts shown in frames

Starter Assembly Briggs and Stratton 126T07-0226-B1

Ref	Part No.	Qty.	Description
● 55	691421	1	Housing-Starter, Rewind
● 58	697316	1	Rope-Starter (Cut To Required Length)
● 60	281434s	1	Grip-Rope, Starter
● 65	690837	1	Screw (Rewind Starter)
● 456	692299	1	Plate-Friction, Pawl
● 459	281505s	1	Ratchet-Pawl
● 592	690800	1	Nut (Rewind Starter)
● 597	691696	1	Screw (Pawl Friction Plate)
● 608	497680	1	Starter-Rewind
● 689	691855	1	Spring-Friction
● 1210	498144	1	Pulley And Spring ASM (Pulley)
● 1211	498144	1	Pulley And Spring ASM (Spring)

--	--	--	--



Assemblies include all parts shown in frames

Electric Starter Assembly Briggs and Stratton 126T07-0226-B1

Ref	Part No.	Qty.	Description				
309	795092	1	Motor-Starter				
510	795093	1	Drive-Starter				
513	795100	1	Clutch-Drive				
651	691660	1	Screw (Starter Gear Cover)				
697	691127	1	Screw (Starter Motor)				
742	795094	1	Retainer-E Ring				
783	795096	1	Gear-Pinion				
783A	795099	1	Gear-Pinion				
784	795095	1	Cover-Starter Gear				
785	795097	1	Gasket-Starter Cover				
853	695268	1	Adapter-Wire				
937	795098	1	Spline-Starter				

Attachments and Accessories

For 20095 - Super Recycler Lawn Mower

Product Name	Model/Part
Bagging Blade	108-3759-03
Traction Assist Handle Kit	108-8120
Toro Walk Mower Cover	490-7462
Plain Walk Mower Cover	490-7463
Dethatcher Kit	59131

NOTES

NOTES

