



53cm Super Recycler[®] Lawn Mower

Model No. 20792 - 280000001 and up.

Parts Catalog

Ordering Replacement Parts

To order replacement parts, please supply the part number, the quantity, and the description of each part desired.

Understanding Reference Numbers

Each identified part in an illustration has a reference number. The reference number for a part also appears in the parts list, along with other information about the part.

This catalog uses two special reference number formats, one to indicate parts in a service assembly and another to indicate the quantity of a given part in an illustration.

Service Assembly Reference Numbers

Parts in service assemblies have reference numbers in the form a:b. The a represents the reference number of the entire service assembly and the b represents a sequential number unique to each part within the service assembly.

For example, a wheel assembly might be identified by reference number 6, the tire by 6:1, the valve by 6:2, and the wheel by 6:3. When you order the assembly identified by reference number 6, you receive all parts identified by reference numbers 6:1, 6:2, and 6:3. However, you may also order any part individually. Reference numbers of this type appear in illustrations and in part lists.

Reference Numbers Indicating Quantity

In an illustration, if a reference number indicates more than one part, the reference number has the form nX y. The n represents the quantity of the part, the X is the multiplication symbol, and the y represents the reference number.

For example, in an illustration, the reference number 2X 37 means that two of the parts identified by reference number 37 are indicated.

Contents

Description	Page	Description	Page
Housing Assembly 3	Carburetor Assembly Briggs and Stratton 126T02-0233-B1 15
Discharge Door Assembly No. 107-3717 4	Air Cleaner Assembly Briggs and Stratton 126T02-0233-B1 16
Housing Assembly No. 115-2855 5	Governor Assembly Briggs and Stratton 126T02-0233-B1 17
Height-of-Cut Assembly 6	Muffler and Fuel Tank Assembly Briggs and Stratton 126T02-0233-B1 18
Rear Wheel and Gear Case Assembly 7	Blower Housing Assembly Briggs and Stratton 126T02-0233-B1 19
Gear Case Assembly No. 108-8140 8	Starter Assembly Briggs and Stratton 126T02- 0233-B1 20
Engine Assembly 9	Engine Gasket Set Briggs and Stratton 126T02-0233-B1 21
Handle Assembly 10	Carburetor Overhaul Kit Briggs and Stratton 126T02-0233-B1 22
Bag Assembly 11	Attachments and Accessories List 23
Cylinder Assembly Briggs and Stratton 126T02-0233-B1 12		
Crankshaft Assembly Briggs and Stratton 126T02-0233-B1 13		
Crankcase Assembly Briggs and Stratton 126T02-0233-B1 14		

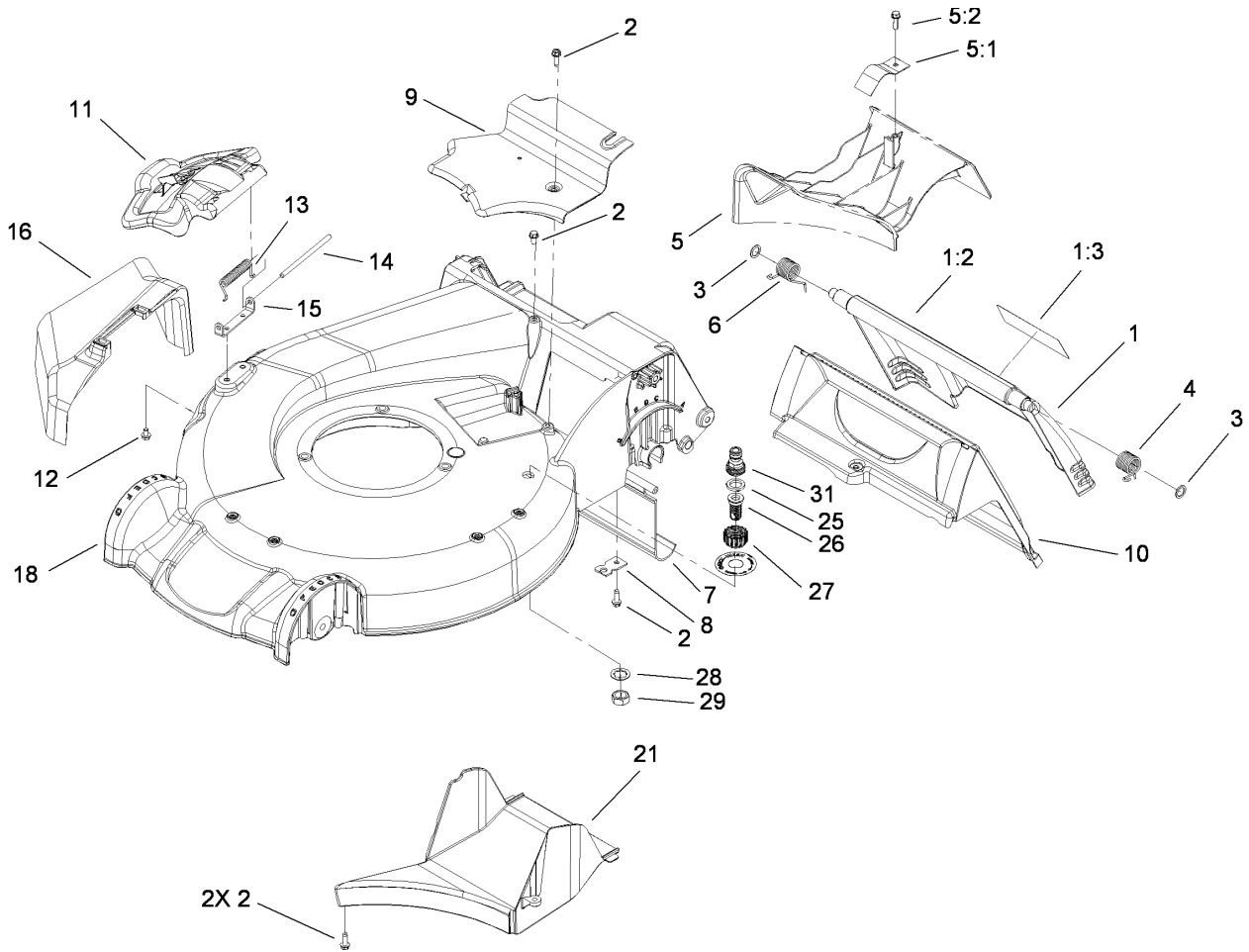
Part Description Abbreviations

Part descriptions in this catalog may include the following abbreviations.

AR. as required	HYD. hydraulic
ASM. assembly	LH. left hand
BBC. blade brake clutch	NI. nylon insert
CARR. carriage	NPTF. national pipe thread fine
DEG. degrees	PFH. phillips flat head
EXT. external	PPH. phillips pan head
FH. flat head	PPHTF. phillips pan head thread forming
GA. gauge	PRH. phillips round head
HD. heavy-duty	PTH. phillips truss head
HF. hex flange	PTO. power-take-off
HH. hex head	RH. right hand
HHF. hex head flange	ROPS. roll-over protection system
HHFTF. hex head flange thread forming	SFH. slotted fillister head
HJ. hex jam	SHH. slotted hex head
HLH. hex lag head	SHWH. slotted hex washer head
HOC. height-of-cut	SPH. slotted pan head
HSBH. hex socket button head	SQH. square head
HSFH. hex socket flat head	SRH. slotted round head
HSH. hex socket head	STD. standard
HWH. hex washer head	TAP. self tapping
HWHTF. hex washer head thread forming	TTH. torx truss head

Footnotes

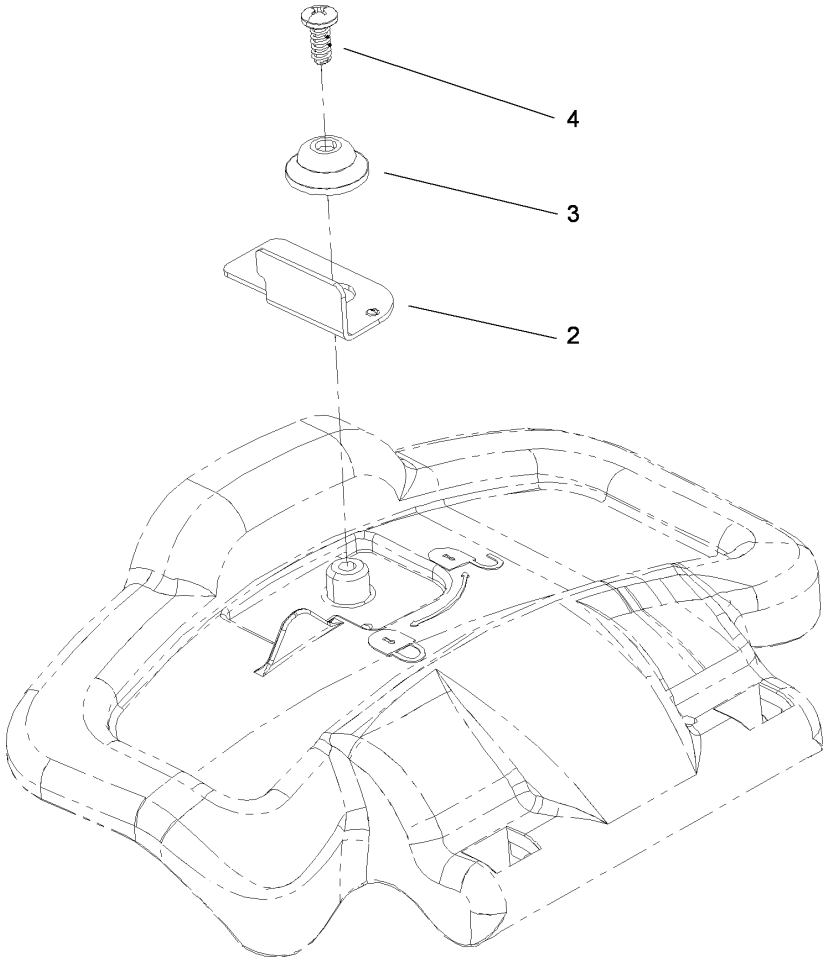
- | | |
|---|--|
| ❶ Not illustrated | ❷ Not serviced separately |
| ❸ Obtain from your local Briggs & Stratton dealer | ❹ Included in Carburetor Overhaul Kit (Ref. No. 121) |
| ❺ Included in Engine Gasket Set (Ref. No. 358) | ❻ Included in Carburetor Gasket Set (Ref. No. 977) |



Housing Assembly

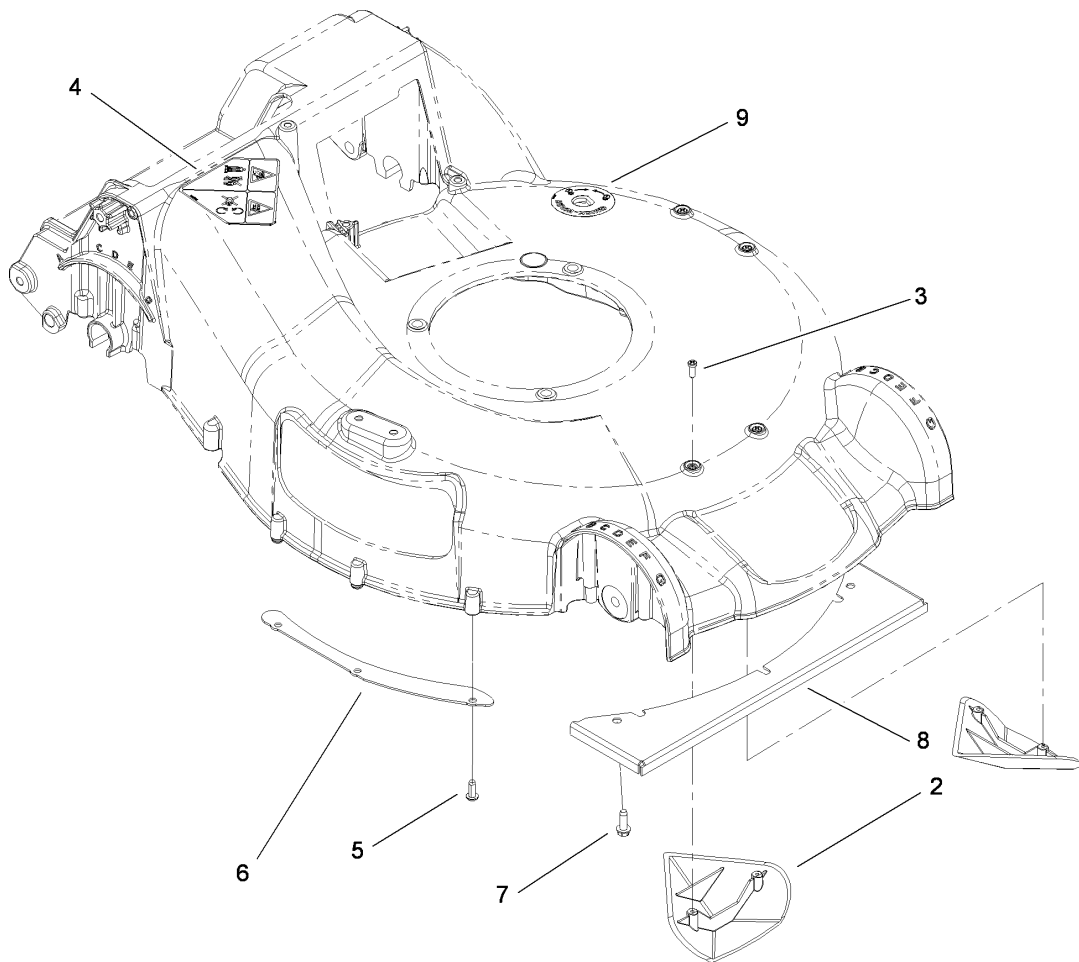
Ref	Part No.	Qty.	Description
1	115-2856	1	Rear Door ASM
1:2	114-7982	1	Decal-Warning
1:3	104-7908	1	Decal-Warning
2	49-2040	5	Screw-HWHTF
3	94-8196	2	Washer-Nylon
4	115-2859	1	Spring-Torsion
5	115-4656	1	Plug-Mulch ASM
5:1	115-4655	1	Tab-Spring
5:2	46-8091	1	Screw-HWH
6	114-7924	1	Spring-Torsion
7	114-1586	1	Shield-Trailing
8	107-7497	1	Bracket-Cable, Traction
9	107-7494	1	Cover-Belt
10	114-2668	1	Chute
11	107-3717	1	Discharge Door ASM
12	99-8445	2	Screw-HWH
13	99-5293	1	Spring-Torsion
14	99-5291	1	Rod-Cover
15	112-6416	1	Bracket-Cover
16	108-3753	1	Chute-Discharge, Side
18	115-2855	1	Housing ASM
21	107-7495	1	Tunnel-Discharge
25	112-6438	1	Washer-Seal, Washout Port
26	112-6400	1	Port-Washout

Ref	Part No.	Qty.	Description
27	112-6401	1	Coupling-Hose, Washout Port
28	3254-5	1	Washer-Tooth
29	3218-6	1	Nut-Jam
31	112-6437	1	Adapter-Quick Connect



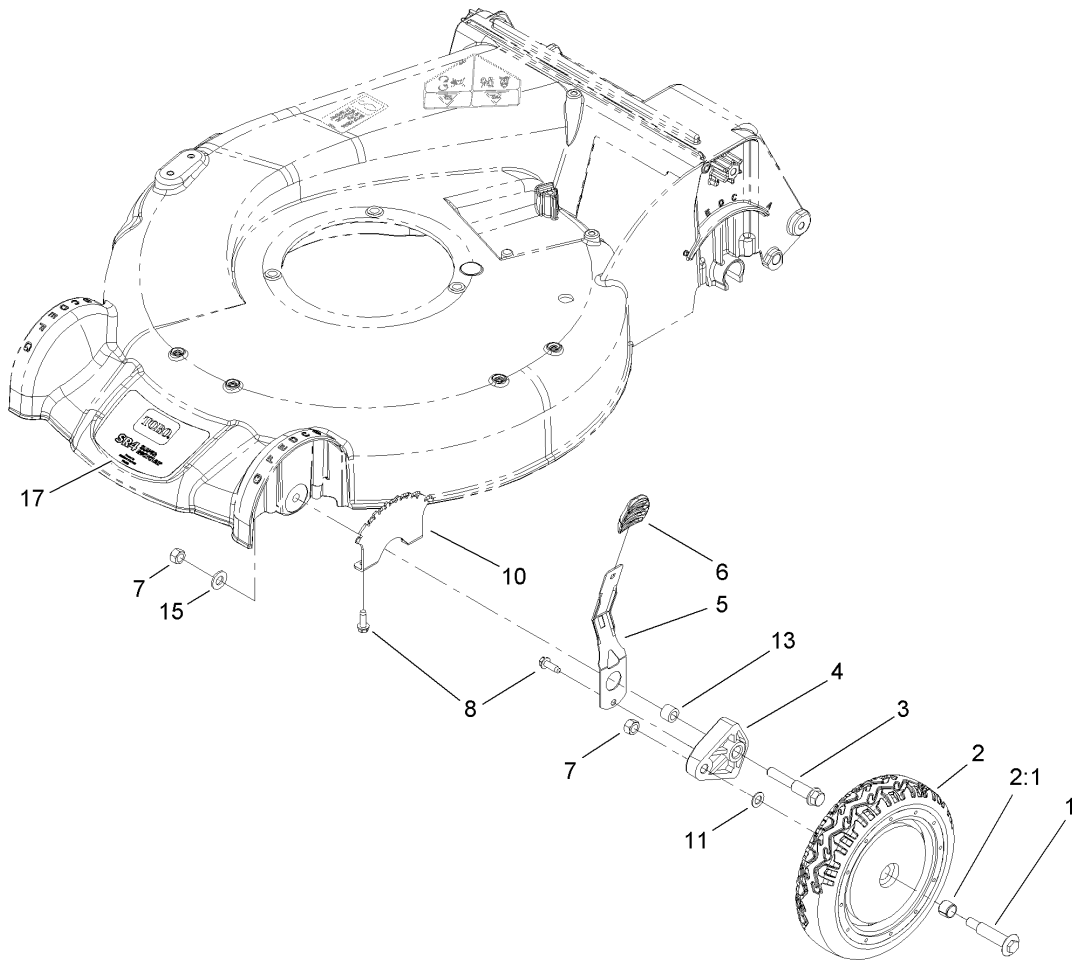
Discharge Door Assembly No. 107-3717

Ref	Part No.	Qty.	Description				
2	107-0795	1	Latch-Door				
3	107-7456	1	Cap-Door				
4	107-7461	1	Screw-Plastite				



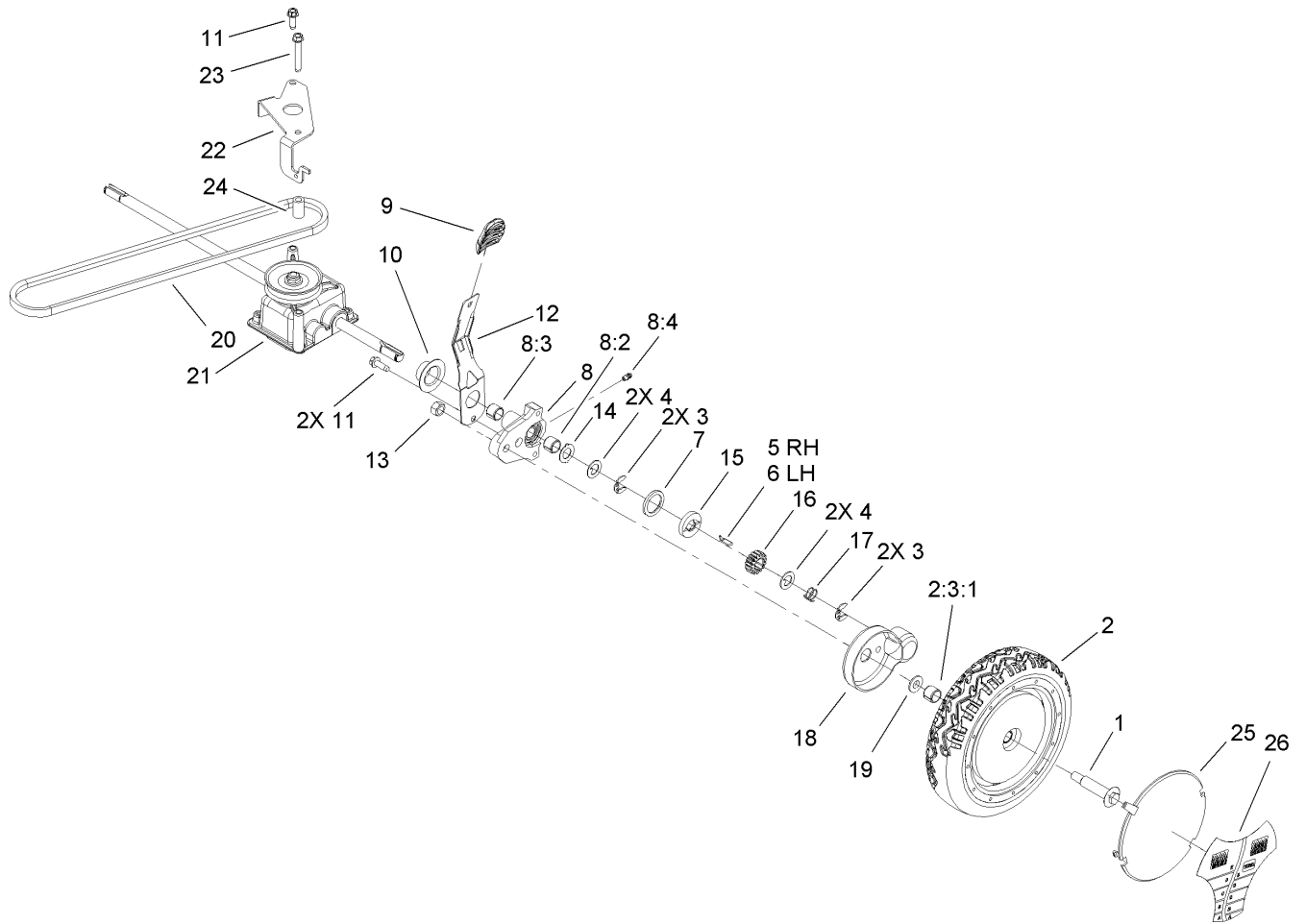
Housing Assembly No. 115-2855

Ref	Part No.	Qty.	Description				
2	108-3798	2	Kicker-Housing				
3	32144-111	4	Screw-PPH				
4	112-8760	1	Decal-Danger				
5	63-8590	3	Screw				
6	105-1316-03	1	Sheet-Lip				
7	49-2040	3	Screw-HWHTF				
8	108-3797-03	1	Plate-Cover, Front				
9	112-8867	1	Decal				



Height-of-Cut Assembly

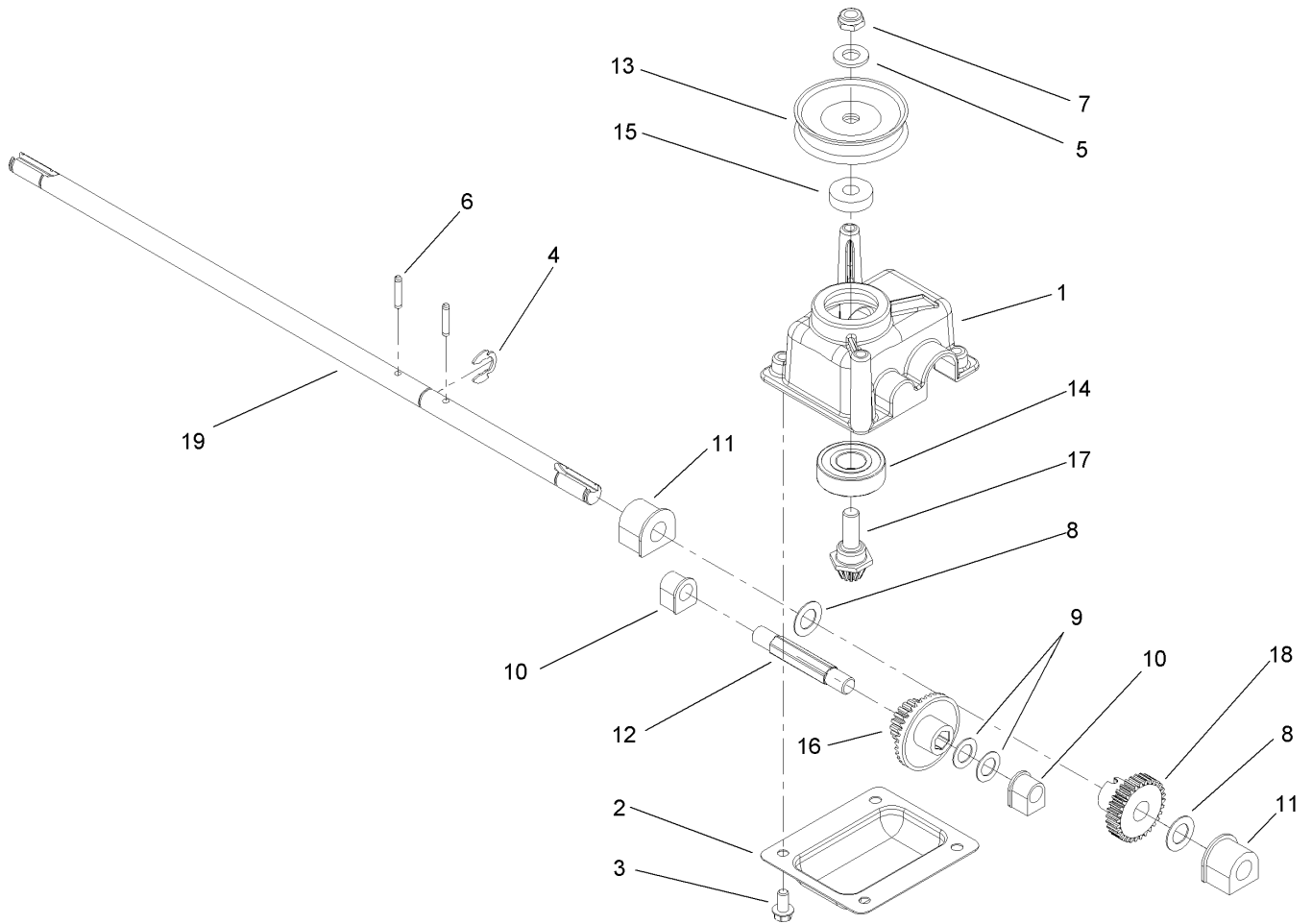
Ref	Part No.	Qty.	Description
1	92-1057	2	Bolt-Shoulder
2	107-3706	2	8 Inch Wheel ASM
2:1	27-6250	2	Bushing
3	107-7498	2	Screw-Shoulder, HOC
4	107-7492	2	Arm-Pivot
5	107-7491	2	Arm-Spring
6	105-3042	2	Knob-Lever, HOC
7	603773	4	Nut
8	49-2040	13	Screw-HWHTF
10	107-7478	4	Plate-HOC
11	40-1940	2	Washer
13	52-2480	2	Spacer-Wheel
15	3256-24	2	Washer-Flat
17	114-2608	1	Decal-Housing



Rear Wheel and Gear Case Assembly

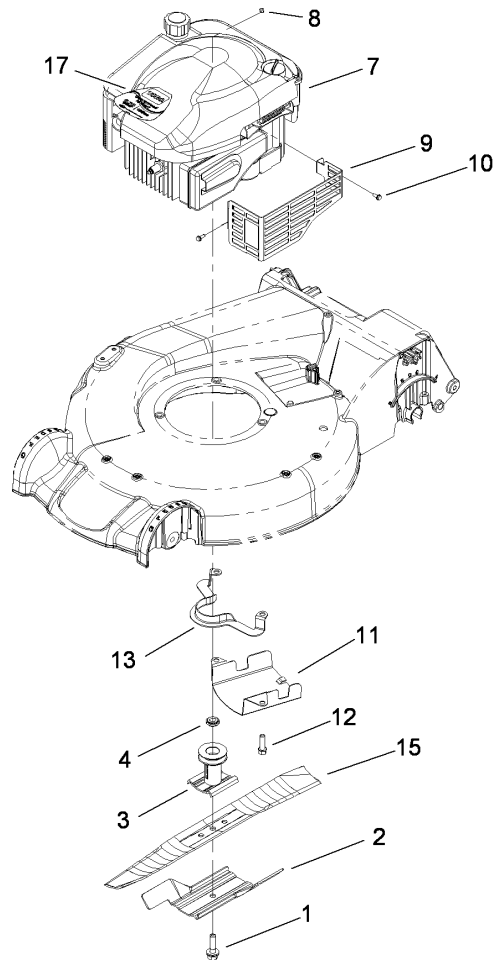
Ref	Part No.	Qty.	Description
1	92-1057	2	Bolt-Shoulder
2	107-3707	2	Wheel Gear ASM
1 2 2:3		1	8 Inch Wheel ASM
2:3:1	27-6250	2	Bushing
3	65-2720	4	Ring-Clip, Locking
4	65-4740	4	Washer-Thrust, Keyed
5	66-6040	1	Key-Rocking, RH
6	66-6050	1	Key-Rocking, LH
7	65-4710	2	Ring-Friction
8	100-8774	2	Pivot Arm ASM
8:2	47-2900	1	Bushing
8:3	70-9760	1	Bushing
8:4	302-56	1	Fitting-Grease
9	105-3042	2	Knob-Lever, HOC
10	42-3520	2	Cap-End
11	49-2040	3	Screw-HWHTF
12	107-7491	2	Arm-Spring
13	603773	2	Nut
14	65-4730	2	Washer-Arm, Pivot
15	65-4760	2	Washer-Clutch
16	65-4750	2	Gear-Pinion
17	65-4720	2	Spring-Compression
18	74-1660	2	Cover-Wheel
19	74-1671	2	Spacer-Cover, Wheel

Ref	Part No.	Qty.	Description
20	99-1597	1	V-Belt
21	108-8140	1	Gear Case ASM
22	107-7483-03	1	Bracket-Gearbox
23	92-1616	1	Screw-HWHTF
24	614673	1	Bushing-Plate, Actuator
25	100-6351	1	Cover-Wheel
26	100-1519	1	Label-Wheel, Smart



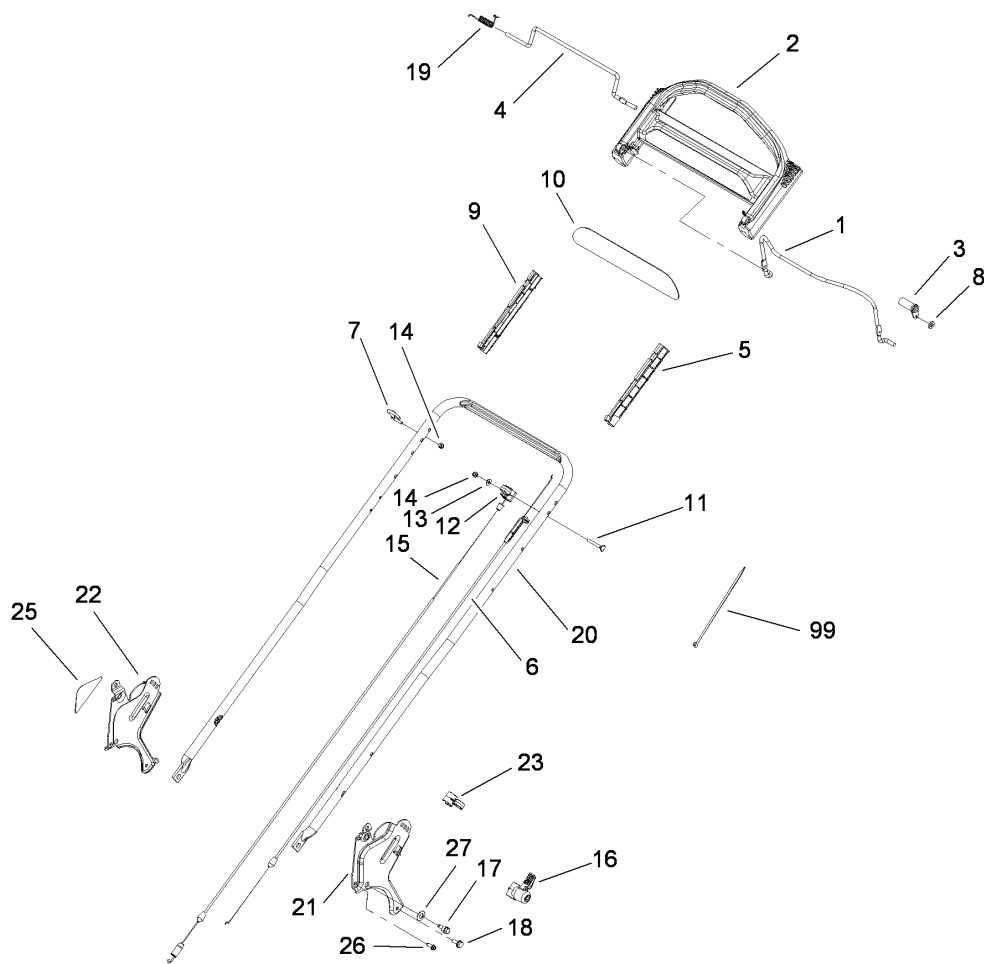
Gear Case Assembly No. 108-8140

Ref	Part No.	Qty.	Description
1	104-7619	1	Case-Gear
2	614668-03	1	Cover-Case, Gear
3	32144-4	4	Screw-HWH
4	32151-68	1	Ring-Retaining
5	3256-24	1	Washer-Flat
6	3285-19	2	Pin-Groove
7	3296-5	1	Nut-Lock
8	36-4780	2	Washer-Plain
9	36-4791	2	Washer-Thrust
10	60-8750	2	Bushing
11	60-8850	2	Bushing
12	614696	1	Shaft-Intermediate
13	100-1176	2	Pulley-Half
14	100-1048	1	Bearing-Ball
15	62-6660	1	Spacer
16	104-1005	1	Gear-19T Spur, 37T Bevel
17	104-7667	1	Gear-Pinion, Bevel
18	104-1004	1	Gear-30T
19	108-8141	1	Shaft-Output



Engine Assembly

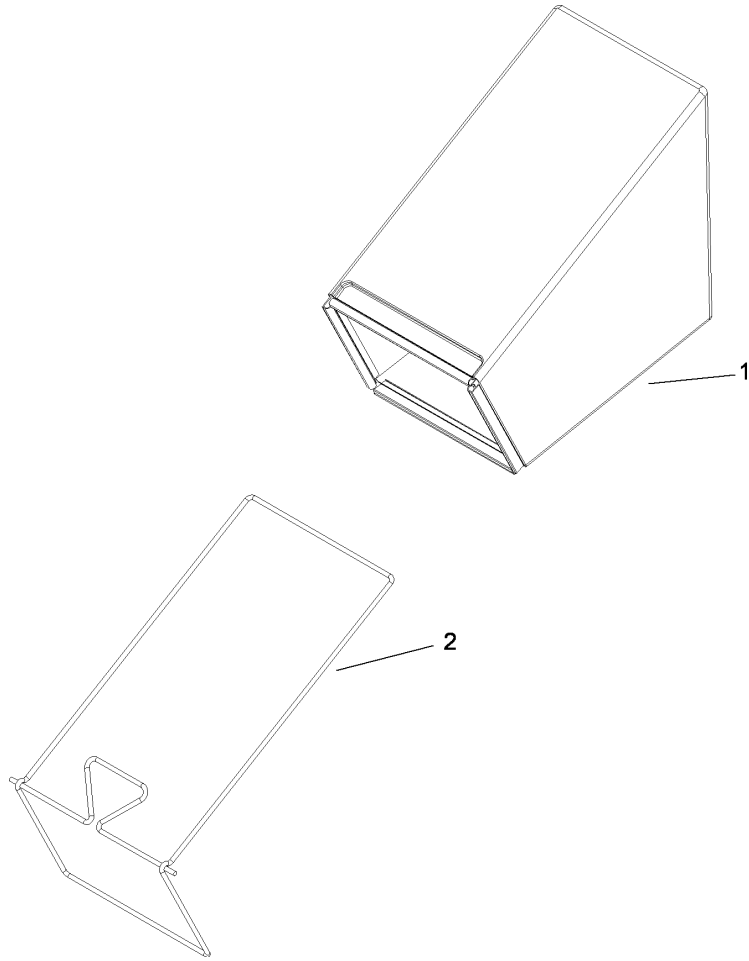
Ref	Part No.	Qty.	Description				
1	105-8579	1	Bolt-Blade				
2	105-6848-03	1	Accelerator-Blade				
3	106-3987	1	Blade Driver ASM				
4	106-3999	1	Spacer-Driver				
2 57		1	Engine-Briggs And Stratton, 126T02-0233-B1				
8	2210-316	1	Stop-Rope				
9	104-7577-03	1	Shield-Muffler				
10	32144-1	3	Screw-Taptite				
11	107-7489-03	1	Shield-Grass				
12	95-1727	3	Screw-Taptite				
13	108-8110-03	1	Guide-Belt				
15	108-3762-03	1	Blade-Recycling				
17	115-4654	1	Decal-Shroud				



Handle Assembly

Ref	Part No.	Qty.	Description
1	104-8679-03	1	Bail-Brake
2	104-8678	1	Handle-Control
3	99-1589	1	Lever-Traction
4	99-1588	1	Bar-Control, Traction
5	105-6842	1	Guide-LH
6	108-8157	1	Cable-Brake
7	86-9671	1	Guide-Rope
8	3256-23	1	Washer-Flat
9	105-6841	1	Guide-RH
10	110-7056	1	Decal-Ads, Handle
11	95-4453	1	Screw
12	99-5239	1	Anchor-Cable
13	3256-1	1	Washer-Flat
14	3296-73	2	Nut-Lock, NI
15	108-8158	1	Cable-Traction
16	115-2860	2	Quick Release ASM
17	115-1958	2	Bolt-Shoulder
18	32144-11	2	Screw-HWHTF
19	104-8690	1	Spring-Torsion
20	115-1300-05	1	Handle
21	114-2671-03	1	Bracket-Handle, LH
22	114-2672-03	1	Bracket-Handle, RH
23	106-6805	1	Guide-Cable
25	115-2884	1	Decal-Instruction

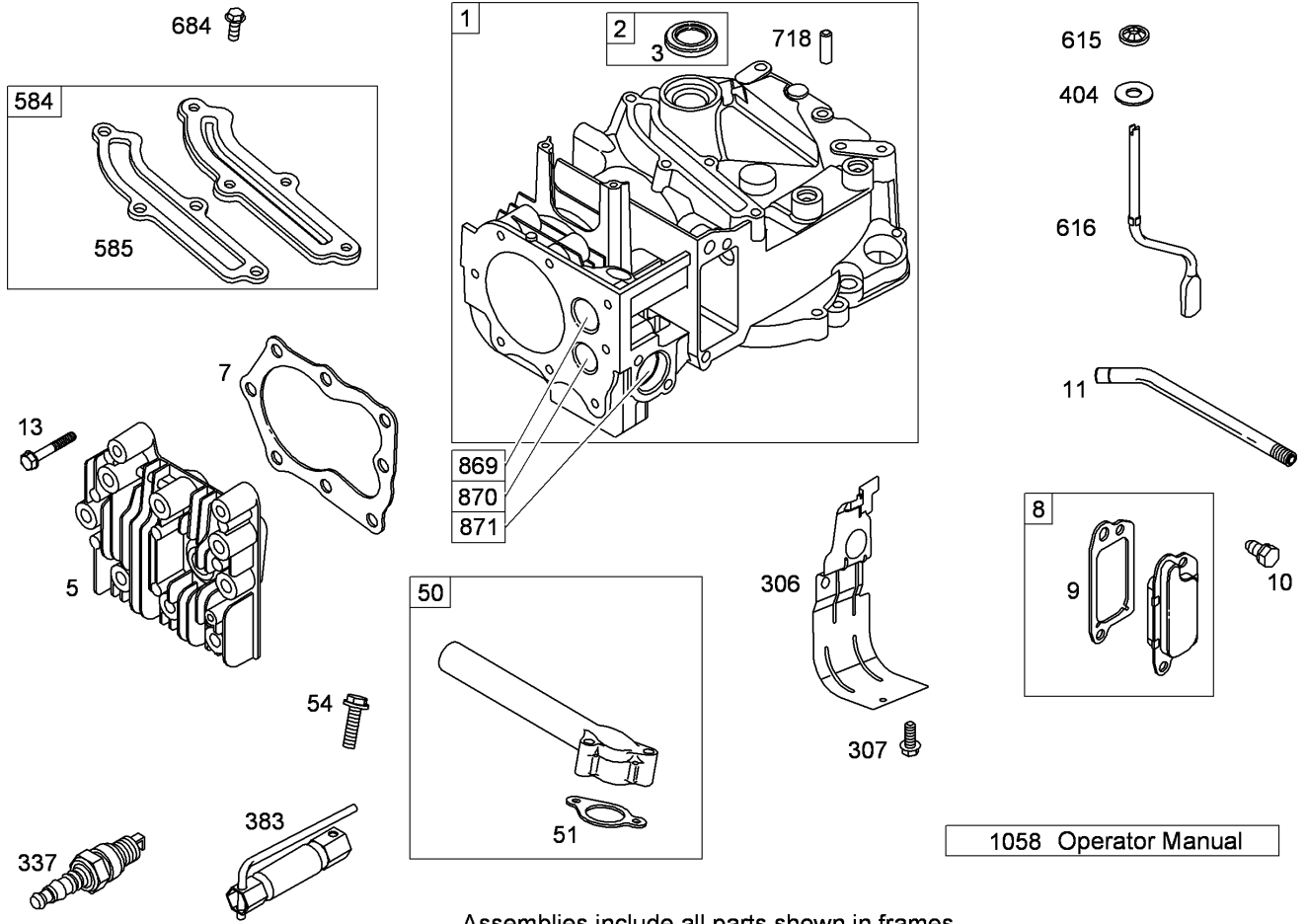
Ref	Part No.	Qty.	Description
26	49-2040	2	Screw-HWHTF
27	112-9972	2	Washer-Conical, Spring
99	614249	3	Strap-Tie



Bag Assembly

Ref	Part No.	Qty.	Description
1	114-2664	1	Grass Bag ASM
2	114-2679-03	1	Bag Frame ASM

|--|--|--|--|

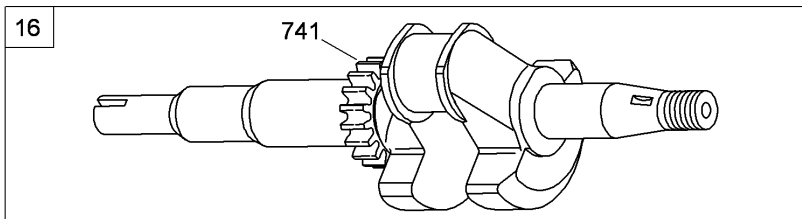
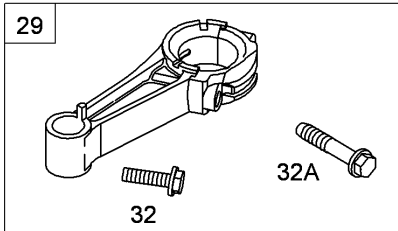
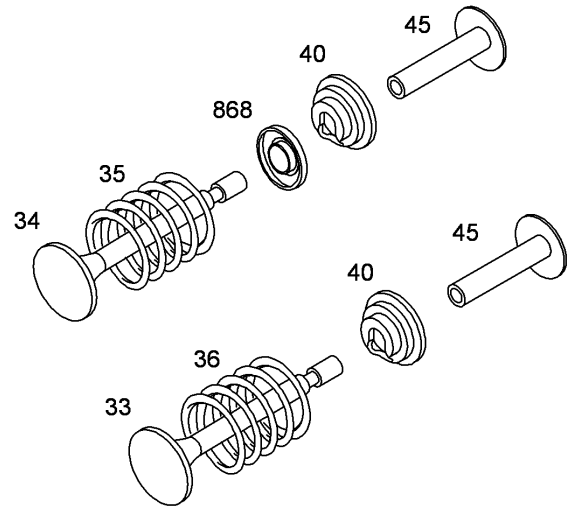
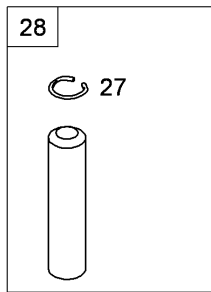
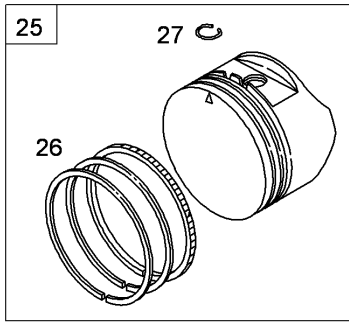


Assemblies include all parts shown in frames

Cylinder Assembly Briggs and Stratton 126T02-0233-B1

Ref	Part No.	Qty.	Description
1	697322	1	Cylinder ASM
2	399269	1	Bushing And Seal Kit
3	299819s	1	Seal-Oil (Magneto Side)
5	691160	1	Head-Cylinder
7	692249	1	Gasket-Head, Cylinder
8	695250	1	Breather ASM
9	696125	1	Gasket-Breather
10	691125	1	Screw (Breather Assembly)
11	691781	1	Tube-Breather
13	690912	1	Screw (Cylinder Head)
50	794305	1	Manifold-Intake
51	794306	1	Gasket-Intake
54	691650	1	Screw (Intake Manifold)
306	790836	1	Shield-Cylinder
307	690345	1	Screw (Cylinder Shield)
337	802592s	1	Plug-Spark
383	89838s	1	Wrench-Spark Plug
404	690272	1	Washer (Governor Crank)
584	697734	1	Cover-Passage, Breather
585	691879	1	Gasket-Passage, Breather
615	690340	1	Retainer-Shaft, Governor
616	698801	1	Crank-Governor
684	690345	1	Screw (Breather Passage Cover)
718	690959	1	Pin-Locating

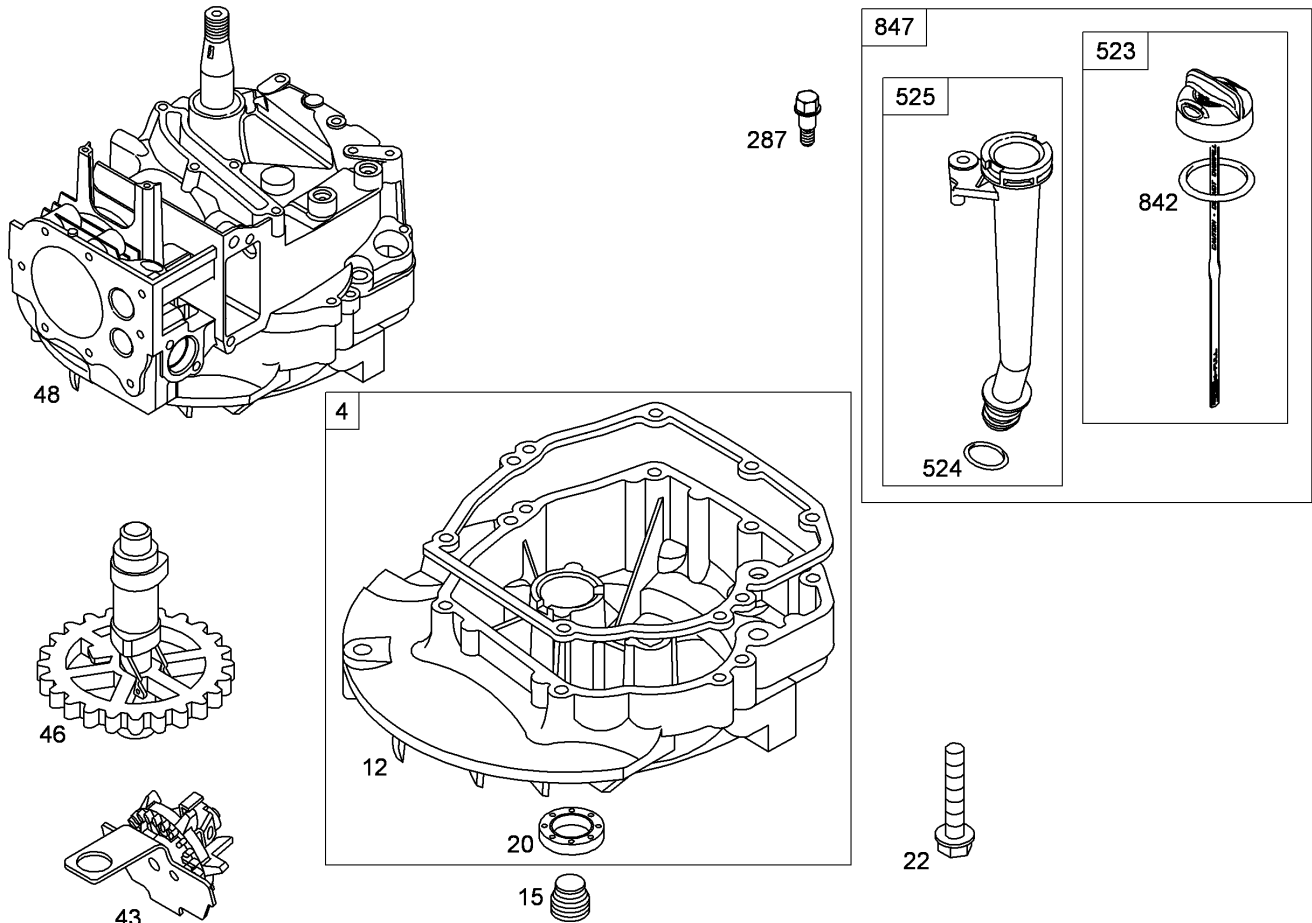
Ref	Part No.	Qty.	Description
869	691155	1	Seat-Valve (Intake)
870	690380	1	Seat-Valve (Exhaust)
871	262001	1	Bushing-Guide (Exhaust)
871	63709	1	Bushing-Guide (Intake)
1058	MS3262	1	Operator Manual



Assemblies include all parts shown in frames

Crankshaft Assembly Briggs and Stratton 126T02-0233-B1

Ref	Part No.	Qty.	Description
16	696009	1	Crankshaft
24	222698s	1	Key-Flywheel
25	795429	1	Piston ASM (Standard)
25	795430	1	Piston ASM (.020 Oversize)
26	795431	1	Ring Set (Standard)
26	795432	1	Ring Set (.020 Oversize)
27	691866	1	Lock-Pin, Piston
28	499423	1	Pin-Piston
29	499424	1	Rod-Connecting
32	691664	1	Screw (Connecting Rod)
32A	695759	1	Screw (Connecting Rod)
33	262651s	1	Valve-Exhaust
34	262652s	1	Valve-Intake
35	691270	1	Spring-Valve (Intake)
36	691270	1	Spring-Valve (Exhaust)
40	692194	1	Retainer-Valve
45	690548	1	Tappet-Valve
741	794388	1	Gear-Timing
868	697338	1	Seal-Valve

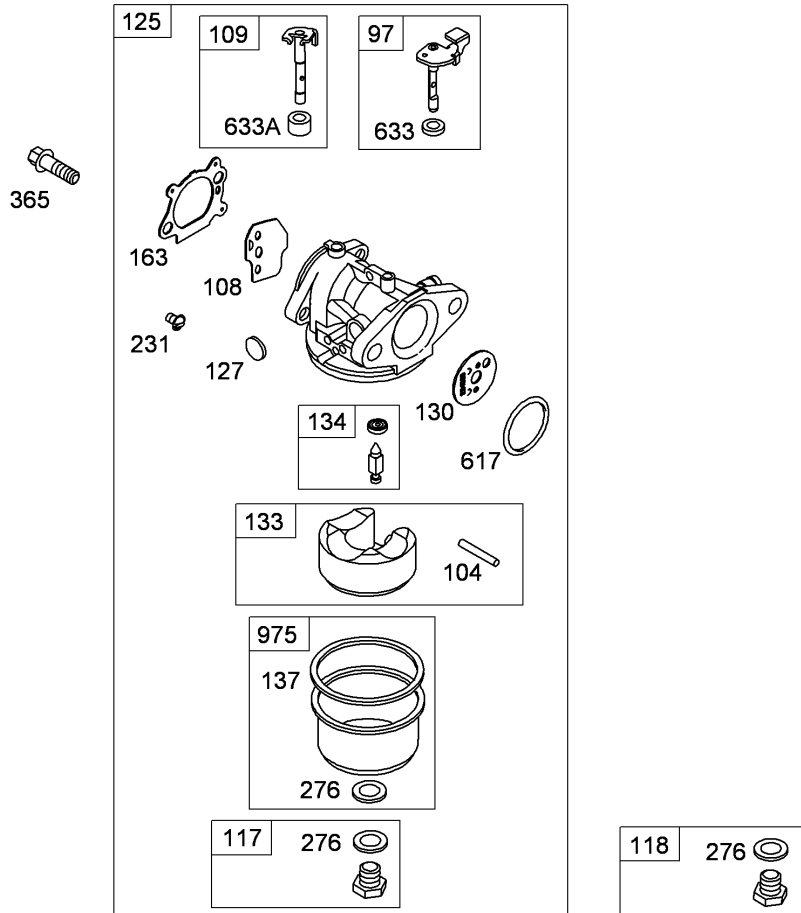


Assemblies include all parts shown in frames

Crankcase Assembly

Briggs and Stratton 126T02-0233-B1

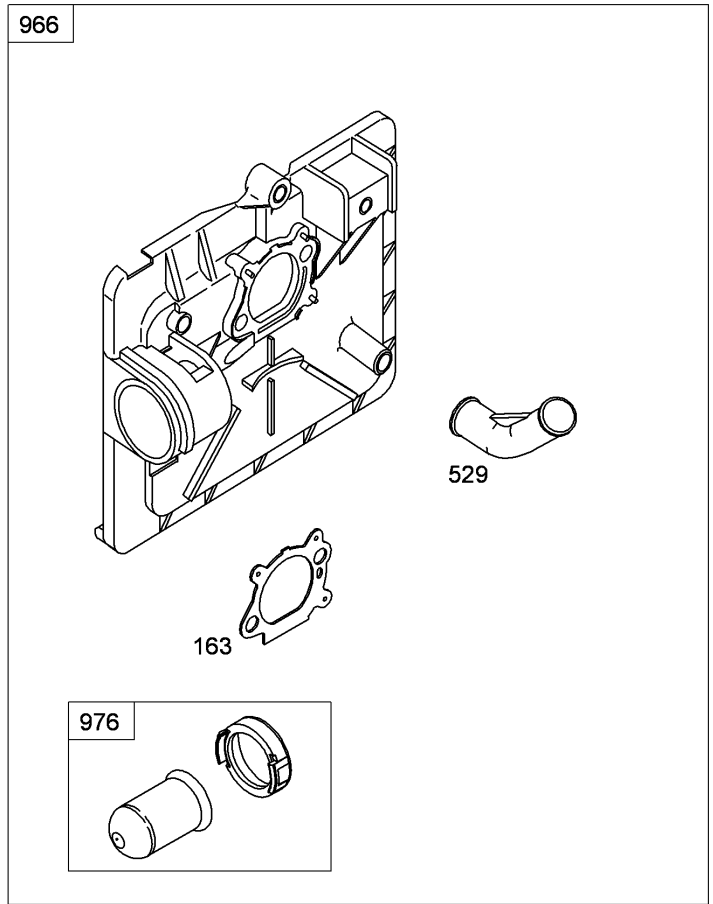
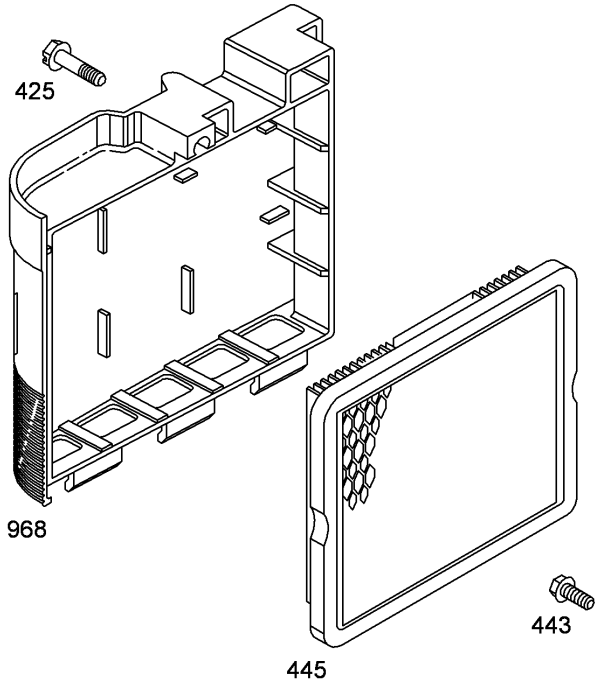
Ref	Part No.	Qty.	Description
4	493279	1	Sump-Engine
12	692232	1	Gasket-Crankcase (.015 STD)
15	691680	1	Plug-Drain, Oil
20	399781s	1	Seal-Oil (PTO Side)
22	691092	1	Screw (Engine Sump)
43	691997	1	Slinger-Oil, Governor
46	691449	1	Camshaft
48	792742	1	Block-Short
287	690940	1	Screw (Dipstick Tube)
523	499621	1	Dipstick
524	692296	1	Seal-O Ring (Dipstick Tube)
525	495265	1	Tube-Dipstick
842	691031	1	Seal-O Ring (Dipstick Tube)
847	692047	1	Dipstick Tube ASM



Assemblies include all parts shown in frames

Carburetor Assembly Briggs and Stratton 126T02-0233-B1

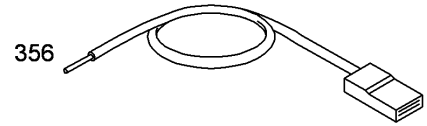
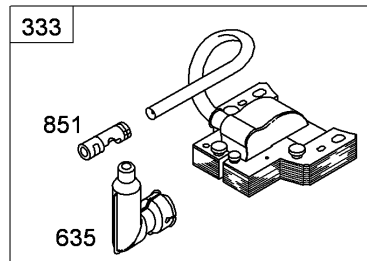
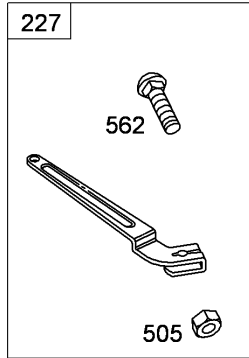
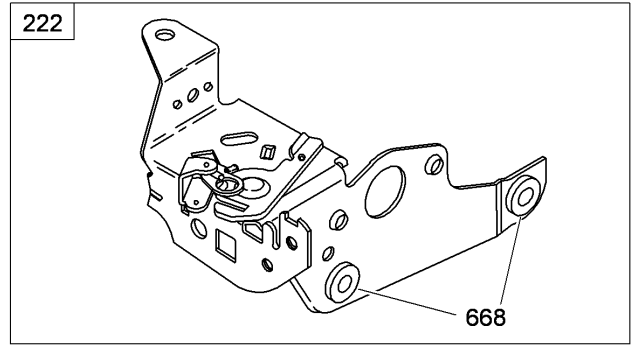
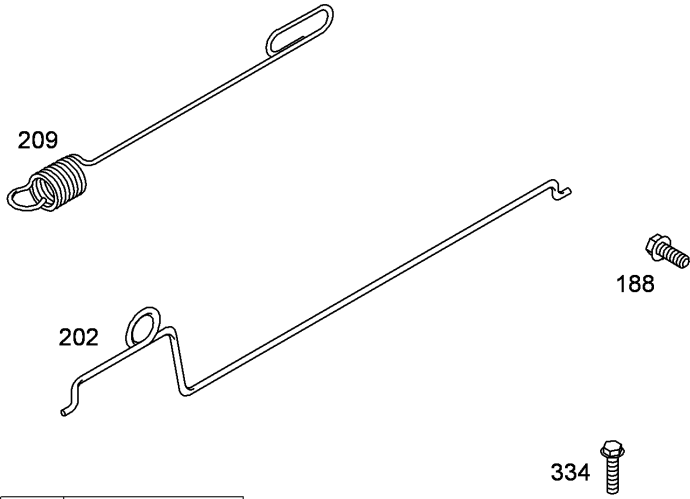
Ref	Part No.	Qty.	Description				
③ 97	696565	1	Shaft-Throttle				
③ ④ 104	691242	1	Pin-Hinge, Float				
③ 108	790844	1	Valve-Choke				
③ 109	790843	1	Shaft-Choke				
③ 117	691428	1	Jet-Main (Standard)				
③ 118	498977	1	Jet-Main (High Altitude)				
③ 125	794304	1	Carburetor				
③ ④ 127	694468	1	Plug-Welch				
③ 130	696564	1	Valve-Throttle				
③ 133	398187	1	Float-Carburetor				
③ ④ 134	398188	1	Needle And Seat Kit				
③ 137	693981	1	Gasket-Bowl, Float				
③ ④ 163	272653s	1	Gasket-Cleaner, Air				
③ ⑤ 231	691636	1	Screw (Choke Valve)				
③ ④ 276	271716	1	Washer-Sealing				
③ 365	692524	1	Screw (Carburetor)				
③ ④ 617	270344s	1	Seal-O Ring (Intake Manifold)				
③ ④ 633	691321	1	Seal-Shaft, Choke Throttle				
③ ④ 633A	693867	1	Seal-Shaft, Choke Throttle				
③ 975	493640	1	Bowl-Float				



Assemblies include all parts shown in frames

Air Cleaner Assembly Briggs and Stratton 126T02-0233-B1

Ref	Part No.	Qty.	Description
③ ④ 163	272653s	1	Gasket-Cleaner, Air
③ ⑤ ⑥			
③ 425	690670	1	Screw (Air Cleaner Cover)
③ 443	692523	1	Screw (Air Cleaner Primer Base)
③ 445	491588s	1	Filter-Cartridge, Air Cleaner
③ 529	691923	1	Grommet
③ 966	792040	1	Base-Primer, Air Cleaner
③ 968	692298	1	Cover-Cleaner, Air
③ 976	694395	1	Primer-Carburetor

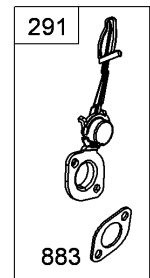
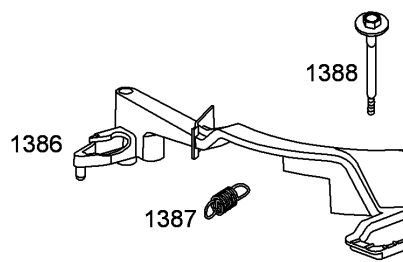
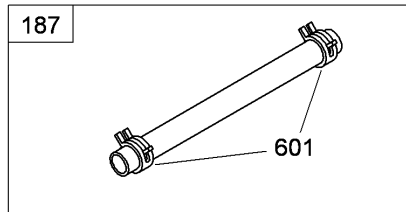
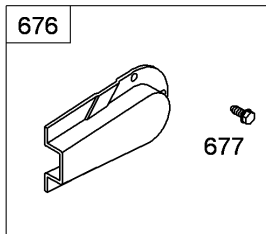
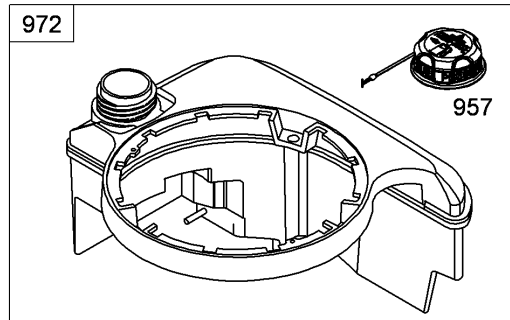
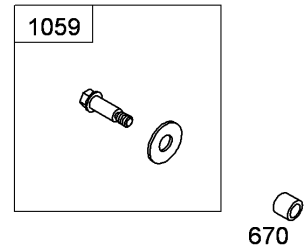
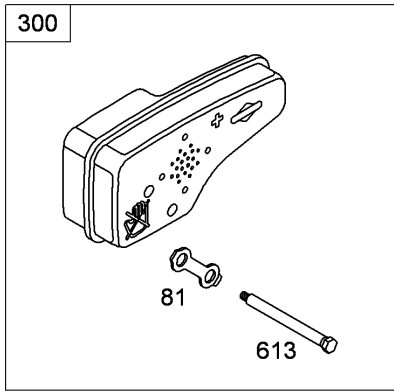


Assemblies include all parts shown in frames

Governor Assembly Briggs and Stratton 126T02-0233-B1

Ref	Part No.	Qty.	Description
188	693399	1	Screw (Control Bracket)
202	691829	1	Link-Governor, Mechanical
209	691292	1	Spring-Governor
222	793754	1	Bracket-Control
227	690783	1	Lever-Control, Governor
333	793353	1	Armature-Magneto
334	691061	1	Screw (Magneto Armature)
356	692390	1	Wire-Stop
505	691251	1	Nut (Governor Control Lever)
562	691119	1	Bolt (Governor Control Lever)
635	793351	1	Boot-Spark Plug
668	493823	1	Spacer
851	692424	1	Terminal-Spark Plug

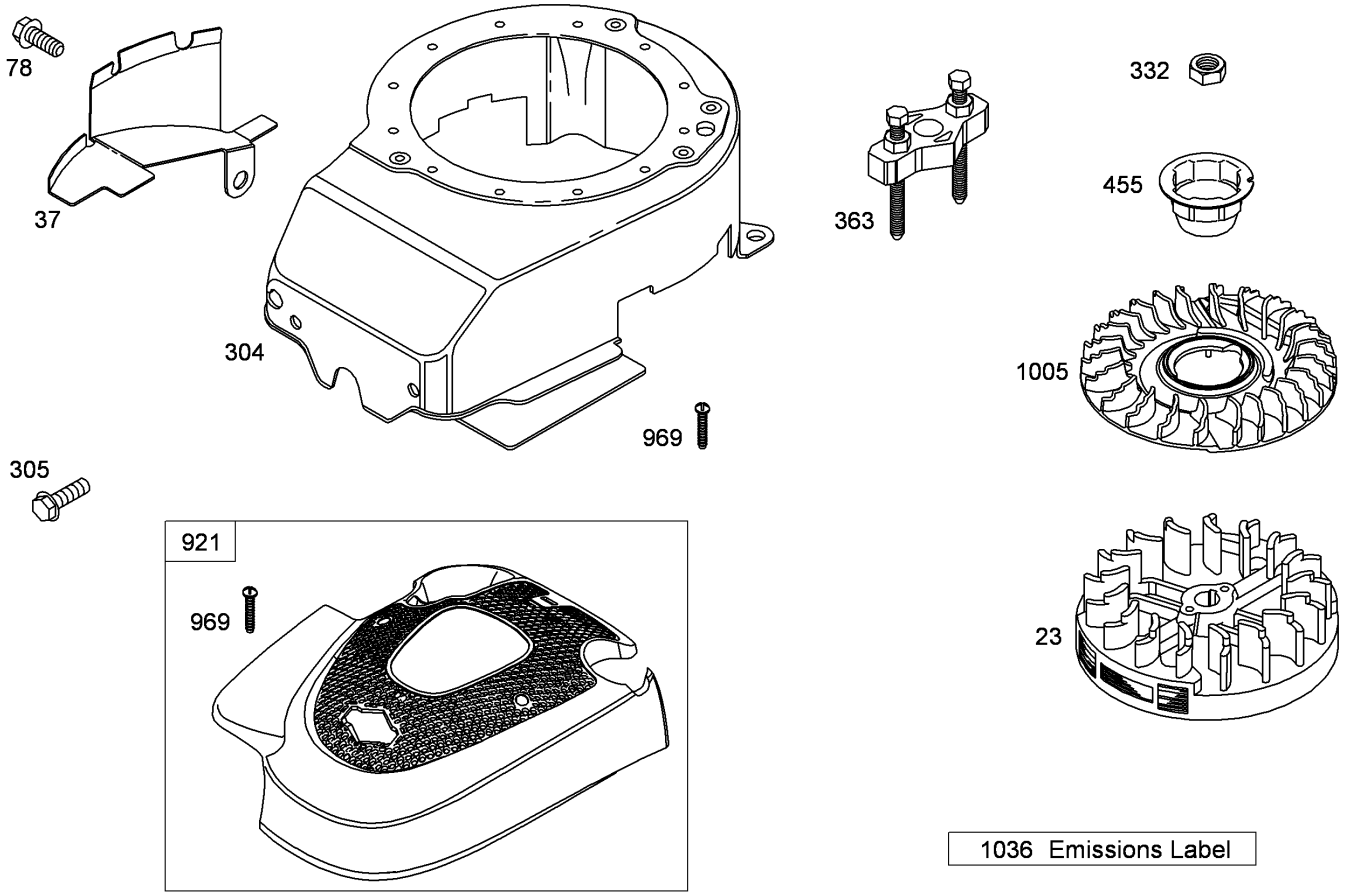
--	--	--	--



Assemblies include all parts shown in frames

Muffler and Fuel Tank Assembly Briggs and Stratton 126T02-0233-B1

Ref	Part No.	Qty.	Description
81	691740	1	Lock-Screw, Muffler
187	791766	1	Line-Fuel (Cut To Required Length)
190	690940	1	Screw (Fuel Tank)
291	790830	1	Thermostat
300	692038	1	Muffler
601	791850	1	Clamp-Hose
613	691340	1	Screw (Muffler)
670	692294	1	Spacer-Tank, Fuel
676	493871	1	Deflector-Muffler
677	690661	1	Screw (Muffler Deflector)
883	691881	1	Gasket-Exhaust
957	699985	1	Cap-Tank, Fuel
972	699374	1	Tank-Fuel
1059	692311	1	Screw And Washer Kit
1386	790848	1	Vane-Air
1387	790849	1	Spring-Vane, Air
1388	790850	1	Screw (Air Vane)

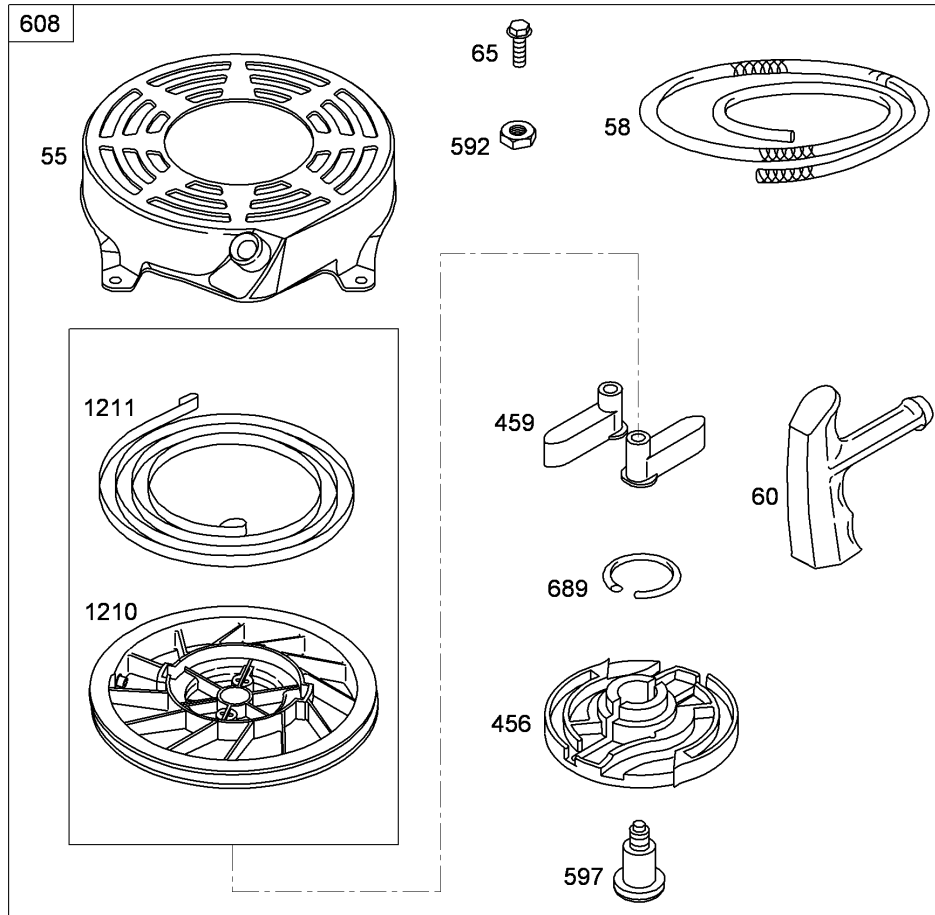


Assemblies include all parts shown in frames

Blower Housing Assembly Briggs and Stratton 126T02-0233-B1

Ref	Part No.	Qty.	Description
● 23	691987	1	Flywheel
● 37	694086	1	Guard-Flywheel
● 78	691108	1	Screw (Flywheel Guard)
● 304	790983	1	Housing-Blower
● 305	691108	1	Screw (Blower Housing)
● 332	690662	1	Nut (Flywheel)
● 363	19069	1	Puller-Flywheel
● 455	791760	1	Cup-Flywheel
● 921	790036	1	Cover-Housing, Blower
● 969	691138	1	Screw (Blower Housing Cover)
● 1005	691346	1	Fan-Flywheel
● 1036		1	Label-Emissions

--	--	--	--

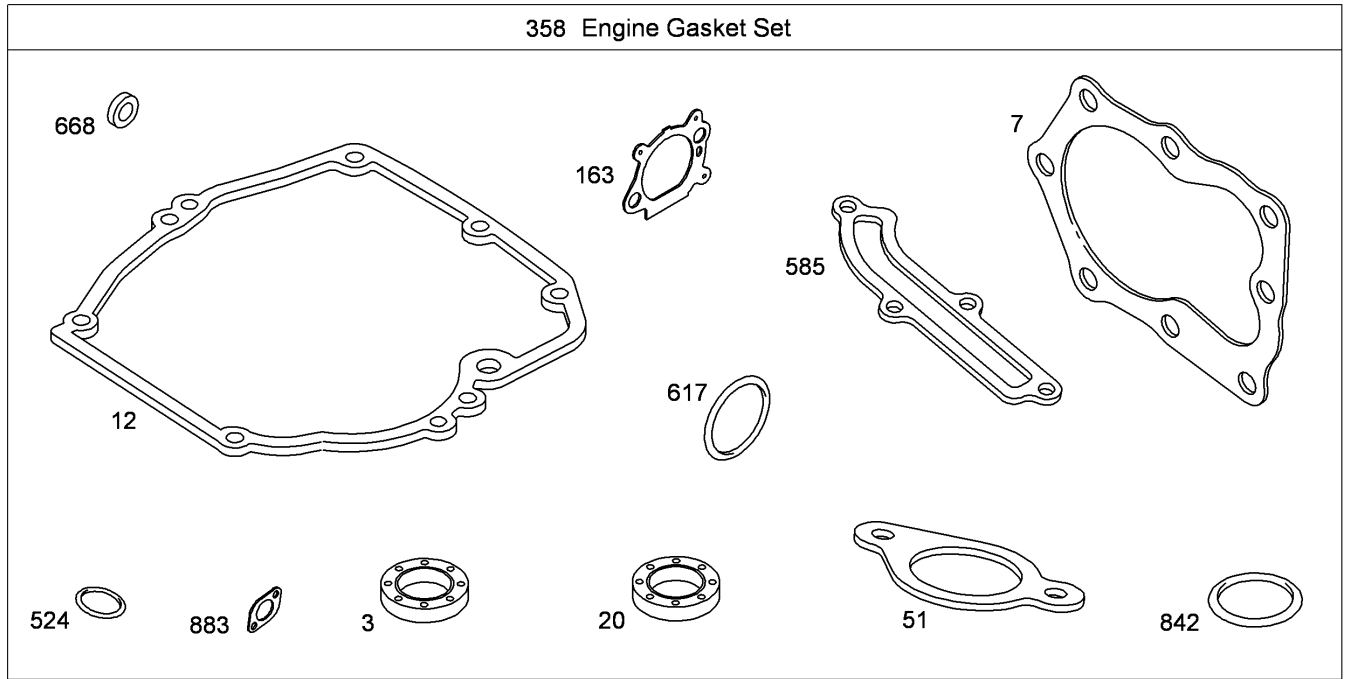


Assemblies include all parts shown in frames

Starter Assembly Briggs and Stratton 126T02-0233-B1

Ref	Part No.	Qty.	Description
55	691421	1	Housing-Starter, Rewind
58	697316	1	Rope-Starter (Cut To Required Length)
60	281434s	1	Grip-Rope, Starter
65	690837	1	Screw (Rewind Starter)
456	692299	1	Plate-Friction, Pawl
459	281505s	1	Ratchet-Pawl
592	690800	1	Nut (Rewind Starter)
597	691696	1	Screw (Pawl Friction Plate)
608	497680	1	Starter-Rewind
689	691855	1	Spring-Friction
1210	498144	1	Pulley And Spring ASM (Pulley)
1211	498144	1	Pulley And Spring ASM (Spring)

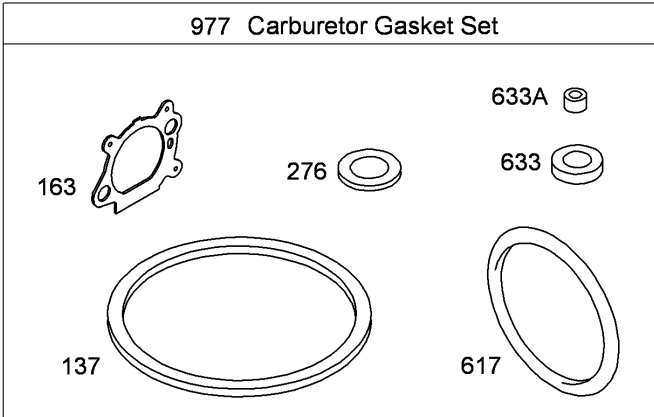
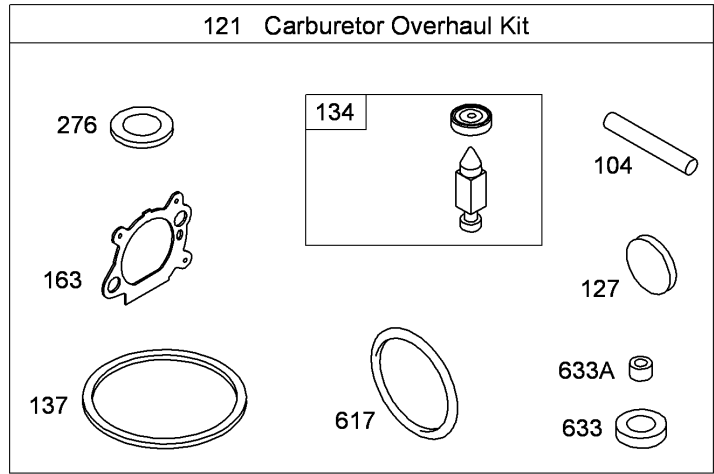
--	--	--	--



Assemblies include all parts shown in frames

Engine Gasket Set
Briggs and Stratton 126T02-0233-B1

Ref	Part No.	Qty.	Description
353	299819s	1	Seal-Oil (Magneto Side)
357	692249	1	Gasket-Head, Cylinder
3512	692232	1	Gasket-Crankcase
3520	399781s	1	Seal-Oil (PTO Side)
3551	794306	1	Gasket-Intake
4163	272653s	1	Gasket-Cleaner, Air
6			
358	794307	1	Engine Gasket Set
3524	692296	1	Seal-O Ring (Dipstick Tube)
3585	691879	1	Gasket-Passage, Breather
4617	270344s	1	Seal-O Ring (Intake Manifold)
6			
35668	493823	1	Spacer
35842	691031	1	Seal-O Ring (Dipstick)
35883	691881	1	Gasket-Exhaust



Assemblies include all parts shown in frames

Carburetor Overhaul Kit Briggs and Stratton 126T02-0233-B1

Ref	Part No.	Qty.	Description
3 4 104	691242	1	Pin-Hinge, Float
3 121	498260	1	Carburetor Overhaul Kit
3 4 127	694468	1	Plug-Welch
3 4 134	398188	1	Needle And Seat Kit
3 4 137	693981	1	Gasket-Bowl, Float
6			
3 4 163	272653s	1	Gasket-Cleaner, Air
5 6			
3 4 276	271716	1	Washer-Sealing
6			
3 4 617	270344s	1	Seal-O Ring (Intake Manifold)
5 6			
3 4 633	691321	1	Seal-Shaft, Choke Throttle
6			
3 4 633A	693867	1	Seal-Shaft, Choke Throttle
6			
3 977	498261	1	Carburetor Gasket Set

Attachments and Accessories

For 20792 - 53cm Super Recycler Lawn Mower

Product Name	Model/Part
Traction Assist Handle Kit	108-8120
Toro Walk Mower Cover	490-7462
Plain Walk Mower Cover	490-7463
Dethatcher Kit	59131

