



53cm Super Recycler[®] Lawn Mower

Model No. 20795 - 280000001 and up.

Parts Catalog

Ordering Replacement Parts

To order replacement parts, please supply the part number, the quantity, and the description of each part desired.

Understanding Reference Numbers

Each identified part in an illustration has a reference number. The reference number for a part also appears in the parts list, along with other information about the part.

This catalog uses two special reference number formats, one to indicate parts in a service assembly and another to indicate the quantity of a given part in an illustration.

Service Assembly Reference Numbers

Parts in service assemblies have reference numbers in the form a:b. The a represents the reference number of the entire service assembly and the b represents a sequential number unique to each part within the service assembly.

For example, a wheel assembly might be identified by reference number 6, the tire by 6:1, the valve by 6:2, and the wheel by 6:3. When you order the assembly identified by reference number 6, you receive all parts identified by reference numbers 6:1, 6:2, and 6:3. However, you may also order any part individually. Reference numbers of this type appear in illustrations and in part lists.

Reference Numbers Indicating Quantity

In an illustration, if a reference number indicates more than one part, the reference number has the form nX y. The n represents the quantity of the part, the X is the multiplication symbol, and the y represents the reference number.

For example, in an illustration, the reference number 2X 37 means that two of the parts identified by reference number 37 are indicated.

Contents

Description	Page	Description	Page
Housing Assembly	3	Carburetor Assembly Briggs and Stratton 126T07-0234-B1	17
Discharge Door Assembly No. 107-3717	4	Air Cleaner Assembly Briggs and Stratton 126T07-0234-B1	18
Housing Assembly No. 115-2855	5	Governor Assembly Briggs and Stratton 126T07-0234-B1	19
Height-of-Cut Assembly	6	Muffler and Fuel Tank Assembly Briggs and Stratton 126T07-0234-B1	20
Rear Wheel and Gear Case Assembly	7	Blower Housing Assembly Briggs and Stratton 126T07-0234-B1	21
Gear Case Assembly No. 108-8140	8	Starter Assembly Briggs and Stratton 126T07- 0234-B1	22
Engine Assembly	9	Electric Starter Assembly Briggs and Stratton 126T07-0234-B1	23
Handle Assembly	10	Engine Gasket Set Briggs and Stratton 126T07-0234-B1	24
Brake Bail and Cable Assembly	11	Carburetor Overhaul Kit Briggs and Stratton 126T07-0234-B1	25
Electrical Assembly	12	Attachments and Accessories List	26
Rear Bag Assembly	13		
Cylinder Assembly Briggs and Stratton 126T07-0234-B1	14		
Crankshaft Assembly Briggs and Stratton 126T07-0234-B1	15		
Crankcase Assembly Briggs and Stratton 126T07-0234-B1	16		

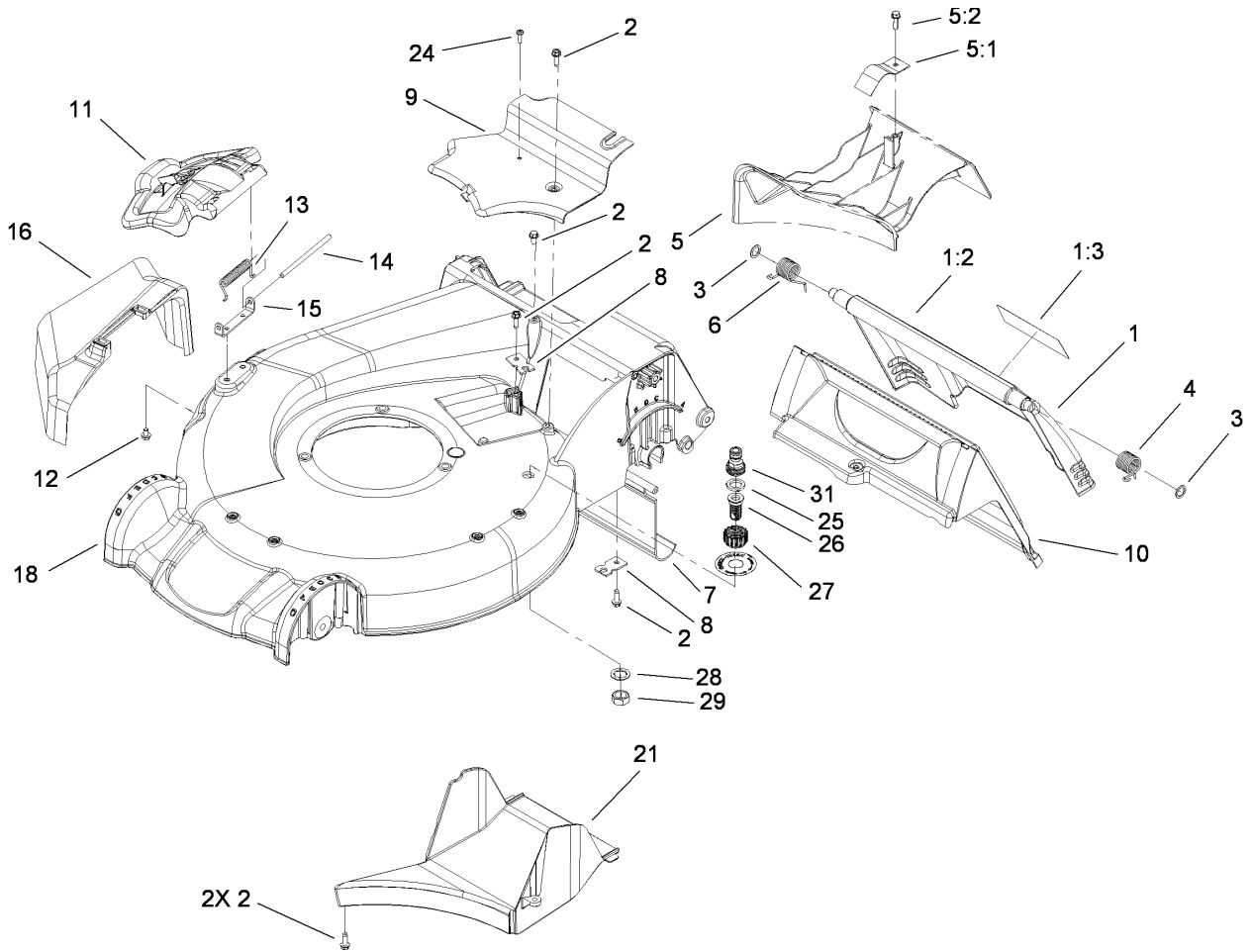
Part Description Abbreviations

Part descriptions in this catalog may include the following abbreviations.

AR. as required	HYD. hydraulic
ASM. assembly	LH. left hand
BBC. blade brake clutch	NI. nylon insert
CARR. carriage	NPTF. national pipe thread fine
DEG. degrees	PFH. phillips flat head
EXT. external	PPH. phillips pan head
FH. flat head	PPHTF. phillips pan head thread forming
GA. gauge	PRH. phillips round head
HD. heavy-duty	PTH. phillips truss head
HF. hex flange	PTO. power-take-off
HH. hex head	RH. right hand
HHF. hex head flange	ROPS. roll-over protection system
HHFTF. hex head flange thread forming	SFH. slotted fillister head
HJ. hex jam	SHH. slotted hex head
HLH. hex lag head	SHWH. slotted hex washer head
HOC. height-of-cut	SPH. slotted pan head
HSBH. hex socket button head	SQH. square head
HSFH. hex socket flat head	SRH. slotted round head
HSH. hex socket head	STD. standard
HWH. hex washer head	TAP. self tapping
HWHTF. hex washer head thread forming	TTH. torx truss head

Footnotes

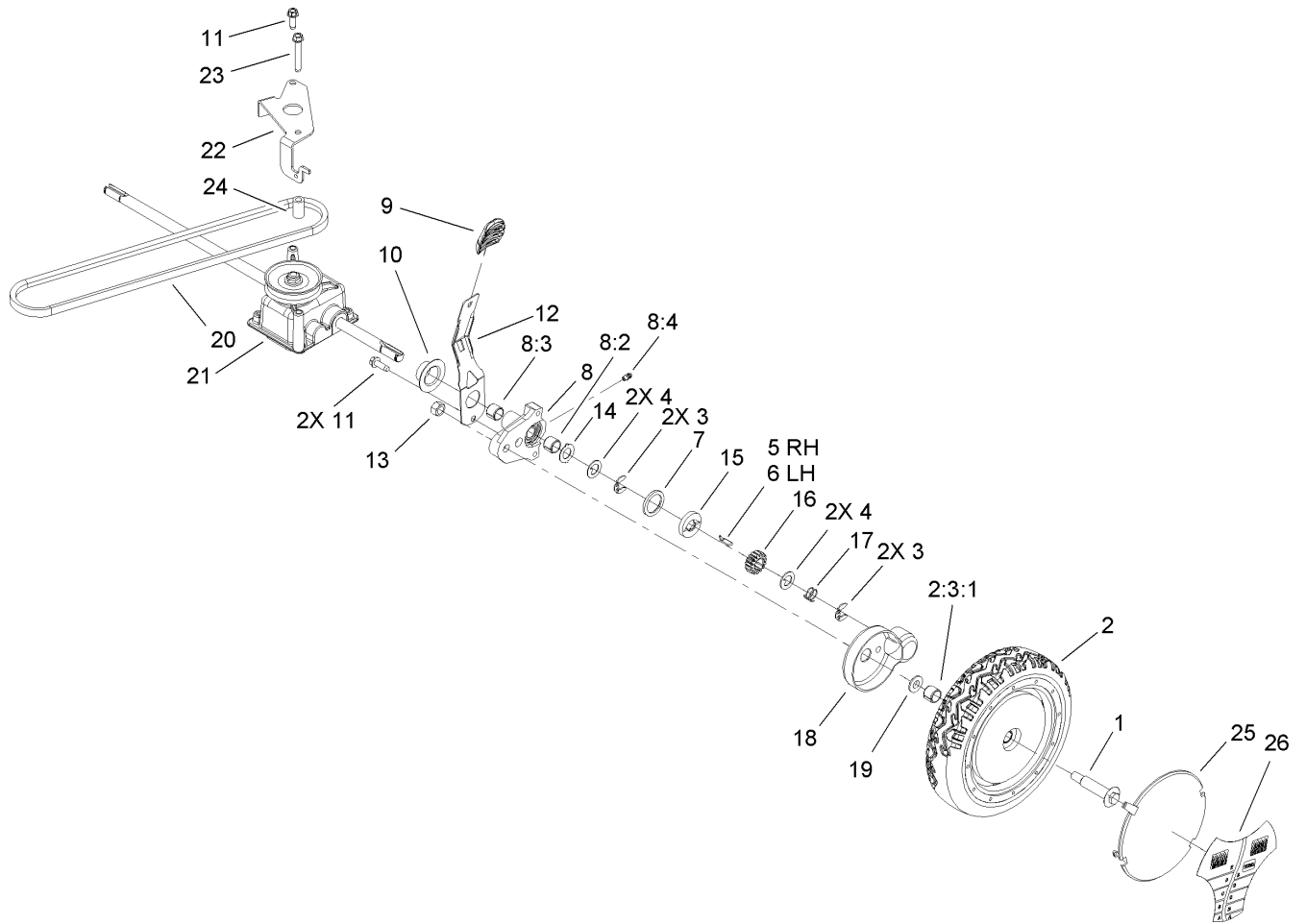
- | | |
|---|--|
| ❶ Not illustrated | ❷ Not serviced separately |
| ❸ Obtain from your local Briggs & Stratton dealer | ❹ Included in Carburetor Overhaul Kit (Ref. No. 121) |
| ❺ Included in Engine Gasket Set (Ref. No. 358) | ❻ Included in Carburetor Gasket Set (Ref. No. 977) |



Housing Assembly

Ref	Part No.	Qty.	Description
1	115-2856	1	Rear Door ASM
1:2	114-7982	1	Decal-Warning
1:3	104-7908	1	Decal-Warning
2	49-2040	6	Screw-HWHTF
3	94-8196	2	Washer-Nylon
4	115-2859	1	Spring-Torsion
5	115-4656	1	Plug-Mulch ASM
5:1	115-4655	1	Tab-Spring
5:2	46-8091	1	Screw-HWH
6	114-7924	1	Spring-Torsion
7	114-1586	1	Shield-Trailing
8	107-7497	2	Bracket-Cable, Traction
9	107-7494	1	Cover-Belt
10	114-2668	1	Chute
11	107-3717	1	Discharge Door ASM
12	99-8445	2	Screw-HWH
13	99-5293	1	Spring-Torsion
14	99-5291	1	Rod-Cover
15	112-6416	1	Bracket-Cover
16	108-3753	1	Chute-Discharge, Side
18	115-2855	1	Housing ASM
21	107-7495	1	Tunnel-Discharge
24	32144-32	1	Screw
25	112-6438	1	Washer-Seal, Washout Port

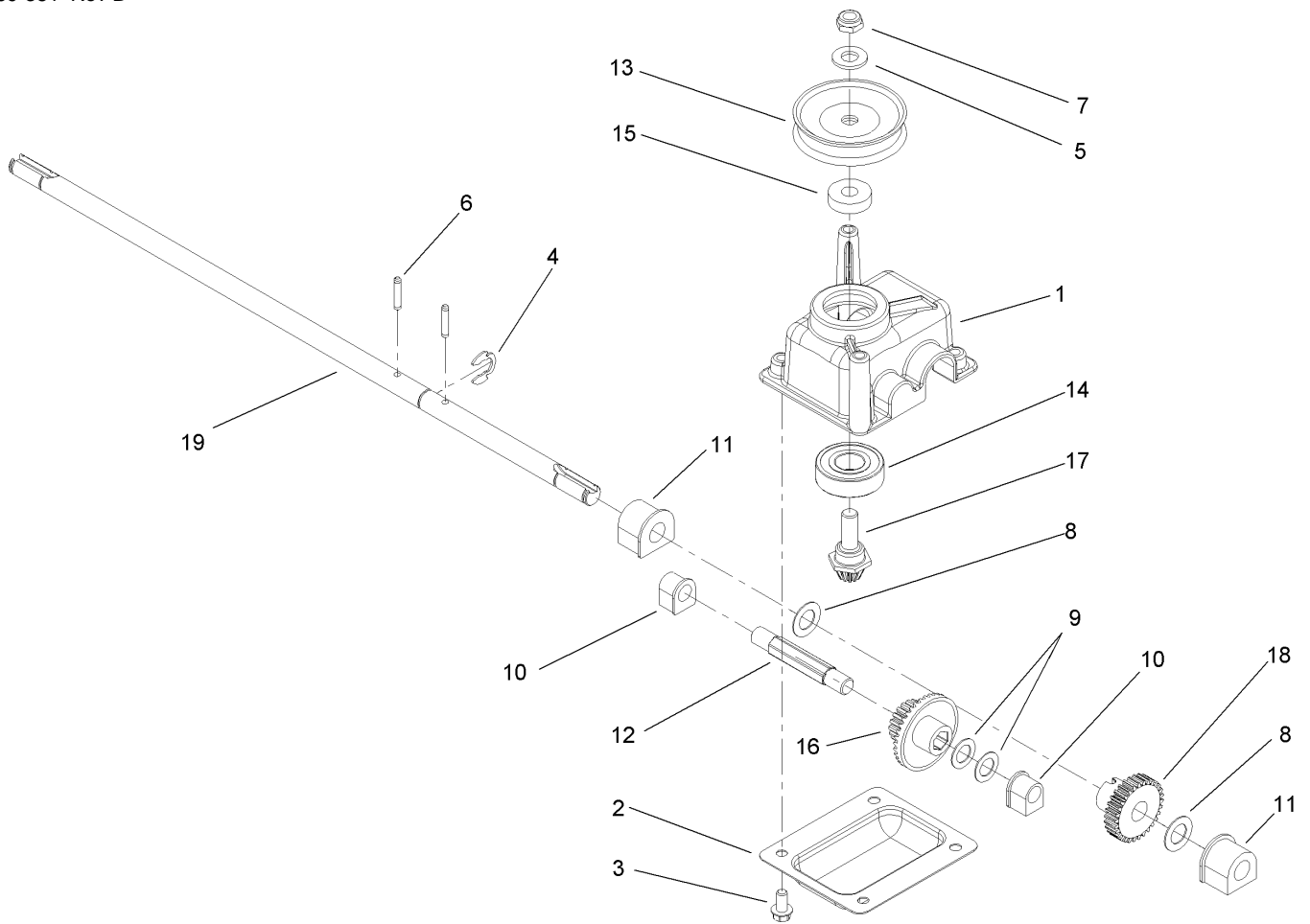
Ref	Part No.	Qty.	Description
26	112-6400	1	Port-Washout
27	112-6401	1	Coupling-Hose, Washout Port
28	3254-5	1	Washer-Tooth
29	3218-6	1	Nut-Jam
31	112-6437	1	Adapter-Quick Connect



Rear Wheel and Gear Case Assembly

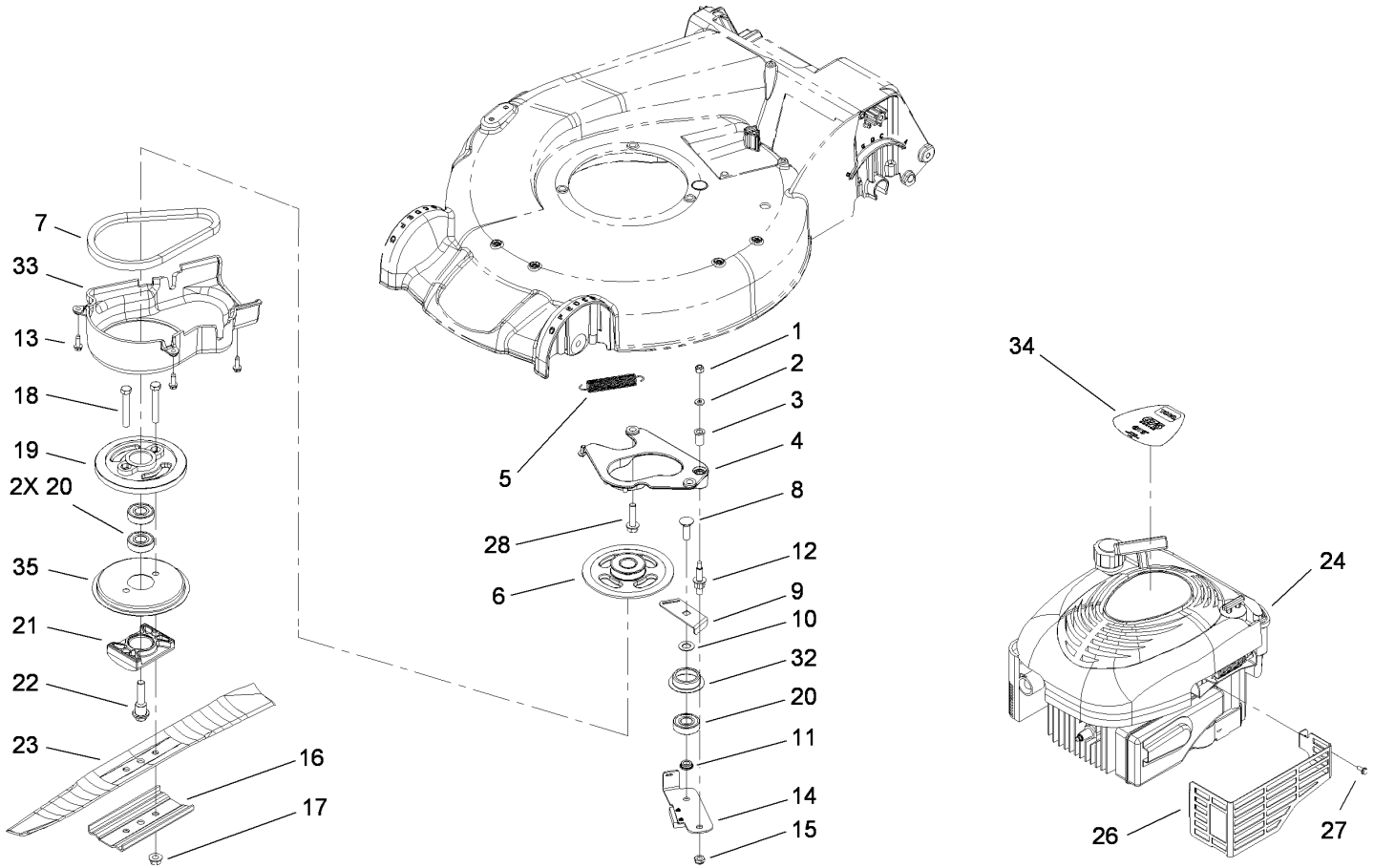
Ref	Part No.	Qty.	Description
1	92-1057	2	Bolt-Shoulder
2	107-3707	2	Wheel Gear ASM
1 2 2:3		1	8 Inch Wheel ASM
2:3:1	27-6250	2	Bushing
3	65-2720	4	Ring-Clip, Locking
4	65-4740	4	Washer-Thrust, Keyed
5	66-6040	1	Key-Rocking, RH
6	66-6050	1	Key-Rocking, LH
7	65-4710	2	Ring-Friction
8	100-8774	2	Pivot Arm ASM
8:2	47-2900	1	Bushing
8:3	70-9760	1	Bushing
8:4	302-56	1	Fitting-Grease
9	105-3042	2	Knob-Lever, HOC
10	42-3520	2	Cap-End
11	49-2040	3	Screw-HWHTF
12	107-7491	2	Arm-Spring
13	603773	2	Nut
14	65-4730	2	Washer-Arm, Pivot
15	65-4760	2	Washer-Clutch
16	65-4750	2	Gear-Pinion
17	65-4720	2	Spring-Compression
18	74-1660	2	Cover-Wheel
19	74-1671	2	Spacer-Cover, Wheel

Ref	Part No.	Qty.	Description
20	99-1597	1	V-Belt
21	108-8140	1	Gear Case ASM
22	107-7483-03	1	Bracket-Gearbox
23	92-1616	1	Screw-HWHTF
24	614673	1	Bushing-Plate, Actuator
25	100-6351	1	Cover-Wheel
26	100-1519	1	Label-Wheel, Smart



Gear Case Assembly No. 108-8140

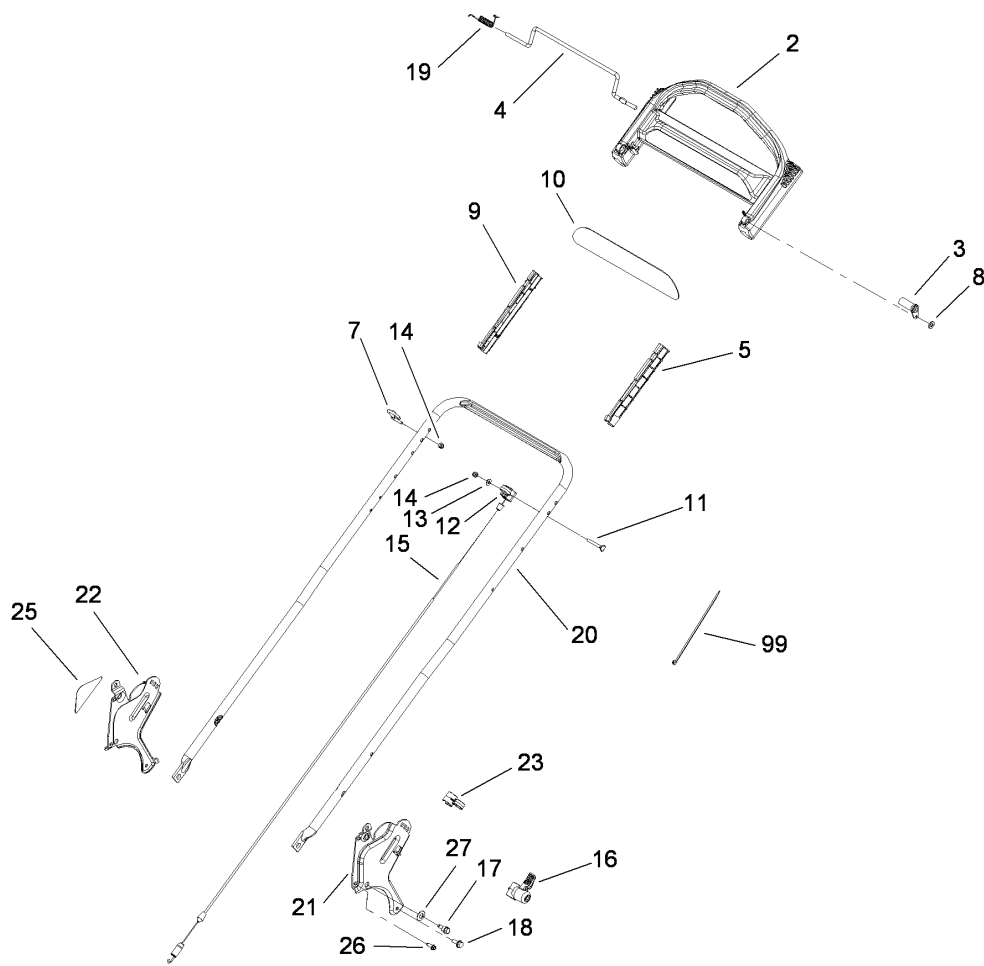
Ref	Part No.	Qty.	Description
1	104-7619	1	Case-Gear
2	614668-03	1	Cover-Case, Gear
3	32144-4	4	Screw-HWH
4	32151-68	1	Ring-Retaining
5	3256-24	1	Washer-Flat
6	3285-19	2	Pin-Groove
7	3296-5	1	Nut-Lock
8	36-4780	2	Washer-Plain
9	36-4791	2	Washer-Thrust
10	60-8750	2	Bushing
11	60-8850	2	Bushing
12	614696	1	Shaft-Intermediate
13	100-1176	2	Pulley-Half
14	100-1048	1	Bearing-Ball
15	62-6660	1	Spacer
16	104-1005	1	Gear-19T Spur, 37T Bevel
17	104-7667	1	Gear-Pinion, Bevel
18	104-1004	1	Gear-30T
19	108-8141	1	Shaft-Output



Engine Assembly

Ref	Part No.	Qty.	Description
1	3296-42	1	Nut-Lock, NI
2	3256-16	1	Washer-Flat
3	107-0797	1	Bushing
4	107-0761	1	Plate-Anchor
5	108-3792	1	Spring-Tension, Brake
6	110-7456	1	Pulley
7	110-1790	1	Belt-BBC
8	3231-25	1	Screw-CARR
9	107-7471	1	Plate-Guide
10	605256	1	Washer
11	107-0758	1	Spacer-Bearing
12	107-0759	1	Bolt-Shoulder
13	49-2040	3	Screw-HWHTF
14	107-7477	1	Brake Arm ASM
15	603773	2	Nut
16	108-3766-03	1	Support-Blade
17	54-9190	2	Nut-Lock
18	3211-42	2	Screw-HH
19	107-0754	1	Drum
20	100-1048	3	Bearing-Ball
21	107-7487	1	Support-Blade
22	107-7486	1	Bolt-Crank
23	108-3762-03	1	Blade-Recycling

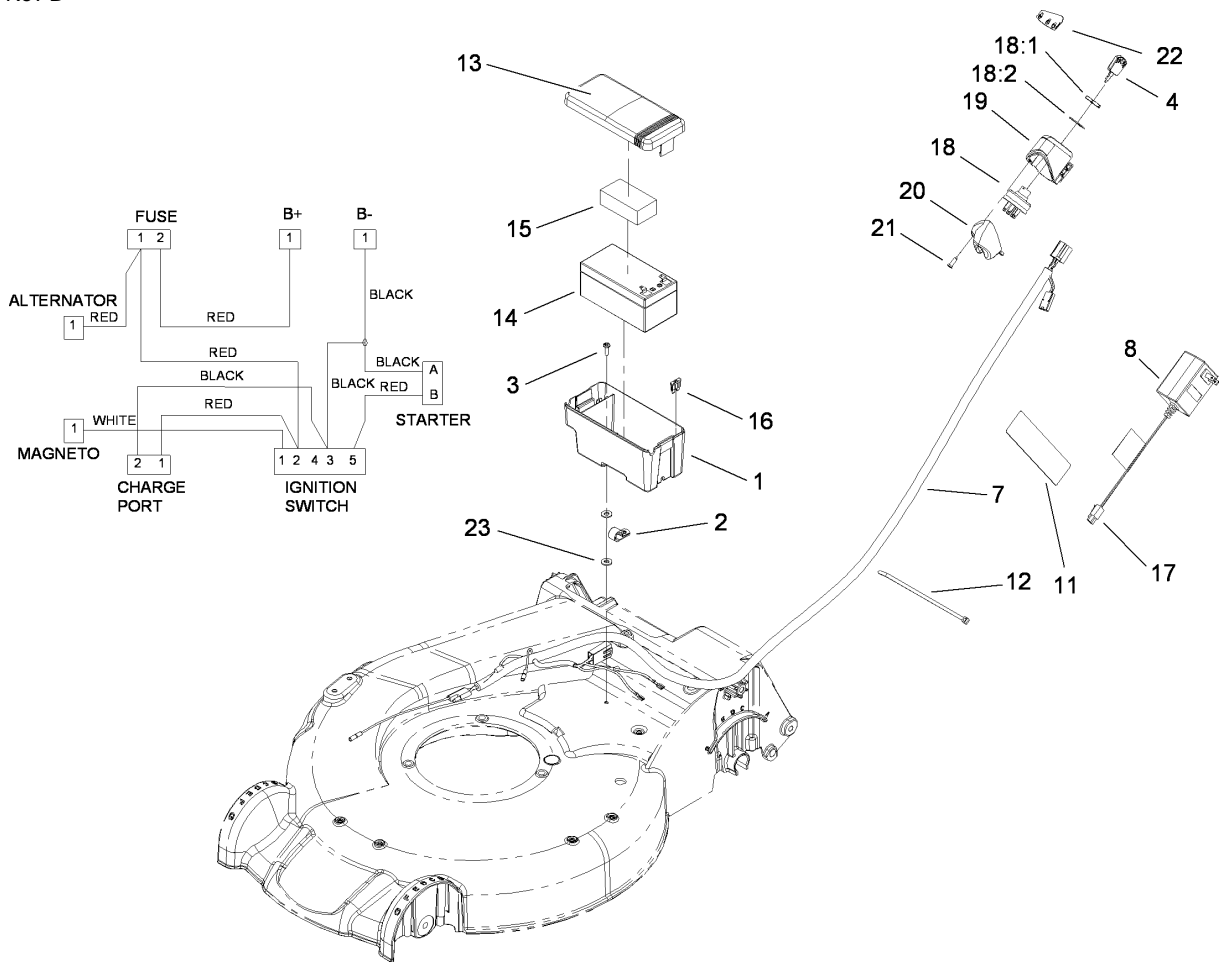
Ref	Part No.	Qty.	Description
24		1	Engine-Briggs And Stratton, 126T07-0234-B1
26	104-7577-03	1	Shield-Muffler
27	32144-1	3	Screw-Taptite
28	32144-102	3	Screw-HWH
32	108-3790	1	Retainer-Belt
33	107-7488	1	Cover
34	115-4654	1	Decal-Shroud
35	108-3787	1	Disc



Handle Assembly

Ref	Part No.	Qty.	Description
2	104-8678	1	Handle-Control
3	99-1589	1	Lever-Traction
4	99-1588	1	Bar-Control, Traction
5	105-6842	1	Guide-LH
7	86-9671	1	Guide-Rope
8	3256-23	1	Washer-Flat
9	105-6841	1	Guide-RH
10	110-7056	1	Decal-Ads, Handle
11	321-50	1	Screw-HH
12	92-7729	1	Anchor-Cable, Upper
13	3256-1	1	Washer-Flat
14	3296-73	2	Nut-Lock, NI
15	108-8158	1	Cable-Traction
16	115-2860	2	Quick Release ASM
17	115-1958	2	Bolt-Shoulder
18	32144-11	2	Screw-HWHTF
19	104-8690	1	Spring-Torsion
20	115-1300-05	1	Handle
21	114-2671-03	1	Bracket-Handle, LH
22	114-2672-03	1	Bracket-Handle, RH
23	106-6805	1	Guide-Cable
25	115-2884	1	Decal-Instruction
26	49-2040	2	Screw-HWHTF
27	112-9972	2	Washer-Conical, Spring

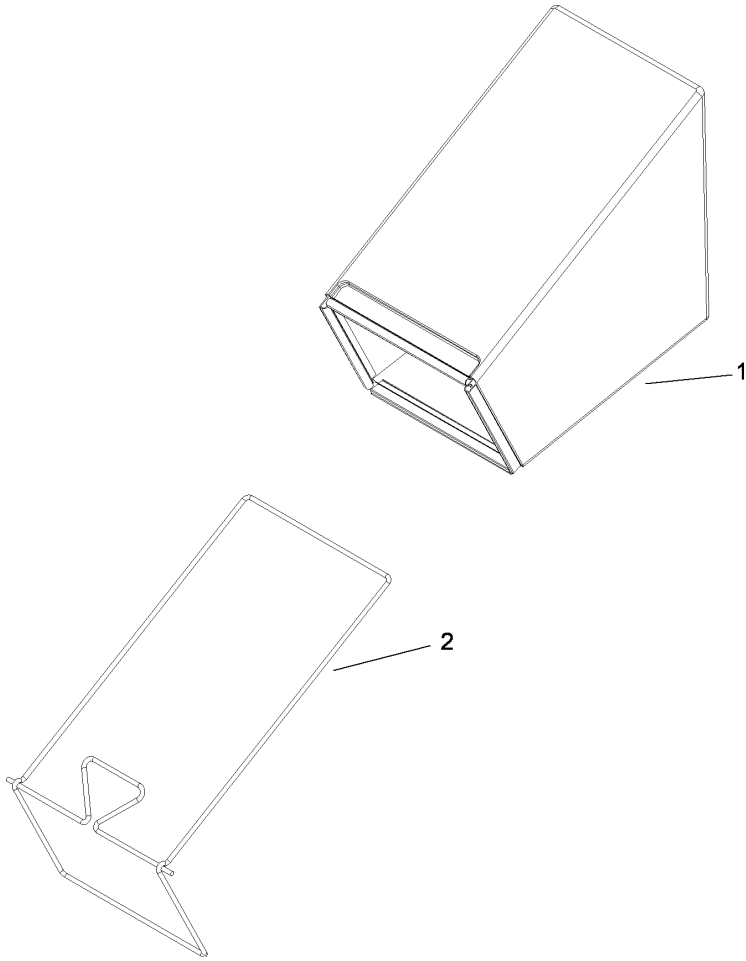
Ref	Part No.	Qty.	Description
99	614249	3	Strap-Tie



Electrical Assembly

Ref	Part No.	Qty.	Description
1	108-4844	1	Battery Box ASM
2	2412-73	1	Clamp-R
3	32144-32	1	Screw
4	700918	1	Key
7	108-4839	1	Harness-Wire
8	98-2391	1	Charger-European, 12V Dc
11	104-7953	1	Decal-Harness
12	614249	2	Strap-Tie
13	108-4791	1	Decal-Instructional
14	106-8397	1	Battery-12 Volt
15	107-3774	1	Foam-Battery, Top
16	99-6124	2	Fuse-40 Amp
17	107-3749	1	Adapter-Charger
18	23-0660	1	Switch-Starter
18:1	218-461	1	Nut-HH
18:2	3254-5	1	Washer-Tooth
19	108-3795	1	Housing-Key Switch
20	108-3796	1	Cvr-Swch M04
21	32144-111	2	Screw-PPH
22	108-9751	1	Decal-Switch, Ignition
23	3256-22	2	Washer-Flat

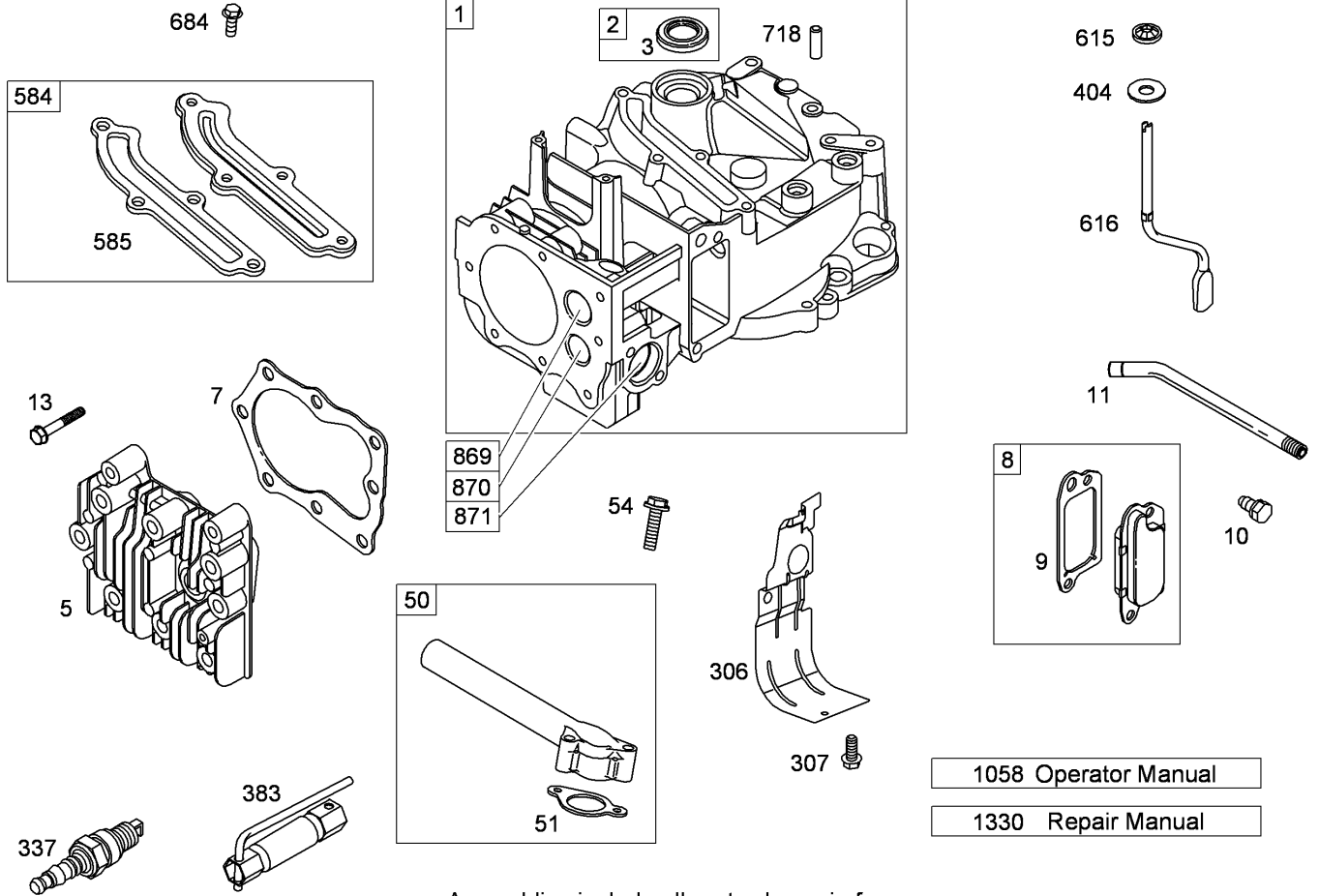
Ref	Part No.	Qty.	Description



Rear Bag Assembly

Ref	Part No.	Qty.	Description
1	114-2664	1	Grass Bag ASM
2	114-2679-03	1	Bag Frame ASM

|--|--|--|--|



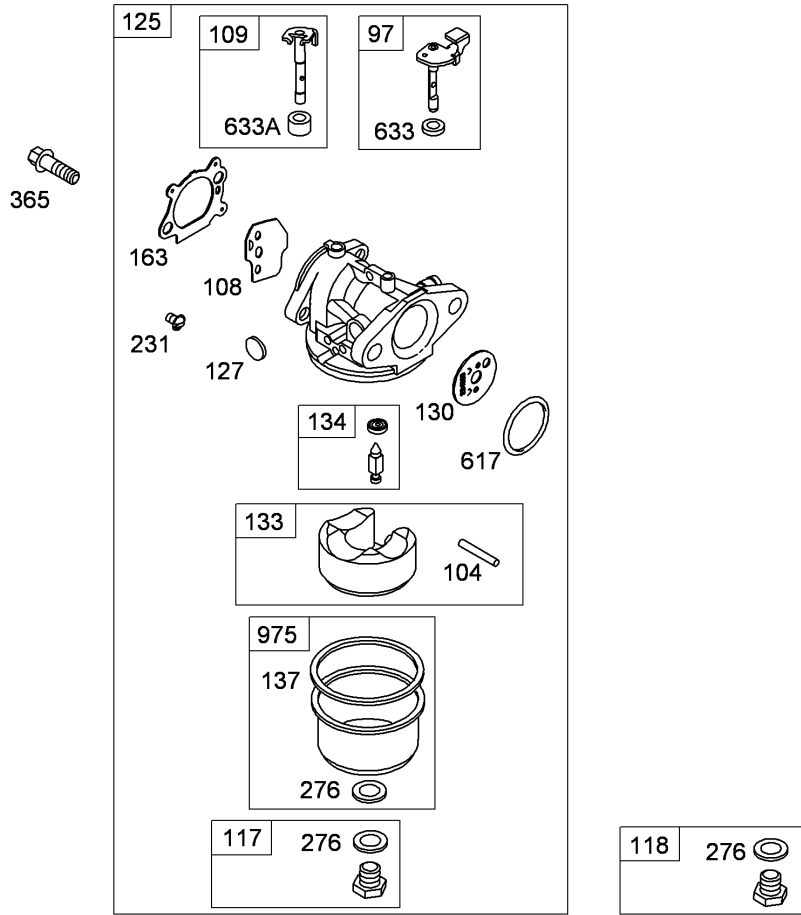
Assemblies include all parts shown in frames

Cylinder Assembly

Briggs and Stratton 126T07-0234-B1

Ref	Part No.	Qty.	Description
1	697322	1	Cylinder ASM
2	399269	1	Bushing And Seal Kit
3	299819s	1	Seal-Oil (Magneto Side)
5	691160	1	Head-Cylinder
7	692249	1	Gasket-Head, Cylinder
8	695250	1	Breather ASM
9	699472	1	Gasket-Breather
10	691125	1	Screw (Breather ASM)
11	691781	1	Tube-Breather
13	690912	1	Screw (Cylinder Head)
50	794305	1	Manifold-Intake
51	794306	1	Gasket-Intake
54	691650	1	Screw (Intake Manifold)
306	790836	1	Shield-Cylinder
307	690345	1	Screw (Cylinder Shield)
337	802592s	1	Plug-Spark
383	89838s	1	Wrench-Spark Plug
404	690272	1	Washer (Governor Crank)
584	697734	1	Cover-Passage, Breather
585	691879	1	Gasket-Passage, Breather
615	690340	1	Retainer-Shaft, Governor
616	698801	1	Crank-Governor
684	690345	1	Screw (Breather Passage Cover)
718	690959	1	Pin-Locating

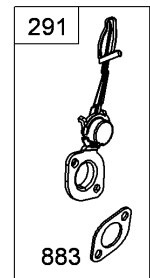
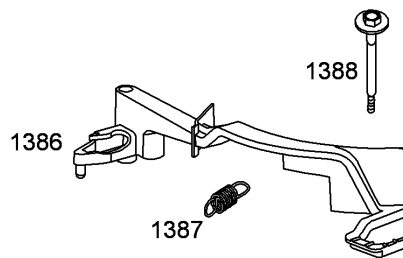
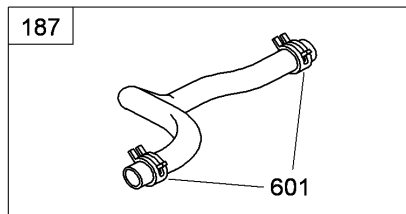
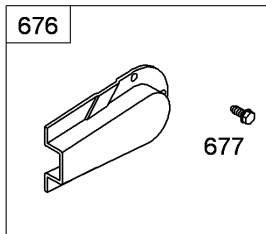
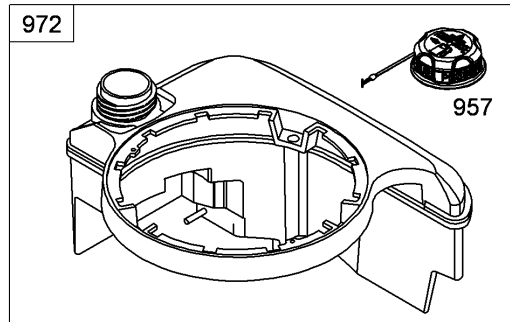
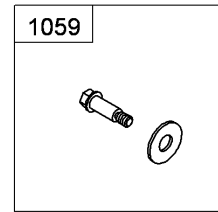
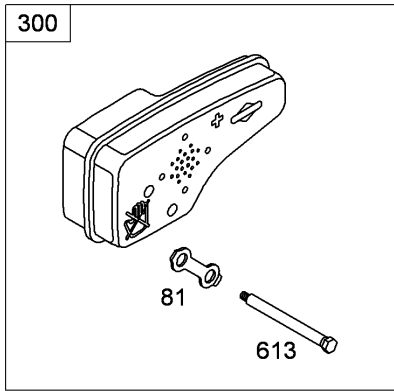
Ref	Part No.	Qty.	Description
869	691155	1	Seat-Valve (Intake)
870	690380	1	Seat-Valve (Exhaust)
871	262001	1	Bushing-Guide (Exhaust)
871	63709	1	Bushing-Guide (Intake)
1058	MS3262	1	Operator Manual
1330	270962	1	Repair Manual



Assemblies include all parts shown in frames

Carburetor Assembly Briggs and Stratton 126T07-0234-B1

Ref	Part No.	Qty.	Description				
③ 97	696565	1	Shaft-Throttle				
③ ④ 104	691242	1	Pin-Hinge, Float				
③ 108	790844	1	Valve-Choke				
③ 109	790843	1	Shaft-Choke				
③ 117	691428	1	Jet-Main (Standard)				
③ 118	498977	1	Jet-Main (High Altitude)				
③ 125	794304	1	Carburetor				
③ ④ 127	694468	1	Plug-Welch				
③ 130	696564	1	Valve-Throttle				
③ 133	398187	1	Float-Carburetor				
③ ④ 134	398188	1	Needle And Seat Kit				
③ ④ 137	693981	1	Gasket-Bowl, Float				
③ ④ 163	272653s	1	Gasket-Cleaner, Air				
③ 231	691636	1	Screw (Choke Valve)				
③ ④ 276	271716	1	Washer-Sealing				
③ 365	692524	1	Screw (Carburetor)				
③ ④ 617	270344s	1	Seal-O Ring (Intake Manifold)				
③ ④ 633	691321	1	Seal-Shaft, Choke Throttle				
③ ④ 633A	693867	1	Seal-Shaft, Choke Throttle				
③ 975	493640	1	Bowl-Float				

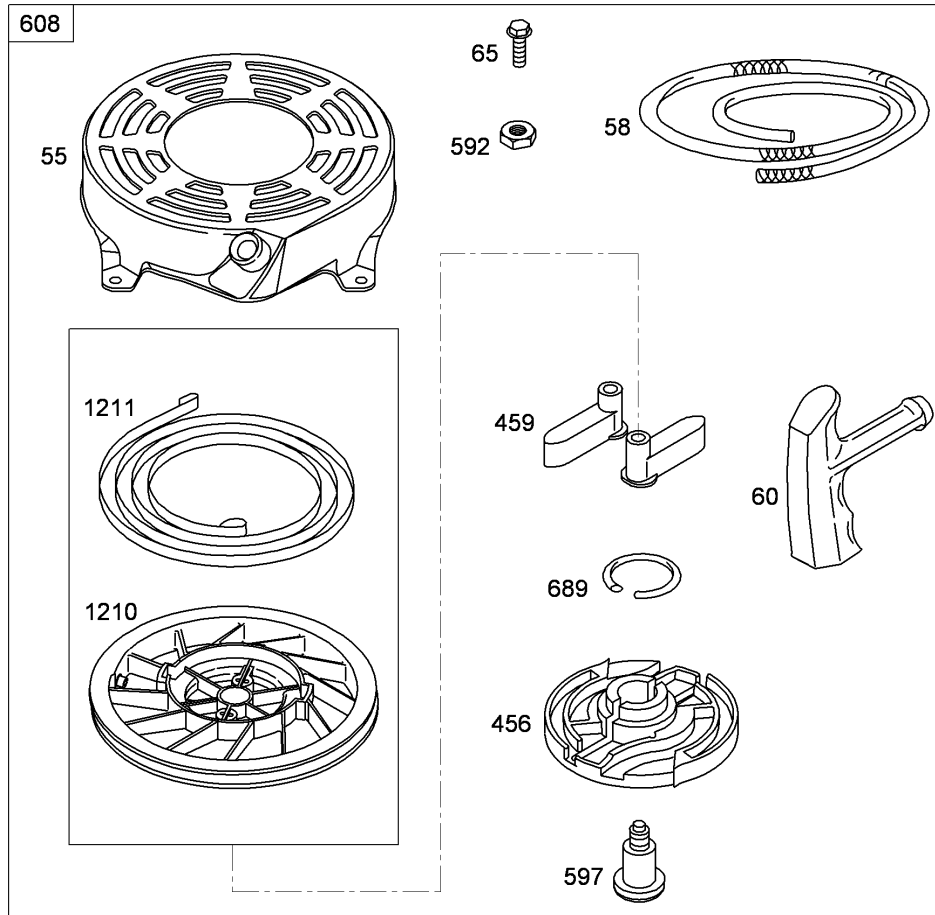


Assemblies include all parts shown in frames

Muffler and Fuel Tank Assembly Briggs and Stratton 126T07-0234-B1

Ref	Part No.	Qty.	Description
81	691740	1	Lock-Screw, Muffler
187	791873	1	Line-Fuel (Molded)
190	690940	1	Screw (Fuel Tank)
291	790830	1	Thermostat
300	790828	1	Muffler
601	791850	1	Clamp-Hose
613	790833	1	Screw (Muffler)
670	692294	1	Spacer-Tank, Fuel
676	493871	1	Deflector-Muffler
677	690661	1	Screw (Muffler Deflector)
883	691881	1	Gasket-Exhaust
957	699985	1	Cap-Tank, Fuel
972	699374	1	Tank-Fuel
1059	692311	1	Screw And Washer Kit
1386	790848	1	Vane-Air
1387	790849	1	Spring-Vane, Air
1388	790850	1	Screw (Air Vane)

--	--	--	--

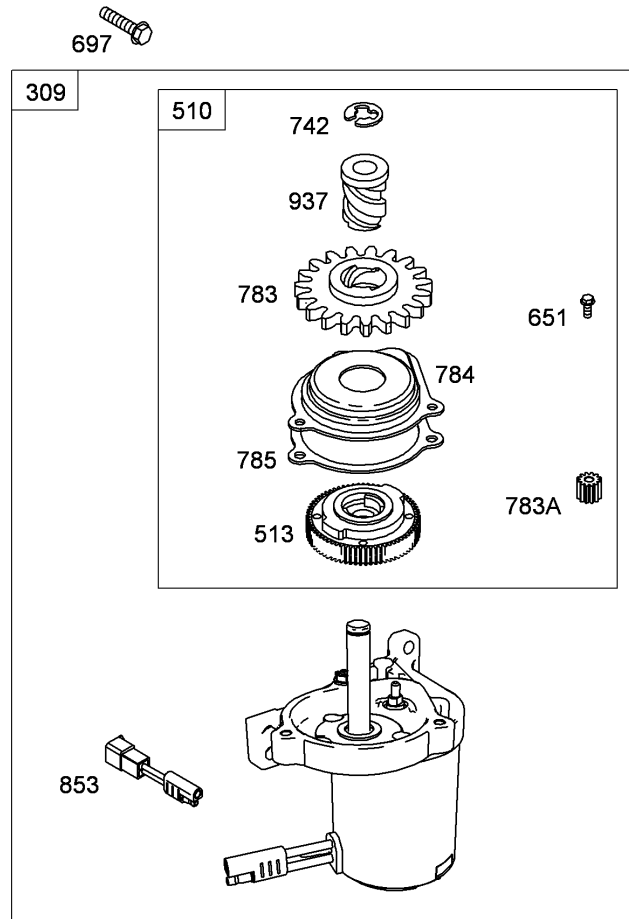


Assemblies include all parts shown in frames

Starter Assembly Briggs and Stratton 126T07-0234-B1

Ref	Part No.	Qty.	Description
55	691421	1	Housing-Starter, Rewind
58	697316	1	Rope-Starter (Cut To Required Length)
60	281434s	1	Grip-Rope, Starter
65	690837	1	Screw (Rewind Starter)
456	692299	1	Plate-Friction, Pawl
459	281505s	1	Ratchet-Pawl
592	690800	1	Nut (Rewind Starter)
597	691696	1	Screw (Pawl Friction Plate)
608	497680	1	Starter-Rewind
689	691855	1	Spring-Friction
1210	498144	1	Pulley And Spring ASM (Pulley)
1211	498144	1	Pulley And Spring ASM (Spring)

--	--	--	--



Assemblies include all parts shown in frames

Electric Starter Assembly Briggs and Stratton 126T07-0234-B1

Ref	Part No.	Qty.	Description
309	795092	1	Motor-Starter
510	795093	1	Drive-Starter
513	795100	1	Clutch-Drive
651	691660	1	Screw (Starter Gear Cover)
697	691127	1	Screw (Starter Motor)
742	795094	1	Retainer-E Ring
783	795096	1	Gear-Pinion
783A	795099	1	Gear-Pinion
784	795095	1	Cover-Starter Gear
785	795097	1	Gasket-Starter Cover
853	695268	1	Adapter-Wire
937	795098	1	Spline-Starter

Attachments and Accessories

For 20795 - 53cm Super Recycler Lawn Mower

Product Name	Model/Part
Traction Assist Handle Kit	108-8120
Toro Walk Mower Cover	490-7462
Plain Walk Mower Cover	490-7463
Dethatcher Kit	59131

NOTES

