



55cm Recycler[®] Lawn Mower

Model No. 20656 - 280000001 and up.

Parts Catalog

Ordering Replacement Parts

To order replacement parts, please supply the part number, the quantity, and the description of each part desired.

Understanding Reference Numbers

Each identified part in an illustration has a reference number. The reference number for a part also appears in the parts list, along with other information about the part.

This catalog uses two special reference number formats, one to indicate parts in a service assembly and another to indicate the quantity of a given part in an illustration.

Service Assembly Reference Numbers

Parts in service assemblies have reference numbers in the form a:b. The a represents the reference number of the entire service assembly and the b represents a sequential number unique to each part within the service assembly.

For example, a wheel assembly might be identified by reference number 6, the tire by 6:1, the valve by 6:2, and the wheel by 6:3. When you order the assembly identified by reference number 6, you receive all parts identified by reference numbers 6:1, 6:2, and 6:3. However, you may also order any part individually. Reference numbers of this type appear in illustrations and in part lists.

Reference Numbers Indicating Quantity

In an illustration, if a reference number indicates more than one part, the reference number has the form nX y. The n represents the quantity of the part, the X is the multiplication symbol, and the y represents the reference number.

For example, in an illustration, the reference number 2X 37 means that two of the parts identified by reference number 37 are indicated.

Contents

Description	Page	Description	Page
Deck, Side Chute and Rear Door Assembly	3	Air Cleaner Assembly Briggs and Stratton 126T05-0240-B1	15
Front Axle Assembly	4	Governor Assembly Briggs and Stratton 126T05-0240-B1	16
Rear Axle and Transmission Assembly	5	Muffler and Fuel Tank Assembly Briggs and Stratton 126T05-0240-B1	17
Transmission Assembly No. 106-3956	6	Blower Housing Assembly Briggs and Stratton 126T05-0240-B1	18
Engine and Blade Assembly	7	Starter Assembly Briggs and Stratton 126T05- 0240-B1	19
Handle Assembly	8	Electric Starter Assembly Briggs and Stratton 126T05-0240-B1	20
Electrical Assembly	9	Engine Gasket Set Briggs and Stratton 126T05-0240-B1	21
Rear Bag Assembly	10	Carburetor Overhaul Kit Briggs and Stratton 126T05-0240-B1	22
Cylinder Assembly Briggs and Stratton 126T05-0240-B1	11	Attachments and Accessories List	23
Crankshaft Assembly Briggs and Stratton 126T05-0240-B1	12		
Crankcase Assembly Briggs and Stratton 126T05-0240-B1	13		
Carburetor Assembly Briggs and Stratton 126T05-0240-B1	14		

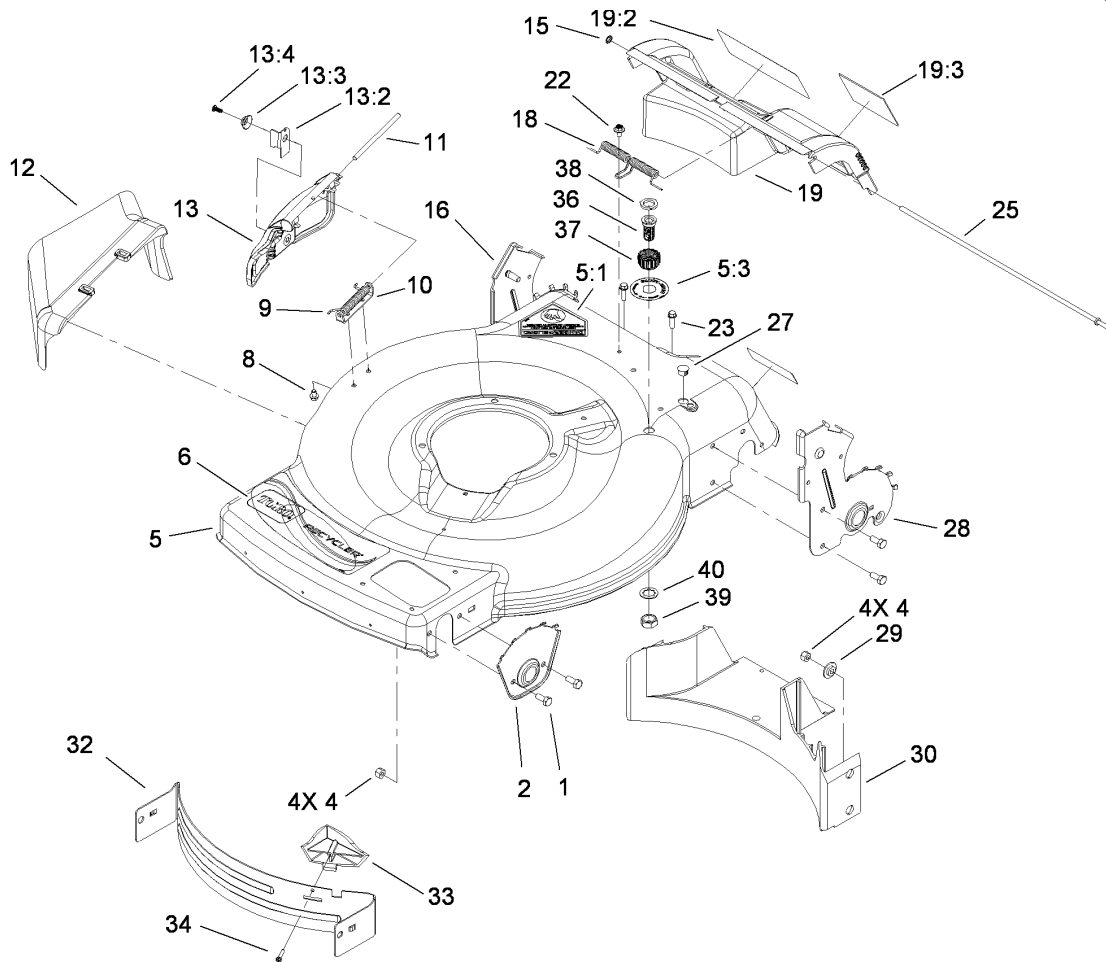
Part Description Abbreviations

Part descriptions in this catalog may include the following abbreviations.

AR. as required	HYD. hydraulic
ASM. assembly	LH. left hand
BBC. blade brake clutch	NI. nylon insert
CARR. carriage	NPTF. national pipe thread fine
DEG. degrees	PFH. phillips flat head
EXT. external	PPH. phillips pan head
FH. flat head	PPHTF. phillips pan head thread forming
GA. gauge	PRH. phillips round head
HD. heavy-duty	PTH. phillips truss head
HF. hex flange	PTO. power-take-off
HH. hex head	RH. right hand
HHF. hex head flange	ROPS. roll-over protection system
HHFTF. hex head flange thread forming	SFH. slotted fillister head
HJ. hex jam	SHH. slotted hex head
HLH. hex lag head	SHWH. slotted hex washer head
HOC. height-of-cut	SPH. slotted pan head
HSBH. hex socket button head	SQH. square head
HSFH. hex socket flat head	SRH. slotted round head
HSH. hex socket head	STD. standard
HWH. hex washer head	TAP. self tapping
HWHTF. hex washer head thread forming	TTH. torx truss head

Footnotes

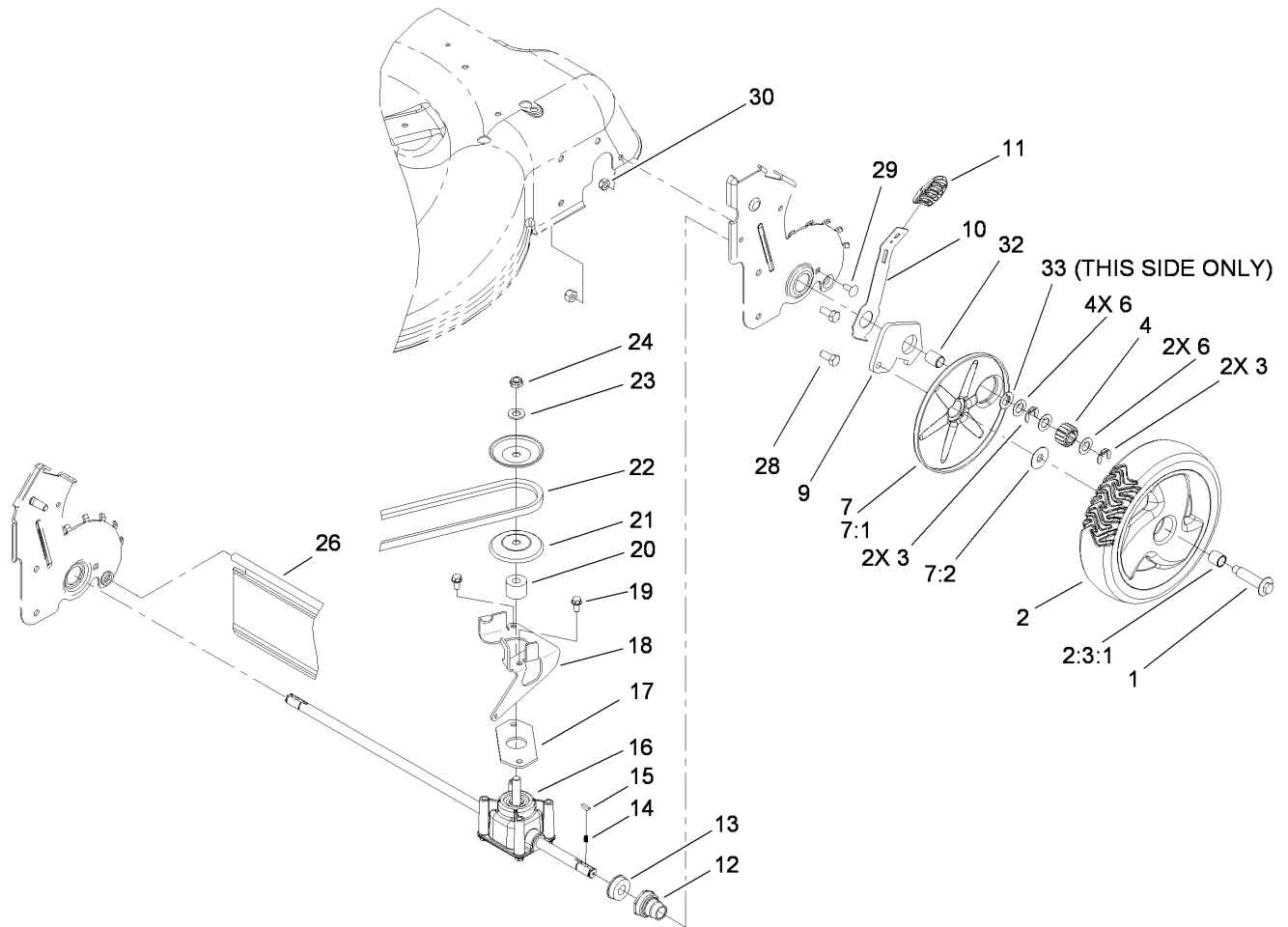
- | | |
|---|--|
| ❶ Not illustrated | ❷ Not serviced separately |
| ❸ Obtain from your local Briggs & Stratton dealer | ❹ Included in Carburetor Overhaul Kit (Ref. No. 121) |
| ❺ Included in Engine Gasket Set (Ref. No. 358) | ❻ Included in Carburetor Gasket Set (Ref. No. 977) |



Deck, Side Chute and Rear Door Assembly

Ref	Part No.	Qty.	Description
1	322-3	4	Screw-HH
2	105-1808-03	2	Plate-HOC, Front
4	3296-29	8	Nut-Lock, NI
5	115-1976	1	Housing ASM
5:1	112-8760	1	Decal-Danger
5:3	112-8867	1	Decal
6	114-0321	1	Decal
8	99-8445	2	Screw-HWH
9	99-5293	1	Spring-Torsion
10	112-6416	1	Bracket-Cover
11	99-5291	1	Rod-Cover
12	105-3028	1	Chute-Discharge, Side
13	106-8376	1	Discharge Door ASM
13:2	107-0795	1	Latch-Door
13:3	107-7456	1	Cap-Door
13:4	107-7461	1	Screw-Plastite
15	32112-6	1	Nut-Push
16	112-6441	1	8 Inch RH HOC Plate ASM
18	105-3032	1	Spring-Door, Rear
19	112-8865	1	Rear Door ASM
19:2	112-8759	1	Decal-Warning
19:3	104-7908	1	Decal-Warning
22	46-6810	1	Screw And Washer ASM
23	46-8091	2	Screw-HWH

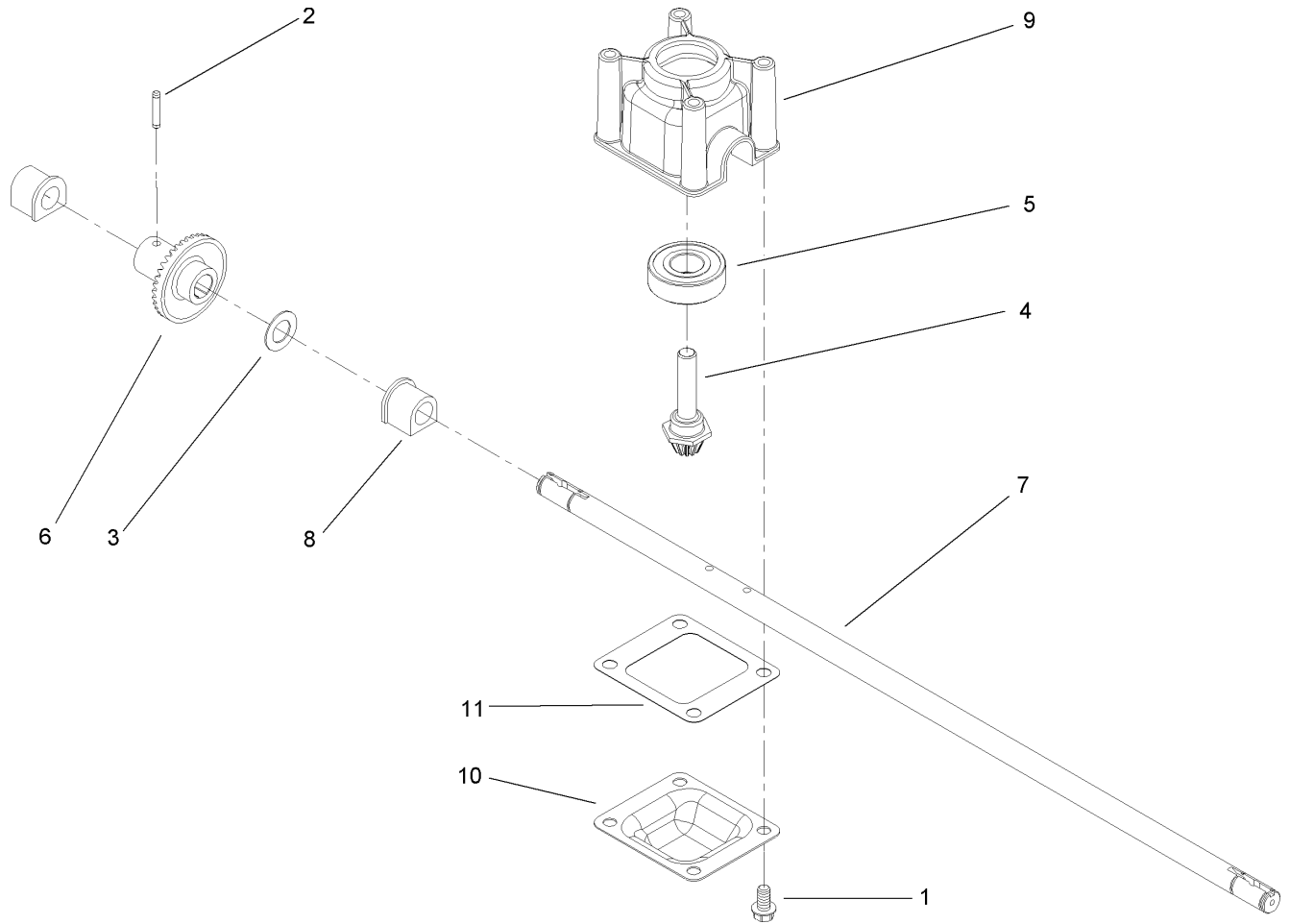
Ref	Part No.	Qty.	Description
25	105-1827	1	Rod-Pivot, Rear Door
27	104-9369	1	Plug-Dome
28	112-6443	1	8 Inch LH HOC Plate ASM
29	105-3006	4	Washer-Stepped
30	105-1834	1	Baffle-Rear
32	107-0793-03	1	Baffle-Front
33	107-0752	1	Kicker-Front
34	32144-111	1	Screw-PPH
36	112-6400	1	Port-Washout
37	112-6401	1	Coupling-Hose, Washout Port
38	112-6438	1	Washer-Seal, Washout Port
39	3218-6	1	Nut-Jam
40	3254-5	1	Washer-Tooth



Rear Axle and Transmission Assembly

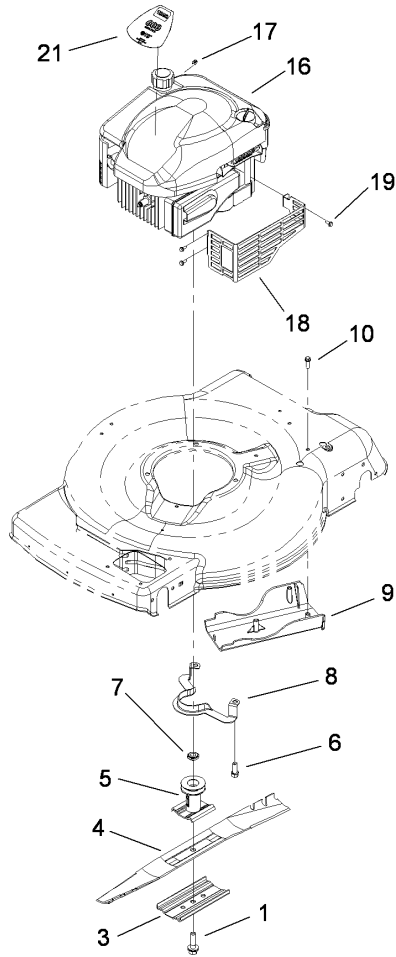
Ref	Part No.	Qty.	Description
1	614650	2	Bolt-Shoulder
2	105-3036	2	Wheel Gear ASM
1 2:3		1	Wheel ASM
2:3:1	27-6250	2	Bushing
3	65-2720	4	Ring-Clip, Locking
4	105-3040	2	Gear-Pinion, 15T
6	105-6840	6	Washer-Thrust
7	110-1792	2	Wheel Cover ASM
2 7:1		1	Cover-Wheel
7:2	614426	1	Washer-Stepped
9	108-9781	2	Arm-Pivot, Rear
10	108-9780	2	Arm-Spring
11	105-3042	2	Knob-Lever, HOC
12	108-9779	2	Retainer-Bushing, HOC
13	104-8699	2	Bearing-Ball
14	39-9650	2	Spring-Compression
15	612066	2	Key
16	106-3956	1	Transmission ASM
17	108-9756	1	Gasket-Gearbox
18	106-6809-03	1	Bracket-Pivot
19	32144-4	2	Screw-HWH
20	92-5791	1	Spacer
21	100-1176	2	Pulley-Half
22	91-2258	1	V-Belt

Ref	Part No.	Qty.	Description
23	3256-24	1	Washer-Flat
24	3296-5	1	Nut-Lock
26	114-1585	1	Shield-Trailing
28	322-4	4	Screw-HH
29	3229-11	2	Screw-CARR
30	3296-16	2	Nut-Lock, NI
32	108-9782	2	Bushing-Sleeve
33	110-7191	1	Washer-Thrust



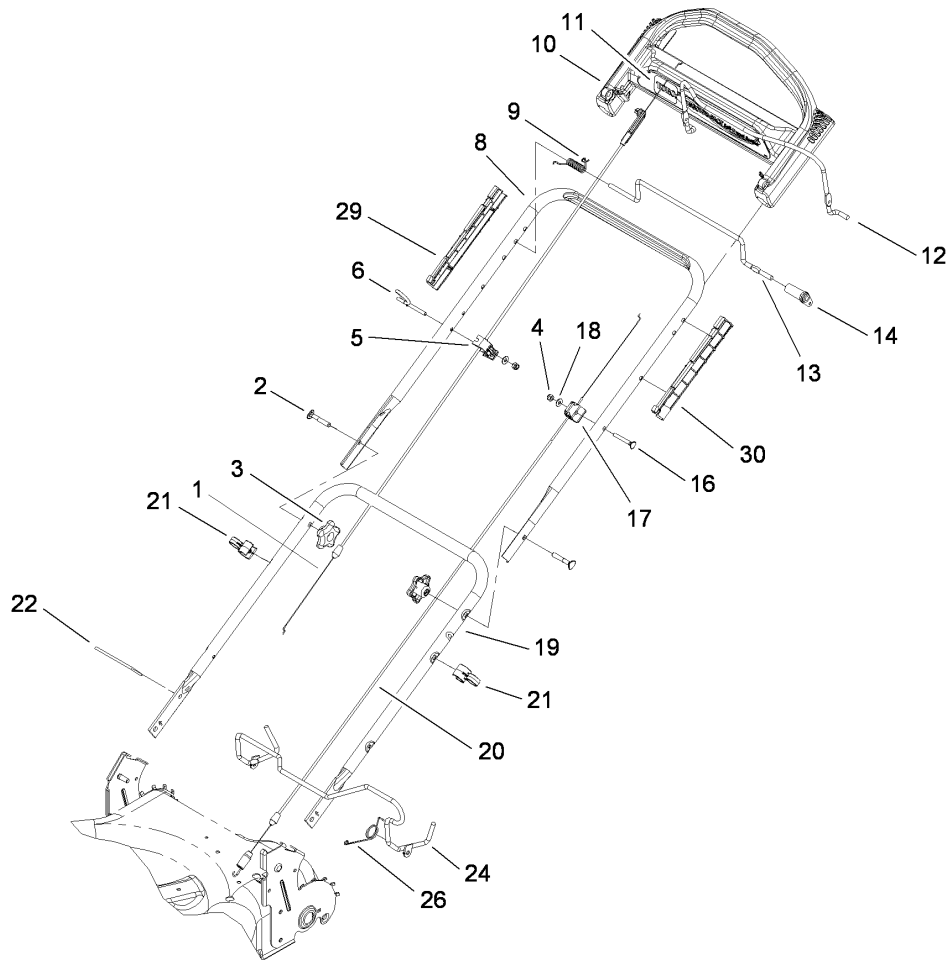
Transmission Assembly No. 106-3956

Ref	Part No.	Qty.	Description
1	32144-4	4	Screw-HWH
2	3285-19	1	Pin-Groove
3	36-4780	1	Washer-Plain
4	92-5790	1	Pinion
5	100-1048	1	Bearing-Ball
6	104-8671	1	Gear-Bevel, 37T
7	106-3957	1	Shaft-Output
8	104-8673	2	Bushing-Shaft, Output
9	104-8674	1	Gearcase-Upper
10	104-8675-03	1	Cover-Gearcase
11	105-6839	1	Gasket-Gearcase



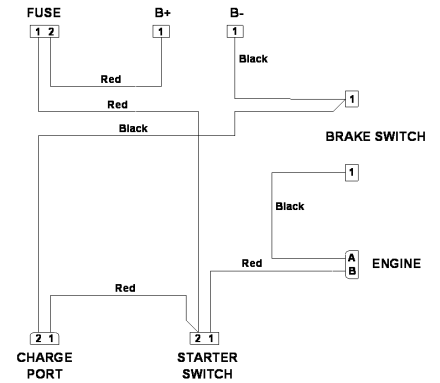
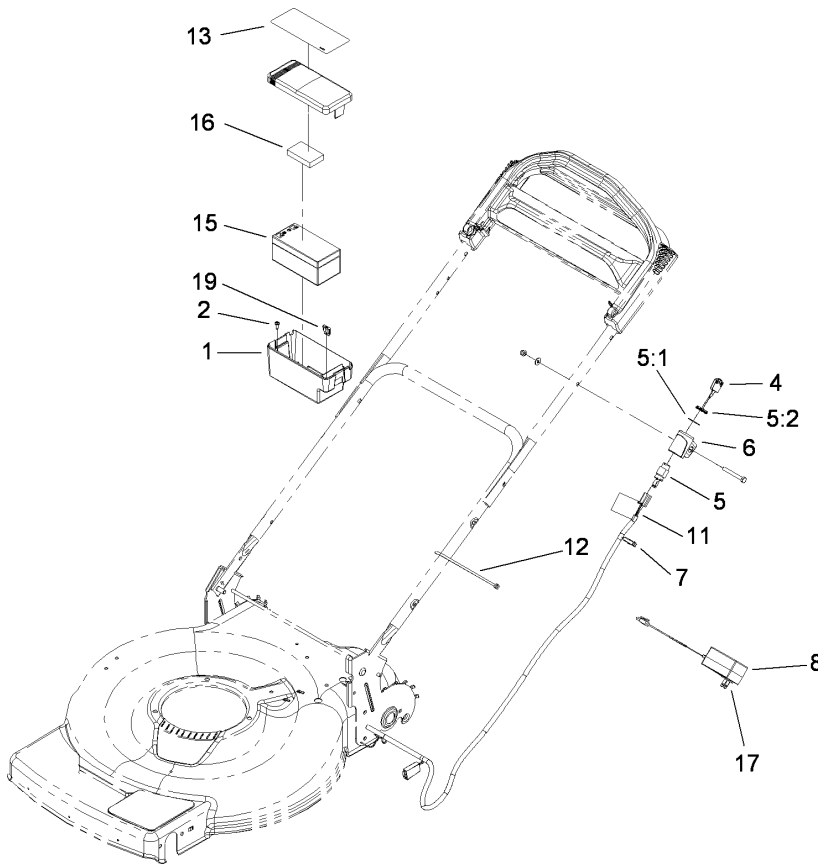
Engine and Blade Assembly

Ref	Part No.	Qty.	Description				
1	105-8579	1	Bolt-Blade				
3	105-6848-03	1	Accelerator-Blade				
4	108-9783-03	1	Blade				
5	106-3987	1	Blade Driver ASM				
6	95-1726	3	Screw-Taptite				
7	106-3999	1	Spacer-Driver				
8	105-3030-03	1	Guide-Belt				
9	105-1835	1	Cover-Belt, Rear				
10	46-8091	3	Screw-HWH				
16		1	Engine-Briggs And Stratton, 126T05-0240-B1				
17	2210-316	1	Stop-Rope				
18	104-7577-03	1	Shield-Muffler				
19	32144-1	3	Screw-Taptite				
21	114-2605	1	Decal				



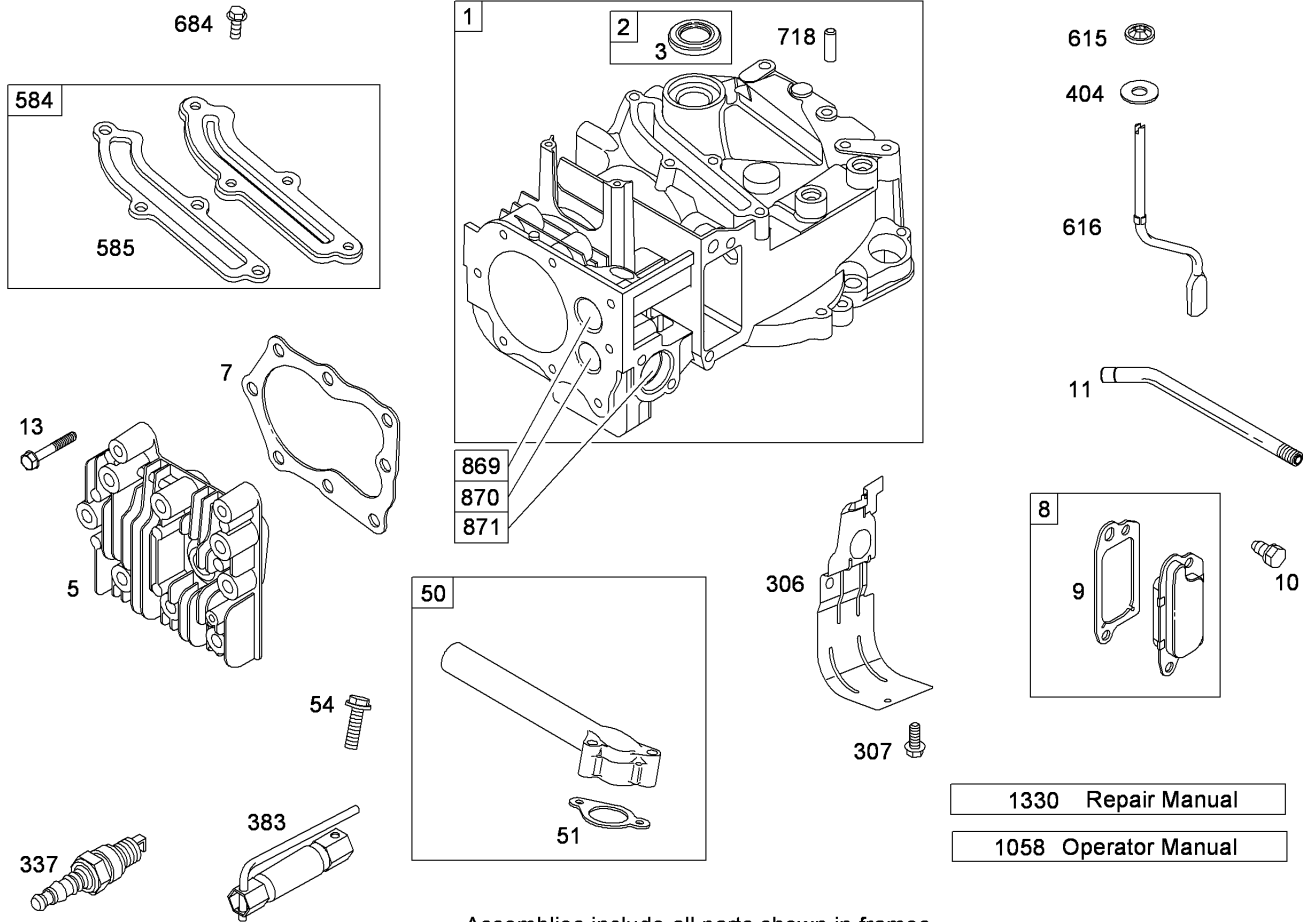
Handle Assembly

Ref	Part No.	Qty.	Description
1	104-8676	1	Cable-Brake
2	112-8876	2	Screw-Handle
3	108-8162	2	Knob-Locking
4	3296-73	2	Nut-Lock, NI
5	106-8331	1	Anchor-Cable
6	106-8330	1	Guide-Rope
8	104-8680-05	1	Handle-Upper
9	104-8690	1	Spring-Torsion
10	104-8678	1	Handle-Control
11	110-7056	1	Decal-Ads, Handle
12	104-8679-03	1	Bail-Brake
13	99-1588	1	Bar-Control, Traction
14	99-1589	1	Lever-Traction
16	321-50	1	Screw-HH
17	92-7729	1	Anchor-Cable, Upper
18	3256-1	2	Washer-Flat
19	112-6440-05	1	Handle-Lower
20	105-1844	1	Cable-Traction
21	106-6805	2	Guide-Cable
22	614249	1	Strap-Tie
24	107-0768	1	Release Lever ASM
26	107-7472	1	Spring-Torsion
29	105-6841	1	Guide-RH
30	105-6842	1	Guide-LH



Electrical Assembly

Ref	Part No.	Qty.	Description
1	108-4844	1	Battery Box ASM
2	105-6849	2	Screw-Thread Forming
4	700918	1	Key
5	46-5780	1	Switch-Starter
5:1	3254-5	1	Washer-Tooth
5:2	218-461	1	Nut-HH
6	108-9760	1	Mount-Switch
7	106-8378	1	Harness-Wire
8	98-2391	1	Charger-European, 12V Dc
11	104-7953	1	Decal-Harness
12	614249	3	Strap-Tie
13	108-4791	1	Decal-Instructional
15	106-8397	1	Battery-12 Volt
16	107-3774	1	Foam-Battery, Top
17	107-3749	1	Adapter-Charger
19	99-6124	2	Fuse-40 Amp

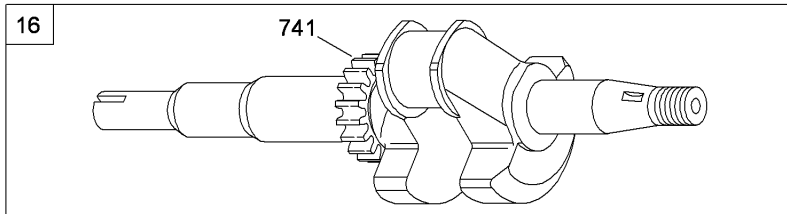
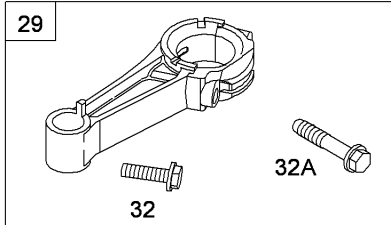
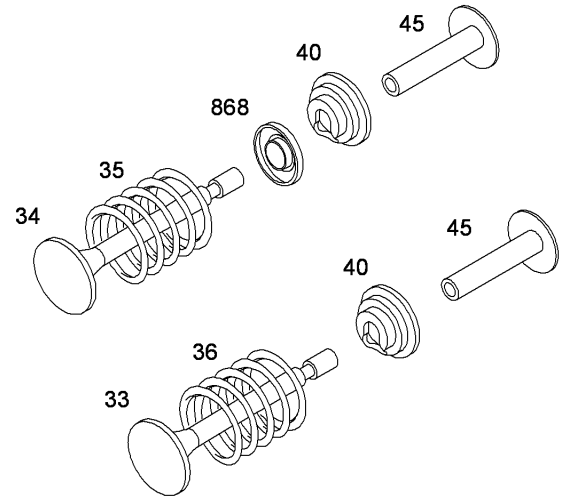
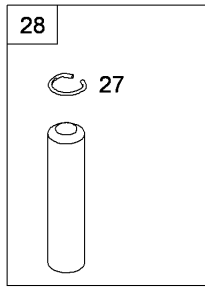
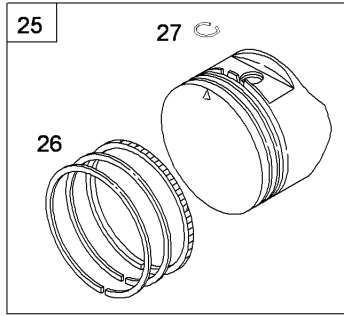


Assemblies include all parts shown in frames

Cylinder Assembly Briggs and Stratton 126T05-0240-B1

Ref	Part No.	Qty.	Description
1	697322	1	Cylinder ASM
2	399269	1	Bushing And Seal Kit
3	299819s	1	Seal-Oil (Magneto Side)
5	691160	1	Head-Cylinder
7	692249	1	Gasket-Head, Cylinder
8	695250	1	Breather ASM
9	696125	1	Gasket-Breather
10	691125	1	Screw (Breather ASM)
11	691781	1	Tube-Breather
13	690912	1	Screw (Cylinder Head)
50	794305	1	Manifold-Intake
51	794306	1	Gasket-Intake
54	691650	1	Screw (Intake Manifold)
306	790836	1	Shield-Cylinder
307	690345	1	Screw (Cylinder Shield)
337	802592s	1	Plug-Spark
383	89838s	1	Wrench-Spark Plug
404	690272	1	Washer (Governor Crank)
584	697734	1	Cover-Passage, Breather
585	691879	1	Gasket-Passage, Breather
615	690340	1	Retainer-Shaft, Governor
616	698801	1	Crank-Governor
684	690345	1	Screw (Breather Passage Cover)
718	690959	1	Pin-Locating

Ref	Part No.	Qty.	Description
869	691155	1	Seat-Valve (Intake)
870	690380	1	Seat-Valve (Exhaust)
871	262001	1	Bushing-Guide (Exhaust)
871	63709	1	Bushing-Guide (Intake)
1058	MS3262	1	Operator Manual
1330	270962	1	Repair Manual

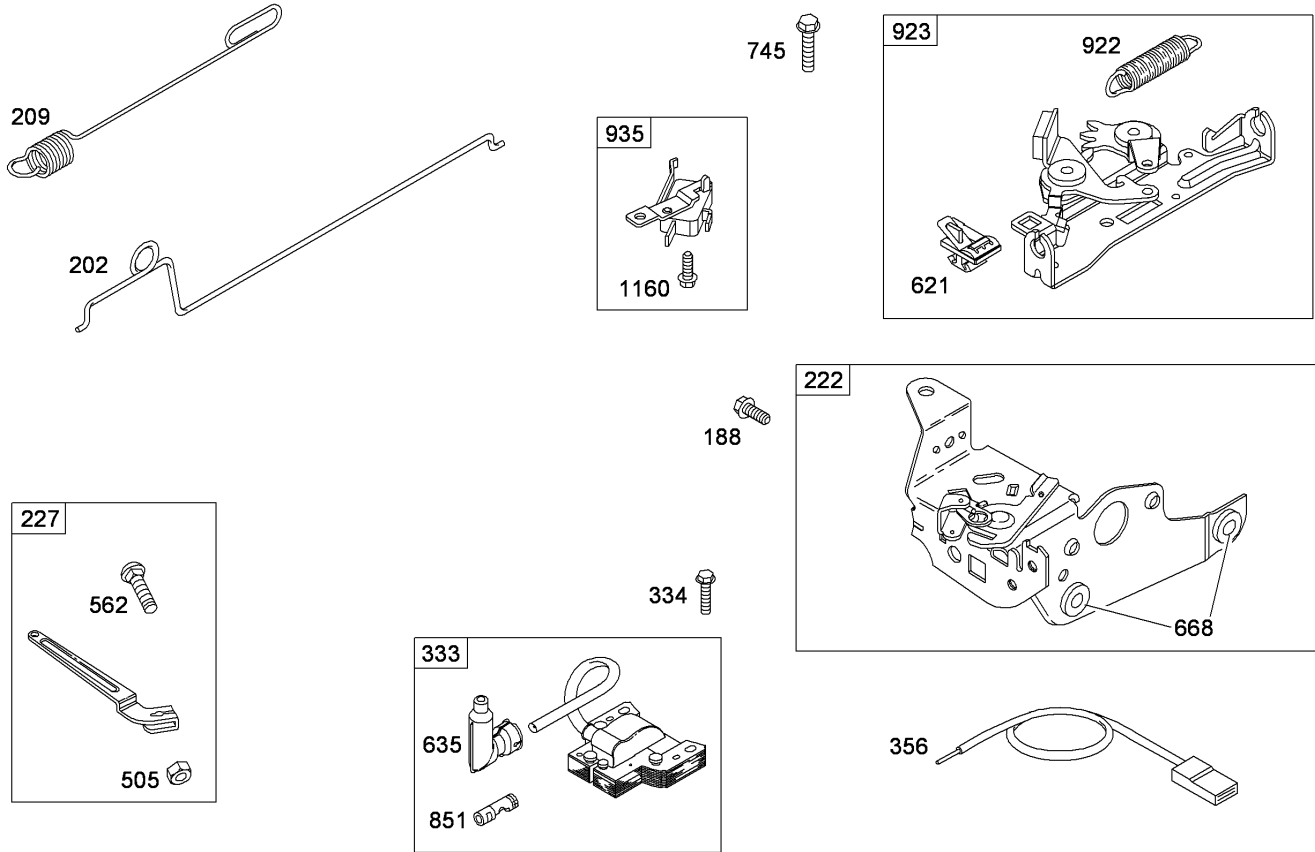


Assemblies include all parts shown in frames

Crankshaft Assembly

Briggs and Stratton 126T05-0240-B1

Ref	Part No.	Qty.	Description
16	696009	1	Crankshaft
24	222698s	1	Key-Flywheel
25	791097	1	Piston ASM (STD)
25	791326	1	Piston ASM (.020 O S)
26	791098	1	Ring Set (STD)
26	791324	1	Ring Set (.020 O S)
27	691866	1	Lock-Pin, Piston
28	499423	1	Pin-Piston (STD)
29	499424	1	Rod-Connecting (STD)
32	691664	1	Screw (Connecting Rod)
32A	695759	1	Screw (Connecting Rod)
33	262651s	1	Valve-Exhaust
34	262652s	1	Valve-Intake
35	691270	1	Spring-Valve (Intake)
36	691270	1	Spring-Valve (Exhaust)
40	692194	1	Retainer-Valve
45	690548	1	Tappet-Valve
741	790345	1	Gear-Timing
868	697338	1	Seal-Valve

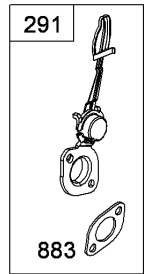
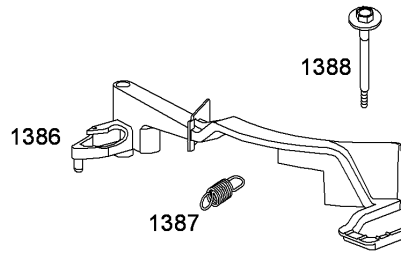
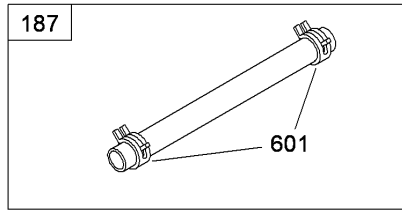
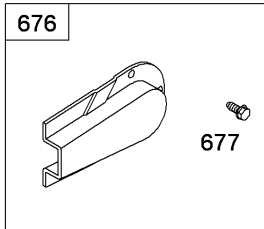
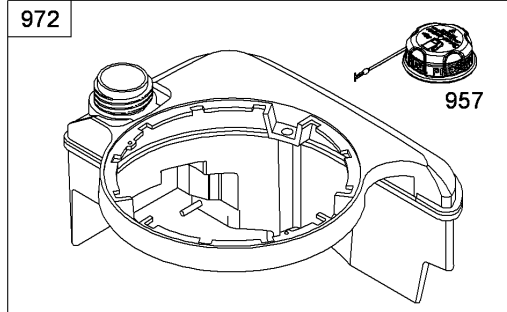
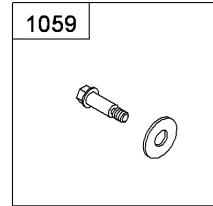
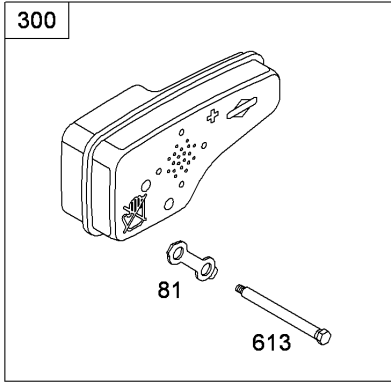


Assemblies include all parts shown in frames

Governor Assembly Briggs and Stratton 126T05-0240-B1

Ref	Part No.	Qty.	Description
① 188	693399	1	Screw (Control Bracket)
① 202	691829	1	Link-Governor, Mechanical
① 209	691852	1	Spring-Governor
① 222	793754	1	Bracket-Control
① 227	690783	1	Lever-Control, Governor
① 333	793353	1	Armature-Magneto
① 334	691061	1	Screw (Magneto Armature)
① 356	692390	1	Wire-Stop
① 505	691251	1	Nut (Governor Control Lever)
① 562	691119	1	Bolt (Governor Control Lever)
① 621	692310	1	Switch-Stop
① 635	793351	1	Boot-Spark Plug
① ① 668	493823	1	Spacer
① 745	691648	1	Screw (Brake)
① 851	692424	1	Terminal-Spark Plug
① 922	691831	1	Spring-Brake
① 923	691994	1	Brake ASM
① 935	499421	1	Switch-Interlock
① 1160	691627	1	Screw (Interlock Switch)

--	--	--	--

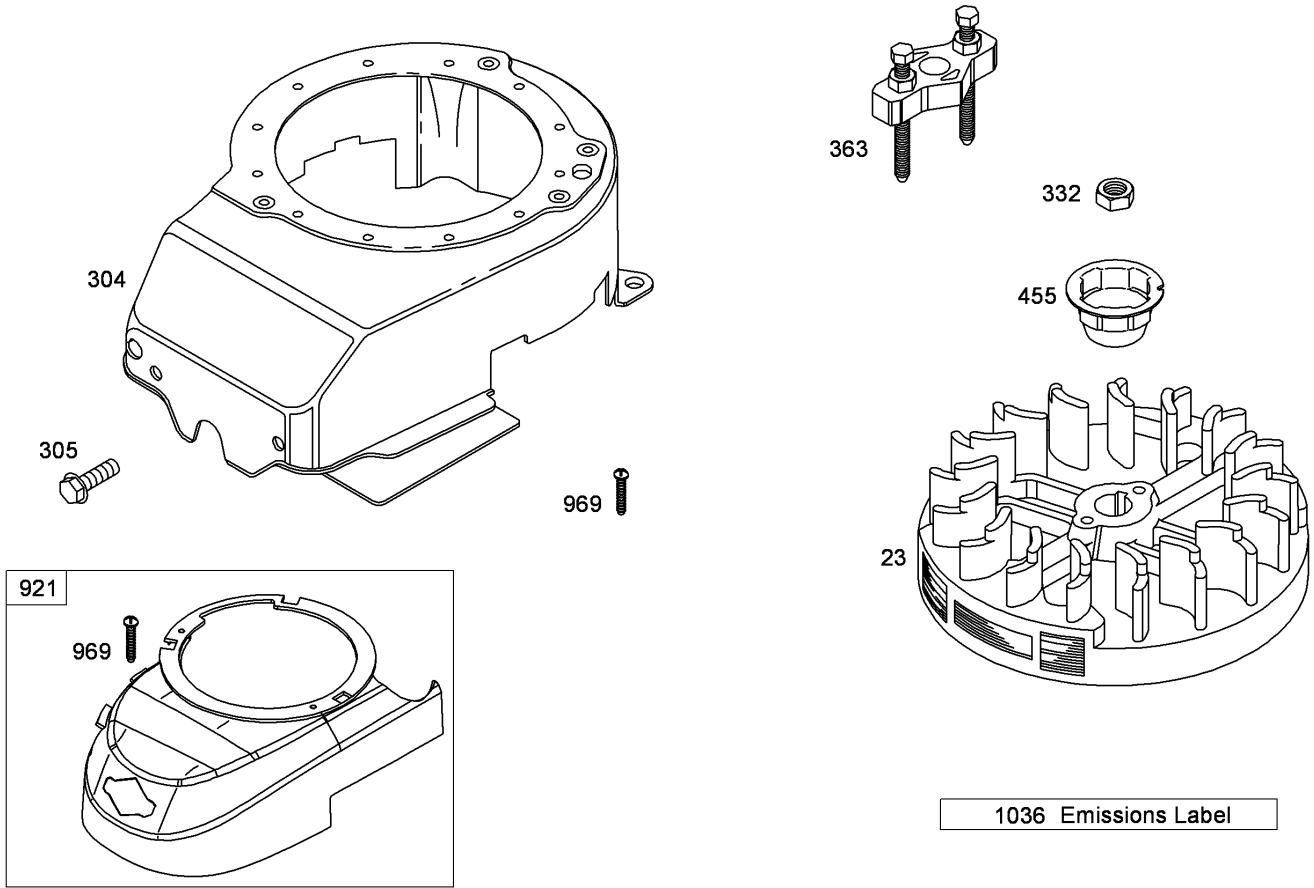


Assemblies include all parts shown in frames

Muffler and Fuel Tank Assembly Briggs and Stratton 126T05-0240-B1

Ref	Part No.	Qty.	Description
81	691740	1	Line-Fuel (Cut To Required Length)
187	791873	1	Screw (Fuel Tank)
190	690940	1	Screw
291	790830	1	Thermostat
300	692038	1	Muffler
601	791850	1	Clamp-Hose
613	691340	1	Screw (Muffler)
670	692294	1	Spacer-Tank, Fuel
676	493871	1	Deflector-Muffler
677	690661	1	Screw (Muffler Deflector)
883	691881	1	Gasket-Exhaust
957	699985	1	Cap-Tank, Fuel
972	699374	1	Tank-Fuel
1059	692311	1	Screw And Washer Kit
1386	790848	1	Vane-Air
1387	790849	1	Spring-Vane, Air
1388	790850	1	Screw (Air Vane)

--	--	--	--

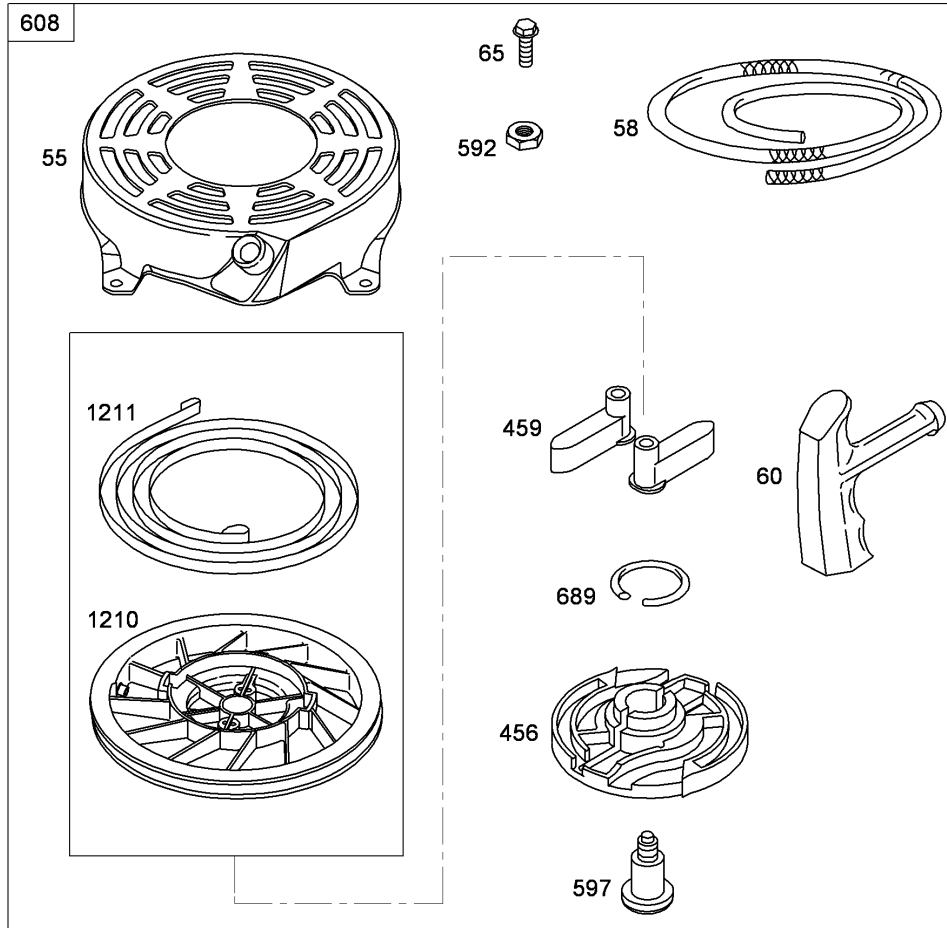


Assemblies include all parts shown in frames

Blower Housing Assembly Briggs and Stratton 126T05-0240-B1

Ref	Part No.	Qty.	Description
③23	691987	1	Flywheel
③304	790983	1	Housing-Blower
③305	691108	1	Screw (Blower Housing)
③332	690662	1	Nut (Flywheel)
③363	19069	1	Puller-Flywheel
③455	791760	1	Cup-Flywheel
③921	790036	1	Cover-Housing, Blower
③969	691138	1	Screw (Blower Housing Cover)
③1036		1	Label-Emissions

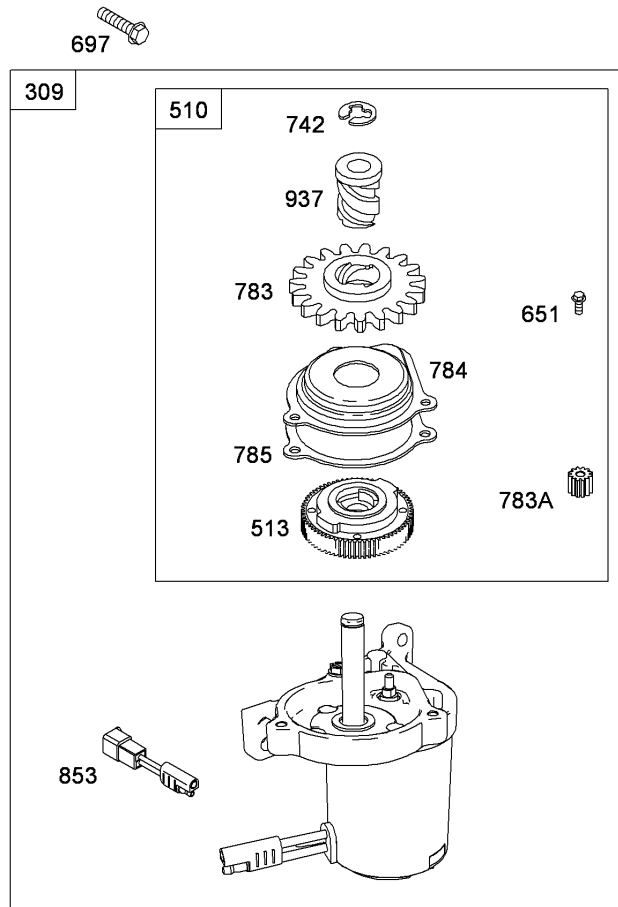
--	--	--	--



Starter Assembly Briggs and Stratton 126T05-0240-B1

Ref	Part No.	Qty.	Description
● 55	691421	1	Housing-Starter, Rewind
● 58	697316	1	Rope-Starter (Cut To Required Length)
● 60	281434s	1	Grip-Rope, Starter
● 65	690837	1	Screw (Rewind Starter)
● 456	692299	1	Plate-Friction, Pawl
● 459	281505s	1	Ratchet-Pawl
● 592	690800	1	Nut (Rewind Starter)
● 597	691696	1	Screw (Pawl Friction Plate)
● 608	497680	1	Starter-Rewind
● 689	691855	1	Spring-Friction
● 1210	498144	1	Pulley And Spring ASM (Pulley)
● 1211	498144	1	Pulley And Spring ASM (Spring)

--	--	--	--



Assemblies include all parts shown in frames

Electric Starter Assembly Briggs and Stratton 126T05-0240-B1

Ref	Part No.	Qty.	Description
309	795092	1	Motor-Starter
510	795093	1	Drive-Starter
513	692358	1	Clutch-Drive
651	691660	1	Screw (Starter Gear Cover)
697	691127	1	Screw (Drive Cap)
742	93941	1	Retainer-E Ring
783	691918	1	Gear-Pinion
783A	691269	1	Gear-Pinion
784	7950951	1	Cover-Gear, Starter
785	692352	1	Gasket-Cover, Starter
853	695268	1	Adapter-Wire
937	691325	1	Spline-Starter

Attachments and Accessories

For 20656 - 55cm Recycler Lawn Mower

Product Name	Model/Part
Traction Assist Handle Kit	108-8120
Replacement Bag	59288
Bagger Kit	59301

