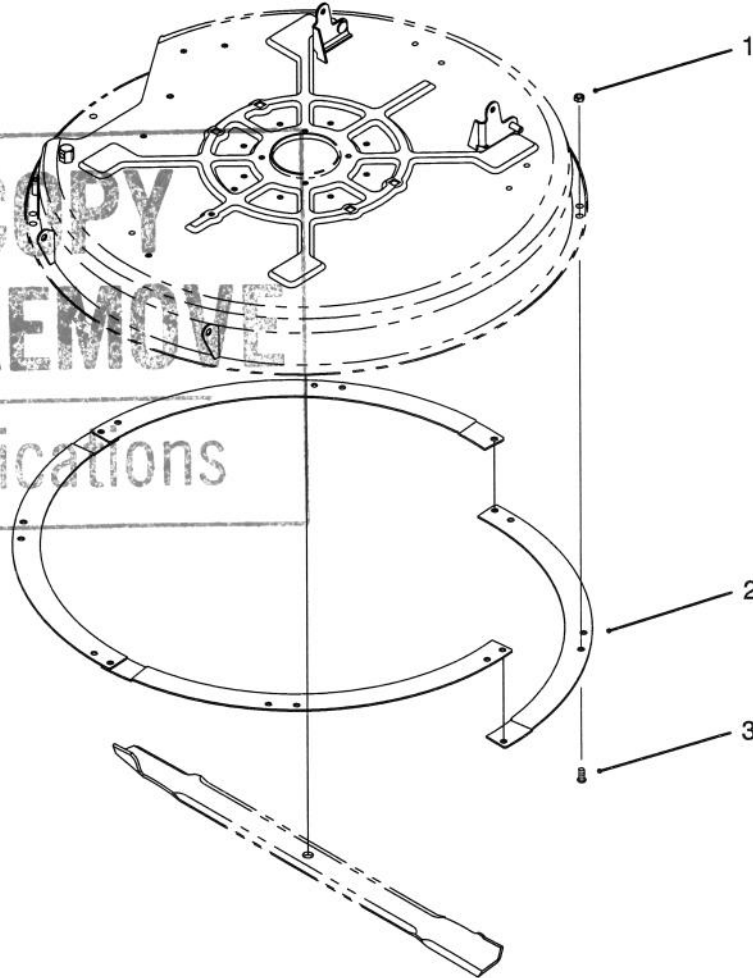


# WET GRASS BAGGING KIT

PART NO. 38-5730

PARTS  
CATALOG

ONLY COPY  
DO NOT REMOVE  
Tech. Publications



C-1595

## RING ASSEMBLY

Ref. No.	Part No.	Description	No. Used
1	3296-29	Nut - Lock	8
2	88-9780	Ring - Deck	4

Ref. No.	Part No.	Description	No. Used
3	32122-14	Screw - Truss Hd.	8

