



TRX-19 Trencher

Model No. 22971 - 280000001 and up.

Parts Catalog

Ordering Replacement Parts

To order replacement parts, please supply the part number, the quantity, and the description of each part desired.

Understanding Reference Numbers

Each identified part in an illustration has a reference number. The reference number for a part also appears in the parts list, along with other information about the part.

This catalog uses two special reference number formats, one to indicate parts in a service assembly and another to indicate the quantity of a given part in an illustration.

Service Assembly Reference Numbers

Parts in service assemblies have reference numbers in the form a:b. The a represents the reference number of the entire service assembly and the b represents a sequential number unique to each part within the service assembly.

For example, a wheel assembly might be identified by reference number 6, the tire by 6:1, the valve by 6:2, and the wheel by 6:3. When you order the assembly identified by reference number 6, you receive all parts identified by reference numbers 6:1, 6:2, and 6:3. However, you may also order any part individually. Reference numbers of this type appear in illustrations and in part lists.

Reference Numbers Indicating Quantity

In an illustration, if a reference number indicates more than one part, the reference number has the form nX y. The n represents the quantity of the part, the X is the multiplication symbol, and the y represents the reference number.

For example, in an illustration, the reference number 2X 37 means that two of the parts identified by reference number 37 are indicated.

Contents

Description	Page	Description	Page
Frame Assembly 3	Electrical Assembly 18
Track and Drive Assembly 4	Cylinder and Crankcase Assembly 19
Hydraulic Pump Assembly No. 115-1283 and 115-1284 6	Piston and Crankshaft Assembly 20
Hydraulic Motor Assembly No. 104-8470 7	Valve and Camshaft Assembly 21
Parking Brake Assembly 8	Lubrication Equipment Assembly 22
Engine Assembly 9	Cooling Equipment Assembly 23
Control Assembly 11	Electric Equipment Assembly 24
Trencher Assembly 12	Control Equipment Assembly 25
Control Tower Assembly 13	Carburetor Assembly 26
Hydraulic Control Assembly 14	Air Filter and Muffler Assembly 27
Hydraulic Valve Assembly No. 115-1201 15	Fuel Tank and Valve Assembly 28
Oil Cooler Assembly 16	Starter Assembly 29
Hydraulic Routing Assembly 17	Label Set 30
		Attachments and Accessories List 31

Part Description Abbreviations

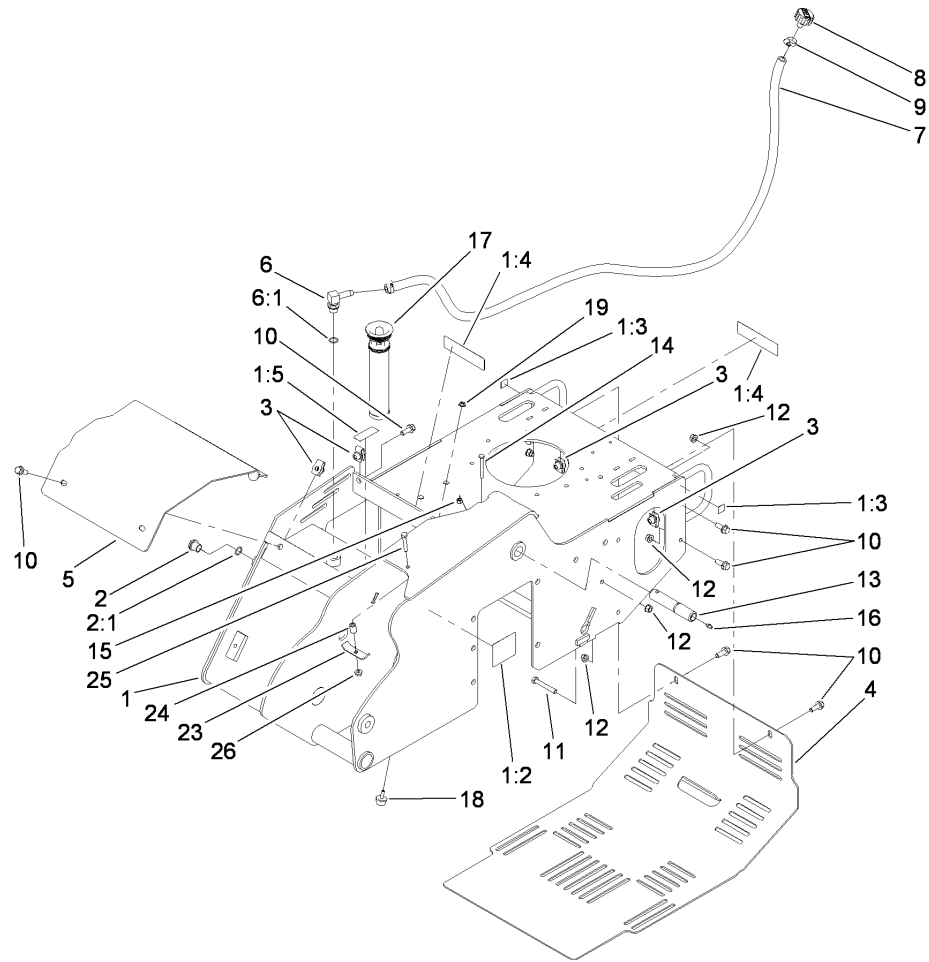
Part descriptions in this catalog may include the following abbreviations.

AR. as required	HYD. hydraulic
ASM. assembly	LH. left hand
BBC. blade brake clutch	NI. nylon insert
CARR. carriage	NPTF. national pipe thread fine
DEG. degrees	PFH. phillips flat head
EXT. external	PPH. phillips pan head
FH. flat head	PPHTF. phillips pan head thread forming
GA. gauge	PRH. phillips round head
HD. heavy-duty	PTH. phillips truss head
HF. hex flange	PTO. power-take-off
HH. hex head	RH. right hand
HHF. hex head flange	ROPS. roll-over protection system
HHFTF. hex head flange thread forming	SFH. slotted fillister head
HJ. hex jam	SHH. slotted hex head
HLH. hex lag head	SHWH. slotted hex washer head
HOC. height-of-cut	SPH. slotted pan head
HSBH. hex socket button head	SQH. square head
HSFH. hex socket flat head	SRH. slotted round head
HSH. hex socket head	STD. standard
HWH. hex washer head	TAP. self tapping
HWHTF. hex washer head thread forming	TTH. torx truss head

Footnotes

❶ Not illustrated

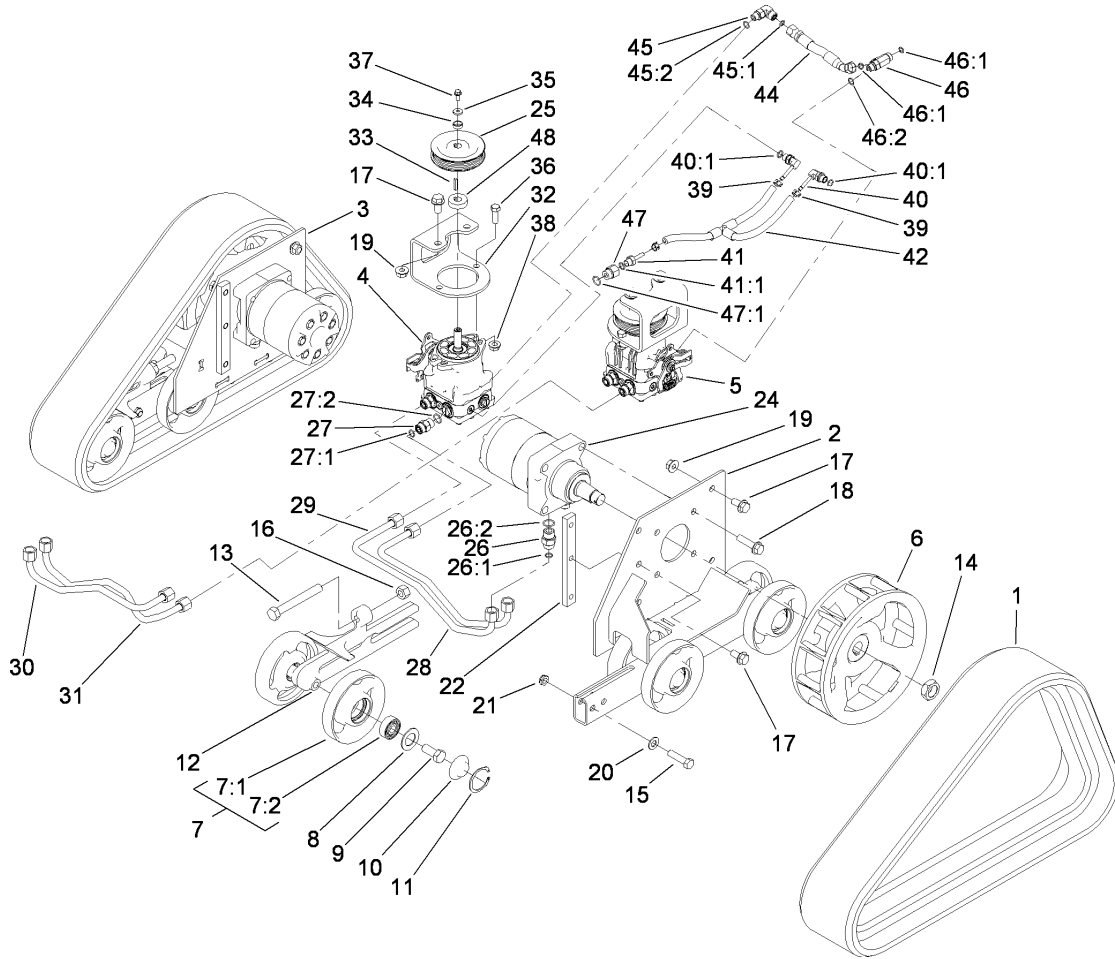
❷ Not serviced separately



Frame Assembly

Ref	Part No.	Qty.	Description
1	114-8630	1	Main Frame ASM
1:2	100-4650	1	Decal-Warning
1:3	93-9084	2	Decal-Point, Lift
1:4	93-7814	2	Decal-Danger
1:5	93-6686	1	Decal-Oil, HYD
2	114-3075	1	Glass-Sight
2:1	237-79	1	O-Ring
3	112-4576	5	Nut-Tinnerman
4	114-2926-01	1	Cover-Rear
5	114-2925-03	1	Cover-Front
6	354-120	1	Fitting-HYD, 90 DEG
6:1	237-79	1	O-Ring
7	114-3042	1	Hose-Breather
8	68-6150	1	Breather
9	2412-36	2	Clamp-Hose
10	3234-11	5	Screw-HHF
11	323-12	1	Screw-HH
12	32128-40	2	Nut-Flange
13	114-2937	1	Pin-Pivot
14	321-18	1	Screw-HH
15	3296-42	1	Nut-Lock, NI
16	302-5	1	Fitting-Grease
17	114-3039	1	In-Tank Filter ASM
18	1-523420	1	Bumper

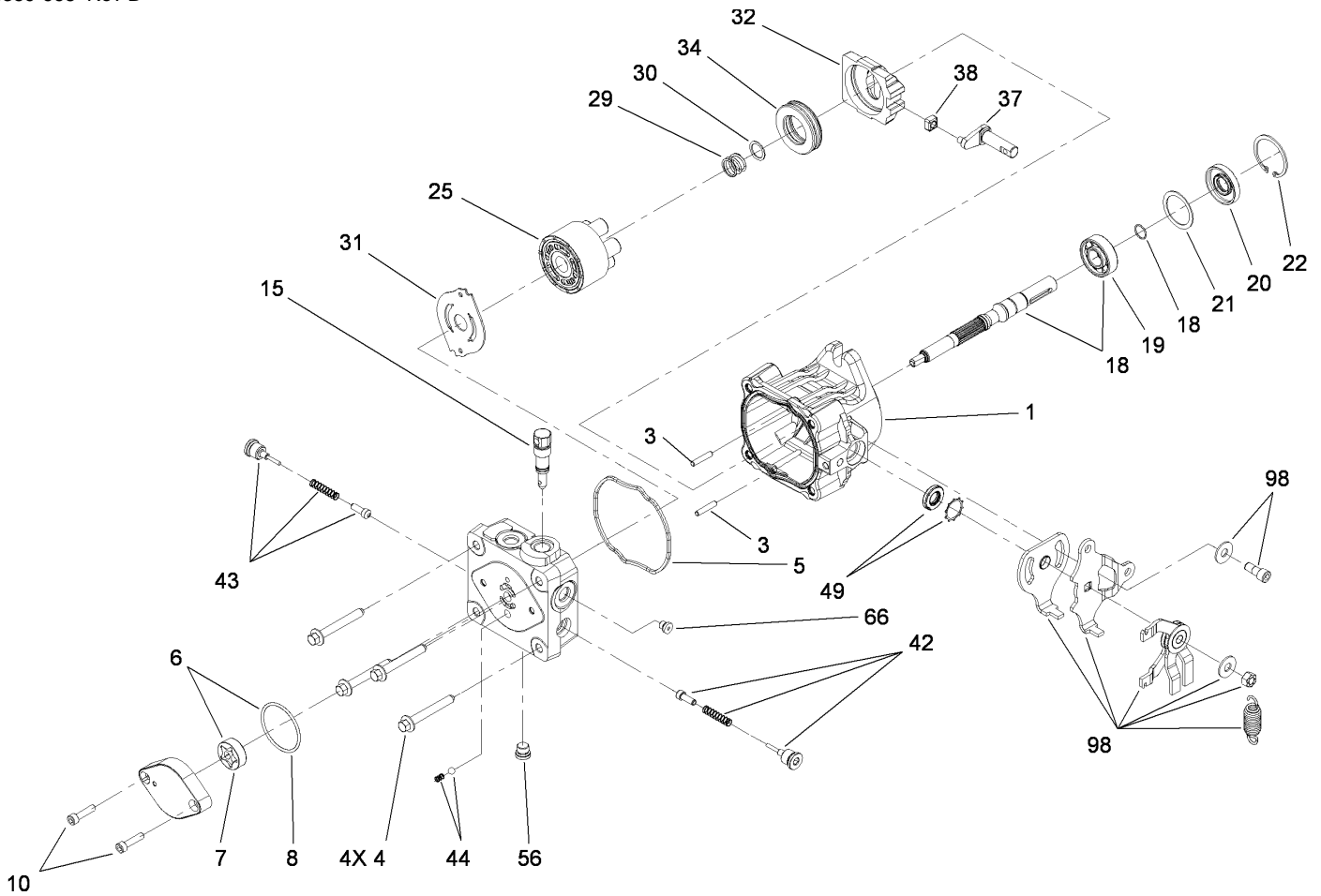
Ref	Part No.	Qty.	Description
19	32128-33	1	Nut-HF
23	100-4860	1	Bracket-Clamp
24	93-5023	1	Spacer
25	322-9	1	Screw-HH
26	32128-20	1	Nut-HF



Track and Drive Assembly

Ref	Part No.	Qty.	Description
1	112-4816	2	Track-Rubber
2	114-2992-03	1	LH Track Frame ASM
3	114-2993-03	1	RH Track Frame ASM
4	115-1283	1	RH HYD Pump ASM
5	115-1284	1	LH HYD Pump ASM
6	108-5648-03	2	Wheel-Drive
7	112-4817	12	Wheel-Tensioner
7:1	114-3014-03	1	Wheel-Track
7:2	93-4237	1	Bearing
8	106-7585	12	Gasket-Bogie
9	327-4	12	Screw-HH
10	106-7557	12	Cap-Wheel, Bearing
11	106-7595	12	Ring-Snap, Internal
12	114-3077-03	2	Tensioner-Track
13	112-4874	2	Screw-HH, TAP
14	106-8159	2	Nut-Lock
15	325-8	4	Screw-HH
16	3217-11	2	Nut-Hex
17	3234-6	14	Screw-HHF
18	3234-27	8	Screw-Flange
19	32128-49	8	Nut-HHF
20	3256-26	4	Washer-Flat
21	3296-45	4	Nut-Lock, NI
22	114-3091	2	Bar-Thread

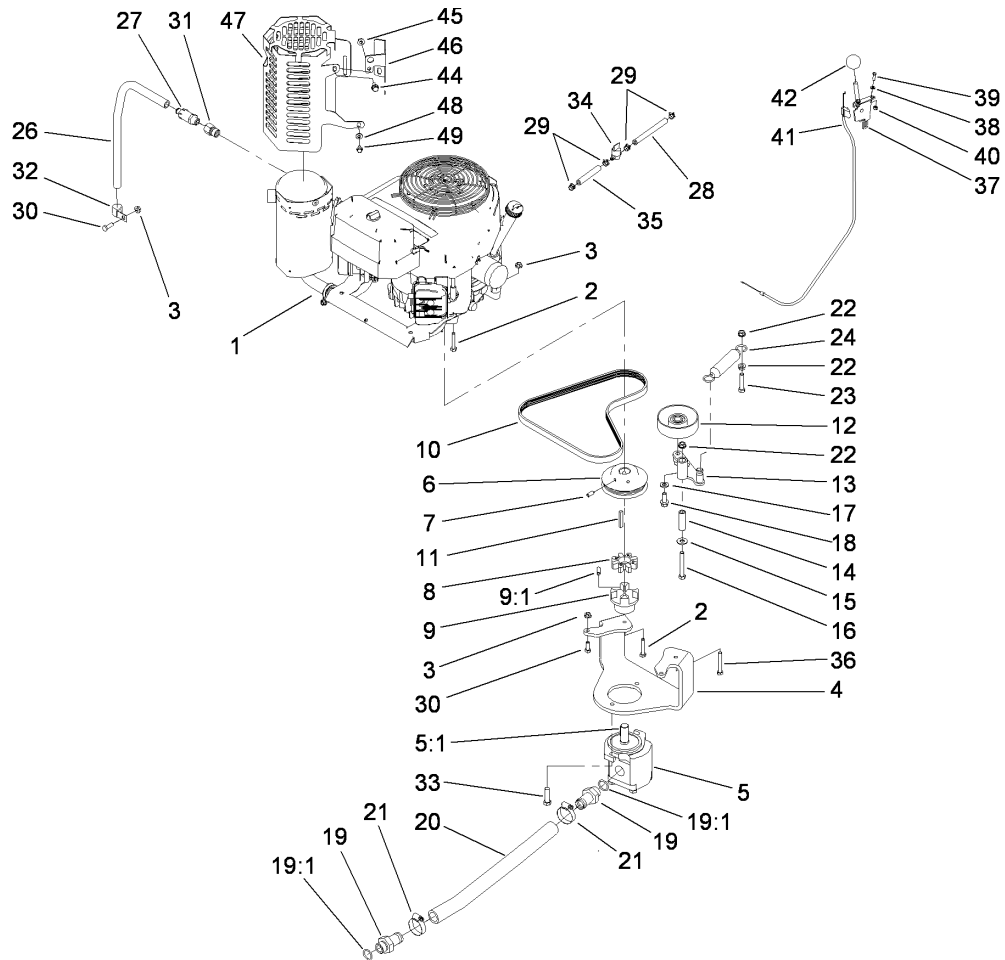
Ref	Part No.	Qty.	Description
24	104-8470	2	Motor-Wheel, HYD
25	115-1298	2	Sheave-5K
26	340-6	4	Fitting-HYD, Straight
26:1	237-30	1	O-Ring
26:2	237-80	1	O-Ring
27	340-4	4	Fitting-HYD, Straight
27:1	237-30	1	O-Ring
27:2	237-79	1	O-Ring
28	115-1285	1	HYD Tube ASM
29	115-1286	1	HYD Tube ASM
30	115-1287	1	HYD Tube ASM
31	115-1288	1	HYD Tube ASM
32	115-1289-01	2	Bracket-Mount, Pump
33	80-6090	2	Key-Pump
34	108-4211	2	Bushing
35	73-3580	2	Washer
36	324-5	4	Screw-HH
37	33103-016	2	Screw-HHF
38	32128-42	4	Nut-HF
39	103-1716	3	Clamp-Hose
40	103-1799	2	Elbow-90 DEG
40:1	237-42	1	O-Ring
41	103-1801	1	Adapter-Straight
41:1	237-42	1	O-Ring



Hydraulic Pump Assembly No. 115-1283 and 115-1284

Ref	Part No.	Qty.	Description
1	114-0278	1	Housing Kit
3	106-8753	2	Pin-Headless, Straight
4	106-8754	4	Bolt-HF
5	106-8755	1	O-Ring
6	106-8756	1	Charge Pump Kit
7	104-2122	1	Gerotor ASM
8	106-8757	1	O-Ring
10	104-2111	2	Capscrew
15	106-8759	1	Bypass Valve Kit
18	103-2664	1	Input Shaft Kit
19	104-5311	1	Bearing-Ball
20	104-5310	1	Seal-Lip
21	104-5308	1	Spacer
22	104-5309	1	Ring-Retaining
25	103-2666	1	Cylinder Block Kit
29	94-1936	1	Spring-Block
30	94-1937	1	Washer-Thrust, Block
31	105-6185	1	Plate-Valve
32	94-1907	1	Swashplate-Variable
34	94-6922	1	Bearing-Thrust
37	104-2112	1	Trunnion ASM
38	94-1910	1	Guide-Slot
42	98-3252	1	Valve-Check (W/Poppet)
43	114-4133	1	Valve-Check, W/Poppet

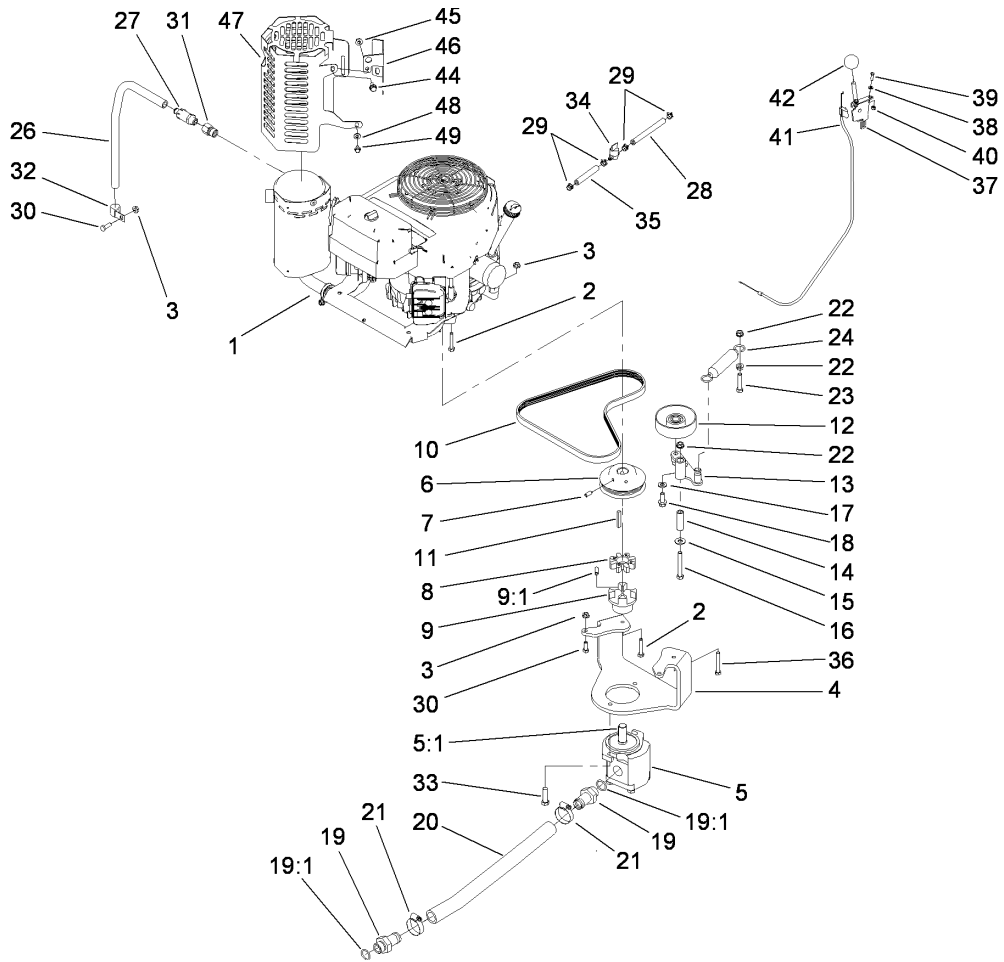
Ref	Part No.	Qty.	Description
44	106-8760	1	Charge Relief Valve Kit
49	106-8761	1	Trunnion Seal / Retainer Kit
56	106-8762	1	Plug-HSH
66	106-8763	1	Plug-HSH
98	114-0277	1	Return Kit
99	105-6184	1	Seal Overhaul Kit



Engine Assembly

Ref	Part No.	Qty.	Description
1	114-3071	1	Engine ASM
2	322-9	3	Screw-HH
3	32128-20	7	Nut-HF
4	114-2912-01	1	Mount-Pump
5	114-3072	1	Gear Pump ASM
5:1	104-5839	1	Key-Square
5:2	115-1265	1	Seal Kit
6	114-8559-03	1	Pulley-Engine
7	3246-6	2	Screw-Set, HSH
8	93-8827	1	Spider-Coupler
9	114-2933	1	Coupler-Flex
9:1	100-7594	1	Screw-Set
10	114-2991	1	Belt-V
11	608006	1	Key-Square
12	95-8802	1	Pulley-Idler
13	114-2915	1	Idler Arm ASM
14	114-2916	1	Bushing-Idler
15	3256-4	1	Washer-Flat
16	323-13	1	Screw-HH
17	3256-24	1	Washer-Flat
18	3234-11	1	Screw-HHF
19	99-3017	2	Fitting
19:1	237-81	1	O-Ring
20	114-2917	1	Hose-Suction

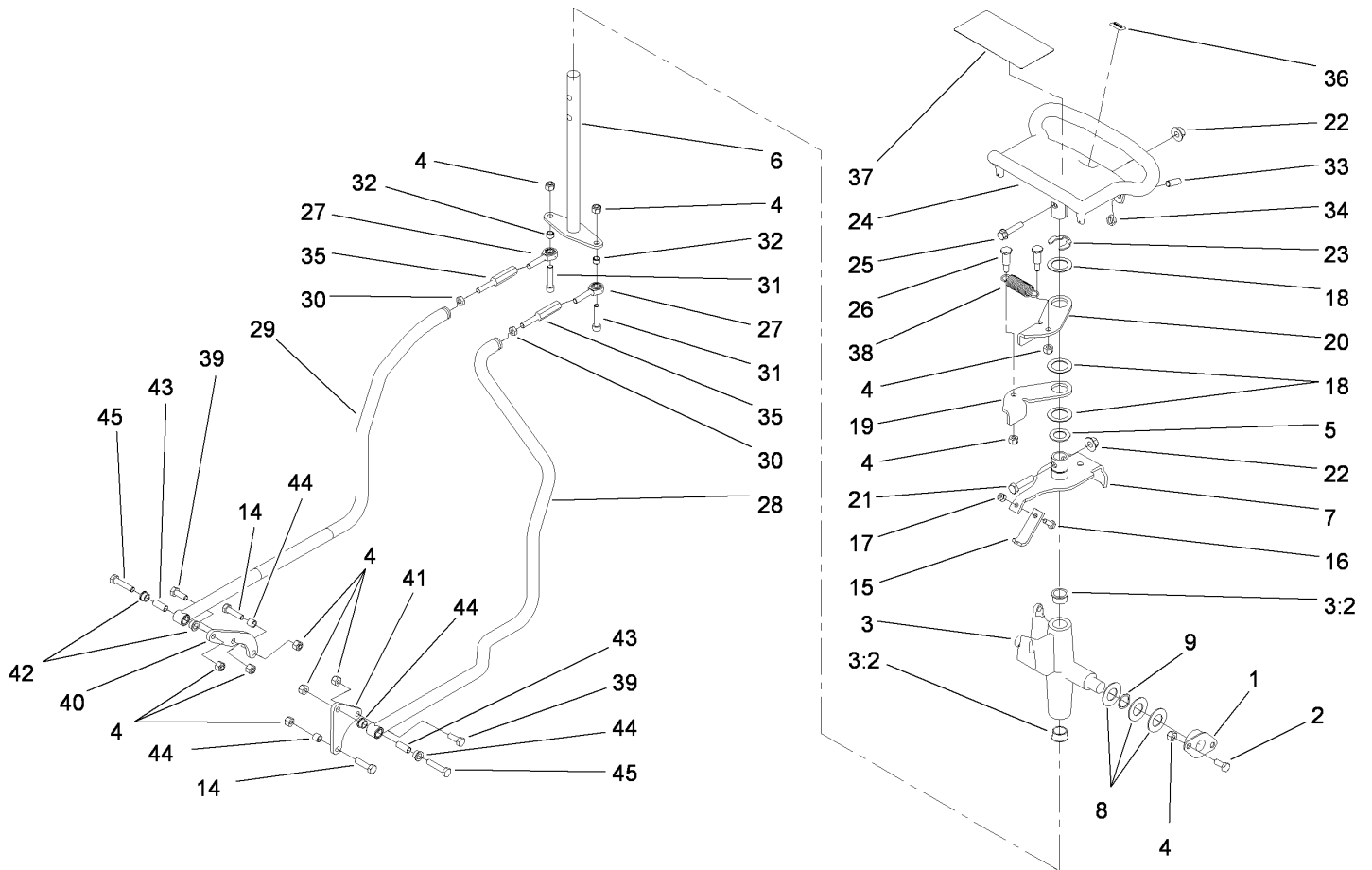
Ref	Part No.	Qty.	Description
21	2412-111	2	Clamp
22	3290-357	3	Nut-HHF, Whiz
23	323-9	1	Screw-HH
24	66-4270	1	Spring-Extension
26	98-4667	1	Hose-Drain, Oil
27	92-6877	1	Valve-Drain, Oil
28	109-0306	1	Hose-Fuel
29	2412-98	4	Clamp
30	322-4	3	Screw-HH
31	103-1966	1	Adapter
32	94-9580	1	Clamp-J
33	324-6	2	Screw-HH
34	1-603770	1	Valve-Fuel
35	109-0295	1	Hose-Fuel
36	322-11	1	Screw-HH
37	108-9730	2	Control Lever ASM
38	3256-21	4	Washer-Flat
39	3290-134	4	Screw
40	3296-2	4	Nut-Lock
41	115-1211	2	Cable-Control
42	233-42	2	Knob
44	3234-14	3	Screw-HHF
45	32128-20	3	Nut-HF
46	115-4017-03	1	Bracket-Guard, Muffler



Engine Assembly (continued)

Ref	Part No.	Qty.	Description
47	114-8748-03	1	Muffler Shield ASM
48	3256-22	1	Washer-Flat
49	33103-012	1	Screw-HHF

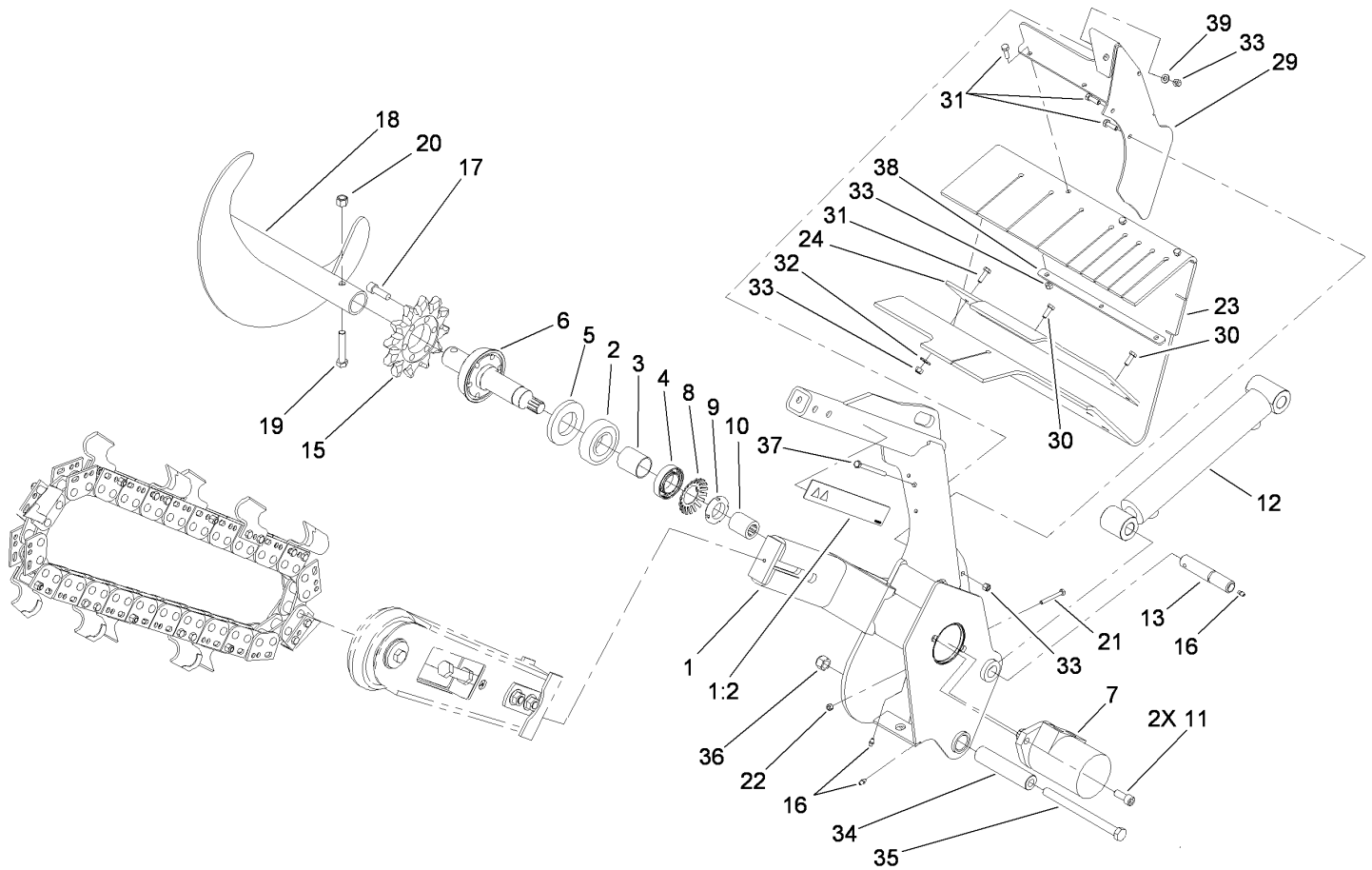
--	--	--	--



Control Assembly

Ref	Part No.	Qty.	Description
1	68-2970	2	Bushing
2	322-3	4	Screw-HH
3	106-5737	1	Control Support ASM
3:2	256-252	2	Bearing-Flange
4	3296-29	14	Nut-Lock, NI
5	257-8	1	Washer-Thrust
6	106-5745	1	Drive Rod ASM
7	112-2783	1	Pivot Lever ASM
8	3256-39	6	Washer-Flat
9	95-3703	2	Washer-Spring, Wave
14	322-6	2	Screw-HH
15	115-1204	1	Plate-Neutral
16	321-4	1	Screw-HH
17	3296-42	1	Nut-Lock, NI
18	108-9743	3	Washer-Plain
19	98-8407	1	Lever-Return, RH
20	98-8408	1	Lever-Return, LH
21	323-8	1	Screw-HH
22	32128-43	2	Nut-Flange
23	32151-91	1	Ring-Retaining
24	106-7614-03	1	Handle-Control
25	3234-18	1	Screw-HHF
26	63-2650	2	Screw-Shoulder
27	2411-53	2	Bearing-Rod End, LH

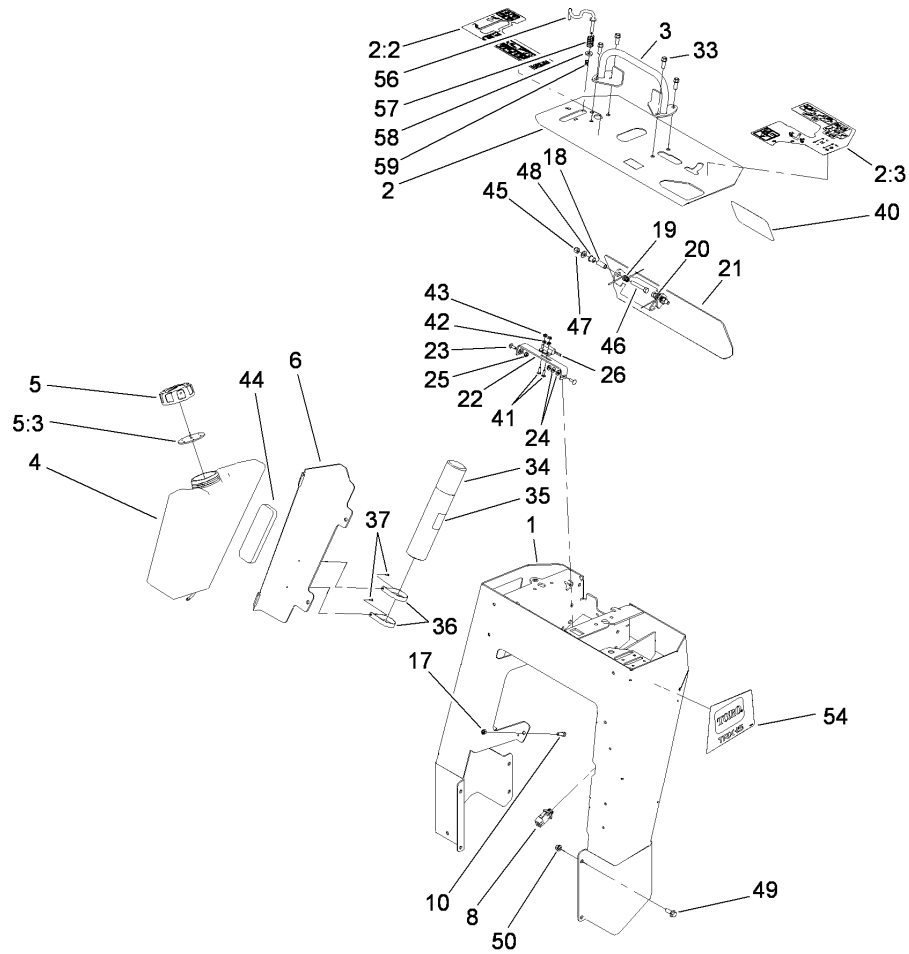
Ref	Part No.	Qty.	Description
28	114-2901	1	LH Control Rod ASM
29	114-2902	1	RH Control Rod ASM
30	3220-2	2	Nut-Jam
31	3274-83	4	Screw-HSH
32	92-3133	2	Spacer-Lever, Traction
33	3247-6	2	Screw-Set
34	3218-3	2	Nut-Jam
35	114-3095	2	Link-Control
36	98-1459	1	Decal
37	115-4020	1	Decal-Traction
38	108-4724	1	Spring-Extension
39	322-4	2	Screw-HH
40	115-1290	1	Plate-Adapter, Control, RH
41	115-1291	1	Plate-Adapter, Control, LH
42	1-603735	4	Bushing-Flanged
43	115-1293	2	Spacer
44	1-633545	2	Spacer
45	322-7	2	Screw-HH



Trencher Assembly

Ref	Part No.	Qty.	Description
1	114-8631	1	Trencher Head ASM
1:2	99-9952	2	Decal-Danger
2	106-8871	1	Bearing-Ball
3	112-4979	1	Spacer
4	111199	1	Bearing-Ball
5	114-2955	1	Seal-Grease
6	112-4993	1	Trencher Shaft ASM
7	114-3053	1	Motor-HYD
①7:1	106-1989	1	Seal Kit
8	114-2956	1	Lockwasher-Bearing
9	88-1450	1	Locknut-Bearing
10	114-2954	1	Spline-Collar
11	3274-89	2	Screw-HSH
12	112-2602	1	HYD Cylinder ASM
①12:1	107-1183	1	Seal Kit
13	114-2937	1	Pin-Pivot
15	104-1964	1	Sprocket-Trencher
16	302-5	3	Fitting-Grease
17	3274-4	6	Screw-HSH
18	112-4996-03	1	Trencher Auger ASM
19	325-11	1	Screw-HH
20	3296-23	1	Nut-Lock, NI
21	321-18	1	Screw-HH
22	3296-42	1	Nut-Lock, NI

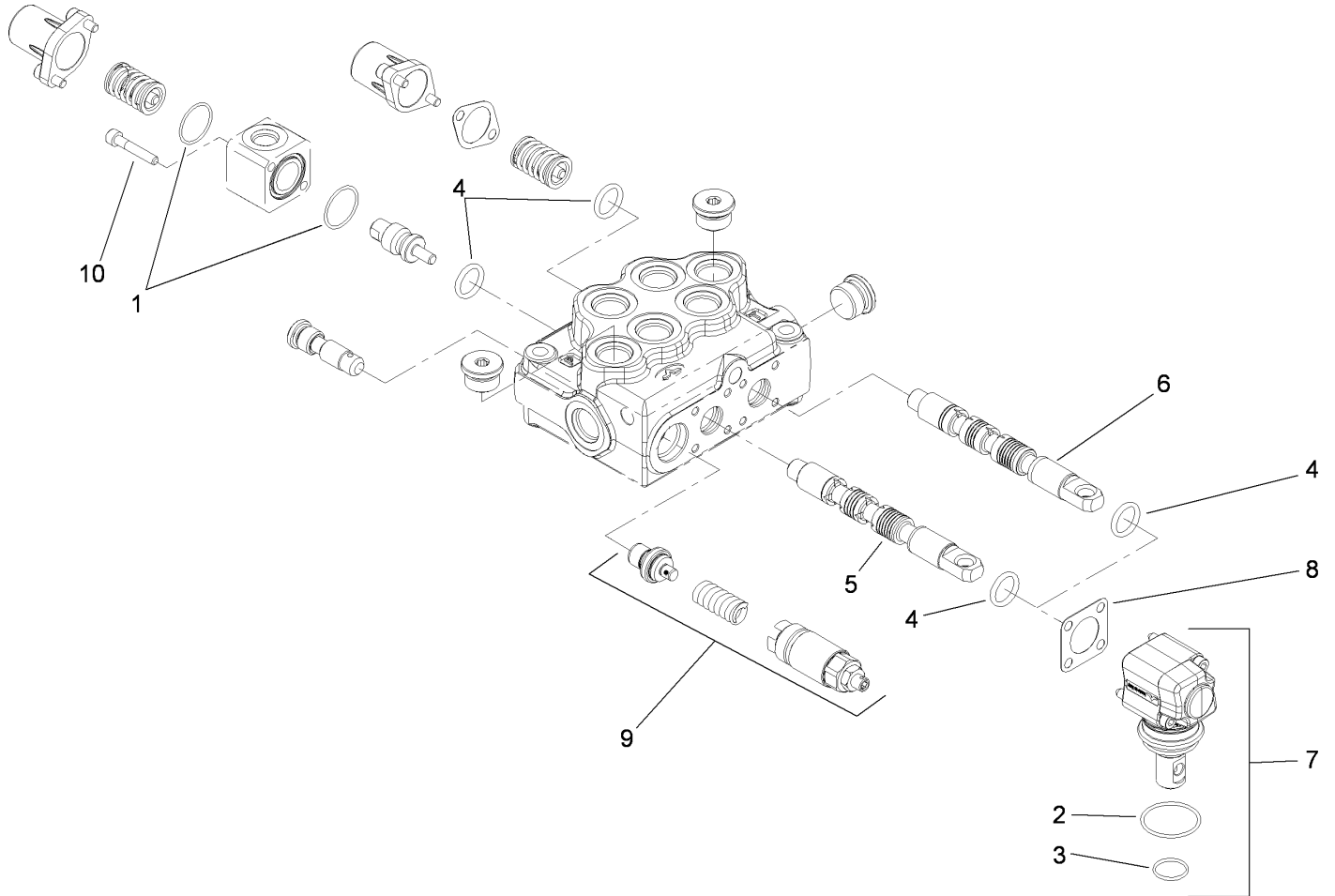
Ref	Part No.	Qty.	Description
23	114-8569	1	Shield-Dirt
24	115-1220-03	1	Bar-Clamp
29	115-1279-03	1	Bracket-Shield
30	322-4	2	Screw-HH
31	322-5	8	Screw-HH
32	3256-3	3	Washer-Flat
33	3296-29	9	Nut-Lock, NI
34	114-8573	1	Spacer-Pivot
35	1-800861	1	Screw-Cap, HH
36	3296-41	1	Nut-Lock NI
37	322-23	1	Screw-HH
38	115-4001-03	1	Plate-Strap, Shield
39	3256-23	1	Washer-Flat



Control Tower Assembly

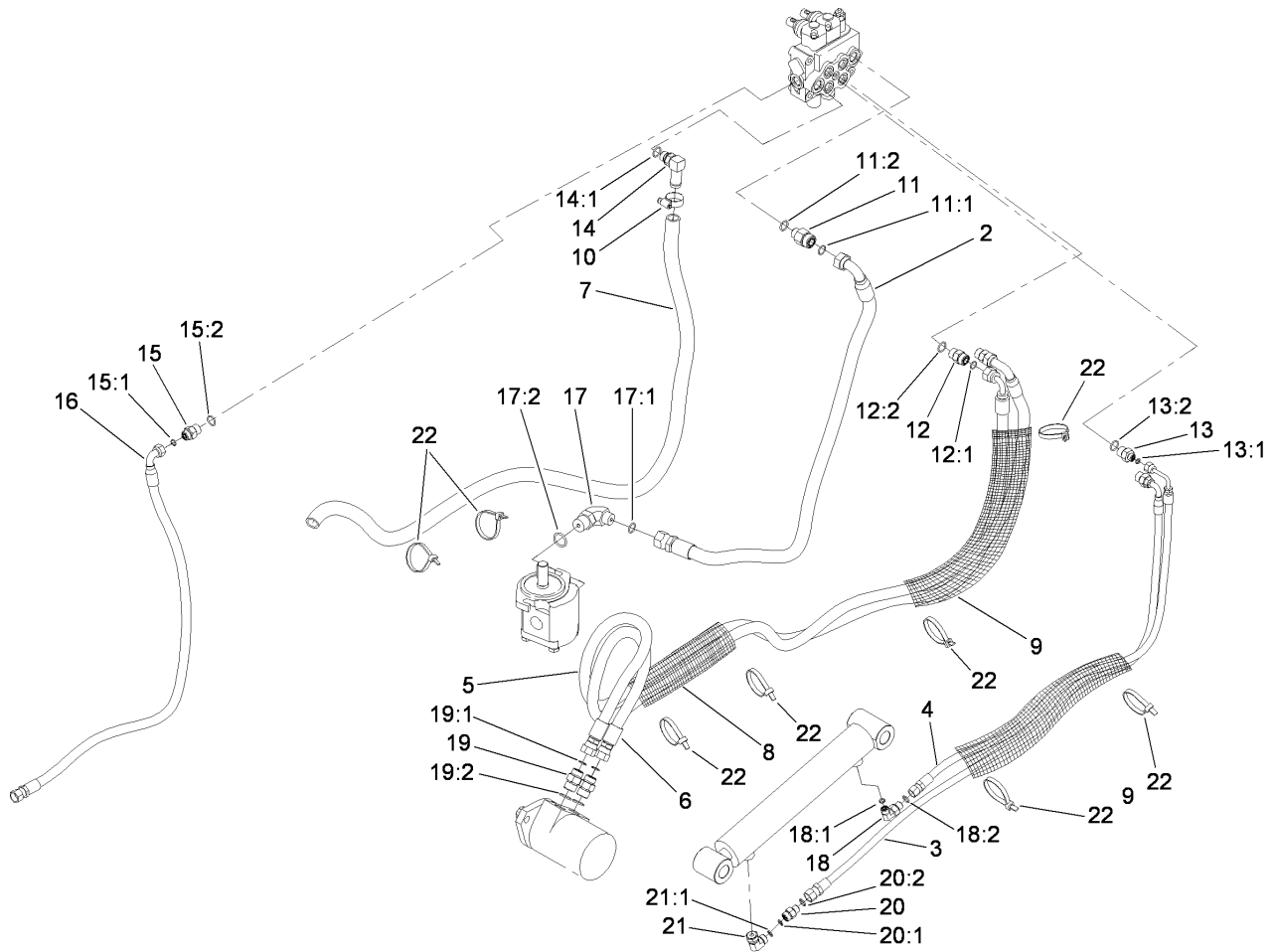
Ref	Part No.	Qty.	Description
1	112-4890-01	1	Tower ASM
2	114-8633	1	Panel-Control
2:2	115-1231	1	Decal-Console, RH
2:3	115-1230	1	Decal-Console, LH
3	106-7715	1	Reference Bar ASM
4	112-4972	1	Tank-Fuel
5	104-7418	1	Cap-Fuel, Gas
5:3	104-7420	1	Gasket-Vented
6	114-3065-01	1	Bracket-Cover, Tank
8	100-1268	1	Switch-Plunger
10	322-5	2	Screw-HH
17	3296-29	2	Nut-Lock, NI
18	114-1337	2	Spacer-Spring
19	98-8425	1	Spring-Torsion, LH
20	98-8424	1	Spring-Torsion, RH
21	114-3012-03	1	Reverse Plate ASM
22	100-1263	1	Plate-Switch
23	3229-1	2	Screw-CARR
24	3256-22	4	Washer-Flat
25	32149-2	2	Nut-Keps
26	100-1270	1	Switch-Proximity
33	95-1726	4	Screw-Taptite
34	104-7048	1	Cap-Housing
35	104-7050	1	Housing-Manual

Ref	Part No.	Qty.	Description
36	2412-120	2	R-Clamp
37	3269-17	2	Rivet-Pop
40	105-1217	1	Decal
41	3229-20	2	Screw-CARR
42	3256-51	2	Washer-Flat
43	32149-7	2	Nut-Keps
44	107-7507	1	Pad-Foam
45	3296-39	2	Nut-Lock, NI
46	323-11	2	Screw-HH
47	3256-24	2	Washer-Flat
48	256-257	2	Bushing-Nyliner
49	3234-11	8	Screw-HHF
50	32128-40	8	Nut-Flange
54	115-4006	1	Decal
56	114-8727	1	Rod-Interlock
57	85-6750	1	Spring-Control
58	88-7200	1	Washer-Flat
59	3290-307	1	Pin-Hair



Hydraulic Valve Assembly No. 115-1201

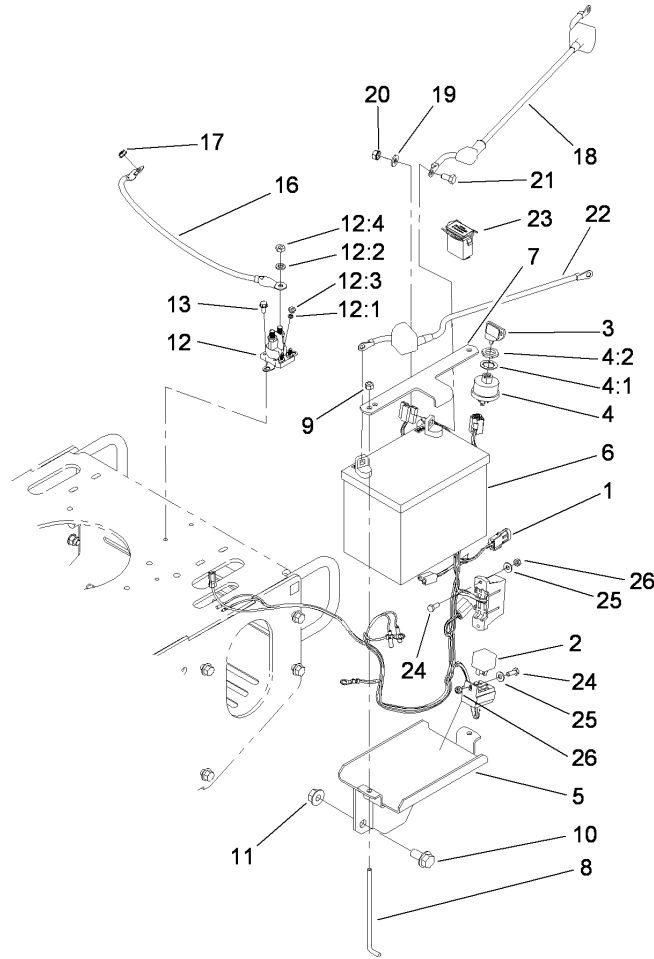
Ref	Part No.	Qty.	Description
1	114-8621	2	O-Ring Seal
2	114-8622	2	O-Ring Seal
3	114-8623	2	O-Ring Seal
4	106-7719	4	Seal-Valve
5	114-8624	1	Valve-Spool
6	114-8625	1	Valve-Spool
7	100-7229	2	Lever Kit
8	99-3075	2	Gasket
9	100-8805	1	Valve-Relief
10	100-8803	2	Screw



Hydraulic Routing Assembly

Ref	Part No.	Qty.	Description
2	114-3043	1	Hose ASM
3	114-3044	1	Hose ASM
4	114-3045	1	Hose ASM
5	114-3046	1	Hose ASM
6	114-3085	1	HYD Hose ASM
7	115-1206	1	Hose-Cooler
8	99-5648	1	Sleeve-Protective
9	100-6128	2	Sleeve-Protective
10	2412-129	2	Clamp-Hose
11	340-155	1	Fitting-HYD, Straight
11:1	237-79	1	O-Ring
11:2	237-151	1	O-Ring
12	340-4	2	Fitting-HYD, Straight
12:1	237-30	1	O-Ring
12:2	237-79	1	O-Ring
13	340-133	2	Adapter
13:1	237-79	1	O-Ring
13:2	237-21	1	O-Ring
14	353-954	1	Adapter
14:1	237-79	1	O-Ring
15	340-3	1	Adapter
15:1	237-22	1	O-Ring
15:2	237-79	1	O-Ring
16	115-1296	1	HYD Hose ASM

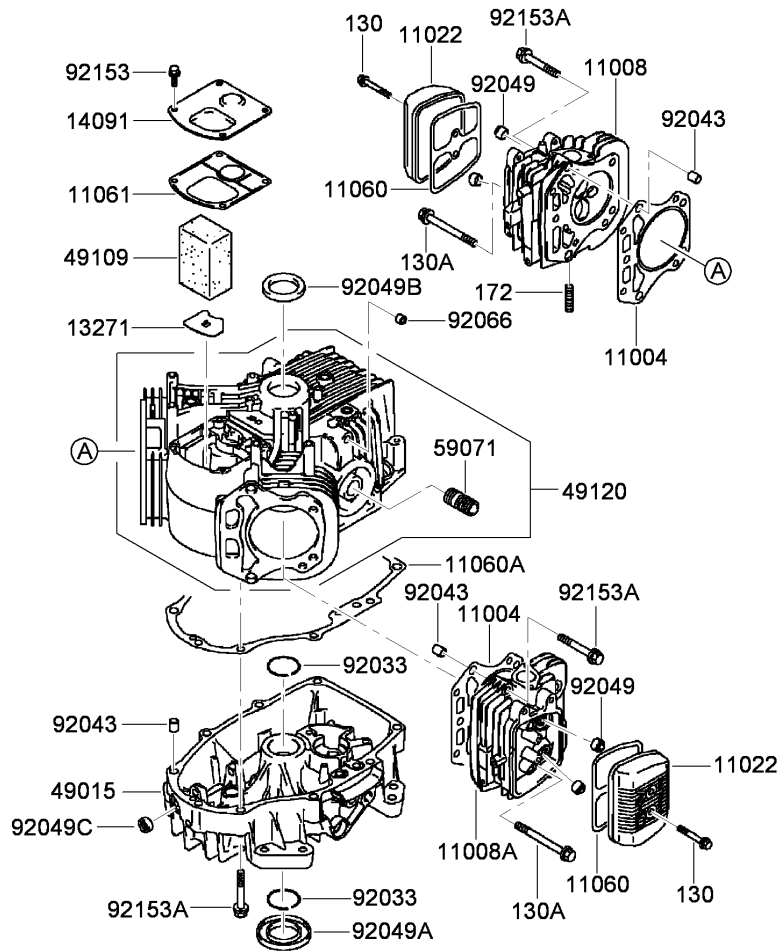
Ref	Part No.	Qty.	Description
17	340-139	1	Fitting-HYD, 90 DEG
17:1	237-81	1	O-Ring
17:2	237-65	1	O-Ring
18	340-82	1	Adapter
18:1	237-42	1	O-Ring
18:2	237-21	1	O-Ring
19	340-6	2	Fitting-HYD, Straight
19:1	237-30	1	O-Ring
19:2	237-80	1	O-Ring
20	114-7783	1	Fitting-Straight
20:1	237-22	1	O-Ring
20:2	237-42	1	O-Ring
21	340-159	1	Fitting-HYD, 90 DEG
21:1	237-22	2	O-Ring
22	3334-945	8	Tie-Cable



Electrical Assembly

Ref	Part No.	Qty.	Description
1	114-3084	1	Harness-Wire
2	98-7249	1	Relay
3	63-8360	1	Key-Ignition
4	88-9830	1	Key Switch ASM
4:1	3254-5	1	Washer-Tooth
4:2	218-461	1	Nut-HH
5	105-3150-01	1	Battery Tray ASM
6	104-8162	1	Battery
7	104-8568-03	1	Plate-Hold Down, Battery
8	104-8567	2	Holdown-Battery
9	3296-42	2	Nut-Lock, NI
10	3234-6	2	Screw-HHF
11	32128-49	2	Nut-HHF
12	1-513075	1	Switch-Solenoid
12:1	3253-17	2	Washer-Lock
12:2	3253-4	2	Washer-Lock
12:3	3219-14	2	Nut-Hex
12:4	3220-2	2	Nut-Jam
13	32144-4	2	Screw-HWH
16	100-3540	1	Cable-Battery, Positive
17	32149-2	1	Nut-Keps
18	112-9708	1	Cable-Battery, Red
19	3256-2	2	Washer-Flat
20	32149-1	2	Nut-Keps

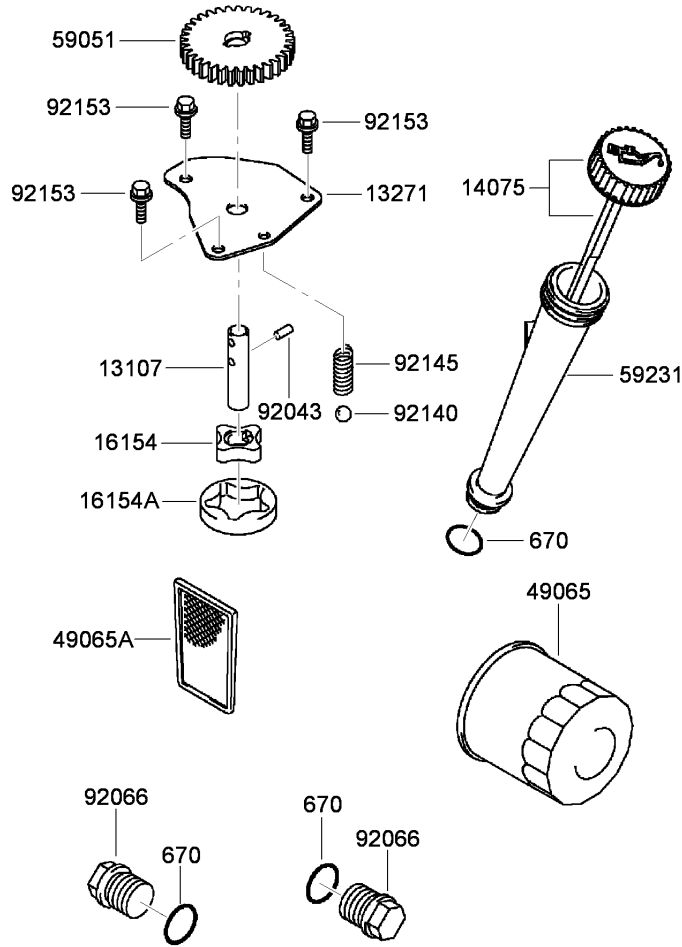
Ref	Part No.	Qty.	Description
21	322-2	2	Screw-HH
22	112-9709	1	Cable-Battery, Black
23	1-513374	1	Meter-Hour
24	33113-016	2	Screw-HH
25	3256-22	2	Washer-Flat
26	33023-00	2	Nut-Lock



Cylinder and Crankcase Assembly

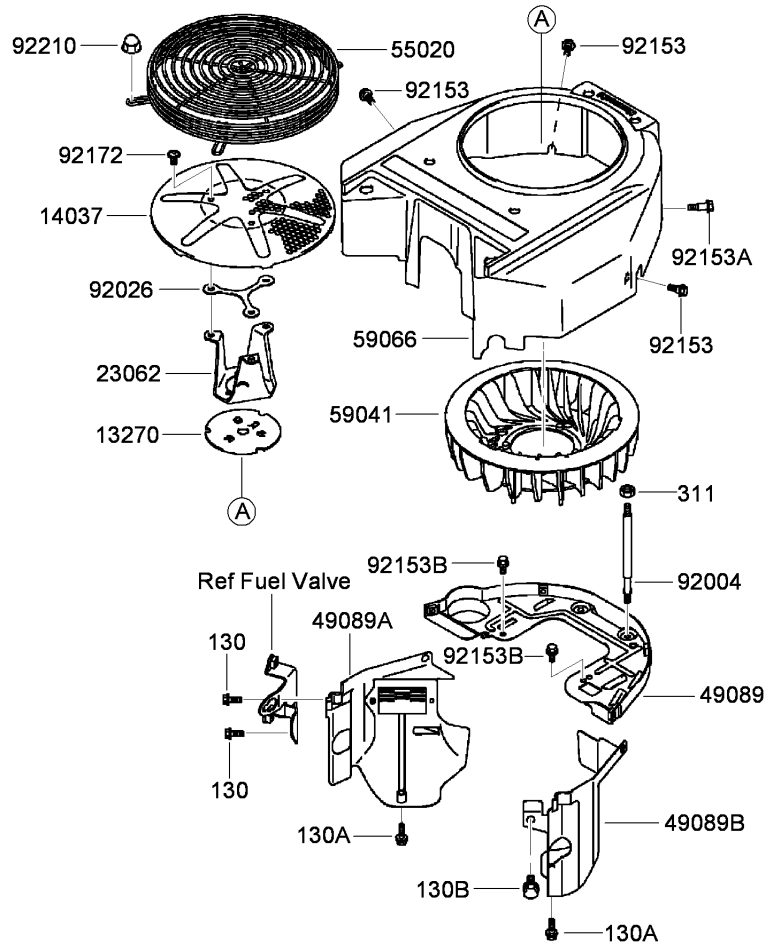
Ref	Part No.	Qty.	Description
130	100-2805	5	Bolt-Flanged (6X40)
130A	114-8657	2	Bolt-Flanged (8X75)
172	114-8658	4	Bolt-Stud (8X18)
11004	115-6550	2	Gasket-Head
11008	115-6551	1	Head-Cylinder, No.1
11008A	115-6552	1	Head-Cylinder, No.2
11022	114-8643	2	Case-Rocker
11060	114-8644	2	Gasket-Case, Rocker
11060A	115-6553	1	Gasket-Cover, Crankcase
11061	115-6554	1	Gasket-Breather
13271	115-6555	1	Plate
14091	115-6556	1	Cover
49015	115-6557	1	Cover-Crankcase
49109	115-6558	1	Element-Breather
49120	115-6559	1	Crankcase
59071	95-9715	1	Joint
92033	115-6560	2	Ring-Snap
92043	108-2510	6	Pin
92049	114-8650	4	Seal-Oil, Rv C2 (6X11X10.2)
92049A	114-8651	1	Seal-Oil, Sd (35X62X8 L HSH)
92049B	114-8652	1	Seal-Oil, S D (35X48X8 R HSH)
92049C	114-8653	1	Seal-Oil, S O (8X14X5 HSH)
92066	115-6405	1	Plug
92153	114-8655	4	Bolt (6X12)

Ref	Part No.	Qty.	Description
92153A	114-8656	17	Bolt (8X50)



Lubrication Equipment Assembly

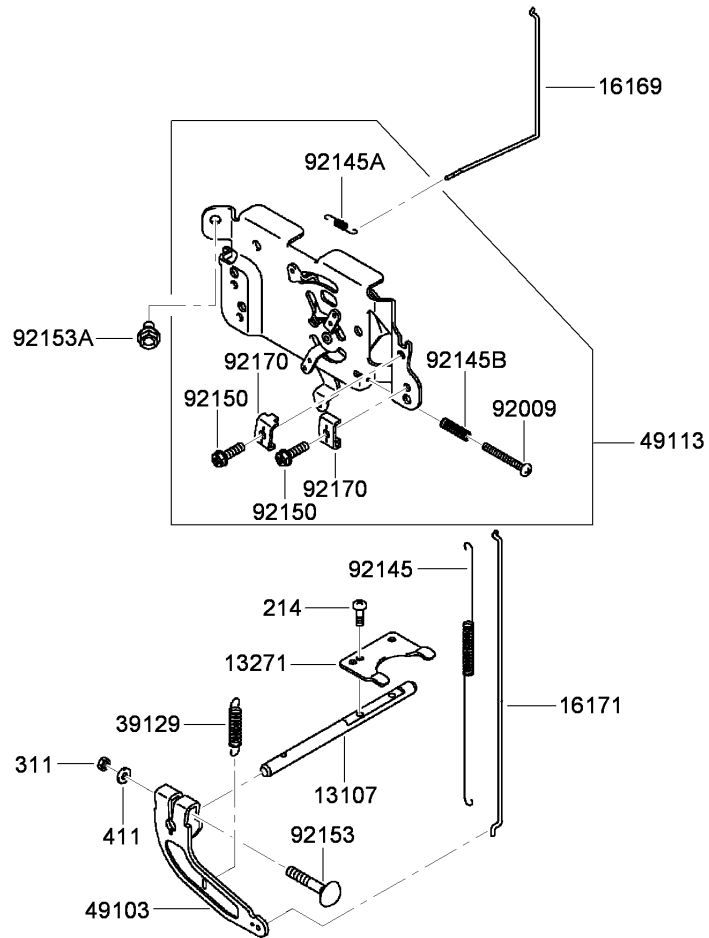
Ref	Part No.	Qty.	Description
670	100-2690	3	O-Ring (16Mm)
13107	114-8679	1	Shaft
13271	114-8680	1	Plate
14075	114-8681	1	Cap-ASM
16154	95-9760	1	Rotor-Pump (In)
16154A	114-8682	1	Rotor-Pump (Out)
49065	KW10761	1	Filter-Oil
49065A	114-8683	1	Filter-Oil
59051	114-8684	1	Gear-Spur
59231	115-6567	1	Filler
92043	114-8686	2	Pin
92066	112-9991	2	Plug-Drain, Oil
92140	114-8687	1	Ball
92145	114-8688	1	Spring
92153	114-8655	3	Bolt (6X12)



Cooling Equipment Assembly

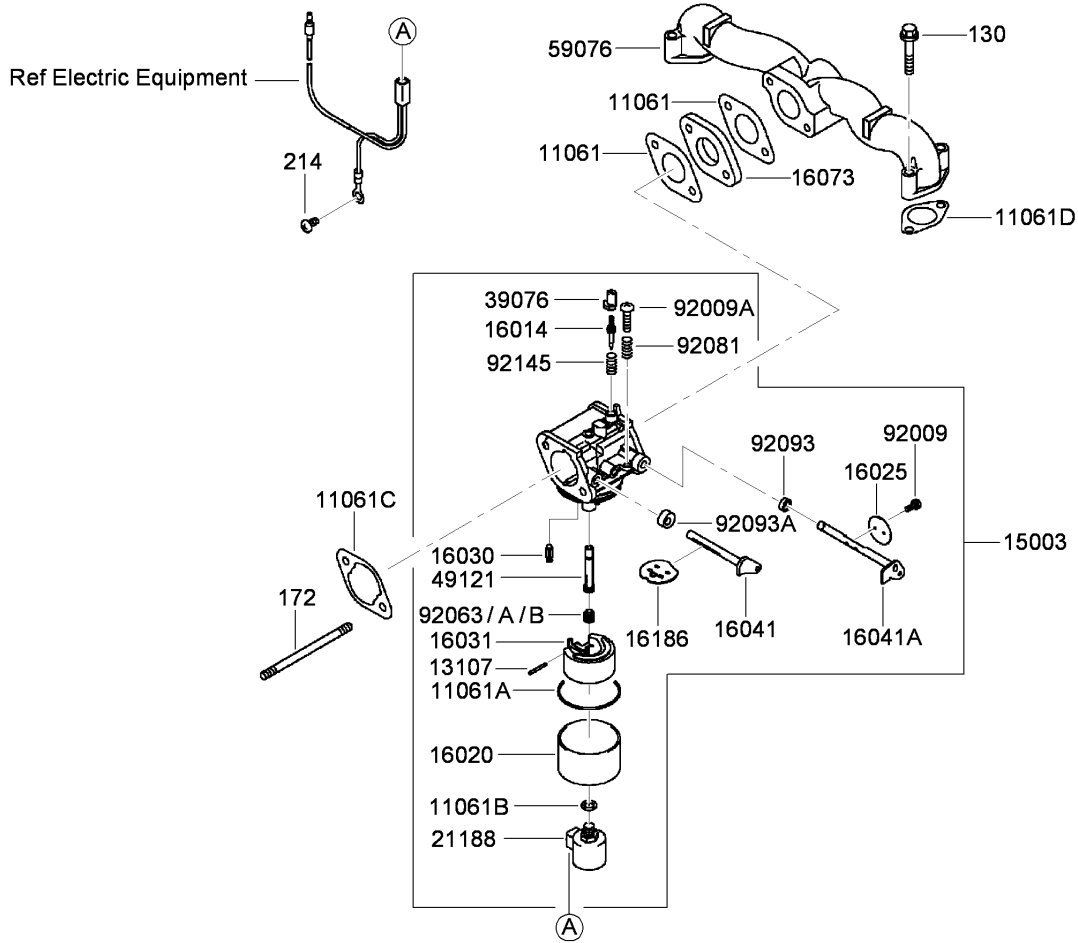
Ref	Part No.	Qty.	Description
130	95-9837	2	Bolt-Flanged (6X16)
130A	93-8548	2	Bolt-Flanged (6X25)
130B	93-8679	1	Bolt-Flanged
311	114-8698	2	Nut-Hex (6Mm)
13270	114-8689	1	Plate
14037	115-6568	1	Screen
23062	115-6569	1	Bracket
49089	115-6570	1	Shroud-Engine
49089A	115-6571	1	Shroud-Engine
49089B	115-6572	1	Shroud-Engine
55020	115-6573	1	Guard
59041	114-8694	1	Fan
59066	115-6574	1	Housing-Fan
92004	115-6575	2	Stud
92026	115-6576	1	Spacer
92153	108-2544	3	Bolt
92153A	114-8697	1	Bolt
92153B	114-8655	2	Bolt (6X12)
92172	115-6577	3	Screw-Socket (6X12)
92210	100-2603	1	Nut

--	--	--	--



Control Equipment Assembly

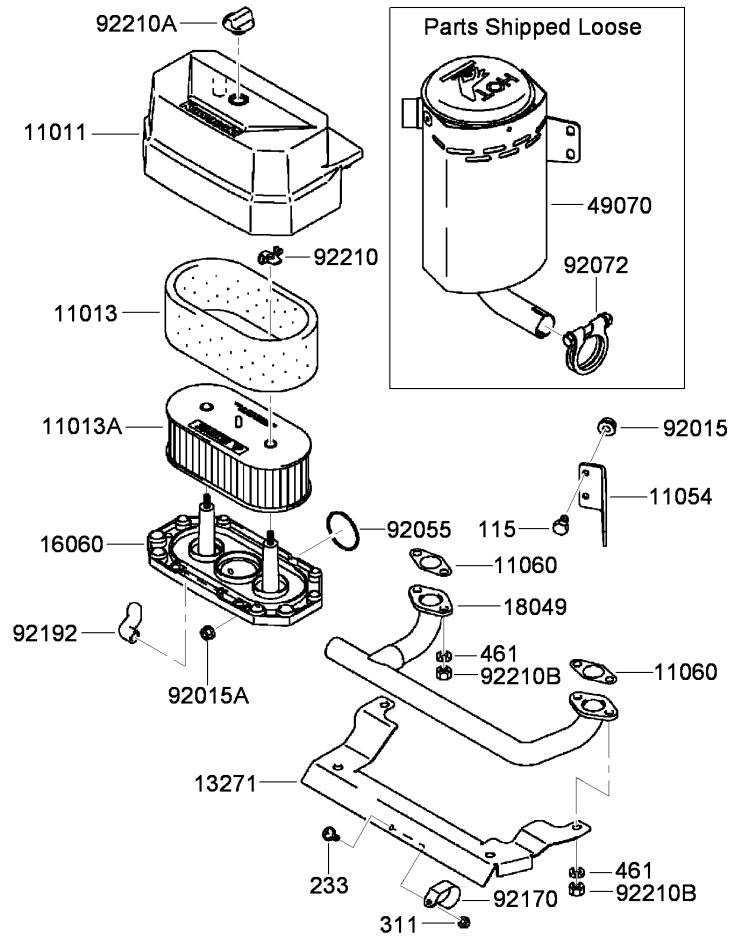
Ref	Part No.	Qty.	Description
214	115-6422	2	Screw-Pan (4X8)
311	114-8698	1	Nut-Hex (6Mm)
411	115-6423	1	Washer-Plain (6Mm)
13107	115-6409	1	Shaft
13271	115-6410	1	Plate
16169	115-6586	1	Link-Choke
16171	115-6587	1	Link
39129	115-6413	1	Spring-Governor
49103	115-6414	1	Arm-Governor
49113	115-6588	1	Panel-Control
92009	115-6416	1	Screw (4X35)
92145	115-6417	1	Spring
92145A	115-6418	1	Spring
92145B	115-6620	1	Spring
92150	95-9853	2	Bolt (5X18)
92153	115-6420	1	Bolt (6X35)
92153A	114-8655	2	Bolt (6X12)
92170	115-6421	2	Clamp



Carburetor Assembly

Ref	Part No.	Qty.	Description
130	115-6591	4	Bolt-Flanged (6X35)
172	115-6596	2	Bolt-Stud (6X90)
214	115-6598	1	Screw-Pan+- (5X10)
11061	115-6424	2	Gasket-Insulator
11061A	115-6425	1	Gasket-Chamber
11061B	108-2580	1	Gasket-Screw
11061C	115-6426	1	Gasket-Cleaner, Air
11061D	115-6590	2	Gasket
13107	115-6427	1	Shaft
15003	115-6592	1	Carburetor ASM
16014	115-6593	1	Screw-Air, Pilot
16020	115-6430	1	Chamber-Float
16025	115-6431	1	Valve-Throttle
16030	115-6432	1	Valve-Float
16031	115-6433	1	Float
16041	115-6434	1	Shaft-Choke, Carburetor
16041A	115-6435	1	Shaft-Throttle, Carburetor
16073	115-6594	1	Insulator
16186	115-6595	1	Choke Valve ASM
21188	115-6597	1	Solenoid
39076	108-2593	1	Limiter
49121	115-6599	1	Nozzle-Main
59076	115-6600	1	Manifold-Intake
92009	108-2595	2	Screw

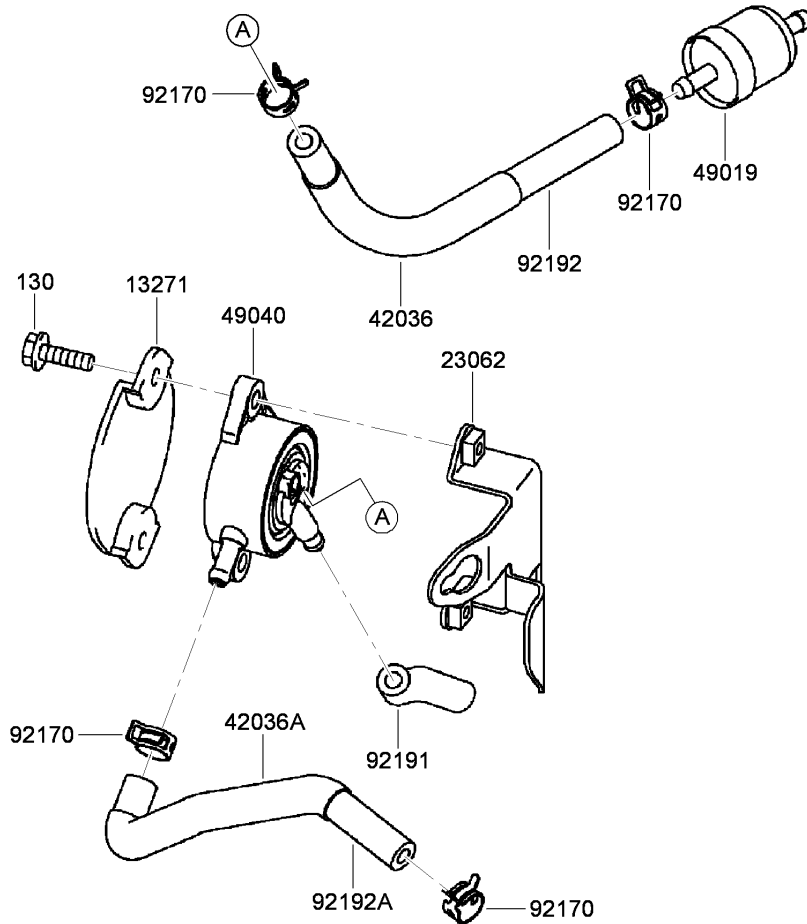
Ref	Part No.	Qty.	Description
92009A	108-2596	1	Screw
92063	115-6601	1	Jet-Main (No. 105)
92063A	115-6602	1	Jet-Main (No.100)
92063B	115-6603	1	Jet-Main (No. 110)
92081	108-2598	1	Spring
92093	108-2599	1	Seal
92093A	115-6443	1	Seal
92145	108-2600	1	Spring



Air Filter and Muffler Assembly

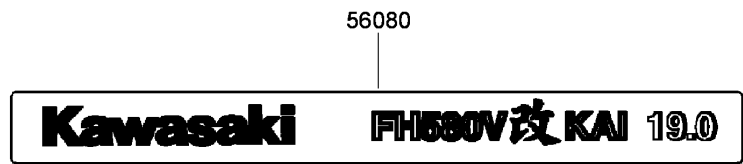
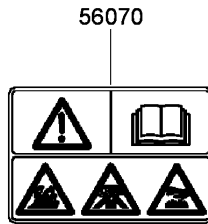
Ref	Part No.	Qty.	Description
115	115-6606	2	Bolt-Upset, Small (8X14)
233	115-6494	1	Screw-Pan (4X16)
311	115-6495	1	Nut-Hex (4Mm)
461	115-6496	4	Washer-Spring (8Mm)
11011	115-6604	1	Case-Filter, Air
11013	115-6473	1	Element-Filter, Air
11013A	115-6474	1	Element-Filter, Air
11054	115-6605	1	Bracket
11060	115-6477	2	Gasket-Muffler
13271	115-6607	1	Plate
16060	115-6479	1	Pipe-Intake
18049	115-6608	1	Pipe-Exhaust
49070	115-6609	1	Muffler,
92015	95-9793	2	Nut
92015A	93-8631	2	Nut
92055	115-6485	1	O-Ring
92072	115-6486	1	Band,
92170	115-6488	1	Clamp
92192	115-6489	1	Tube
92210	115-6490	2	Nut
92210A	108-2612	1	Nut
92210B	115-6611	4	Nut-Hex

--	--	--	--



Fuel Tank and Valve Assembly

Ref	Part No.	Qty.	Description
130	95-9893	2	Bolt-Flanged (6X20)
13271	115-6498	1	Plate
23062	115-6445	1	Bracket
42036	115-6499	1	Sleeve
42036A	115-6446	1	Sleeve
49019	115-6447	1	Filter-Fuel
49040	115-6448	1	Pump-Fuel
92170	100-2820	4	Clamp
92191	115-6450	1	Tube
92192	115-6451	1	Tube (6.35X12.7X160)
92192A	115-6452	1	Tube (6.35X12.7X180)



Label Set

Ref	Part No.	Qty.	Description
56070	115-6469	1	Label-Warning
56080	115-6619	1	Label-Brand

Attachments and Accessories

For 22971 - TRX-19 Trencher

Product Name	Model/Part
6-Inch x 3-Foot Rock Chain Kit	22463
Crumber Kit	22464

