



## Titan Z4800 Zero-Turn-Radius Riding Mower

Model No. 74816 - 280000001 and up.

### Parts Catalog

---

#### Ordering Replacement Parts

To order replacement parts, please supply the part number, the quantity, and the description of each part desired.

#### Understanding Reference Numbers

Each identified part in an illustration has a reference number. The reference number for a part also appears in the parts list, along with other information about the part.

This catalog uses two special reference number formats, one to indicate parts in a service assembly and another to indicate the quantity of a given part in an illustration.

#### Service Assembly Reference Numbers

Parts in service assemblies have reference numbers in the form a:b. The a represents the reference number of the entire service assembly and the b represents a sequential number unique to each part within the service assembly.

For example, a wheel assembly might be identified by reference number 6, the tire by 6:1, the valve by 6:2, and the wheel by 6:3. When you order the assembly identified by reference number 6, you receive all parts identified by reference numbers 6:1, 6:2, and 6:3. However, you may also order any part individually. Reference numbers of this type appear in illustrations and in part lists.

#### Reference Numbers Indicating Quantity

In an illustration, if a reference number indicates more than one part, the reference number has the form nX y. The n represents the quantity of the part, the X is the multiplication symbol, and the y represents the reference number.

For example, in an illustration, the reference number 2X 37 means that two of the parts identified by reference number 37 are indicated.

# Contents

Description	Page	Description	Page
Seat Assembly	..... 3	Crankshaft Assembly Kohler SV820-0012	..... 22
Frame Assembly	..... 4	Crankcase Assembly Kohler SV820-0012	..... 23
Motion Control and Brake Assembly	..... 6	Head, Valve and Breather Assembly Kohler SV820-0012	..... 24
Fuel Tank Assembly	..... 7	Oil Pan and Lubrication Assembly Kohler SV820-0012	..... 26
Engine Assembly	..... 8	Ignition and Electrical Assembly Kohler SV820-0012	..... 27
Transmission Assembly	..... 9	Blower Housing Assembly Kohler SV820-0012	..... 28
LH Hydro Transmission Assembly No. 109-3372	..... 10	Starter Assembly Kohler SV820-0012	..... 29
RH Hydro Transmission Assembly No. 109-3371	..... 12	Fuel System Assembly Kohler SV820-0012	..... 30
48 Inch Deck Assembly	..... 14	Engine Control Assembly Kohler SV820-0012	..... 31
48 Inch Deck Assembly No. 109-6253	..... 15	Air Intake and Filtration Assembly Kohler SV820-0012	..... 32
48 Inch Deck and Discharge Assembly	..... 16	Decals and Overhaul Gaskets Kohler SV820-0012	..... 33
Anti -Scalp Roller Assembly No. 109-6388	..... 17	Attachments and Accessories List	..... 34
Cutter Housing Assembly No. 109-8744	..... 18		
Washout Port Assembly No. 109-6393	..... 19		
Rubber Deflector Assembly No. 114-1651	..... 20		
Electrical Assembly	..... 21		

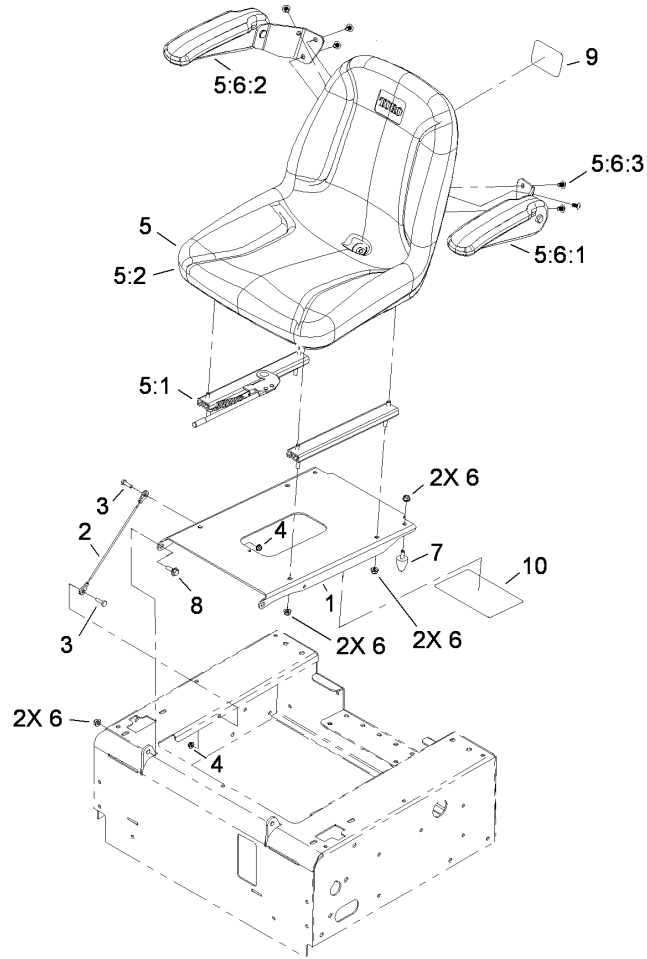
## Part Description Abbreviations

Part descriptions in this catalog may include the following abbreviations.

AR. .... as required	HYD. .... hydraulic
ASM. .... assembly	LH. .... left hand
BBC. .... blade brake clutch	NI. .... nylon insert
CARR. .... carriage	NPTF. .... national pipe thread fine
DEG. .... degrees	PFH. .... phillips flat head
EXT. .... external	PPH. .... phillips pan head
FH. .... flat head	PPHTF. .... phillips pan head thread forming
GA. .... gauge	PRH. .... phillips round head
HD. .... heavy-duty	PTH. .... phillips truss head
HF. .... hex flange	PTO. .... power-take-off
HH. .... hex head	RH. .... right hand
HHF. .... hex head flange	ROPS. .... roll-over protection system
HHFTF. .... hex head flange thread forming	SFH. .... slotted fillister head
HJ. .... hex jam	SHH. .... slotted hex head
HLH. .... hex lag head	SHWH. .... slotted hex washer head
HOC. .... height-of-cut	SPH. .... slotted pan head
HSBH. .... hex socket button head	SQH. .... square head
HSFH. .... hex socket flat head	SRH. .... slotted round head
HSH. .... hex socket head	STD. .... standard
HWH. .... hex washer head	TAP. .... self tapping
HWHTF. .... hex washer head thread forming	TTH. .... torx truss head

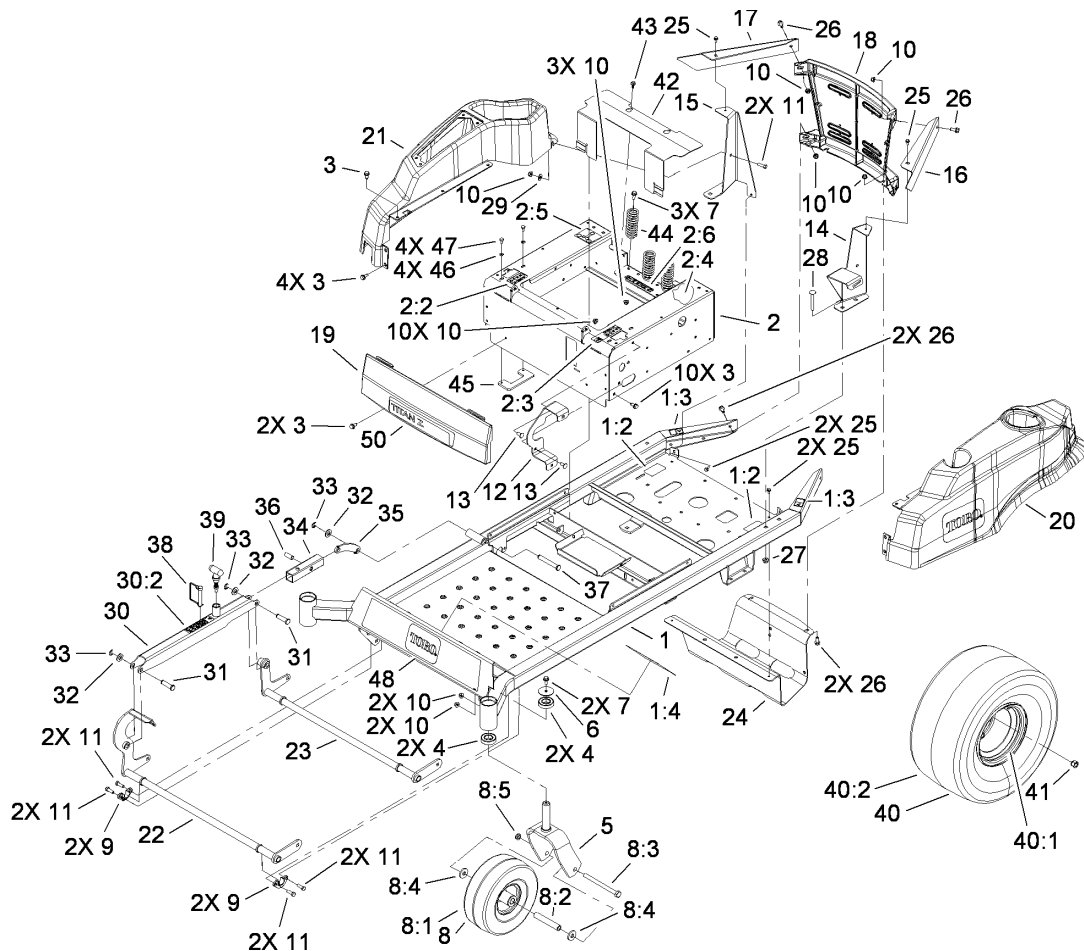
## Footnotes

- ❶ Not illustrated
- ❷ Not serviced separately
- ❸ Obtain from your local Kohler dealer



## Seat Assembly

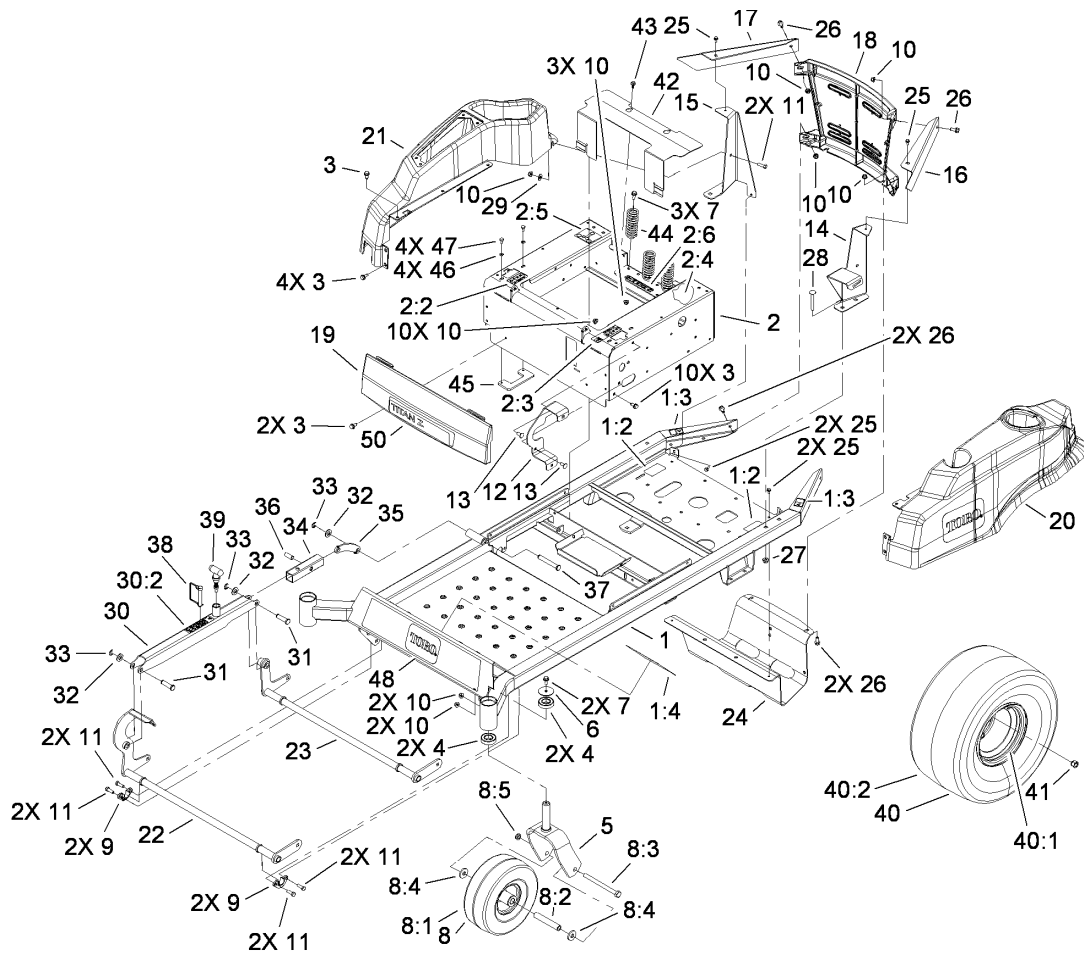
Ref	Part No.	Qty.	Description				
1	109-6916	1	Seat Plate ASM				
2	109-2628	1	Cable-Stop, Seat				
3	321-5	2	Screw-HH				
4	104-7201	2	Nut-HF				
5	109-6184	1	Seat ASM				
5:1	107-1880	1	Seat Track Kit				
5:2	109-6381	1	Seat				
5:6		1	Armrest Kit				
5:6:1	110-6569	1	LH Armrest Kit				
5:6:2	110-6570	1	RH Armrest Kit				
5:6:3	108-6179	6	Screw-HSBH				
6	104-8300	8	Nut-Flange, NI				
7	103-9376	2	Bumper-Seat				
8	27-0410	2	Screw-Shoulder				
9	99-2385	1	Decal				
10	109-6016	1	Decal-Service Aid				



### Frame Assembly

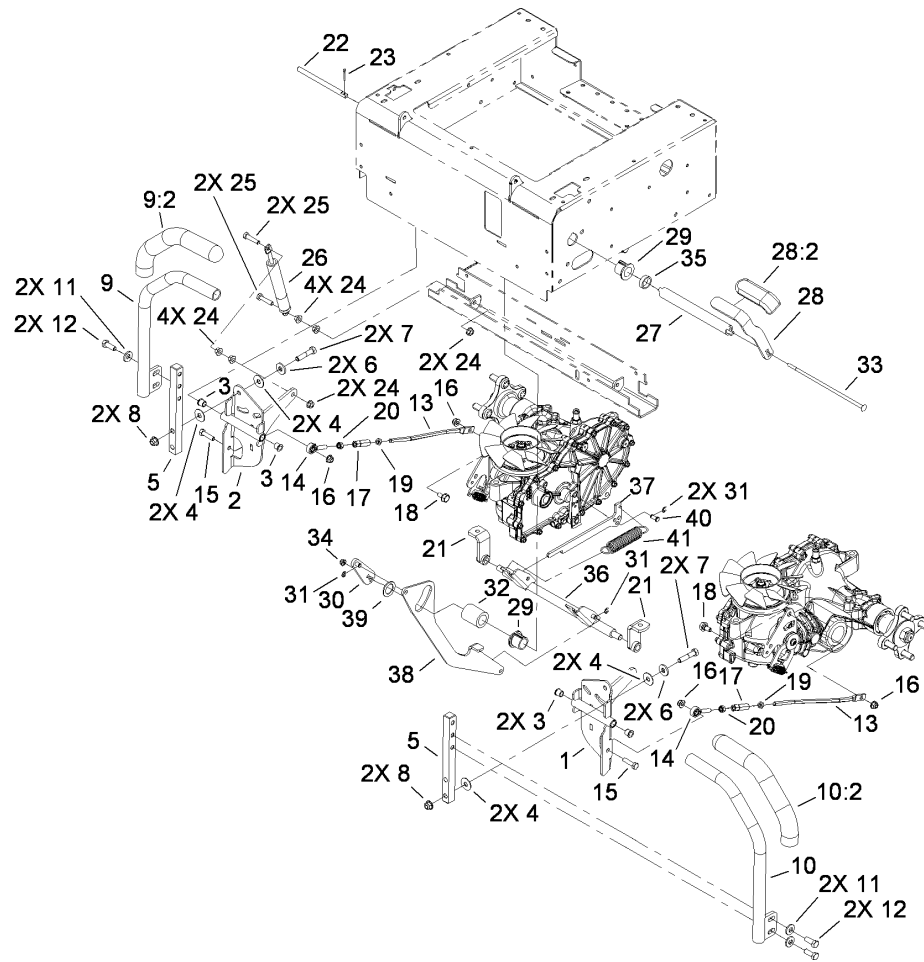
Ref	Part No.	Qty.	Description
1	109-8825	1	Frame ASM
1:2	109-6008	2	Decal-Drive Release
1:3	106-5517	2	Decal-Surface, Hot
1:4	109-8965	1	Decal-Safety
2	109-8845	1	Seat Box ASM
2:2	109-9182	1	Decal-Motion Control
2:3	109-9173	1	Decal-Control Brake
2:4	109-9120	1	Decal-Fuse Block
2:5	109-6014	1	Decal-Belt Routing
2:6	109-6210	1	Decal-Danger
3	32144-70	16	Screw-HWHTF
4	109-3678	4	Bearing-Ball
5	109-6218-01	2	Caster Fork ASM
6	109-3724	2	Washer
7	3234-47	5	Screw-HHF
8	109-6405	2	Caster Wheel ASM
8:1	105-1863	1	Wheel-Caster
8:2	104-3667	1	Spanner-Wheel
8:3	325-20	1	Screw-HH
8:4	92-2651	2	Washer
8:5	3296-45	1	Nut-Lock, NI
9	109-3667	4	Bearing-Flange
10	104-8300	21	Nut-Flange, NI
11	322-5	10	Screw-HH

Ref	Part No.	Qty.	Description
12	109-6045-03	1	Bracket-Tank Mount
13	3230-23	2	Screw-CARR
14	109-6867-03	1	Bracket-Rear Tank, LH
15	109-3406-03	1	Bracket-Rear Console, RH
16	109-3381-03	1	Guard-Engine, LH
17	109-3391-03	1	Guard-Engine, RH
18	109-5444-03	1	Casting-Rear
19	109-5432	1	Panel-Front
20	109-5441	1	Fender-LH
21	109-5442	1	Fender-RH
22	109-8870-03	1	Front Shaft ASM
23	109-8871-03	1	Rear Shaft ASM
24	114-1658-03	1	Guard-Muffler
25	9266714	6	Screw-HWH
26	3234-5	6	Screw-HHF
27	104-8301	4	Nut-Flange, NI
28	3231-9	4	Screw-CARR
29	3256-3	2	Washer-Flat
30	109-8758	1	Height Adjustment ASM
30:2	109-8759	1	Decal-Cut Height
31	109-5819	2	Pin-Clevis
32	3256-26	3	Washer-Flat
33	32120-47	3	Ring-Retaining, External
34	109-8755	1	Stop-Height Adjust



### Frame Assembly (continued)

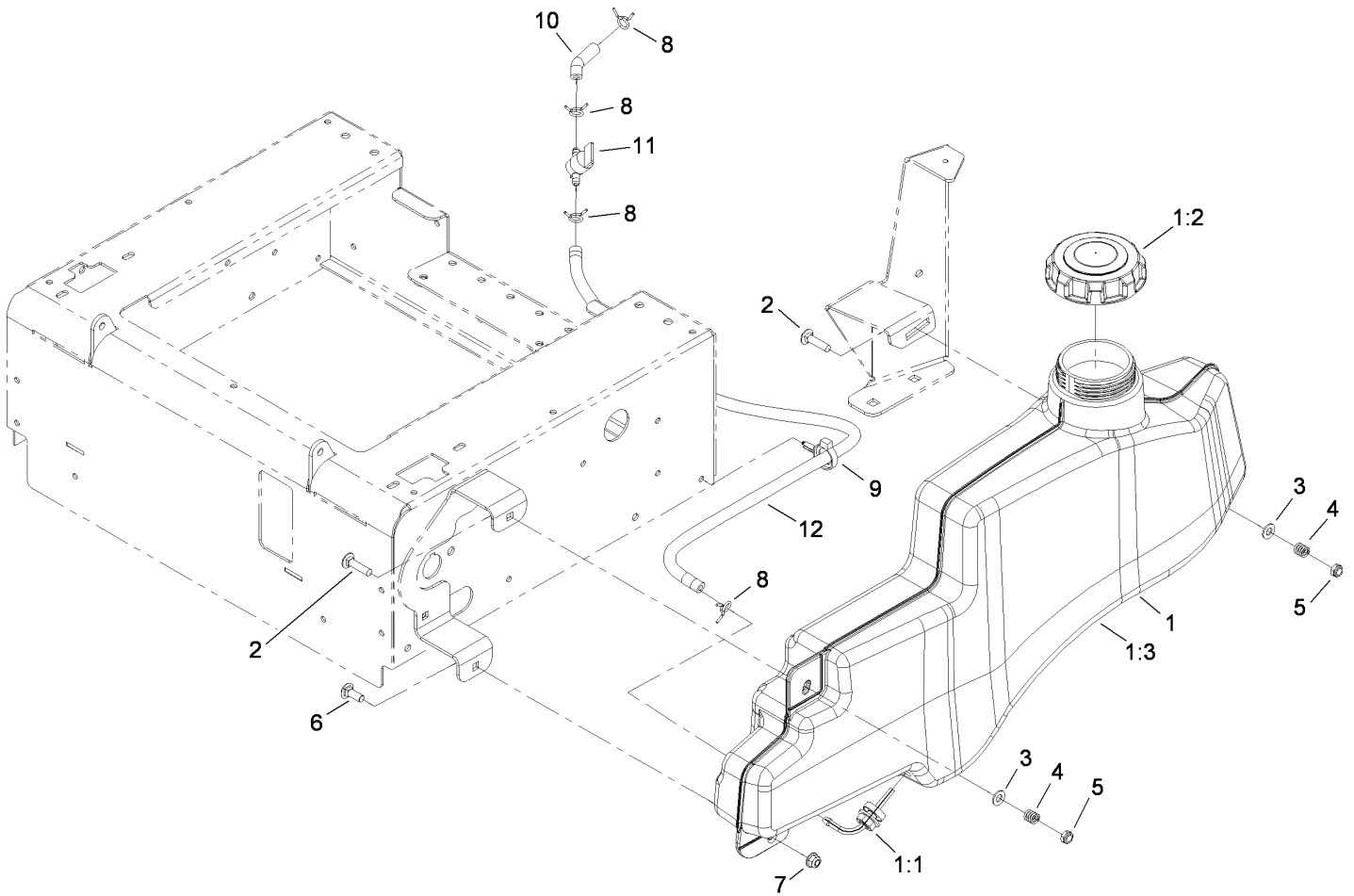
Ref	Part No.	Qty.	Description
35	109-5814	1	Arm-Float Link
36	109-5818	1	Pin-Pivot
37	109-6172	1	Pin-Clevis
38	93-4696	1	Pin-Hitch
39	109-6177	1	Pin-Spring
40	109-5486	2	Wheel And Tire ASM
40:1	109-5487	1	Wheel
40:2	109-5488	1	Tire
41	242-50	8	Nut-Lug
42	109-6190-03	1	Cover-Hydro Fan
43	99-6810	2	Screw-HH
44	92-7054	3	Spring-Compression
45	109-6214	2	Stop-Motion Control
46	1-303435	4	Washer-Spring
47	321-2	4	Screw-HH
48	109-9142	1	Decal-Front Panel
50	109-9143	1	Decal-Titan Z

## Motion Control and Brake Assembly

Ref	Part No.	Qty.	Description
1	109-6915	1	LH Motion Control Pivot ASM
2	109-6914	1	RH Motion Control Pivot ASM
3	103-9928	4	Bearing
4	52-2900	8	Washer-Plastic
5	109-3689	2	Post-Lever Mount
6	5-0838	4	Washer
7	323-9	4	Screw-HH
8	104-8301	4	Nut-Flange, NI
9	109-7098	1	RH Lever And Grip ASM
9:2	109-5192	1	Grip-Control Lever
10	109-7099	1	LH Lever And Grip ASM
10:2	109-5192	1	Grip-Control Lever
11	98-5975	4	Washer-Belleville
12	323-6	4	Screw-HH
13	109-3414	2	Rod-Steering
14	2411-53	2	Bearing-Rod End, LH
15	322-6	2	Screw-HH
16	104-8300	4	Nut-Flange, NI
17	109-3728	2	Nut-Rod Adjustment
18	37-8771	2	Bolt-Shoulder
19	3220-2	2	Nut-Jam
20	3220-20	2	Nut-Jam
21	109-6220	2	Brake Pivot ASM
22	109-3705	2	Pin-Control Pivot

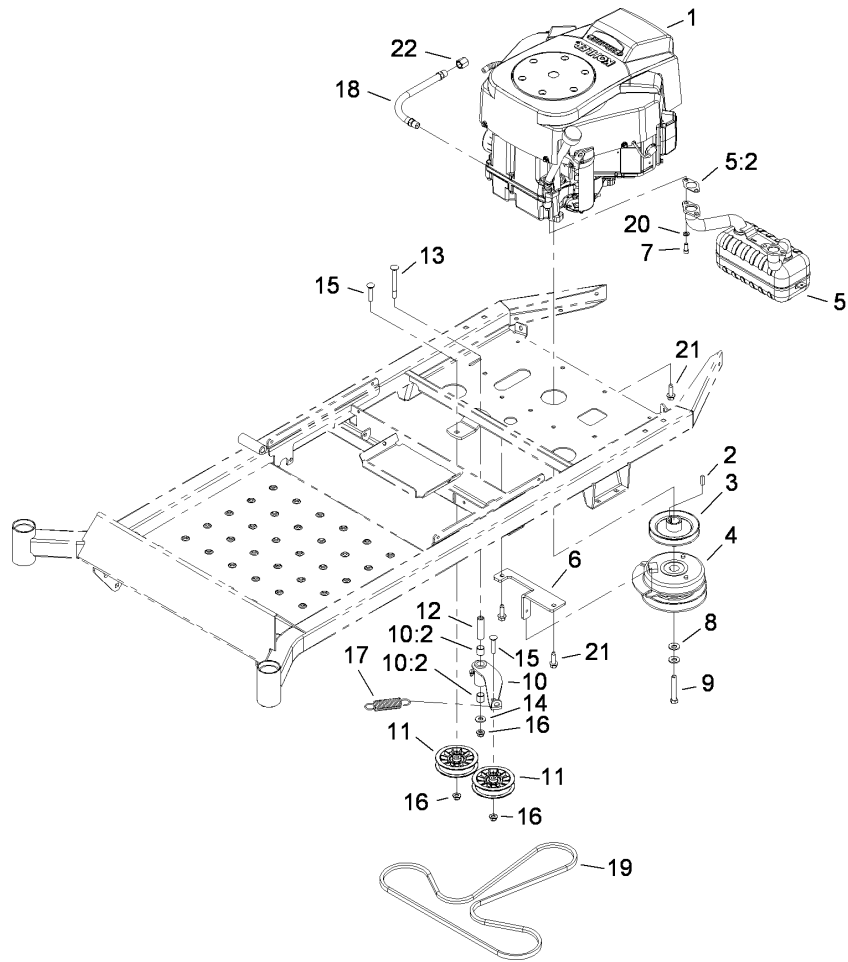
Ref	Part No.	Qty.	Description
23	3272-10	2	Pin-Cotter
24	32128-20	12	Nut-HF
25	1-403180	4	Screw-HH
26	109-5957	2	Damper-Motion Control
27	109-5825	1	Tube-Brake Pivot
28	109-5918	1	Lever ASM
28:2	1-633268	1	Grip-Lever, Brake
29	107-7581	2	Bushing-Flange, Keyed
30	109-5824	1	Bellcrank ASM
31	701197	4	E-Ring
32	109-5834	1	Spacer
33	109-5868	1	Bolt-CARR
34	104-7201	1	Nut-HF
35	109-5914	1	Spacer
36	109-8765	1	Brake Shaft ASM
37	109-6907	2	Link-Brake Actuation
38	109-5833	1	Arm-Brake
39	99-4958	1	Spacer
40	109-6887	2	Pin-Clevis
41	1-603693	2	Spring-Extension



## Fuel Tank Assembly

Ref	Part No.	Qty.	Description
1	109-5510	1	Fuel Tank ASM
1:1	103-2605	1	Fitting-Fuel, Bulkhead
1:2	109-0346	1	Cap-Fuel, Gas
1:3	109-3412	1	Tank-Fuel
2	3230-3	2	Screw-CARR
3	3256-23	2	Washer-Flat
4	1-633349	2	Spring-Tank, Fuel
5	3296-47	2	Nut-Lock, NI
6	3230-16	1	Screw-CARR
7	104-8300	1	Nut-Flange, NI
8	1-303077	4	Clamp
9	105-1853	1	Clamp-Hose
10	109-0304	1	Hose-Fuel
11	1-603770	1	Valve-Fuel
12	109-0286	1	Hose-Fuel

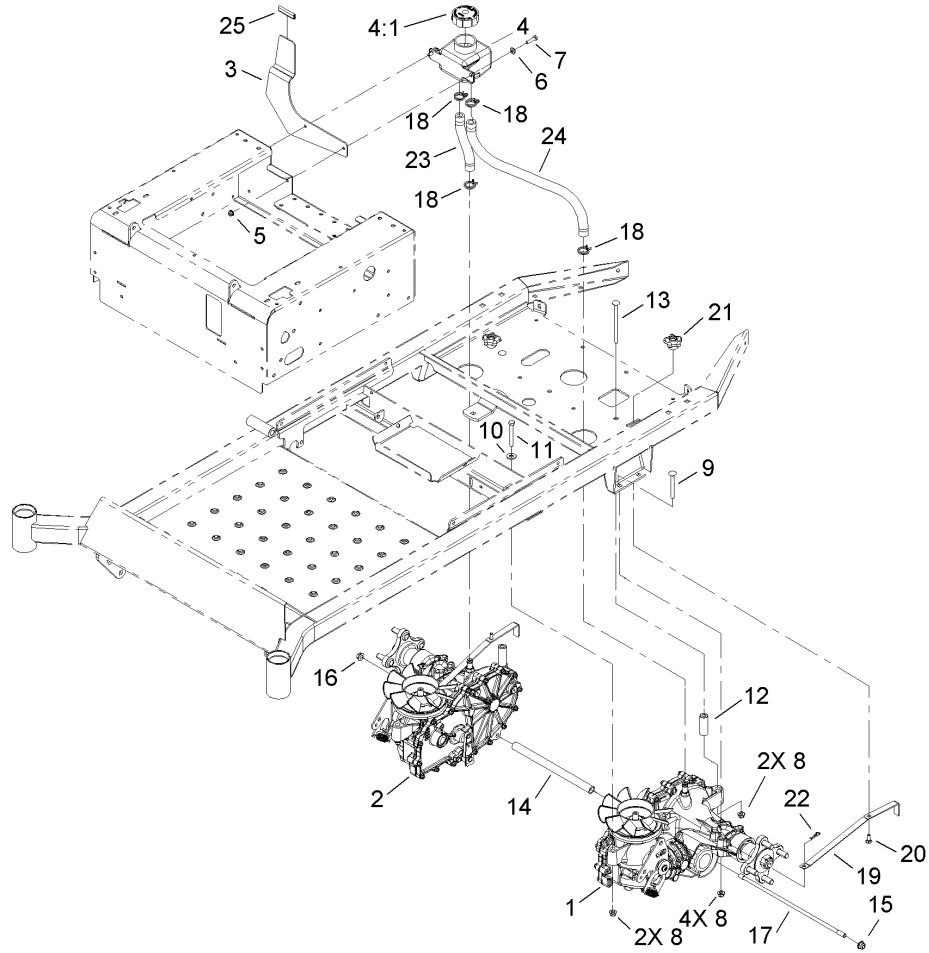
--	--	--	--



## Engine Assembly

Ref	Part No.	Qty.	Description
② ③ 1		1	Engine-Kohler, Sv820-0012
2	5-7280	1	Key
3	109-3386	1	Sheave-Split Steel
4	110-6766	1	Clutch-Electric, PTO
5	109-8951	1	Muffler ASM
5:2	110-6697	2	Gasket-Exhaust
6	109-8855-03	1	Anchor-Clutch
7	3274-10	4	Screw-HSH
8	1-603610	2	Washer-Spring
9	3212-11	1	Screw-HH
10	109-9162	1	Idler Arm ASM
10:2	1-513034	2	Sleeve-Bearing
11	109-3397	2	Pulley-Flat Idler
12	1-603384	1	Bushing-Pivot, Idler
13	3231-11	1	Screw-CARR
14	3256-4	1	Washer-Flat
15	3231-5	2	Screw-CARR
16	104-8301	3	Nut-Flange, NI
17	1-603402	1	Spring-Extension
18	82-4201	1	HYD Hose ASM
19	109-3388	1	Belt
20	3253-4	4	Washer-Lock
21	32144-109	4	Screw
22	288-10	1	Cap-Pipe

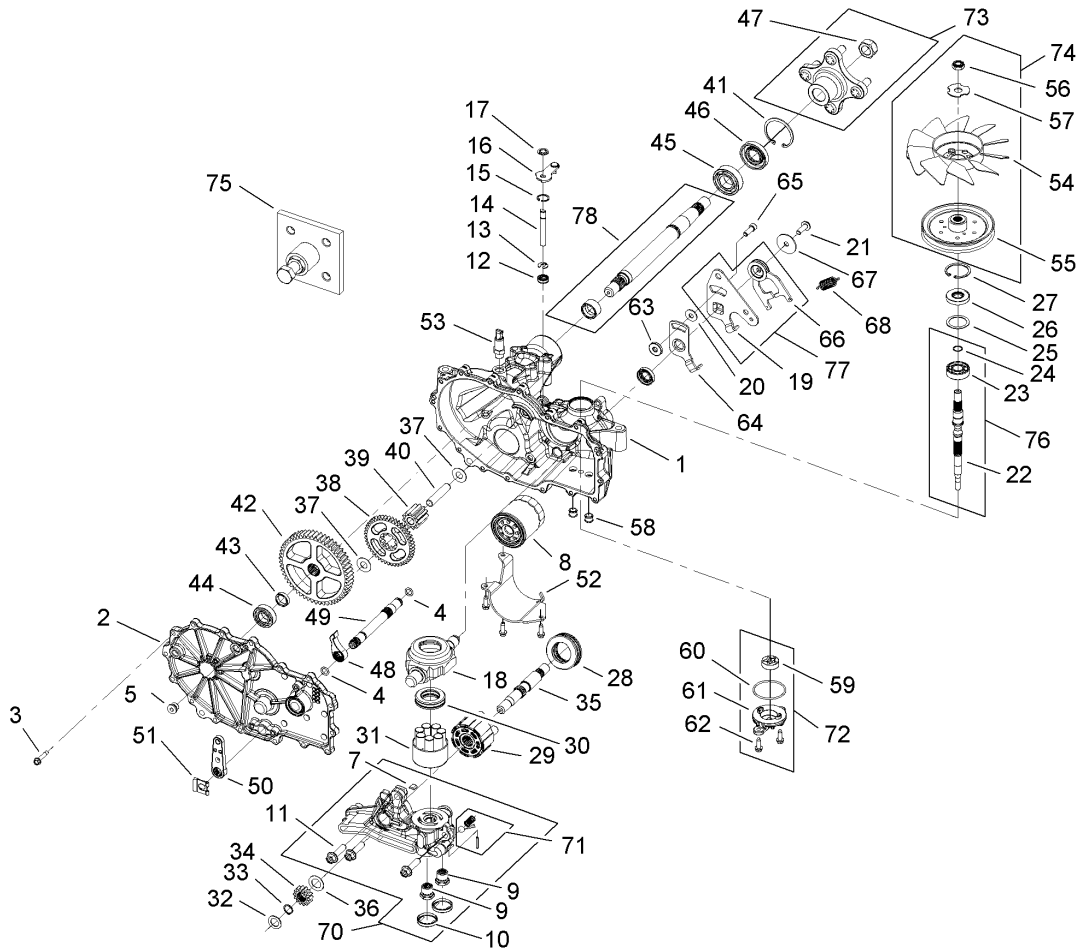
--	--	--	--



## Transmission Assembly

Ref	Part No.	Qty.	Description
1	109-3372	1	Transmission-LH
2	109-3371	1	Transmission-RH
3	109-6570-03	1	Bracket-Fender Support
4	109-2250	1	Vent-Tank, Hydro
4:1	109-3320	1	Cap-Reservoir, Hydraulic
5	104-7201	2	Nut-HF
6	3256-22	2	Washer-Flat
7	321-6	2	Screw-HH
8	104-8300	8	Nut-Flange, NI
9	3230-9	4	Screw-CARR
10	3256-3	2	Washer-Flat
11	322-12	2	Screw-HH
12	109-3652	2	Spacer-Hydro
13	3230-30	2	Screw-CARR
14	109-3710	1	Tube-Spacer
15	104-8301	1	Nut-Flange, NI
16	3290-357	1	Nut-HHF, Whiz
17	109-3711	1	Rod-Tension
18	109-3322	4	Clamp-Hose
19	109-5395	2	Arm-Hydro Bypass
20	3229-1	2	Screw-CARR
21	108-6402	2	Knob-Handle
22	1-806003	2	Pin-Hair
23	109-5577	1	Hose-Hydraulic

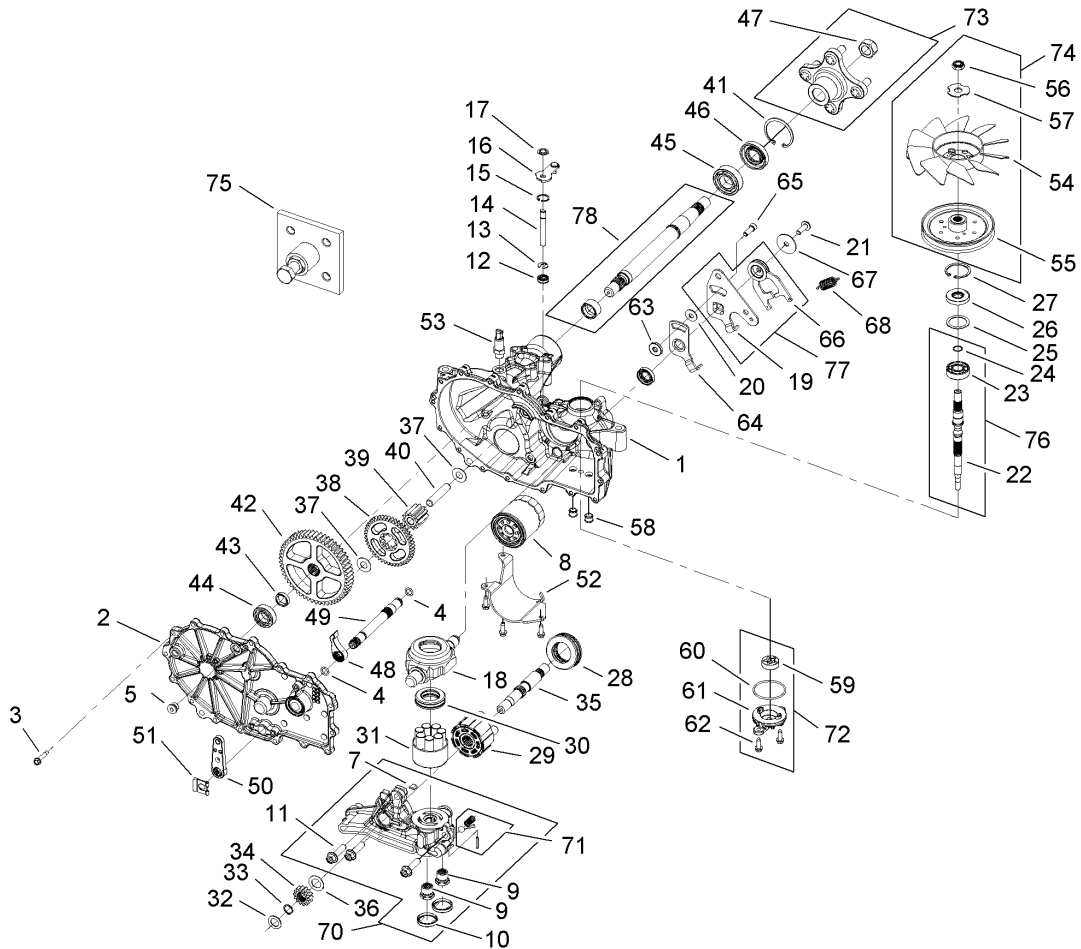
Ref	Part No.	Qty.	Description
24	109-5578	1	Hose-Hydraulic
25	109-2985	1	Trim



## LH Hydro Transmission Assembly No. 109-3372

Ref	Part No.	Qty.	Description
1	114-8471	1	LH Main Housing Kit
2	114-8472	1	LH Side Cover Kit
3	104-5305	16	Screw-HHF
4	114-1678	1	O-Ring
5	112-9850	1	Plug
6	114-1679	1	Loctite 590-Gasket Material
7	114-1680	1	Plate-Bypass
8	109-3321	1	Element-Oil Filter, HYD
9	114-1682	1	Check Plug
10	114-1683	2	Seal-Plug
11	114-1684	3	Screw-Hfhc
12	106-8676	1	Seal-Lip
13	106-8677	1	Ring-Retaining, EXT
14	114-1685	1	Rod-Bypass
15	106-8679	1	Ring-Retaining, Int
16	107-2490	1	Arm-Bypass
17	106-8681	1	Ring-Retaining, EXT
18	104-5304	1	Swashplate-Trunnion
19	114-1686	1	Arm-Control, RH
20	114-8491	1	Washer
21	107-2488	1	Screw
22	114-1687	1	Shaft-Input
23	103-7441	1	Bearing-Shaft, Input
24	104-5307	1	Ring-Retaining

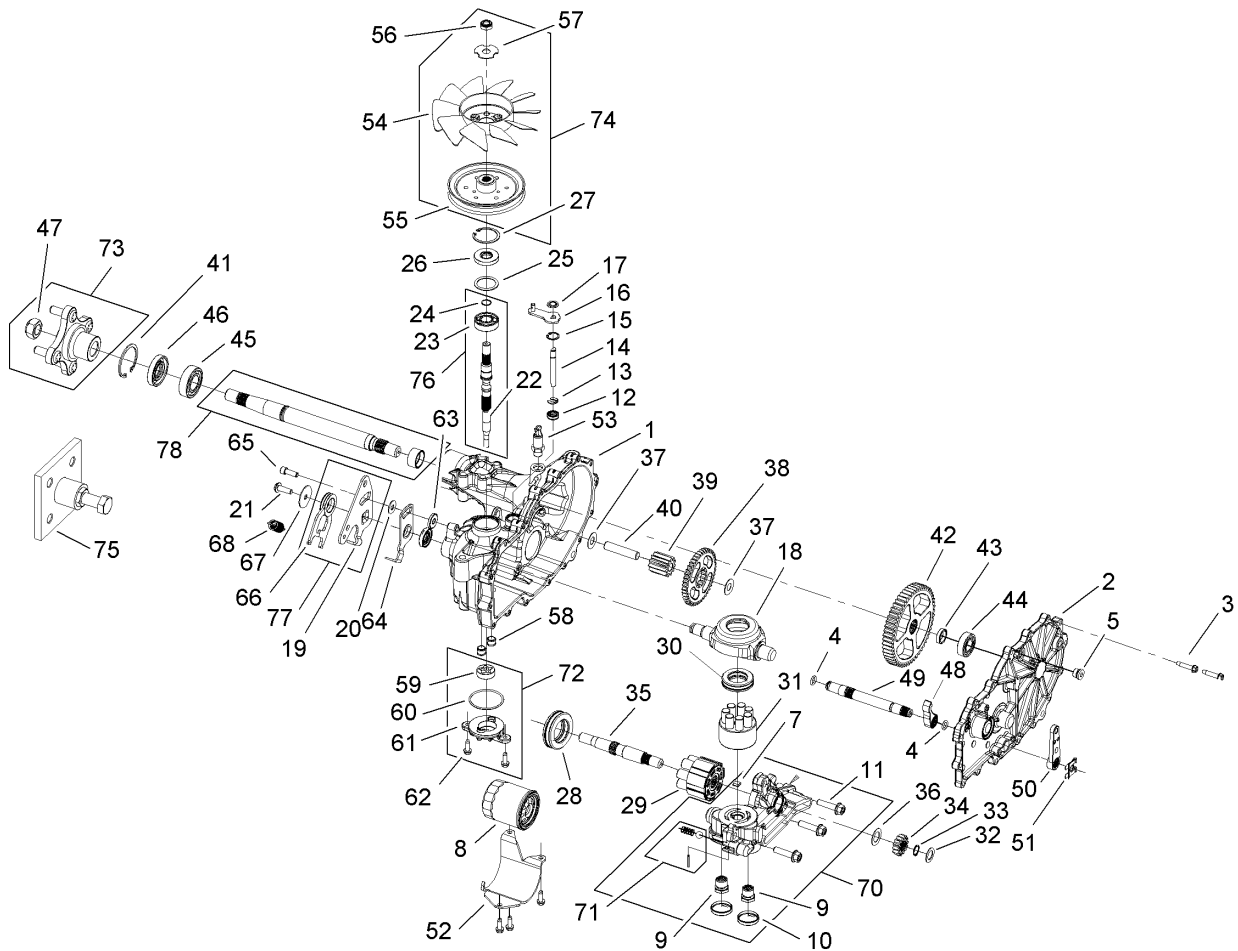
Ref	Part No.	Qty.	Description
25	104-5308	1	Spacer
26	104-5310	1	Seal-Lip
27	104-5309	1	Ring-Retaining
28	114-1688	1	Bearing-Thrust
29	114-1689	1	Motor Cylinder Block Kit
30	94-6922	1	Bearing-Thrust
31	110-8561	1	Pump Block ASM
32	104-5339	1	Washer-Flat
33	104-5340	1	Ring-Retaining
34	114-1690	1	Gear-14T
35	114-1691	1	Shaft-Motor
36	104-5360	1	Washer-Shaft, Motor
37	94-1933	1	Washer
38	114-1692	1	Gear-45T
39	114-1693	1	Gear-11T
40	104-5329	1	Pin-Jackshaft
41	104-2169	1	Ring-Retaining
42	114-1694	1	Gear-54T
43	114-1695	1	Spacer
44	114-1696	1	Bearing-Ball
45	104-2143	1	Bearing-Ball
46	104-2144	1	Seal
47	105-1895	1	Nut
48	114-1697	1	Pawl-Brake



## LH Hydro Transmission Assembly No. 109-3372 (continued)

Ref	Part No.	Qty.	Description
49	114-1698	1	Shaft-Inboard Brake
50	114-1699	1	Handle-Brake
51	114-8450	1	Clip-Retaining
52	114-8473	1	Guard-Filter, LH
53	109-3278	1	Adapter-Straight
①53:1	1-603921	1	O-Ring
54	114-8453	1	Fan-7.0
55	114-8454	1	Pulley-5.0 Inch
56	105-1875	1	Nut-Lock
57	107-9122	1	Washer-Slotted
58	114-8455	1	Tube-Connecting
59	104-2122	1	Gerotor ASM
60	109-3540	1	O-Ring-Seal
61	114-8457	1	Cover-Charge Pump
62	104-2120	1	Screw
63	114-8458	1	Spacer
64	114-8474	1	Arm-Neutral, Left
65	106-8682	1	Screw-Sh
66	114-8475	1	Rtn Ccw ASM
67	114-8478	1	Washer
68	109-5592	1	Spring-Extension
69	109-3537	1	Complete Seal Kit
70	114-8476	1	LH Center Section Kit
71	114-8464	1	Charge Relief Kit

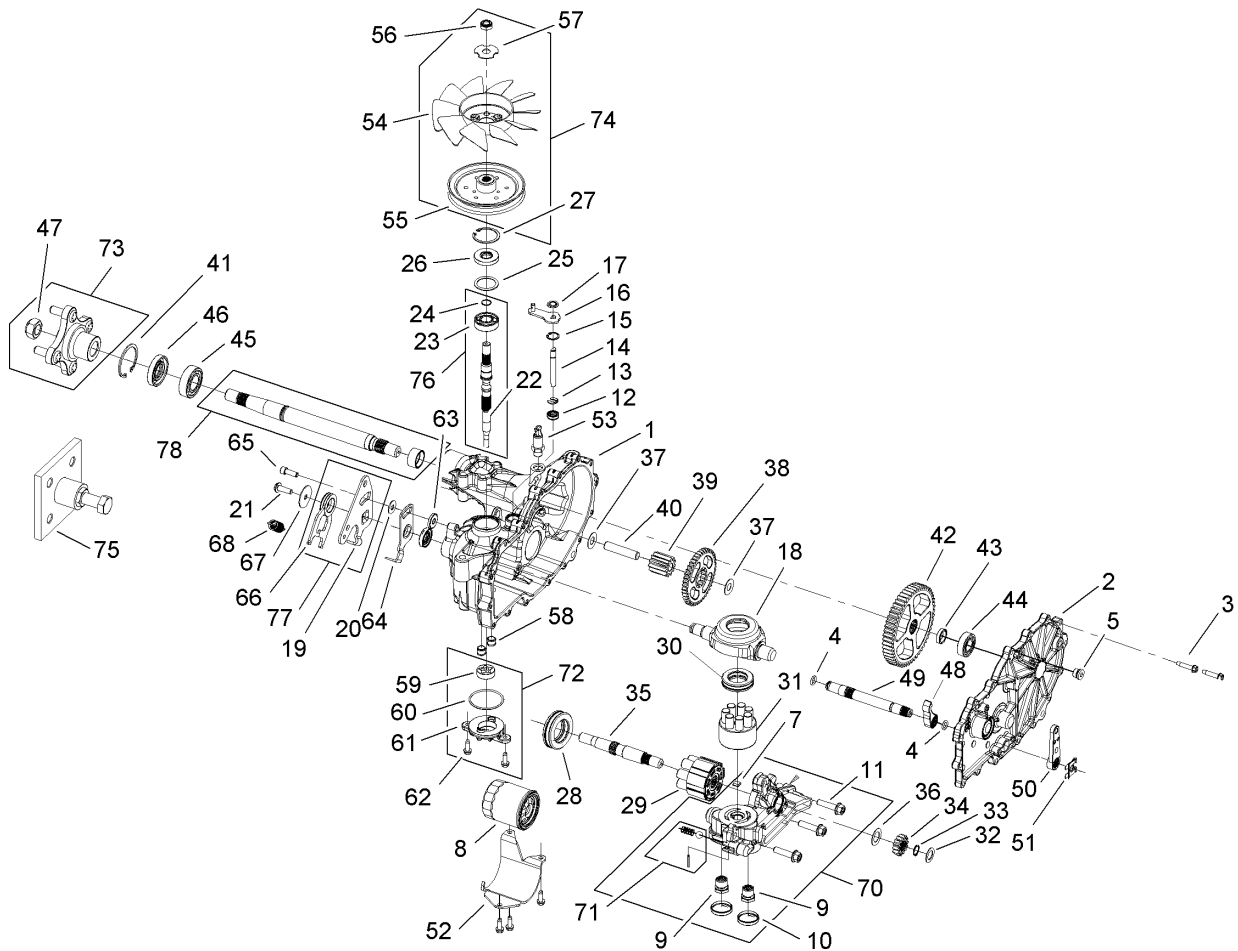
Ref	Part No.	Qty.	Description
72	114-8465	1	Charge Kit
73	109-5939	1	Hub Kit
②73:2		1	Hub W/Studs
74	109-5938	1	Fan And Pulley Kit
②74:2		1	Pulley
②74:3		1	Locknut,Hex
②74:4		1	Washer
75	114-8467	1	Hub-Puller, 4 Bolt
76	114-8468	1	Input Shaft Kit
77	114-8477	1	Rtn Ccw Kit
78	114-8470	1	Axle Shaft Kit



## RH Hydro Transmission Assembly No. 109-3371

Ref	Part No.	Qty.	Description
1	114-1676	1	RH Main Housing Kit
2	114-1677	1	RH Side Cover Kit
3	104-5305	16	Screw-HHF
4	114-1678	2	O-Ring
5	112-9850	1	Plug
6	114-1679	1	Loctite 590-Gasket Material
7	114-1680	1	Plate-Bypass
8	109-3321	1	Element-Oil Filter, HYD
9	114-1682	1	Check Plug
10	114-1683	2	Seal-Plug
11	114-1684	3	Screw-Hfhc
12	106-8676	1	Seal-Lip
13	106-8677	1	Ring-Retaining, EXT
14	114-1685	1	Rod-Bypass
15	106-8679	1	Ring-Retaining, Int
16	107-2490	1	Arm-Bypass
17	106-8681	1	Ring-Retaining, EXT
18	104-5304	1	Swashplate-Trunnion
19	114-1686	1	Arm-Control, RH
20	114-8491	1	Washer
21	107-2488	1	Screw
22	114-1687	1	Shaft-Input
23	103-7441	1	Bearing-Shaft, Input
24	104-5307	1	Ring-Retaining

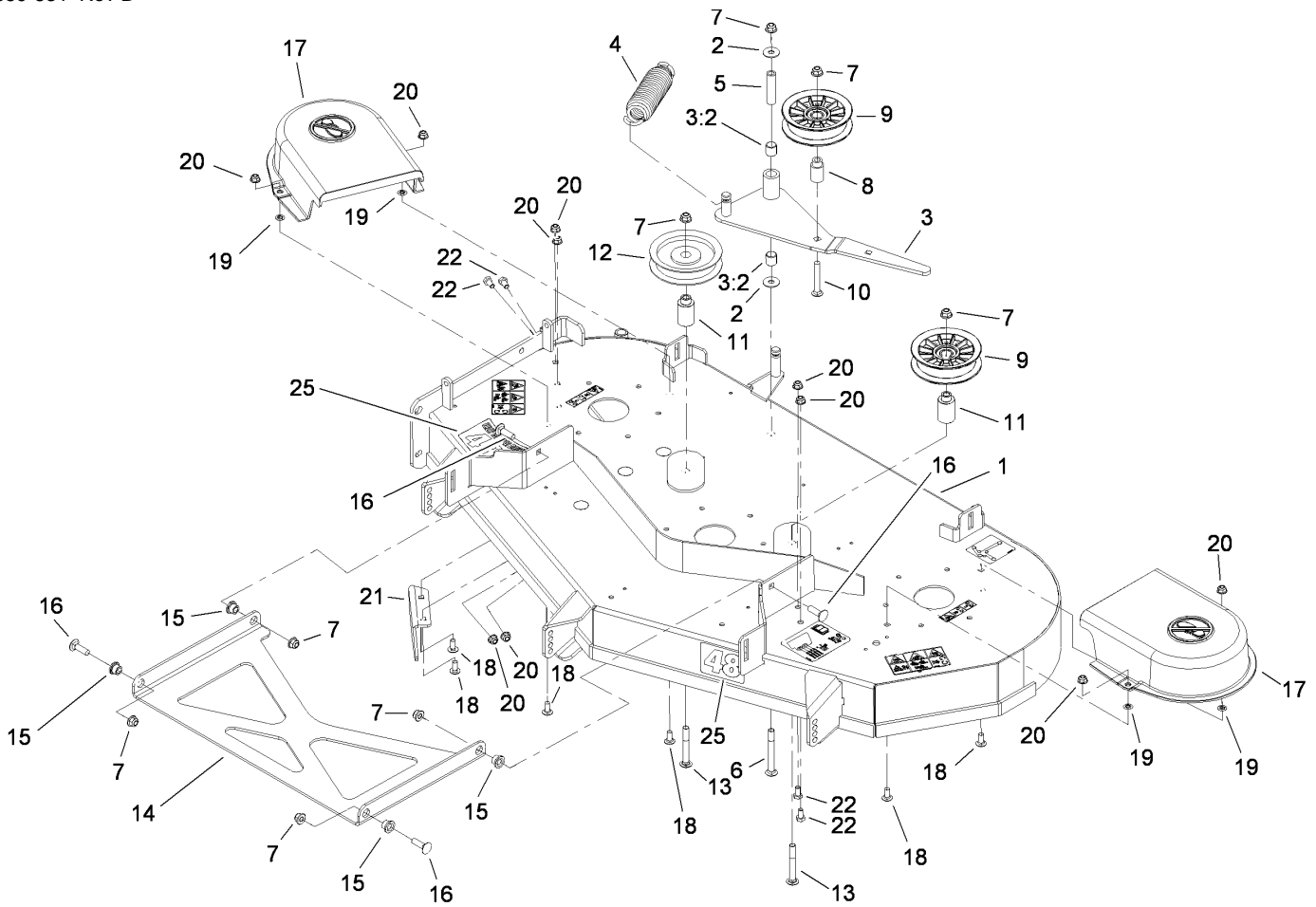
Ref	Part No.	Qty.	Description
25	104-5308	1	Spacer
26	104-5310	1	Seal-Lip
27	104-5309	1	Ring-Retaining
28	114-1688	1	Bearing-Thrust
29	114-1689	1	Motor Cylinder Block Kit
30	94-6922	1	Bearing-Thrust
31	110-8561	1	Pump Block ASM
32	104-5339	1	Washer-Flat
33	104-5340	1	Ring-Retaining
34	114-1690	1	Gear-14T
35	114-1691	1	Shaft-Motor
36	104-5360	1	Washer-Shaft, Motor
37	94-1933	2	Washer
38	114-1692	1	Gear-45T
39	114-1693	1	Gear-11T
40	104-5329	1	Pin-Jackshaft
41	104-2169	1	Ring-Retaining
42	114-1694	1	Gear-54T
43	114-1695	1	Spacer
44	114-1696	1	Bearing-Ball
45	104-2143	1	Bearing-Ball
46	104-2144	1	Seal
47	105-1895	1	Nut
48	114-1697	1	Pawl-Brake



## RH Hydro Transmission Assembly No. 109-3371 (continued)

Ref	Part No.	Qty.	Description
49	114-1698	1	Shaft-Inboard Brake
50	114-1699	1	Handle-Brake
51	114-8450	1	Clip-Retaining
52	114-8451	1	Guard-Filter, RH
53	109-3278	1	Adapter-Straight
●53:1	1-603921	1	O-Ring
54	114-8453	1	Fan-7.0
55	114-8454	1	Pulley-5.0 Inch
56	105-1875	1	Nut-Lock
57	107-9122	1	Washer-Slotted
58	114-8455	2	Tube-Connecting
59	104-2122	1	Gerotor ASM
60	109-3540	1	O-Ring-Seal
61	114-8457	1	Cover-Charge Pump
62	104-2120	2	Screw
63	114-8458	1	Spacer
64	114-8459	1	Arm-Neutral, Right
65	106-8682	1	Screw-Sh
66	114-8460	1	Cw Rtn ASM
67	114-8478	1	Washer
68	109-5592	1	Spring-Extension
●69	109-3537	1	Complete Seal Kit
70	114-8463	1	RH Center Section Kit
71	114-8464	1	Charge Relief Kit

Ref	Part No.	Qty.	Description
72	114-8465	1	Charge Kit
73	109-5939	1	Hub Kit
●73:2		1	Hub W/Studs
74	109-5938	1	Fan And Pulley Kit
●74:2		1	Pulley
●74:3		1	Locknut,Hex
●74:4		1	Washer
75	114-8467	1	Hub-Puller, 4 Bolt
76	114-8468	1	Input Shaft Kit
77	114-8469	1	Rtn Cw Kit
78	114-8470	1	Axle Shaft Kit



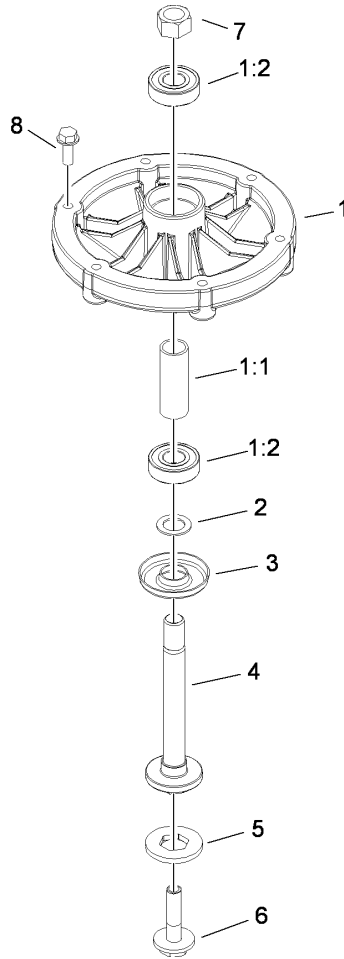
## 48 Inch Deck Assembly

Ref	Part No.	Qty.	Description
1	109-6253	1	48 Inch Deck ASM
2	52-2860	2	Washer
3	109-9158	1	Idler Arm ASM
3:2	1-513034	2	Sleeve-Bearing
4	103-3330	1	Spring-Extension
5	1-603384	1	Bushing-Pivot, Idler
6	3231-11	1	Screw-CARR
7	104-8301	8	Nut-Flange, NI
8	1-413113	1	Bushing-Idler
9	109-8891	2	Sheave And Bearing ASM
10	3231-31	1	Screw-CARR
11	109-6572	2	Bushing-Idler
12	1-603843	1	Pulley-Idler
13	109-6868	2	Bolt-Carriage
14	109-3723-01	1	Strut-Deck
15	109-8788	4	Bushing-Flanged
16	3231-25	4	Screw-CARR
17	109-3449	2	Shield-Belt
18	3230-23	6	Screw-CARR
19	109-5667	4	Ring-Retaining, Bolt
20	104-8300	10	Nut-Flange, NI
21	109-5498-03	1	Baffle-Discharge
22	322-2	4	Screw-HH
25	109-9145	1	Decal-Titan, 48 Inch Deck







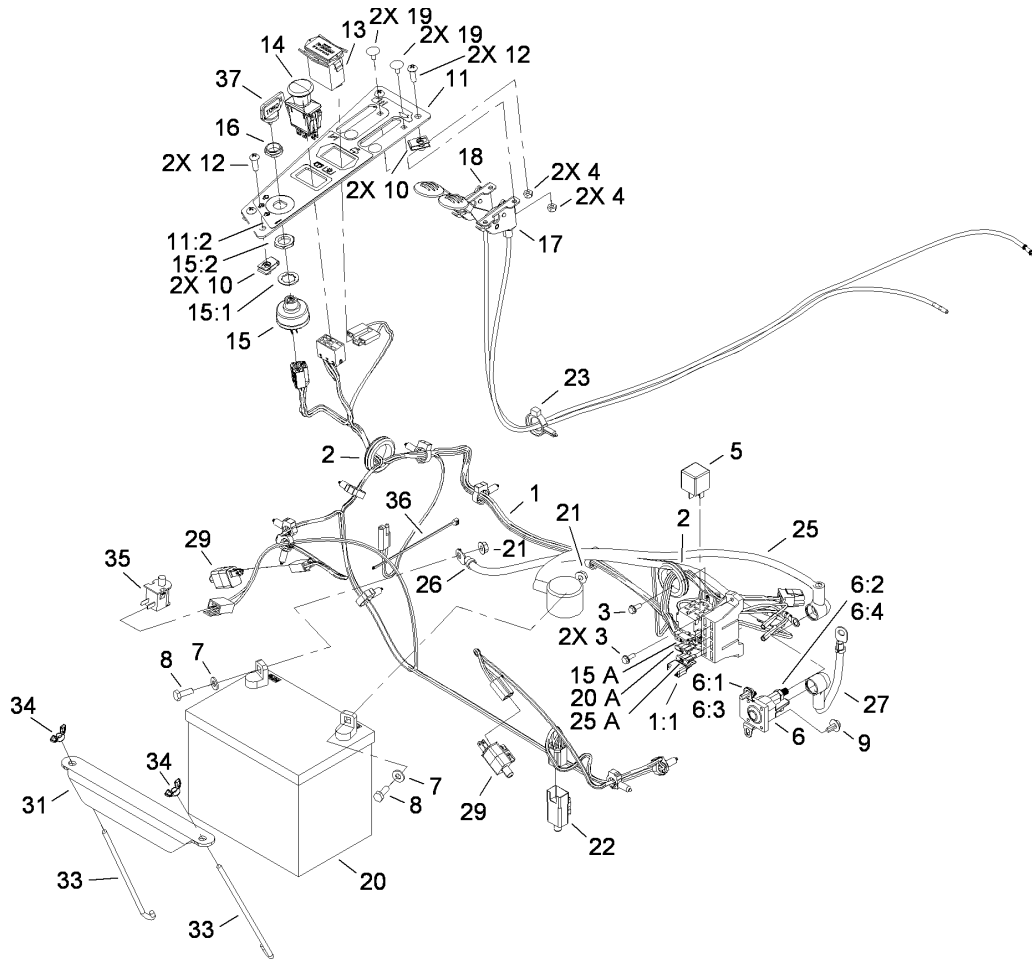



### Cutter Housing Assembly No. 109-8744

Ref	Part No.	Qty.	Description				
1	109-9380	1	Cutter Housing ASM				
1:1	62-3661	1	Spacer-Bearing				
1:2	109-9379	2	Bearing-Ball				
2	80-4380	1	Spacer				
3	80-4360	1	Shield-Bearing				
4	109-7431	1	Spindle-Hex Pilot				
5	109-7429	1	Washer-Blade Drive				
6	109-7452	1	Bolt-Sems, Blade				
7	3219-6	1	Nut-Hex				
8	32144-41	6	Screw-Taptite				





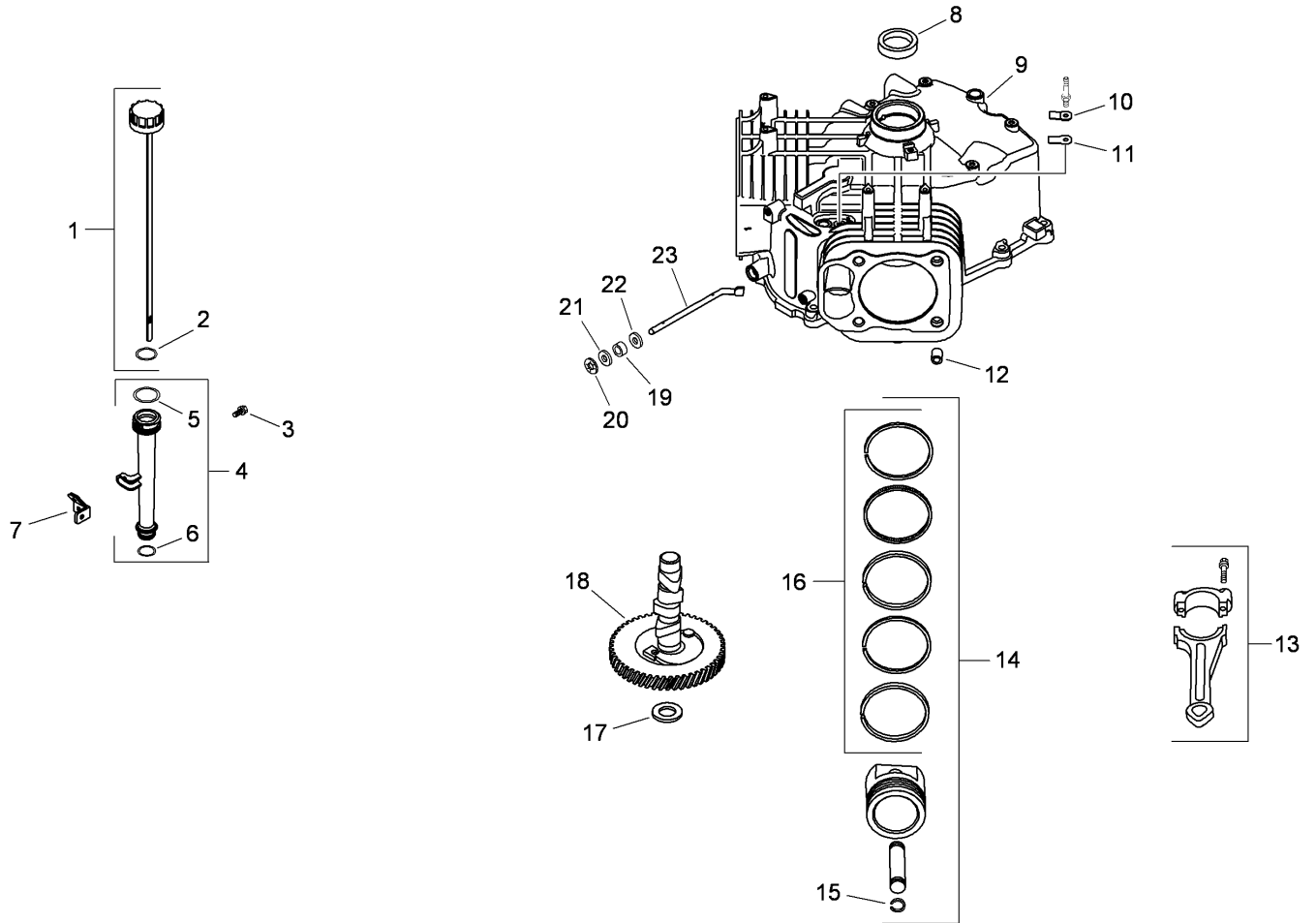


## Electrical Assembly

Ref	Part No.	Qty.	Description
1	109-8786	1	Harness-Wire
1:1	109-9186	1	Diode-Tvs
2	240-3	2	Grommet-Rubber
3	32144-1	3	Screw-Taptite
4	3296-2	4	Nut-Lock
5	1-643275	1	Relay
6	1-513075	1	Switch-Solenoid
6:1	3253-17	2	Washer-Lock
6:2	3253-4	2	Washer-Lock
6:3	3219-14	2	Nut-Hex
6:4	3220-2	2	Nut-Jam
7	3256-22	2	Washer-Flat
8	321-4	2	Screw-HH
9	46-8560	2	Screw-HHF
10	107069	4	Clip
11	109-6398	1	Control Panel ASM
11:2	109-6029	1	Decal-Console
12	3258-166	4	Screw-PRH
13	1-513374	1	Meter-Hour
14	103-5221	1	Switch-PTO
15	103-0206	1	Switch-Starting, Key
15:1	3254-5	1	Washer-Tooth
15:2	218-461	1	Nut-HH
16	103-0498	1	Nut-Switch, Ignition

Ref	Part No.	Qty.	Description
17	109-3987	1	Control-Throttle
18	109-9147	1	Control-Choke
19	1-807513	4	Bolt-CARR
20	104-2491	1	Battery
21	32128-33	2	Nut-HF
22	99-7408	1	Switch-Reverse
23	105-1853	1	Clamp-Hose
25	109-7653	1	Positive Battery Cable ASM
26	103-0705	1	Cable-Ground, Negative
27	109-9415	1	Positive Starter Cable ASM
29	110-6765	2	Switch-Single Pole No
31	103-1311-03	1	Holddown-Battery
33	1-633651	2	Bolt-Holddown
34	1-543792	2	Wingnut
35	82-2190	1	Switch-Bail
36	1-303287	1	Tie-Plastic
37	63-8360	1	Key-Ignition



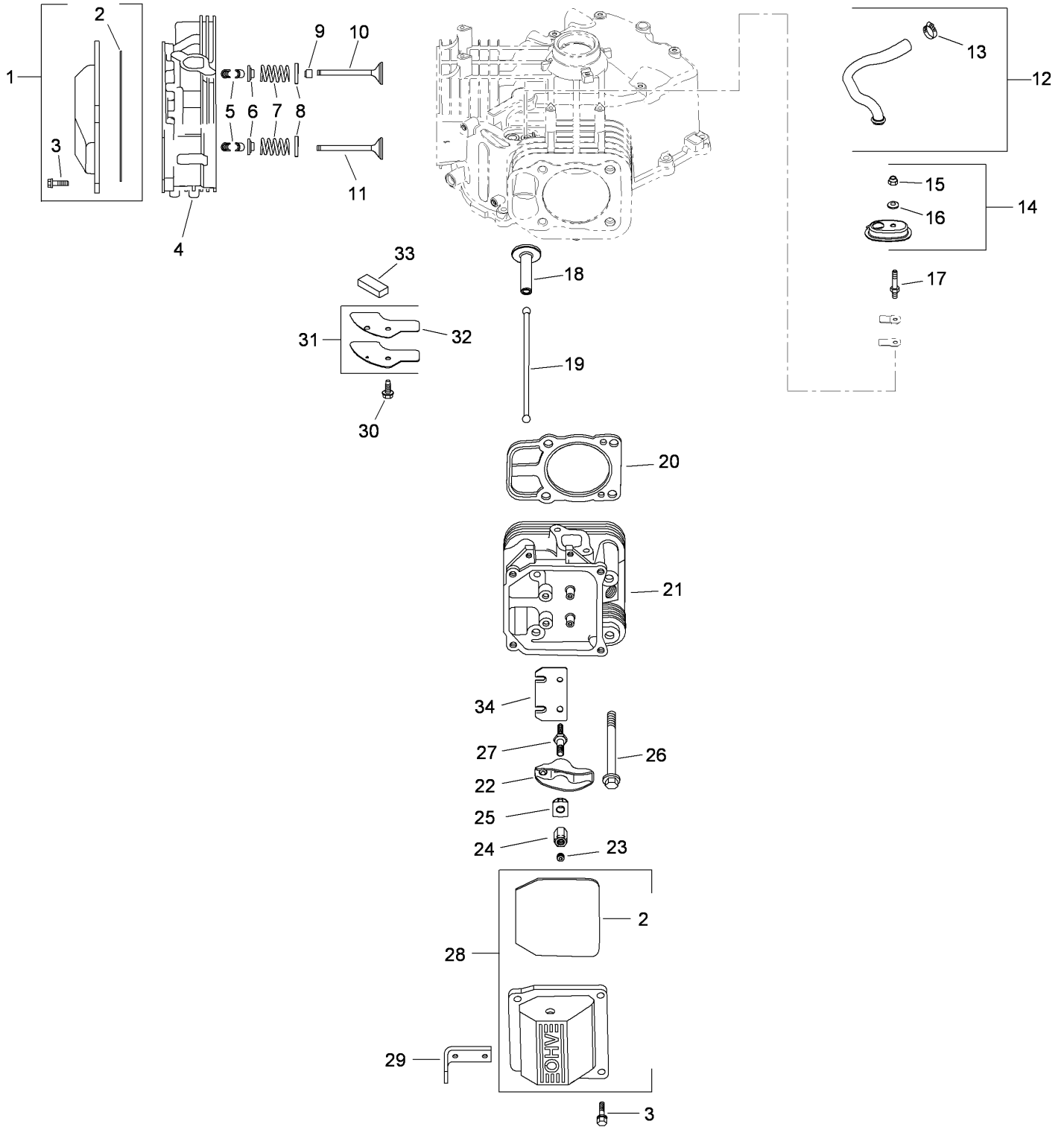


## Crankcase Assembly Kohler SV820-0012

Ref	Part No.	Qty.	Description
❶1	32 038 01-S	1	Dipstick ASM (Cub Yellow) (Includes 2)
❷2	25 153 02-S	1	O-Ring (Dipstick)
❸3	M-545013-S	1	Screw-Flg, Thd Frm (M5X0.8X13)
❹4	12 123 04-S	1	Oil Fill Tube Kit (Includes 5, 6)
❺5	12 153 02-S	1	O-Ring (Upper Oil Fill Tube)
❻6	12 153 01-S	1	O-Ring (Lower Oil Fill Tube)
❼7	24 126 19-S	1	Bracket-Tube, Oil Fill
❸8	24 032 19-S	1	Seal-Oil (Helix Lip)
❹9	32 522 03	1	Shortblock
❺10	24 018 04-S	1	Retainer-Reed, Breather
❻11	12 402 02-S	1	Reed-Breather
❸12	24 380 16-S	6	Pin-Locating
❹13	24 067 24-S	2	Rod-Connecting (STD)
❺14	24 874 38-S	2	Piston W/Ring Set (STD) (Includes 15, 16)
❸14	24 874 27-S	2	Piston W/Ring Set (.08)
❹14	24 874 28-S	2	Piston W/Ring Set (.25)
❻15	24 018 01-S	4	Retainer-Pin, Piston
❸16	24 108 14-S	2	Ring Set (STD)
❹16	24 108 16-S	2	Ring Set (.25)
❸17	12 422 07-S	1	Shim-Camshaft (White .028)
❹17	12 422 08-S	1	Shim-Camshaft (Blue .03)
❸17	12 422 09-S	1	Shim-Camshaft (Red .032)

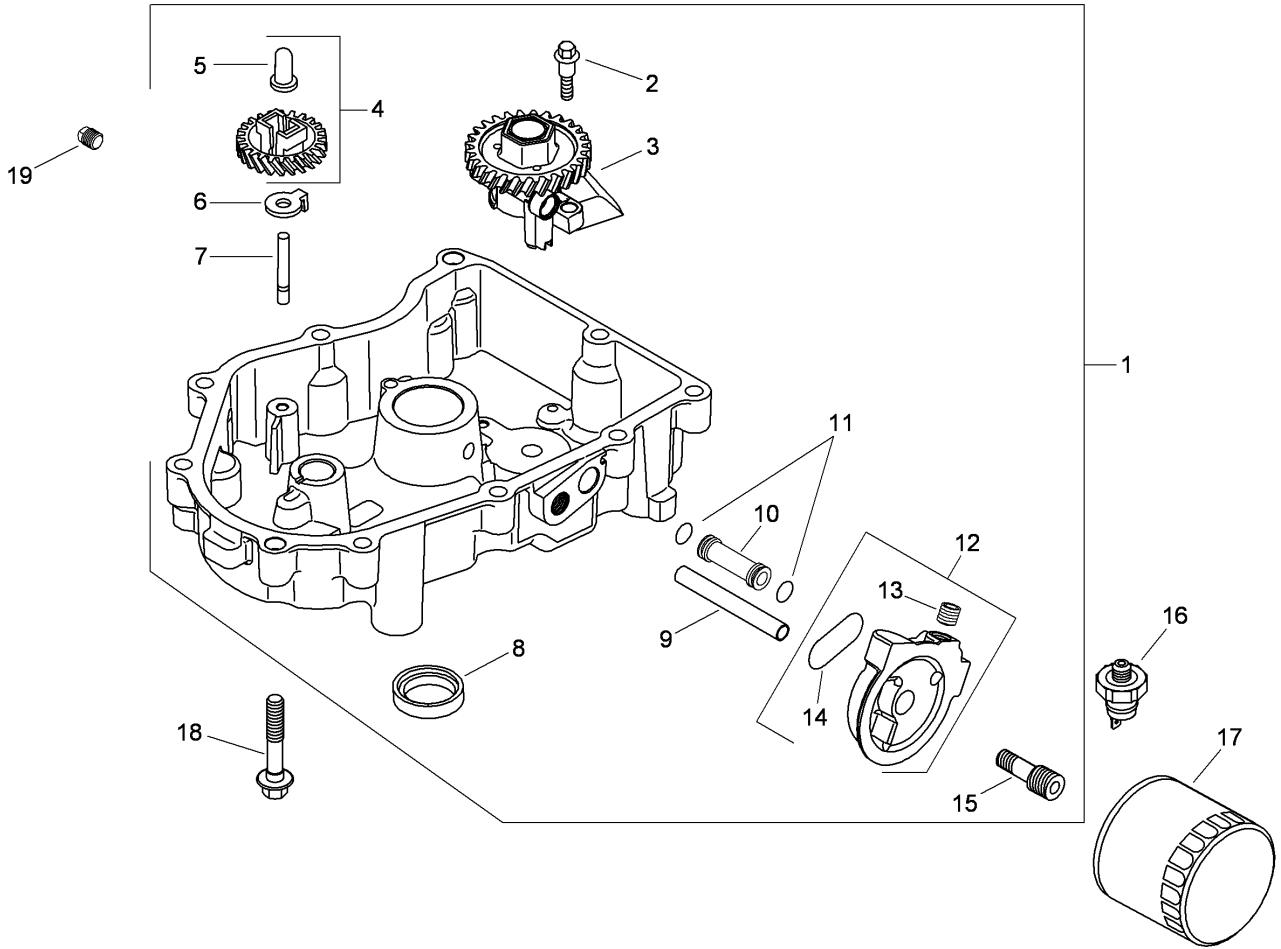
Ref	Part No.	Qty.	Description
❸17	12 422 10-S	1	Shim-Camshaft (Yellow .034)
❹17	12 422 11-S	1	Shim-Camshaft (Green .036)
❸17	12 422 12-S	1	Shim-Camshaft (Gray .038)
❹17	12 422 13-S	1	Shim-Camshaft (Black .04)
❸18	32 012 01-S	1	Camshaft Kit (Includes 25 357 14-S)
❸19	28 032 09-S	1	Seal-Cross Shaft, Governor
❸20	24 018 09-S	1	Retainer-Ring
❸21	M-931010-S	1	Washer-Flat (9Mm)
❸22	24 468 15-S	1	Washer-Flat (11/32)
❸23	24 144 38-S	1	Shaft-Cross, Governor
❶❸	25 357 14-S	1	Lubricant-Camshaft

# Head, Valve and Breather Assembly Kohler SV820-0012



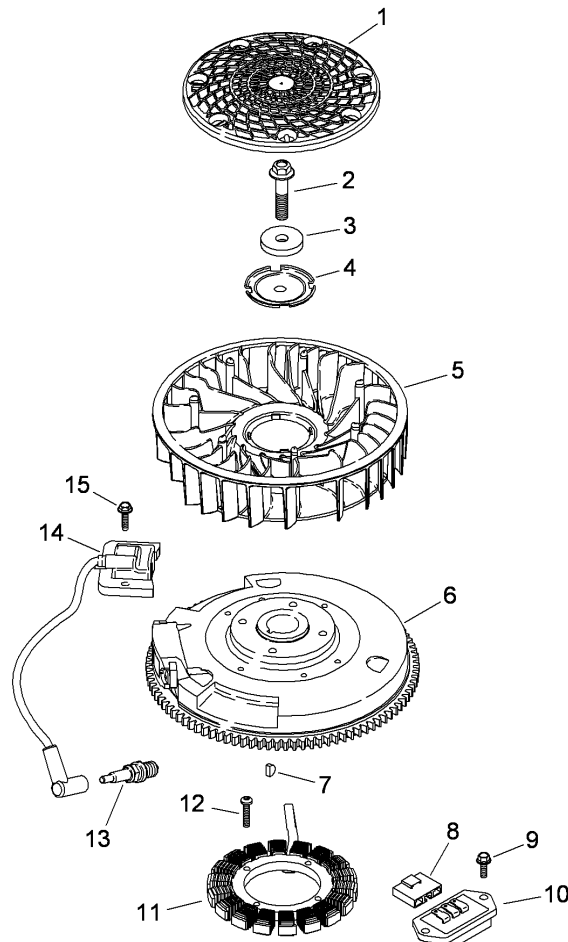
## Head, Valve and Breather Assembly Kohler SV820-0012

Ref	Part No.	Qty.	Description				
③1	24 755 141-S	1	Plain Rocker Cover Kit (Includes 2 [qty 1], 3 [qty 4])				
③2	24 153 30-S	2	O-Ring (Valve Cover)				
③3	M-651030-S	8	Screw-Flange ( M6X1.0X30)				
③4	32 318 05-S	1	Cylinder Head No.1 ASM (Includes 26 [qty 4] And 20)				
③5	12 755 03-S	4	Retainer Kit				
③6	12 173 01-S	4	Cap-Spring, Valve				
③7	24 089 02-S	4	Spring-Valve				
③8	235011-S	4	Retainer-Spring				
③9	66 032 05-S	2	Seal-Stem, Valve				
③10	24 017 01-S	2	Intake Kit (STD)				
③11	24 016 01-S	2	Valve-Exhaust (STD)				
③12	32 326 06-S	1	Breather Hose Kit (Includes 13 [qty 1])				
③13	25 237 14-S	5	Clamp-Hose, Spring (1/2)				
③14	32 081 02-S	1	Breather Housing Kit (Includes 15, 16)				
③15	M-547050-S	1	Nut-Lock (M5X.8)				
③16	32 468 01-S	1	Washer-Sealing				
③17	32 072 03-S	1	Stud-Cover, Breather				
③18	32 019 01-S	4	Tappet				
③19	32 411 04-S	4	Rod-Push				
③20	24 841 03-S	2	Cylinder Head Gasket Kit (Includes Head Mounting Hardware And 24 041 49-S, 24 153 27-S)				
③21	32 318 06-S	1	No.2 Cylinder Head ASM (Includes 26[qty 4] And 20)				
③22	32 186 03-S	4	Arm-Rocker				
③23	25 100 33-S	4	Nut (M10X0.75 )				
③24	25 086 128-S	4	Screw-Set				
③25	25 599 01-S	4	Pivot-Arm, Rocker				
③26	12 086 16-S	8	Screw-Flange (M10X1.5X90)				
③27	32 072 04-S	4	Stud-Rocker				
③28	32 096 06-S	1	Breather Valve Cover Kit (Includes 2 [qty 1])				
③29	24 445 01-S	1	Strap-Lifting				
③30	M-645016-S	1	Screw-Flange, Thread Forming (M6X1.0X16)				
③31	32 096 04-S	1	Breather Cover Kit (Includes 32)				
③32	32 041 01-S	1	Gasket-Cover, Breather				
③33	32 050 01-S	1	Filter-Breather				
③34	32 146 09-S	2	Plate-Guide				
①⑤	24 041 49-S	1	Gasket-Exhaust				
①⑤	24 153 27-S	1	O-Ring (Intake Port)				
①⑤	32 755 03-S	2	Cylinder Head Hardware Kit (Services 1 Head-Qtys Listed Are For Both Heads) (Includes 5-11, 19, 22, 25, 34)				



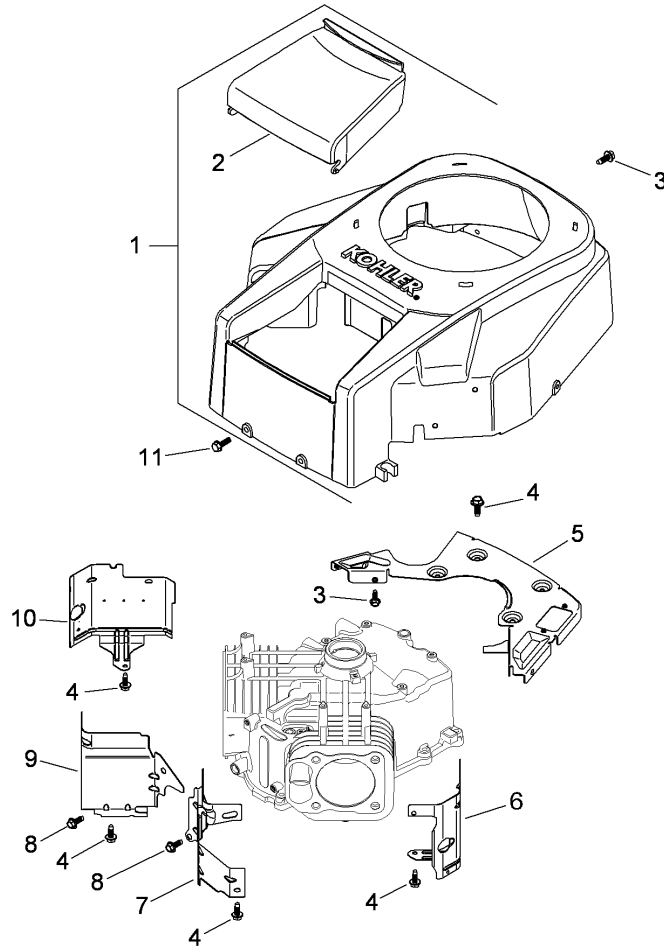
## Oil Pan and Lubrication Assembly Kohler SV820-0012

Ref	Part No.	Qty.	Description
❶	32 199 09-S	1	Oil Pan ASM (Includes 2-15)
❷	32 086 01-S	2	Screw-Shoulder, Thd Frm (M6X1.0X26.5)
❸	32 393 10-S	1	Oil Pump ASM
❹	24 043 12-S	1	Governor Gear W/Pin Kit (Includes 5)
❺	12 380 01-S	1	Pin-Regulating, Governor
❻	24 448 02-S	1	Tab-Locking
❼	12 144 02-S	1	Shaft-Gear, Governor
❽	25 032 06-S	1	Seal-Oil
❾	32 123 01-S	1	Tube-Feed, Oil (Filter To Pan)
❿	32 123 03-S	1	Tube-Feed, Oil (Pan To Filter)
⓫	24 153 01-S	3	O-Ring (Oil Pick-Up)
⓬	32 029 16-S	1	Oil Filter Adapter Kit (Includes 13, 14)
⓭	25 139 60-S	1	Plug-Pipe, Countersunk (1/8)
⓮	32 153 04-S	1	O-Ring (Oil Filter Adapter)
⓯	32 136 03-S	1	Nipple-Filter, Oil
⓰	24 099 03-S	1	Switch-Pressure
⓱	25 050 34-S	1	Filter-Oil
⓲	24 086 17-S	10	Screw-Flange (M8X1.25X45)
⓳	25 139 57-S	2	Plug-Pipe, Sq HD (3/8)

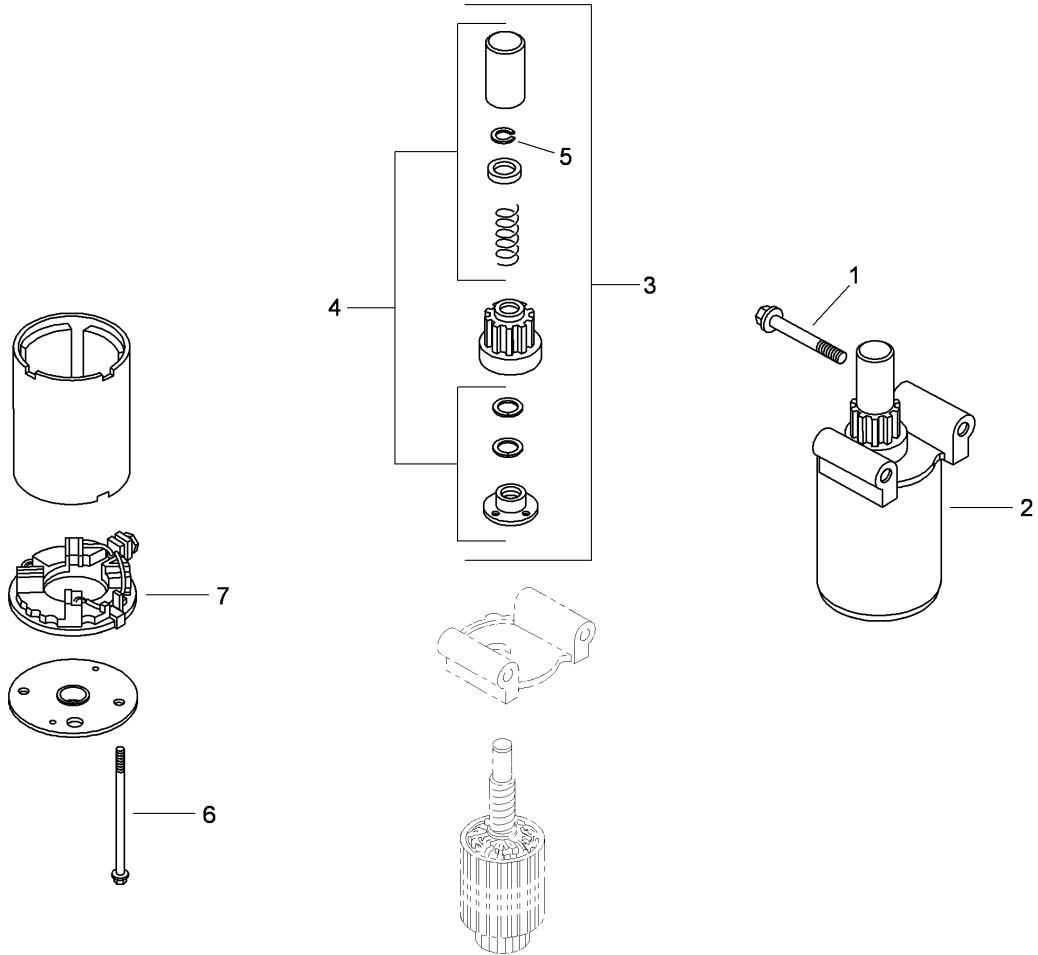
## Ignition and Electrical Assembly Kohler SV820-0012

Ref	Part No.	Qty.	Description				
1	32 162 03-S	1	Screen-Grass				
2	12 086 14-S	1	Screw-Flange (M10X1.5X45)				
3	12 468 03-S	1	Washer-Flat (13/32)				
4	20 146 05-S	1	Plate-Mounting, Fan				
5	32 157 01-S	1	Fan				
6	32 025 16-S	1	Flywheel ASM (Sv710/Sv730)				
7	X-42-15-S	1	Key (3/16 X 5/8)				
8	25 155 41-S	1	Connector (3 Contact)				
9	M-545016-S	2	Screw-Flange, Thread Forming (M5X0.8X16)				
10	41 403 10-S	1	Rectifier/Regulator				
11	237878-S	1	15 Amp Stator Kit (Includes 25 452 01-S)				
12	20 086 22-S	2	Screw-Drive, Trx HD				
13	25 132 14-S	2	Spark Plug (R F I)				
14	24 584 45-S	2	Ignition Module Kit (Cdi Fixed)				
15	M-545020-S	4	Screw-Flange, Thread Forming (M5X.8X20)				
16	25 454 03-S	2	Tie-Wire				
17	32 176 14-S	1	Wire Harness Kit				
18	25 454 05-S	1	Tie				
19	25 452 01-S	2	Terminal				



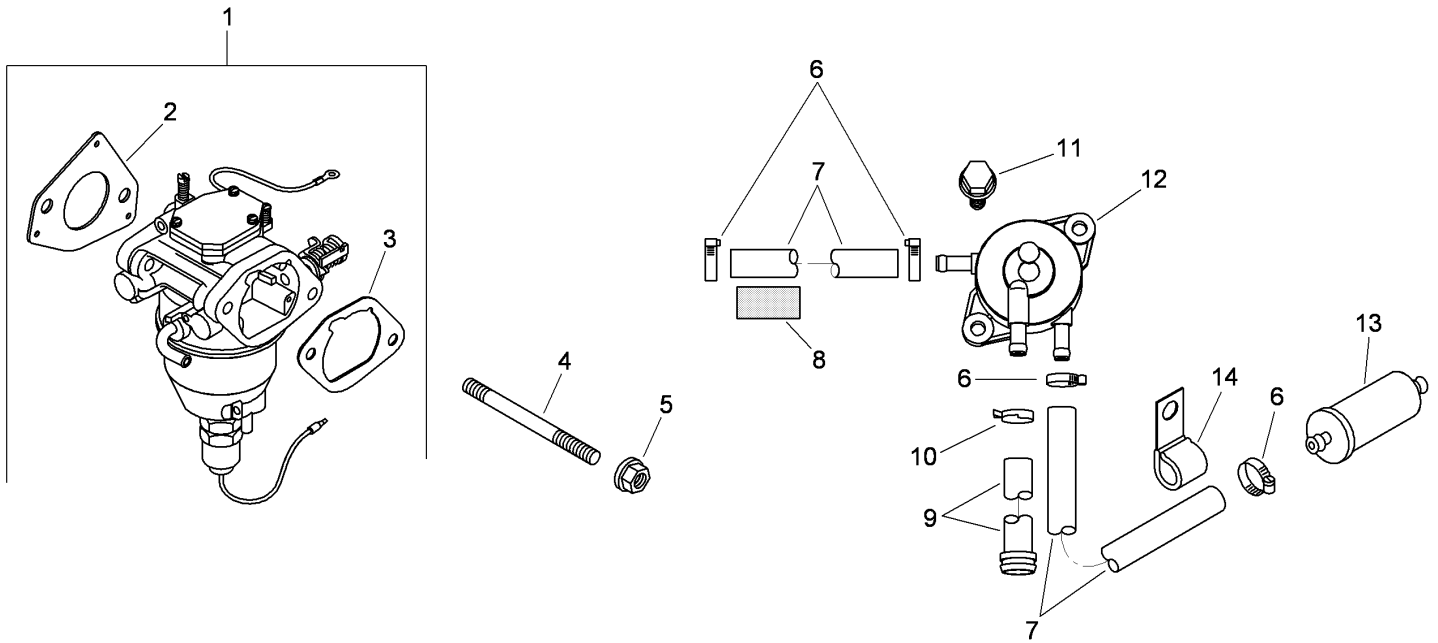
## Blower Housing Assembly Kohler SV820-0012

Ref	Part No.	Qty.	Description				
❶	32 027 15-S	1	Blower Housing ASM (W/Guard)				
❷	32 096 09-S	1	Cover-Cleaner, Air (Black)				
❸	M-545016-S	6	Screw-Flange, Thread Forming (M5X0.8X16)				
❹	M-645016-S	8	Screw-Flange, Thread Forming (M6X1.0X16)				
❺	32 146 05-S	1	Backing Plate Kit				
❻	32 063 12-S	1	Baffle-Barrel, Cylinder (No.2 Side)				
❼	32 063 02-S	1	Baffle-Valley (No.2 Side)				
❽	M-545010-S	2	Screw-Flange, Thread Forming (M5X.8X10)				
❾	32 063 03-S	1	Baffle-Valley (No.1 Side)				
❿	32 063 10-S	1	Baffle-Barrel, Cylinder (No.1 Side)				
⓫	24 086 12-S	2	Screw-TAP (M6X1.7X18)				
⓬	32 113 11-S	1	Decal-Guard, Fixed				
⓭	41 037 10-S	1	Nameplate-Service				



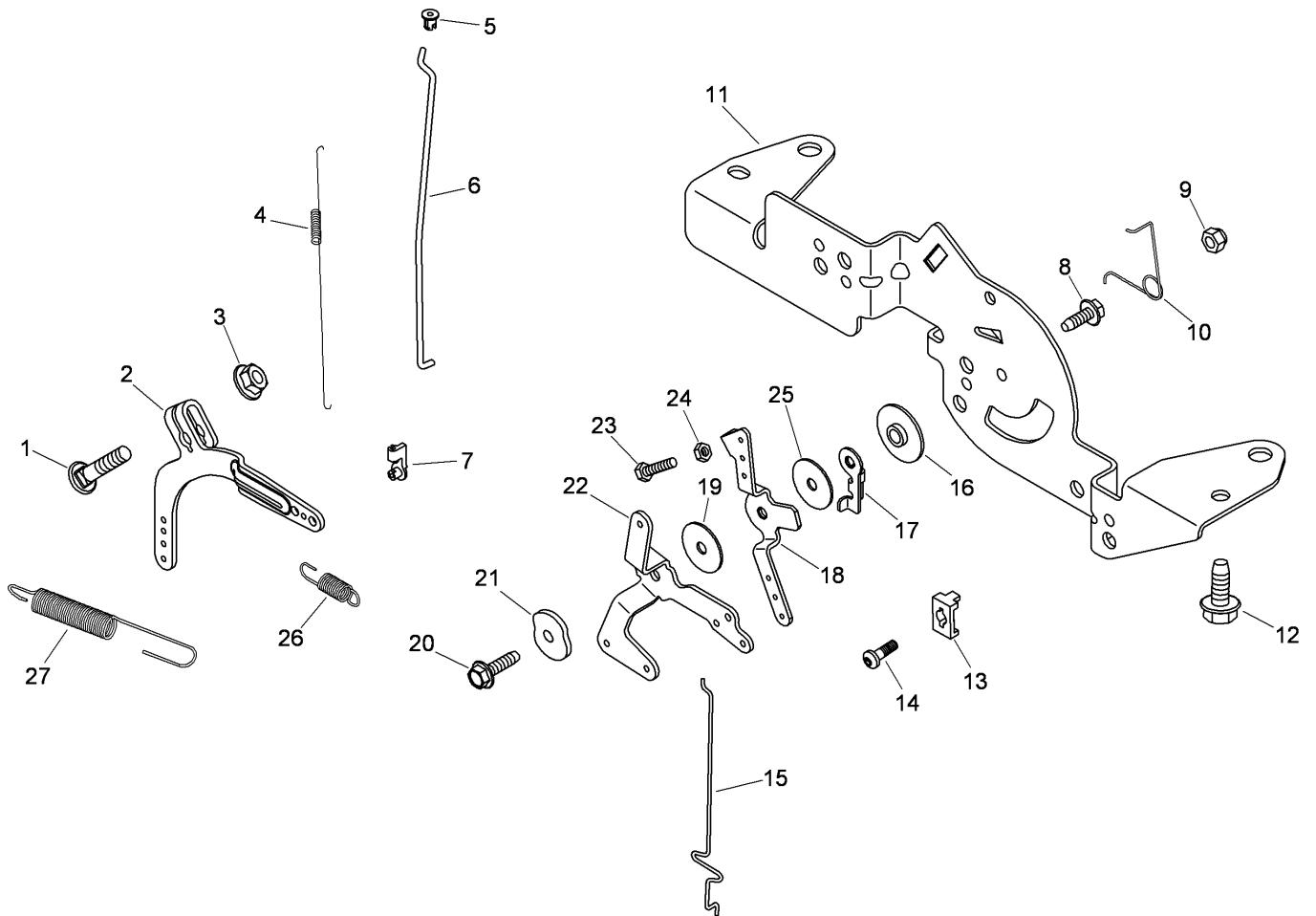
## Starter Assembly Kohler SV820-0012

Ref	Part No.	Qty.	Description				
1	M-839080-S	2	Screw-Flg (M8X1.25X80)				
2	32 098 01-S	1	Starter ASM (Includes 3-7)				
3	12 755 39-S	1	Drive Kit (Includes 4, 5)				
4	12 755 38-S	1	Drive Parts Kit (Includes 5)				
5	32 141 01-S	1	Ring-Retaining				
6	32 211 01-S	2	Bolt-Thru				
7	12 243 04-S	1	Commutator-Cap, End				



## Fuel System Assembly Kohler SV820-0012

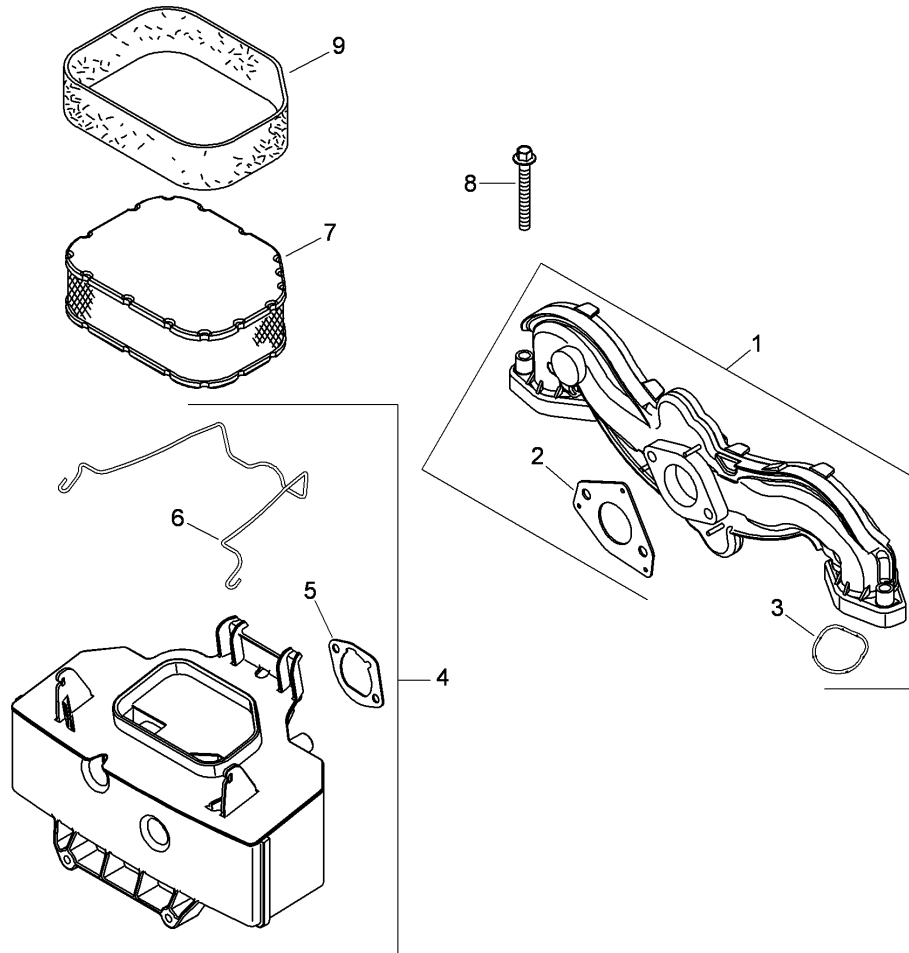
Ref	Part No.	Qty.	Description
❶	32 853 07-S	1	Carburetor Kit W/Gaskets (Includes 2, 3)
❷	24 041 52-S	1	Gasket-Carburetor
❸	24 041 14-S	1	Gasket-Base, Air Cleaner
❹	M-629105-S	2	Stud (M6X1.0X106)
❺	M-641060-S	2	Nut-Flange (M6X1.0)
❻	25 237 14-S	4	Clamp-Hose, Spring (1/2)
❼	25 111 34-S	2	Line-Fuel (24.0 Cut To Length)
❽	25 431 10-S	1	Sleeve-Abrasion, Anti
❾	32 326 02-S	1	Fuel Pump Hose Kit (W/Clamp) (Includes 10)
❿	25 237 01-S	1	Clamp-Hose
⓫	24 086 12-S	2	Screw-TAP (M6X1.7X18)
⓬	24 393 16-S	1	Pump-Fuel
⓭	24 050 13-S	1	Filter-Fuel
⓮	47 154 01-S	1	Clip-Cable

## Engine Control Assembly Kohler SV820-0012

Ref	Part No.	Qty.	Description
❶	24 211 03-S	1	Bolt-Sq Neck, Rd HD (M6X1.0X25)
❷	24 090 51-S	1	Lever-Governor
❸	M-641060-S	1	Nut-Flange (M6X1.0)
❹	24 089 01-S	1	Spring-Linkage
❺	25 158 08-S	1	Bushing-Retaining, Linkage
❻	24 079 04-S	1	Linkage-Throttle
❼	25 158 11-S	1	Bushing-Linkage, Throttle
❽	M-545016-S	1	Screw-Flange, Thread Forming (M5X0.8X16)
❾	M-547050-S	1	Nut-Lock (M5X.8)
❿	24 089 03-S	1	Spring-Return, Choke
⓫	24 126 161-S	1	Bracket-Control
⓬	M-645016-S	4	Screw-Flange, Thread Forming (M6X1.0X16)
⓭	12 237 01-S	2	Clamp-Cable
⓮	24 086 43-S	2	Screw-Lbd, Thd Frm (M5X0.8X16)
⓯	24 079 22-S	1	Linkage-Choke
⓰	24 112 27-S	1	Space-Control ASM
⓱	24 090 47-S	1	Lever-Actuator, Throttle
⓲	24 090 13-S	1	Lever-Control, Throttle
⓳	24 468 01-S	1	Washer-Flat (5.5Mm)
⓴	M-545020-S	1	Screw-Flange, Thread Forming (M5X.8X20)
⓵	41 468 03-S	1	Washer-Spring (1/4)

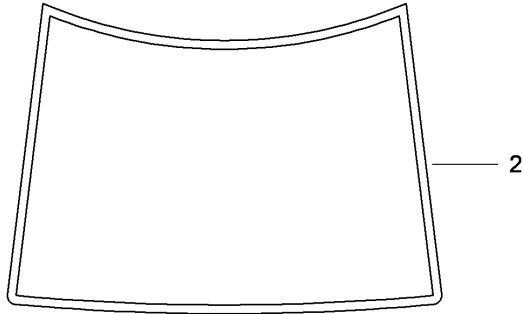
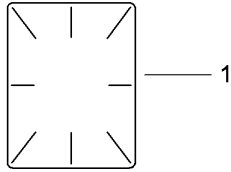
Ref	Part No.	Qty.	Description
⓶	24 090 05-S	1	Lever-Choke
⓷	M-403025-S	1	Screw-Slotted Head (M4X0.7X25)
⓸	M-446030-S	1	Nut (M4X0.7)
⓹	24 468 20-S	1	Washer-Flat (5Mm)
⓺	24 089 55-S	1	Spring-Governor
⓻	24 089 25-S	1	Spring-Governor



## Air Intake and Filtration Assembly Kohler SV820-0012

Ref	Part No.	Qty.	Description
❶	24 164 51-S	1	Manifold-Intake (Includes 2, 3)
❷	24 041 52-S	1	Gasket-Carburetor
❸	24 153 27-S	1	O-Ring (Intake Port)
❹	32 094 04-S	1	Air Cleaner Base Kit (Includes 5, 6)
❺	24 041 14-S	1	Gasket-Base, Air Cleaner
❻	32 344 03-S	1	Latch-Element, Air Cleaner
❼	32 083 06-S	1	Element-Filter, Air
❽	M-651040-S	4	Screw-Flange (M6X1.0X40)
❾	32 083 08-S	1	Element-Cleaner, Pre

--	--	--	--



Artwork is representative  
Actual labels may differ depending on model and specification number

## Decals and Overhaul Gaskets Kohler SV820-0012

Ref	Part No.	Qty.	Description
①	25 113 39-S	1	Decal-Laminate, Clear
②	32 113 36-S	1	Decal, 23 Hp
①②	32 755 01-S	1	Overhaul Gasket Kit

# Attachments and Accessories

## For 74816 - Titan Z4800 Zero-Turn-Radius Riding Mower

Product Name	Model/Part
Hitch Kit .....	109-6245
48 Inch Bagging Blade Kit .....	79141
48 Inch Mulching Kit .....	79154
48 Inch and 52 Inch Bagger .....	79155
Z Sunshade .....	79157
Z Light Kit .....	79158

# NOTES

