



## GT2200 Garden Tractor

Model No. 14AQ81RP048 - 1 and up.

### Parts Catalog

---

#### **Ordering Replacement Parts**

To order replacement parts, please supply the part number, the quantity, and the description of each part desired.

#### **Understanding Reference Numbers**

Each identified part in an illustration has a reference number. The reference number for a part also appears in the parts list, along with other information about the part.

This catalog uses two special reference number formats, one to indicate parts in a service assembly and another to indicate the quantity of a given part in an illustration.

#### **Service Assembly Reference Numbers**

Parts in service assemblies have reference numbers in the form a:b. The a represents the reference number of the entire service assembly and the b represents a sequential number unique to each part within the service assembly.

For example, a wheel assembly might be identified by reference number 6, the tire by 6:1, the valve by 6:2, and the wheel by 6:3. When you order the assembly identified by reference number 6, you receive all parts identified by reference numbers 6:1, 6:2, and 6:3. However, you may also order any part individually. Reference numbers of this type appear in illustrations and in part lists.

#### **Reference Numbers Indicating Quantity**

In an illustration, if a reference number indicates more than one part, the reference number has the form nX y. The n represents the quantity of the part, the X is the multiplication symbol, and the y represents the reference number.

For example, in an illustration, the reference number 2X 37 means that two of the parts identified by reference number 37 are indicated.

# Contents

Description	Page	Description	Page
Front and Rear Wheel Assembly	3	Head, Valve and Breather Assembly Kohler SV730-0018	24
Steering and Front Axle Assembly	4	Ignition and Electrical Assembly Kohler SV730-0018	25
Frame, Battery and Electric PTO Assembly	6	Blower Housing and Baffle Assembly Kohler SV730-0018	26
Seat, Fender and Deck Lift Assembly	8	Starting System Assembly Kohler SV730-0018	27
Fuel Tank, Hood and Dash Assembly	10	Fuel System Assembly Kohler SV730-0018	28
Drive System Assembly	12	Engine Control Assembly Kohler SV730-0018	29
Transmisson Assembly No. 112-0914	14	Air Intake and Filtration Assembly Kohler SV730-0018	30
Transmisson Assembly No. 112-0914 (Continued)	16	Exhaust Stud, Gasket and Decal Assembly Kohler SV730-0018	31
50 Inch Deck Assembly	18	Attachments and Accessories List	32
Engine and Muffler Assembly	20		
Crankshaft Assembly Kohler SV730-0018	21		
Crankcase Assembly Kohler SV730-0018	22		
Oil Pan and Lubrication Assembly Kohler SV730-0018	23		

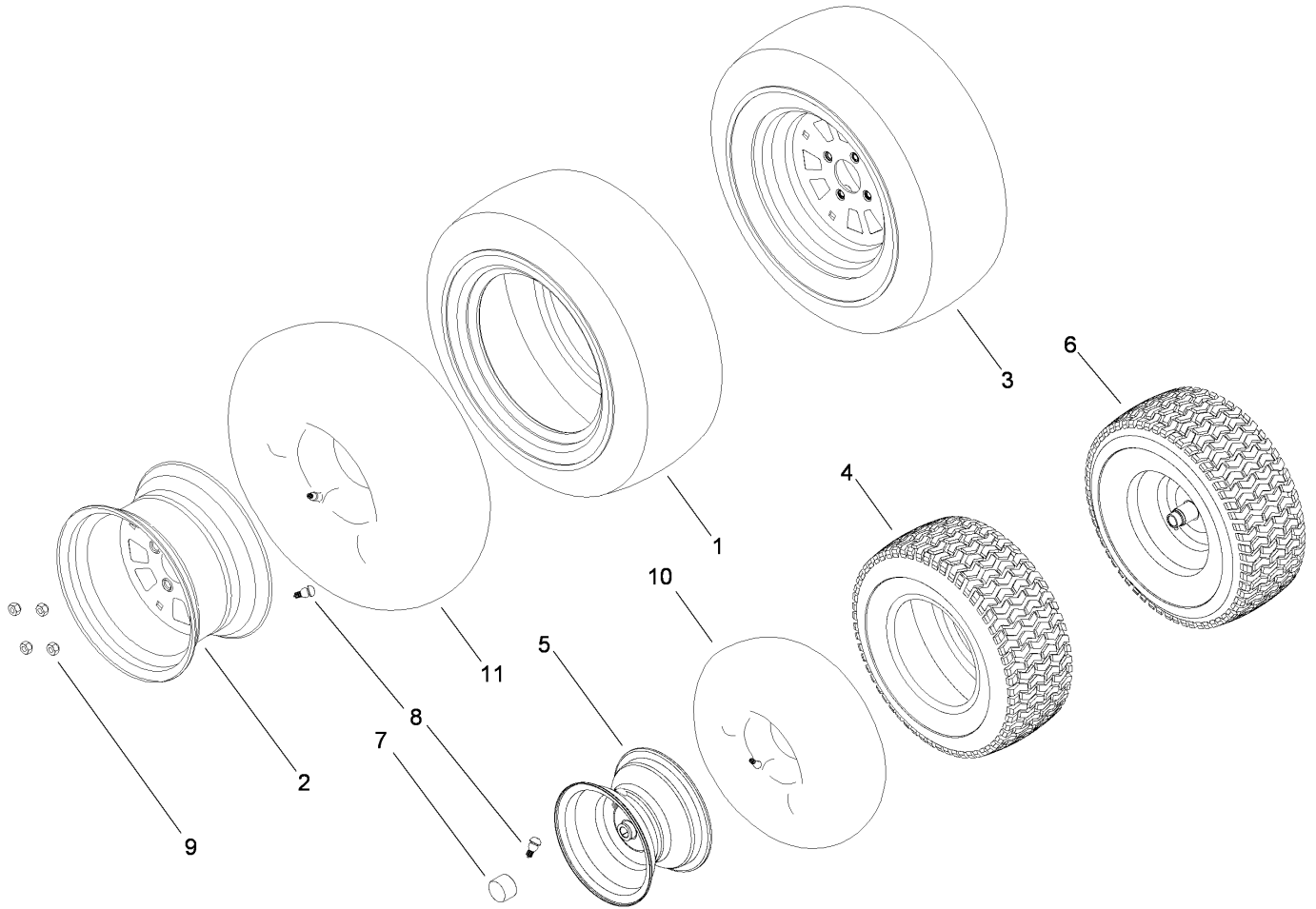
## Part Description Abbreviations

Part descriptions in this catalog may include the following abbreviations.

AR. . . . . as required	HYD. . . . . hydraulic
ASM. . . . . assembly	LH. . . . . left hand
BBC. . . . . blade brake clutch	NI. . . . . nylon insert
CARR. . . . . carriage	NPTF. . . . . national pipe thread fine
DEG. . . . . degrees	PFH. . . . . phillips flat head
EXT. . . . . external	PPH. . . . . phillips pan head
FH. . . . . flat head	PPHTF. . . . . phillips pan head thread forming
GA. . . . . gauge	PRH. . . . . phillips round head
HD. . . . . heavy-duty	PTH. . . . . phillips truss head
HF. . . . . hex flange	PTO. . . . . power-take-off
HH. . . . . hex head	RH. . . . . right hand
HHF. . . . . hex head flange	ROPS. . . . . roll-over protection system
HHFTF. . . . . hex head flange thread forming	SFH. . . . . slotted fillister head
HJ. . . . . hex jam	SHH. . . . . slotted hex head
HLH. . . . . hex lag head	SHWH. . . . . slotted hex washer head
HOC. . . . . height-of-cut	SPH. . . . . slotted pan head
HSBH. . . . . hex socket button head	SQH. . . . . square head
HSFH. . . . . hex socket flat head	SRH. . . . . slotted round head
HSH. . . . . hex socket head	STD. . . . . standard
HWH. . . . . hex washer head	TAP. . . . . self tapping
HWHTF. . . . . hex washer head thread forming	TTH. . . . . torx truss head

## Footnotes

- |  |                                      |
|--|--------------------------------------|
| ❶ Not illustrated                      | ❷ Not serviced separately            |
| ❸ Obtain from your local Kohler dealer | ❹ Obtain from your local Toro dealer |
| ❺ For Service with Keihin Carburetors  | ❻ For Service of Nikki Carburetors   |

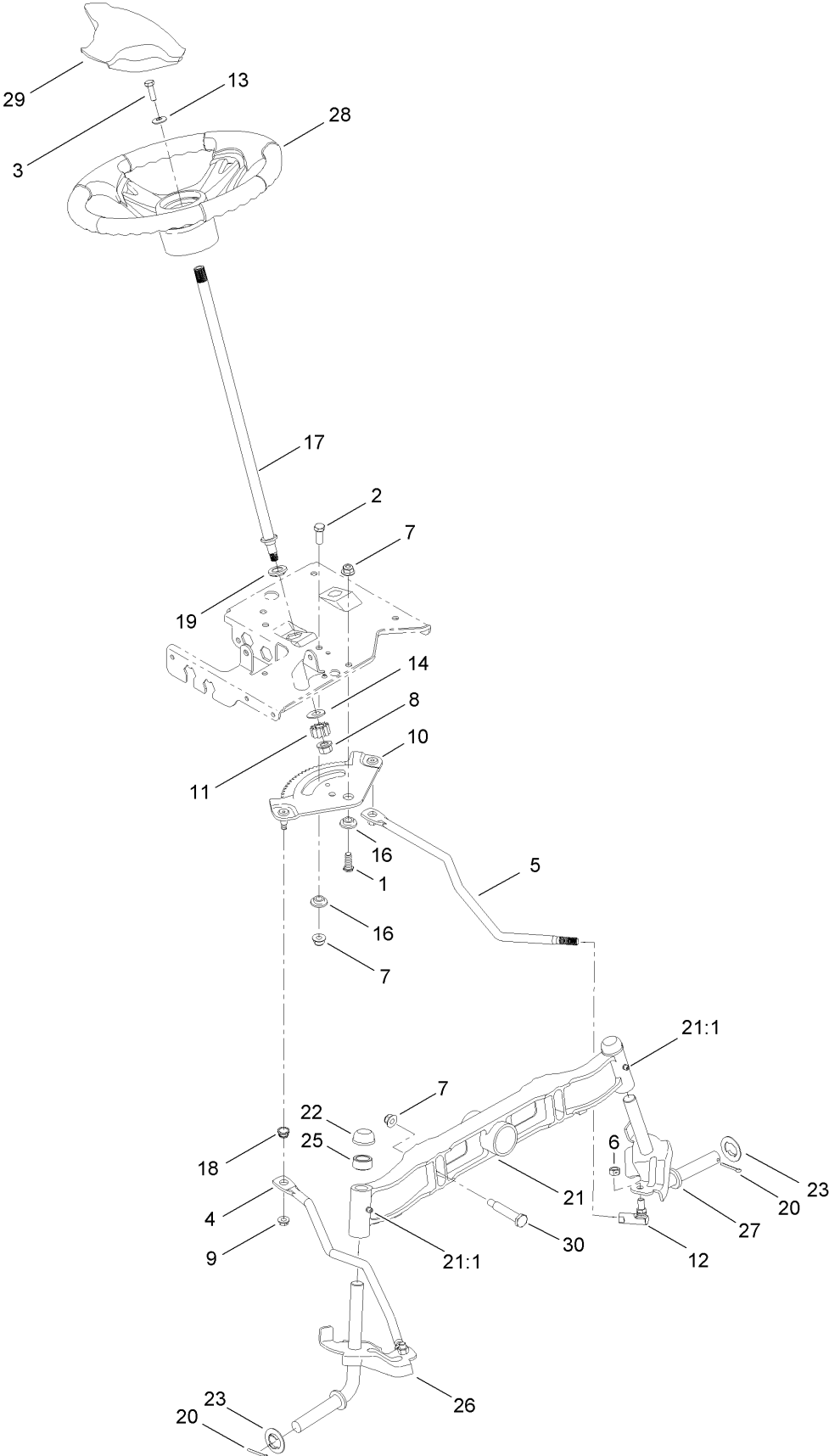


### Front and Rear Wheel Assembly

Ref	Part No.	Qty.	Description
1	112-0876	1	Tire-Turf
2	112-0849	1	Rim ASM
3	112-0847	1	Wheel ASM
4	112-0877	1	Tire-Turf
5	112-0919	1	Rim ASM
6	112-0848	1	Wheel ASM
7	112-5968	1	Cap-Hub
8	112-0503	1	Valve-Air, Tubeless
9	112-0911	1	Nut-Lug
10	112819	1	Tube-Inner
11	231-90	1	Tube

--	--	--	--

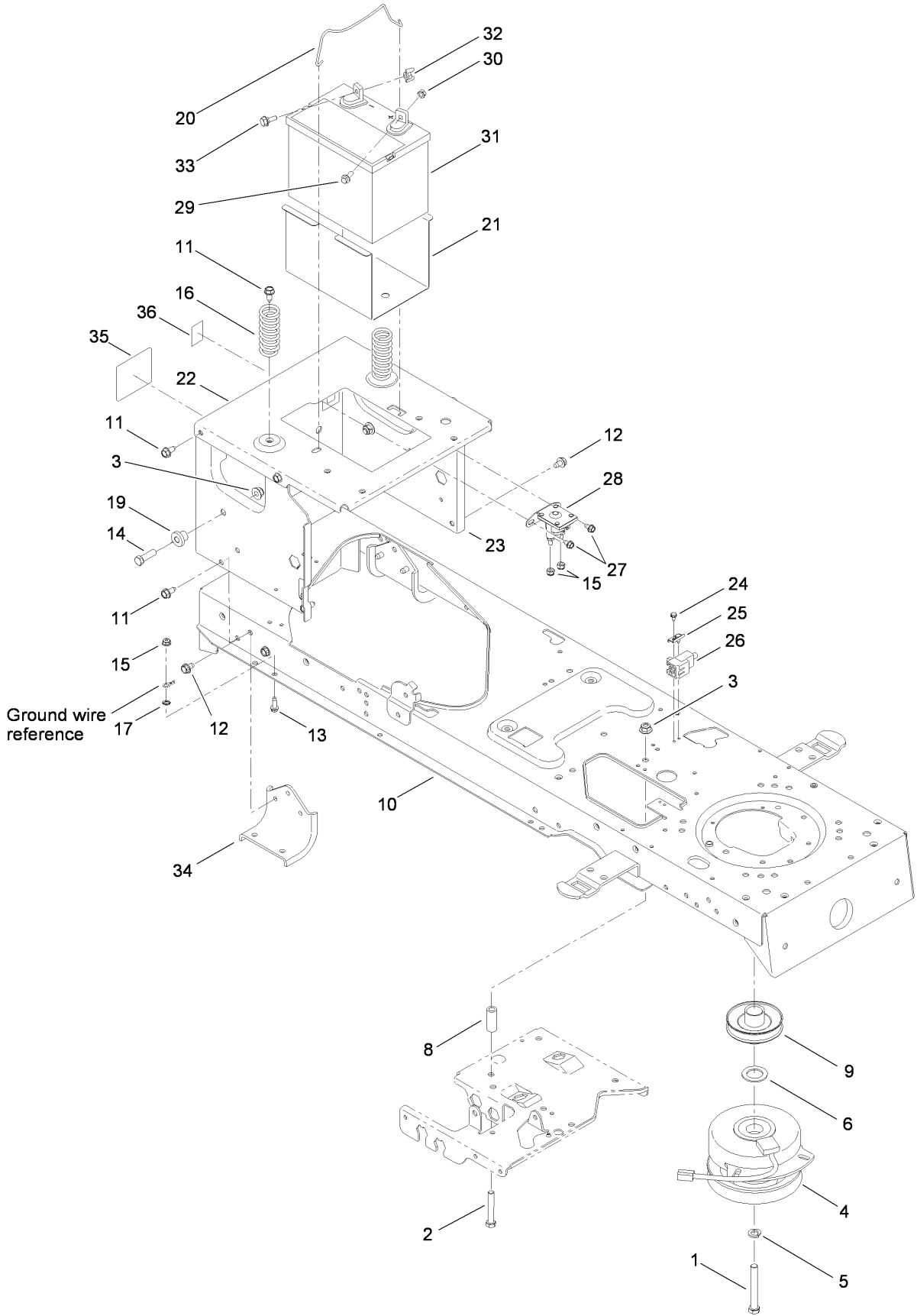
# Steering and Front Axle Assembly



# Steering and Front Axle Assembly

Ref	Part No.	Qty.	Description				
1	112-0631	1	Screw-HH				
2	112-0492	1	Screw-HH				
3	112-0473	1	Screw-HH				
4	112-0355	1	Link-Drag, RH				
5	112-0346	1	Link-Drag, LH				
6	112-0483	1	Nut-Hex, Lock				
7	112-0668	1	Nut-Lock, Flange				
8	112-0859	1	Nut-Lock, Flange				
9	112-0511	1	Nut-Lock, Flange				
10	112-0862	1	Gear-Steering				
11	112-0863	1	Gear-Pinion, Steering				
12	112-0917	1	Ball Joint ASM				
13	112-0924	1	Washer-Flat				
14	112-0925	1	Washer-Flat				
16	112-0881	1	Spacer-Shoulder				
17	112-6097	1	Shaft-Steering				
18	112-0929	1	Bushing				
19	112-6098	1	Bearing-Flange, Hex				
20	112-0860	1	Pin-Cotter				
21	112-6099	1	Pivot-Axle, Cast Iron				
21:1	112-0926	1	Fitting-Grease				
22	112-0323	1	Cap				
23	112-5972	1	Washer-Flat				
25	112-6136	1	Spacer				
26	112-6015	1	RH Axle ASM				
27	112-6016	1	LH Axle ASM				
28	112-0438	1	Wheel-Steering, Softgrip				
29	112-0341	1	Cover-Wheel, Steering				
30	112-0699	1	Bolt-Shoulder				

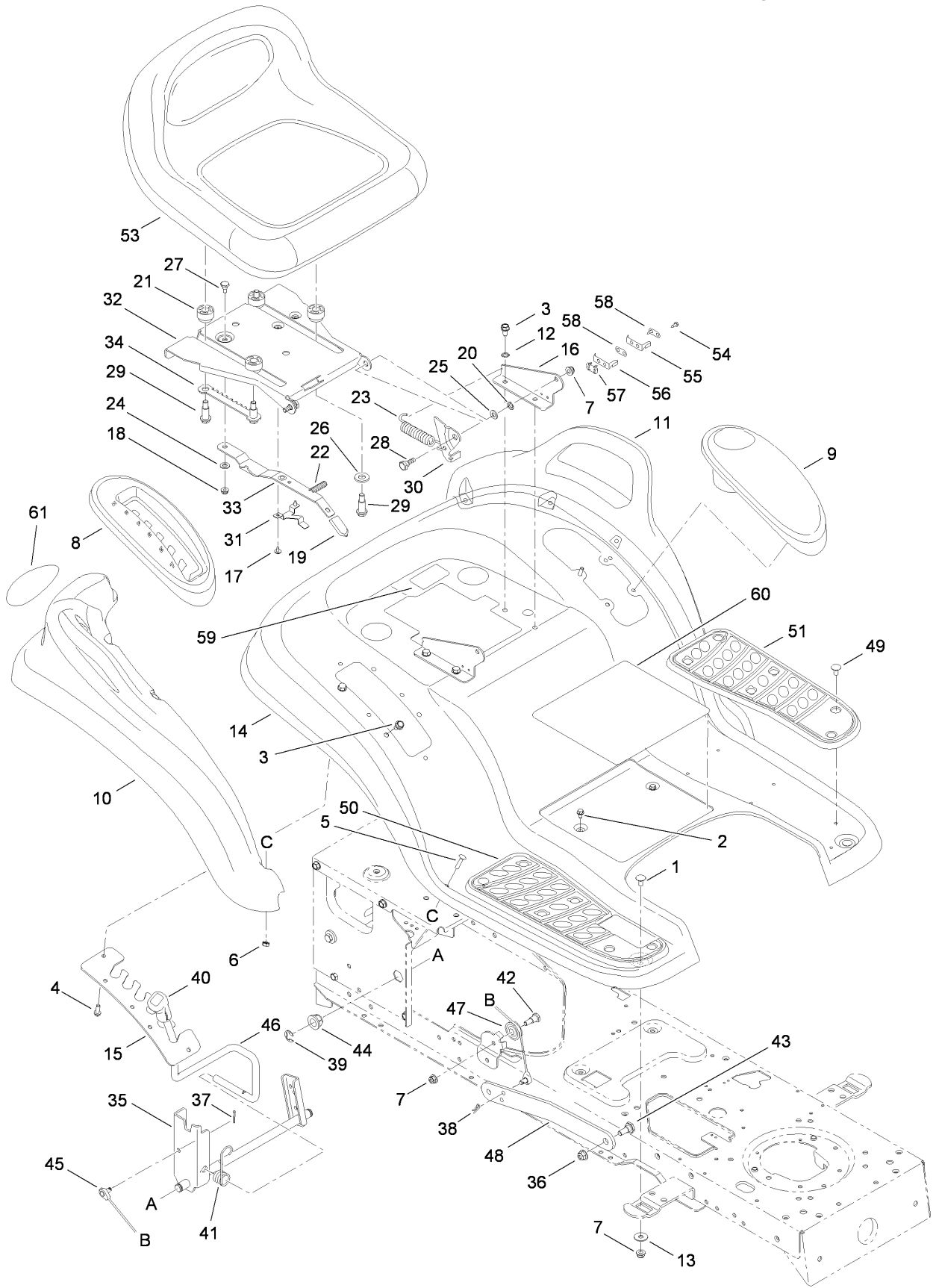
# Frame, Battery and Electric PTO Assembly



# Frame, Battery and Electric PTO Assembly

Ref	Part No.	Qty.	Description				
1	112-0561	1	Screw-HH				
2	112-6009	1	Screw-HH				
3	112-0668	1	Nut-Lock, Flange				
4	112-6044	1	Clutch-Electric				
5	112-0428	1	Washer-Lock				
6	112-0420	1	Washer-Flat				
8	112-0433	1	Spacer				
9	112-6045	1	Pulley-Engine				
10	112-5974	1	Lower Frame ASM				
11	112-6070	1	Screw-TAP				
12	112-0676	1	Screw-TAP				
13	112-0587	1	Screw-TAP				
14	112-0557	1	Screw-HH				
15	112-0636	1	Nut-Lock, Flange				
16	112-0501	1	Spring-Compression				
17	112-0703	1	Washer-Lock, External				
19	112-0661	1	Spacer-Shoulder				
20	112-0581	1	Rod-Holddown, Battery				
21	112-0570	1	Tray-Battery				
22	112-0647	1	Bracket-Frame, Seat				
23	112-6107	1	Frame-Upper				
24	112-0651	1	Screw-TAP				
25	112-0671	1	Plate-Switch				
26	112-0455	1	Switch-Interlock				
27	112-0524	1	Screw-HWHTF				
28	112-6073	1	Solenoid-12V, 2 Post 2 Tab				
29	112-1070	1	Bolt-Carriage				
30	112-0546	1	Nut-Sems				
31	112-0425	1	Battery-245, Cca (Dry Flat Top)				
32	112-1121	1	Nut-Wing				
33	112-6182	1	Bolt-Shoulder				
34	112-0710	1	Bracket-Axle				
35	112-1284	1	Decal				
36	112-1275	1	Decal-Bypass				

# Seat, Fender and Deck Lift Assembly

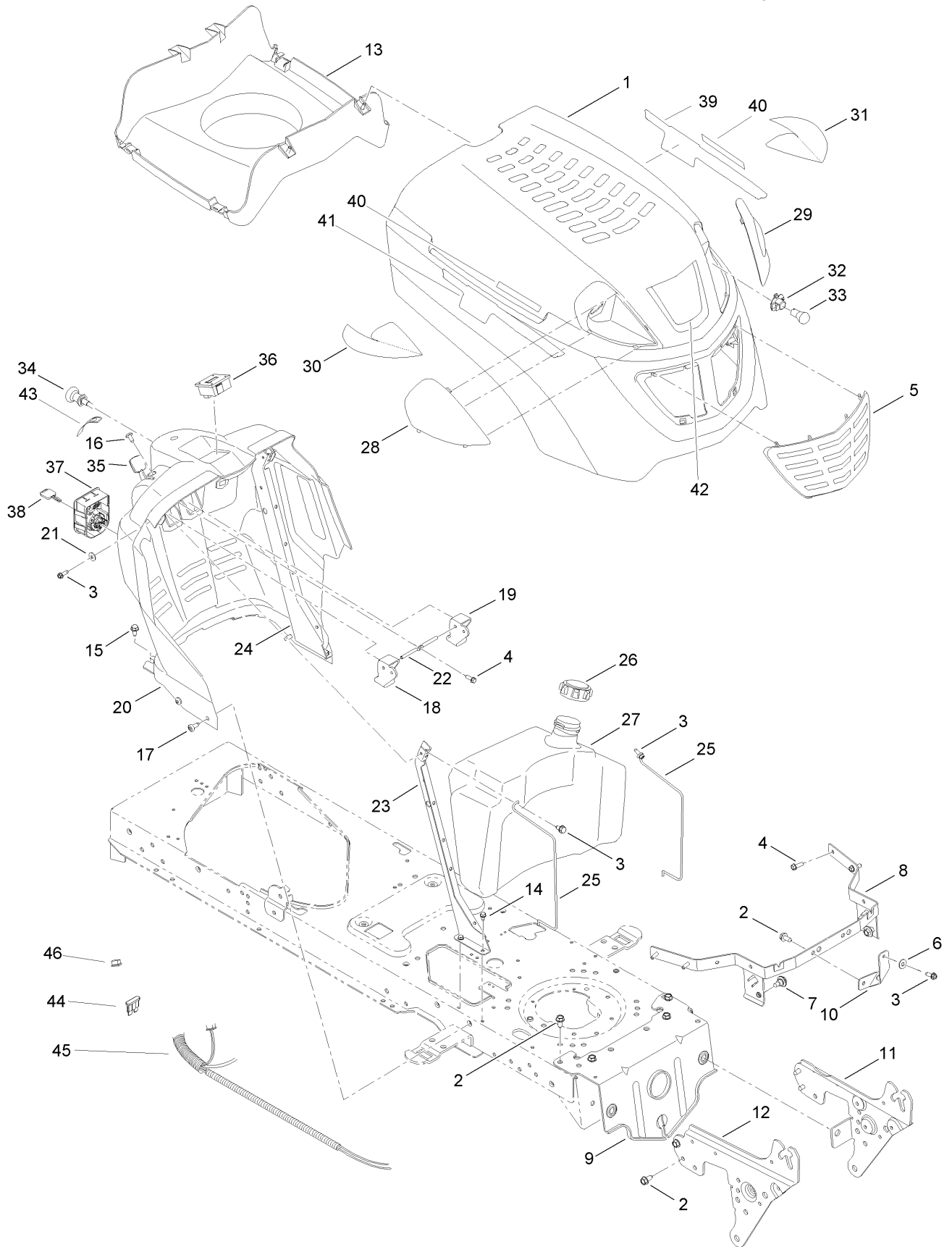


## Seat, Fender and Deck Lift Assembly

Ref	Part No.	Qty.	Description
1	112-0426	1	Bolt-CARR
2	112-0524	1	Screw-HWHTF
3	112-6070	1	Screw-TAP
4	112-0509	1	Screw-TAP
5	112-0907	1	Screw-CARR
6	112-0546	1	Nut-Sems
7	112-0650	1	Nut-Lock, Flange
8	112-0869	1	Cover-Lever, Lift
9	112-0870	1	Cover (W/Cup Holder)
10	112-0871	1	Flare-Fender, RH
11	112-0872	1	Flare-Fender, LH
12	112-0517	1	Washer-Lock, External
13	112-0582	1	Washer-Flat
14	112-0894	1	Fender
15	112-0629	1	Bracket-Adjusting, Lift
16	112-6046	1	Bracket-Mount, Seat
17	112-0857	1	Screw-HH, TAP
18	112-0636	1	Nut-Lock, Flange
19	112-0864	1	Grip-Adjuster, Seat
20	112-0645	1	Nut-Push
21	112-0868	1	Spacer-Adjust, Seat
22	112-0874	1	Spring-Compression
23	112-0616	1	Spring-Extension
24	112-6051	1	Washer-Bell
25	112-0435	1	Washer-Bell
26	112-0878	1	Washer-Flat
27	112-0927	1	Bolt-Shoulder
28	112-0575	1	Bolt-Shoulder
29	112-0882	1	Bolt-Shoulder
30	112-0646	1	Bracket-Lift, LH
31	112-5850	1	Stop-Adjust, Seat
32	112-6050	1	Bracket-Pivot, Seat
33	112-0898	1	Lever-Adjust, Seat
34	112-0900	1	Selector-Adjust, Seat
35	112-6183	1	ASM Lift Shaft
36	112-0668	1	Nut-Lock, Flange
37	112-0459	1	Pin-Cotter
38	112-0568	1	Pin-Cotter
39	112-0586	1	Ring-E
40	112-0585	1	Grip-Handle
41	112-0477	1	Spring-Torsion
42	112-0443	1	Bolt-Shoulder
43	112-0442	1	Bolt-Shoulder
44	112-0347	1	Bearing-Flange
45	112-0374	1	Cable-Lift
46	112-5970	1	Handle-Lift
47	112-0502	1	Pulley-Roller
48	112-6165	1	Arm-Lift
49	112-0549	1	Clip-Ratchet, Fastener
50	112-0540	1	Pad-Foot, RH
51	112-0545	1	Pad-Foot, LH
53	112-6018	1	Seat-Medium Back

Ref	Part No.	Qty.	Description
54	112-0626	1	Screw-HWHTF
55	112-0529	1	Switch-Spring
56	112-0532	1	Switch-Spring, Inner
57	112-0637	1	Plate-Boss, Insulator
58	112-0635	1	Plate-Insulator
59	112-6158	1	Decal-Service
60	112-6161	1	Decal-Instructions, Operator
61	112-5873	1	Reflector

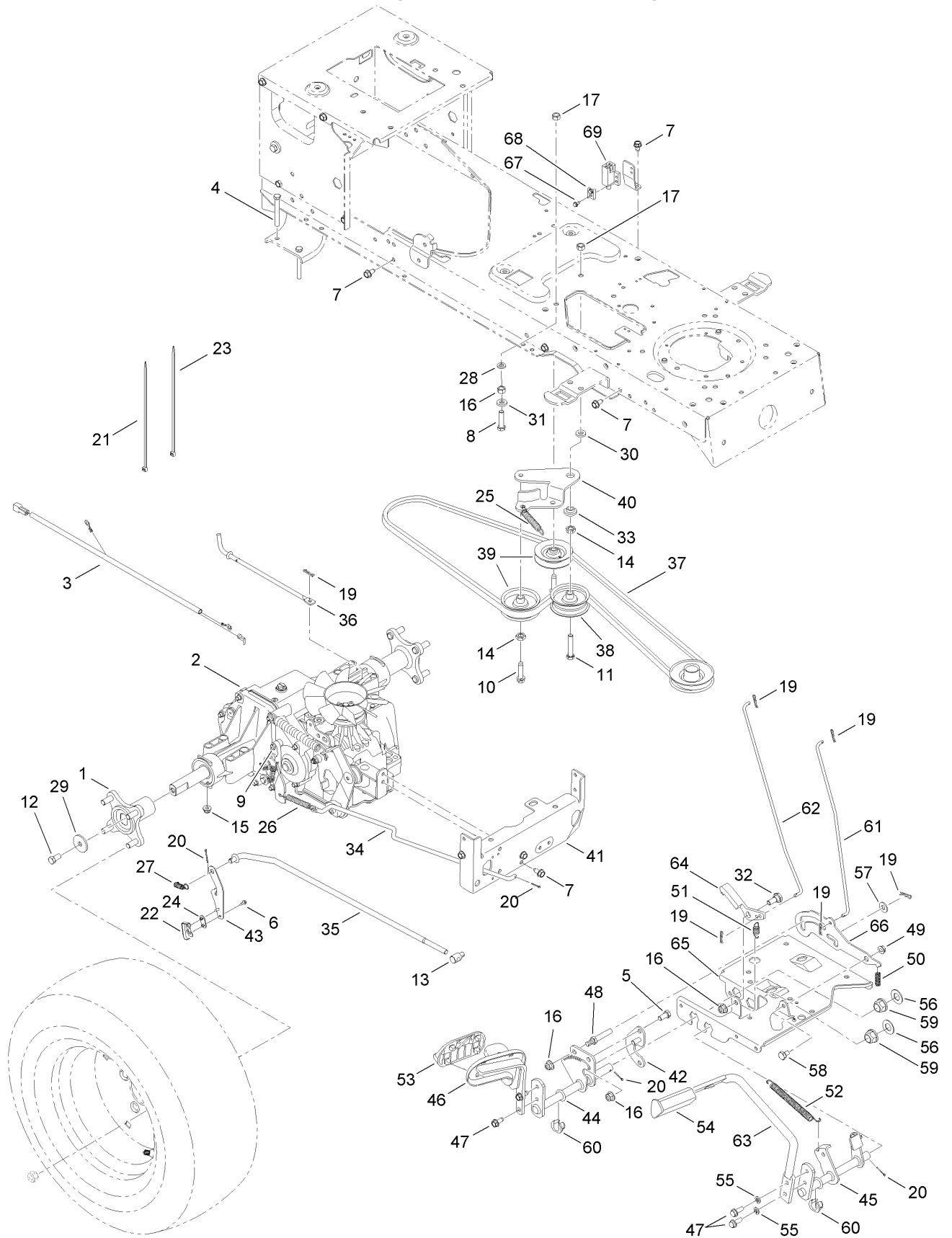
# Fuel Tank, Hood and Dash Assembly



# Fuel Tank, Hood and Dash Assembly

Ref	Part No.	Qty.	Description				
1	112-0444	1	Hood				
2	112-6070	1	Screw-TAP				
3	112-0587	1	Screw-TAP				
4	112-0509	1	Screw-TAP				
5	112-0381	1	Grill				
6	112-5989	1	Washer-Flat				
7	112-6128	1	Bolt-Shoulder, TAP				
8	112-5985	1	Bracket-Pivot				
9	112-6127	1	Bracket-Pivot				
10	112-5986	1	Bracket-Support, Hood				
11	112-6126	1	Bracket-Pivot, Support (LH)				
12	112-6125	1	Bracket-Pivot, Support (RH)				
13	112-6141	1	Plenium Hood				
14	112-0524	1	Screw-HWHTF				
15	112-0676	1	Screw-TAP				
16	112-0550	1	Screw-TAP				
17	112-0563	1	Screw-TAP				
18	112-0526	1	Lever-Cruise				
19	112-0580	1	Lever-Brake				
20	112-0536	1	Dash-PTO, Electric				
21	112-0485	1	Washer-Spring				
22	112-0604	1	Rod-Lever, Bent				
23	112-6122	1	Support-Dash, RH				
24	112-6121	1	Support-Dash, LH				
25	112-0678	1	Rod-Support				
26	112-6120	1	Cap-Fuel				
27	112-6119	1	Tank-Fuel, 3 Gal				
28	112-0447	1	Lens-RH				
29	112-0446	1	Lens-LH				
30	112-5810	1	Reflector-RH				
31	112-5811	1	Reflector-LH				
32	112-0408	1	Socket-Headlight				
33	112-0402	1	Lamp-12V, Miniature				
34	112-0310	1	Cable Control ASM (W/Choke Knob)				
35	112-6166	1	Cable-Throttle				
36	112-6117	1	Meter-Hour				
37	112-6116	1	Module-Switch, Ignition				
38	112-6115	1	Key-Ignition				
39	112-5965	1	Decal-Side Panel, Left				
40	112-5967	1	Decal-Side Panel				
41	112-5966	1	Decal-Side Panel, Right				
42	112-3716	1	Decal-Hood				
43	112-1272	1	Decal-Throttle, Dash				
44	112-5943	1	Fuse-20 Amp				
45	112-6188	1	Wire-Harness				
46	112-5921	1	Relay				

# Drive System Assembly

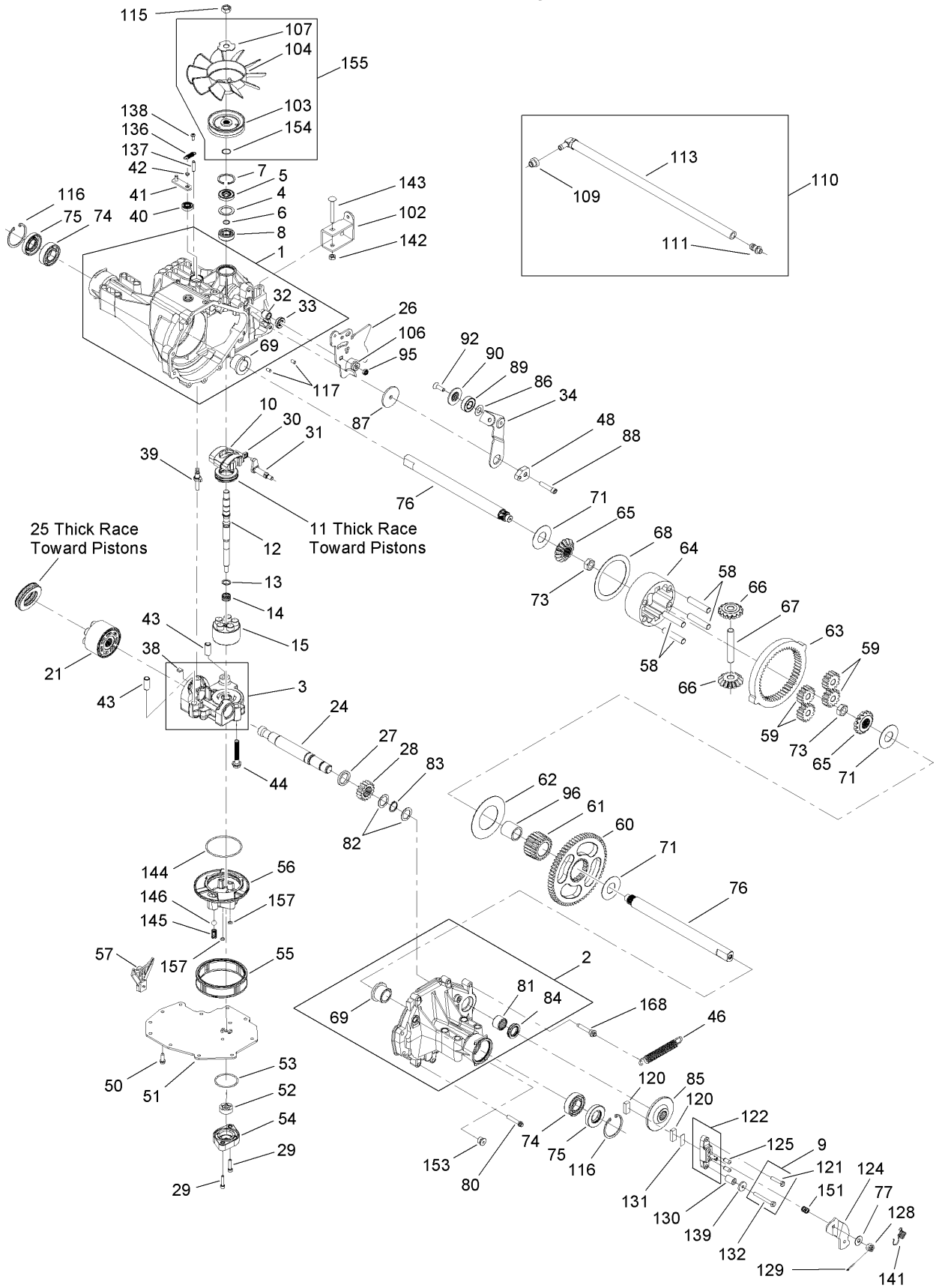


# Drive System Assembly

Ref	Part No.	Qty.	Description
1	112-0738	1	Wheel Hub ASM
2	112-0914	1	Transmission ASM
3	112-6020	1	Harness ASM
4	112-0714	1	Screw-Hex
5	112-0855	1	Screw-HH
6	112-0626	1	Screw-HWHTF
7	112-6070	1	Screw-TAP
8	112-0578	1	Screw-HH
9	112-0524	1	Screw-HWHTF
10	112-0469	1	Screw-TAP
11	112-6009	1	Screw-HH
12	112-0768	1	Screw-HH
13	112-0908	1	Ferrule
14	112-0493	1	Nut-Jam
15	112-0650	1	Nut-Lock, Flange
16	112-0668	1	Nut-Lock, Flange
17	112-0385	1	Nut-Lock, Flange
19	112-0459	1	Pin-Cotter
20	112-0568	1	Pin-Cotter
21	112-0527	1	Tie-Cable
22	112-0602	1	Switch-Spring, Short
23	112-0866	1	Tie-Cable
24	112-0625	1	Plate-Insulator
25	112-0873	1	Spring-Extension
26	112-0350	1	Spring-Extension
27	112-0875	1	Spring-Extension
28	112-0415	1	Washer-Lock
29	112-0534	1	Washer-Flat
30	112-0920	1	Washer-Flat
31	112-0572	1	Washer-Flat
32	112-0442	1	Bolt-Shoulder
33	112-0345	1	Spacer-Shoulder
34	112-0887	1	Rod-Brake
35	112-0888	1	Rod-Control
36	112-0889	1	Rod-Disengage
37	112-0317	1	Belt
38	112-0313	1	Pulley-Idler, Flat
39	112-6149	1	Pulley-Idler, Y Type
40	112-0525	1	Bracket-Idler, Center Double
41	112-0711	1	Bracket-Transmission
42	112-0899	1	Bracket-Control
43	112-0901	1	Bracket-Actuator
44	112-0850	1	Control ASM
45	112-5998	1	Speed Control ASM
46	112-0851	1	Control Pedal ASM
47	112-0395	1	Screw-HWH
48	112-0599	1	Pin
49	112-0511	1	Nut-Lock, Flange
50	112-0506	1	Spring
51	112-0510	1	Spring-Extension
52	112-0348	1	Spring-Extension
53	112-0543	1	Pad-Pedal

Ref	Part No.	Qty.	Description
54	112-6001	1	Pad-Brake
55	112-0366	1	Washer-Lock
56	112-0339	1	Washer-Flat
57	112-0541	1	Washer-Flat
58	112-0542	1	Bolt-Shoulder
59	112-0347	1	Bearing-Flange
60	112-0387	1	Bearing-Flange, Hex (Split)
61	112-6150	1	Rod-Brake, Lock
62	112-0662	1	Rod-Control, Cruise
63	112-6005	1	Pedal-Brake
64	112-6004	1	Latch-Cruise
65	112-0681	1	Bracket-Support, Steering
66	112-5812	1	Bracket-Lockout
67	112-0651	1	Screw-TAP
68	112-0671	1	Plate-Switch
69	112-0455	1	Switch-Interlock

# Transmission Assembly No. 112-0914

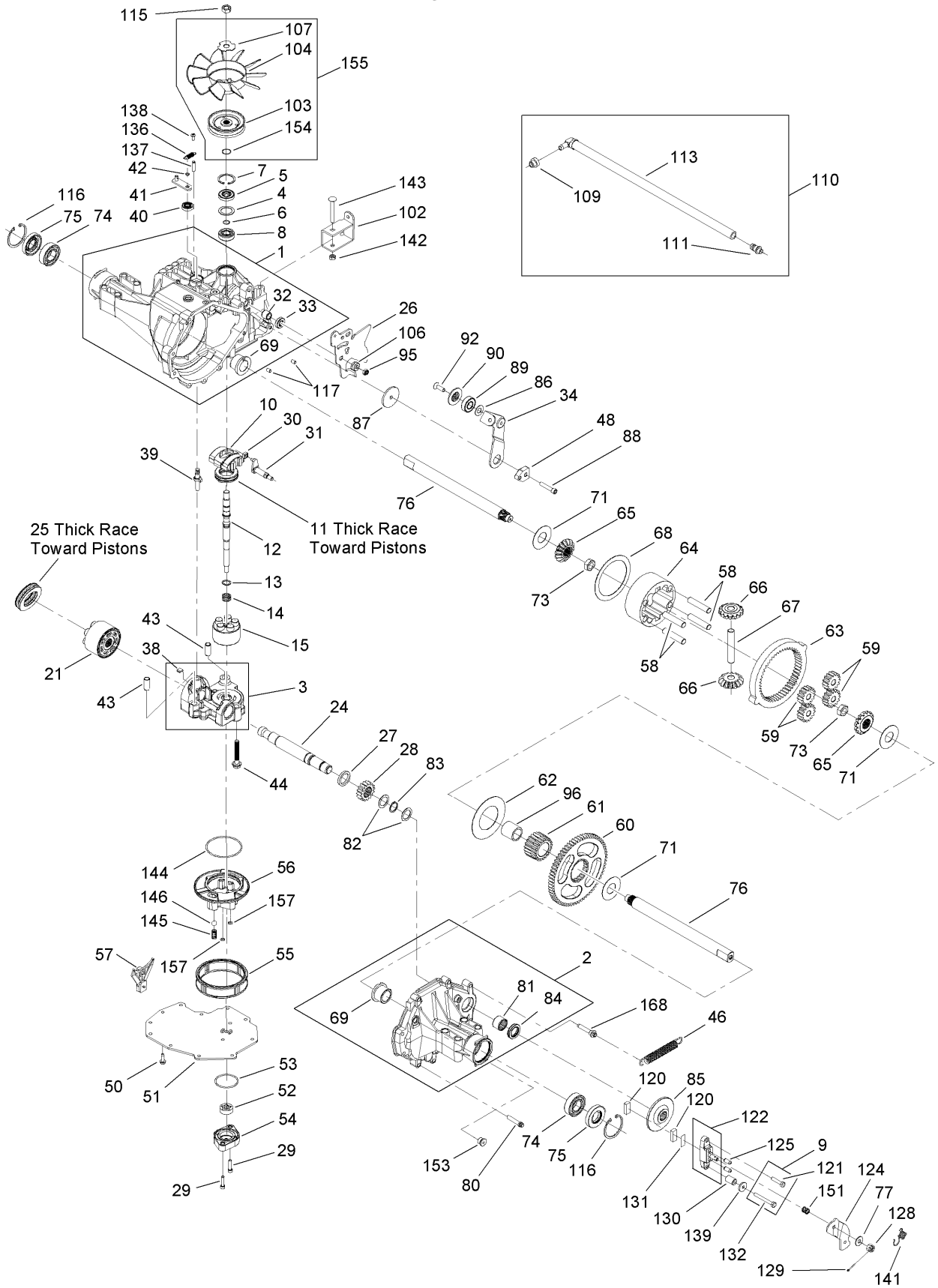


# Transmisson Assembly No. 112-0914

Ref	Part No.	Qty.	Description
1	104-2101	1	Main Housing ASM
2	112-5887	1	Right Hand Housing ASM
3	112-5889	1	Center Section ASM
4	104-2104	1	Spacer
5	92-6543	1	Seal-Lip
6	94-1902	1	Ring-Wire, Retaining
7	94-1903	1	Ring-Retaining
8	94-1904	1	Bearing-Shaft, Ball
9	112-5888	1	Brake Bolt Kit
10	94-1907	1	Swashplate-Variable
11	94-6922	1	Bearing-Thrust
12	104-2105	1	Shaft-Input
13	94-1937	1	Washer-Thrust, Block
14	94-1936	1	Spring-Block
15	103-2666	1	Cylinder Block Kit
21	94-1913	1	Cylinder Block ASM
24	104-2107	1	Shaft-Output
25	94-6923	1	Bearing-Thrust
26	112-5890	1	Arm-Control
27	104-2109	1	Spacer
28	104-2110	1	Gear-Pinion, 16T
29	104-2111	2	Capscrew
30	94-1910	1	Guide-Slot
31	104-2112	1	Trunnion ASM
32	104-2113	1	Bushing-Trunnion
33	92-6544	1	Seal-Lip
34	112-5891	1	Arm-Return
38	112-5892	1	Bypass Plate Kit
39	94-1914	1	Actuator-Bypass
40	92-6545	1	Seal-Lip
41	104-2117	1	Arm-Bypass
42	936109	1	Ring-Retaining
43	94-1927	2	Pin
44	94-6926	3	Bolt
46	112-5893	1	Spring-Return, 5 Inch (Medium)
48	104-2119	1	Puck-Adjusting
50	104-2120	11	Screw
51	104-2121	1	Cover-Lower
52	104-2122	1	Gerotor ASM
53	104-2123	1	O-Ring
54	104-2124	1	Cover-Gerotor
55	112-5894	1	Filter Kit
56	112-5895	1	Manifold-Charge
57	104-2127	1	Retainer-Bearing, Motor
58	104-2128	4	Pin-Carrier
59	104-2129	4	Gear-Planet, 15T
60	104-2130	1	Gear-Spur, 67T
61	104-2131	1	Gear-Sun, 21T
62	104-2132	1	Plate-Thrust, Planet
63	104-2133	1	Gear-Ring, 51T
64	104-2134	1	Carrier-Planetary
65	104-2135	2	Gear-Miter

Ref	Part No.	Qty.	Description
66	104-2136	2	Gear-Miter
67	104-2137	1	Shaft
68	104-2138	1	Plate-Thrust
69	104-2139	2	Bearing-Flange
71	104-2141	3	Washer
73	104-2142	2	Nut-HJ
74	104-2143	2	Bearing-Ball
75	104-2144	2	Seal
76	112-5896	2	Shaft-Axle
77	5-4460	1	Washer-Pivot
79	104-2147	10	Sealant
80	104-2148	8	Screw-TTH
81	104-2149	1	Bearing-Needle
82	104-2150	2	Washer
83	104-2151	1	Ring-Retaining
84	104-2152	1	Seal-Lip
85	104-2153	1	Disk-Brake
86	94-1933	1	Washer
87	104-2154	1	Washer
88	104-2155	1	Screw
89	104-2156	1	Bearing
90	104-2157	1	Spacer-Locating
92	104-2158	1	Screw-Countersunk
95	104-2159	1	Nut-Hex, Lock
96	104-2160	1	Bearing-Sleeve

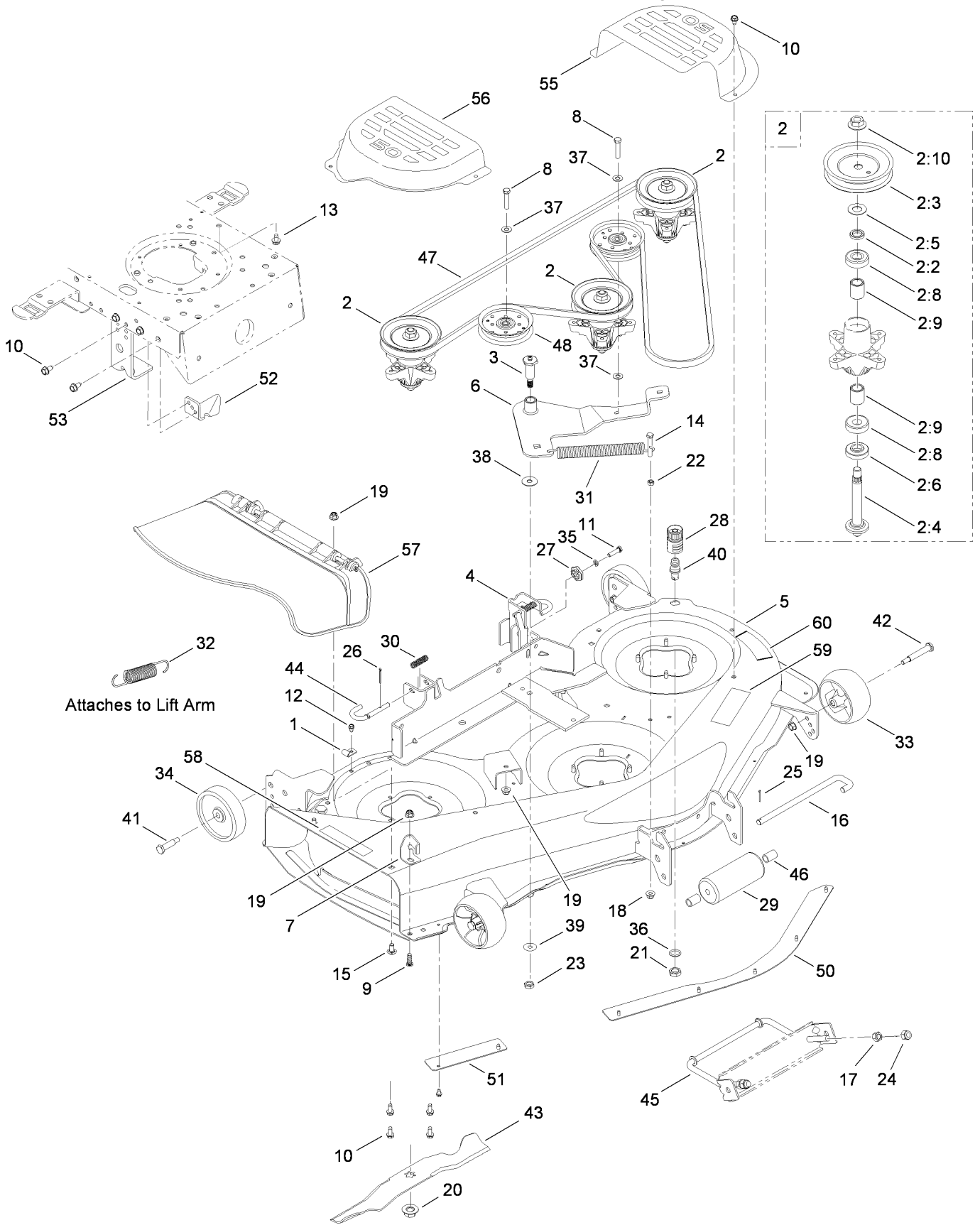
# Transmission Assembly No. 112-0914 (Continued)



## Transmisson Assembly No. 112-0914 (Continued)

Ref	Part No.	Qty.	Description				
102	112-5897	1	Bracket-Torque				
103	112-5885	1	Pulley				
104	112-5886	1	Fan-Blade, 10				
106	112-5898	1	Spacer-Trunnion				
107	112-5899	1	Washer-Slotted				
109	112-5900	1	Bushing-Vent				
110	112-5901	1	Fitting Kit				
111	112-5902	1	Cap Vent ASM				
113	112-5903	1	90 Degree Fitting And Hose ASM Kit				
115	104-2168	1	Nut-Hex				
116	104-2169	2	Ring-Retaining				
117	104-2170	2	Pin				
120	104-2171	2	Puck-Brake				
121	112-5904	1	Bolt-Hex				
122	112-5905	1	Brake Yoke ASM				
124	112-5906	1	Arm-Brake				
125	104-2176	2	Pin-Brake				
128	93-3807	1	Nut-Castle				
129	3272-7	1	Pin-Cotter				
130	104-2180	1	Spacer				
131	104-2181	1	Puck-Plate				
132	112-5907	1	Bolt-Hex				
136	112-5908	1	Spring-Bypass				
137	112-5909	1	Pin-Spring				
138	112-5910	1	Bolt-Self Tapping				
139	112-5911	1	Washer				
141	104-2184	1	Spring-Arm, Brake				
142	112-5912	1	Nut-Hex Lock				
143	112-5913	1	Bolt				
144	104-2185	1	O-Ring				
145	104-2186	1	Spring-Relief				
146	25-2490	1	Ball				
151	104-2188	1	Spring-Brake, Anti Drag				
153	104-2189	1	Plug-Thread, Straight				
154	112-5914	1	Ring-Retaining				
155	112-5915	1	Fan And Pulley Kit				
157	104-2191	2	O-Ring				
168	112-5916	1	Bolt-Shoulder, Torx				
●203	112-5917	1	Seal And O-Ring Kit				

# 50 Inch Deck Assembly



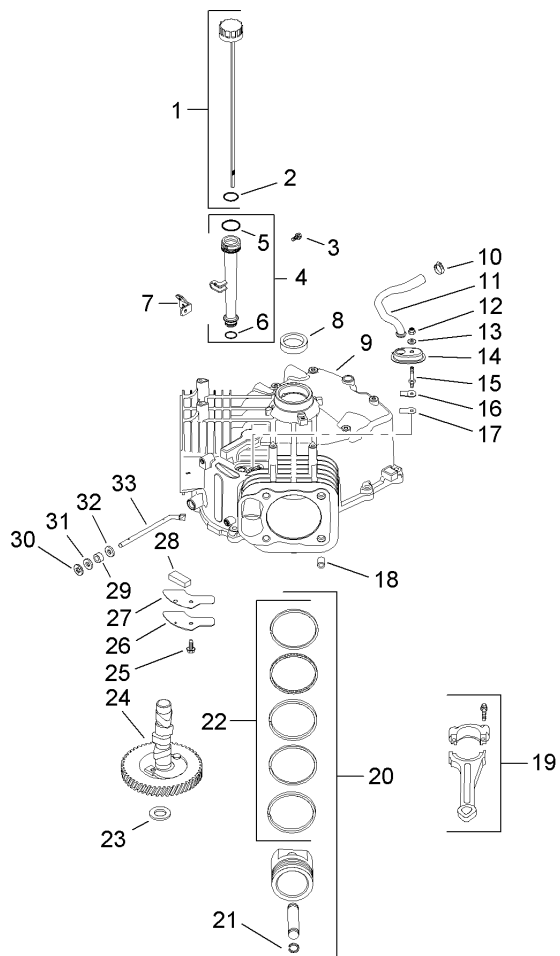
# 50 Inch Deck Assembly

Ref	Part No.	Qty.	Description
1	112-0378	1	Bracket-Retain, Hook
2	112-6042	1	Spindle ASM
2:2	112-6038	1	Spacer
2:3	112-5926	1	Pulley
2:4	112-0884	1	Shaft-Spindle, Blade (Star)
2:5	112-0921	1	Washer-Flat
2:6	112-0721	1	Spacer
2:8	112-0377	1	Bearing-Ball
2:9	112-0389	1	Spacer
2:10	112-0330	1	Nut-Flange, Hex
3	112-6184	1	Bolt Shoulder ASM
4	112-0413	1	LH Hanger Bracket ASM
5	112-0653	1	50 Inch Side Discharge Deck ASM
6	112-0702	1	Idler ASM
7	112-0854	1	Stop-Chute
8	112-0513	1	Screw-HH
9	112-0631	1	Screw-HH
10	112-6070	1	Screw-TAP
11	112-0373	1	Screw-HH
12	112-0524	1	Screw-HWHTF
13	112-0676	1	Screw-TAP
14	112-0590	1	Screw-HH
15	112-0452	1	Bolt-CARR
16	112-0682	1	Pin-Roller
17	112-0458	1	Nut-Hex
18	112-0650	1	Nut-Lock, Flange
19	112-0668	1	Nut-Lock, Flange
20	112-0330	1	Nut-Flange, Hex
21	112-0351	1	Nut-Hex
22	112-0437	1	Nut-Hex
23	112-0537	1	Nut-Hex
24	112-0476	1	Nut-Lock, Hex (Nylon)
25	112-0568	1	Pin-Cotter
26	112-0412	1	Pin-Cotter
27	112-0327	1	Gear-Adjustment, Deck
28	112-0916	1	Adapter-Nozzle, Water
29	112-6185	1	Roller Front
30	112-0406	1	Spring-Compression
31	112-6043	1	Spring-Extension
32	112-0399	1	Spring-Lift, Assist
33	112-0677	1	Wheel-Deck, Front
34	112-0479	1	Bolt-CARR
35	112-0366	1	Washer-Lock
36	112-0643	1	Washer-Lock
37	112-0572	1	Washer-Flat
38	112-0564	1	Washer-Flat
39	112-0481	1	Washer-Bell
40	112-0879	1	Nozzle-Water, Deck
41	112-0334	1	Bolt-Shoulder
42	112-0325	1	Bolt-Shoulder
43	112-0316	1	Blade-17.90 Inch

Ref	Part No.	Qty.	Description
44	112-0436	1	Pin-Handle, Deck Release
45	112-0497	1	Rod-Front, Adjust
46	112-0691	1	Spacer
47	112-6186	1	Belt-V, Section A
48	112-0314	1	Pulley-Idler
50	112-5837	1	Skirt-Center
51	112-0612	1	Skirt-RH
52	112-0571	1	Bracket-Clutch
53	112-0689	1	Bracket-Deck, Up Stop
55	112-6041	1	Cover-Belt, LH
56	112-6040	1	Cover-Belt, RH
57	112-5846	1	Chute Deflector ASM
58	112-1265	1	Decal-Danger
59	112-1273	1	Decal-Belt Routing, Deck
60	112-1268	1	Decal-Danger, Deck





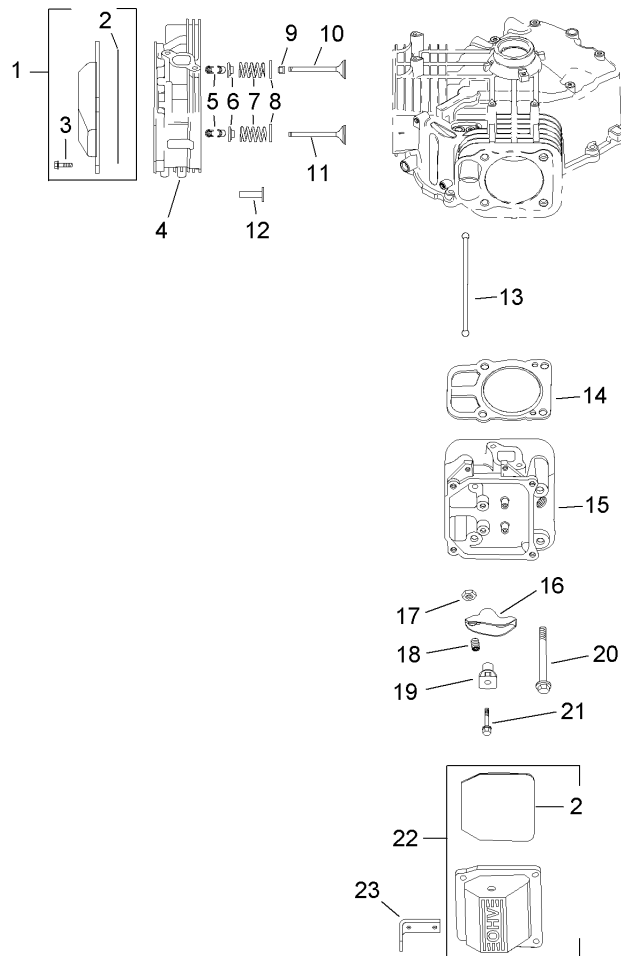


## Crankcase Assembly Kohler SV730-0018

Ref	Part No.	Qty.	Description
❶1	32 038 01-S	1	Dipstick Kit (Includes 2)
❷2	12 153 03-S	1	O-Ring
❸3	M-545016-S	1	Screw-Flange, Thread Forming (M5X0.8X16)
❹4	12 123 04-S	1	Oil Fill Tube ASM (Includes 5-6)
❺5	12 153 02-S	1	O-Ring
❻6	12 153 01-S	1	O-Ring
❼7	24 126 19-S	1	Bracket-Tube, Oil Fill
❽8	24 032 01-S	1	Seal-Oil
❾9		1	Crankcase (Use: Short Block # 32 522 03)
❿10	25 237 14-S	1	Clamp-Hose, Spring (1/2)
⓫11	32 326 04-S	1	Hose-Breather
⓬12	M-547050-S	1	Nut-Lock (M5X.8)
⓭13	32 468 01-S	1	Washer-Sealing
⓮14	32 081 02-S	1	Breather Housing Kit
⓯15	32 072 02-S	1	Stud-Breather Cover
⓰16	24 018 04-S	1	Retainer-Reed, Breather
⓱17	24 402 05-S	1	Reed-Breather
⓲18	24 380 16-S	6	Pin-Locating
⓳19	24 067 13-S	2	Rod-Connecting (Standard)
⓴20	32 874 06-S	2	Piston W/Ring Set (Standard) (Includes 21-22)
⓵21	24 018 01-S	4	Retainer-Pin, Piston
⓶22	24 108 11-S	2	Ring Set (STD And .08)

Ref	Part No.	Qty.	Description
❶23	12 422 10-S	1	Shim-Camshaft (Yellow .034)
❷23	12 422 09-S	1	Shim-Camshaft (Red .032)
❸23	12 422 13-S	1	Shim-Camshaft (Black .04)
❹23	12 422 07-S	1	Shim-Camshaft (White .028)
❺23	12 422 08-S	1	Shim-Camshaft (Blue .03)
❻23	12 422 11-S	1	Shim-Camshaft (Green .036)
❼23	12 422 12-S	1	Shim-Camshaft (Gray .038)
❽24	32 012 01-S	1	Camshaft Kit
❽25	M-645016-S	1	Screw-Flange, Thread Forming (M6X1.0X16)
❿26	32 096 04-S	1	Breather Cover Kit
⓫27	32 041 01-S	1	Gasket-Cover, Breather
⓬28	32 050 01-S	1	Filter-Breather
⓭29	28 032 09-S	1	Seal-Cross Shaft, Governor
⓮30	24 018 09-S	1	Retainer-Ring
⓯31	M-931010-S	1	Washer-Flat (9Mm)
⓰32	24 468 15-S	1	Washer-Flat (11/32)
⓱33	24 144 38-S	1	Shaft-Cross, Governor

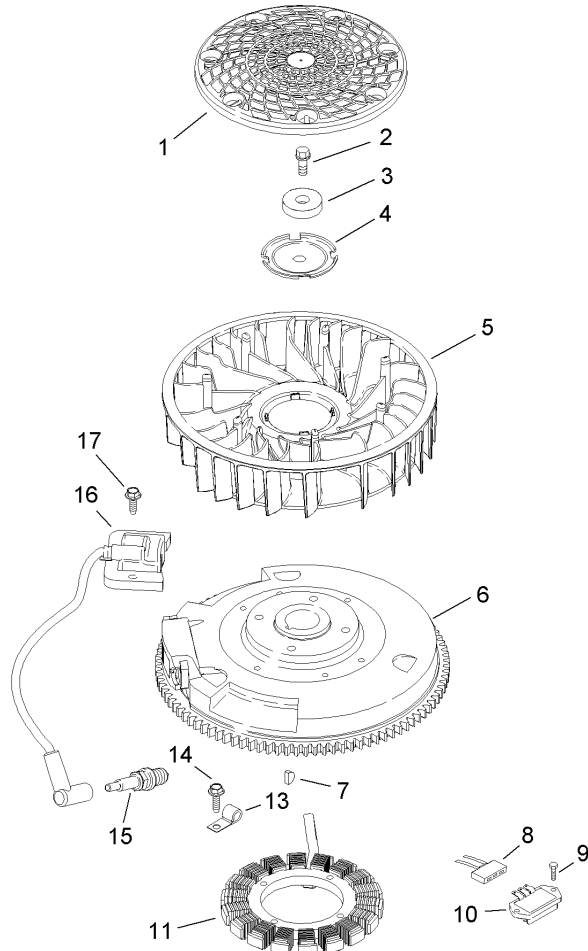




## Head, Valve and Breather Assembly Kohler SV730-0018

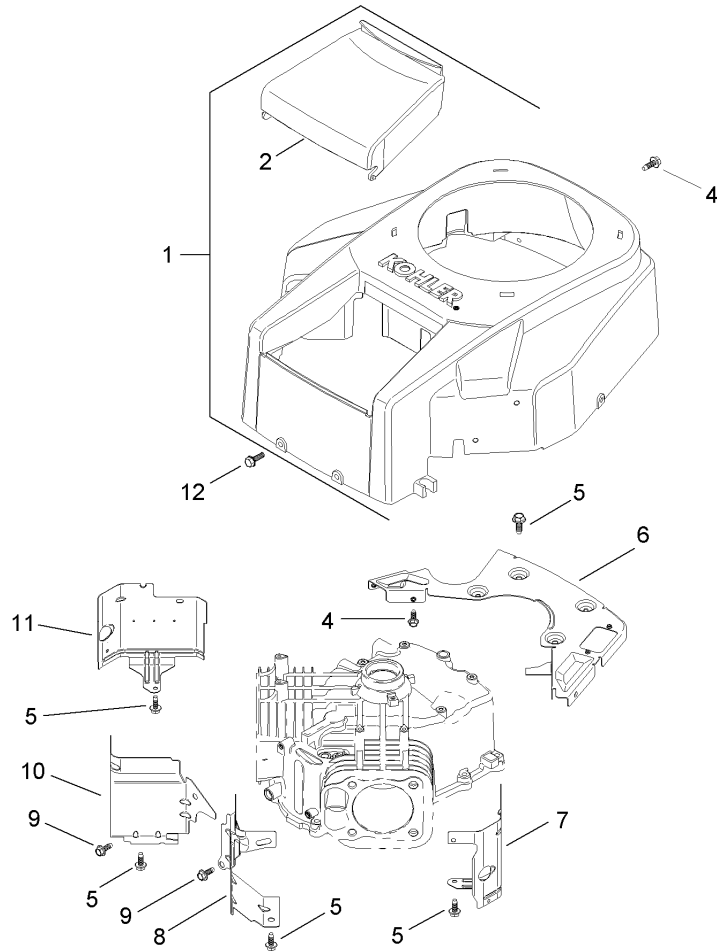
Ref	Part No.	Qty.	Description
❶1	24 755 141-S	1	Plain Valve Cover ASM (Includes 2-3)
❶2	24 153 28-S	1	O-Ring
❶3	M-651030-S	8	Screw-Flange ( M6X1.0X30)
❶4	32 318 01-S	1	Head ASM (No.1 Cylinder)
❶5	12 755 03-S	8	Retainer Kit
❶6	12 173 01-S	4	Cap-Spring, Valve
❶7	24 089 02-S	4	Spring-Valve
❶8	235011-S	4	Retainer-Spring
❶9	66 032 05-S	2	Seal-Stem, Valve
❶10	24 017 01-S	2	Intake Kit (STD)
❶10	24 017 02-S	2	Valve-Intake (.25)
❶11	24 016 01-S	2	Valve-Exhaust (STD)
❶11	24 016 02-S	2	Valve-Exhaust (.25)
❶12	32 019 01-S	4	Tappet
❶13	32 411 02-S	4	Rod-Push
❶14	24 841 03-S	2	Cylinder Head Gasket Kit
❶15	32 318 02-S	1	Head ASM (No.2 Cylinder)
❶16	32 186 02-S	4	Arm-Rocker
❶17	32 100 04-S	4	Nut-Hex (M10X0.75)
❶18	32 086 03-S	4	Screw-Set
❶19	32 599 01-S	4	Pivot-Rocker Arm
❶20	12 086 16-S	8	Screw-Flange (M10X1.5X90)
❶21	32 086 04-S	4	Screw-Hex Flange (M6X1.0X45)

Ref	Part No.	Qty.	Description
❶22	32 096 06-S	1	Breather Valve Cover ASM (Includes 2)
❶23	24 445 01-S	1	Strap-Lifting
❶24	24 041 49-S	1	Gasket-Exhaust
❶25	24 153 27-S	1	O-Ring



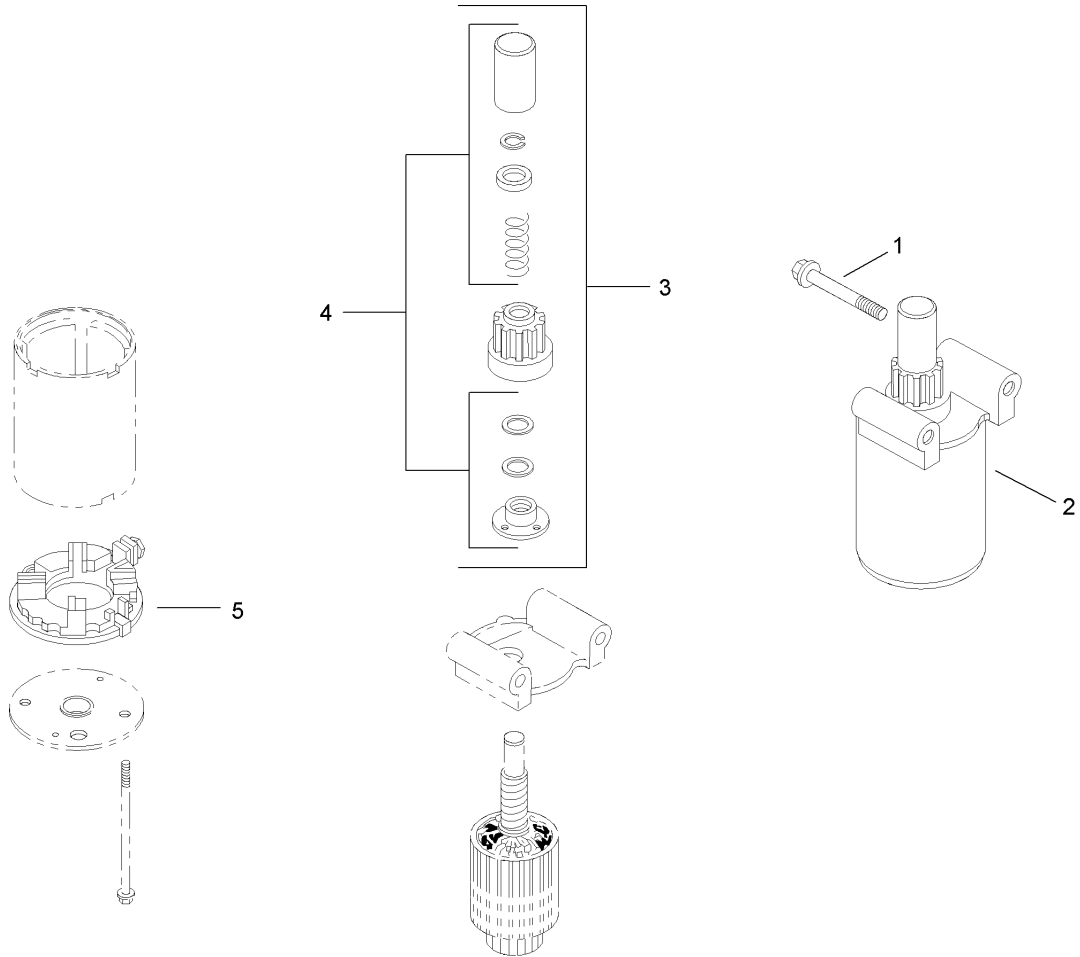
## Ignition and Electrical Assembly Kohler SV730-0018

Ref	Part No.	Qty.	Description				
1	32 162 03-S	1	Screen-Grass				
2	12 086 14-S	1	Screw-Flange (M10X1.5X45)				
3	12 468 03-S	1	Washer-Flat (13/32)				
4	20 146 02-S	1	Plate-Fan Mounting				
5	32 157 01-S	1	Fan				
6	32 025 08-S	1	Flywheel				
7	X-42-15-S	1	Key (3/16 X 5/8)				
8	236602-S	1	Connector (3 Contact)				
9	M-551016-S	2	Screw-Hex Flange, Heavy (M5X0.8X16)				
10	41 403 09-S	1	Rectifier-Regulator				
11	32 085 01-S	1	15 Amp Stator Kit				
13	235173-S	1	Clip-Cable				
14	M-548025-S	2	Screw-Thread Forming (M5X0.8X25)				
15	77-7330	1	Plug-Spark				
16	24 584 01-S	2	Module-Ignition				
17	M-545020-S	4	Screw-Flange, Thread Forming (M5X.8X20)				
18	32 176 04-S	1	Harness-Wiring				
19	25 454 03-S	2	Tie-Wire				



## Blower Housing and Baffle Assembly Kohler SV730-0018

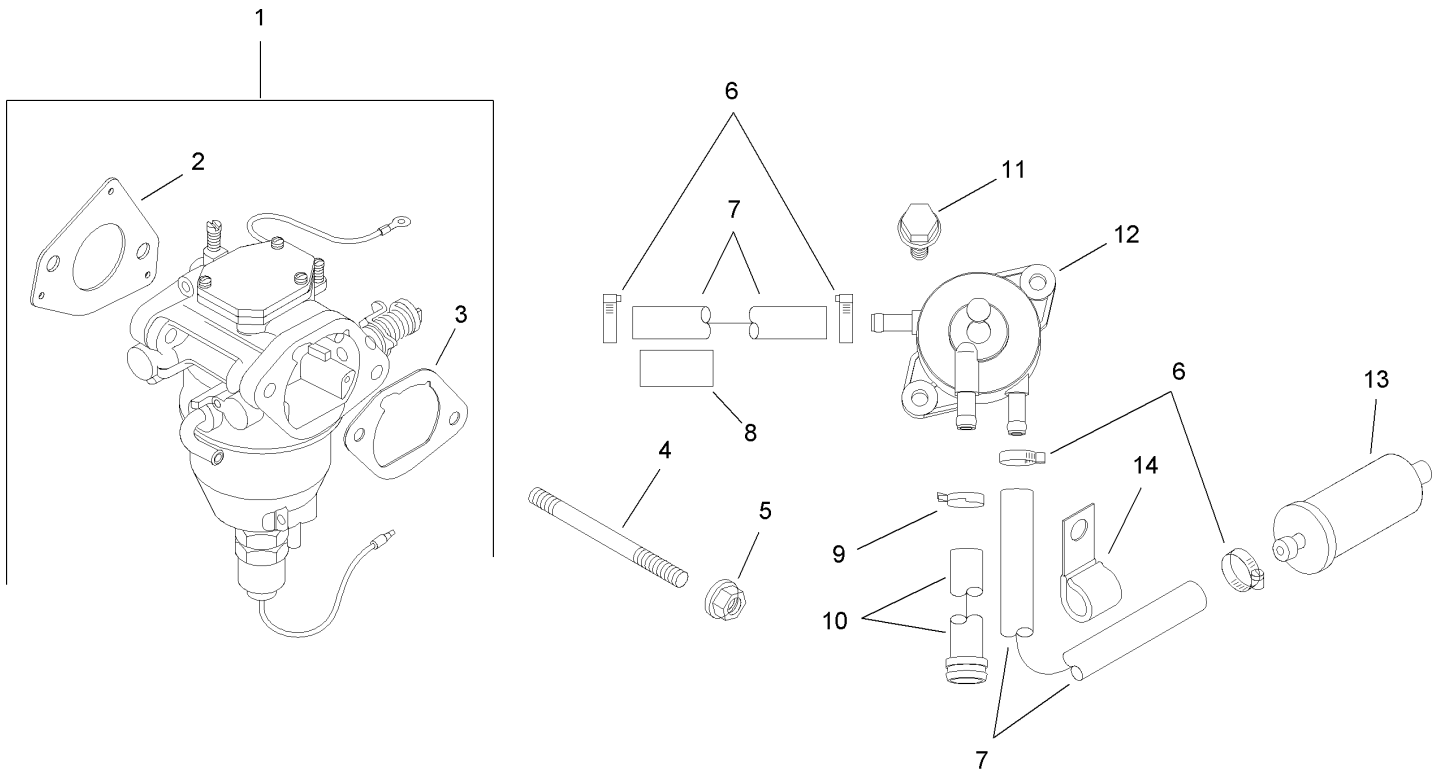
Ref	Part No.	Qty.	Description
❶	32 027 03-S	1	Housing-Blower (Includes 2 And 41 037 10-S)
❷	32 096 08-S	1	Cover-Air Cleaner
❹	M-545016-S	6	Screw-Flange, Thread Forming (M5X0.8X16)
❸	M-645016-S	8	Screw-Flange, Thread Forming (M6X1.0X16)
❻	32 146 05-S	1	Plate-Backing
❼	32 063 05-S	1	Baffle-Cylinder Barrel (No.2 Side)
❽	32 063 02-S	1	Baffle-Valley (No.2 Side)
❾	M-545010-S	2	Screw-Flange, Thread Forming (M5X.8X10)
❿	32 063 03-S	1	Baffle-Valley (No.1 Side)
⓫	32 063 06-S	1	Baffle-Cylinder Barrel (No.1 Side)
⓬	24 086 12-S	2	Screw-TAP (M6X1.7X18)
Ⓜ	41 037 10-S	1	Nameplate-Service



## Starting System Assembly Kohler SV730-0018

Ref	Part No.	Qty.	Description
❶	M-839080-S	2	Screw-Flg (M8X1.25X80)
❷	32 098 01-S	1	Starter ASM (Includes 3-5)
❸	12 755 39-S	1	Drive Kit
❹	12 755 38-S	1	Drive Part Kit
❺	12 243 04-S	1	Commutator-Cap, End

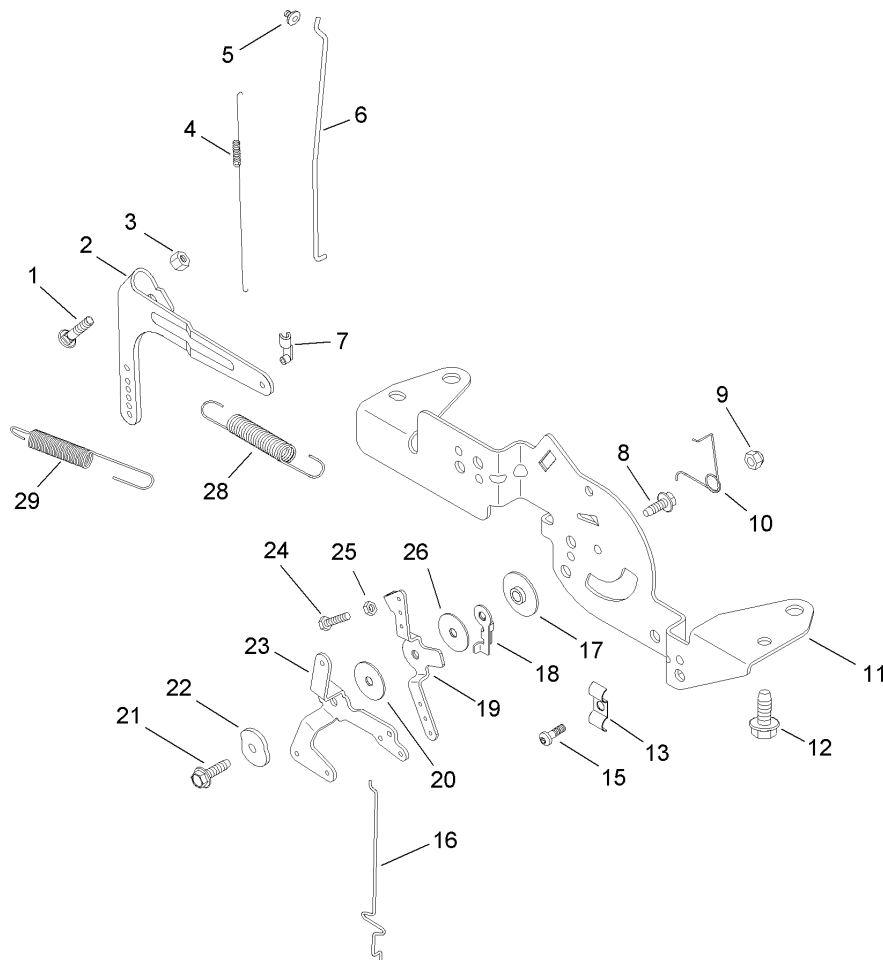
--	--	--	--



## Fuel System Assembly Kohler SV730-0018

Ref	Part No.	Qty.	Description
1	32 853 04-S	1	Carburetor Kit W/Gaskets (Includes 2-3)
2	24 041 52-S	1	Gasket-Carburetor
3	24 041 14-S	1	Gasket-Base, Air Cleaner
4	M-629105-S	2	Stud (M6X1.0X106)
5	M-641060-S	2	Nut-Flange (M6X1.0)
6	25 237 14-S	4	Clamp-Hose, Spring (1/2)
7	25 111 34-S	2	Line-Fuel (24.0 Cut To Length)
8	25 431 10-S	1	Sleeve-Abrasion, Anti
9	25 237 01-S	1	Clamp-Hose
10	32 326 02-S	1	Fuel Pump Hose Kit (W/Clamp)
11	24 086 12-S	2	Screw-TAP (M6X1.7X18)
12	24 393 16-S	1	Pump-Fuel
13	98021	1	Filter-Fuel
14	47 154 01-S	1	Clip-Cable
15	24 757 36-S	1	Choke Repair/Service Kit
16	24 757 38-S	1	Gasket Repair/Service Kit
17	24 757 44-S	1	Float Repair Kit
18	24 757 45-S	1	Solenoid Valve Repair Kit
19	24 757 46-S	1	Overhaul Kit W/Gaskets

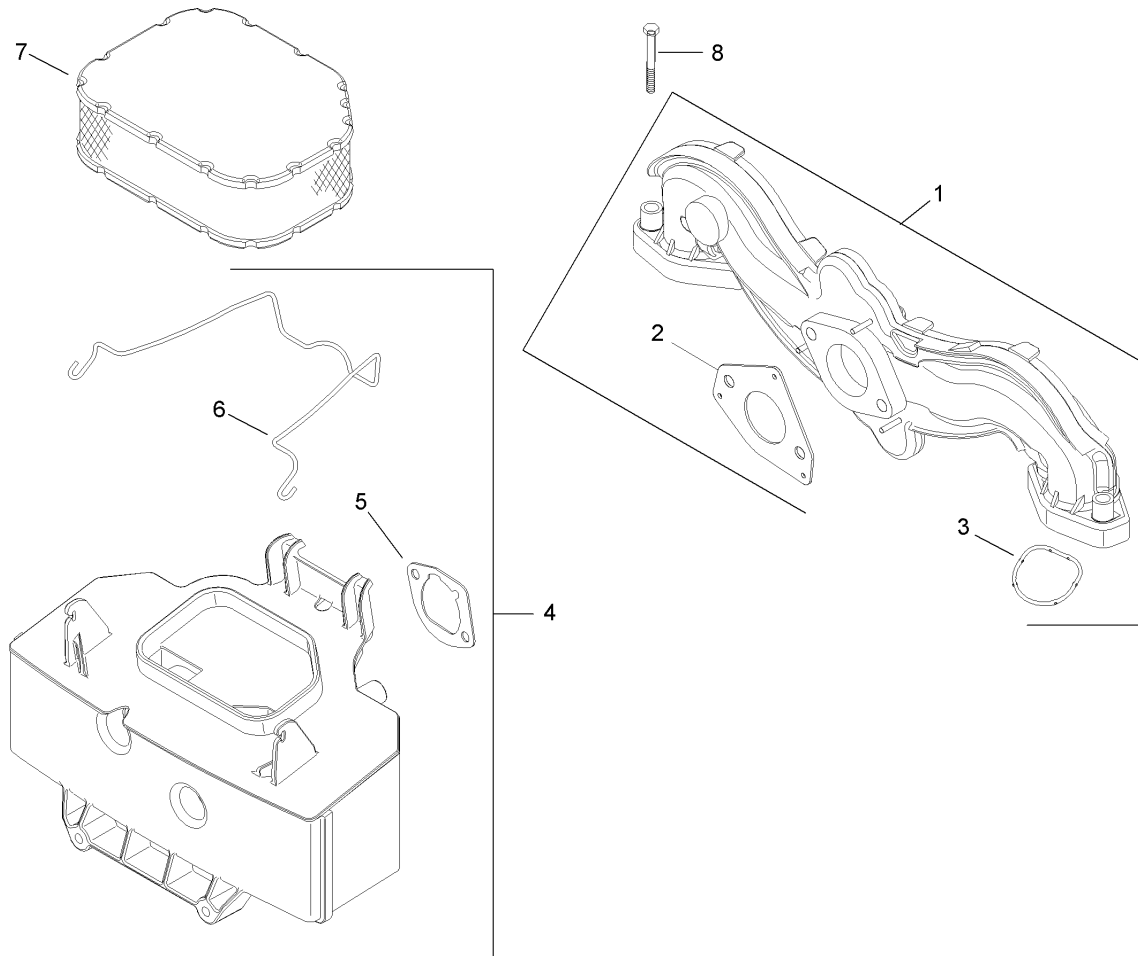
Ref	Part No.	Qty.	Description
20	24 757 18-S	1	Overhaul Kit With Gaskets
21	24 757 19-S	1	Choke Service Repair Kit
22	24 757 20-S	1	Gasket Service Repair Kit
23	24 757 22-S	1	Solenoid Valve Service Kit With Gaskets



## Engine Control Assembly Kohler SV730-0018

Ref	Part No.	Qty.	Description
❶	24 211 03-S	1	Bolt-Sq Neck, Rd HD (M6X1.0X25)
❷	24 090 33-S	1	Lever-Governor
❸	M-641060-S	1	Nut-Flange (M6X1.0)
❹	24 089 01-S	1	Spring-Linkage
❺	25 158 08-S	1	Bushing-Retaining, Linkage
❻	24 079 04-S	1	Linkage-Throttle
❼	25 158 11-S	1	Bushing-Linkage, Throttle
❽	M-545016-S	1	Screw-Flange, Thread Forming (M5X0.8X16)
❾	M-547050-S	1	Nut-Lock (M5X.8)
❿	24 089 03-S	1	Spring-Return, Choke
⓫	24 126 161-S	1	Bracket-Control
⓬	M-645016-S	4	Screw-Flange, Thread Forming (M6X1.0X16)
⓭	47 237 02-S	1	Clamp-Dual, Conduit
⓮	24 086 43-S	1	Screw-Lbd, Thd Frm (M5X0.8X16)
⓯	24 079 22-S	1	Linkage-Choke
⓰	24 112 27-S	1	Space-Control ASM
⓱	24 090 47-S	1	Lever-Actuator, Throttle
⓲	24 090 13-S	1	Lever-Control, Throttle
⓳	24 468 01-S	1	Washer-Flat (5.5Mm)
⓴	M-545020-S	1	Screw-Flange, Thread Forming (M5X.8X20)
⓵	41 468 03-S	1	Washer-Spring (1/4)

Ref	Part No.	Qty.	Description
⓶	24 090 05-S	1	Lever-Choke
⓷	M-403025-S	1	Screw-Slotted Head (M4X0.7X25)
⓸	M-446030-S	1	Nut (M4X0.7)
⓹	24 468 20-S	1	Washer-Flat (5Mm)
⓺	24 089 55-S	1	Spring-Governor
⓻	24 089 25-S	1	Spring-Governor



## Air Intake and Filtration Assembly Kohler SV730-0018

Ref	Part No.	Qty.	Description
❶	24 164 51-S	1	Manifold-Intake
❷	24 041 52-S	1	Gasket-Carburetor
❸	24 153 27-S	2	O-Ring
❹	32 094 03-S	1	Base-Air Cleaner
❺	24 041 14-S	1	Gasket-Base, Air Cleaner
❻	32 344 02-S	1	Latch-Element, Air Cleaner
❼	98019	1	Element-Air Cleaner
❽	M-651040-S	4	Screw-Flange (M6X1.0X40)




# Attachments and Accessories

## For 14AQ81RP048 - GT2200 Garden Tractor

Product Name	Model/Part
Washout Port Kit .....	112-5803
42 Inch Two-Stage Snowthrower .....	190-032-101
50 Inch Triple Bagger .....	190-192-190
46 Inch Front Blade .....	190-833-000
50 Inch Mulch Kit .....	77220
10 cu. ft. Dump Cart .....	79901
10 cu. ft. Poly Dump Cart .....	79935
Folding Loading Ramp .....	79949
Sweeper .....	79985
12 Inch Rear Wheel Weights .....	81115
Tire Chains (23 x 9.50-12) .....	82531
Filter-Air .....	98019
Filter-Oil .....	98020
Filter-Fuel .....	98021
Blade Kit (3 Blades, 50 Inch Decks) .....	98024

# NOTES

# NOTES

# NOTES

