



Super Recycler[®] Lawn Mower

Model No. 20093C - 290000001 and up.

Parts Catalog

Ordering Replacement Parts

To order replacement parts, please supply the part number, the quantity, and the description of each part desired.

Understanding Reference Numbers

Each identified part in an illustration has a reference number. The reference number for a part also appears in the parts list, along with other information about the part.

This catalog uses two special reference number formats, one to indicate parts in a service assembly and another to indicate the quantity of a given part in an illustration.

Service Assembly Reference Numbers

Parts in service assemblies have reference numbers in the form a:b. The a represents the reference number of the entire service assembly and the b represents a sequential number unique to each part within the service assembly.

For example, a wheel assembly might be identified by reference number 6, the tire by 6:1, the valve by 6:2, and the wheel by 6:3. When you order the assembly identified by reference number 6, you receive all parts identified by reference numbers 6:1, 6:2, and 6:3. However, you may also order any part individually. Reference numbers of this type appear in illustrations and in part lists.

Reference Numbers Indicating Quantity

In an illustration, if a reference number indicates more than one part, the reference number has the form nX y. The n represents the quantity of the part, the X is the multiplication symbol, and the y represents the reference number.

For example, in an illustration, the reference number 2X 37 means that two of the parts identified by reference number 37 are indicated.

Contents

Description	Page	Description	Page
Deck Housing and Rear Door Assembly 3	Carburetor Assembly Briggs and Stratton 126T02-0237-B1 15
Discharge Door Assembly No. 107-3717 4	Air Cleaner Assembly Briggs and Stratton 126T02-0237-B1 16
Housing Assembly No. 115-2855 5	Governor Assembly Briggs and Stratton 126T02-0237-B1 17
Front Wheel Assembly 6	Muffler and Fuel Tank Assembly Briggs and Stratton 126T02-0237-B1 18
Rear Wheel and Transmission Assembly 7	Blower Housing Assembly Briggs and Stratton 126T02-0237-B1 19
Engine and Blade Assembly 8	Starter Assembly Briggs and Stratton 126T02- 0237-B1 20
Handle Assembly 9	Engine Gasket Set Briggs and Stratton 126T02-0237-B1 21
Brake Bail and Cable Assembly 10	Carburetor Overhaul Kit Briggs and Stratton 126T02-0237-B1 22
Rear Bag Assembly 11	Attachments and Accessories List 23
Cylinder Assembly Briggs and Stratton 126T02-0237-B1 12		
Crankshaft Assembly Briggs and Stratton 126T02-0237-B1 13		
Crankcase Assembly Briggs and Stratton 126T02-0237-B1 14		

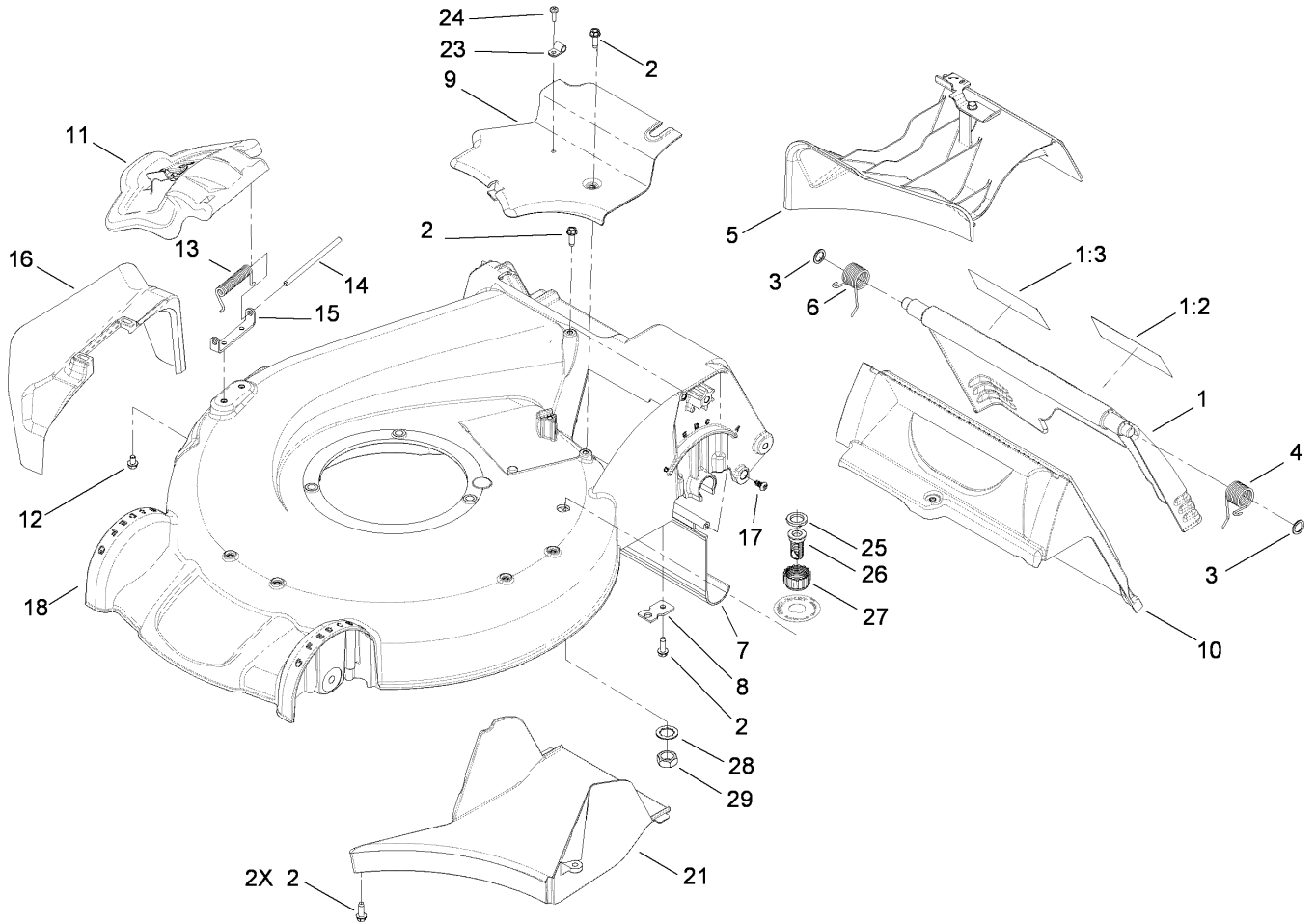
Part Description Abbreviations

Part descriptions in this catalog may include the following abbreviations.

AR. as required	HYD. hydraulic
ASM. assembly	LH. left hand
BBC. blade brake clutch	NI. nylon insert
CARR. carriage	NPTF. national pipe thread fine
DEG. degrees	PFH. phillips flat head
EXT. external	PPH. phillips pan head
FH. flat head	PPHTF. phillips pan head thread forming
GA. gauge	PRH. phillips round head
HD. heavy-duty	PTH. phillips truss head
HF. hex flange	PTO. power-take-off
HH. hex head	RH. right hand
HHF. hex head flange	ROPS. roll-over protection system
HHFTF. hex head flange thread forming	SFH. slotted fillister head
HJ. hex jam	SHH. slotted hex head
HLH. hex lag head	SHWH. slotted hex washer head
HOC. height-of-cut	SPH. slotted pan head
HSBH. hex socket button head	SQH. square head
HSFH. hex socket flat head	SRH. slotted round head
HSH. hex socket head	STD. standard
HWH. hex washer head	TAP. self tapping
HWHTF. hex washer head thread forming	TTH. torx truss head

Footnotes

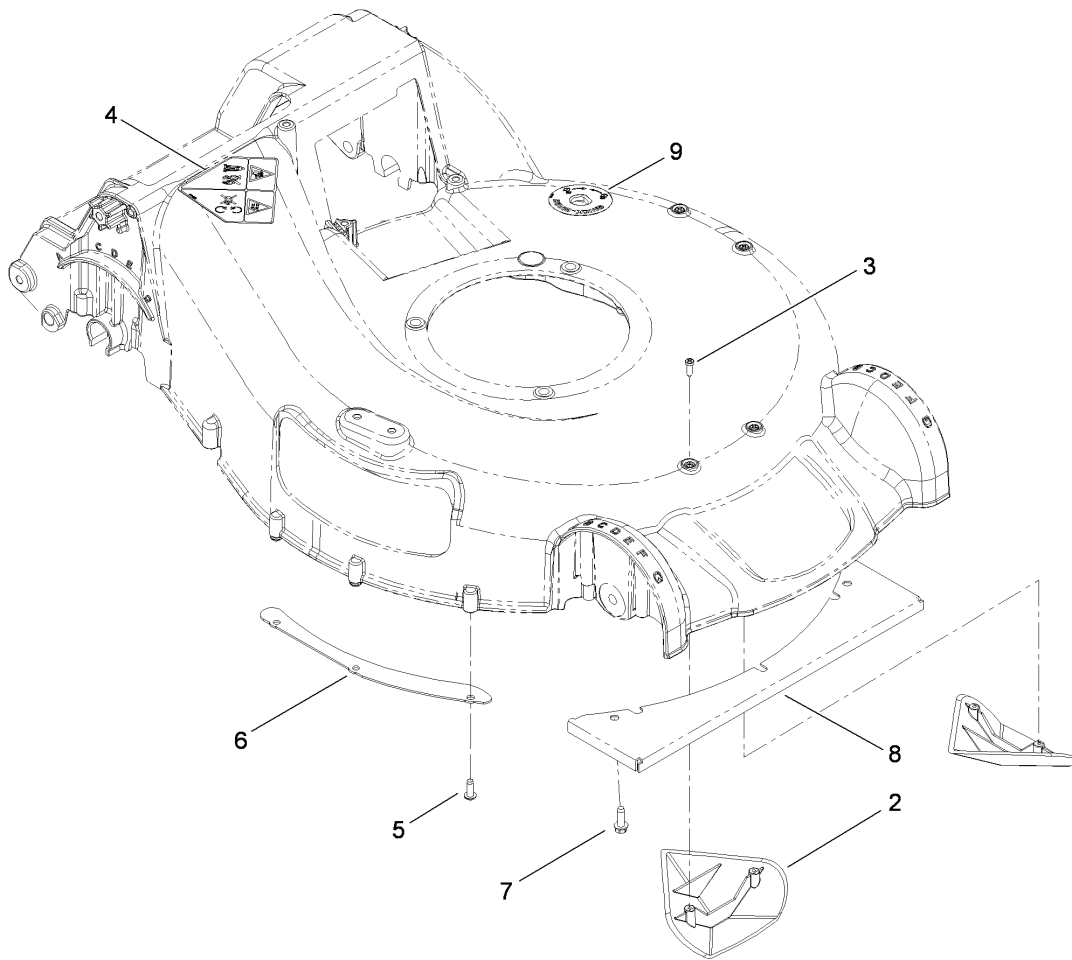
- | | |
|---|---|
| <ul style="list-style-type: none"> ❶ Not serviced separately ❷ Included in Carburetor Overhaul Kit (Ref. No. 121) ❸ Included in Carburetor Gasket Set (Ref. No. 977) | <ul style="list-style-type: none"> ❹ Obtain from your local Briggs & Stratton dealer ❺ Included in Engine Gasket Set (Ref. No. 358) |
|---|---|



Deck Housing and Rear Door Assembly

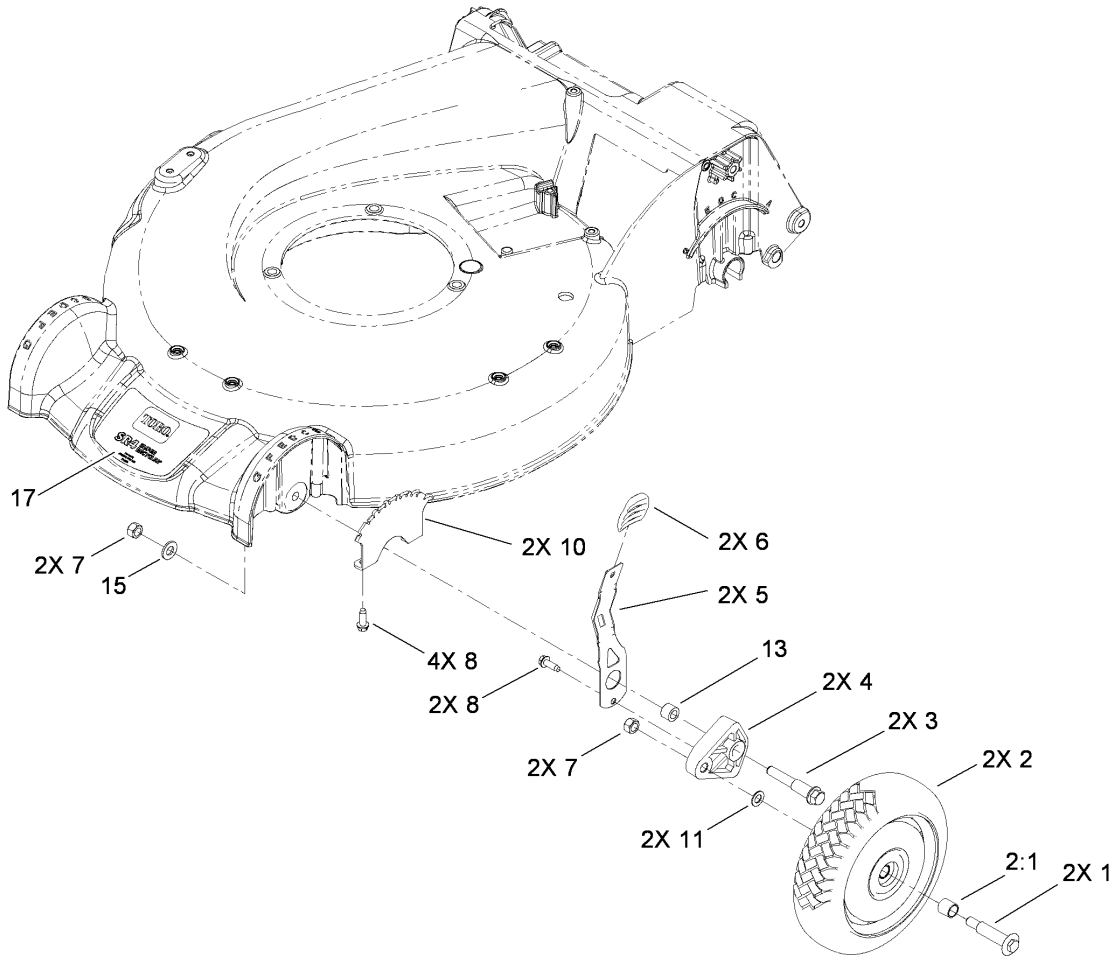
Ref	Part No.	Qty.	Description
1	115-2856	1	Rear Door ASM
1:2	114-7982	1	Decal-Warning
1:3	104-7908	1	Decal-Warning
2	49-2040	6	Screw-HWHTF
3	94-8196	2	Washer-Nylon
4	115-2859	1	Spring-Torsion
5	115-8413	1	Mulch Plug ASM
6	114-7924	1	Spring-Torsion
7	114-1586	1	Shield-Trailing
8	107-7497	1	Bracket-Cable, Traction
9	107-7494	1	Cover-Belt
10	114-2668	1	Chute
11	107-3717	1	Discharge Door ASM
12	99-8445	2	Screw-HWH
13	99-5293	1	Spring-Torsion
14	99-5291	1	Rod-Cover
15	112-6416	1	Bracket-Cover
16	108-3753	1	Chute-Discharge, Side
17	117-1092	2	Screw-PPH
18	115-2855	1	Housing ASM
21	107-7495	1	Tunnel-Discharge
23	98-2256	1	Clamp
24	32144-32	1	Screw
25	112-6438	1	Washer-Seal, Washout Port

Ref	Part No.	Qty.	Description
26	112-6400	1	Port-Washout
27	112-6401	1	Coupling-Hose, Washout Port
28	3254-5	1	Washer-Tooth
29	3218-6	1	Nut-Jam



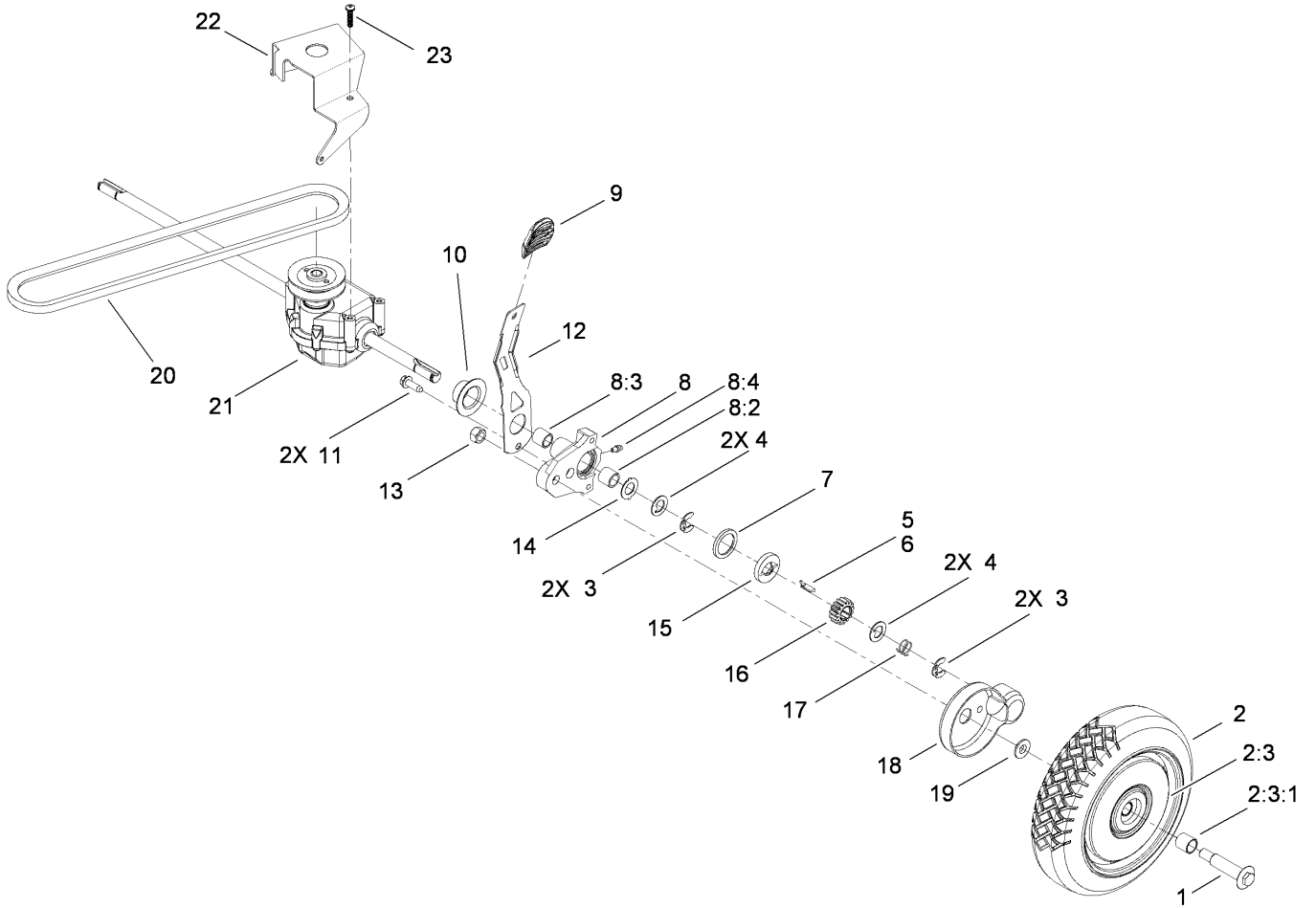
Housing Assembly No. 115-2855

Ref	Part No.	Qty.	Description
2	108-3798	2	Kicker-Housing
3	32144-111	4	Screw-PPH
4	112-8760	1	Decal-Danger
5	63-8590	3	Screw
6	105-1316-03	1	Sheet-Lip
7	49-2040	3	Screw-HWHTF
8	108-3797-03	1	Plate-Cover, Front
9	112-8867	1	Decal



Front Wheel Assembly

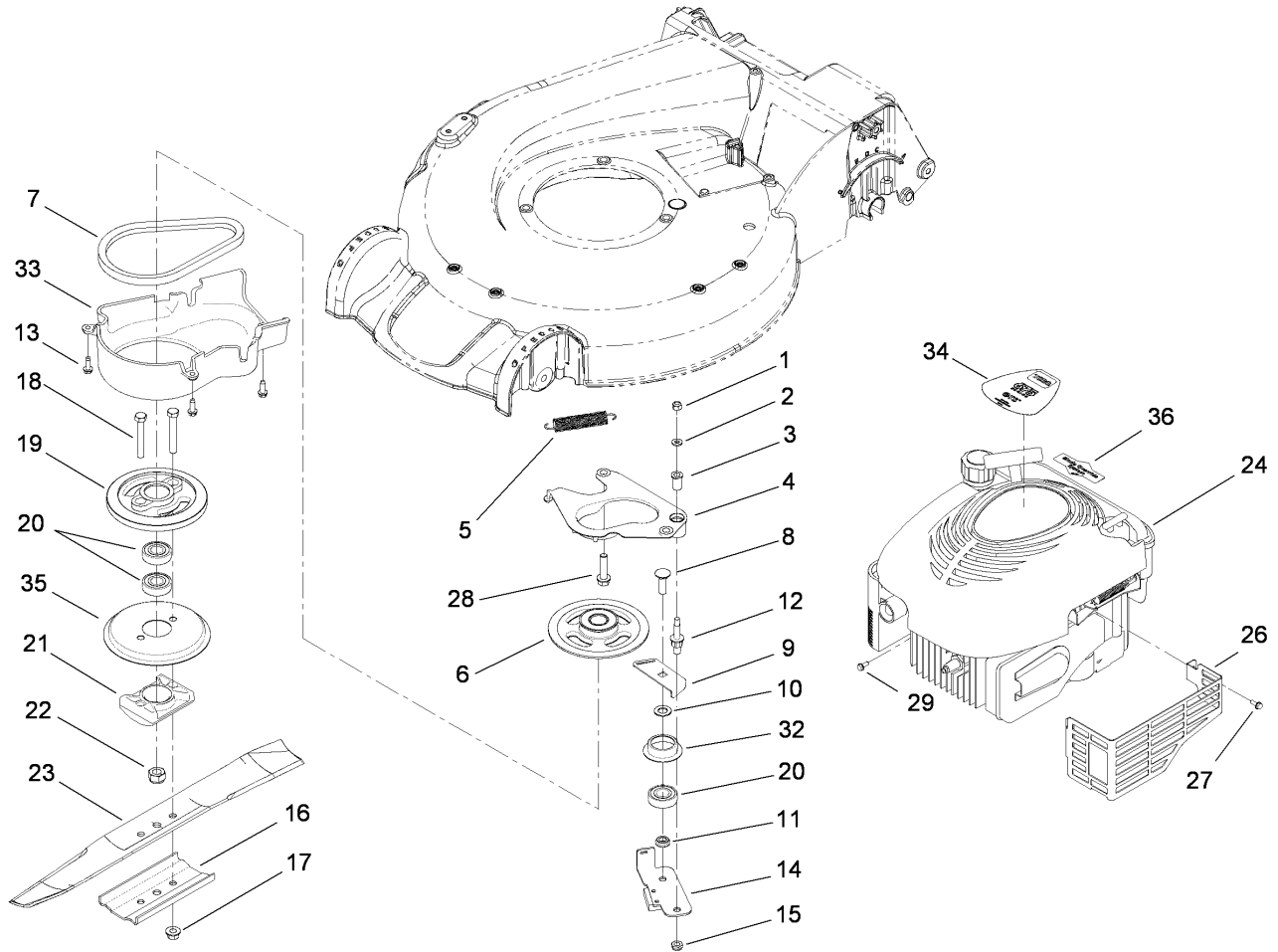
Ref	Part No.	Qty.	Description
1	92-1057	2	Bolt-Shoulder
2	14-9989	2	Wheel And Tire ASM
2:1	27-6250	2	Bushing
3	114-3467	2	Screw-Shoulder
4	107-7492	2	Arm-Pivot
5	107-7491	2	Arm-Spring
6	105-3042	2	Knob-Lever, HOC
7	603773	4	Nut
8	49-2040	10	Screw-HWHTF
10	107-7478	4	Plate-HOC
11	40-1940	2	Washer
13	52-2480	2	Spacer-Wheel
15	3256-24	2	Washer-Flat
17	108-8168	1	Decal



Rear Wheel and Transmission Assembly

Ref	Part No.	Qty.	Description
1	92-1057	2	Bolt-Shoulder
2	16-0029	2	Wheel And Tire ASM (W/Gear)
2:3		1	Wheel ASM
2:3:1	27-6250	2	Bushing
3	65-2720	4	Ring-Clip, Locking
4	65-4740	4	Washer-Thrust, Keyed
5	66-6040	1	Key-Rocking, RH
6	66-6050	1	Key-Rocking, LH
7	65-4710	2	Ring-Friction
8	100-8774	2	Pivot Arm ASM
8:2	47-2900	1	Bushing
8:3	70-9760	1	Bushing
8:4	302-56	1	Fitting-Grease
9	105-3042	2	Knob-Lever, HOC
10	42-3520	2	Cap-End
11	49-2040	2	Screw-HWHTF
12	107-7491	2	Arm-Spring
13	603773	2	Nut
14	65-4730	2	Washer-Arm, Pivot
15	65-4760	2	Washer-Clutch
16	65-4750	2	Gear-Pinion
17	65-4720	2	Spring-Compression
18	74-1660	2	Cover-Wheel
19	74-1671	2	Spacer-Cover, Wheel

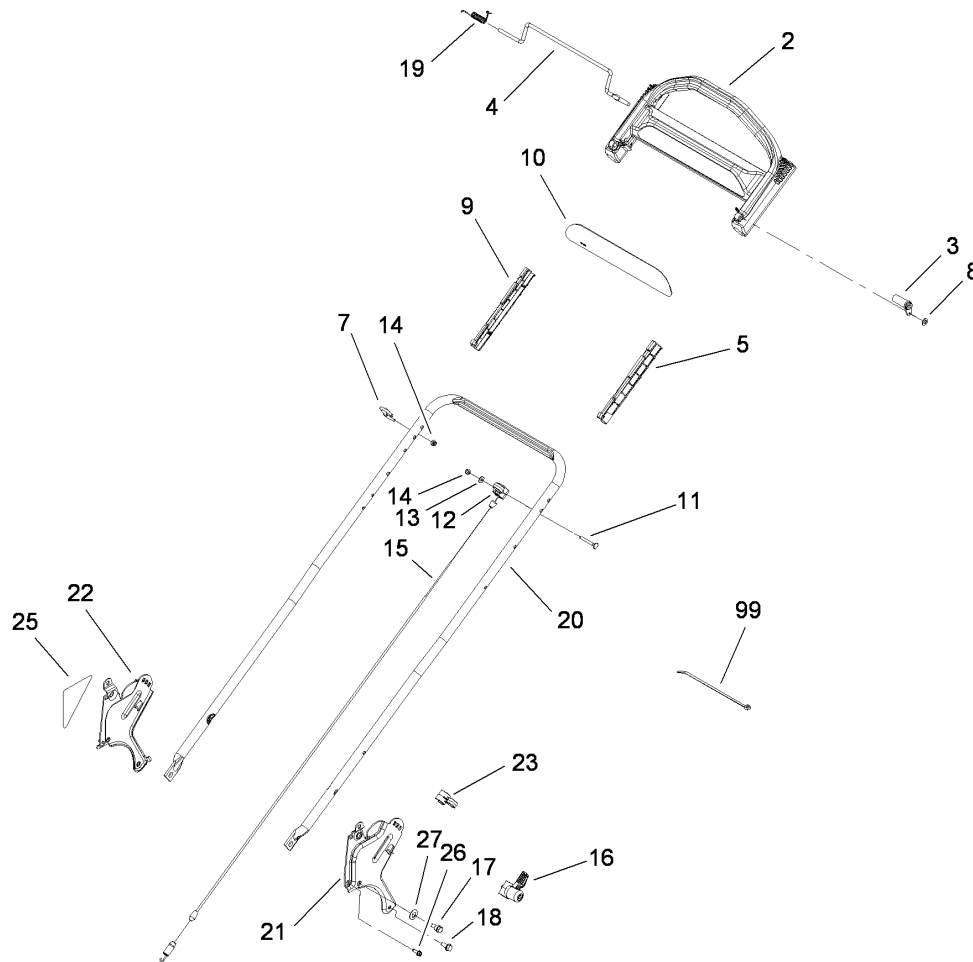
Ref	Part No.	Qty.	Description
20	92-1043	1	V-Belt
21	115-4560	1	Transmission - Sr4, (6:1)
22	114-7977-03	1	Bracket-Transmission
23	108-7476	3	Screw-Plastite



Engine and Blade Assembly

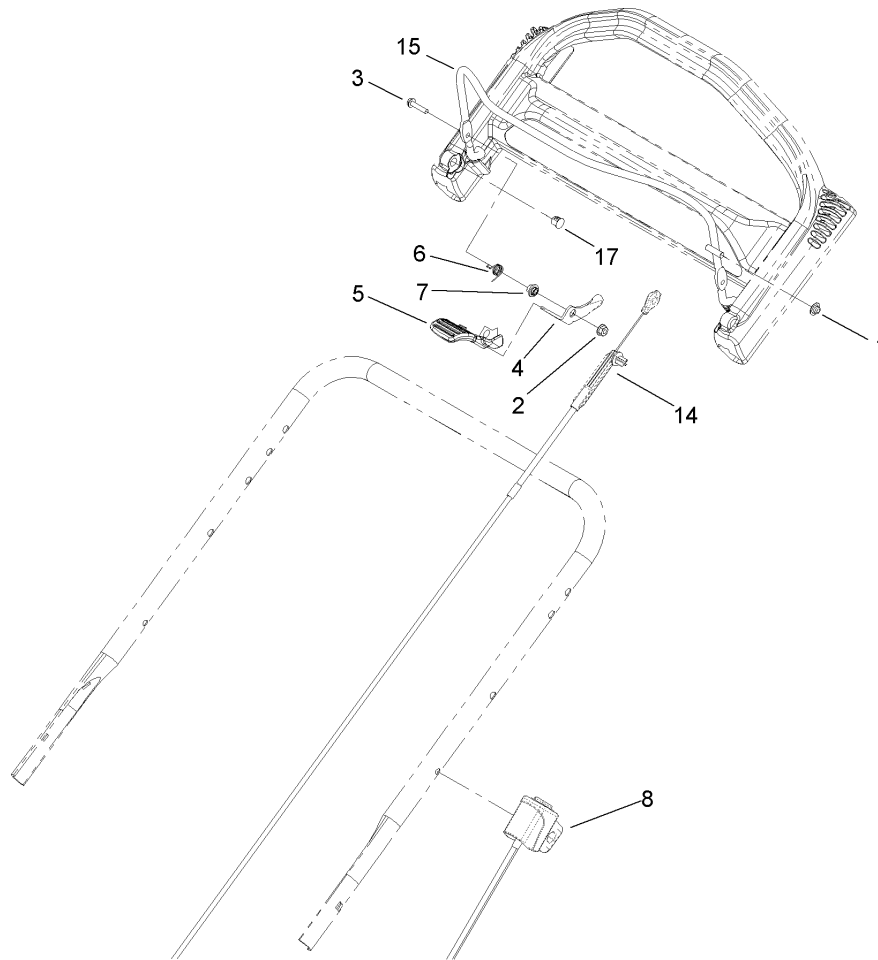
Ref	Part No.	Qty.	Description
1	3296-42	1	Nut-Lock, NI
2	3256-16	1	Washer-Flat
3	107-0797	1	Bushing
4	107-0761	1	Plate-Anchor
5	108-3792	1	Spring-Tension, Brake
6	110-7456	1	Pulley
7	110-1790	1	Belt-BBC
8	3231-25	1	Screw-CARR
9	107-7471	1	Plate-Guide
10	605256	1	Washer
11	107-0758	1	Spacer-Bearing
12	107-0759	1	Bolt-Shoulder
13	49-2040	3	Screw-HWHTF
14	107-7477	1	Brake Arm ASM
15	603773	2	Nut
16	108-3766-03	1	Support-Blade
17	54-9190	2	Nut-Lock
18	3211-42	2	Screw-HH
19	107-0754	1	Drum
20	100-1048	3	Bearing-Ball
21	107-7487	1	Support-Blade
22	108-9342	1	Nut-Hex
23	108-3762-03	1	Blade-Recycling
24		1	Engine-B&s, 126T02-0190-B1

Ref	Part No.	Qty.	Description
26	104-7577-03	1	Shield-Muffler
27	32144-1	3	Screw-Taptite
28	32144-102	3	Screw-HWH
29	32144-112	1	Screw-HWH
32	108-3790	1	Retainer-Belt
33	107-7488	1	Cover
34	114-0339	1	Decal-Engine
35	108-3787	1	Disc
36	108-8131	1	Decal-Recoil



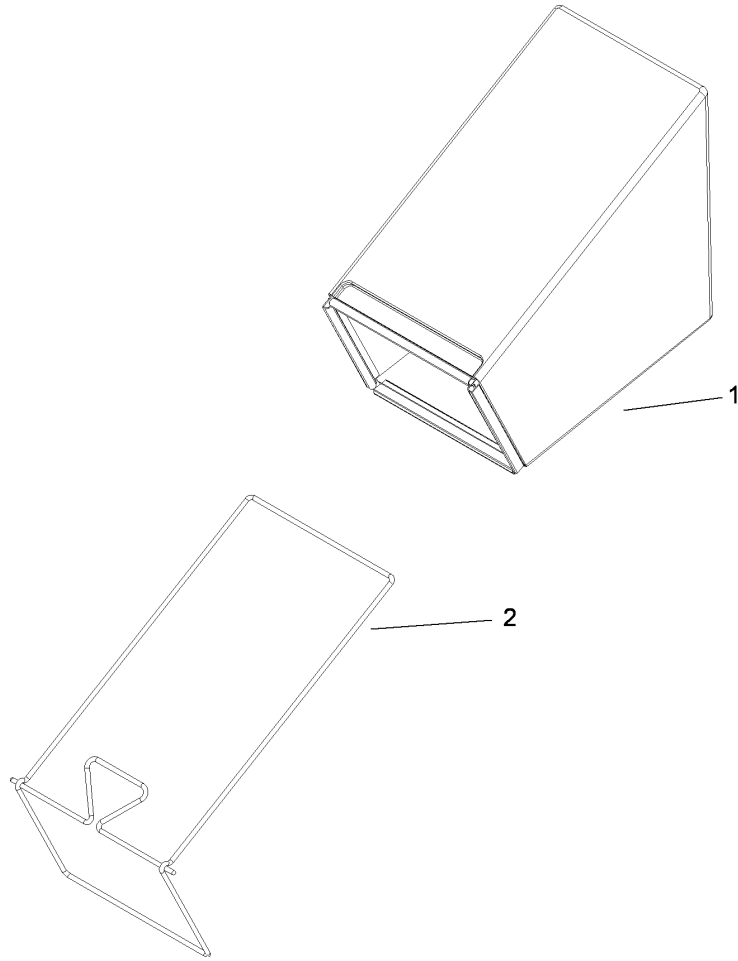
Handle Assembly

Ref	Part No.	Qty.	Description	Ref	Part No.	Qty.	Description
2	104-8678	1	Handle-Control	99	614249	3	Strap-Tie
3	99-1589	1	Lever-Traction				
4	99-1588	1	Bar-Control, Traction				
5	105-6842	1	Guide-LH				
7	86-9671	1	Guide-Rope				
8	3256-23	1	Washer-Flat				
9	105-6841	1	Guide-RH				
10	108-8134	1	Decal-Handle				
11	321-50	1	Screw-HH				
12	99-5239	1	Anchor-Cable				
13	3256-1	1	Washer-Flat				
14	3296-73	2	Nut-Lock, NI				
15	108-8158	1	Cable-Traction				
16	115-2860	2	Quick Release ASM				
17	115-1958	2	Bolt-Shoulder				
18	32144-11	2	Screw-HWHTF				
19	104-8690	1	Spring-Torsion				
20	115-1300-05	1	Handle				
21	114-2671-03	1	Bracket-Handle, LH				
22	114-2672-03	1	Bracket-Handle, RH				
23	106-6805	1	Guide-Cable				
25	115-2884	1	Decal-Instruction				
26	49-2040	2	Screw-HWHTF				
27	112-9972	2	Washer-Conical, Spring				



Brake Bail and Cable Assembly

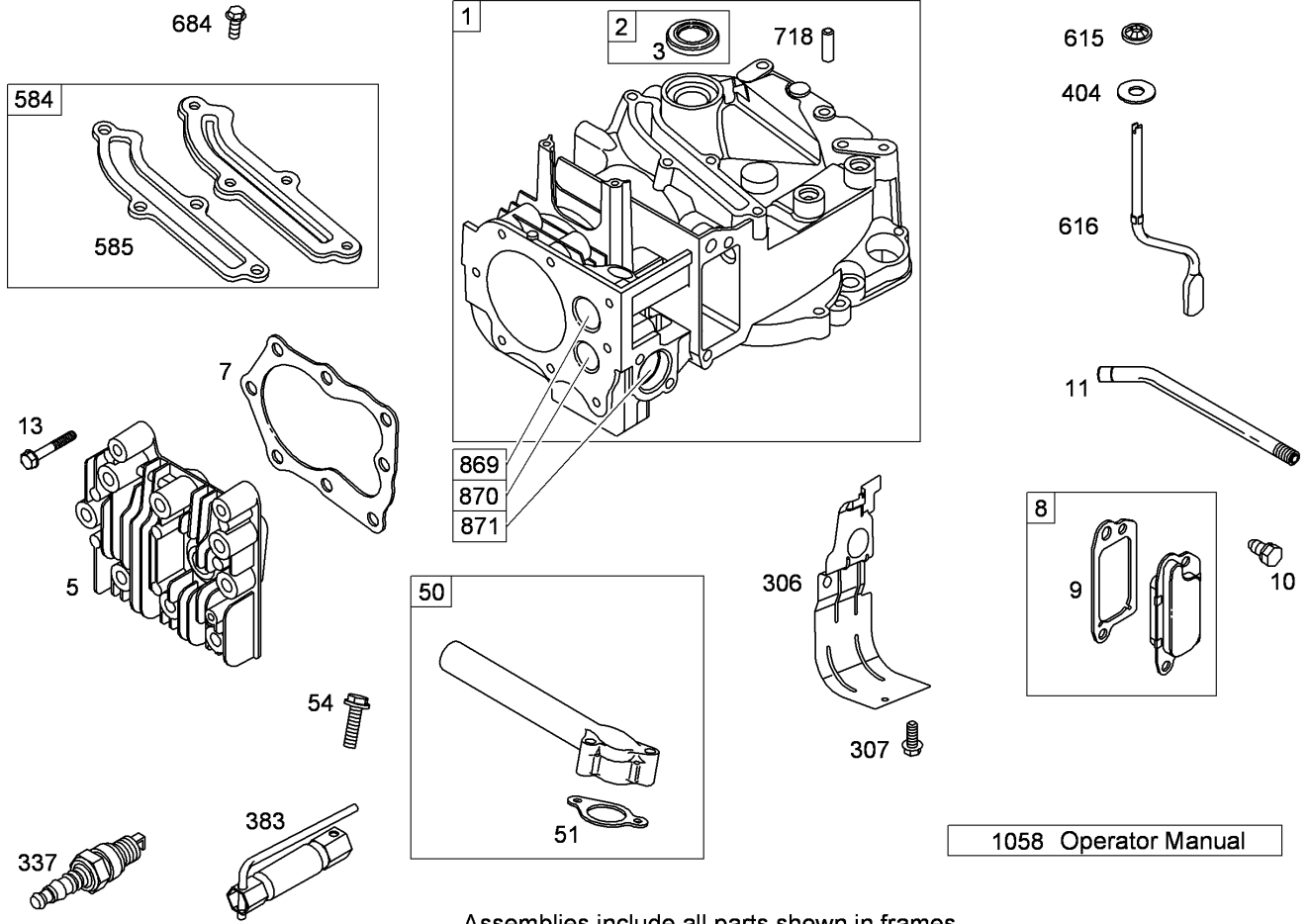
Ref	Part No.	Qty.	Description
1	3290-337	1	Nut-Speed
2	32128-17	1	Nut-Lock, Flange
3	106-9169	1	Screw
4	106-6802	1	Lever
5	112-8884	1	Knob-BBC
6	107-7462	1	Spring-Torsion
7	107-7463	1	Spacer
8	108-8161	1	Switch Housing ASM
14	108-8155	1	Cable ASM
15	108-3788-03	1	Bail-Brake
17	104-9368	1	Plug-Dome



Rear Bag Assembly

Ref	Part No.	Qty.	Description
1	114-2664	1	Grass Bag ASM
2	114-2679-03	1	Bag Frame ASM

|--|--|--|--|



Assemblies include all parts shown in frames

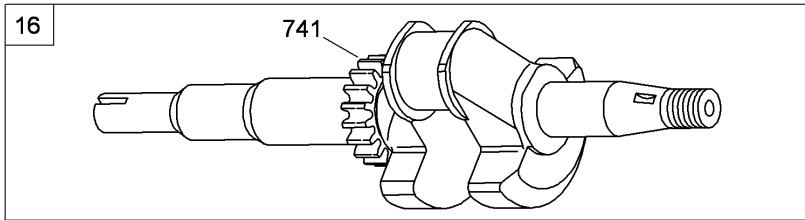
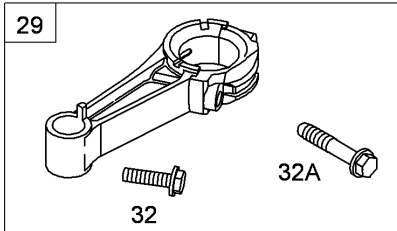
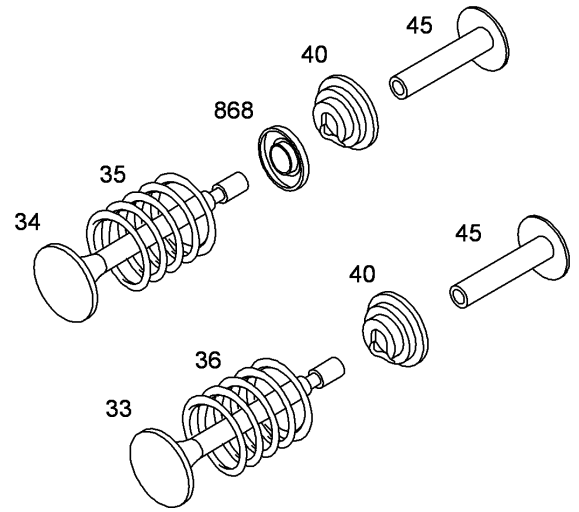
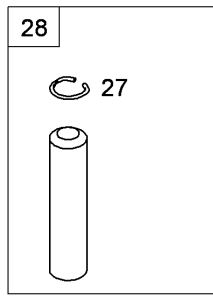
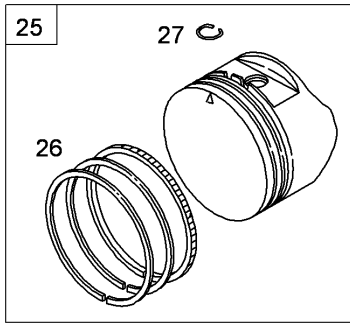
Cylinder Assembly

Briggs and Stratton 126T02-0237-B1

1058 Operator Manual

Ref	Part No.	Qty.	Description
1	697322	1	Cylinder ASM
2	399269	1	Bushing And Seal Kit
3	299819s	1	Seal-Oil (Magneto Side)
4	691160	1	Head-Cylinder
5	692249	1	Gasket-Head, Cylinder
6	695250	1	Breather ASM
7	696125	1	Gasket-Breather
8	691125	1	Screw (Breather ASM)
9	691781	1	Tube-Breather
10	690912	1	Screw (Cylinder Head)
15	794305	1	Manifold-Intake
16	794306	1	Gasket-Intake
19	691650	1	Screw (Intake Manifold)
20	790836	1	Shield-Cylinder
21	690345	1	Screw (Cylinder Shield)
22	802592s	1	Plug-Spark
23	89838s	1	Wrench-Spark Plug
24	690272	1	Washer (Governor Crank)
25	697734	1	Cover-Passage, Breather
26	691879	1	Gasket-Passage, Breather
28	690340	1	Retainer-Shaft, Governor
29	698801	1	Crank-Governor
30	690345	1	Screw (Breather Passage Cover)
31	690959	1	Pin-Locating

Ref	Part No.	Qty.	Description
27	691155	1	Seat-Valve (Intake)
28	690380	1	Seat-Valve (Exhaust)
29	262001	1	Bushing-Guide (Exhaust)
30	63709	1	Bushing-Guide (Intake)
31	277039TRI	1	Operator Manual

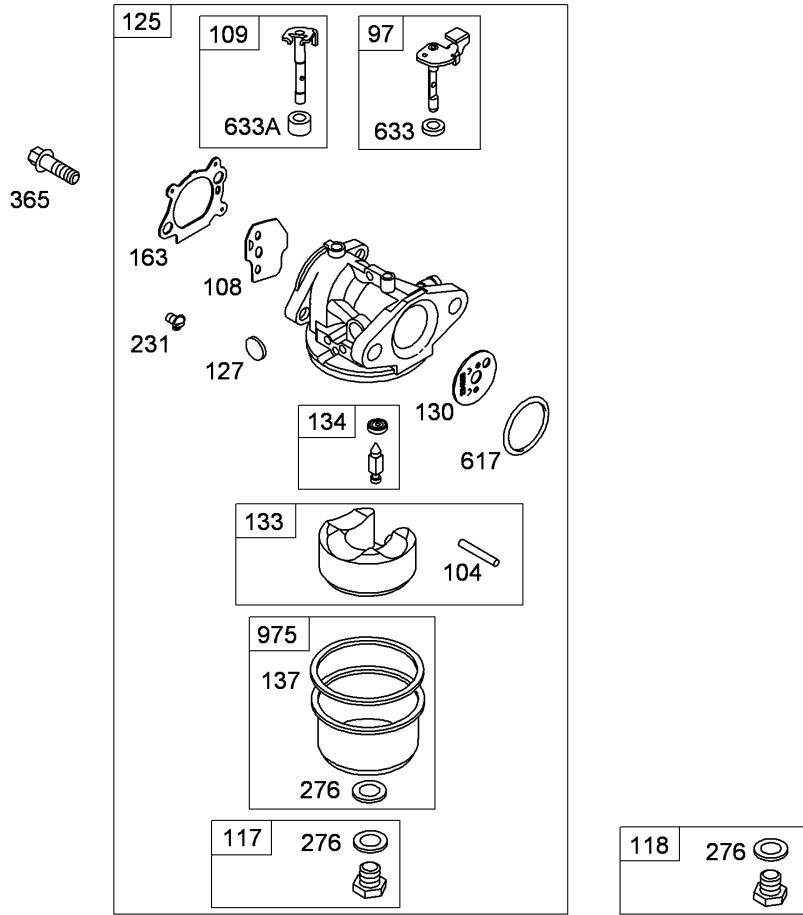


Assemblies include all parts shown in frames

Crankshaft Assembly Briggs and Stratton 126T02-0237-B1

Ref	Part No.	Qty.	Description
16	791061	1	Crankshaft
24	222698s	1	Key-Flywheel
25	795429	1	Piston ASM (Standard)
25	795430	1	Piston ASM (.020 Oversize)
26	795431	1	Ring Set (Standard)
26	795432	1	Ring Set (.020 Oversize)
27	691866	1	Lock-Pin, Piston
28	499423	1	Pin-Piston
29	499424	1	Rod-Connecting
32	691664	1	Screw (Connecting Rod)
32A	695759	1	Screw (Connecting Rod)
33	262651s	1	Valve-Exhaust
34	262652s	1	Valve-Intake
35	691270	1	Spring-Valve (Intake)
36	691270	1	Spring-Valve (Exhaust)
40	692194	1	Retainer-Valve
45	690548	1	Tappet-Valve
741	795755	1	Gear-Timing
868	697338	1	Seal-Valve

--	--	--	--

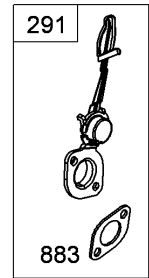
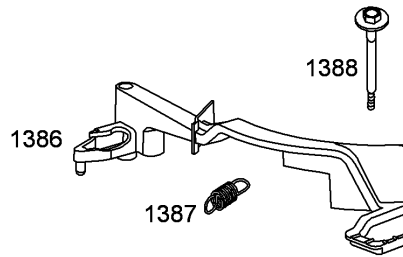
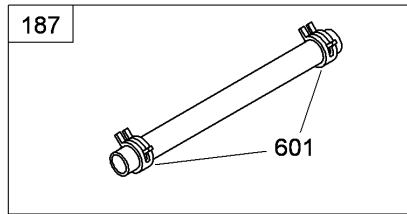
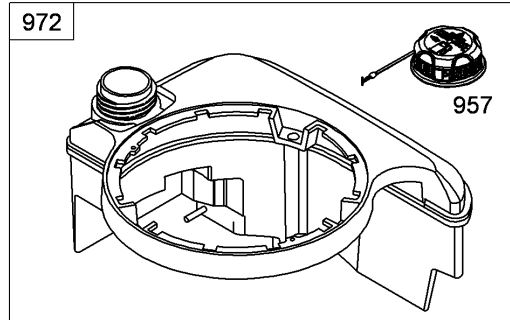
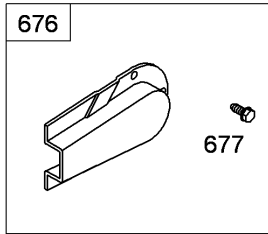
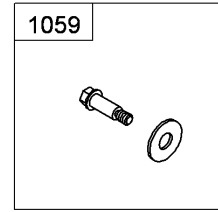
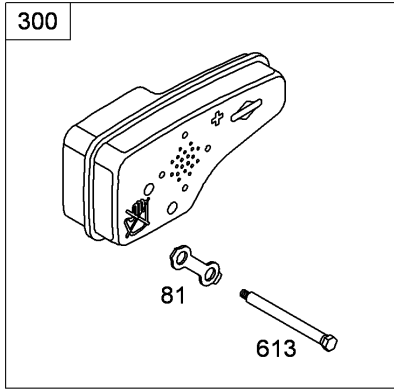


Assemblies include all parts shown in frames

Carburetor Assembly Briggs and Stratton 126T02-0237-B1

Ref	Part No.	Qty.	Description
2 97	696565	1	Shaft-Throttle
2 3 104	691242	1	Pin-Hinge, Float
2 108	790844	1	Valve-Choke
2 109	790843	1	Shaft-Choke
2 117	691428	1	Jet-Main (Standard)
2 118	498977	1	Jet-Main (High Altitude)
2 125	794304	1	Carburetor
2 3 127	694468	1	Plug-Welch
2 130	696564	1	Valve-Throttle
2 133	398187	1	Float-Carburetor
2 3 134	398188	1	Needle And Seat Kit
2 137	693981	1	Gasket-Bowl, Float
2 3 163	272653s	1	Gasket-Cleaner, Air
4 5 231	691636	1	Screw (Choke Valve)
2 3 276	271716	1	Washer-Sealing
5 365	692524	1	Screw (Carburetor)
2 3 617	270344s	1	Seal-O Ring (Intake Manifold)
5 633	691321	1	Seal-Shaft, Choke Throttle
2 3 633A	693867	1	Seal-Shaft, Choke Throttle
5 975	493640	1	Bowl-Float

--	--	--	--

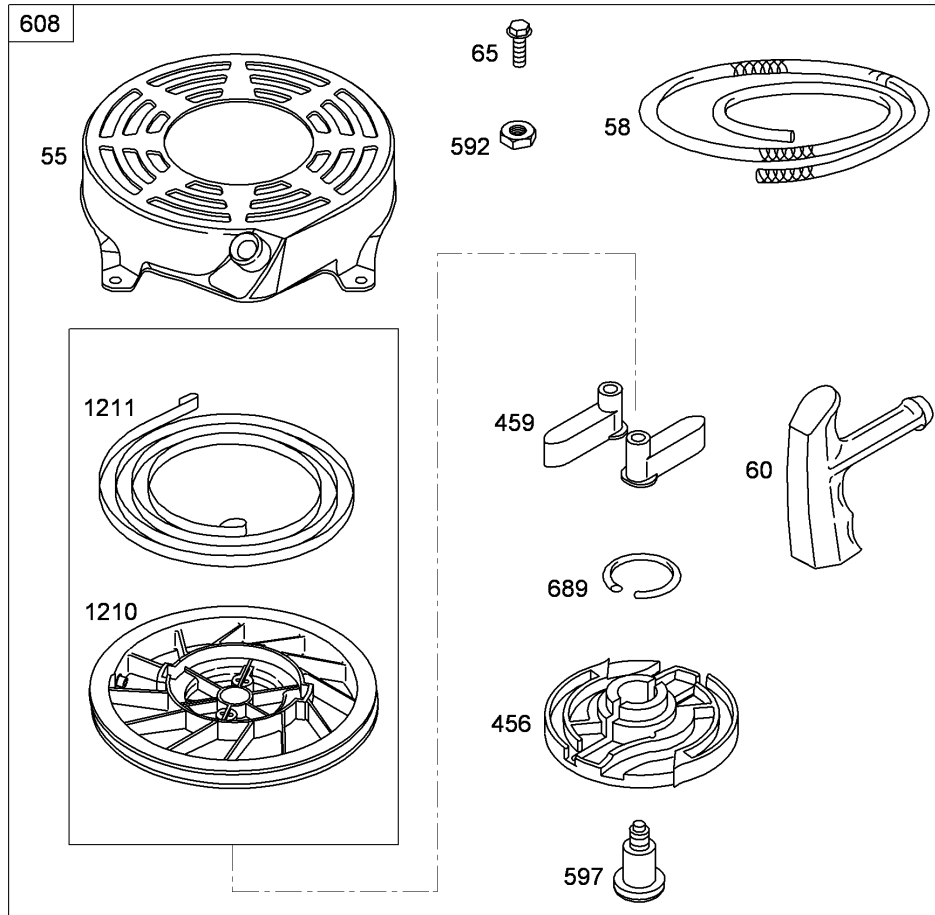


Assemblies include all parts shown in frames

Muffler and Fuel Tank Assembly Briggs and Stratton 126T02-0237-B1

Ref	Part No.	Qty.	Description
281	691740	1	Lock-Screw, Muffler
2187	791766	1	Line-Fuel (Cut To Required Length)
2190	690940	1	Screw (Fuel Tank)
2291	790830	1	Thermostat
2300	692038	1	Muffler
2601	791850	1	Clamp-Hose
2613	691340	1	Screw (Muffler)
2670	692294	1	Spacer-Tank, Fuel
2676	493871	1	Deflector-Muffler
2677	690661	1	Screw (Muffler Deflector)
2883	691881	1	Gasket-Exhaust
2957	699985	1	Cap-Tank, Fuel
2972	699374	1	Tank-Fuel
21059	692311	1	Screw And Washer Kit
21386	790848	1	Vane-Air
21387	790849	1	Spring-Vane, Air
21388	790850	1	Screw (Air Vane)

--	--	--	--



Assemblies include all parts shown in frames

Starter Assembly Briggs and Stratton 126T02-0237-B1

Ref	Part No.	Qty.	Description
●55	691421	1	Housing-Starter, Rewind
●58	697316	1	Rope-Starter (Cut To Required Length)
●60	281434s	1	Grip-Rope, Starter
●65	690837	1	Screw (Rewind Starter)
●456	692299	1	Plate-Friction, Pawl
●459	281505s	1	Ratchet-Pawl
●592	690800	1	Nut (Rewind Starter)
●597	691696	1	Screw (Pawl Friction Plate)
●608	497680	1	Starter-Rewind
●689	691855	1	Spring-Friction
●1210	498144	1	Pulley And Spring ASM (Pulley)
●1211	498144	1	Pulley And Spring ASM (Spring)

--	--	--	--

Attachments and Accessories

For 20093C - Super Recycler Lawn Mower

Product Name	Model/Part
Bagging Blade	108-3759-03
Traction Assist Handle Kit	108-8120
Toro Walk Mower Cover	490-7462
Plain Walk Mower Cover	490-7463
Dethatcher Kit	59131

