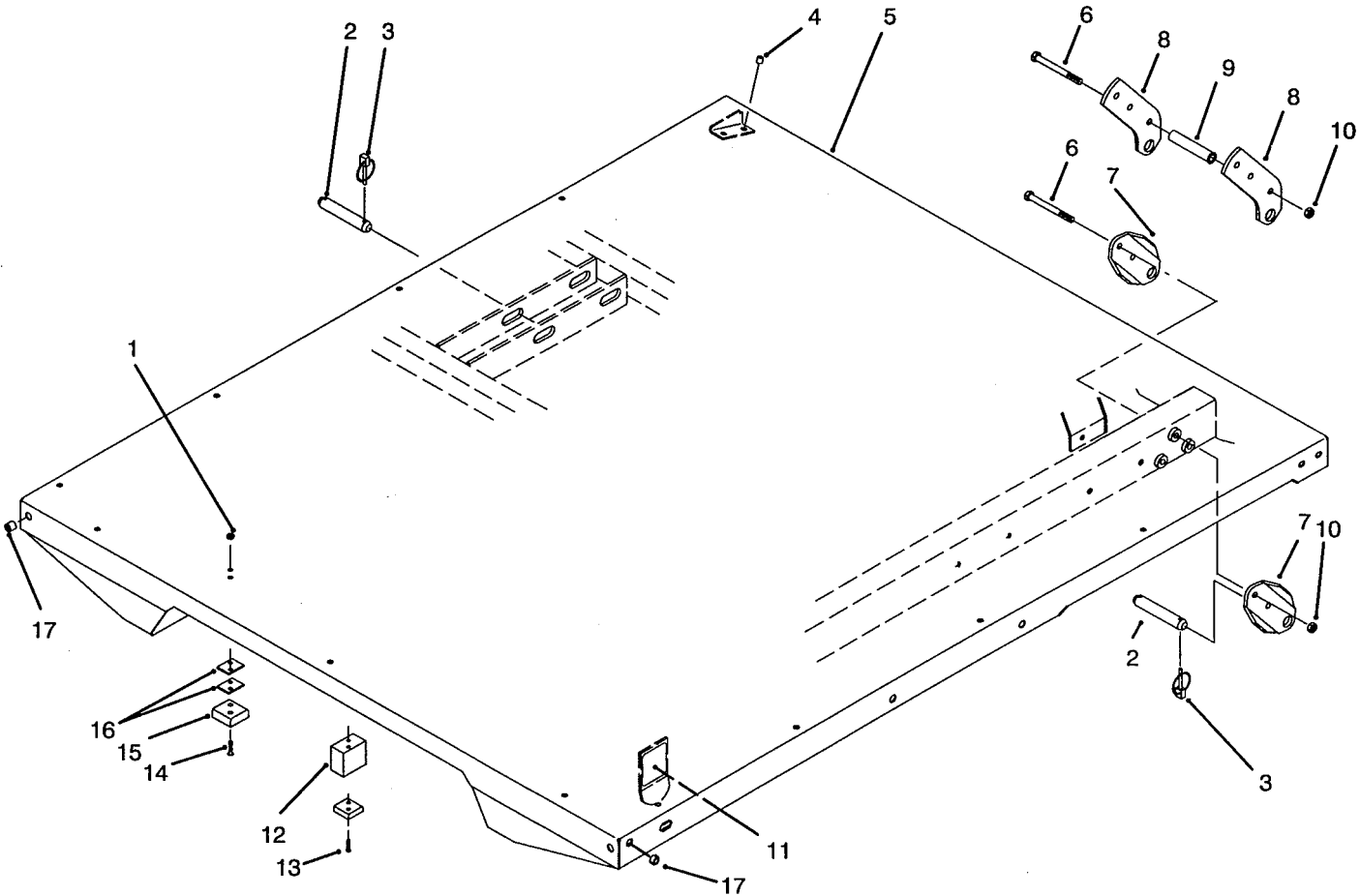




MODEL NO. 07301	PARTS CATALOG
FULL AREA FLATBED KIT For Workman 3000 Series	



T-1548A

FULL AREA FLATBED ASSEMBLY

Ref. No.	Part No.	Description	No. Used
1	3296-2	Nut - Lock	4
2	92-1233	Pin - Clevis	4
3	92-1298	Pin - Lynch	8
4	32148-6	Insert - Threaded	4
5		Bed	1
6	323-42	Screw - Cap Hex. Hd.	4
†6	323-42	Screw - Cap Hex. Hd.	6
7	92-1278	Plate - Flatbed	4
†8	92-1279	Plate - Bed Pivot	4
†9	92-1208	Spacer - Pivot Plate	2

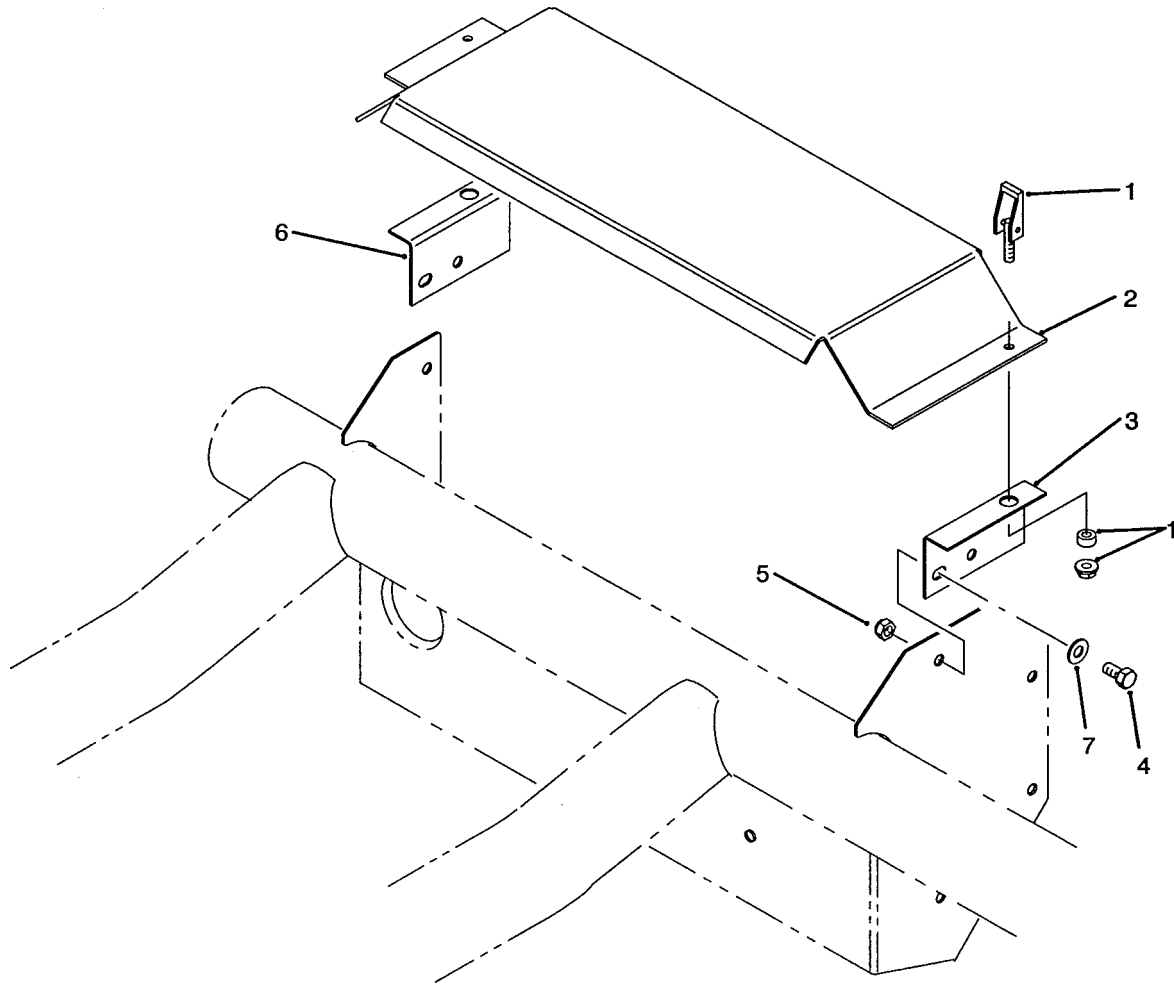
Ref. No.	Part No.	Description	No. Used
10	3296-44	Nut - Lock	4
†10	3296-44	Nut - Lock	6
11	92-1312	Decal - Warning	2
†12	92-5950	Block - Spacer	2
†13	3250-30	Screw - Pan Hd.	4
14	32122-28	Screw - Truss Hd.	4
15	92-1321	Block - Spacer	2
16	42-6200	Shim - Cushion	4
17	32148-7	Insert - Threaded	4

*Not Illustrated

†Used on Workman 3300D Only

© The TORO Company -1993
All Rights Reserved

TPS



T-1565

RADIATOR COVER ASSEMBLY

Ref. No.	Part No.	Description	No. Used
1	74-5950	Latch - Swell	2
2	92-1307	Cover - Radiator	1
3	92-1313	Bracket - Cover LH	1
4	322-2	Screw - Cap Hex. Hd.	4

Ref. No.	Part No.	Description	No. Used
5	3296-29	Nut - Lock	4
6	92-1314	Bracket - Cover RH	1
7	3256-23	Washer - Flat	4