



## Power Clear Snowthrower

Model No. 38582 - 280000001 and up.

### Parts Catalog

---

#### Ordering Replacement Parts

To order replacement parts, please supply the part number, the quantity, and the description of each part desired.

#### Understanding Reference Numbers

Each identified part in an illustration has a reference number. The reference number for a part also appears in the parts list, along with other information about the part.

This catalog uses two special reference number formats, one to indicate parts in a service assembly and another to indicate the quantity of a given part in an illustration.

#### Service Assembly Reference Numbers

Parts in service assemblies have reference numbers in the form a:b. The a represents the reference number of the entire service assembly and the b represents a sequential number unique to each part within the service assembly.

For example, a wheel assembly might be identified by reference number 6, the tire by 6:1, the valve by 6:2, and the wheel by 6:3. When you order the assembly identified by reference number 6, you receive all parts identified by reference numbers 6:1, 6:2, and 6:3. However, you may also order any part individually. Reference numbers of this type appear in illustrations and in part lists.

#### Reference Numbers Indicating Quantity

In an illustration, if a reference number indicates more than one part, the reference number has the form nX y. The n represents the quantity of the part, the X is the multiplication symbol, and the y represents the reference number.

For example, in an illustration, the reference number 2X 37 means that two of the parts identified by reference number 37 are indicated.

## Contents

Description	Page	Description	Page
Rotor Housing and Scraper Assembly	..... 3	Cylinder, Piston and Connecting Rod Assembly Briggs and Stratton 084233-0199-E8	..... 10
Rotor Drive Assembly	..... 4	Muffler, Carburetor and Intake Manifold Assembly Briggs and Stratton 084233-0199-E8	..... 11
Chute Assembly	..... 5	Flywheel, Blower Housing and Starter Assembly Briggs and Stratton 084233-0199-E8	..... 12
Rotor Assembly	..... 6	Attachments and Accessories List	..... 13
Engine, Frame and Wheel Assembly	..... 7		
Shroud and Control Panel Assembly	..... 8		
Handle Assembly	..... 9		

## Part Description Abbreviations

Part descriptions in this catalog may include the following abbreviations.

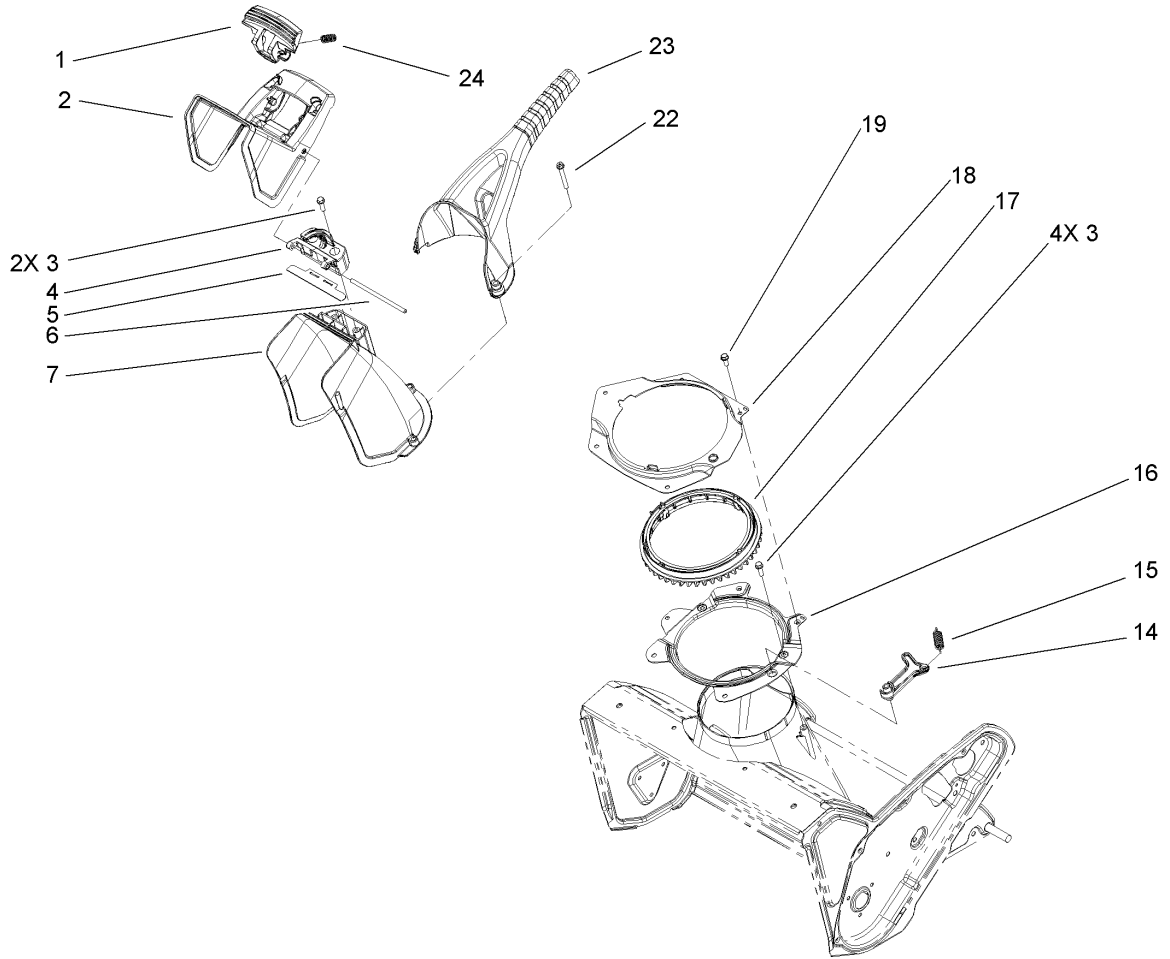
AR. .... as required	HYD. .... hydraulic
ASM. .... assembly	LH. .... left hand
BBC. .... blade brake clutch	NI. .... nylon insert
CARR. .... carriage	NPTF. .... national pipe thread fine
DEG. .... degrees	PFH. .... phillips flat head
EXT. .... external	PPH. .... phillips pan head
FH. .... flat head	PPHTF. .... phillips pan head thread forming
GA. .... gauge	PRH. .... phillips round head
HD. .... heavy-duty	PTH. .... phillips truss head
HF. .... hex flange	PTO. .... power-take-off
HH. .... hex head	RH. .... right hand
HHF. .... hex head flange	ROPS. .... roll-over protection system
HHFTF. .... hex head flange thread forming	SFH. .... slotted fillister head
HJ. .... hex jam	SHH. .... slotted hex head
HLH. .... hex lag head	SHWH. .... slotted hex washer head
HOC. .... height-of-cut	SPH. .... slotted pan head
HSBH. .... hex socket button head	SQH. .... square head
HSFH. .... hex socket flat head	SRH. .... slotted round head
HSH. .... hex socket head	STD. .... standard
HWH. .... hex washer head	TAP. .... self tapping
HWHTF. .... hex washer head thread forming	TTH. .... torx truss head

## Footnotes

- ❶ Not serviced separately
- ❷ Obtain from your local Briggs & Stratton dealer
- ❸ Included in Carburetor Overhaul Kit (Ref. No. 121)







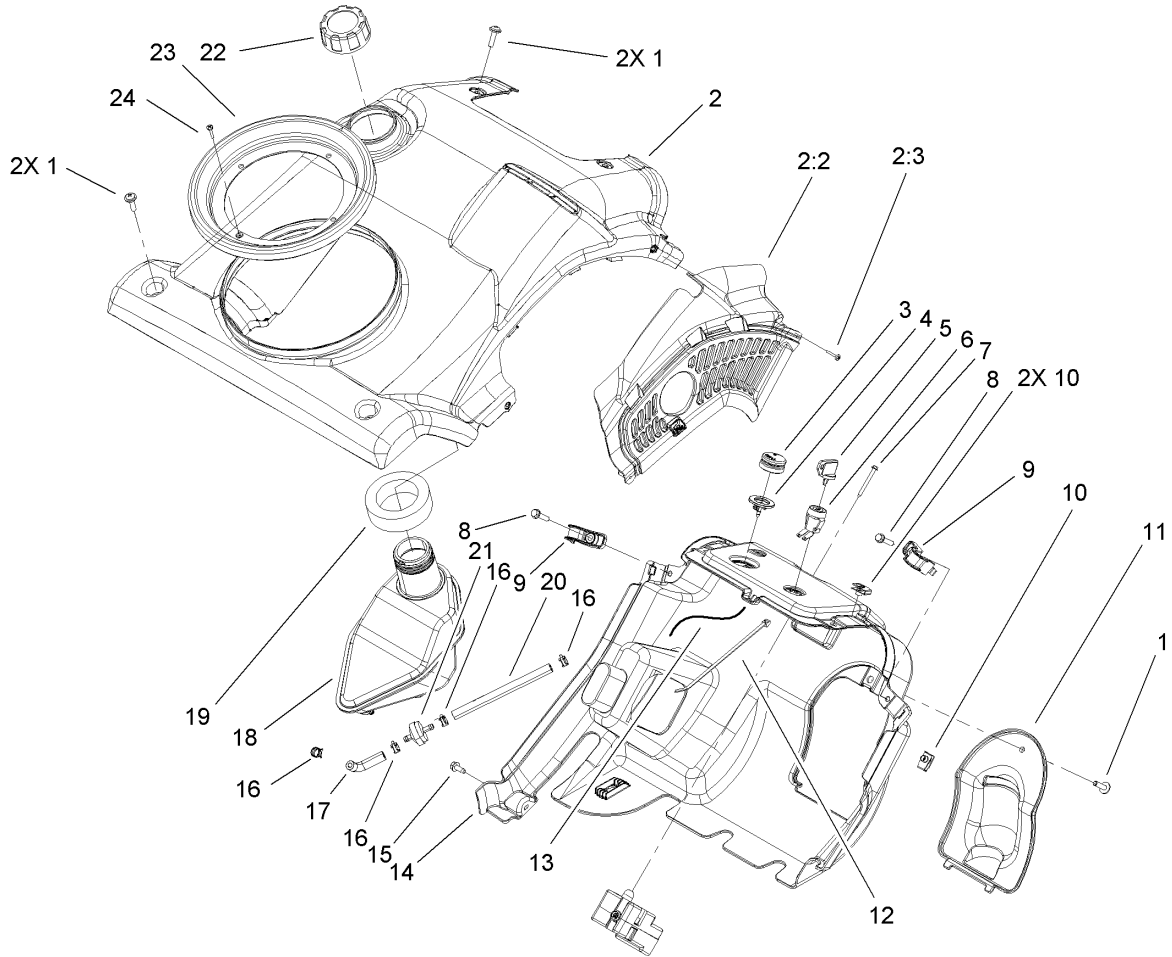
### Chute Assembly

Ref	Part No.	Qty.	Description
1	108-4941	1	Trigger-Deflector
2	108-4940	1	Deflector
3	46-8091	6	Screw-HWH
4	108-4942	1	Hinge-Ratchet, Deflector
5	114-3790	1	Seal-Deflector
6	110-9368	1	Pin-Hinge, Deflector
7	108-4939	1	Chute
14	108-4926	1	Pawl-Detent
15	80-4600	1	Spring-Extension
16	108-4883-03	1	Ring-Support, Chute
17	108-4922	1	Ring-Chute, Detent
18	108-4874-03	1	Retainer-Ring, Chute
19	32144-85	2	Screw-HWH
22	114-3751	3	Screw-HWH, Plastite
23	110-9366	1	Handle-Chute
24	110-9360	2	Spring-Compression

--	--	--	--



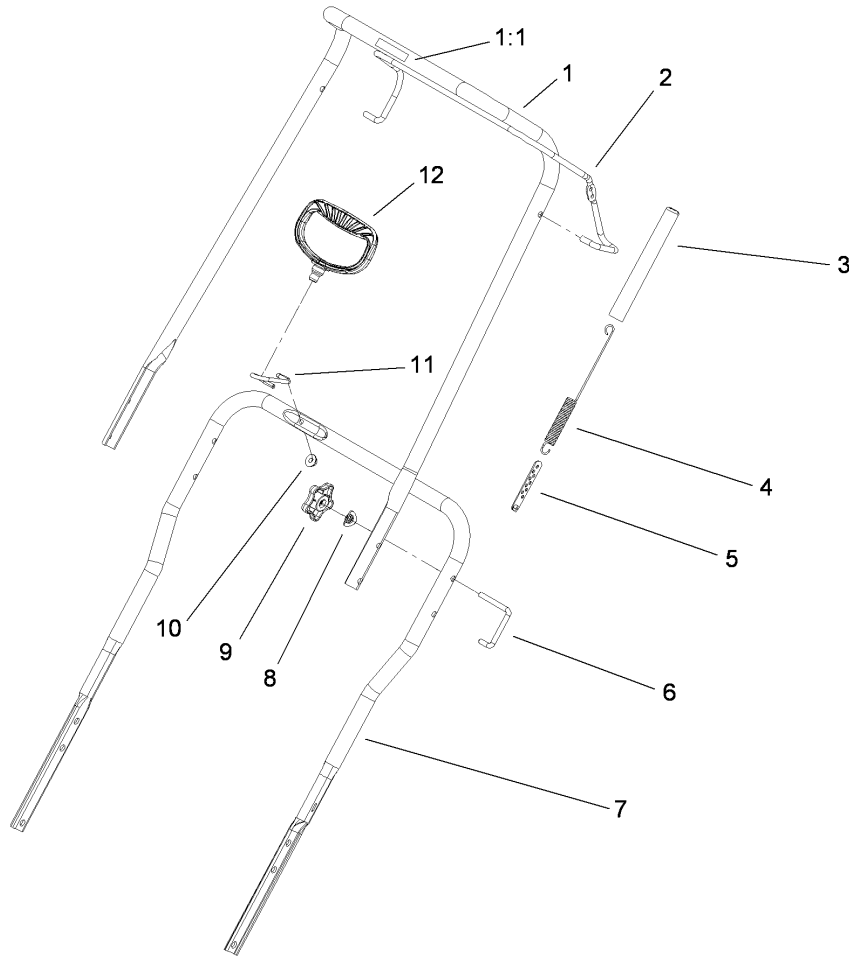




## Shroud and Control Panel Assembly

Ref	Part No.	Qty.	Description
1	110-9361	5	Screw-PPH, Sems
2	114-3758	1	Shroud ASM
2:2	114-3793	1	Baffle-Heat, 2-Cycle
2:3	94-4496	2	Screw-PPH
3	66-7460	1	Bulb-Primer
4	44-2750	1	Body-Primer
5	63-8360	1	Key-Ignition
6	40-5940	1	Switch
7	32144-27	3	Screw-Plastite
8	46-8092	2	Screw-Plastite
9	108-4947	2	Clip-Shroud
10	107069	3	Clip
11	108-4896	1	Panel-Access, Carburetor
12	614249	1	Strap-Tie
13	114-3767	1	Hose-Primer
14	108-4928	1	Shroud-Lower
15	32144-85	1	Screw-HWH
16	2412-98	4	Clamp
17	114-3765	1	Hose-Fuel
18	108-4880	1	Tank-Gas
19	114-3773	1	Seal-Tank
20	114-3766	1	Hose-Fuel
21	56-6360	1	Filter-Fuel
22	104-4133	1	Gas Cap ASM

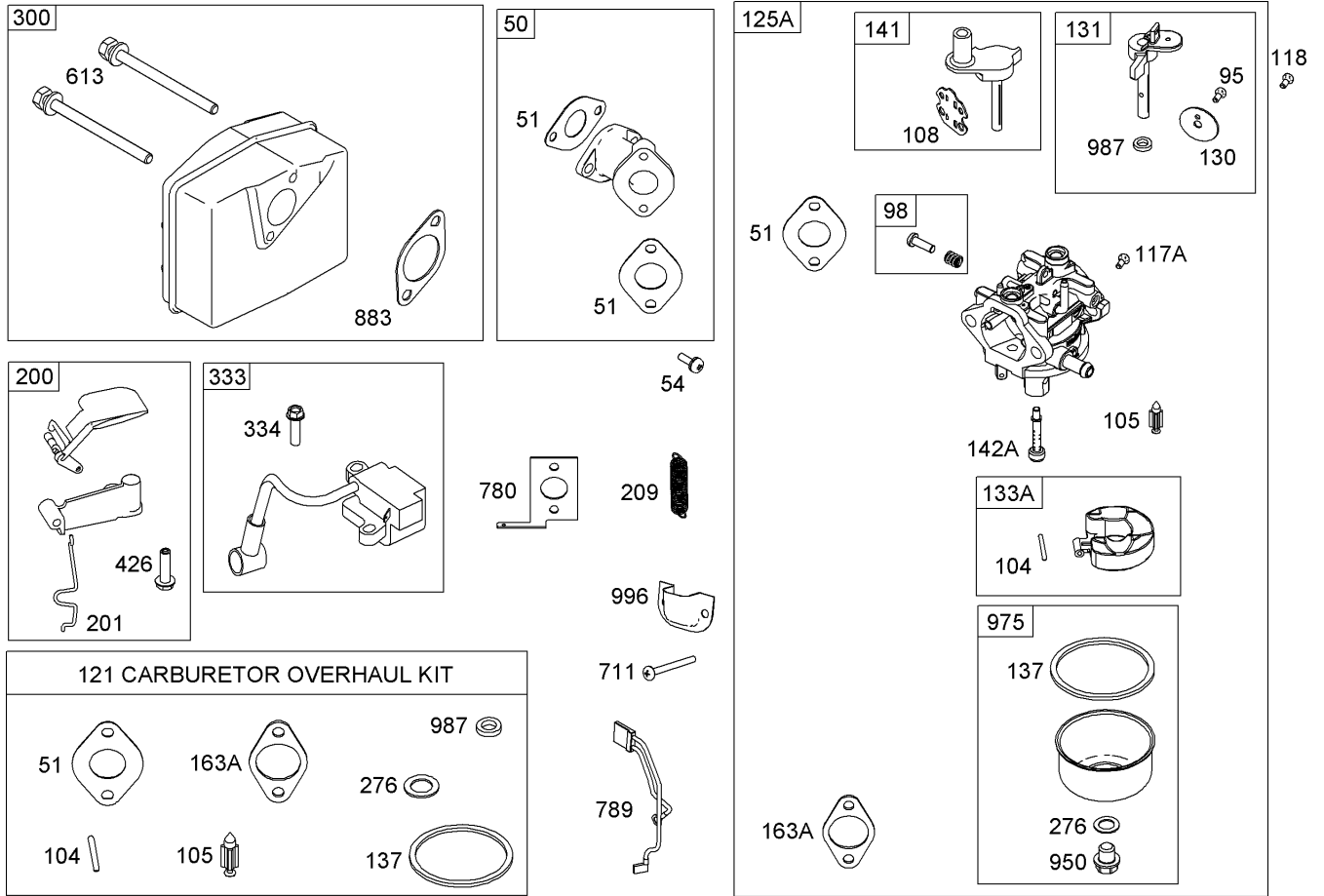
Ref	Part No.	Qty.	Description
23	114-3772	1	Seal-Ring, Chute
24	94-4496	1	Screw-PPH



## Handle Assembly

Ref	Part No.	Qty.	Description
1	114-3768	1	Upper Handle ASM
1:1	94-2577	1	Decal-Drive, Rotor
2	114-3780-03	1	Bail-Control
3	114-3796	1	Cover-Spring
4	108-4920	1	Spring-Extension
5	71-5330	1	Adjuster-Cable, Clutch
6	108-4887	2	Lock-Handle
7	108-4944-03	1	Handle-Lower
8	107-3844	2	Washer
9	106-4161	2	Knob-Handle
10	114-3778	1	Nut-Lock NI
11	108-4949	1	Guide-Rope
12	110-9375	1	Recoil-Handle





Assemblies include all parts shown in frames

## Muffler, Carburetor and Intake Manifold Assembly Briggs and Stratton 084233-0199-E8

Ref	Part No.	Qty.	Description
250	801232	1	Manifold-Intake
251	801224	1	Gasket-Intake
254	801230	1	Screw (Intake Manifold)
295	801415	1	Screw (Throttle Valve)
298	801419	1	Idle Speed ASM
2104	691242	1	Pin-Hinge, Float
2105	801423	1	Valve-Needle, Float
2108	801413	1	Valve-Choke
2117A	801425	1	Jet-Main
2118	801426	1	Jet-Main
2121	801427	1	Carburetor Overhaul Kit
2125A	801396	1	Carburetor
2130	801414	1	Valve-Throttle
2131	801417	1	Throttle Shaft ASM
2133A	801422	1	Float-Carburetor
2137	693981	1	Gasket-Bowl, Float
2141	801418	1	Choke Shaft ASM
2142A	801424	1	Nozzle-Carburetor
2163A	801397	1	Gasket-Cleaner, Air
2200	801289	1	Blade-Governor
2201	801225	1	Link-Vane, Air
2209	801223	1	Spring-Governor
2276	692255	1	Washer-Sealing
2300	801250	1	Muffler

Ref	Part No.	Qty.	Description
2333	801268	1	Armature-Magneto
2334	801267	1	Screw (Magneto Armature)
2426	801231	1	Screw (Governor Blade)
2613	801251	1	Screw (Muffler)
2711	801398	1	Screw (Carburetor Shield)
2780	801228	1	Anchor-Spring
2789	801253	1	Wire ASM
2883	801252	1	Gasket-Exhaust
2950	801421	1	Screw-Bowl, Float
2975	801420	1	Bowl-Float
2987	801416	1	Seal-Shaft, Throttle
2996	801226	1	Shield-Carburetor



# Attachments and Accessories

For 38582 - Power Clear Snowthrower

Product Name

Model/Part

Snow Cab ..... 88-0600

# NOTES

# NOTES

