



CCR™ 6053 Quick Clear Snowthrower

Model No. 38575 - 280000001 and up.

Parts Catalog

Ordering Replacement Parts

To order replacement parts, please supply the part number, the quantity, and the description of each part desired.

Understanding Reference Numbers

Each identified part in an illustration has a reference number. The reference number for a part also appears in the parts list, along with other information about the part.

This catalog uses two special reference number formats, one to indicate parts in a service assembly and another to indicate the quantity of a given part in an illustration.

Service Assembly Reference Numbers

Parts in service assemblies have reference numbers in the form a:b. The a represents the reference number of the entire service assembly and the b represents a sequential number unique to each part within the service assembly.

For example, a wheel assembly might be identified by reference number 6, the tire by 6:1, the valve by 6:2, and the wheel by 6:3. When you order the assembly identified by reference number 6, you receive all parts identified by reference numbers 6:1, 6:2, and 6:3. However, you may also order any part individually. Reference numbers of this type appear in illustrations and in part lists.

Reference Numbers Indicating Quantity

In an illustration, if a reference number indicates more than one part, the reference number has the form nX y. The n represents the quantity of the part, the X is the multiplication symbol, and the y represents the reference number.

For example, in an illustration, the reference number 2X 37 means that two of the parts identified by reference number 37 are indicated.

Contents

Description	Page	Description	Page
Rotor Housing and Scraper Assembly 3	Engine Assembly No. 1 Tecumseh OH195SA-72567G 10
Rotor Drive Assembly 4	Engine Assembly No. 2 Tecumseh OH195SA-72567G 12
Chute Assembly 5	Carburetor Assembly No. 640298 Tecumseh OH195SA-72567G 14
Rotor Assembly 6	Rewind Starter No. 590789 Tecumseh OH195SA-72567G 15
Engine, Frame and Wheel Assembly 7	Attachments and Accessories List 16
Shroud, Control Panel, and Gas Tank Assembly 8		
Handle Assembly 9		

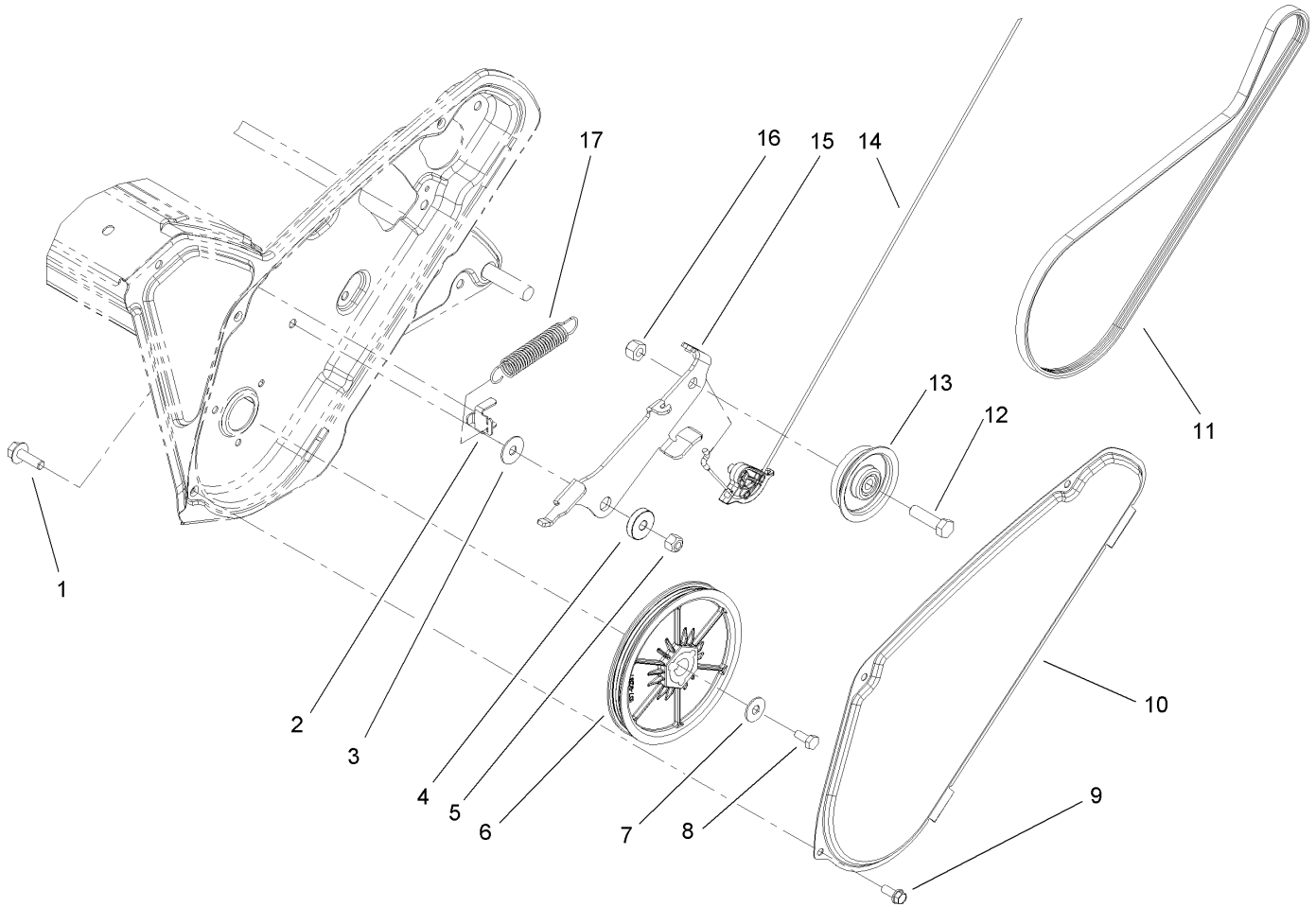
Part Description Abbreviations

Part descriptions in this catalog may include the following abbreviations.

AR. as required	HYD. hydraulic
ASM. assembly	LH. left hand
BBC. blade brake clutch	NI. nylon insert
CARR. carriage	NPTF. national pipe thread fine
DEG. degrees	PFH. phillips flat head
EXT. external	PPH. phillips pan head
FH. flat head	PPHTF. phillips pan head thread forming
GA. gauge	PRH. phillips round head
HD. heavy-duty	PTH. phillips truss head
HF. hex flange	PTO. power-take-off
HH. hex head	RH. right hand
HHF. hex head flange	ROPS. roll-over protection system
HHFTF. hex head flange thread forming	SFH. slotted fillister head
HJ. hex jam	SHH. slotted hex head
HLH. hex lag head	SHWH. slotted hex washer head
HOC. height-of-cut	SPH. slotted pan head
HSBH. hex socket button head	SQH. square head
HSFH. hex socket flat head	SRH. slotted round head
HSH. hex socket head	STD. standard
HWH. hex washer head	TAP. self tapping
HWHTF. hex washer head thread forming	TTH. torx truss head

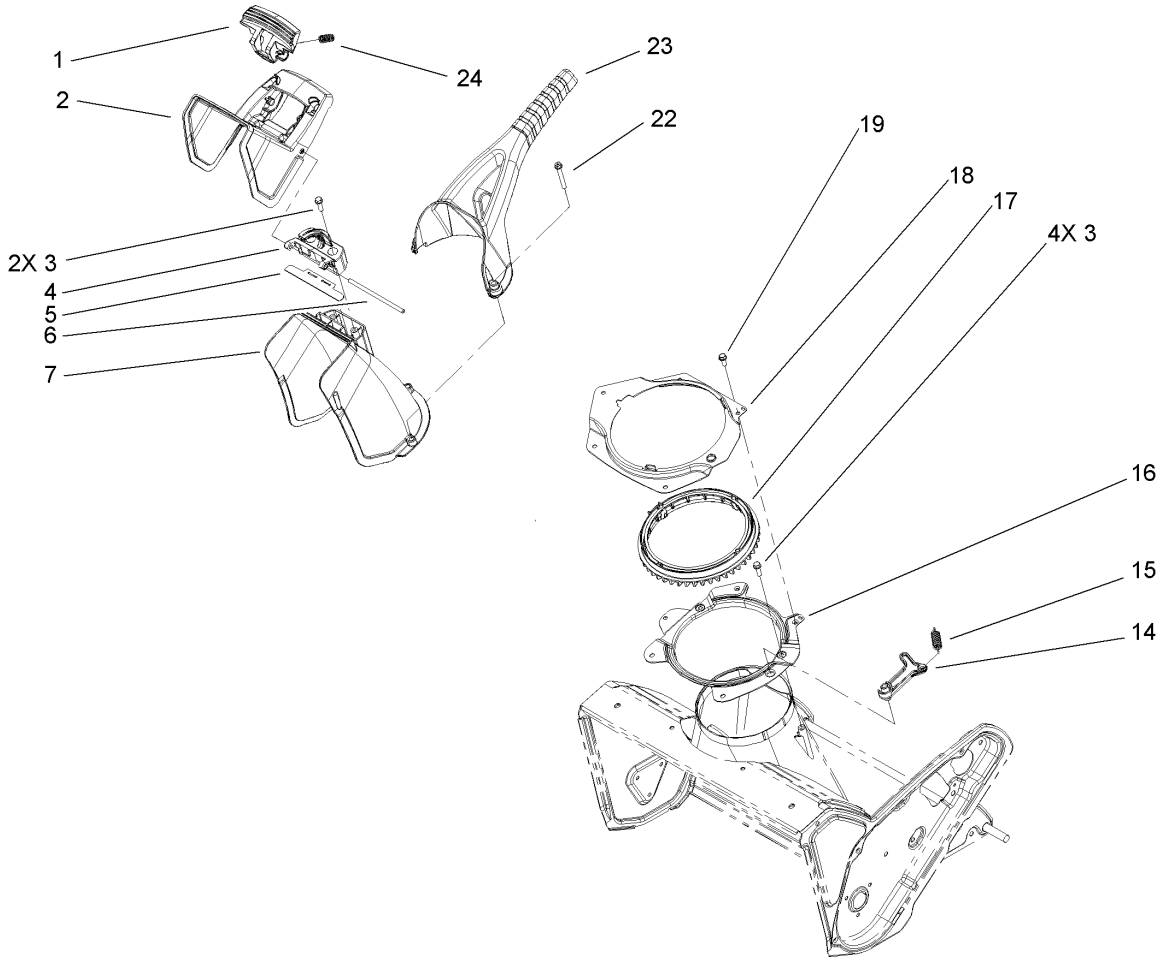
Footnotes

- | | |
|--|---------------------------------|
| ❶ Not illustrated | ❷ Not serviced separately |
| ❸ Obtain from your local Tecumseh dealer | ❹ Included in Repair Kit 632760 |



Rotor Drive Assembly

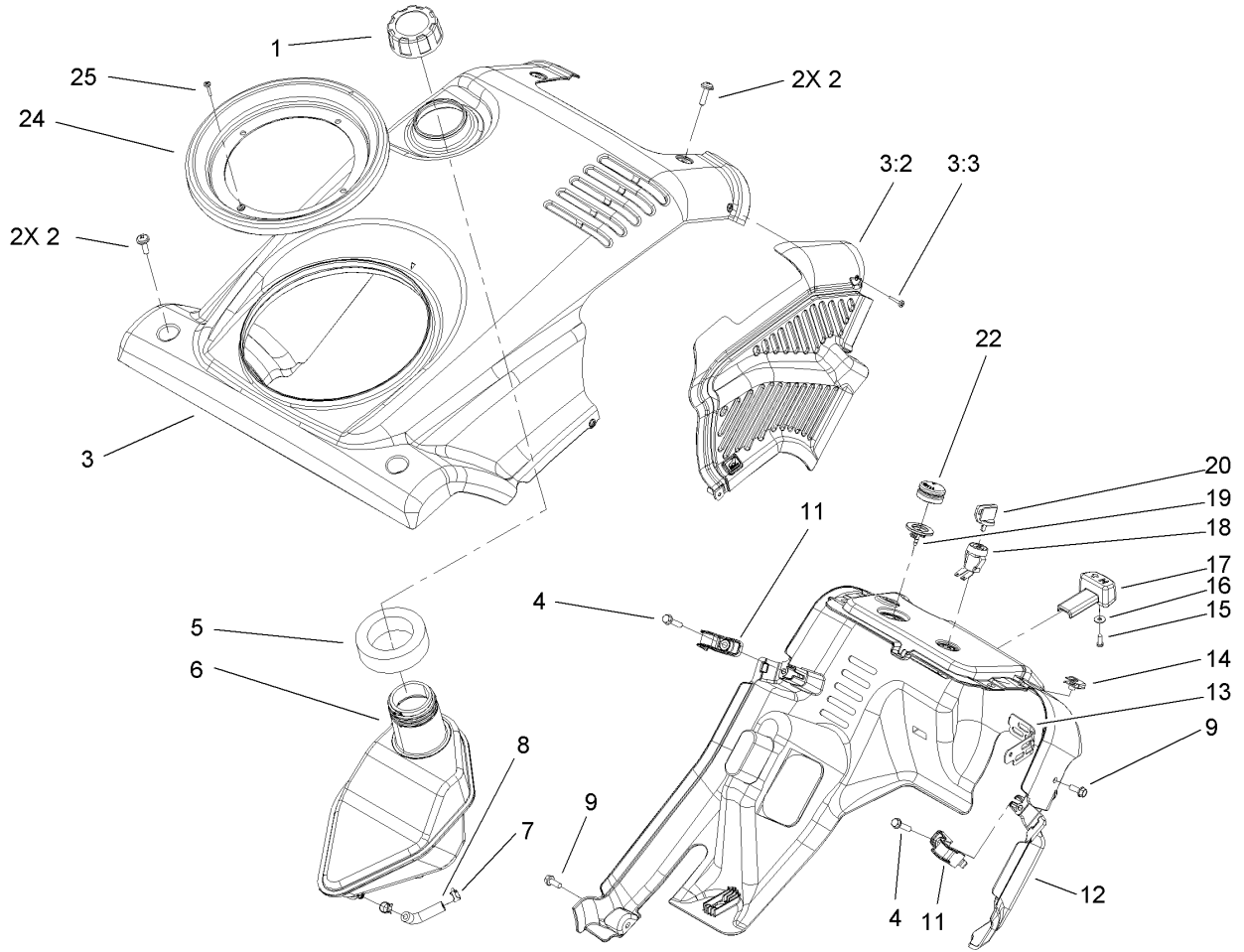
Ref	Part No.	Qty.	Description
1	3234-29	1	Screw-HHF
2	108-4938	1	Clip-Spring, Brake
3	108-4925	1	Washer
4	108-4916	1	Bushing-Pivot
5	3296-29	1	Nut-Lock, NI
6	107-9287	1	Rotor Pulley ASM
7	3290-456	1	Washer-Belleville
8	110-9381	1	Screw-HH
9	32144-85	3	Screw-HWH
10	108-4893-03	1	Cover-Belt
11	108-4921	1	Belt-Drive
12	323-29	1	Screw-HH
13	114-3785	1	Pulley-Idler
14	94-9949	1	Cable-Clutch
15	114-3782	1	Arm-Idler
16	32152-2	1	Nut-Lock, Cone
17	114-3788	1	Spring-Extension



Chute Assembly

Ref	Part No.	Qty.	Description
1	108-4941	1	Trigger-Deflector
2	114-1711	1	Deflector-Chute, Ce
3	46-8091	6	Screw-HWH
4	108-4942	1	Hinge-Ratchet, Deflector
5	114-3790	1	Seal-Deflector
6	110-9368	1	Pin-Hinge, Deflector
7	108-4939	1	Chute
14	108-4926	1	Pawl-Detent
15	80-4600	1	Spring-Extension
16	108-4883-03	1	Ring-Support, Chute
17	108-4922	1	Ring-Chute, Detent
18	108-4874-03	1	Retainer-Ring, Chute
19	32144-85	2	Screw-HWH
22	114-3751	3	Screw-HWH, Plastite
23	110-9366	1	Handle-Chute
24	110-9360	2	Spring-Compression

--	--	--	--



Shroud, Control Panel, and Gas Tank Assembly

Ref	Part No.	Qty.	Description
1	114-3764	1	4-Cycle Gas Cap ASM
2	110-9361	4	Screw-PPH, Sems
3	114-3762	1	Shroud ASM
3:2	114-3794	1	Baffle-Heat, 4-Cycle
3:3	94-4496	2	Screw-PPH
4	46-8092	2	Screw-Plastite
5	114-3773	1	Seal-Tank
6	108-4880	1	Tank-Gas
7	2412-98	2	Clamp
8	114-3765	1	Hose-Fuel
9	32144-85	2	Screw-HWH
11	108-4947	2	Clip-Shroud
12	114-3753	1	Shroud-Lower
13	110-9384-03	1	Guard-Exhaust
14	107069	2	Clip
15	32144-111	1	Screw-PPH
16	3256-49	1	Washer-Flat
17	110-9363	1	Knob-Choke
18	40-5940	1	Switch
19	44-2750	1	Body-Primer
20	63-8360	1	Key-Ignition
22	66-7460	1	Bulb-Primer
24	114-3772	1	Seal-Ring, Chute
25	94-4496	1	Screw-PPH

Engine Assembly No. 1

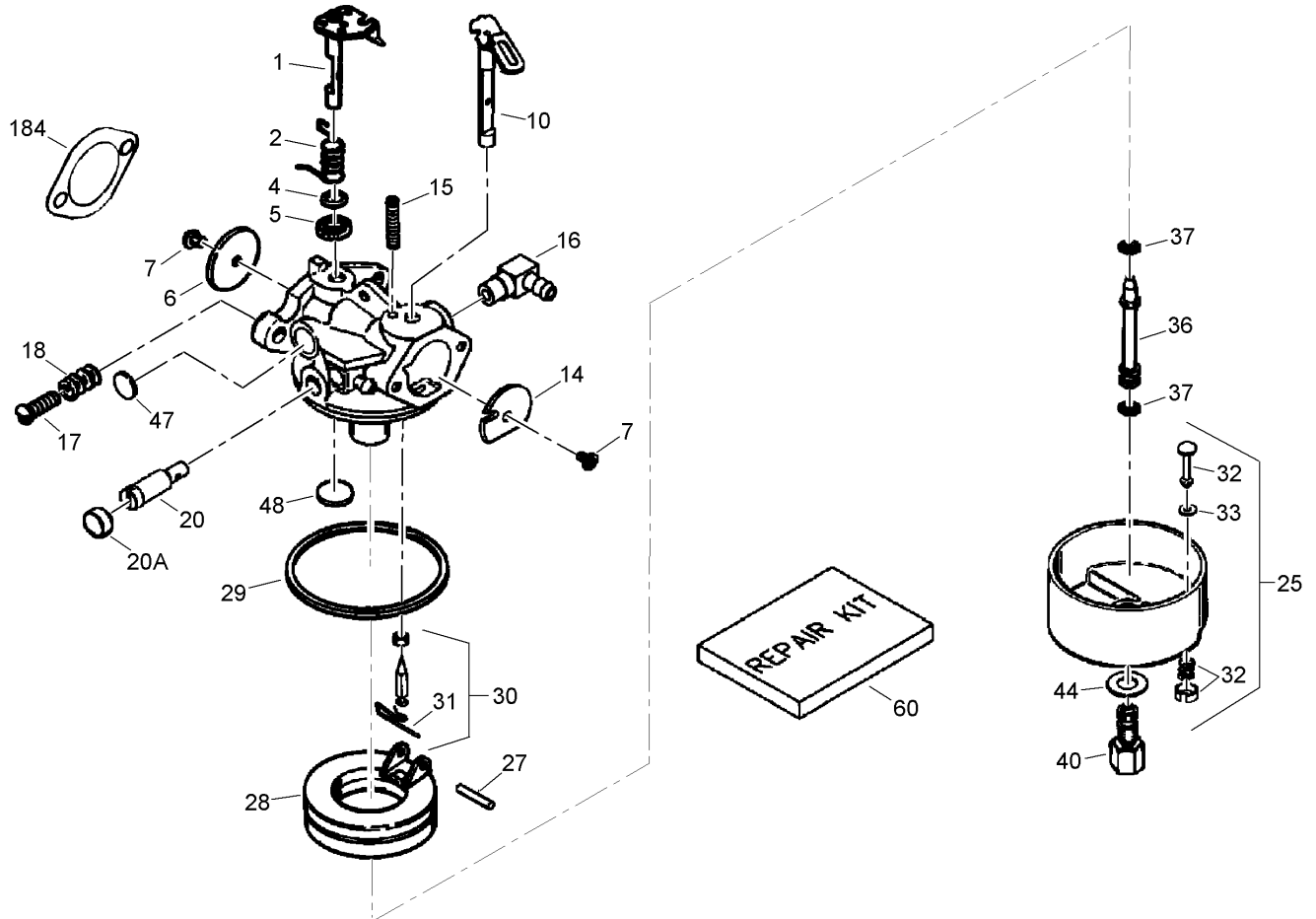
Tecumseh OH195SA-72567G

Ref	Part No.	Qty.	Description	Ref	Part No.	Qty.	Description
①1	37120B	1	Cylinder ASM (Includes 2, 20, 72, 72A)	①120	37474	1	Head-Cylinder (Includes 151A)
①2	26727	1	Pin-Dowel	①125	36472	1	Valve-Exhaust (1/32 O S) (Includes 151)
①14	651052	1	Washer	①125	36471	1	Valve-Exhaust (STD) (Includes 151)
①15	37108	1	Rod-Governor (Includes 38)	①126	37711	1	Valve-Intake (STD) (Includes 151, 151A)
①16	37110	1	Lever-Governor	①130	650912	4	Screw (5/16-18 X 1-1/2)
①19A	36750	1	Spring-Governor	①130A	650999	1	Screw (5/16-18 X 2-41/64)
①20	32600	1	Seal-Oil				
①25D	37710	1	Baffle-Air				
①30	37842	1	Crankshaft				
①35	651053	1	Screw (T-25, 10-32 X 63/64)				
①37	651116	1	Nut-Square				
①38	37109	1	Ring-Retaining				
①40	40005	1	Piston, Pin And Ring Set (.010 O S) (Includes 41, 42, 43)				
①40	40004	1	Piston, Pin And Ring Set (STD) (Includes 41, 42, 43)				
①42	40007	1	Ring Set (.010 O S)				
①42	40006	1	Ring Set (STD)				
①43	20381	2	Ring-Retaining, Piston Pin				
①45	32875A	1	Connecting Rod ASM (Includes 46, 49)				
①46	32610A	2	Bolt-Rod, Connecting				
①48	35616A	2	Lifter-Valve				
①49	36611	1	Dipper-Oil				
①50	37040	1	Camshaft (Includes 150, 253, 254)				
①60	36623A	1	Extension-Housing, Blower				
①62	650760	1	Screw (8-32 X 3/8)				
①65	30200	3	Screw (10-24 X 9/16)				
①66	651027	1	Screw (1/4-20 X 27/32)				
①69	36624	1	Gasket-Cover, Cylinder				
①70	36625	1	Cover-Cylinder (Includes 75-83, 311)				
①72	27642	2	Plug-Drain, Oil (SQH 1/4-18)				
①72A	28582	1	Plug-Pipe (Internal Hex, 1/4-18)				
①75	27897	1	Seal-Oil				
①80	30574A	1	Shaft-Governor				
①81	30590A	1	Washer-Flat				
①82	30591	1	Governor Gear ASM (Includes 81)				
①83	36057	1	Spool-Governor				
①86	650488	8	Screw (1/4-20 X 1-1/4)				
①89	610961	1	Key-Flywheel				
①90	611205	1	Flywheel (Cast Iron)				
①92	650815	1	Washer-Belleville				
①93	650816	1	Nut-Flywheel				
①94	651016	1	Nut (10-32)				
①96	30845A	1	Bolt-Adjusting, R.P.M.				
①100	34443C	1	Ignition-State, Solid				
①101	610118	1	Cover-Spark Plug				
①103	651007	2	Screw (T-15, 10-24 X 15/16)				
①110	37682	1	Wire-Ground				
①119	36719	1	Gasket-Head, Cylinder				

Engine Assembly No. 2

Tecumseh OH195SA-72567G

Ref	Part No.	Qty.	Description	Ref	Part No.	Qty.	Description
③135	34645	1	Spark Plug-Resistor (R N 4C)	③600	651013	1	Washer
③150	37039	2	Spring-Valve	③701	651008	13	Screw (1/4-20 X 31/64)
③151	31673	2	Cap-Valve, Spring	①③999	730286	1	Winter Maintenance Kit (S A E 5W30 Oil)
③151A	40016A	1	Seal-Valve, Intake	①③	754345	1	Replacement-Block, Short
③153	36649	1	Guide-Rod, Push				
③154	650913	1	Stud-Arm, Rocker				
③155	35624A	1	Arm-Rocker				
③157	650914	1	Nut (1/4-28)				
③158	36629	2	Rod-Push				
③159	35626	1	Gasket-Cover, Rocker Arm				
③160	36630B	1	Cover-Arm, Rocker				
③173	36675A	1	Breather Tube				
③182	650451	4	Screw (1/4-20 X 1)				
③183	36867	1	Bracket-Choke				
③184	26756	1	Gasket (Carburetor To Intake Pipe)				
③185	36631	1	Pipe-Intake				
③186B	36652	1	Spring-Choke				
③200	37123	1	Bracket-Control				
③207	36632	1	Link-Throttle				
③219	36868	1	Rod-Choke				
③222	651081	2	Screw (10-32 X 15/32)				
③224	36581	1	Gasket-Pipe, Intake				
③229	650852	2	Nut (1/4-20)				
③253	36701	1	Weight-Release, Compression				
③254	36702	1	Spring-Release, Compression				
③260	37705A	1	Housing-Blower				
③275	37595A	1	Muffler (Carburetor Side Discharge)				
③275A	36663	1	Deflector-Muffler				
③277	650988	2	Screw (1/4-20 X 2-9/32)				
③281	36907A	1	Cover-Bubble, Starter				
③282	651035	1	Screw (6-32 X 25/64)				
③285	35985C	1	Cup-Starter				
③290	37963	1	Line-Fuel, Low Permeation (16.0)				
③292	26460	2	Clamp-Line, Fuel				
③296	37768	1	Filter-Fuel (Includes 292)				
③310A	36678	1	Dipstick (Includes 312)				
③311	34245	1	Plug-Fill, Oil (Includes 312)				
③312	29673	2	Gasket-Plug, Oil Fill				
③313	34080	1	Spacer				
③335	36873A	1	Cover-Carburetor				
③338	650821	6	Screw (10-32 X 1/2)				
③338A	28942	1	Screw (10-32 X 3/8)				
③351	37683	1	Line-Primer				
③364	36872	1	Bracket-Cover, Carburetor				
③370	36695	1	Decal-Tecumseh Logo For Top Of Recoil Starter				
③380	640298	1	Carburetor (Includes 184)				
③390	590789	1	Starter-Rewind				
③400	36720	1	Gasket Set				
③420	730226A	1	Oil-Engine, S A E 5W30				



Carburetor Assembly No. 640298 Tecumseh OH195SA-72567G

Ref	Part No.	Qty.	Description
③	640298	1	Carburetor
③1	631615	1	Throttle Shaft And Lever ASM
③2	631767	1	Spring-Return, Throttle
③44	631184	1	Washer-Seal, Dust
③45	631183	1	Seal-Dust
③6	631036	1	Shutter-Throttle
③47	650506	2	Screw-Shutter
③10	632118	1	Choke Shaft And Lever ASM
③14	631890	1	Shutter-Choke
③15	630735	1	Spring-Positioning, Choke
③16	631807	1	Fitting-Fuel
③17	651025	1	Screw-Throttle Crack And Idle Speed
③18	630766	1	Spring-Tension
③20	640027	1	Screw-Restrictor, Idle
③20A	640053	1	Cap-Screw, Idle Restrictor
③25	631951	1	Float Bowl ASM (Includes 32, 33) (Used Prior To 1/1/2006)
③25	631867	1	Bowl-Float (No Drain) (Used After 1/1/2006)
③427	631024	1	Shaft-Float
③28	632802	1	Float (Plastic)
③429	631028	1	O Ring-Bowl, Float
③430	631021	1	Inlet Needle, Seat And Clip ASM (Includes 31)

Ref	Part No.	Qty.	Description
③31	631022	1	Clip-Spring
③32	27136A	1	Bowl Drain ASM (Used Prior To 1/1/2006)
③433	27554	1	Gasket-Plunger, Drain (Used Prior To 1/1/2006)
③36	640019	1	Tube-Nozzle, Main
③437	632547	2	O-Ring
③40	640059	1	Nut-Bowl, High Speed
③44	27110A	1	Washer-Nut, Bowl
③447	630748	1	Plug-Welch, Idle Mixture Well
③448	631027	1	Plug-Welch, Atmospheric Vent
③60	632760	1	Repair Kit (Includes 4, 5, 7, 27, 29, 30, 33, 37, 47, 48)
③184	26756	1	Gasket

Attachments and Accessories

For 38575 - CCR 6053 Quick Clear Snowthrower

Product Name

Model/Part

Snow Cab 88-0600

NOTES

NOTES

NOTES

