



Power Clear Snowthrower

Model No. 38581 - 280000001 and up.

Parts Catalog

Ordering Replacement Parts

To order replacement parts, please supply the part number, the quantity, and the description of each part desired.

Understanding Reference Numbers

Each identified part in an illustration has a reference number. The reference number for a part also appears in the parts list, along with other information about the part.

This catalog uses two special reference number formats, one to indicate parts in a service assembly and another to indicate the quantity of a given part in an illustration.

Service Assembly Reference Numbers

Parts in service assemblies have reference numbers in the form a:b. The a represents the reference number of the entire service assembly and the b represents a sequential number unique to each part within the service assembly.

For example, a wheel assembly might be identified by reference number 6, the tire by 6:1, the valve by 6:2, and the wheel by 6:3. When you order the assembly identified by reference number 6, you receive all parts identified by reference numbers 6:1, 6:2, and 6:3. However, you may also order any part individually. Reference numbers of this type appear in illustrations and in part lists.

Reference Numbers Indicating Quantity

In an illustration, if a reference number indicates more than one part, the reference number has the form nX y. The n represents the quantity of the part, the X is the multiplication symbol, and the y represents the reference number.

For example, in an illustration, the reference number 2X 37 means that two of the parts identified by reference number 37 are indicated.

Contents

Description	Page	Description	Page
Rotor Housing and Scraper Assembly 3	Cylinder, Piston and Connecting Rod	
Rotor Drive Assembly 4	Assemblies Briggs and Stratton 084232-0121- E8 10
Chute Assembly 5	Muffler, Carburetor and Intake Manifold	
Rotor Assembly 6	Assembly Briggs and Stratton 084232-0121- E8 11
Engine, Frame and Wheel Assembly 7	Flywheel, Blower Housing and Starter	
Shroud and Control Assembly 8	Assemblies Briggs and Stratton 084232-0121- E8 12
Handle Assembly 9	Attachments and Accessories List 13

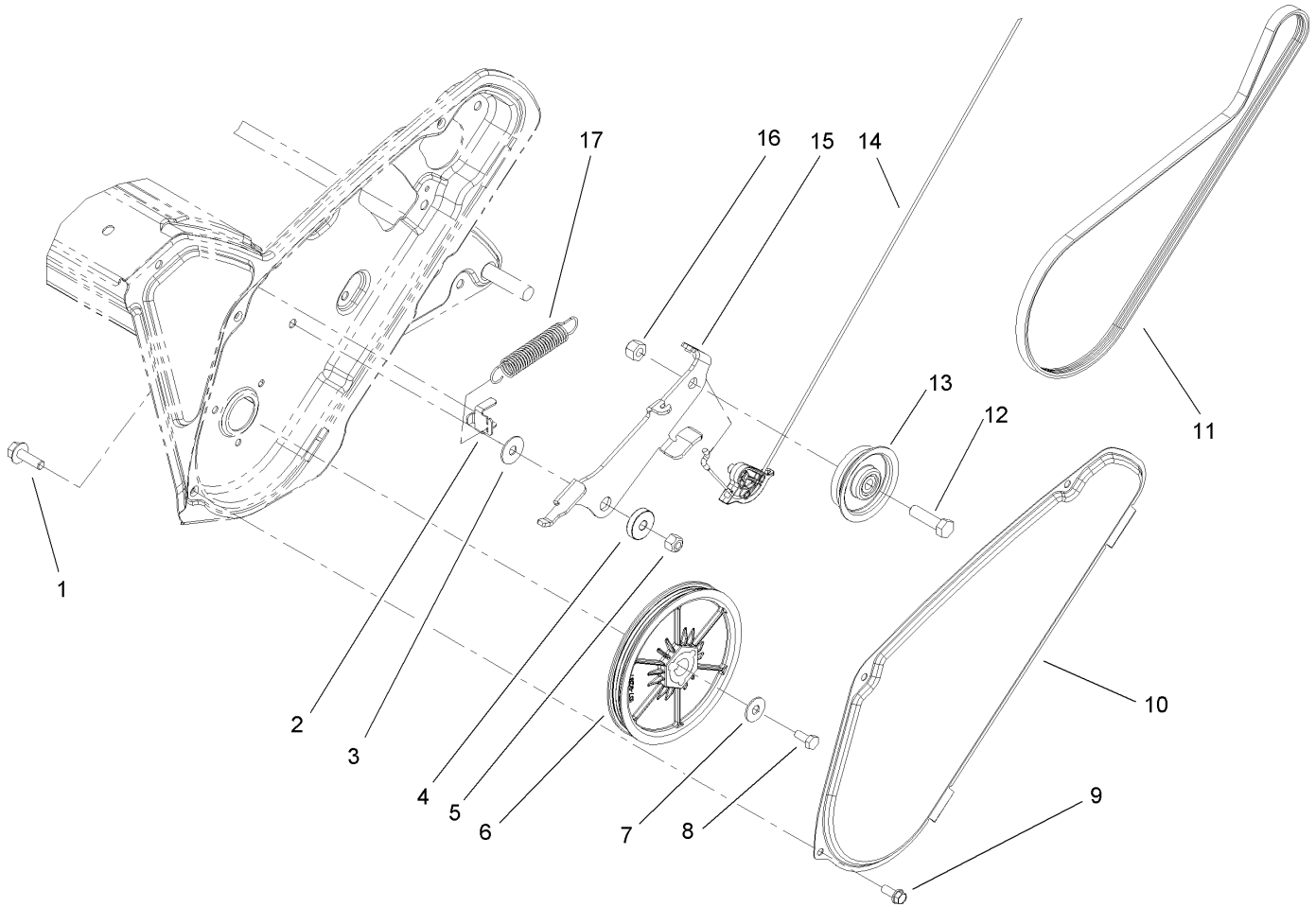
Part Description Abbreviations

Part descriptions in this catalog may include the following abbreviations.

AR. as required	HYD. hydraulic
ASM. assembly	LH. left hand
BBC. blade brake clutch	NI. nylon insert
CARR. carriage	NPTF. national pipe thread fine
DEG. degrees	PFH. phillips flat head
EXT. external	PPH. phillips pan head
FH. flat head	PPHTF. phillips pan head thread forming
GA. gauge	PRH. phillips round head
HD. heavy-duty	PTH. phillips truss head
HF. hex flange	PTO. power-take-off
HH. hex head	RH. right hand
HHF. hex head flange	ROPS. roll-over protection system
HHFTF. hex head flange thread forming	SFH. slotted fillister head
HJ. hex jam	SHH. slotted hex head
HLH. hex lag head	SHWH. slotted hex washer head
HOC. height-of-cut	SPH. slotted pan head
HSBH. hex socket button head	SQH. square head
HSFH. hex socket flat head	SRH. slotted round head
HSH. hex socket head	STD. standard
HWH. hex washer head	TAP. self tapping
HWHTF. hex washer head thread forming	TTH. torx truss head

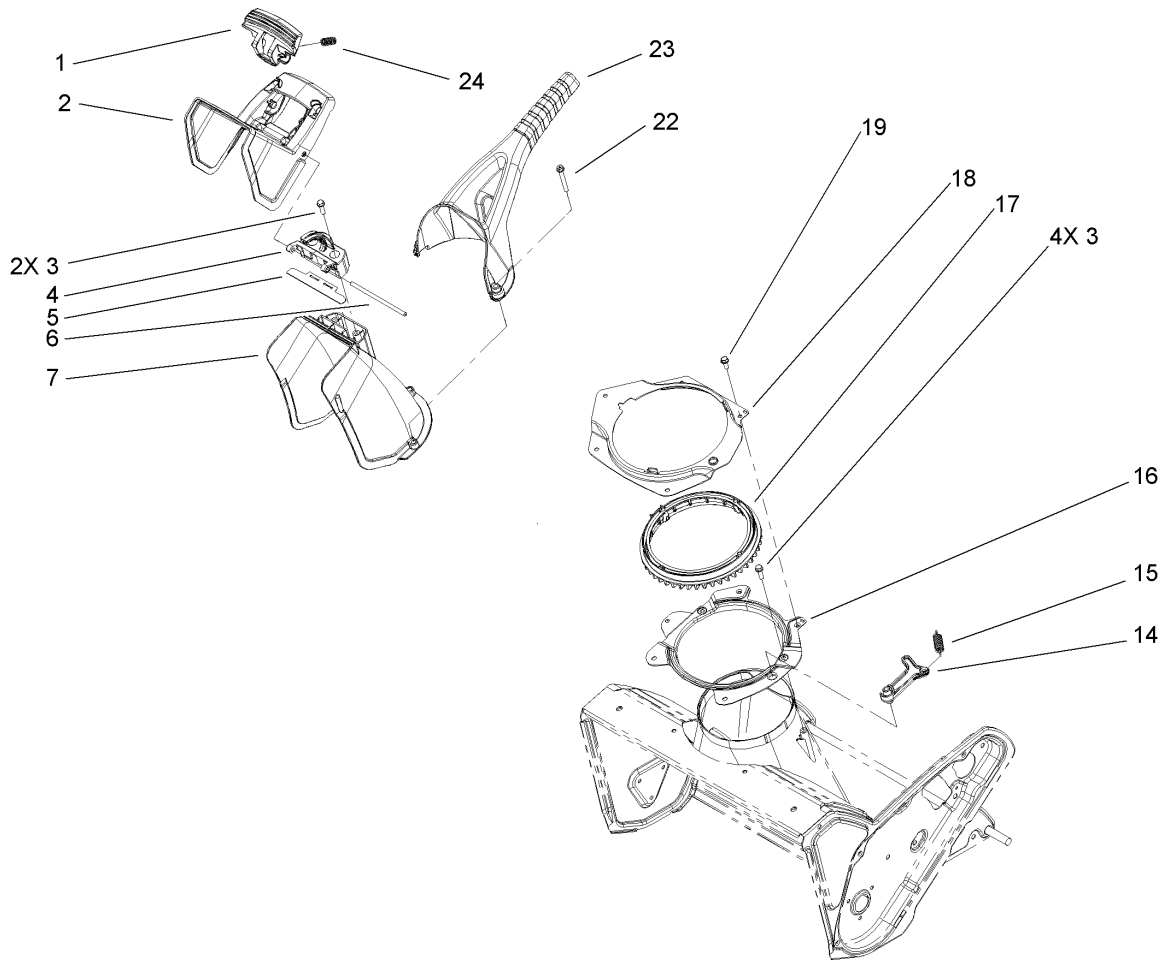
Footnotes

- ❶ Not serviced separately
- ❷ Obtain from your local Briggs & Stratton dealer
- ❸ Included in Carburetor Gasket Set (Ref. No. 977)



Rotor Drive Assembly

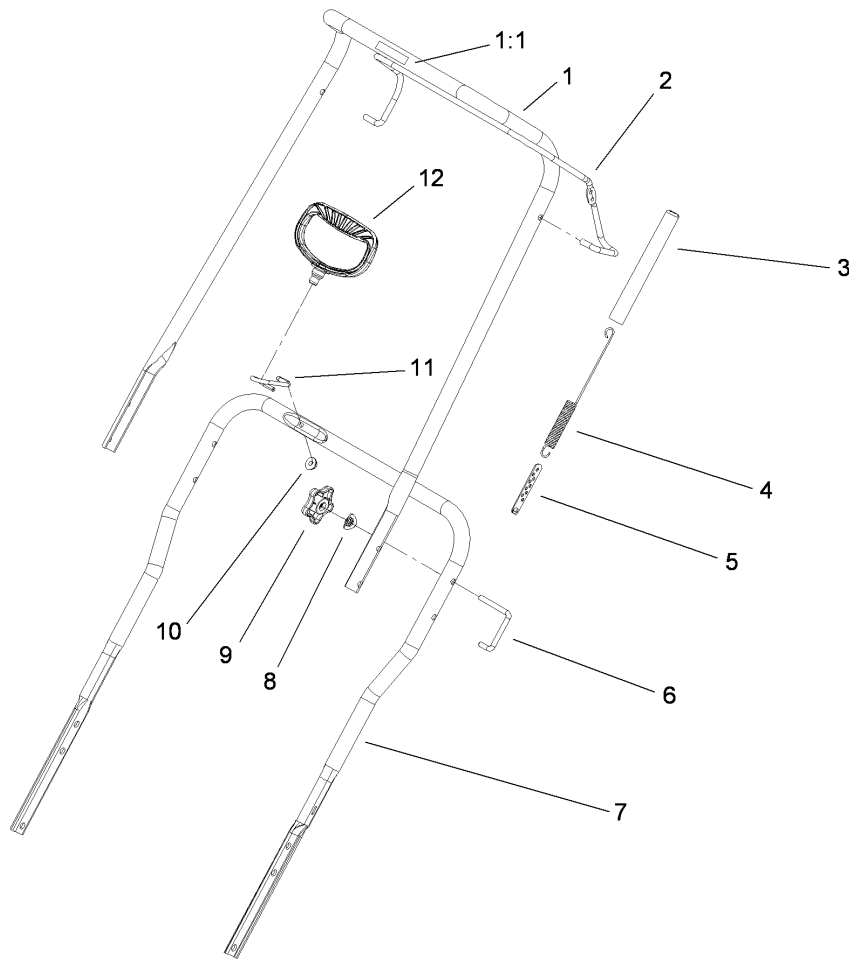
Ref	Part No.	Qty.	Description
1	3234-29	1	Screw-HHF
2	108-4938	1	Clip-Spring, Brake
3	108-4925	1	Washer
4	108-4916	1	Bushing-Pivot
5	3296-29	1	Nut-Lock, NI
6	107-9287	1	Rotor Pulley ASM
7	3290-456	1	Washer-Belleville
8	110-9381	1	Screw-HH
9	32144-85	3	Screw-HWH
10	108-4893-03	1	Cover-Belt
11	108-4921	1	Belt-Drive
12	323-29	1	Screw-HH
13	114-3785	1	Pulley-Idler
14	94-9949	1	Cable-Clutch
15	114-3782	1	Arm-Idler
16	32152-2	1	Nut-Lock, Cone
17	114-3788	1	Spring-Extension



Chute Assembly

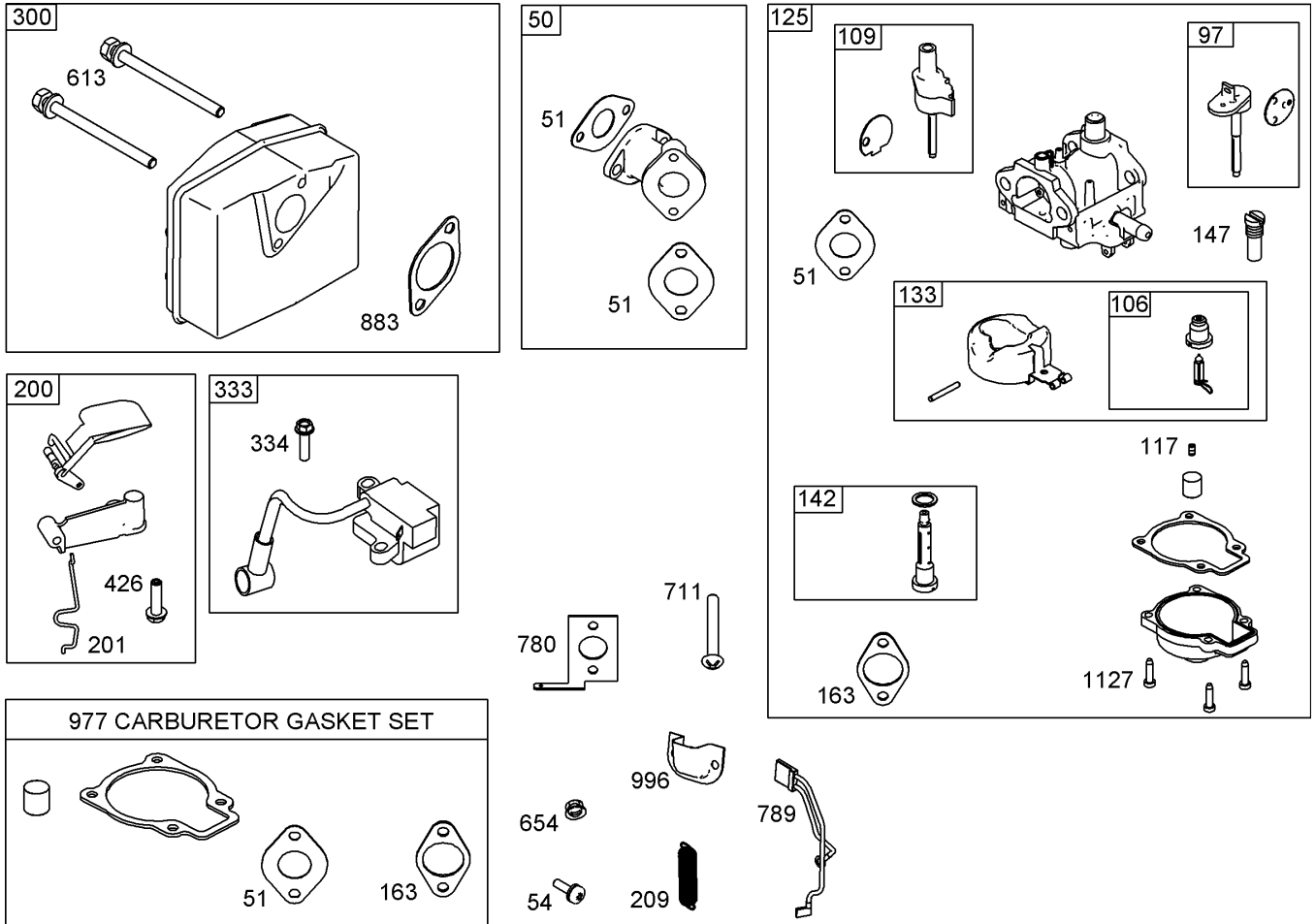
Ref	Part No.	Qty.	Description
1	108-4941	1	Trigger-Deflector
2	108-4940	1	Deflector
3	46-8091	6	Screw-HWH
4	108-4942	1	Hinge-Ratchet, Deflector
5	114-3790	1	Seal-Deflector
6	110-9368	1	Pin-Hinge, Deflector
7	108-4939	1	Chute
14	108-4926	1	Pawl-Detent
15	80-4600	1	Spring-Extension
16	108-4883-03	1	Ring-Support, Chute
17	108-4922	1	Ring-Chute, Detent
18	108-4874-03	1	Retainer-Ring, Chute
19	32144-85	2	Screw-HWH
22	114-3751	3	Screw-HWH, Plastite
23	110-9366	1	Handle-Chute
24	110-9360	2	Spring-Compression

--	--	--	--



Handle Assembly

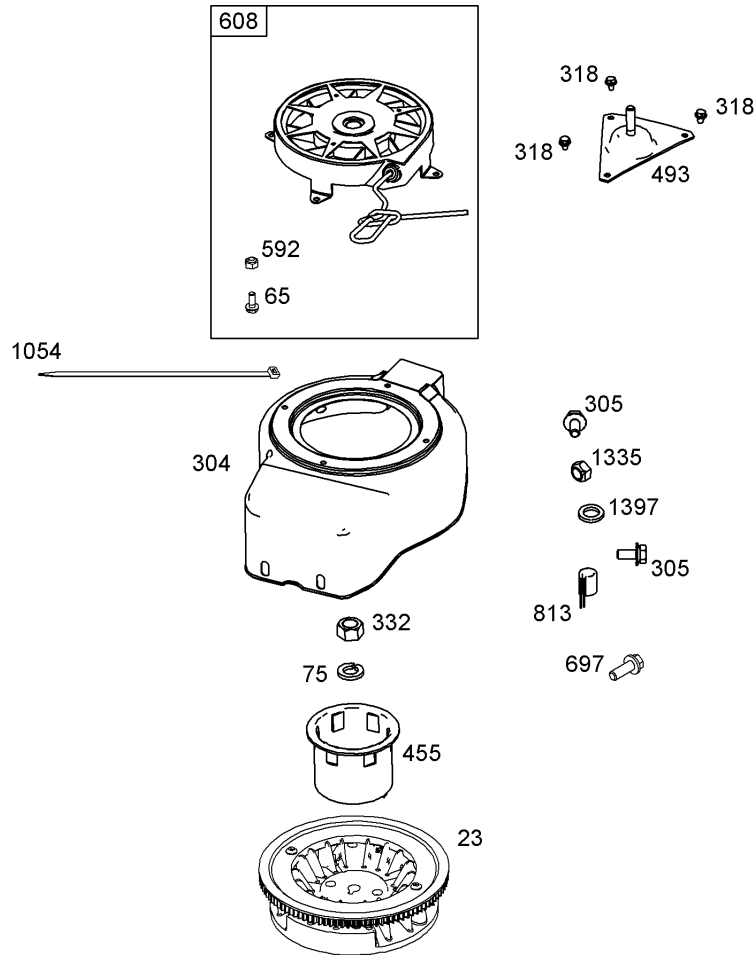
Ref	Part No.	Qty.	Description
1	114-3768	1	Upper Handle ASM
1:1	94-2577	1	Decal-Drive, Rotor
2	114-3780-03	1	Bail-Control
3	114-3796	1	Cover-Spring
4	108-4920	1	Spring-Extension
5	71-5330	1	Adjuster-Cable, Clutch
6	108-4887	2	Lock-Handle
7	108-4944-03	1	Handle-Lower
8	107-3844	2	Washer
9	106-4161	2	Knob-Handle
10	114-3778	1	Nut-Lock NI
11	108-4949	1	Guide-Rope
12	110-9375	1	Recoil-Handle



Muffler, Carburetor and Intake Manifold Assembly Briggs and Stratton 084232-0121-E8

Ref	Part No.	Qty.	Description
250	801232	1	Manifold-Intake
251	801224	1	Gasket-Intake
254	801230	1	Screw (Intake Manifold)
297	801306	1	Shaft-Throttle
2106	801317	1	Seat-Inlet
2109	801307	1	Shaft-Choke
2117	801310	1	Jet-Main (Standard)
2125	801233	1	Carburetor
2133	801316	1	Float-Carburetor
2142	801313	1	Nozzle-Carburetor
2147	801308	1	Jet-Pilot
2163	801227	1	Gasket-Cleaner, Air
2200	801289	1	Blade-Governor
2201	801225	1	Link-Vane, Air
2209	801223	1	Spring-Governor
2300	801250	1	Muffler
2333	801268	1	Armature-Magneto
2334	801267	1	Screw (Magneto Armature)
2426	801231	1	Screw (Governor Blade)
2613	801251	1	Screw (Muffler)
2654	801324	1	Nut (Intake Manifold) (Used Before Code Date 05042800)
2711	801229	1	Screw (Carburetor Shield)
2780	801228	1	Anchor-Spring

Ref	Part No.	Qty.	Description
2789	801253	1	Wire ASM
2883	801252	1	Gasket-Exhaust
2977	801312	1	Carburetor Gasket Set
2996	801226	1	Shield-Carburetor
21127	801318	1	Screw (Float Bowl)



Flywheel, Blower Housing and Starter Assemblies Briggs and Stratton 084232-0121-E8

Ref	Part No.	Qty.	Description
23	801246	1	Flywheel
65	801243	1	Screw (Rewind Starter)
75	801237	1	Washer (Flywheel)
304	801257	1	Housing-Blower
305	801239	1	Screw (Blower Housing)
318	801241	1	Screw (Mounting Bracket)
332	801238	1	Nut (Flywheel)
455	801235	1	Cup-Flywheel
493	801240	1	Bracket-Mounting
592	801244	1	Nut (Rewind Starter)
608	801242	1	Starter-Rewind
697	801248	1	Screw (Starter Motor)
813	801249	1	Clamp
1054	861206	1	Tie-Cable
1335	801269	1	Nut (Blower Housing)
1397	801270	1	Washer (Blower Housing)

Attachments and Accessories

For 38581 - Power Clear Snowthrower

Product Name

Model/Part

Snow Cab 88-0600

NOTES

NOTES

