

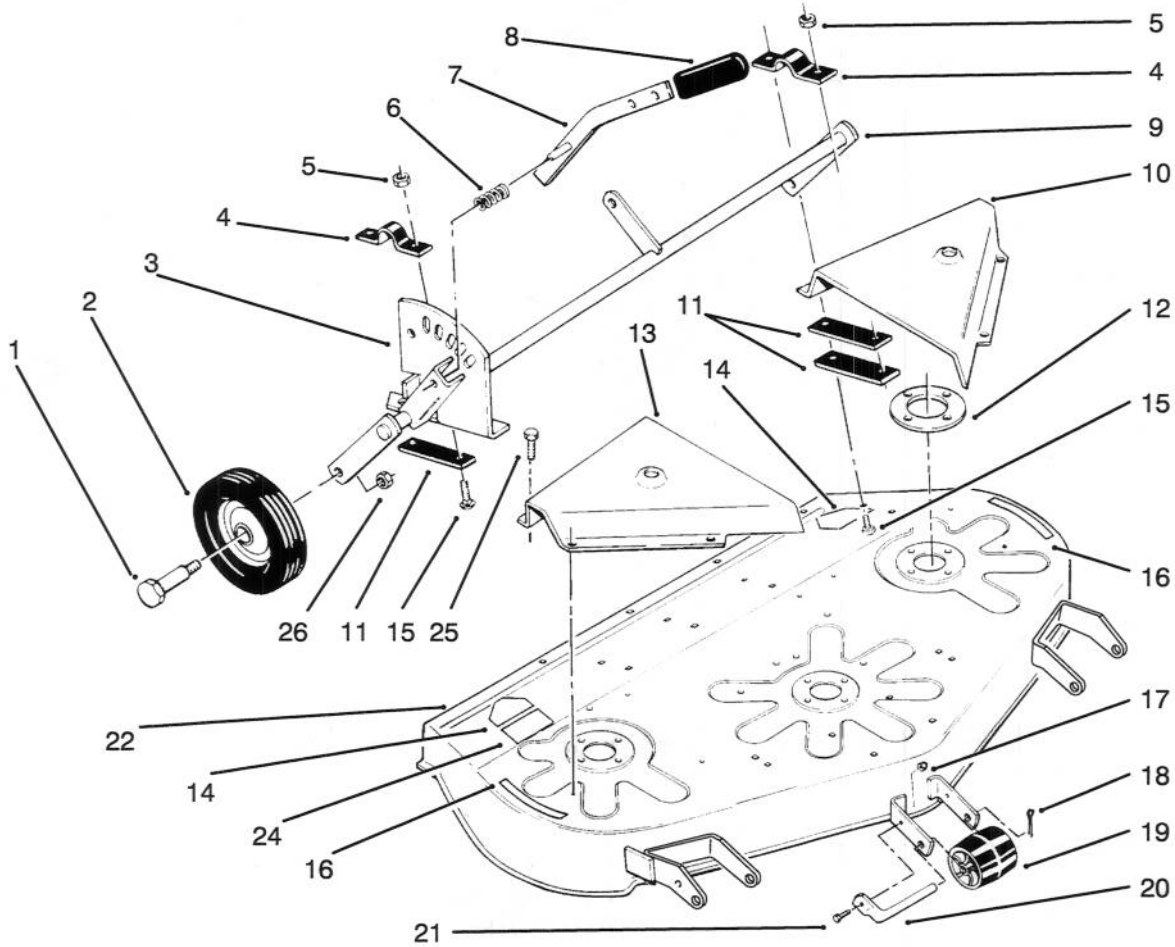


MODEL NO. 78350-3900001 & UP

PARTS CATALOG

WHEEL HORSE®

42" Rear Discharge Mower - Garden Tractor

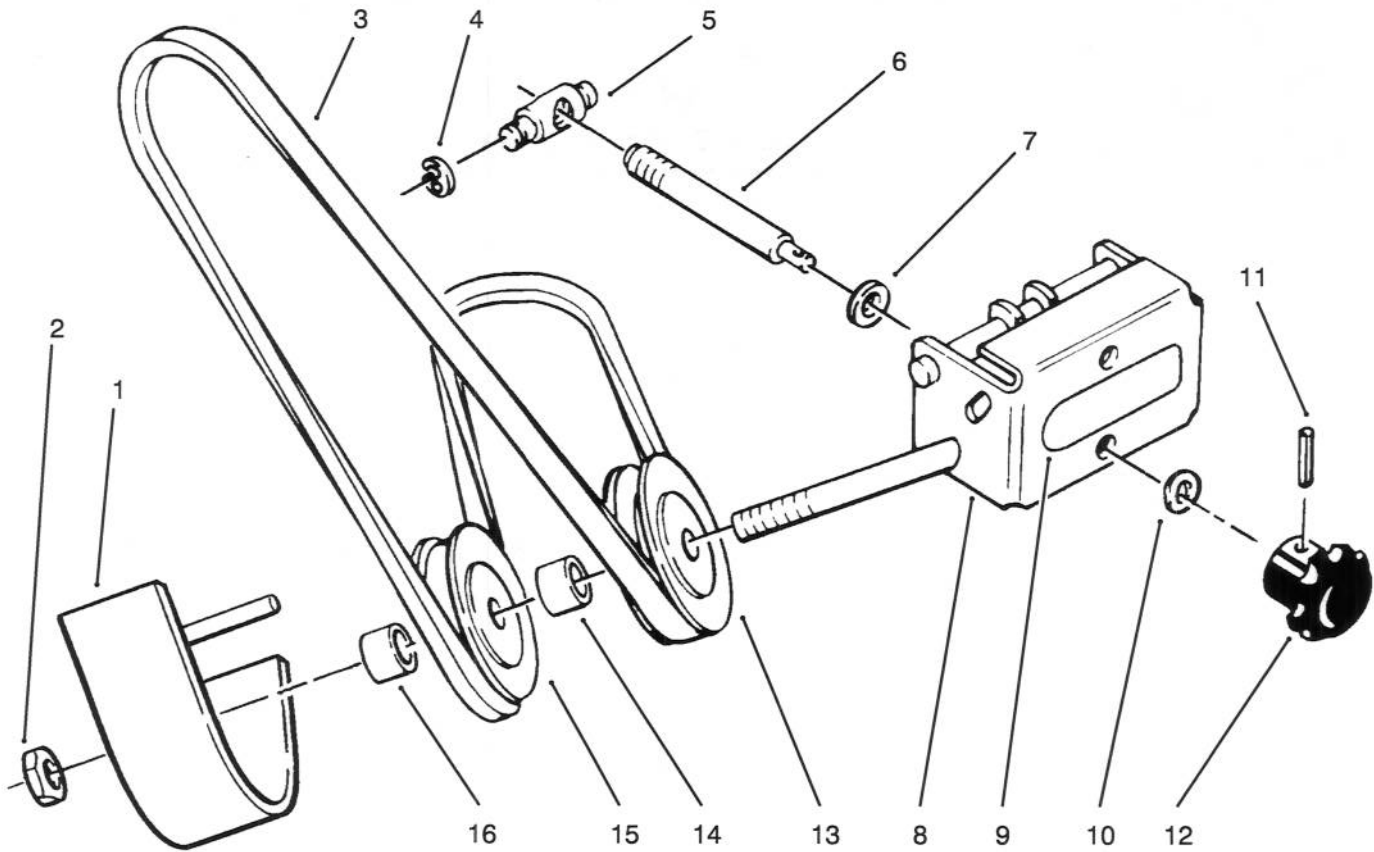


C-0884

DECK & COVER ASSEMBLY

Ref. No.	Part No.	Description	No. Used
1	5188	Bolt - Shoulder	2
2	110506	Wheel	2
3	106392	Quadrant	1
4	110841	Camp	2
5	3296-39	Nut - Lock	4
6	101853	Spring	1
7	115213	Lever	1
8	103712	Grip	1
9	115053	Gauge - Wheel Support	1
10	106638	Cover - Belt L.H.	1
11	110840	Strap	3
12	106117	Plate - Spindle	3
13	106409	Cover - Belt R.H.	1

Ref. No.	Part No.	Description	No. Used
14	43-8480	Decal - Danger	2
15	3231-25	Bolt - Carriage	4
16	76-4070	Decal - Danger	2
17	3296-42	Nut - Lock	3
18	3272-21	Pin - Cotter	3
19	108789	Roller	3
20	110847	Shaft - Roller	3
21	321-4	Bolt	3
22	92-7292	Deck - Mower (Incl. ref.# 14 & 16)	1
24	106748	Decal - Height of Cut	1
25	9266714	Bolt	8
26	32146-2	Nut - Lock	2



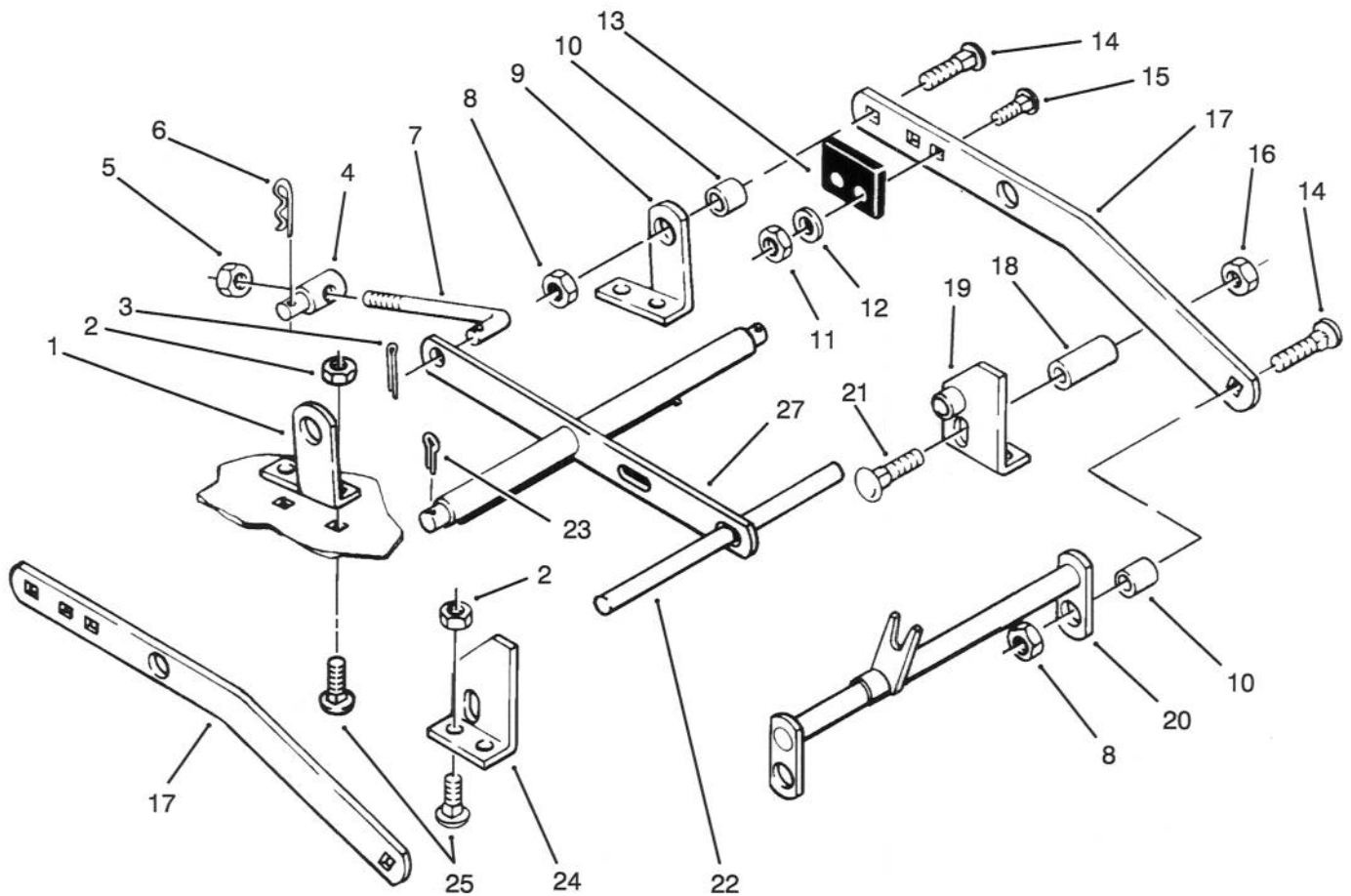
C-0885

DECK DRIVE BELT ATTACHMENT

Ref. No.	Part No.	Description	No. Used
1	102582	Cover - Belt	1
2	9150076	Nut - Lock	1
3	108834	Drive - Belt	1
4	105797	Ring - Retaining	2
5	101708	Trunion	1
6	101842	Rod - Adjustment	1
7	3256-24	Washer	1
8	101728	Support - Idler, Front	1
9	115197	Decal - Attach a Matic	1

Ref. No.	Part No.	Description	No. Used
10	108571	Washer - Spring	1
11	933156	Pin - Spirol	1
12	101851	Knob - Adjustment	1
13	104974	Pulley - Idler	1
14	101734	Spanner - Inner	
15	104975	Pulley - Idler, Flat	1
16	101757	Spacer - Outer	1
*	101657	Idler Assembly - Front (Incl. Ref. #1-16)	1

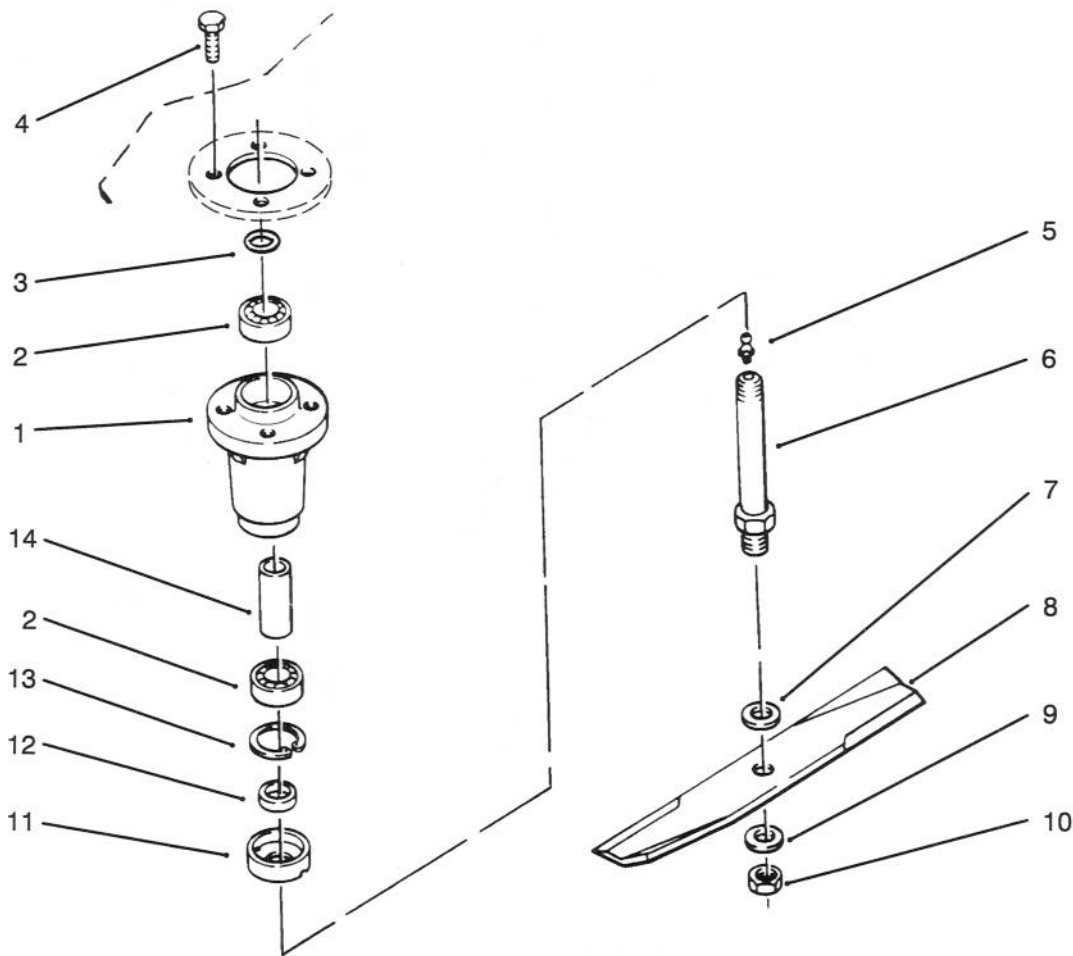
*Not Illustrated



C-0886

SUSPENSION ASSEMBLY

Ref. No.	Part No.	Description	No. Used	Ref. No.	Part No.	Description	No. Used
1	107512	Bracket - Right Rear	1	14	3231-25	Bolt - Carriage	4
2	3296-39	Nut - Lock	8	15	3230-3	Bolt - Carriage	4
3	3272-6	Pin - Cotter	1	16	9156644	Nut	2
4	6739	Trunion	1	17	101777	Bar - Draft	2
5	3296-39	Nut - Lock	1	18	9793604	Spacer - Transport Stop	2
6	9335044	Pin - Cotter	2	19	102567	Bracket - Left Front	1
7	101828	Rod - Leveler	1	20	101758	Hitch	1
8	102809	Nut	4	21	3232-3	Bolt - Carriage	2
9	107511	Bracket - Left Rear	1	22	102570	Shaft - Front	1
10	111044	Spacer	4	23	3272-12	Pin - Cotter	2
11	3296-29	Nut - Lock	4	24	102566	Bracket - Right Front	1
12	3256-3	Washer	4	25	3231-2	Bolt - Carriage	8
13	102322	Bumper - Rubber	2	27	110268	Leveler	1



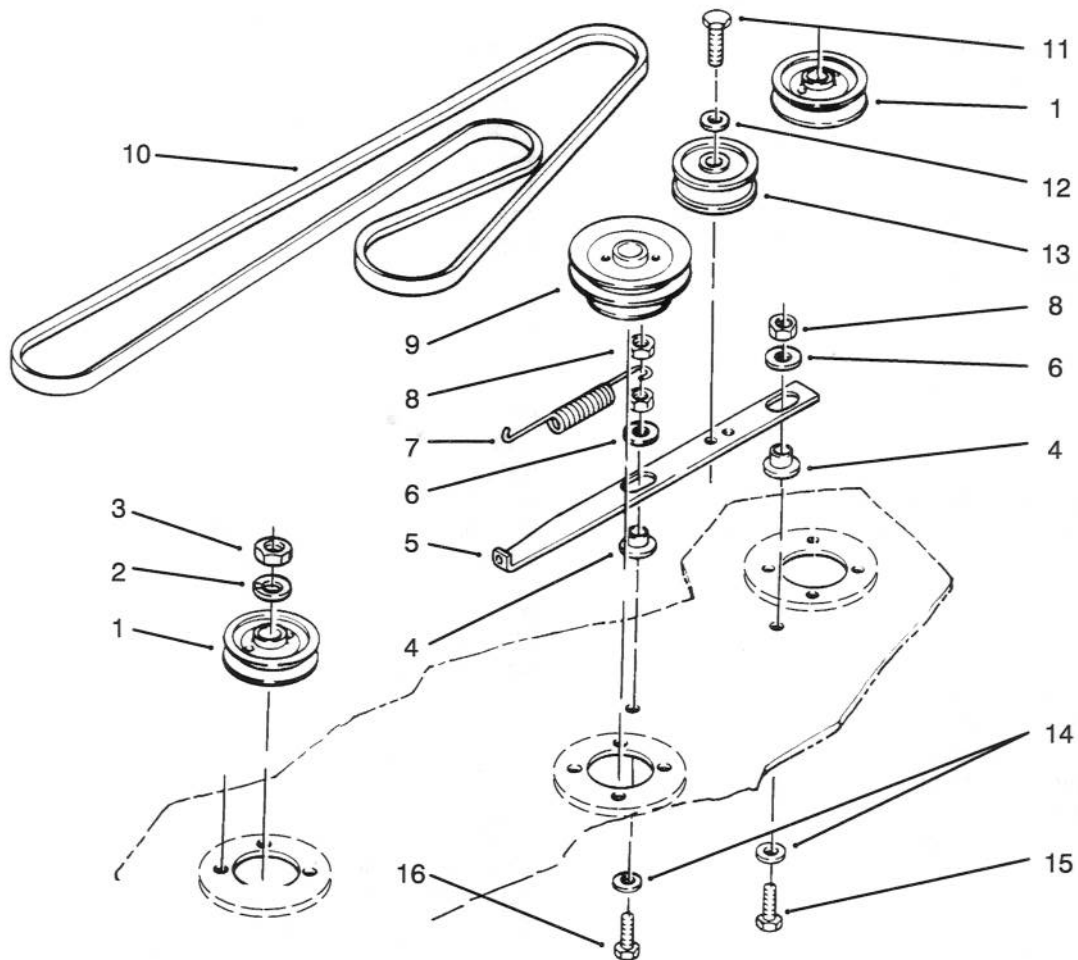
C-0887

SPINDLE & BLADE ASSEMBLY

Ref. No.	Part No.	Description	No. Used
1	114568	Housing - Spindle	1
2	109966	Bearing - Ball	2
3	971015	"O"Ring	1
4	9080326	Bolt	4
5	302-5	Fitting - Grease	1
6	112674	Shaft - Spindle	1
7	9202574	Washer - Special	1
8	106635	Blade Set	1
9	3256-28	Washer	1

Ref. No.	Part No.	Description	No. Used
10	3220-7	Nut - Jam	1
11	106067	Cup - Spindle	1
12	106068	Spacer - Blade	1
13	32120-42	Ring - Retaining Int.	1
14	116085	Spacer	1
*	110172	Spindle Assembly (Incl. ref.#1-3, 5, 6 & 11-14)	3

*Not Illustrated



C-0888

DECK BELT & PULLEYS

Ref. No.	Part No.	Description	No. Used	Ref. No.	Part No.	Description	No. Used
1	109967	Pulley - Outer	2	9	110148	Pulley - Center	1
2	3253-8	Washer - lock	3	10	106125	"V" Belt	1
3	3220-6	Nut - Jam	3	11	323-7	Bolt	1
4	107674	Bushing - Spacer	2	12	3253-21	Washer - Lock	1
5	106120	Bar - Idler Support	1	13	112425	Pulley - Idler, Flat	1
6	107675	Washer - Special	2	14	2844	Washer - Special	2
7	100071	Spring	1	15	323-7	Bolt	1
8	3296-39	Nut - Lock	3	16	323-9	Bolt	1

TORO PART NUMBER INDEX

3316-244

Part No.	Description	Pg. Ref. No. No. Qty.	Part No.	Description	Pg. Ref. No. No. Qty.
2844	Washer – Special	5 14 2	110847	Shaft – Roller	1 20 3
5188	Bolt – Shoulder	1 1 2	111044	Spacer	3 10 4
6739	Trunion	3 4 1	112425	Pulley – Idler, Flat	5 13 1
100071	Spring	5 7 1	112674	Shaft – Spindle	4 6 1
101657	Idler Assembly – Front	2 * 1	114568	Housing – Spindle	4 1 1
101708	Trunion	2 5 1	115053	Gauge – Wheel Support	1 9 1
101728	Support – Idler, Front	2 8 1	115197	Decal – Attach a Matic	2 9 1
101734	Spanner – Inner	2 14 1	115213	Lever	1 7 1
101757	Spacer – Outer	2 16 1	116085	Spacer	4 14 1
101758	Hitch	3 20 1	9080326	Bolt	4 4 4
101777	Bar – Draft	3 17 2	9150076	Nut – Lock	2 2 1
101828	Rod – Leveler	3 7 1	9156644	Nut	3 16 2
101842	Rod – Adjustment	2 6 1	9202574	Washer – Special	4 7 1
101851	Knob – Adjustment	2 12 1	9266714	Bolt	1 25 8
101853	Spring	1 6 1	933156	Pin – Spirol	2 11 1
102322	Bumper – Rubber	3 13 2	9335044	Pin – Cotter	3 6 2
102566	Bracket – Right Front	3 24 1	971015	O Ring	4 3 1
102567	Bracket – Left Front	3 19 1	9793604	Spacer – Transport Stop	3 18 2
102570	Shaft – Front	3 22 1	43-8480	Decal – Danger	1 14 2
102582	Cover – Belt	2 1 1	76-4070	Decal – Danger	1 16 2
102809	Nut	3 8 4	92-7292	Deck – Mower	1 22 1
103712	Grip	1 8 1	302-5	Fitting – Grease	4 5 1
104974	Pulley – Idler	2 13 1	321-4	Bolt	1 21 3
104975	Pulley – Idler	2 15 1	323-7	Bolt	5 11 1
105797	Ring – Retaining	2 4 2	323-7	Bolt	5 15 1
106067	Cup – Spindle	4 11 1	323-9	Bolt	5 16 1
106068	Spacer – Blade	4 12 1	3220-6	Nut	5 3 3
106117	Plate – Spindle	1 12 3	3220-7	Nut	4 10 1
106120	Bar – Idler Support	5 5 1	3230-3	Bolt – Carriage	3 15 4
106125	VBelt	5 10 1	3231-2	Bolt – Carriage	3 25 8
106392	Quadrant	1 3 1	3231-25	Bolt – Carriage	3 14 4
106409	Cover – Belt R.H.	1 13 1	3231-25	Bolt – Carriage	1 15 4
106635	Blade Set	4 8 1	3232-3	Bolt – Carriage	3 21 2
106638	Cover – Belt L.H.	1 10 1	3253-8	Washer – lock	5 2 3
106748	Decal – Height of Cut	1 24 1	3253-21	Washer – Lock	5 12 1
107511	Bracket – Left Rear	3 9 1	3256-3	Washer	3 12 4
107512	Bracket – Right Rear	3 1 1	3256-24	Washer	2 7 1
107674	Bushing – Spacer	5 4 2	3256-28	Washer	4 9 1
107675	Washer – Special	5 6 2	3272-6	Pin – Cotter	3 3 1
108571	Washer – Spring	2 10 1	3272-12	Pin – Cotter	3 23 2
108789	Roller	1 19 3	3272-21	Pin – Cotter	1 18 3
108834	Drive – Belt	2 3 1	3296-29	Nut	3 11 4
109966	Bearing – Ball	4 2 2	3296-39	Nut	3 2 8
109967	Pulley – Outer	5 1 2	3296-39	Nut	1 5 4
110148	Pulley – Center	5 9 1	3296-39	Nut	3 5 1
110172	Spindle Assembly	4 * 3	3296-39	Nut	5 8 3
110268	Leveler	3 27 1	3296-42	Nut	1 17 3
110506	Wheel	1 2 2	32120-42	Ring – Retaining Int.	4 13 1
110840	Strap	1 11 3	32146-2	Nut – Lock	1 26 2
110841	Camp	1 4 2			

*Not Illustrated

