



TimeCutter™ Z4202 Riding Mower

Model No. 74381 - 280000001 and up.

Parts Catalog

Ordering Replacement Parts

To order replacement parts, please supply the part number, the quantity, and the description of each part desired.

Understanding Reference Numbers

Each identified part in an illustration has a reference number. The reference number for a part also appears in the parts list, along with other information about the part.

This catalog uses two special reference number formats, one to indicate parts in a service assembly and another to indicate the quantity of a given part in an illustration.

Service Assembly Reference Numbers

Parts in service assemblies have reference numbers in the form a:b. The a represents the reference number of the entire service assembly and the b represents a sequential number unique to each part within the service assembly.

For example, a wheel assembly might be identified by reference number 6, the tire by 6:1, the valve by 6:2, and the wheel by 6:3. When you order the assembly identified by reference number 6, you receive all parts identified by reference numbers 6:1, 6:2, and 6:3. However, you may also order any part individually. Reference numbers of this type appear in illustrations and in part lists.

Reference Numbers Indicating Quantity

In an illustration, if a reference number indicates more than one part, the reference number has the form nX y. The n represents the quantity of the part, the X is the multiplication symbol, and the y represents the reference number.

For example, in an illustration, the reference number 2X 37 means that two of the parts identified by reference number 37 are indicated.

Contents

Description	Page	Description	Page
Frame Assembly 3	Oil Pan and Lubrication Assembly Kohler SV710-0027 21
Deck Lift and Seat Support Assembly 4	Head, Valve and Breather Assembly Kohler SV710-0027 22
Seat Assembly 5	Ignition and Electrical Assembly Kohler SV710-0027 23
Control Assembly 6	Blower Housing Assembly Kohler SV710-0027 24
Hydro Drive Assembly 7	Starter Assembly Kohler SV710-0027 25
RH Hydro Assembly No. 110-6771 8	Fuel System Assembly Kohler SV710-0027 26
LH Hydro Assembly No. 110-6770 10	Engine Control Assembly Kohler SV710-0027 27
Engine and Clutch Assembly 12	Air Intake and Filtration Assembly Kohler SV710-0027 28
Styling and Fuel System Assembly 13	Exhaust Assembly Kohler SV710-0027 29
42 Inch Deck Assembly 14	Decal Set Kohler SV710-0027 30
42 Inch Deck Assembly No. 110-6831 15	Attachments and Accessories List 31
42 Inch Deck Decal and Recycler Assembly 16		
42 Inch Deck Spindle and Belt Drive Assembly 17		
Electrical Assembly 18		
Crankshaft Assembly Kohler SV710-0027 19		
Crankcase Assembly Kohler SV710-0027 20		

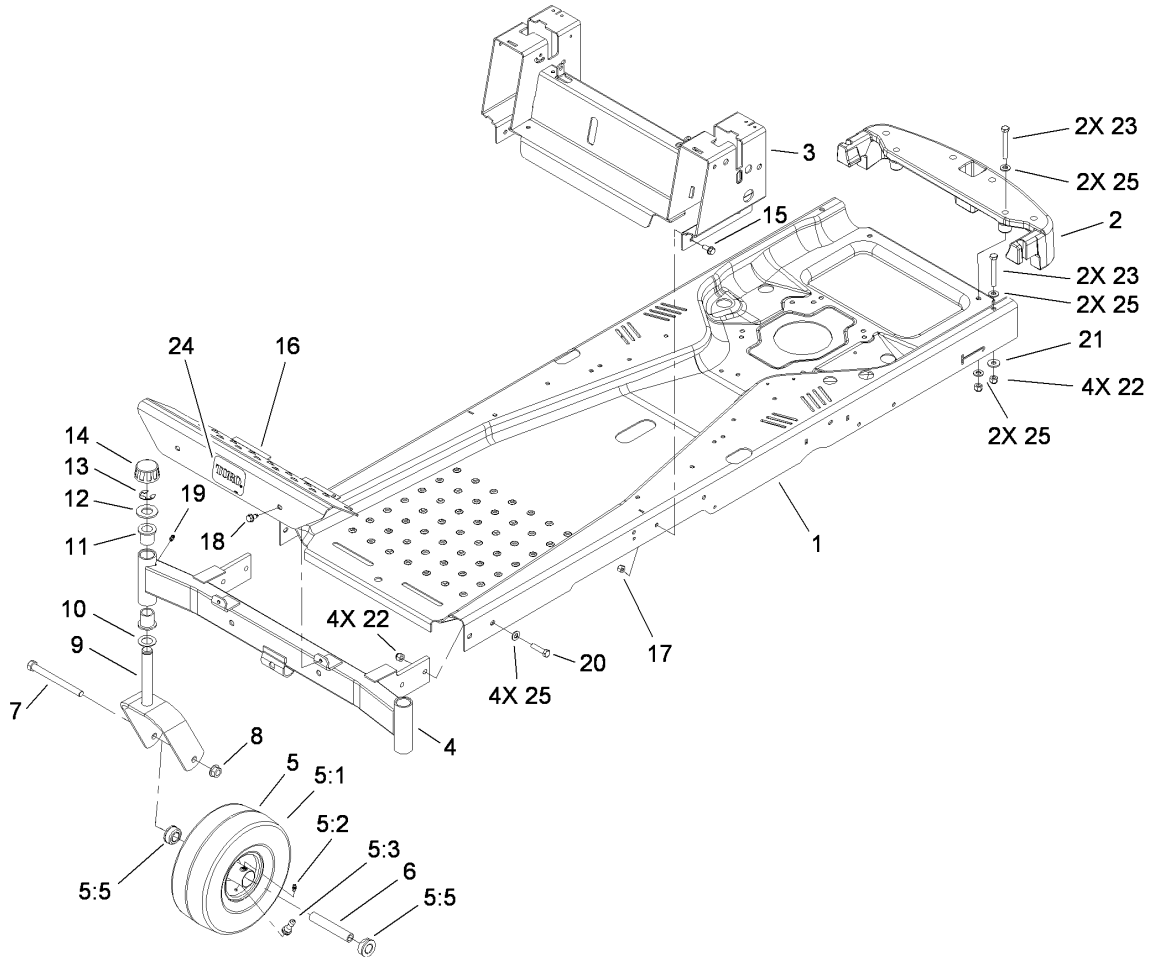
Part Description Abbreviations

Part descriptions in this catalog may include the following abbreviations.

AR. as required	HYD. hydraulic
ASM. assembly	LH. left hand
BBC. blade brake clutch	NI. nylon insert
CARR. carriage	NPTF. national pipe thread fine
DEG. degrees	PFH. phillips flat head
EXT. external	PPH. phillips pan head
FH. flat head	PPHTF. phillips pan head thread forming
GA. gauge	PRH. phillips round head
HD. heavy-duty	PTH. phillips truss head
HF. hex flange	PTO. power-take-off
HH. hex head	RH. right hand
HHF. hex head flange	ROPS. roll-over protection system
HHFTF. hex head flange thread forming	SFH. slotted fillister head
HJ. hex jam	SHH. slotted hex head
HLH. hex lag head	SHWH. slotted hex washer head
HOC. height-of-cut	SPH. slotted pan head
HSBH. hex socket button head	SQH. square head
HSFH. hex socket flat head	SRH. slotted round head
HSH. hex socket head	STD. standard
HWH. hex washer head	TAP. self tapping
HWHTF. hex washer head thread forming	TTH. torx truss head

Footnotes

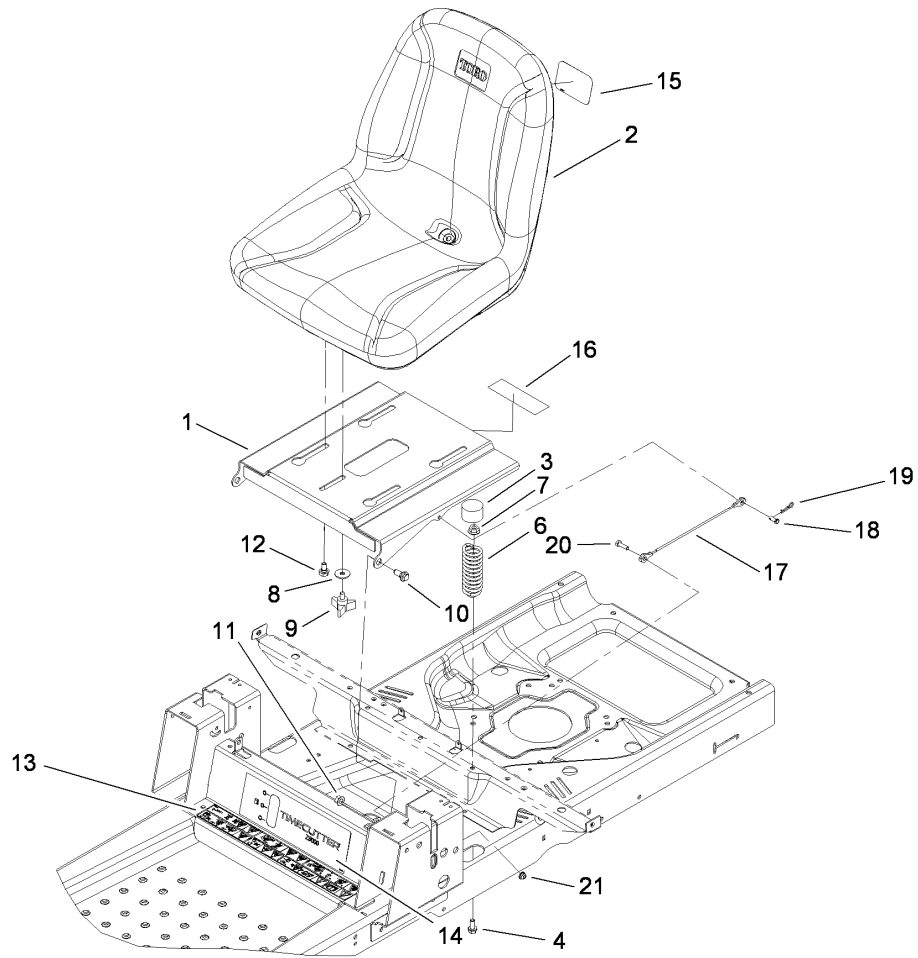
- ❶ Not illustrated
- ❷ Not serviced separately
- ❸ Obtain from your local Kohler dealer



Frame Assembly

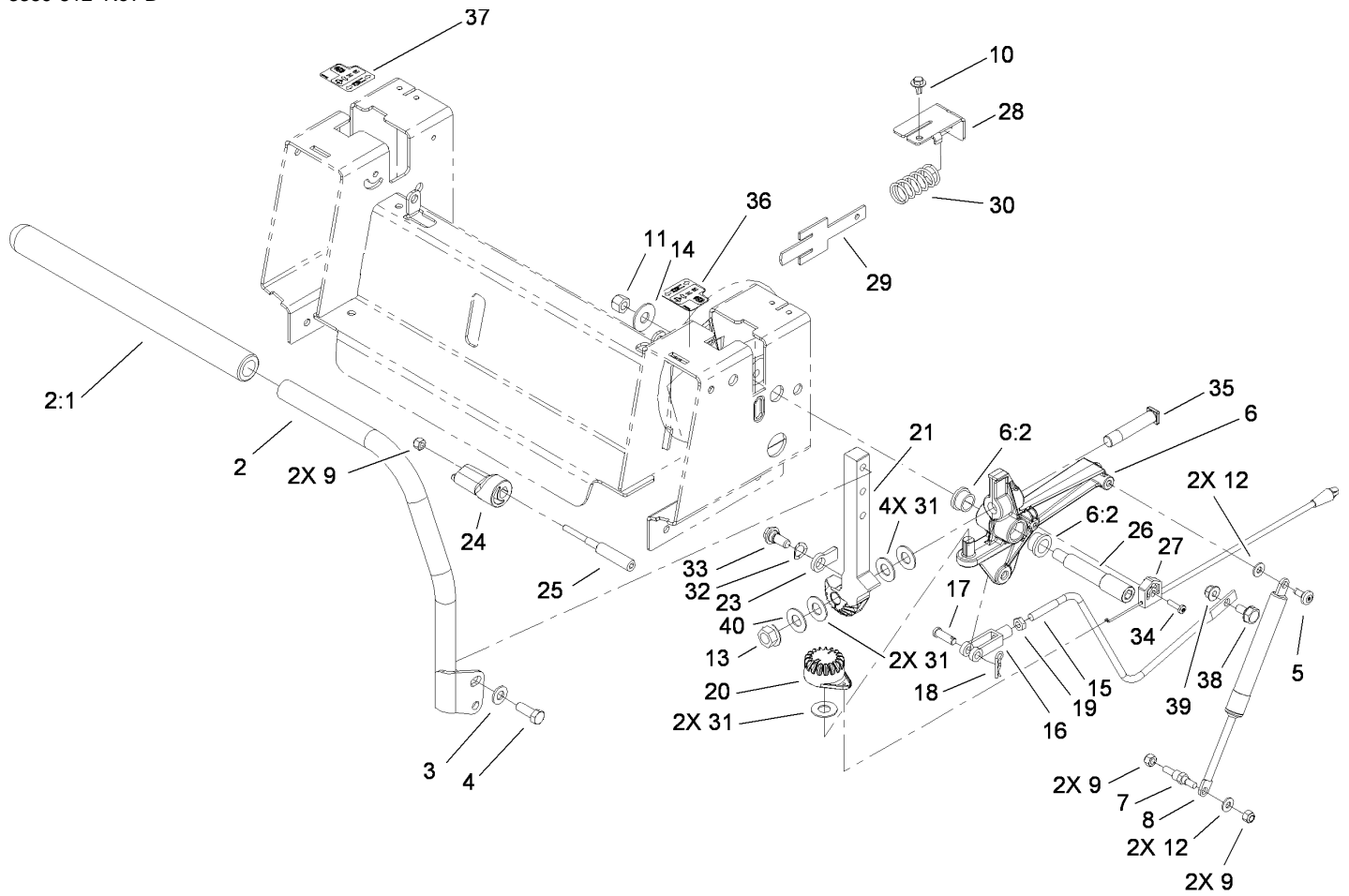
Ref	Part No.	Qty.	Description
1	115-2464-01	1	Frame
2	110-6899-03	1	Bumper-Rear
3	115-2468-03	1	Seat And Control ASM
4	108-7882-01	1	Front Axle ASM
5	105-3471	2	Front Wheel And Tire ASM
5:1	105-1943	1	Tire
5:2	302-5	1	Fitting-Grease
5:3	232-27	1	Stem-Valve
5:5	114-1640	2	Bushing-Flange
5:99	93-4244	1	Tube-Inner (W/Valve)
6	104-3667	2	Spanner-Wheel
7	325-22	2	Screw-HH
8	32128-23	2	Nut-HF
9	108-7851-01	2	Caster Fork ASM
10	110-6767	2	Washer-Thrust
11	1-303514	4	Bearing-Flanged
12	104-8076	2	Washer
13	32151-103	2	Ring-Retaining, EXT
14	61-9780	2	Cap-Hub
15	3234-47	7	Screw-HHF
16	108-7855-03	1	Footrest
17	3296-29	7	Nut-Lock, NI
18	32104-32	2	Screw-HWH
19	302-5	2	Fitting-Grease

Ref	Part No.	Qty.	Description
20	323-8	4	Screw-HH
21	80-6990	2	Washer-Hardened
22	3296-39	8	Nut-Lock, NI
23	323-13	4	Screw-HH
24	99-2385	1	Decal
25	3256-24	10	Washer-Flat



Seat Assembly

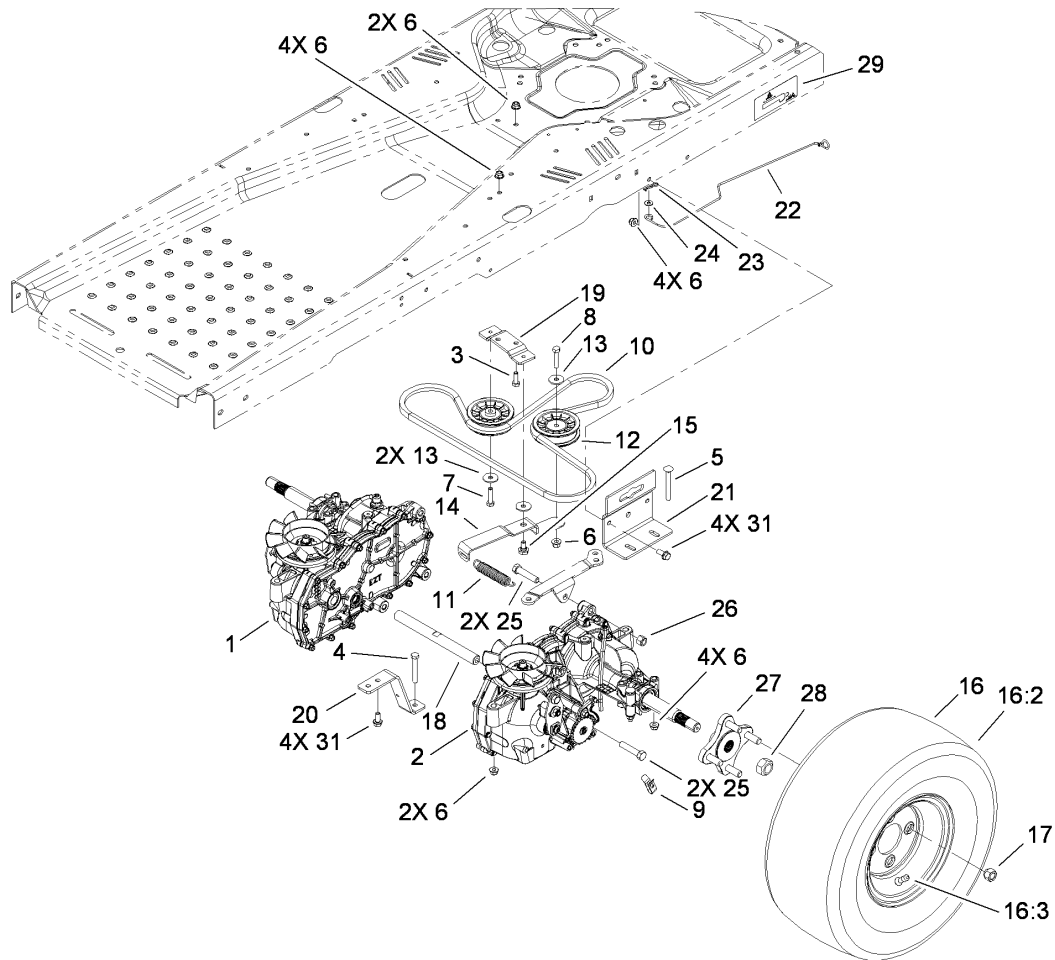
Ref	Part No.	Qty.	Description				
1	115-2465-03	1	Base-Seat				
2	110-6772	1	Seat-18 Inch				
3	701178	2	Cap-Protector				
4	3234-47	2	Screw-HHF				
6	92-7054	2	Spring-Compression				
7	104-8300	2	Nut-Flange, NI				
8	5-4460	1	Washer-Pivot				
9	92-9674	1	Knob				
10	94-7582	2	Bolt-Shoulder				
11	32128-21	2	Nut-HF				
12	37-8771	4	Bolt-Shoulder				
13	115-2469	1	Decal-Danger				
14	115-2490	1	Decal-Timecutter				
15	99-2385	1	Decal				
16	106-8717	1	Decal-Service				
17	109-2628	1	Cable-Stop, Seat				
18	60-1730	1	Pin-Clevis				
19	1-806003	1	Pin-Hair				
20	321-5	1	Screw-HH				
21	104-7201	1	Nut-HF				



Control Assembly

Ref	Part No.	Qty.	Description
1	110-6814	1	RH Handle ASM
1:1	108-6187	1	Grip
2	110-6815	1	LH Handle ASM
2:1	108-6187	1	Grip
3	3256-24	4	Washer-Flat
4	323-6	4	Screw-HH
5	112-4004	2	Screw-Shoulder
6	110-6828	2	Activator Arm ASM
6:2	105-3455	2	Bushing
7	110-6810	2	Stud-Damper
8	103-2913	2	Damper-Control, Motion
9	3296-42	6	Nut-Lock, NI
10	46-8560	2	Screw-HHF
11	3296-48	2	Nut-Lock, NI
12	3256-22	4	Washer-Flat
13	32128-23	2	Nut-HF
14	3256-5	2	Washer-Flat
15	110-6693	2	Link-Hydro
16	1-303105	2	Yoke-Adjustable
17	1-808280	2	Pin-Clevis
18	1-806003	2	Pin-Hair
19	3220-2	2	Nut-Jam
20	110-6845	2	Gear-Control
21	110-6783-03	1	Arm-Actuator, LH

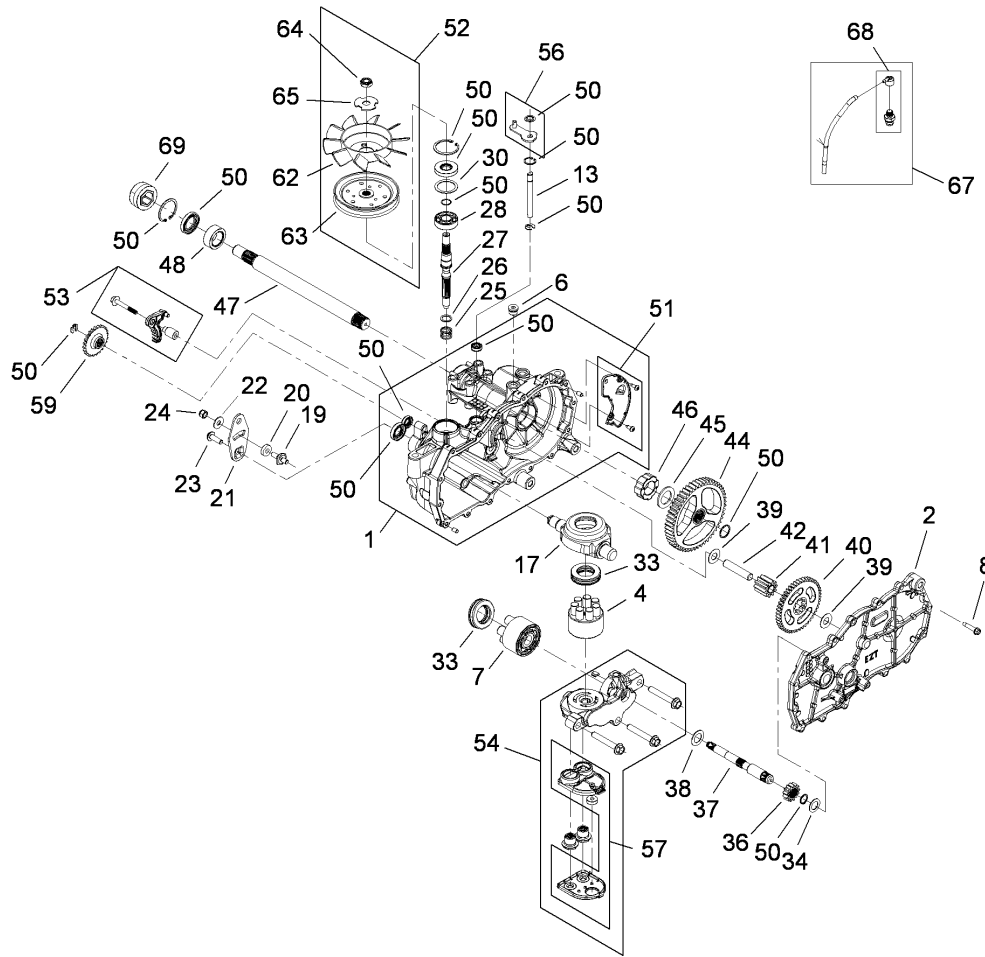
Ref	Part No.	Qty.	Description
22	110-6782-03	1	Arm-Actuator, RH
23	110-6856	2	Tab-Stop
24	110-6873	2	Eccentric
25	110-6874	2	Screw-Eccentric
26	110-6875	2	Bolt-Shoulder
27	110-6858	2	Cable-Brake, Parking
28	110-6751	2	Bracket-Return
29	110-6750	2	Plate-Return
30	110-6752	2	Spring
31	110-6894	8	Washer-Pivot
32	3290-221	2	Washer-Spring
33	94-7582	2	Bolt-Shoulder
34	110-0863	2	Screw-Torx
35	110-6784	2	Bolt-Shoulder
36	112-9750	1	Decal-Control Lever, LH
37	112-9751	1	Decal-Control Lever, RH
38	37-8771	2	Bolt-Shoulder
39	104-8300	2	Nut-Flange, NI
40	112-9771	2	Washer-Teflon



Hydro Drive Assembly

Ref	Part No.	Qty.	Description
1	110-6771	1	Hydro-RH
2	110-6770	1	Hydro-LH
3	322-4	2	Screw-HH
4	322-11	2	Screw-HH
5	3230-9	4	Screw-CARR
6	104-8300	17	Nut-Flange, NI
7	322-6	1	Screw-HH
8	322-7	1	Screw-HH
9	110-6677	2	Clip-Spring
10	110-6774	1	V-Belt
11	63-1590	1	Spring-Idler
12	110-6775	2	Pulley-Idler
13	5-4460	3	Washer-Pivot
14	110-1925	1	Arm-Idler
15	37-8771	1	Bolt-Shoulder
16	110-6881	2	Wheel And Tire ASM
16:2	110-6885	1	Tire
16:3	232-27	1	Stem-Valve
●16:99	107-2491	1	Tube-Tire
17	242-50	8	Nut-Lug
18	110-6807	1	Shaft-Cross
19	110-1926	1	Plate-Pivot
20	110-6806-03	2	Strap-Torque
21	110-6878-03	2	Support-Hydro

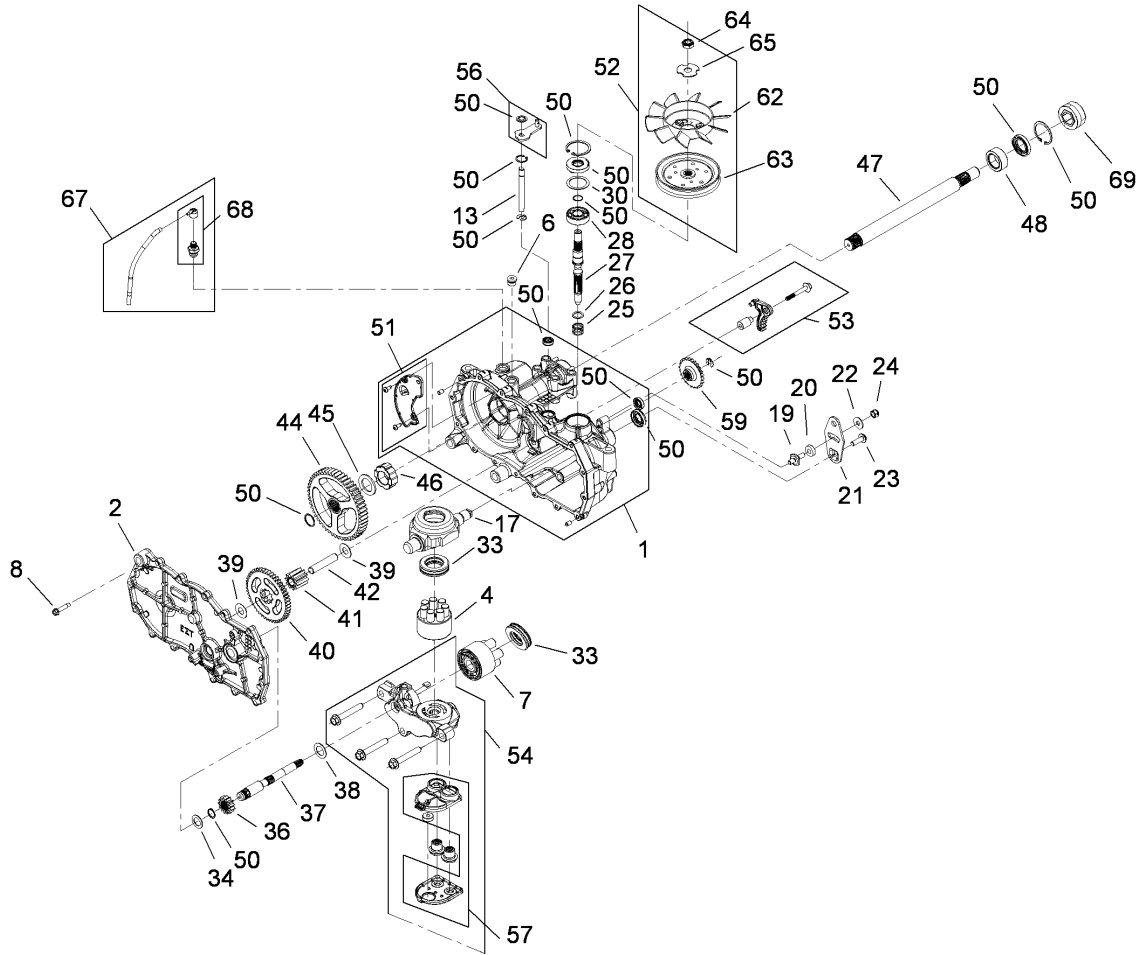
Ref	Part No.	Qty.	Description
22	110-6787	2	Rod-Bypass
23	1-806003	2	Pin-Hair
24	3256-22	2	Washer-Flat
25	324-8	4	Screw-HH
26	3296-48	2	Nut-Lock, NI
27	112-3979	2	Hub ASM
28	112-3982	2	Nut-Lock
29	114-8532	1	Decal-Transport, LH
●30	114-8531	1	Decal-Transport, RH
31	3234-47	8	Screw-HHF



RH Hydro Assembly No. 110-6771

Ref	Part No.	Qty.	Description
1	114-1630	1	RH Main Housing ASM
2	114-1631	1	RH Side ASM
4	110-8561	1	Pump Block ASM
6	112-9850	1	Plug
7	103-2666	1	Cylinder Block Kit
8	104-5305	16	Screw-HHF
13	106-8678	1	Rod-Bypass
17	104-5304	1	Swashplate-Trunnion
19	104-2116	1	Stud
20	112-9853	1	Puck-Friction
21	106-8747	1	Arm-Control
22	5-4460	1	Washer-Pivot
23	107-2488	1	Screw
24	105-1872	1	Nut
25	94-1936	1	Spring-Block
26	94-1937	1	Washer-Thrust, Block
27	104-5306	1	Shaft-Input
28	104-5311	1	Bearing-Ball
30	104-5308	1	Spacer
33	94-6922	2	Bearing-Thrust
34	104-5339	1	Washer-Flat
36	104-5316	1	Gear-Pinnion, 13T
37	114-1632	1	Shaft, Motor
38	104-5360	1	Washer-Shaft, Motor

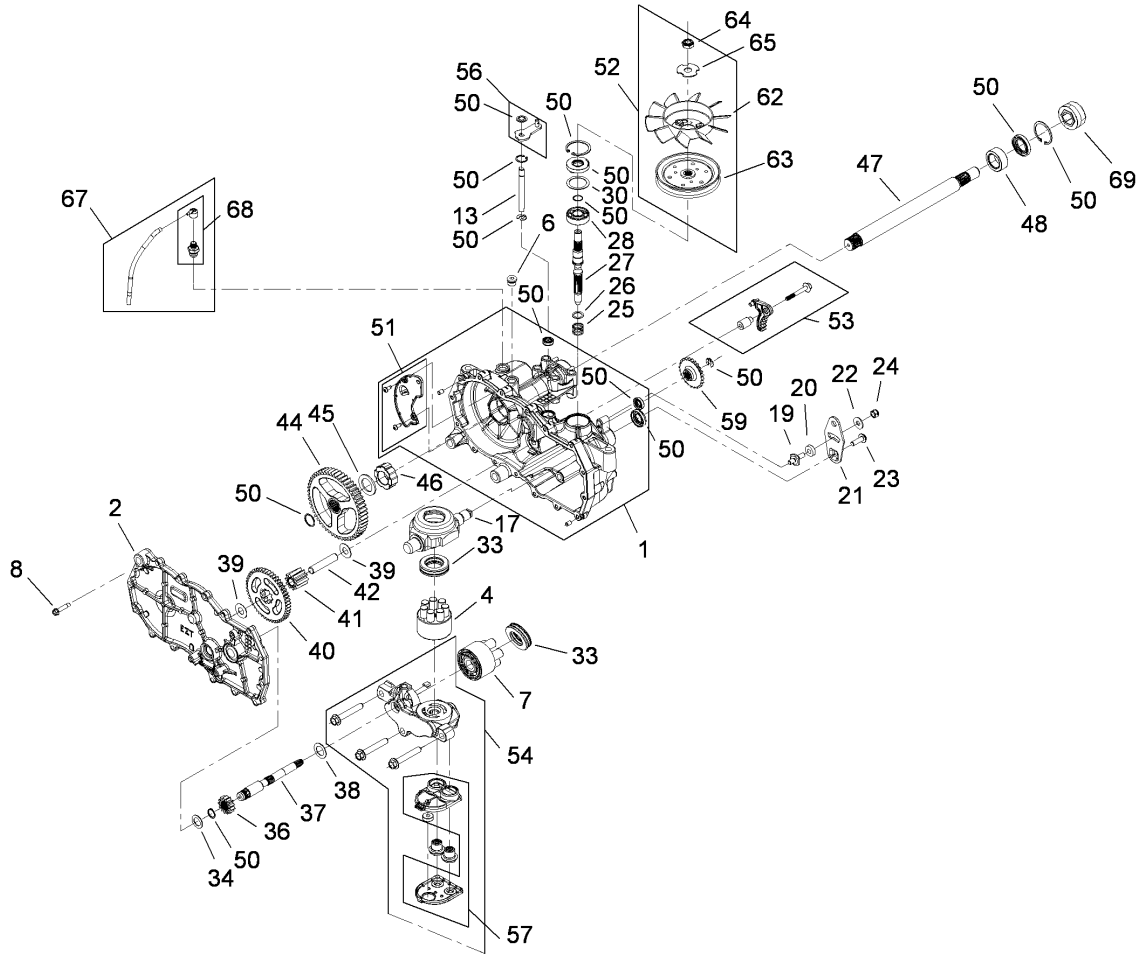
Ref	Part No.	Qty.	Description
39	94-1933	2	Washer
40	104-5317	1	Gear
41	104-5318	1	Gear-Jackshaft, 10T
42	104-5329	1	Pin-Jackshaft
44	112-9855	1	Gear-52T, Bull
45	112-9856	1	Washer
46	112-9857	1	Bearing-Sleeve
47	112-9858	1	Shaft-Axle
48	112-9859	1	Bushing-Axle
50	106-8686	1	Seal Kit
51	106-8697	1	RH Expansion Plate Kit
52	106-8698	1	Fan Pulley Kit
53	114-1633	1	Brake Arm Kit
54	112-9861	1	RH Center Section Filter Kit
55	104-2147	1	Sealant
56	107-2489	1	Bypass Arm Kit
57	114-1634	1	Filter Kit
59	106-8694	1	Disc-Brake, Cog
62	110-8566	1	Fan-6 Inch, 10 Blade
63	104-1754	1	Pulley
64	105-1875	1	Nut-Lock
65	107-9122	1	Washer-Slotted
67	112-9866	1	Breather Kit
68	114-1635	1	Breather ASM



LH Hydro Assembly No. 110-6770

Ref	Part No.	Qty.	Description
1	114-1636	1	LH Main Housing ASM
2	114-1637	1	LH Side ASM
4	110-8561	1	Pump Block ASM
6	112-9850	1	Plug
7	103-2666	1	Cylinder Block Kit
8	104-5305	16	Screw-HHF
13	106-8678	1	Rod-Bypass
17	104-5304	1	Swashplate-Trunnion
19	104-2116	1	Stud
20	112-9853	1	Puck-Friction
21	106-8747	1	Arm-Control
22	5-4460	1	Washer-Pivot
23	107-2488	1	Screw
24	105-1872	1	Nut
25	94-1936	1	Spring-Block
26	94-1937	1	Washer-Thrust, Block
27	104-5306	1	Shaft-Input
28	104-5311	1	Bearing-Ball
30	104-5308	1	Spacer
33	94-6922	2	Bearing-Thrust
34	104-5339	1	Washer-Flat
36	104-5316	1	Gear-Pinnion, 13T
37	114-1632	1	Shaft, Motor
38	104-5360	1	Washer-Shaft, Motor

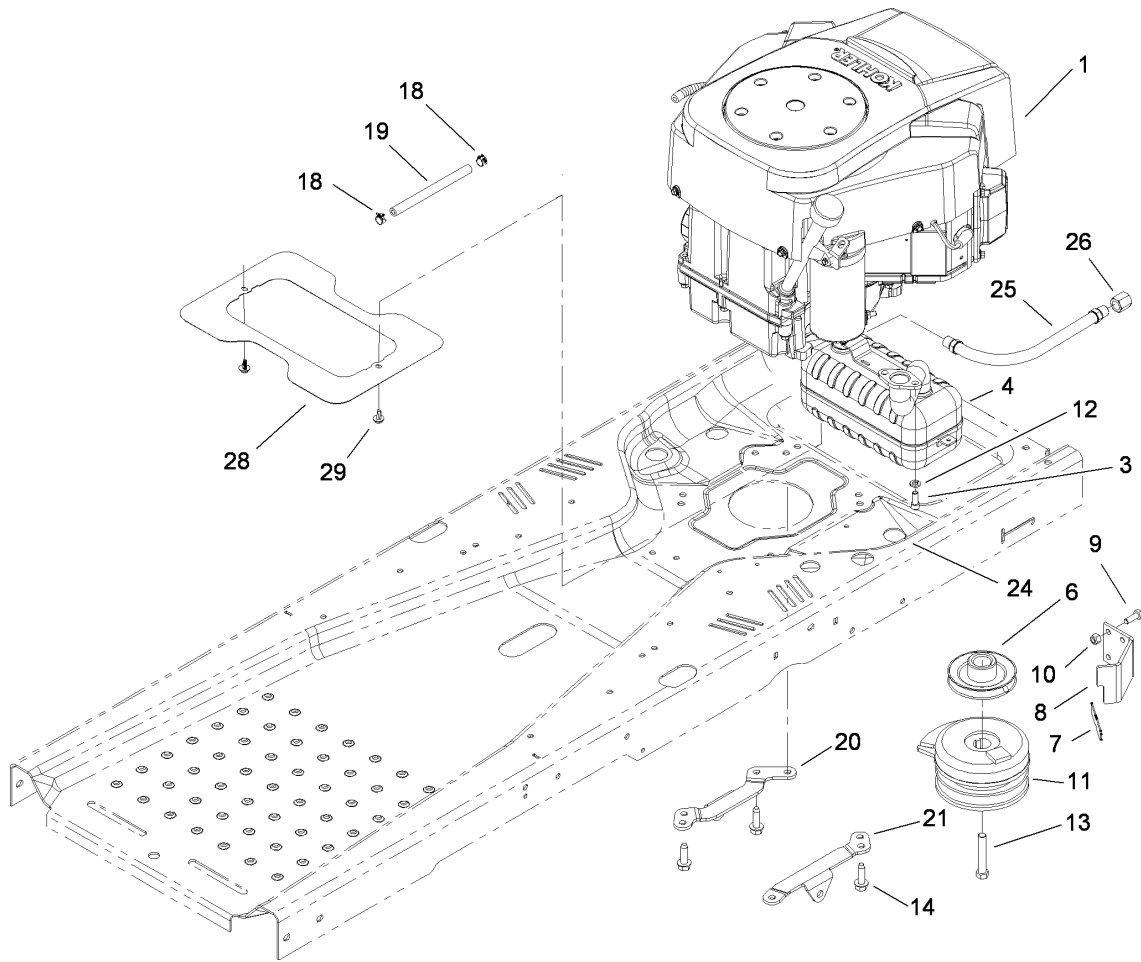
Ref	Part No.	Qty.	Description
39	94-1933	2	Washer
40	104-5317	1	Gear
41	104-5318	1	Gear-Jackshaft, 10T
42	104-5329	1	Pin-Jackshaft
44	112-9855	1	Gear-52T, Bull
45	112-9856	1	Washer
46	112-9857	1	Bearing-Sleeve
47	112-9858	1	Shaft-Axle
48	112-9859	1	Bushing-Axle
50	106-8686	1	Seal Kit
51	106-8687	1	LH Expansion Plate Kit
52	106-8698	1	Fan Pulley Kit
53	114-1633	1	Brake Arm Kit
54	112-9862	1	LH Center Section Filter Kit
55	104-2147	1	Sealant
56	107-2489	1	Bypass Arm Kit
57	114-1634	1	Filter Kit
59	106-8694	1	Disc-Brake, Cog
62	110-8566	1	Fan-6 Inch, 10 Blade
63	104-1754	1	Pulley
64	105-1875	1	Nut-Lock
65	107-9122	1	Washer-Slotted
67	112-9866	1	Breather Kit
68	114-1635	1	Breather ASM



LH Hydro Assembly No. 110-6770 (continued)

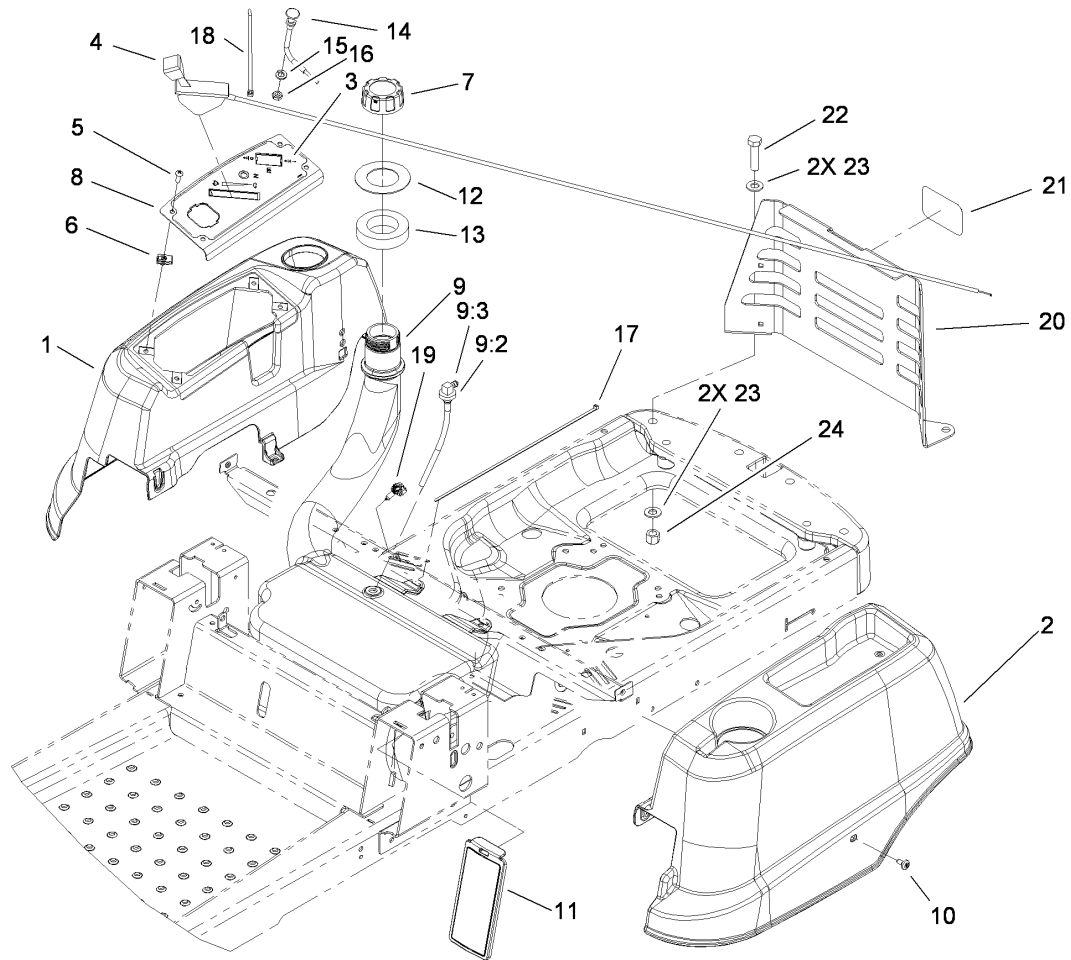
Ref	Part No.	Qty.	Description
69	115-5057	1	Cover-Nut, Axle

--	--	--	--



Engine and Clutch Assembly

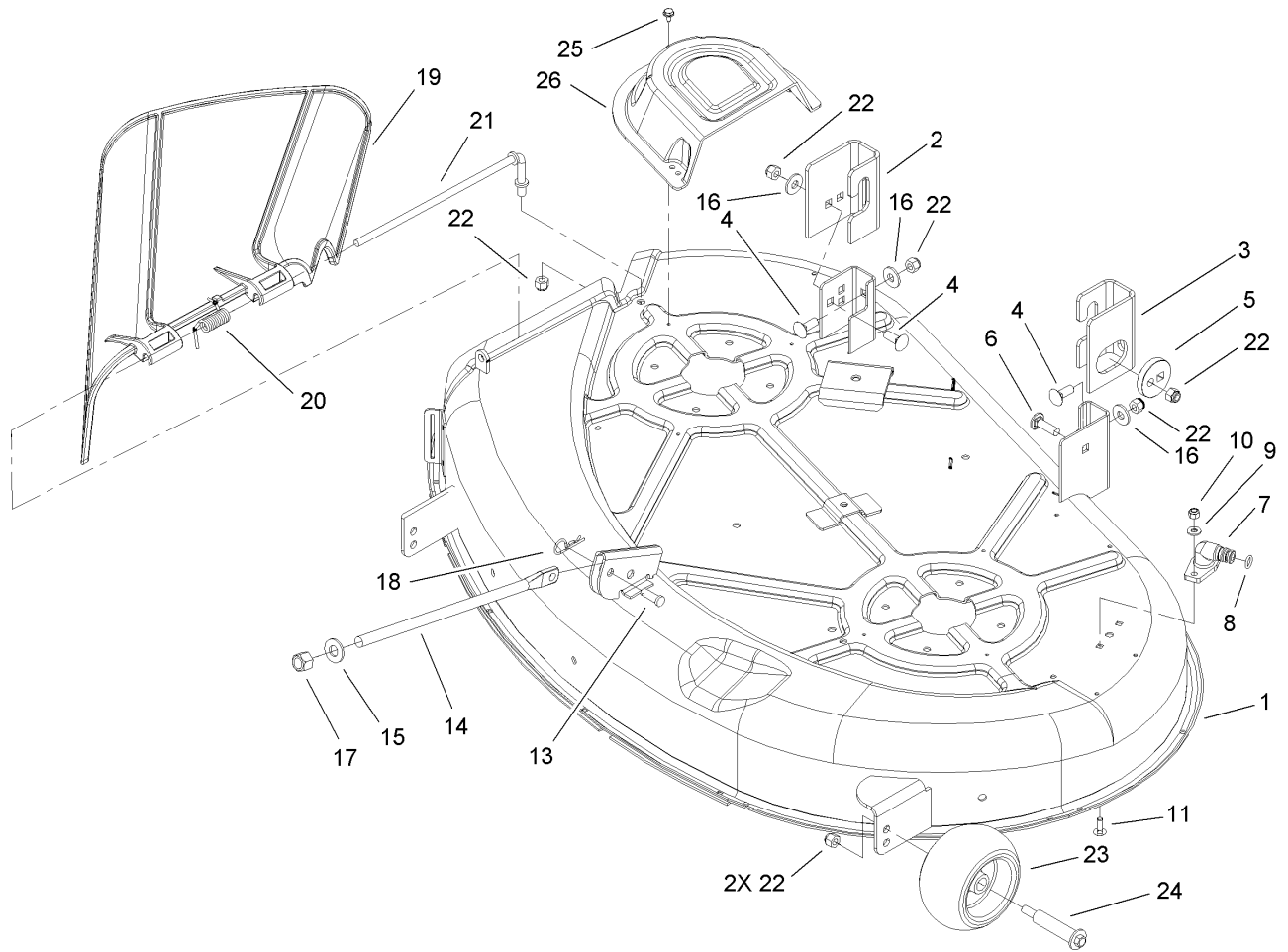
Ref	Part No.	Qty.	Description
② ③ 1		1	Engine-Kohler, Sv710-0027
3	3274-10	4	Screw-HSH
4	112-4025	1	Muffler-Kohler Twin
6	114-1622	1	Pulley-Engine
7	112-4033	1	Bumper
8	110-6896	1	Stop-Clutch
9	322-4	2	Screw-HH
10	3296-29	2	Nut-Lock, NI
11	104-3334	1	Clutch-Electric
12	3253-4	4	Washer-Lock
13	3212-10	1	Screw-HH
14	32144-109	4	Screw
18	2412-98	2	Clamp
19	107-0589	1	Hose-Fuel
20	110-6798	1	Support-Hydro, RH
21	110-6799	1	Support-Hydro, LH
24	112-9849	1	Tubing-Convoluted
25	82-4201	1	HYD Hose ASM
26	288-10	1	Cap-Pipe
28	114-8544	1	Shield-Heat
29	46-8560	2	Screw-HHF



Styling and Fuel System Assembly

Ref	Part No.	Qty.	Description
1	110-1901	1	Pod-RH
2	110-1902	1	Pod-LH
3	115-2501	1	Decal
4	110-6653	1	Cable-Throttle
5	3258-166	4	Screw-PRH
6	107069	4	Clip
7	93-7198	1	Gas Cap ASM
8	110-1927-03	1	Panel-Control
9	110-6890	1	Fuel Tank ASM
9:2	46-6560	1	Bushing
9:3	95-3970	1	Fitting-90 Degree
10	112-4004	6	Screw-Shoulder
11	110-6786	2	Cover-Control
12	112-9760	1	Washer-Rubber
13	55-9310	1	Seal-Foam
14	110-6754	1	Cable-Choke
15	3253-21	1	Washer-Lock
16	3220-3	1	Nut-HJ
17	100-9064	1	Tie-Cable
18	614249	1	Strap-Tie
19	32180-037	1	Clip-Harness
20	110-6685-03	1	Support-Cover, Rear
21	99-2385	1	Decal
22	325-8	2	Screw-HH

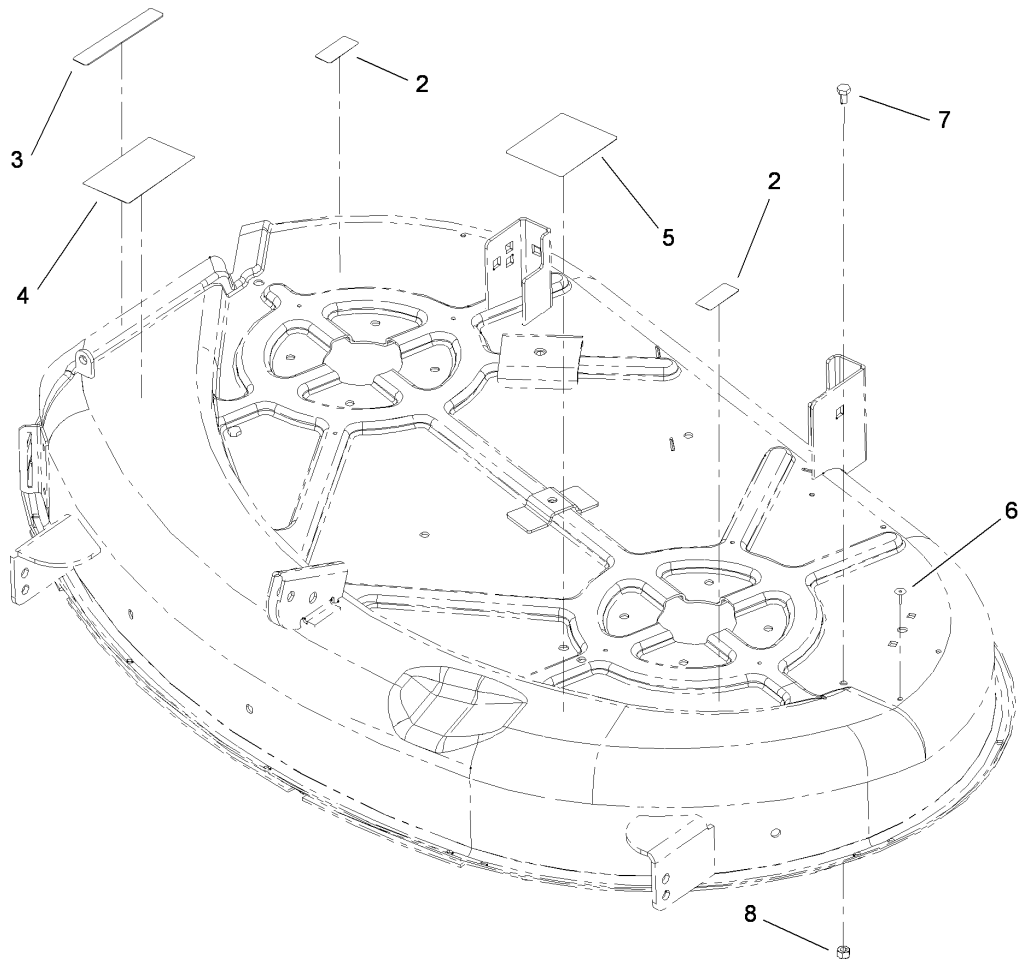
Ref	Part No.	Qty.	Description
23	3256-26	4	Washer-Flat
24	3296-23	2	Nut-Lock, NI



42 Inch Deck Assembly

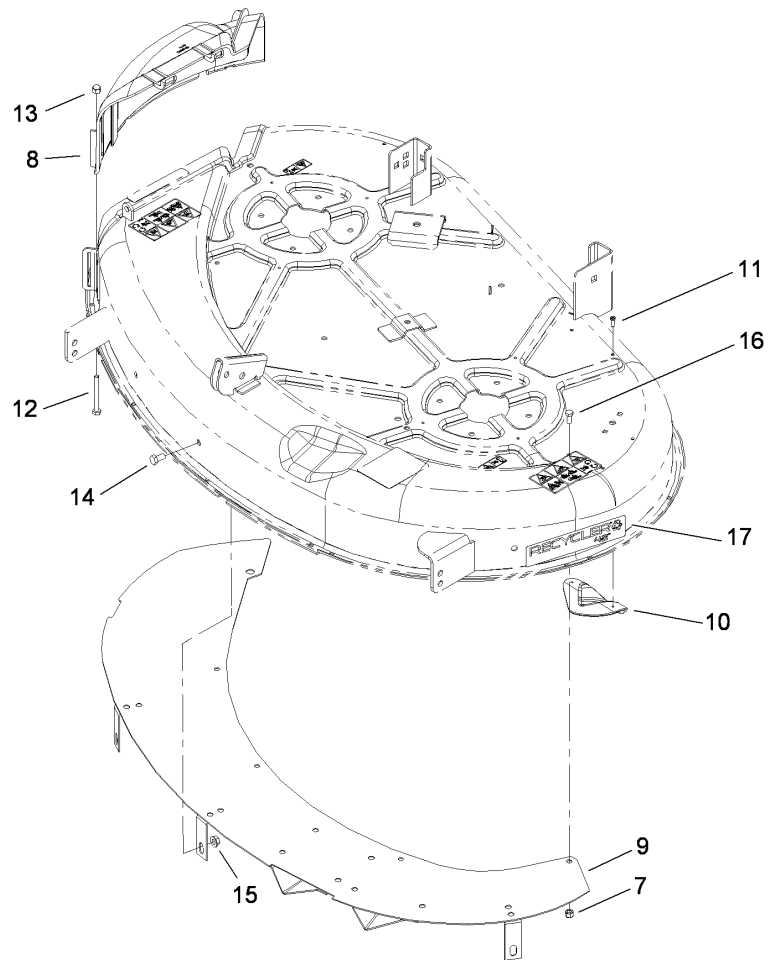
Ref	Part No.	Qty.	Description
1	110-6831	1	42 Inch Deck ASM
2	108-7836	1	Bracket-Hanger, Right Rear
3	108-7838	1	Bracket-Hanger, Left Rear
4	3231-2	3	Screw-CARR
5	112-3980	1	Eccentric
6	3231-28	1	Screw-CARR
7	95-2747	1	Fitting-Washout
8	46-6290	1	O-Ring
9	3256-22	2	Washer-Flat
10	3296-42	2	Nut-Lock, NI
11	3229-1	2	Screw-CARR
13	1-808284	1	Pin-Clevis
14	108-7847	1	Rod-Lift
15	87-7270	1	Washer-Thrust
16	80-6990	3	Washer-Hardened
17	3296-23	1	Nut-Lock, NI
18	9335054	1	Pin-Hair
19	112-3951	1	Deflector-42 Inch
20	110-6694	1	Spring-Torsion
21	112-4026	1	Rod-Pivot
22	3296-39	7	Nut-Lock, NI
23	1-603299	2	Roller-Scalp, Anti
24	112-3977	2	Bolt-Shoulder
25	32104-76	6	Screw

Ref	Part No.	Qty.	Description
26	108-7889	2	Cover-Belt



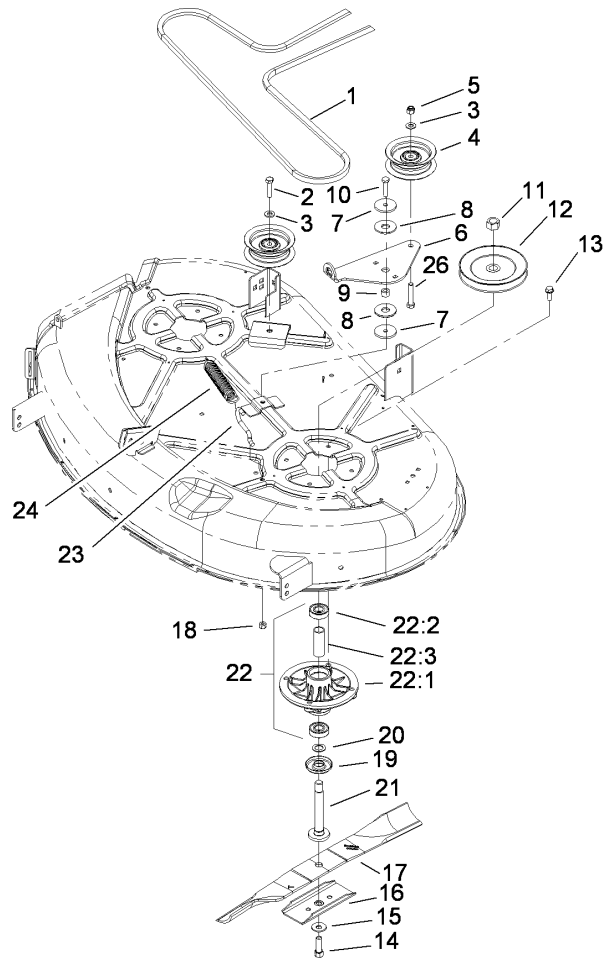
42 Inch Deck Assembly No. 110-6831

Ref	Part No.	Qty.	Description
2	114-1606	2	Decal-Danger, Pulley
3	93-7009	1	Decal-Danger
4	110-6691	2	Decal-Danger
5	105-7015	1	Decal-Routing, Belt
6	3290-282	2	Rivet-Pop
7	321-2	3	Screw-HH
8	3296-42	3	Nut-Lock, NI



42 Inch Deck Decal and Recycler Assembly

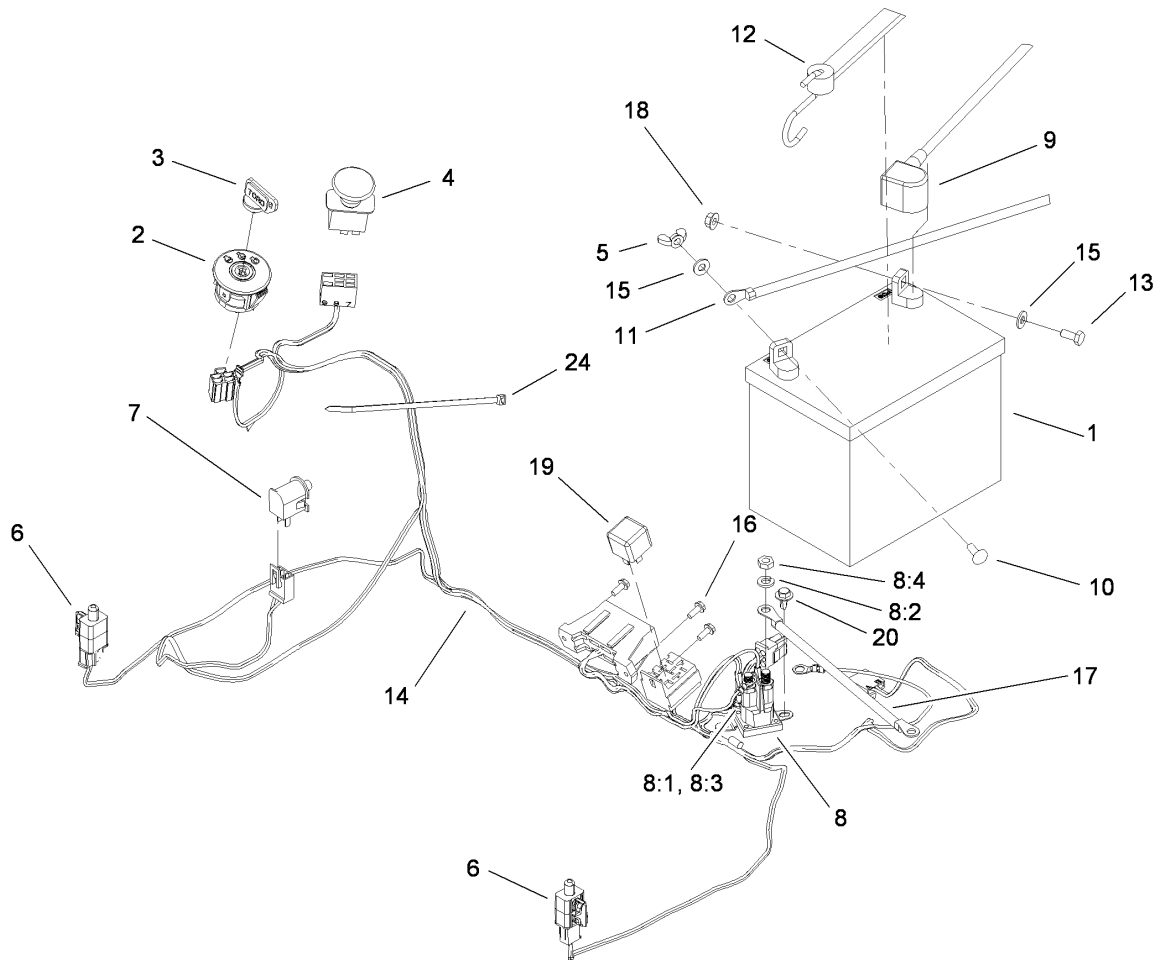
Ref	Part No.	Qty.	Description
7	3296-42	4	Nut-Lock, NI
8	110-6682	1	Cover-Discharge
9	107-7316-03	1	Baffle Upper ASM
10	76-2160	3	Plate-Kicker
11	32144-111	6	Screw-PPH
12	321-15	2	Screw-HH
13	32111-7	2	Nut-Cap
14	322-2	3	Screw-HH
15	32128-25	3	Nut-HF
16	321-3	4	Screw-HH
17	106-8735	1	Decal



42 Inch Deck Spindle and Belt Drive Assembly

Ref	Part No.	Qty.	Description
1	110-6871	1	V-Belt
2	323-8	1	Screw-HH
3	3256-24	2	Washer-Flat
4	106-2175	2	Pulley-Idler, Flat
5	3296-39	1	Nut-Lock, NI
6	114-8540	1	Arm-Idler
7	115-2455	2	Spacer
8	114-0463	2	Washer-Friction, Composite
9	114-8549	1	Bushing
10	322-7	1	Screw-HH
11	3219-6	2	Nut-Hex
12	110-6864	2	Pulley
13	32144-41	8	Screw-Taptite
14	26-0671	2	Screw-Blade
15	3290-465	2	Washer-Belleville
16	106-2248-03	2	Stiffener-Blade
17	106-2247-03	2	Blade
18	3296-29	1	Nut-Lock, NI
19	80-4360	2	Shield-Bearing
20	80-4380	2	Spacer
21	110-6866	2	Shaft-Spindle
22		2	Spindle ASM
22:1	88-4510	1	Housing-Spindle
22:2	100-1048	2	Bearing-Ball

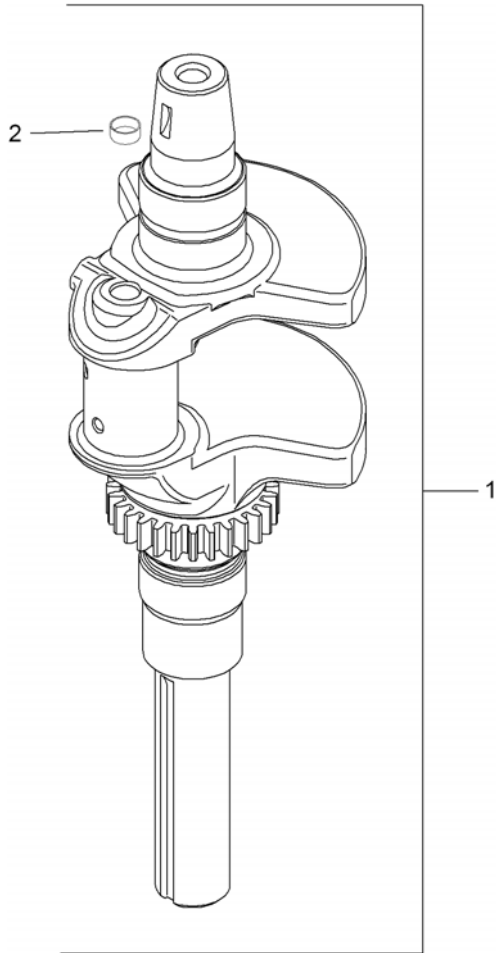
Ref	Part No.	Qty.	Description
22:3	62-3661	1	Spacer-Bearing
23	88-5970	1	Hook-Return, Spring
24	106-2177	1	Spring-Extension
26	323-10	1	Screw-HH



Electrical Assembly

Ref	Part No.	Qty.	Description
1	104-2493	1	Battery
2	110-6764	1	Switch-Ignition
3	63-8360	1	Key-Ignition
4	93-9998	1	Switch-PTO
5	32103-22	1	Nut-Wing
6	110-6765	2	Switch-Single Pole No
7	82-2190	1	Switch-Bail
8	1-513075	1	Switch-Solenoid
8:1	3253-17	2	Washer-Lock
8:2	3253-4	2	Washer-Lock
8:3	3219-14	2	Nut-Hex
8:4	3220-2	2	Nut-Jam
9	110-6794	1	Cable-Battery, Red
10	3229-1	1	Screw-CARR
11	110-6793	1	Cable-Battery, Black
12	104-2466	1	Holddown-Battery
13	321-3	1	Screw-HH
14	114-8533	1	Harness-Wire
15	3256-22	2	Washer-Flat
16	32144-1	3	Screw-Taptite
17	110-6792	1	Cable-Battery, Red
18	32128-33	2	Nut-HF
19	98-7249	1	Relay
20	46-8560	2	Screw-HHF

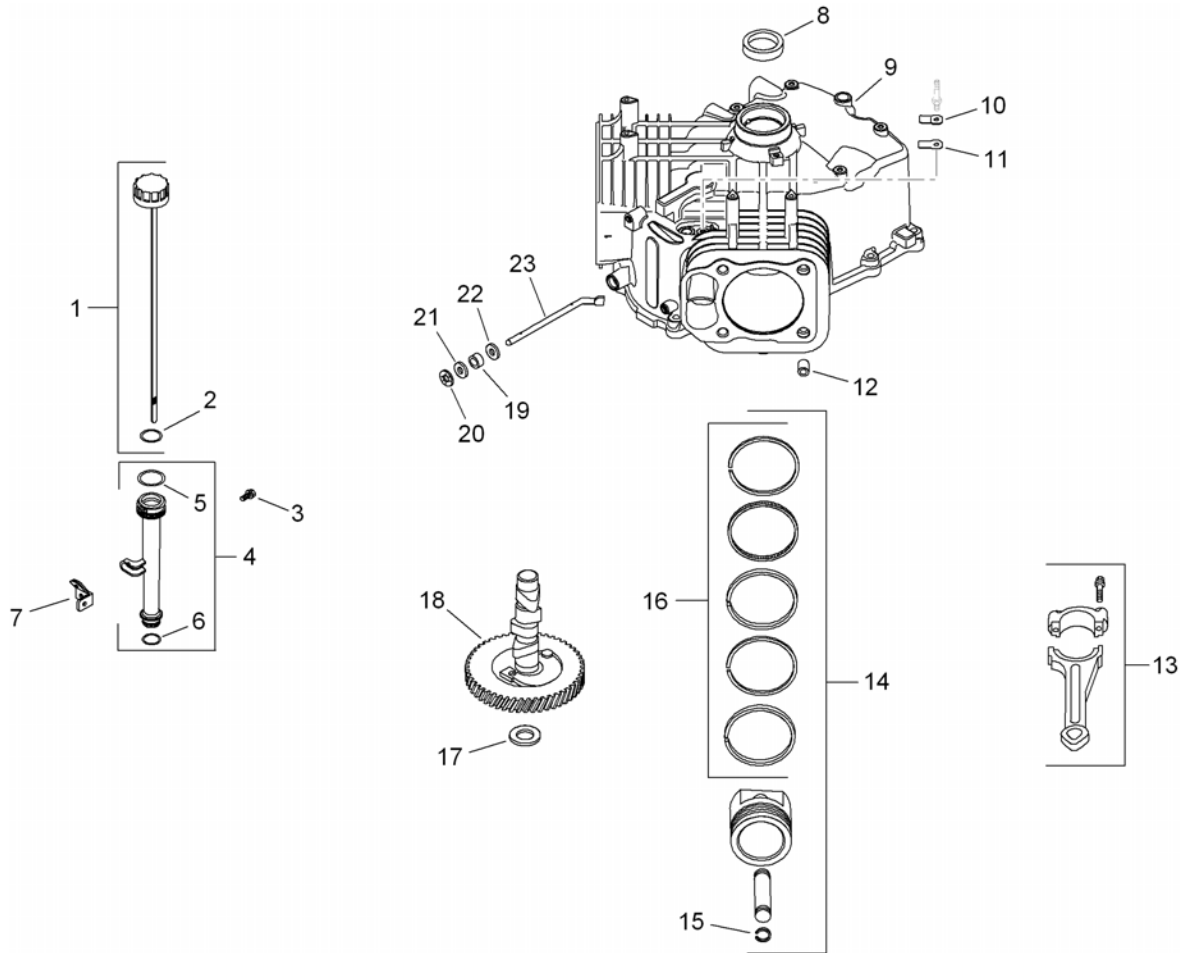
Ref	Part No.	Qty.	Description
24	614249	1	Strap-Tie



**Crankshaft Assembly
Kohler SV710-0027**

Ref	Part No.	Qty.	Description
1	32 014 04-S	1	Crankshaft ASM (Includes 2)
2	52 139 09-S	1	Plug-Cup

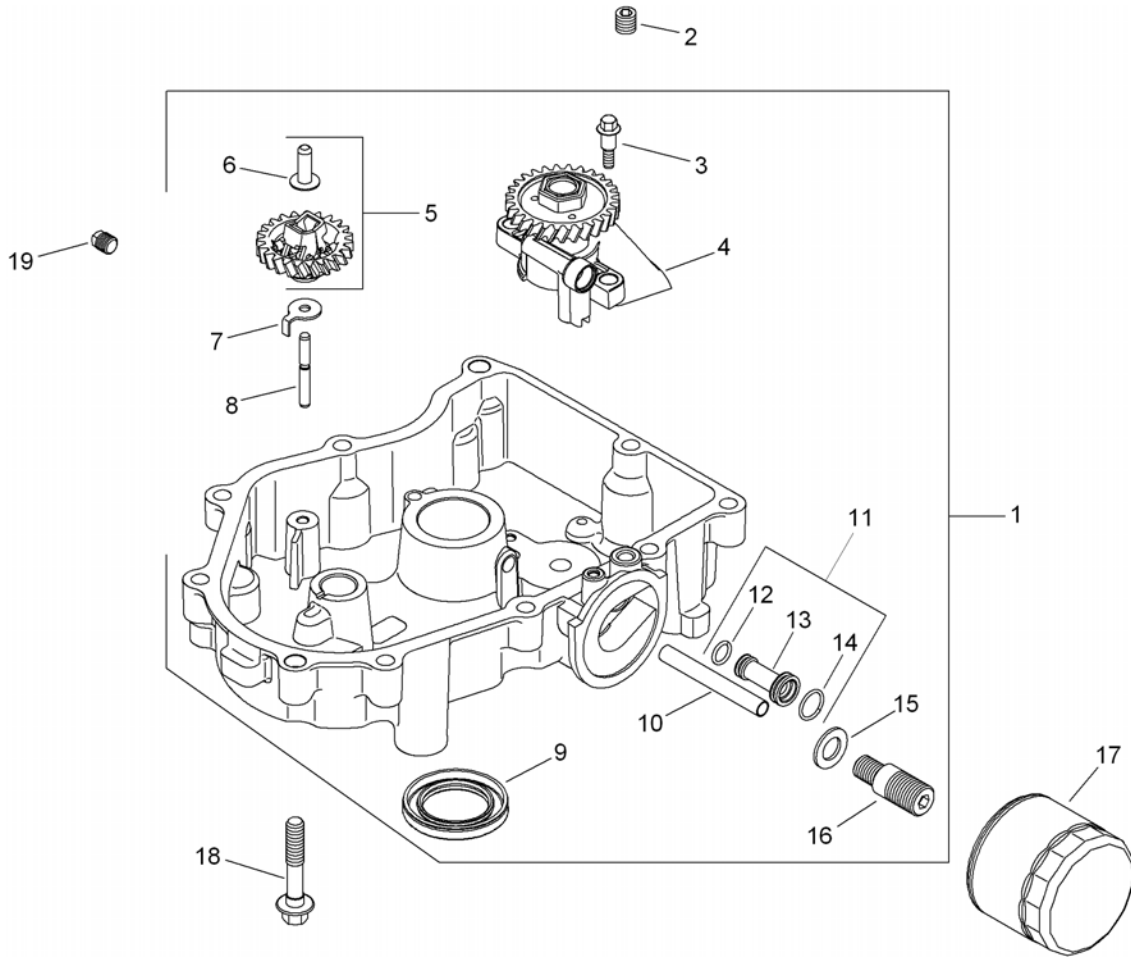
--	--	--	--



Crankcase Assembly Kohler SV710-0027

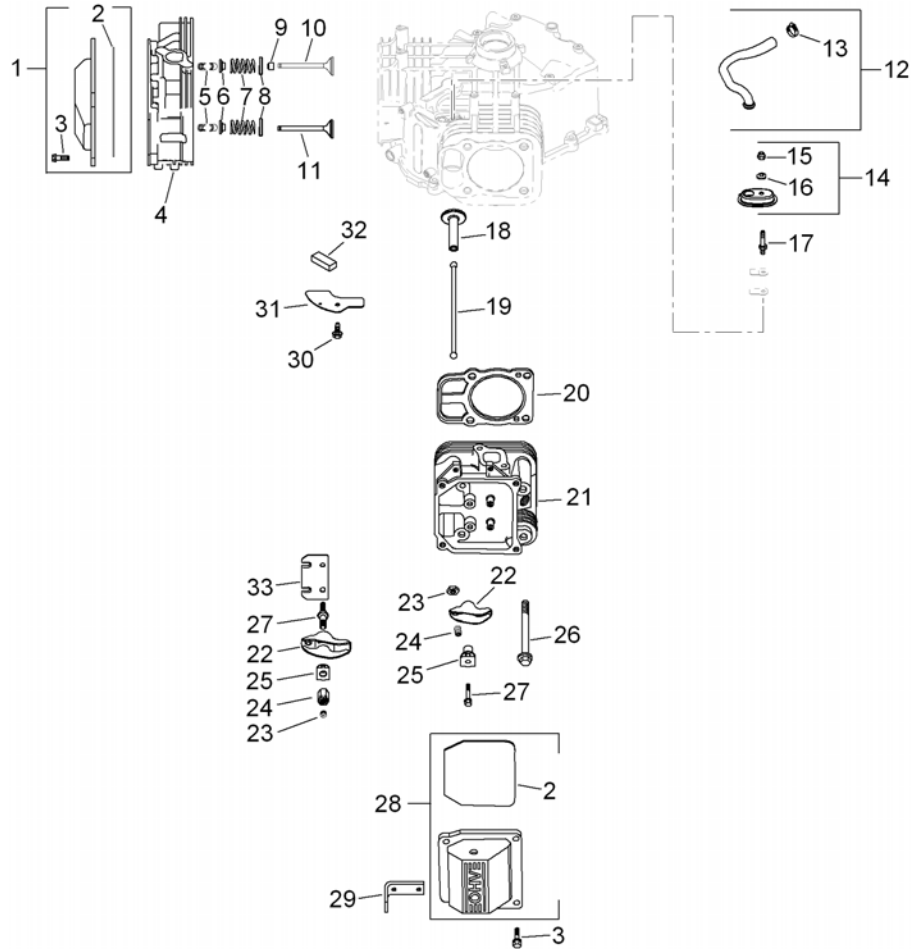
Ref	Part No.	Qty.	Description
❶	24 038 04-S	1	Dipstick ASM
❷	25 153 02-S	1	O-Ring (Dipstick)
❸	M-545013-S	1	Screw-Flg, Thd Frm (M5X0.8X13)
❹	12 123 35-S	1	Tube, Oil Fill Assembly (Includes 5, 6)
❺	12 153 02-S	1	O-Ring (Upper Oil Fill Tube)
❻	12 153 01-S	1	O-Ring (Lower Oil Fill Tube)
❼	24 126 19-S	1	Bracket-Tube, Oil Fill
❽	24 032 19-S	1	Seal-Oil (Helix Lip)
❾	32 522 03	1	Shortblock (Sv710-740 Replacement)
❿	24 018 04-S	1	Retainer-Reed, Breather
⓫	12 402 02-S	1	Reed-Breather
⓬	24 380 16-S	6	Pin-Locating
⓭	24 067 24-S	2	Rod-Connecting (STD)
⓮	25 874 01-S	2	Piston W/Ring Set (STD)
⓯	24 874 27-S	1	Piston W/Ring Set (.08)
⓰	24 874 28-S	1	Piston W/Ring Set (.25)
⓱	24 018 01-S	4	Retainer-Pin, Piston
⓲	24 108 14-S	1	Ring Set (STD)
⓳	24 108 16-S	1	Ring Set (.25)
⓴	12 422 07-S	1	Shim-Camshaft (White .028)
⓵	12 422 08-S	1	Shim-Camshaft (Blue .03)
⓶	12 422 09-S	1	Shim-Camshaft (Red .032)

Ref	Part No.	Qty.	Description
⓷	12 422 10-S	1	Shim-Camshaft (Yellow .034)
⓸	12 422 11-S	1	Shim-Camshaft (Green .036)
⓹	12 422 12-S	1	Shim-Camshaft (Gray .038)
⓺	12 422 13-S	1	Shim-Camshaft (Black .04)
⓻	32 012 01-S	1	Camshaft Kit
⓼	28 032 09-S	1	Seal-Cross Shaft, Governor
⓽	24 018 09-S	1	Retainer-Ring
⓾	M-931010-S	1	Washer-Flat (9Mm)
⓿	24 468 15-S	1	Washer-Flat (11/32)
⓿	24 144 38-S	1	Shaft-Cross, Governor
⓿	25 357 14-S	1	Lubricant-Camshaft



Oil Pan and Lubrication Assembly Kohler SV710-0027

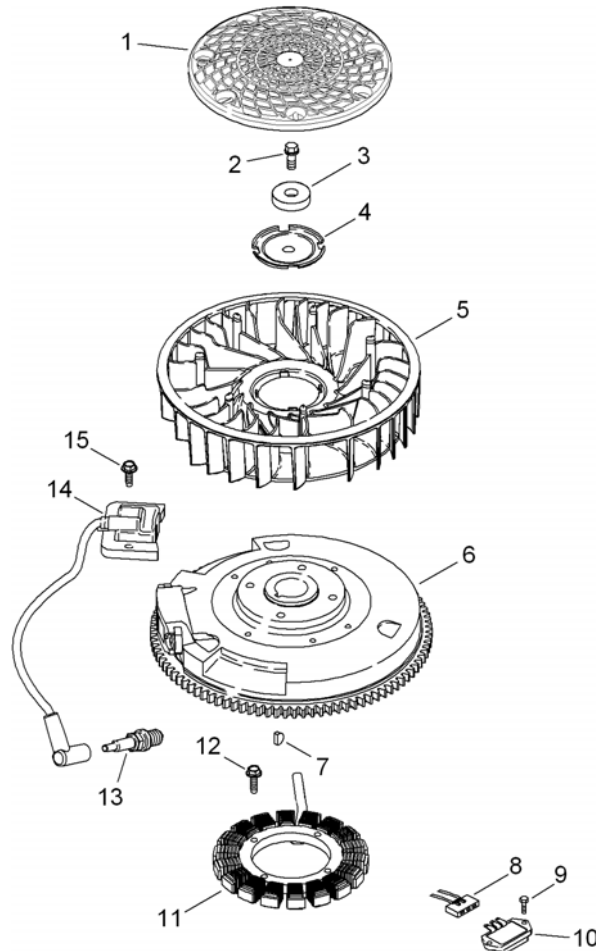
Ref	Part No.	Qty.	Description
❶	32 199 07-S	1	Oil Pan ASM (Includes 3-16)
❷	25 139 60-S	1	Plug-Pipe, Countersunk (1/8)
❸	32 086 01-S	2	Screw-Shoulder, Thd Frm (M6X1.0X26.5)
❹	32 393 10-S	1	Oil Pump ASM
❺	24 043 12-S	1	Governor Gear W/Pin Kit
❻	12 380 01-S	1	Pin-Regulating, Governor
❼	24 448 02-S	1	Tab-Locking
❽	12 144 02-S	1	Shaft-Gear, Governor
❾	25 032 06-S	1	Seal-Oil
❿	32 123 01-S	1	Tube-Feed, Oil (Filter To Pan)
⓫	32 123 09-S	1	Oil Feed Tube ASM (Includes 12-14)
⓬	24 153 01-S	1	O-Ring
⓭	32 123 06-S	1	Tube, Oil Feed
⓮	32 153 05-S	1	O-Ring (Oil Filter Adapter)
⓯	32 468 02-S	1	Washer, Flat
⓰	32 136 05-S	1	Nipple, Oil Filter
⓱	12 050 01-S	1	Filter-Oil
⓲	24 086 17-S	10	Screw-Flange (M8X1.25X45)
⓳	25 139 57-S	1	Plug-Pipe, Sq HD (3/8)



Head, Valve and Breather Assembly Kohler SV710-0027

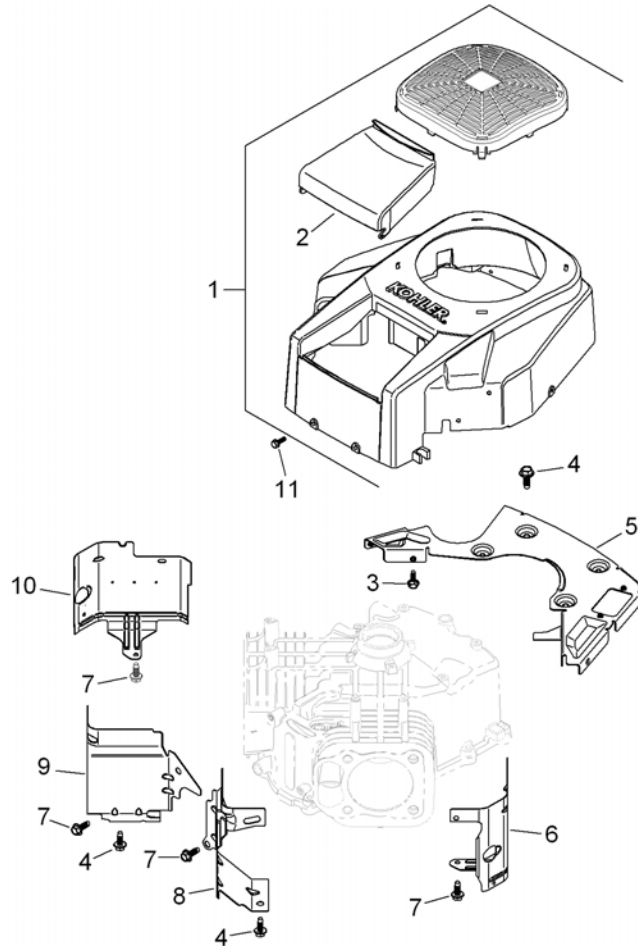
Ref	Part No.	Qty.	Description
❶1	24 755 141-S	1	Plain Rocker Cover Kit (Includes 2 [qty 1], 3 [qty 4])
❶2	24 153 30-S	2	O-Ring (Valve Cover)
❶3	M-651030-S	8	Screw-Flange (M6X1.0X30)
❶4	32 318 13-S	1	Cylinder Head No.1 ASM (Includes 26 [qty 4], 20)
❶5	12 755 03-S	4	Retainer Kit
❶6	12 173 01-S	4	Cap-Spring, Valve
❶7	24 089 02-S	4	Spring-Valve
❶8	235011-S	4	Retainer-Spring
❶9	66 032 05-S	2	Seal-Stem, Valve
❶10	24 017 01-S	2	Intake Kit (STD)
❶11	24 016 01-S	2	Valve-Exhaust (STD)
❶12	32 326 06-S	1	Breather Hose Kit
❶13	25 237 14-S	5	Clamp-Hose, Spring (1/2)
❶14	32 081 02-S	1	Breather Housing Kit
❶15	M-547050-S	1	Nut-Lock (M5X.8)
❶16	32 468 01-S	1	Washer-Sealing
❶17	32 072 03-S	1	Stud-Cover, Breather
❶18	32 019 02-S	4	Tappet Kit
❶19	32 411 04-S	4	Rod-Push
❶20	24 841 03-S	2	Cylinder Head Gasket Kit
❶21	32 318 14-S	1	Cylinder Head No.2 ASM (Includes 26 [qty 4], 20)
❶22	32 186 03-S	4	Arm-Rocker

Ref	Part No.	Qty.	Description
❶23	25 100 33-S	4	Nut (M10X0.75)
❶24	25 086 128-S	4	Screw-Set
❶25	25 599 01-S	4	Pivot-Arm, Rocker
❶26	12 086 16-S	8	Screw-Flange (M10X1.5X90)
❶27	32 072 04-S	4	Stud-Rocker
❶28	32 096 06-S	1	Breather Valve Cover Kit (Includes 2 [qty 1])
❶29	25 445 01-S	1	Strap-Lifting
❶30	M-645016-S	1	Screw-Flange, Thread Forming (M6X1.0X16)
❶31	32 096 04-S	1	Breather Cover Kit
❶32	32 050 01-S	1	Filter-Breather
❶33	32 146 09-S	2	Plate-Guide
❶❶	32 755 03-S	2	Cylinder Head Hardware Kit (Services 1 Head-Qty Listed For Both Heads)



Ignition and Electrical Assembly Kohler SV710-0027

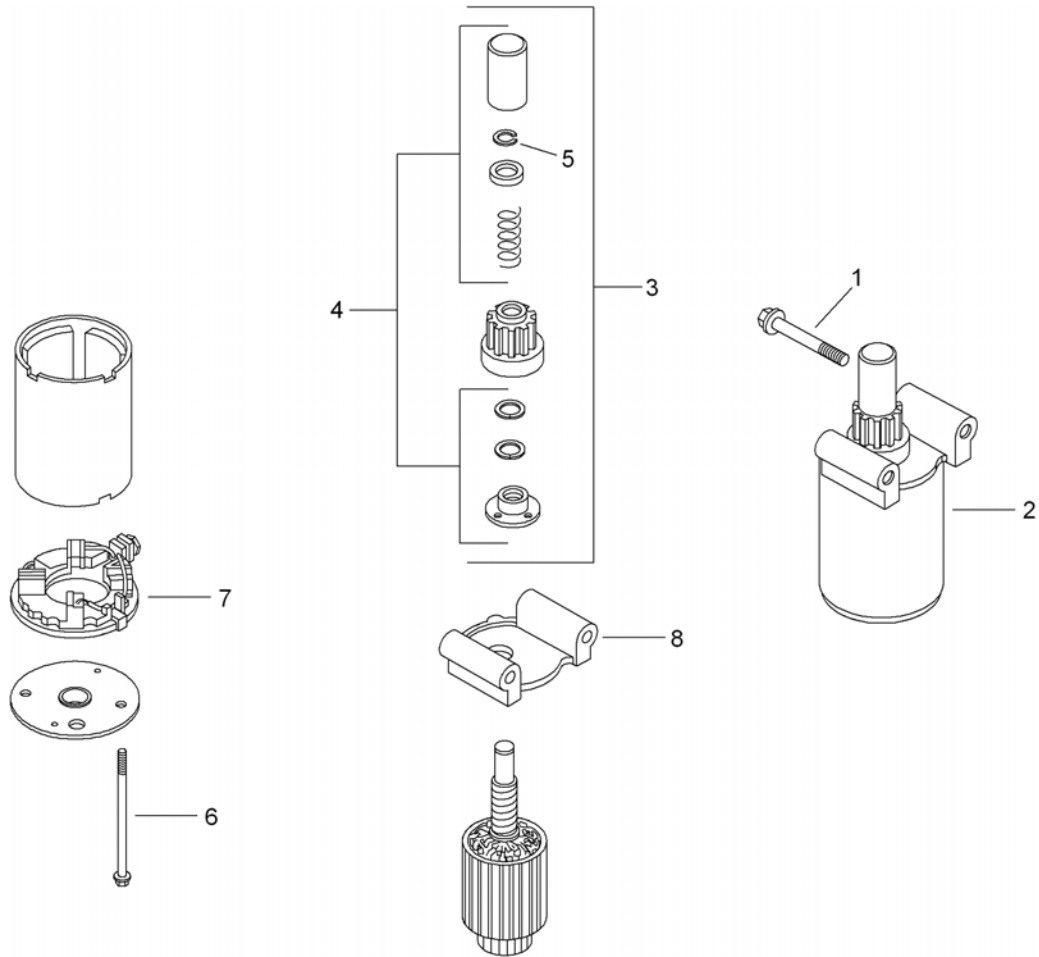
Ref	Part No.	Qty.	Description				
1	32 162 03-S	1	Screen-Grass				
2	12 086 14-S	1	Screw-Flange (M10X1.5X45)				
3	12 468 03-S	1	Washer-Flat (13/32)				
4	20 146 05-S	1	Plate-Mounting, Fan				
5	32 157 01-S	1	Fan				
6	32 025 16-S	1	Flywheel ASM (Sv710/Sv730)				
7	X-42-15-S	1	Key (3/16 X 5/8)				
8	25 155 41-S	1	Connector (3 Contact)				
9	M-545016-S	2	Screw-Flange, Thread Forming (M5X0.8X16)				
10	41 403 10-S	1	Rectifier/Regulator				
11	237878-S	1	15 Amp Stator Kit (Includes 25 452 01-S)				
12	M-548025-S	2	Screw-Thread Forming (M5X0.8X25)				
13	25 132 14-S	2	Spark Plug (R F I)				
14	24 584 45-S	2	Module-Ignition (Cdi Fixed)				
15	M-545020-S	4	Screw-Flange, Thread Forming (M5X.8X20)				
15	25 454 03-S	2	Tie-Wire				
15	25 454 05-S	1	Tie				
15	32 176 14-S	1	Wire Harness Kit				
15	25 454 05-S	1	Tie				
15	25 452 01-S	2	Terminal				



Blower Housing Assembly Kohler SV710-0027

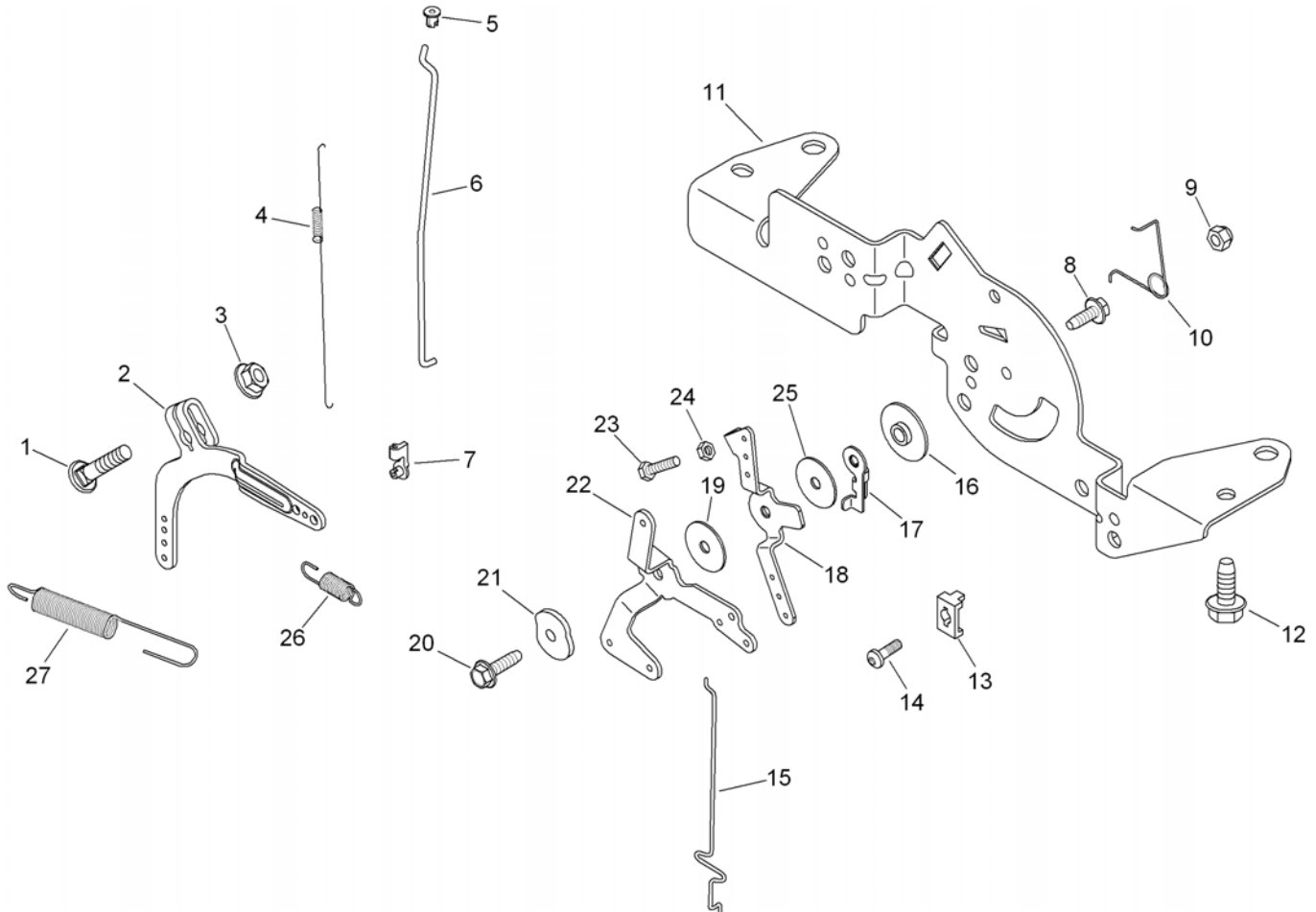
Ref	Part No.	Qty.	Description
❶	32 027 08-S	1	Blower Housing ASM (Fixed Guard) (Includes 2, 41 037 10-S)
❷	32 096 08-S	1	Cover-Air Cleaner
❸	M-545010-S	5	Screw-Flange, Thread Forming (M5X.8X10)
❹	M-545016-S	6	Screw-Flange, Thread Forming (M5X0.8X16)
❺	32 146 05-S	1	Plate-Backing
❻	32 063 12-S	1	Baffle-Barrel, Cylinder (No.2 Side)
❼	M-645016-S	8	Screw-Flange, Thread Forming (M6X1.0X16)
❽	32 063 02-S	1	Baffle-Valley (No.2 Side)
❾	32 063 03-S	1	Baffle-Valley (No.1 Side)
❿	32 063 10-S	1	Baffle-Barrel, Cylinder (No.1 Side)
⓫	24 086 12-S	2	Screw-TAP (M6X1.7X18)
⓬	32 113 11-S	1	Decal-Guard, Fixed
⓭	41 037 10-S	1	Nameplate-Service

--	--	--	--



Starter Assembly Kohler SV710-0027

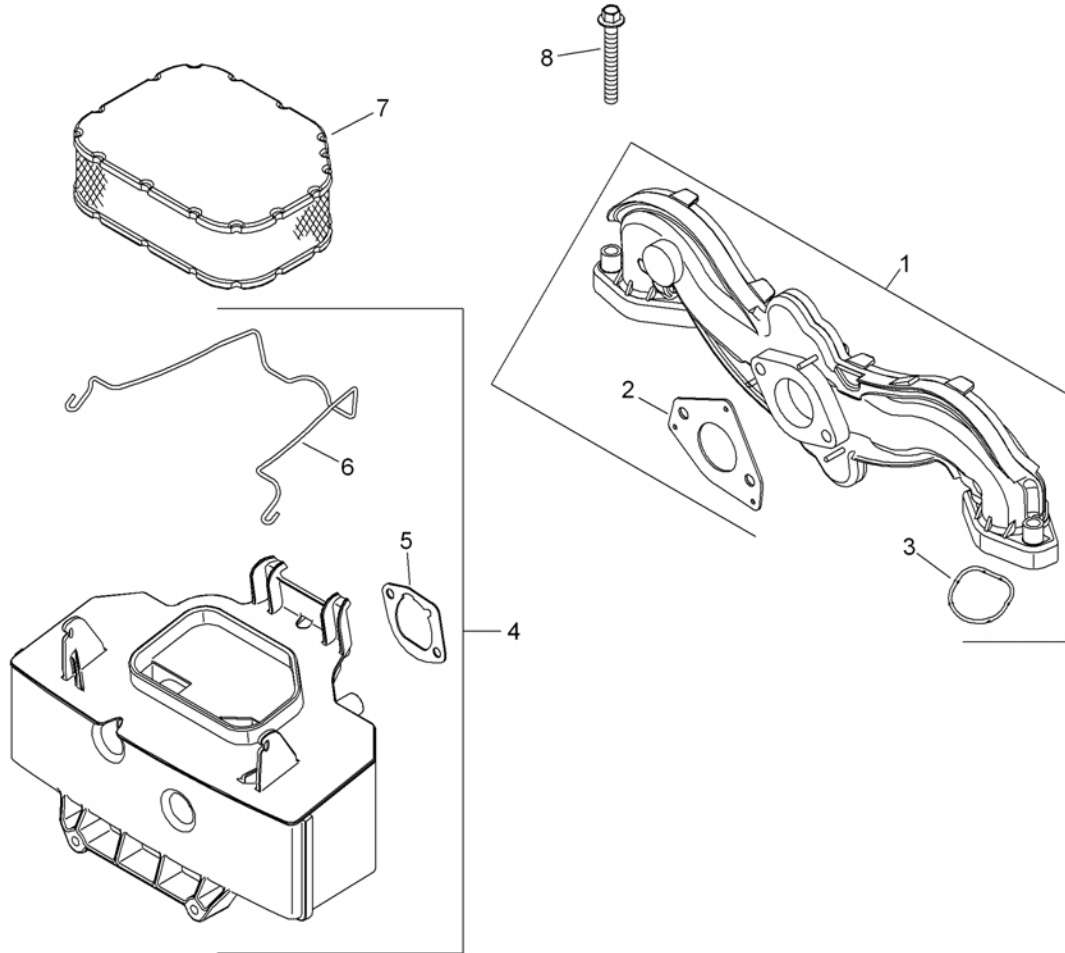
Ref	Part No.	Qty.	Description
1	M-851080-S	2	Screw-Flange (M8X1.25X80)
2	32 098 01-S	1	Starter ASM
3	12 755 39-S	1	Drive Kit
4	12 755 38-S	1	Drive Parts Kit (Includes 5)
5	32 141 01-S	1	Ring-Retaining
6	32 211 01-S	2	Bolt-Thru
7	12 243 04-S	1	Commutator-Cap, End
8	32 227 01-S	1	Cap-End, Drive
6	32 211 01-S	2	Bolt-Thru
7	12 243 04-S	1	Commutator-Cap, End
8	32 227 01-S	1	Cap-End, Drive



Engine Control Assembly Kohler SV710-0027

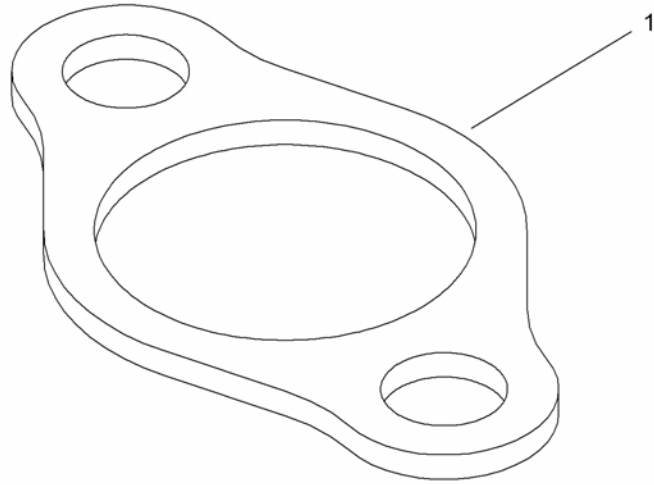
Ref	Part No.	Qty.	Description
❶	24 211 03-S	1	Bolt-Sq Neck, Rd HD (M6X1.0X25)
❷	24 090 51-S	1	Lever-Governor
❸	M-641060-S	1	Nut-Flange (M6X1.0)
❹	24 089 01-S	1	Spring-Linkage
❺	25 158 08-S	1	Bushing-Retaining, Linkage
❻	24 079 04-S	1	Linkage-Throttle
❼	25 158 11-S	1	Bushing-Linkage, Throttle
❽	M-545016-S	1	Screw-Flange, Thread Forming (M5X0.8X16)
❾	M-547050-S	1	Nut-Lock (M5X.8)
❿	24 089 03-S	1	Spring-Return, Choke
⓫	24 126 161-S	1	Bracket-Control
⓬	M-645016-S	4	Screw-Flange, Thread Forming (M6X1.0X16)
⓭	12 237 01-S	2	Clamp-Cable
⓮	24 086 43-S	2	Screw-Lbd, Thd Frm (M5X0.8X16)
⓯	24 079 22-S	1	Linkage-Choke
⓰	24 112 27-S	1	Space-Control ASM
⓱	24 090 47-S	1	Lever-Actuator, Throttle
⓲	24 090 13-S	1	Lever-Control, Throttle
⓳	24 468 01-S	1	Washer-Flat (5.5Mm)
⓴	M-545020-S	1	Screw-Flange, Thread Forming (M5X.8X20)
⓵	41 468 03-S	1	Washer-Spring (1/4)

Ref	Part No.	Qty.	Description
⓶	24 090 05-S	1	Lever-Choke
⓷	M-403025-S	1	Screw-Slotted Head (M4X0.7X25)
⓸	M-446030-S	1	Nut (M4X0.7)
⓹	24 468 20-S	1	Washer-Flat (5Mm)
⓺	24 089 55-S	1	Spring-Governor
⓻	24 089 56-S	1	Spring-Governor



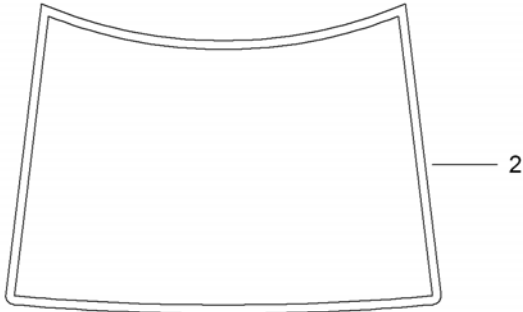
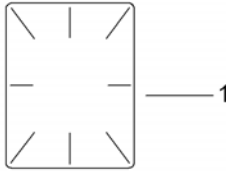
Air Intake and Filtration Assembly Kohler SV710-0027

Ref	Part No.	Qty.	Description
❶	24 164 91-S	1	Manifold-Intake (Includes 2, 3)
❷	24 041 52-S	1	Gasket-Carburetor
❸	24 153 27-S	2	O-Ring
❹	32 094 04-S	1	Air Cleaner Base Kit (Includes 5, 6)
❺	24 041 14-S	1	Gasket-Base, Air Cleaner
❻	32 344 02-S	1	Latch-Element, Air Cleaner
❼	32 083 03-S	1	Element-Filter, Air
❽	M-651040-S	4	Screw-Flange (M6X1.0X40)



Exhaust Assembly Kohler SV710-0027

Ref	Part No.	Qty.	Description
1	24 041 49-S	2	Gasket-Exhaust
1	32 755 01-S	1	Overhaul Gasket Kit



Artwork is representative
 Actual labels may differ depending on model and specification number

Decal Set
Kohler SV710-0027

Ref	Part No.	Qty.	Description
1	25 113 39-S	1	Decal-Laminate, Clear
2	32 113 06-S	1	Decal-20 Hp

Attachments and Accessories

For 74381 - TimeCutter Z4202 Riding Mower

Product Name	Model/Part
Smooth Tread Front Tire Kit	110-6739
Hour Meter Kit	112-9763
42 Inch Blowout Ring Kit	114-1620
Armrest Kit	79212
42 Inch Replacement Blade Kit	79220
Foot Assist Cutting Unit Lift Kit	79313
Engine Cover Kit	79314
Floor Mat Kit	79315
Rear Hitch Kit	79318
42 Inch and 50 Inch Twin Bagger	79324

