



LX466 Lawn Tractor

Model No. 13AT61RH044 - 1L137H10100 and up.

Model No. 13RT61RH044 - 1L137H10100 and up.

Model No. 13RT61RH244 - 1L137H10100 and up.

Parts Catalog

Ordering Replacement Parts

To order replacement parts, please supply the part number, the quantity, and the description of each part desired.

Understanding Reference Numbers

Each identified part in an illustration has a reference number. The reference number for a part also appears in the parts list, along with other information about the part.

This catalog uses two special reference number formats, one to indicate parts in a service assembly and another to indicate the quantity of a given part in an illustration.

Service Assembly Reference Numbers

Parts in service assemblies have reference numbers in the form a:b. The a represents the reference number of the entire service assembly and the b represents a sequential number unique to each part within the service assembly.

For example, a wheel assembly might be identified by reference number 6, the tire by 6:1, the valve by 6:2, and the wheel by 6:3. When you order the assembly identified by reference number 6, you receive all parts identified by reference numbers 6:1, 6:2, and 6:3. However, you may also order any part individually. Reference numbers of this type appear in illustrations and in part lists.

Reference Numbers Indicating Quantity

In an illustration, if a reference number indicates more than one part, the reference number has the form nX y. The n represents the quantity of the part, the X is the multiplication symbol, and the y represents the reference number.

For example, in an illustration, the reference number 2X 37 means that two of the parts identified by reference number 37 are indicated.

Contents

Description	Page	Description	Page
Front and Rear Wheel Assembly 3	Crankcase Cover and Sump Assembly Briggs and Stratton 407777-0550-E1 19
Muffler and Shield Assembly 4	Intake Manifold Assembly Briggs and Stratton 407777-0550-E1 20
Steering and Front Axle Assembly 5	Carburetor and Fuel Pump Assembly Briggs and Stratton 407777-0550-E1 21
Frame, Battery and PTO Assembly 6	Governor Control Assembly Briggs and Stratton 407777-0550-E1 22
Seat, Fender and Deck Lift Assembly 8	Blower Housing Assembly Briggs and Stratton 407777-0550-E1 23
Hood, Dash and Fuel Tank Assembly 9	Starter Assembly Briggs and Stratton 407777-0550-E2 24
Transmission, Belt, Traction and Brake Pedal Assembly 10	Flywheel and Rotating Screen Assembly Briggs and Stratton 407777-0550-E1 25
Transmission Assembly No. 112-6019 12	Engine Gasket and Carburetor Overhaul Kits Briggs and Stratton 407777-0550-E1 26
46 Inch Deck Assembly 14	Attachments and Accessories List 27
Cylinder Assembly Briggs and Stratton 407777-0550-E1 16		
Cylinder Head Assembly Briggs and Stratton 407777-0550-E1 17		
Crankshaft and Piston/Ring Assembly Briggs and Stratton 407777-0550-E1 18		

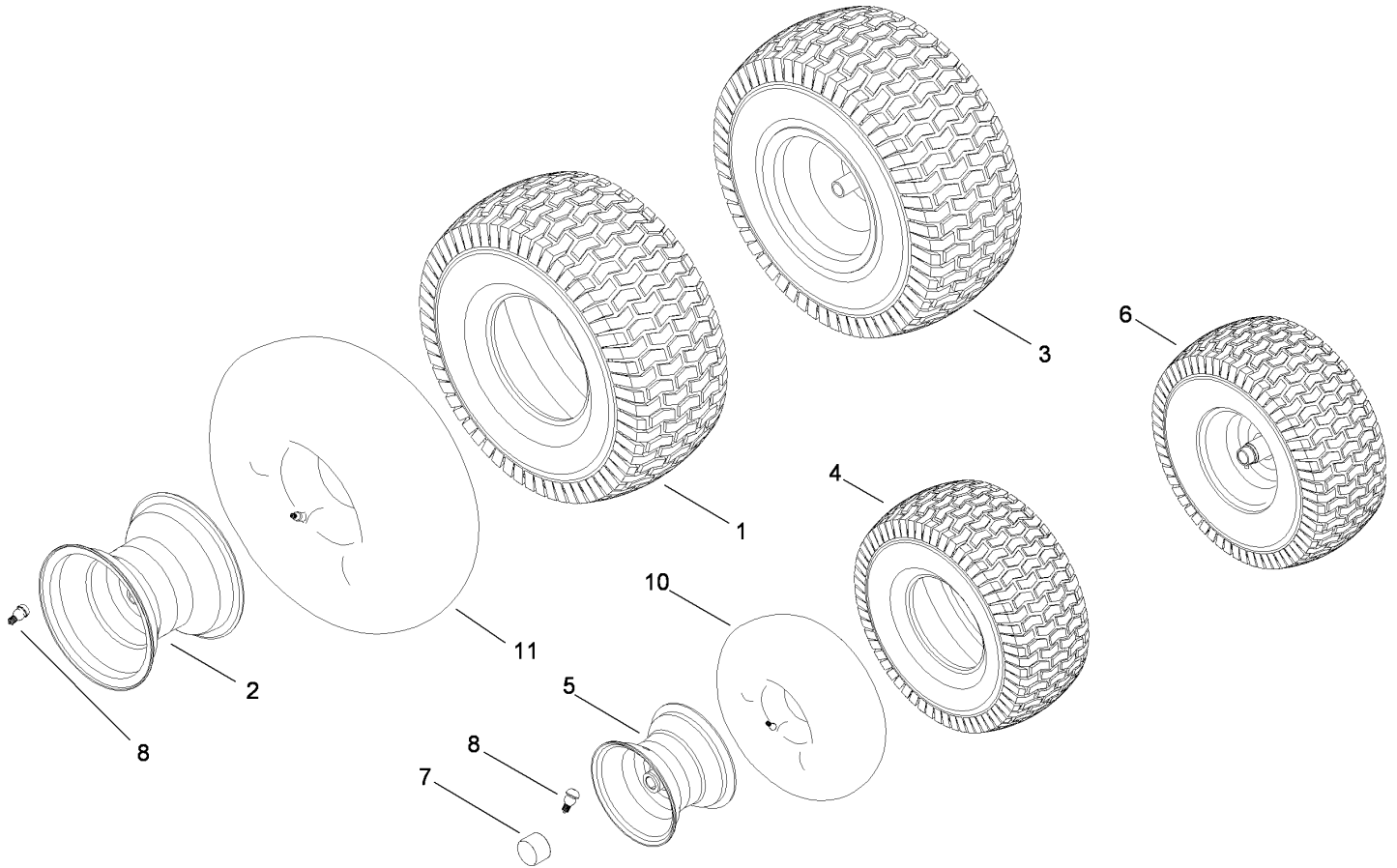
Part Description Abbreviations

Part descriptions in this catalog may include the following abbreviations.

AR. as required	HYD. hydraulic
ASM. assembly	LH. left hand
BBC. blade brake clutch	NI. nylon insert
CARR. carriage	NPTF. national pipe thread fine
DEG. degrees	PFH. phillips flat head
EXT. external	PPH. phillips pan head
FH. flat head	PPHTF. phillips pan head thread forming
GA. gauge	PRH. phillips round head
HD. heavy-duty	PTH. phillips truss head
HF. hex flange	PTO. power-take-off
HH. hex head	RH. right hand
HHF. hex head flange	ROPS. roll-over protection system
HHFTF. hex head flange thread forming	SFH. slotted fillister head
HJ. hex jam	SHH. slotted hex head
HLH. hex lag head	SHWH. slotted hex washer head
HOC. height-of-cut	SPH. slotted pan head
HSBH. hex socket button head	SQH. square head
HSFH. hex socket flat head	SRH. slotted round head
HSH. hex socket head	STD. standard
HWH. hex washer head	TAP. self tapping
HWHTF. hex washer head thread forming	TTH. torx truss head

Footnotes

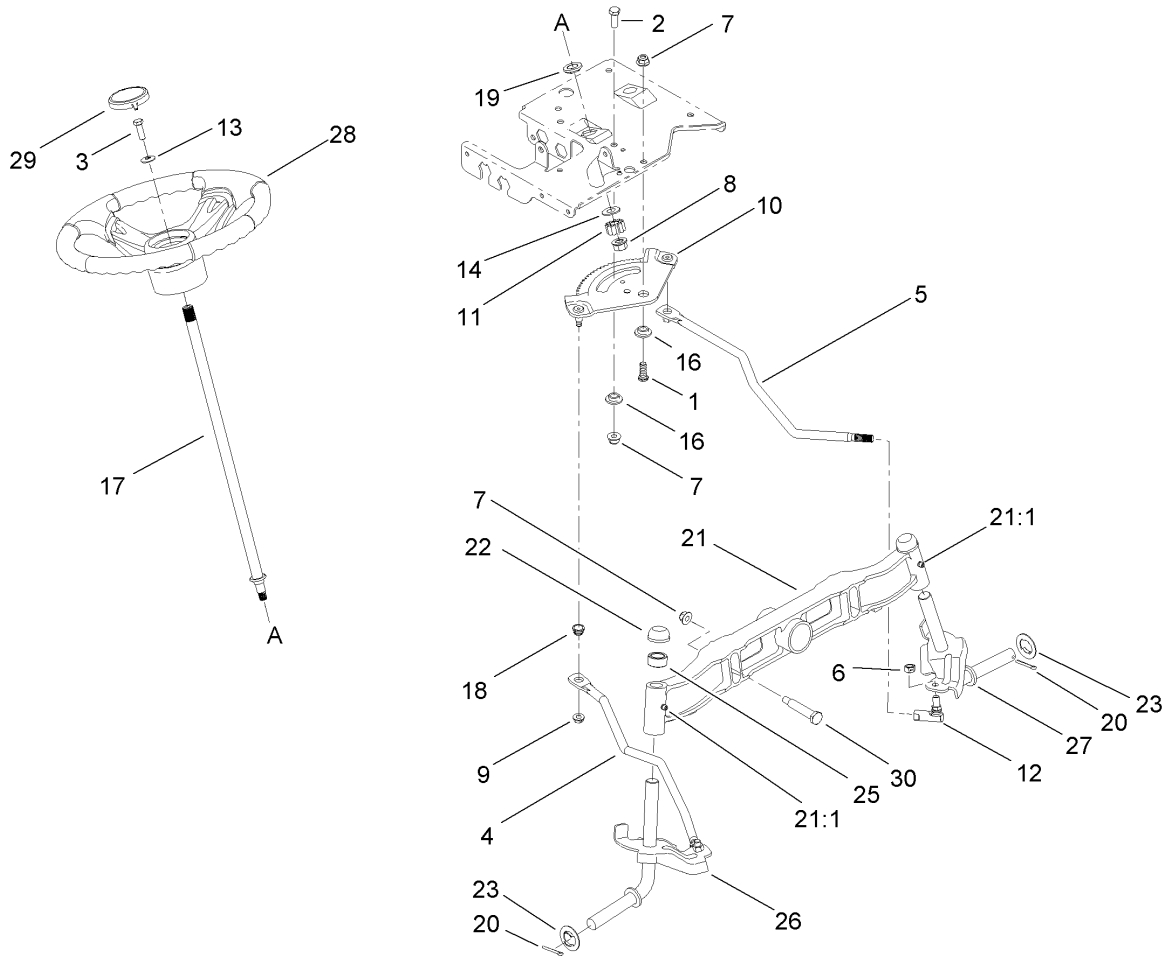
- | | |
|---|---|
| <ul style="list-style-type: none"> ❶ Not illustrated ❷ Included in Carburetor Overhaul Kit (Ref. No. 121) ❸ Included in Valve Gasket Set (Ref. No. 1095) | <ul style="list-style-type: none"> ❹ Obtain from your local Briggs & Stratton dealer ❺ Included in Engine Gasket Set (Ref. No. 358) |
|---|---|



Front and Rear Wheel Assembly

Ref	Part No.	Qty.	Description
1	112-0713	1	Tire-Multi Trac
2	112-6093	1	Rim-Wheel, Rear
3	112-0496	1	Rear Wheel ASM
4	112-0576	1	Tire-Front
5	112-0468	1	Rim-Wheel, Front
6	112-0491	1	Front Wheel ASM
7	112-5968	1	Cap-Hub
8	112-0503	1	Valve-Air, Tubeless
10	232-39	1	Tube-Inner
11	93-3893	1	Tube-Inner

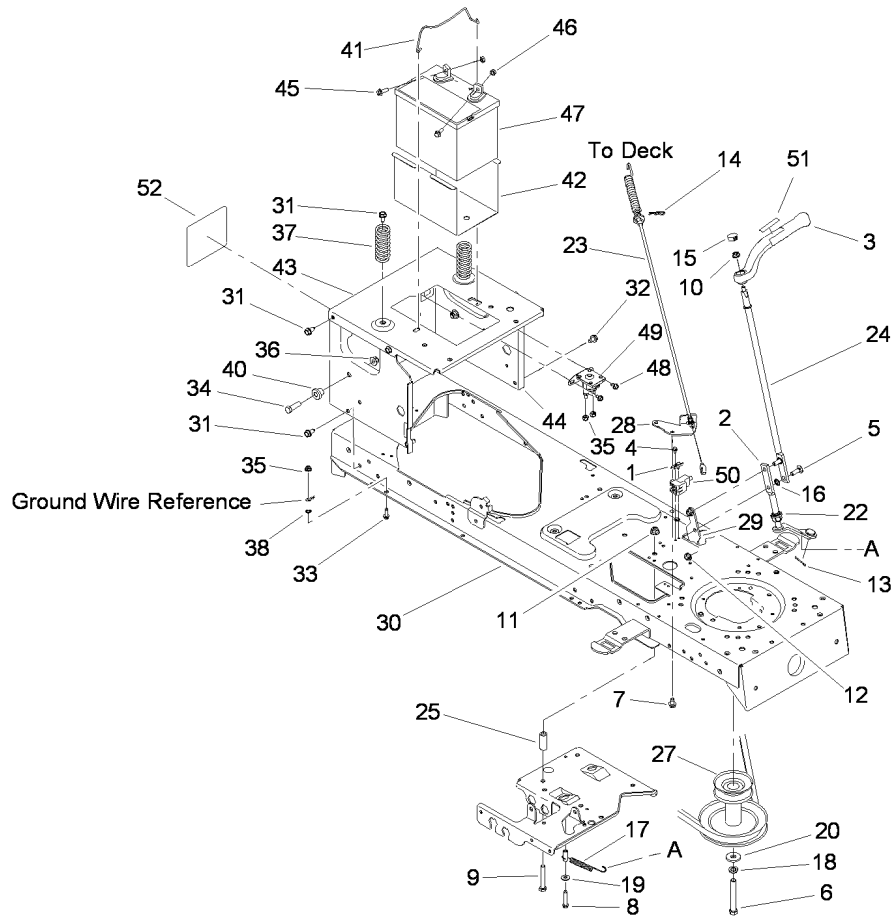
--	--	--	--



Steering and Front Axle Assembly

Ref	Part No.	Qty.	Description
1	112-0631	1	Screw-HH
2	112-0492	1	Screw-HH
3	112-0473	1	Screw-HH
4	112-0355	1	Link-Drag, RH
5	112-0346	1	Link-Drag, LH
6	112-0483	1	Nut-Hex, Lock
7	112-0668	1	Nut-Lock, Flange
8	112-0859	1	Nut-Lock, Flange
9	112-0511	1	Nut-Lock, Flange
10	112-0862	1	Gear-Steering
11	112-0863	1	Gear-Pinion, Steering
12	112-0917	1	Ball Joint ASM
13	112-0924	1	Washer-Flat
14	112-0925	1	Washer-Flat
16	112-0881	1	Spacer-Shoulder
17	112-6097	1	Shaft-Steering
18	112-0929	1	Bushing
19	112-6098	1	Bearing-Flange, Hex
20	112-0860	1	Pin-Cotter
21	112-6099	1	Pivot-Axle, Cast Iron
21:1	112-0926	1	Fitting-Grease
22	112-0323	1	Cap
23	112-5972	1	Washer-Flat
25	112-6136	1	Spacer

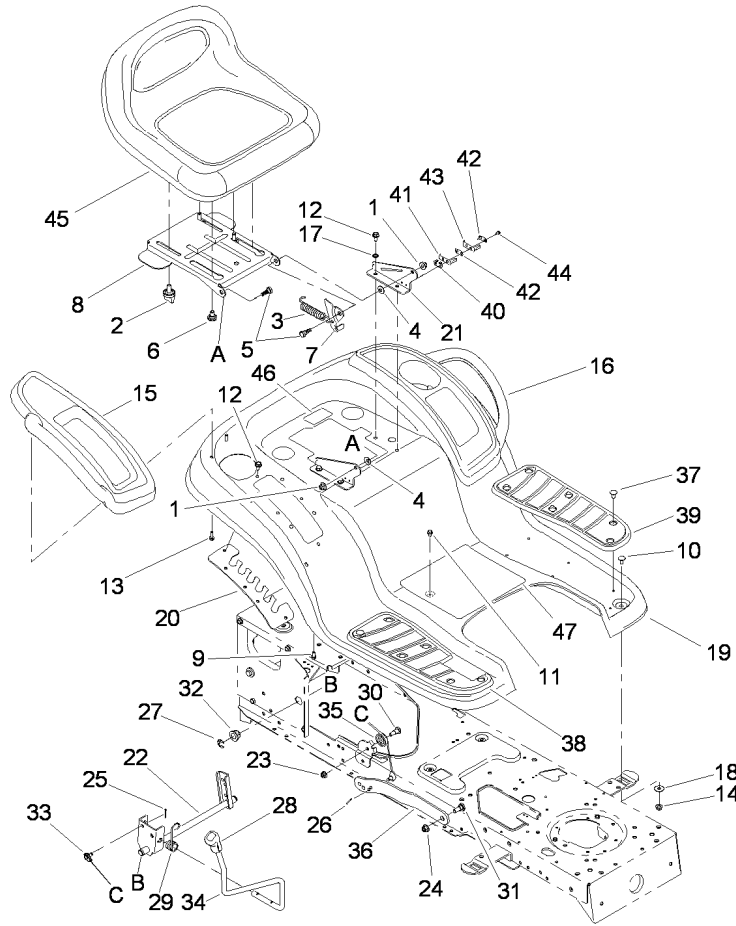
Ref	Part No.	Qty.	Description
26	112-6015	1	RH Axle ASM
27	112-6016	1	LH Axle ASM
28	112-6100	1	3 Spoke Wheel Steering ASM
29	112-3734	1	Cap-Wheel, Steering
30	112-0699	1	Bolt-Shoulder



Frame, Battery and PTO Assembly

Ref	Part No.	Qty.	Description
1	112-0671	1	Plate-Switch
2	112-6007	1	Lever-Engage, PTO
3	112-6101	1	Knob PTO ASM
4	112-0651	1	Screw-TAP
5	112-0598	1	Bolt-CARR
6	112-6139	1	Screw-HH
7	112-0676	1	Screw-TAP
8	112-0843	1	Screw-HWH
9	112-0700	1	Screw-HH
10	112-6102	1	Nut-Flange, Lock
11	112-0668	1	Nut-Lock, Flange
12	112-0511	1	Nut-Lock, Flange
13	112-6010	1	Pin-Cotter
14	112-0398	1	Pin-Click
15	112-6103	1	Plug-Knob, PTO Lever
16	112-0645	1	Nut-Push
17	112-0567	1	Spring-Extension
18	112-0428	1	Washer-Lock
19	112-3695	1	Washer-Flat
20	112-0380	1	Washer-Flat
22	112-0384	1	Bearing-Flange, Hex (Split)
23	112-6137	1	Cable-Engage, Deck
24	112-6104	1	Rod-Engage, Deck
25	112-0433	1	Spacer

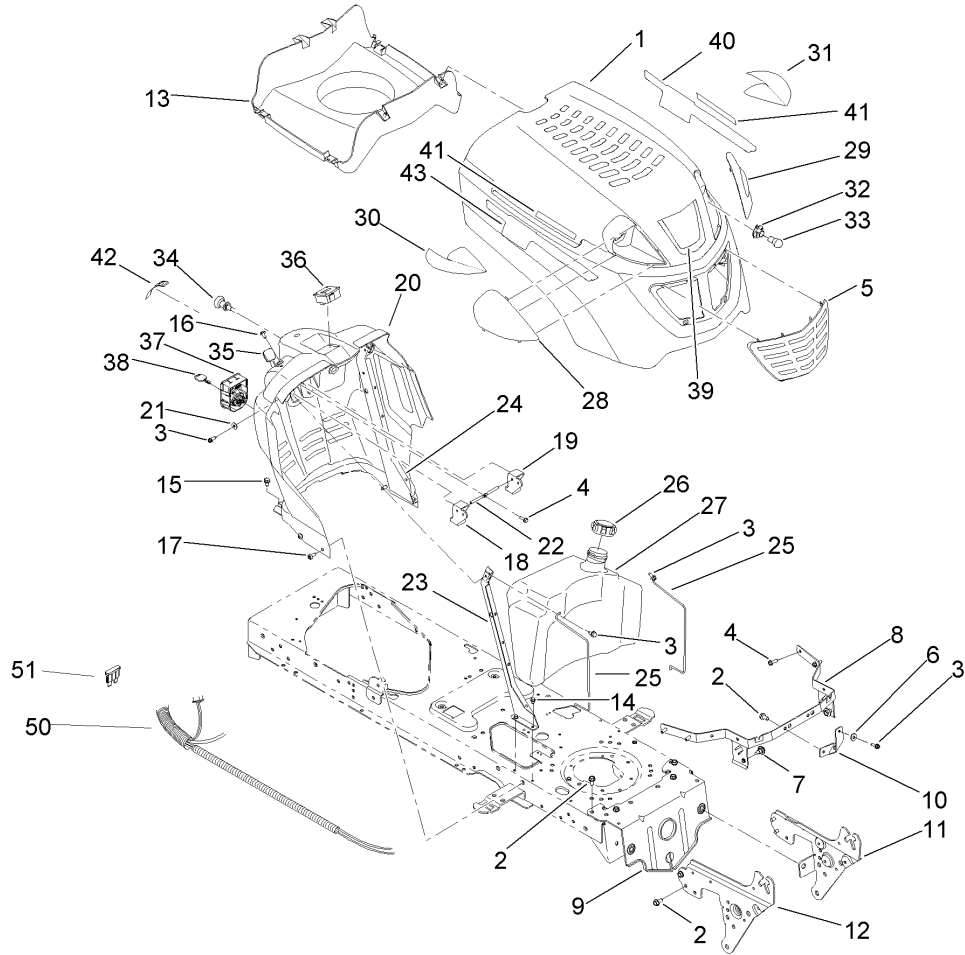
Ref	Part No.	Qty.	Description
27	112-6106	1	Pulley-Engine
28	112-6105	1	Bracket-Mount, Cable
29	112-0516	1	Bracket-Stop
30	112-5974	1	Lower Frame ASM
31	112-6070	1	Screw-TAP
32	112-0676	1	Screw-TAP
33	112-0587	1	Screw-TAP
34	112-0557	1	Screw-HH
35	112-0636	1	Nut-Lock, Flange
36	112-0668	1	Nut-Lock, Flange
37	112-0501	1	Spring-Compression
38	112-0703	1	Washer-Lock, External
40	112-0661	1	Spacer-Shoulder
41	112-0581	1	Rod-Holddown, Battery
42	112-0570	1	Tray-Battery
43	112-0647	1	Bracket-Frame, Seat
44	112-6107	1	Frame-Upper
45	112-1070	1	Bolt-Carriage
46	112-0546	1	Nut-Sems
47	112-0425	1	Battery-245, Cca (Dry Flat Top)
48	112-6108	1	Screw-TAP
49	112-6073	1	Solenoid-12V, 2 Post 2 Tab
50	112-0455	1	Switch-Interlock
51	112-1274	1	Decal-PTO, Manual



Seat, Fender and Deck Lift Assembly

Ref	Part No.	Qty.	Description
1	112-0650	1	Nut-Lock, Flange
2	112-0409	1	Knob
3	112-0616	1	Spring-Extension
4	112-0435	1	Washer-Bell
5	112-0575	1	Bolt-Shoulder
6	112-0554	1	Bolt-Shoulder
7	112-0646	1	Bracket-Lift, LH
8	112-6113	1	Bracket-Pivot, Seat
9	112-6140	1	Screw
10	112-0426	1	Bolt-CARR
11	112-0524	1	Screw-HWHTF
12	112-6070	1	Screw-TAP
13	112-0509	1	Screw-TAP
14	112-0650	1	Nut-Lock, Flange
15	112-0471	1	Cover-Fender, RH
16	112-6065	1	Fender-LH
17	112-0517	1	Washer-Lock, External
18	112-0582	1	Washer-Flat
19	112-0697	1	Fender
20	112-0629	1	Bracket-Adjusting, Lift
21	112-6046	1	Bracket-Mount, Seat
22	112-5969	1	Lift Shaft ASM
23	112-0650	1	Nut-Lock, Flange
24	112-0668	1	Nut-Lock, Flange

Ref	Part No.	Qty.	Description
25	112-0459	1	Pin-Cotter
26	112-0568	1	Pin-Cotter
27	112-0586	1	Ring-E
28	112-0585	1	Grip-Handle
29	112-0477	1	Spring-Torsion
30	112-0443	1	Bolt-Shoulder
31	112-0442	1	Bolt-Shoulder
32	112-0347	1	Bearing-Flange
33	112-0374	1	Cable-Lift
34	112-5970	1	Handle-Lift
35	112-0502	1	Pulley-Roller
36	112-0724	1	Link-Lift
37	112-0549	1	Clip-Ratchet, Fastener
38	112-0540	1	Pad-Foot, RH
39	112-0545	1	Pad-Foot, LH
40	112-0637	1	Plate-Boss, Insulator
41	112-0532	1	Switch-Spring, Inner
42	112-0635	1	Plate-Insulator
43	112-0529	1	Switch-Spring
44	112-0626	1	Screw-HWHTF
45	112-6114	1	Seat-Medium
46	112-6158	1	Decal-Service
47	112-6159	1	Decal-Instructions, Operating

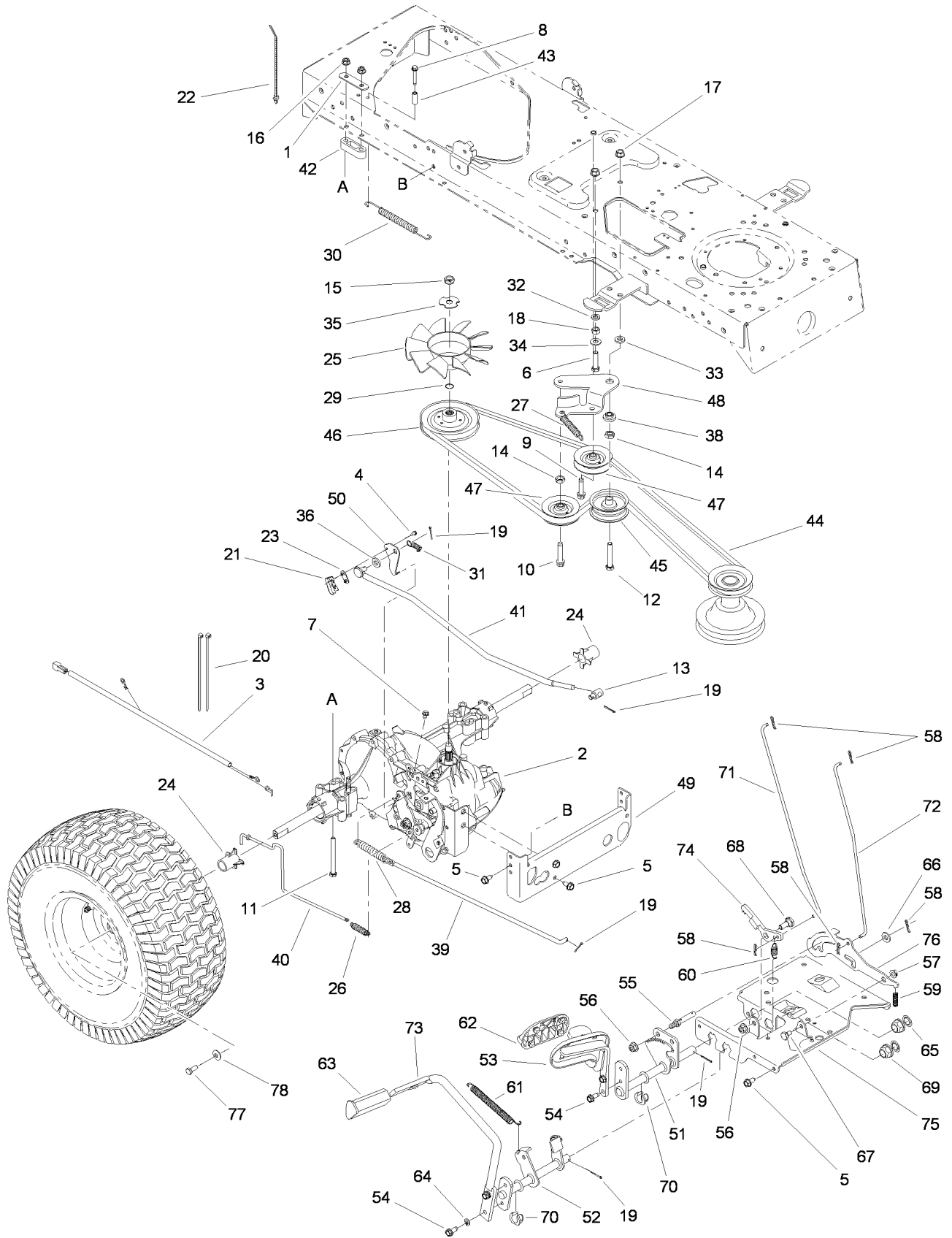


Hood, Dash and Fuel Tank Assembly

Ref	Part No.	Qty.	Description
1	112-0444	1	Hood
2	112-6070	1	Screw-TAP
3	112-0587	1	Screw-TAP
4	112-0509	1	Screw-TAP
5	112-0381	1	Grill
6	112-3695	1	Washer-Flat
7	112-6128	1	Bolt-Shoulder, TAP
8	112-5985	1	Bracket-Pivot
9	112-6127	1	Bracket-Pivot
10	112-5986	1	Bracket-Support, Hood
11	112-6126	1	Bracket-Pivot, Support (LH)
12	112-6125	1	Bracket-Pivot, Support (RH)
13	112-6141	1	Plenum Hood
14	112-0524	1	Screw-HWHTF
15	112-0676	1	Screw-TAP
16	112-0550	1	Screw-TAP
17	112-0563	1	Screw-TAP
18	112-0526	1	Lever-Cruise
19	112-0580	1	Lever-Brake
20	112-6123	1	Dash-Manual, PTO
21	112-0485	1	Washer-Spring
22	112-0604	1	Rod-Lever, Bent
23	112-6122	1	Support-Dash, RH
24	112-6121	1	Support-Dash, LH

Ref	Part No.	Qty.	Description
25	112-0678	1	Rod-Support
26	112-6120	1	Cap-Fuel
27	112-6119	1	Tank-Fuel, 3 Gal
28	112-0447	1	Lens-RH
29	112-0446	1	Lens-LH
30	112-5810	1	Reflector-RH
31	112-5811	1	Reflector-LH
32	112-0408	1	Socket-Headlight
33	112-0402	1	Lamp-12V, Miniature
34	112-0310	1	Cable Control ASM (W/Choke Knob)
35	112-6142	1	Throttle-Cable
36	112-6117	1	Meter-Hour
37	112-6116	1	Module-Switch, Ignition
38	112-6115	1	Key-Ignition
39	112-3716	1	Decal-Hood
40	112-5952	1	Decal-Hood, Left Side
41	112-6160	1	Decal
42	112-1272	1	Decal-Throttle, Dash
43	112-5953	1	Decal-Hood, Right Side
50	112-6187	1	Harness-Wire
51	112-5943	1	Fuse-20 Amp

Transmission, Belt, Traction and Brake Pedal Assembly

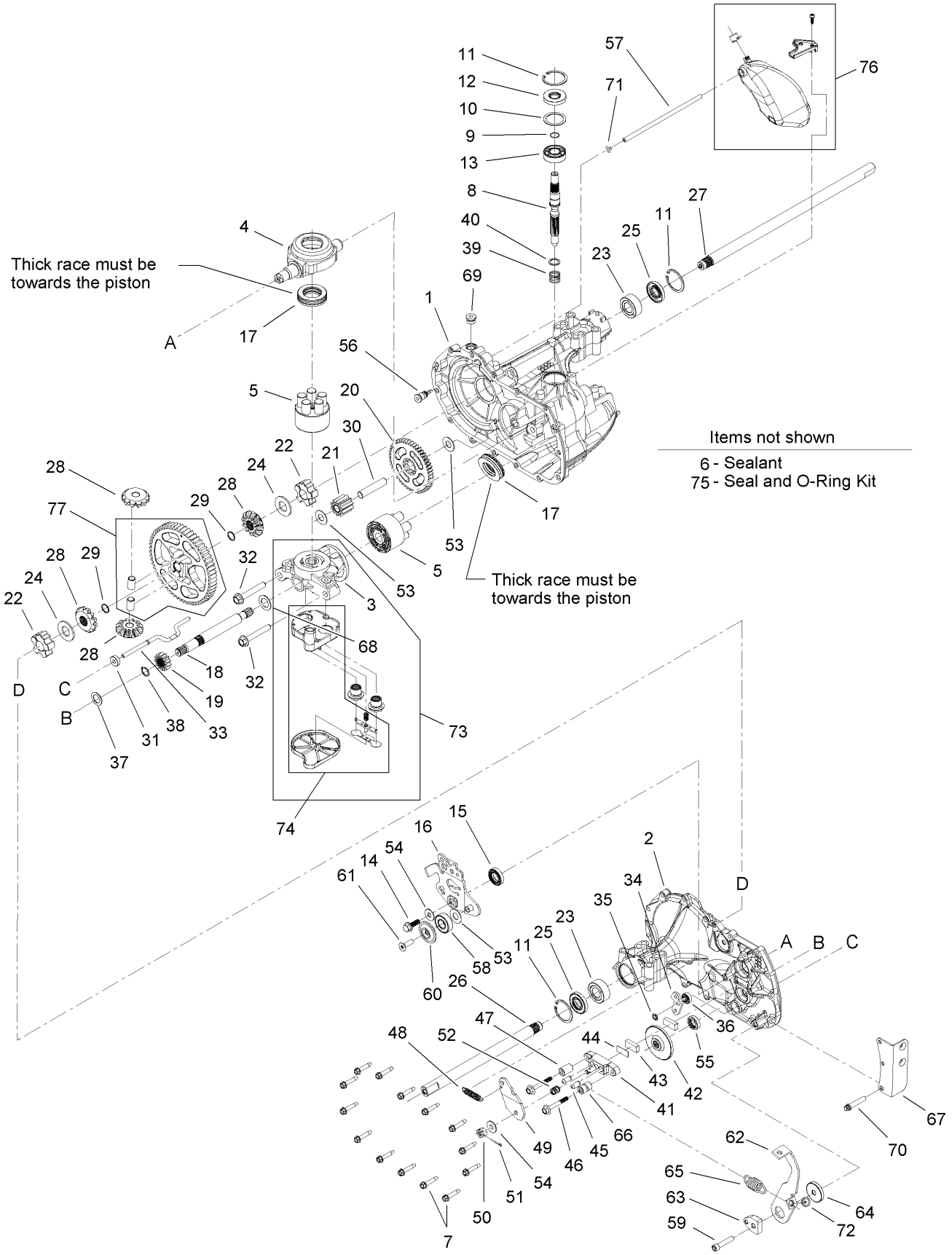


Transmission, Belt, Traction and Brake Pedal Assembly

Ref	Part No.	Qty.	Description
1	112-0628	1	Bracket-Mounting, Transmission
2	112-6019	1	Hydro Transmission ASM
3	112-6020	1	Harness ASM
4	112-0626	1	Screw-HWHTF
5	112-6070	1	Screw-TAP
6	112-0578	1	Screw-HH
7	112-6022	1	Screw-TAP
8	112-0843	1	Screw-HWH
9	112-0469	1	Screw-TAP
10	112-6143	1	Screw-TAP
11	112-0667	1	Screw-HH
12	112-6009	1	Screw-HH
13	112-0908	1	Ferrule
14	112-0493	1	Nut-Jam
15	112-6144	1	Nut-Jam
16	112-0650	1	Nut-Lock, Flange
17	112-0385	1	Nut-Lock, Flange
18	112-0668	1	Nut-Lock, Flange
19	112-0568	1	Pin-Cotter
20	112-0527	1	Tie-Cable
21	112-0602	1	Switch-Spring, Short
22	112-0866	1	Tie-Cable
23	112-0625	1	Plate-Insulator
24	112-6025	1	Sleeve
25	112-6145	1	Fan
26	112-6027	1	Spring-Extension
27	112-0873	1	Spring-Extension
28	112-0350	1	Spring-Extension
29	112-6028	1	Ring-Wire
30	112-6029	1	Spring-Extension
31	112-0875	1	Spring-Extension
32	112-0415	1	Washer-Lock
33	112-0920	1	Washer-Flat
34	112-0572	1	Washer-Flat
35	112-6146	1	Washer-Lock
36	112-0544	1	Washer-Flat
38	112-0345	1	Spacer-Shoulder
39	112-6030	1	Rod-Brake
40	112-6031	1	Rod-Hydro
41	112-6032	1	Rod-Control
42	112-0673	1	Spacer-Transaxle
43	112-0644	1	Spacer
44	112-6147	1	Belt-V
45	112-0313	1	Pulley-Idler, Flat
46	112-6148	1	Pulley-Input
47	112-6149	1	Pulley-Idler, Y Type
48	112-0525	1	Bracket-Idler, Center Double
49	112-6034	1	Bracket-Torq, Transmission
50	112-6035	1	Bracket-Actuator
51	112-0850	1	Control ASM
52	112-5998	1	Speed Control ASM
53	112-0851	1	Control Pedal ASM

Ref	Part No.	Qty.	Description
54	112-0395	1	Screw-HWH
55	112-0599	1	Pin
56	112-0668	1	Nut-Lock, Flange
57	112-0511	1	Nut-Lock, Flange
58	112-0459	1	Pin-Cotter
59	112-0506	1	Spring
60	112-0510	1	Spring-Extension
61	112-0348	1	Spring-Extension
62	112-0543	1	Pad-Pedal
63	112-6001	1	Pad-Brake
64	112-0366	1	Washer-Lock
65	112-0339	1	Washer-Flat
66	112-0541	1	Washer-Flat
67	112-0542	1	Bolt-Shoulder
68	112-0442	1	Bolt-Shoulder
69	112-0347	1	Bearing-Flange
70	112-0387	1	Bearing-Flange, Hex (Split)
71	112-6150	1	Rod-Brake, Lock
72	112-0662	1	Rod-Control, Cruise
73	112-6005	1	Pedal-Brake
74	112-6004	1	Latch-Cruise
75	112-0681	1	Bracket-Support, Steering
76	112-5812	1	Bracket-Lockout
77	112-0551	1	Screw-HH
78	112-0435	1	Washer-Bell

Transmission Assembly No. 112-6019

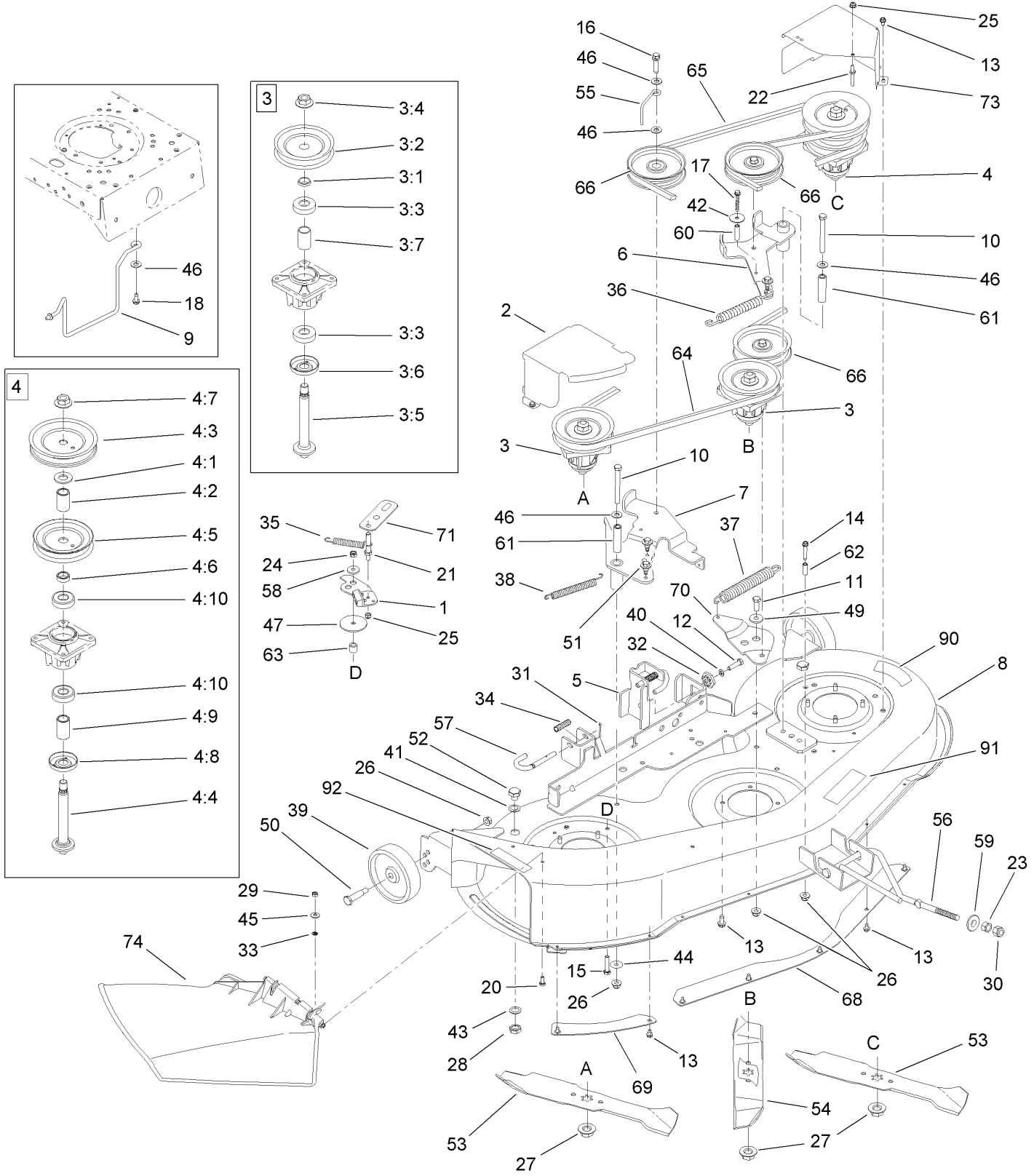


Transmission Assembly No. 112-6019

Ref	Part No.	Qty.	Description
1	104-5301	1	Main Housing ASM
2	104-5302	1	Side Housing ASM
3	104-5303	1	Center Section ASM
4	104-5304	1	Swashplate-Trunnion
5	103-2666	2	Cylinder Block Kit
6	104-2147	1	Sealant
7	104-5305	14	Screw-HHF
8	104-5306	1	Shaft-Input
9	104-5307	1	Ring-Retaining
10	104-5308	1	Spacer
11	104-5309	3	Ring-Retaining
12	104-5310	1	Seal-Lip
13	104-5311	1	Bearing-Ball
14	104-5312	1	Screw-HF
15	104-5313	1	Seal-Lip
16	112-6190	1	Control-Arm
17	94-6922	2	Bearing-Thrust
18	104-5315	1	Shaft-Motor
19	104-5316	1	Gear-Pinnion, 13T
20	104-5317	1	Gear
21	104-5318	1	Gear-Jackshaft, 10T
22	104-5320	2	Bearing-Sleeve
23	104-5321	2	Bearing-Sleeve, Outboard
24	94-1943	2	Washer
25	104-5322	2	Seal-Lip
26	112-6191	1	Axle-Shaft
27	112-6192	1	Axle-Shaft
28	112-6193	1	Miter Gear Kit
29	104-5328	2	Ring-Retaining, Spiral
30	104-5329	1	Pin-Jackshaft
31	104-5330	1	Magnet-Ring
32	94-6926	2	Bolt
33	104-5335	1	Rod-Actuator, Bypass
34	104-5336	1	Arm-Bypass
35	104-5337	1	Ring-Retaining
36	104-5338	1	Seal-Lip
37	104-5339	1	Washer-Flat
38	104-5340	1	Ring-Retaining
39	94-1936	1	Spring-Block
40	94-1937	1	Washer-Thrust, Block
41	104-5343	1	Yoke-Brake
42	104-5344	1	Rotor-Brake
43	104-2171	2	Puck-Brake
44	104-2181	1	Puck-Plate
45	104-2176	2	Pin-Brake
46	104-5345	2	Screw-HF
47	104-2180	1	Spacer
48	112-6194	1	Spring Kit
49	112-6195	1	Brake-Arm
50	93-3807	1	Nut-Castle
51	3272-7	1	Pin-Cotter
52	104-2188	1	Spring-Brake, Anti Drag

Ref	Part No.	Qty.	Description
53	94-1933	3	Washer
54	5-4460	2	Washer-Pivot
55	104-5347	1	Seal-Oil
56	104-5349	1	Fitting-Sae
57	104-5350	1	Hose-Expansion, Tank
58	104-2156	1	Bearing
59	104-2155	1	Screw
60	104-2157	1	Spacer-Locating
61	104-2158	1	Screw-Countersunk
62	112-6196	1	Return-Arm
63	104-2119	1	Puck-Adjusting
64	112-6197	1	Washer-Flat
65	104-5356	1	Spring-Extension
66	104-5357	1	Spacer
67	112-6198	1	Bracket-Torque
68	104-5360	1	Washer-Shaft, Motor
69	104-2189	1	Plug-Thread, Straight
70	104-2148	1	Screw-TTH
71	104-5361	1	O-Ring
72	104-5363	1	Guide-Spring
73	106-6522	1	Center Section Filter Bypass ASM
74	106-6523	1	Filter ASM
75	104-5368	1	Seal Kit
76	104-5369	1	Expansion Tank Kit
77	112-6199	1	60T Bull Gear Differential Kit (W/Pin)

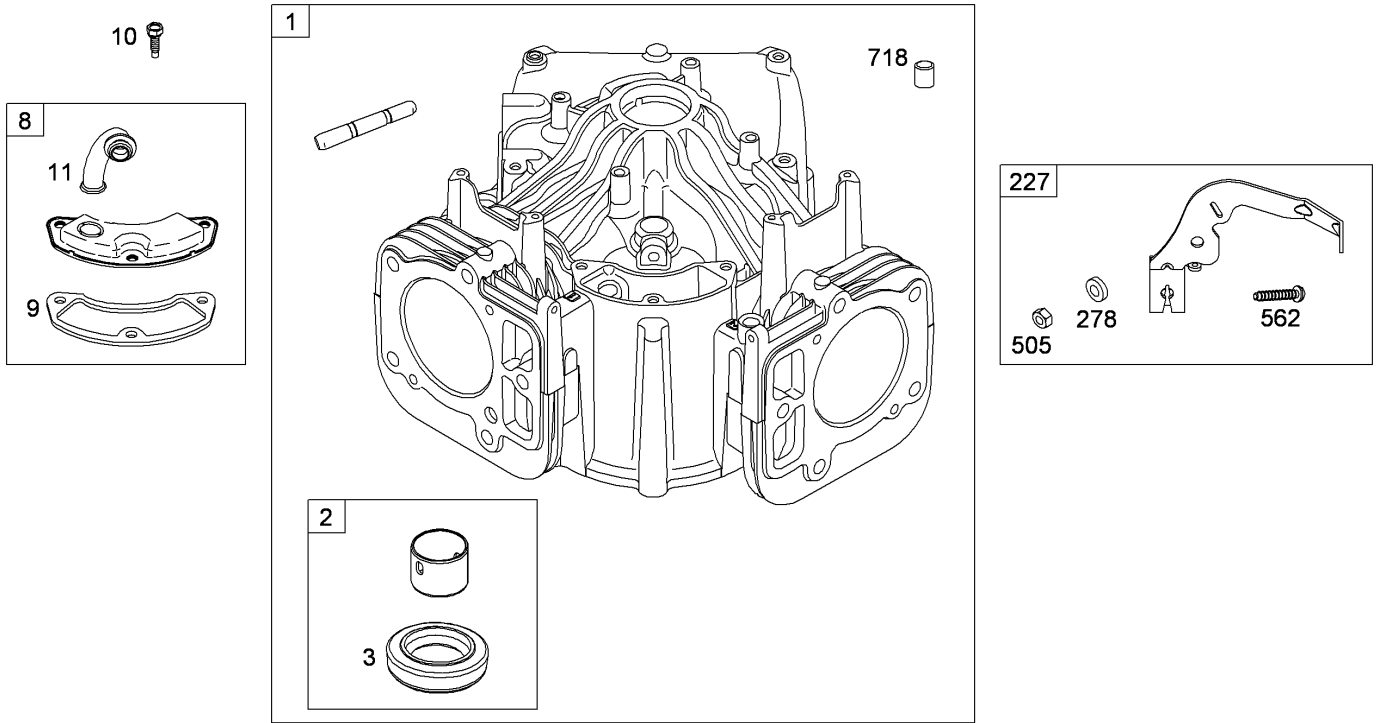
46 Inch Deck Assembly



46 Inch Deck Assembly

Ref	Part No.	Qty.	Description
1	112-0326	1	Deck Brake Bracket ASM
2	112-0401	1	Cover-Belt, RH
3	112-0311	1	Spindle ASM
3:1	112-0600	1	Spacer
3:2	112-0358	1	Pulley-Deck
3:3	112-0377	1	Bearing-Ball
3:4	112-0330	1	Nut-Flange, Hex
3:5	112-5922	1	Shaft-Spindle
3:6	112-5923	1	Bearing-Shoulder
3:7	112-0654	1	Spacer
4	112-0383	1	Double Pulley Spindle ASM
4:1	112-0921	1	Washer-Flat
4:2	112-5927	1	Spacer
4:3	112-0382	1	Pulley-Deck
4:4	112-5928	1	Shaft-Spindle
4:5	112-0359	1	Pulley-Deck
4:6	112-5929	1	Spacer
4:7	112-0330	1	Nut-Flange, Hex
4:8	112-5923	1	Bearing-Shoulder
4:9	112-0654	1	Spacer
4:10	112-0377	1	Bearing-Ball
5	112-0413	1	LH Hanger Bracket ASM
6	112-6060	1	LH Idler Arm ASM
7	112-6059	1	Bracket ASM
8	112-6200	1	Deck ASM
9	112-6151	1	Guide-Belt, Engine
10	112-6081	1	Bolt
11	112-0492	1	Screw-HH
12	112-0373	1	Screw-HH
13	112-0524	1	Screw-HWHTF
14	112-0843	1	Screw-HWH
15	112-0594	1	Screw-HH
16	112-0469	1	Screw-TAP
17	112-5828	1	Screw-HH
18	112-0395	1	Screw-HWH
20	112-0499	1	Screw-HH
21	112-6152	1	Pivot-Brake, Pin
22	112-0429	1	Pin-Guard, Belt
23	112-0458	1	Nut-Hex
24	112-0650	1	Nut-Lock, Flange
25	112-0636	1	Nut-Lock, Flange
26	112-0668	1	Nut-Lock, Flange
27	112-0330	1	Nut-Flange, Hex
28	112-0351	1	Nut-Hex
29	112-0522	1	Nut-Hex
30	112-0476	1	Nut-Lock, Hex (Nylon)
31	112-0412	1	Pin-Cotter
32	112-0327	1	Gear-Adjustment, Deck
33	112-0623	1	Retainer-Bolt
34	112-0406	1	Spring-Compression
35	112-0320	1	Spring-Extension
36	112-6078	1	Spring-Extension

Ref	Part No.	Qty.	Description
37	112-0324	1	Spring-Extension
38	112-6153	1	Spring-Extension
39	112-0337	1	Wheel-Deck, Rear
40	112-0366	1	Washer-Lock
41	112-0339	1	Washer-Flat
42	112-6154	1	Washer-Flat
43	112-0643	1	Washer-Lock
44	112-0920	1	Washer-Flat
45	112-0485	1	Washer-Spring
46	112-0572	1	Washer-Flat
47	112-0560	1	Washer-Flat
49	112-0508	1	Spacer-Shoulder
50	112-0334	1	Bolt-Shoulder
51	112-6128	1	Bolt-Shoulder, TAP
52	112-0577	1	Plug
53	112-0304	1	Blade-16.28 Inch
54	112-0302	1	Blade-14.88 Inch
55	112-5879	1	Rod-Keeper, Belt
56	112-6155	1	Rod-Deck
57	112-0436	1	Pin-Handle, Deck Release
58	112-0410	1	Spacer-Shoulder
59	112-0641	1	Cup-Pivot, Lift
60	112-5831	1	Spacer
61	112-6082	1	Spacer
62	112-0644	1	Spacer
63	112-0633	1	Spacer
64	112-0317	1	Belt
65	112-5834	1	Belt-V
66	112-0314	1	Pulley-Idler
68	112-0464	1	Skirt-Center, Deck
69	112-0400	1	Skirt-RH, Deck
70	112-0666	1	Bracket-Idler
71	112-6156	1	Bracket Brake
73	112-0431	1	Cover-Belt, LH
74	112-0353	1	Discharge Chute ASM
90	112-1267	1	Decal-Danger
91	112-1269	1	Decal-Routing, Belt
92	112-1265	1	Decal-Danger



1330 Repair Manual

48 Short Block

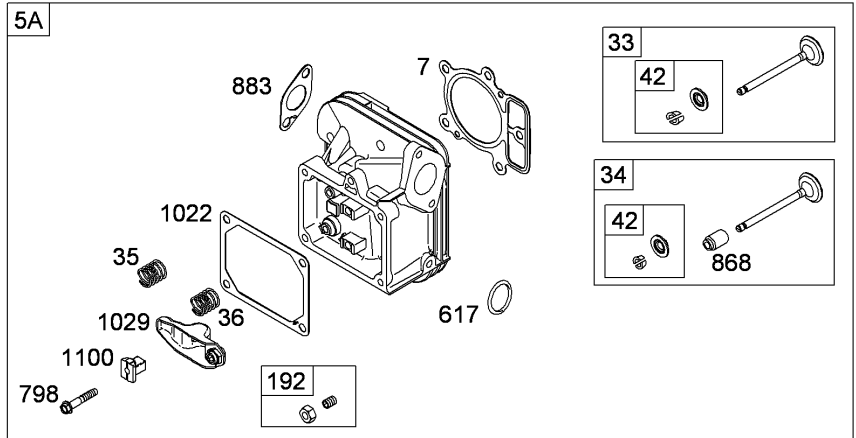
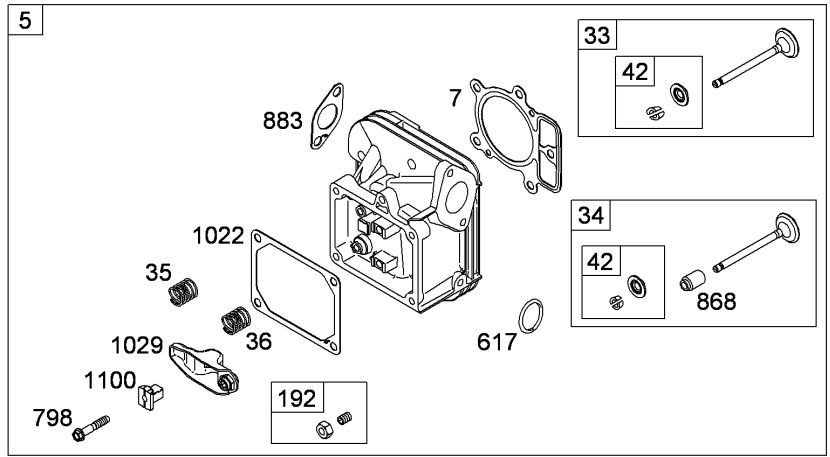
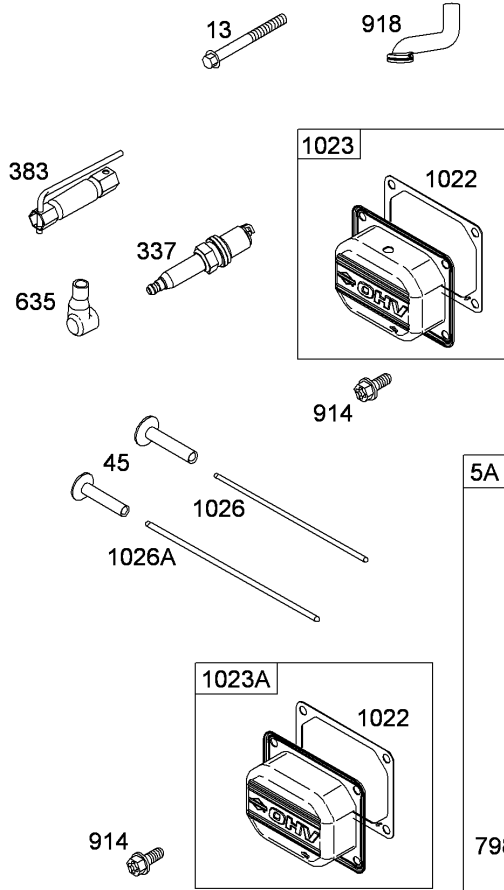
1058 Operator Manual

Assemblies include all parts shown in frames

Cylinder Assembly Briggs and Stratton 407777-0550-E1

Ref	Part No.	Qty.	Description
1	795118	1	Cylinder ASM
2	499585	1	Bushing And Seal Kitt (Magneto Side)
3	391086s	1	Seal-Oil (Magneto Side)
8	792185	1	Breather ASM
9	690937	1	Gasket-Breather
10	691108	1	Screw (Breather ASM)
11	792184	1	Tube-Breather
48	698172	1	Short Block
227	792492	1	Lever-Control, Governor
278	792651	1	Washer (Governor Control Lever)
505	691029	1	Nut (Governor Control Lever)
562	690311	1	Bolt (Governor Control Lever)
718	690959	1	Pin-Locating (Cylinder)
1058	276352	1	Operator Manual
1330	273521	1	Repair Manual

--	--	--	--



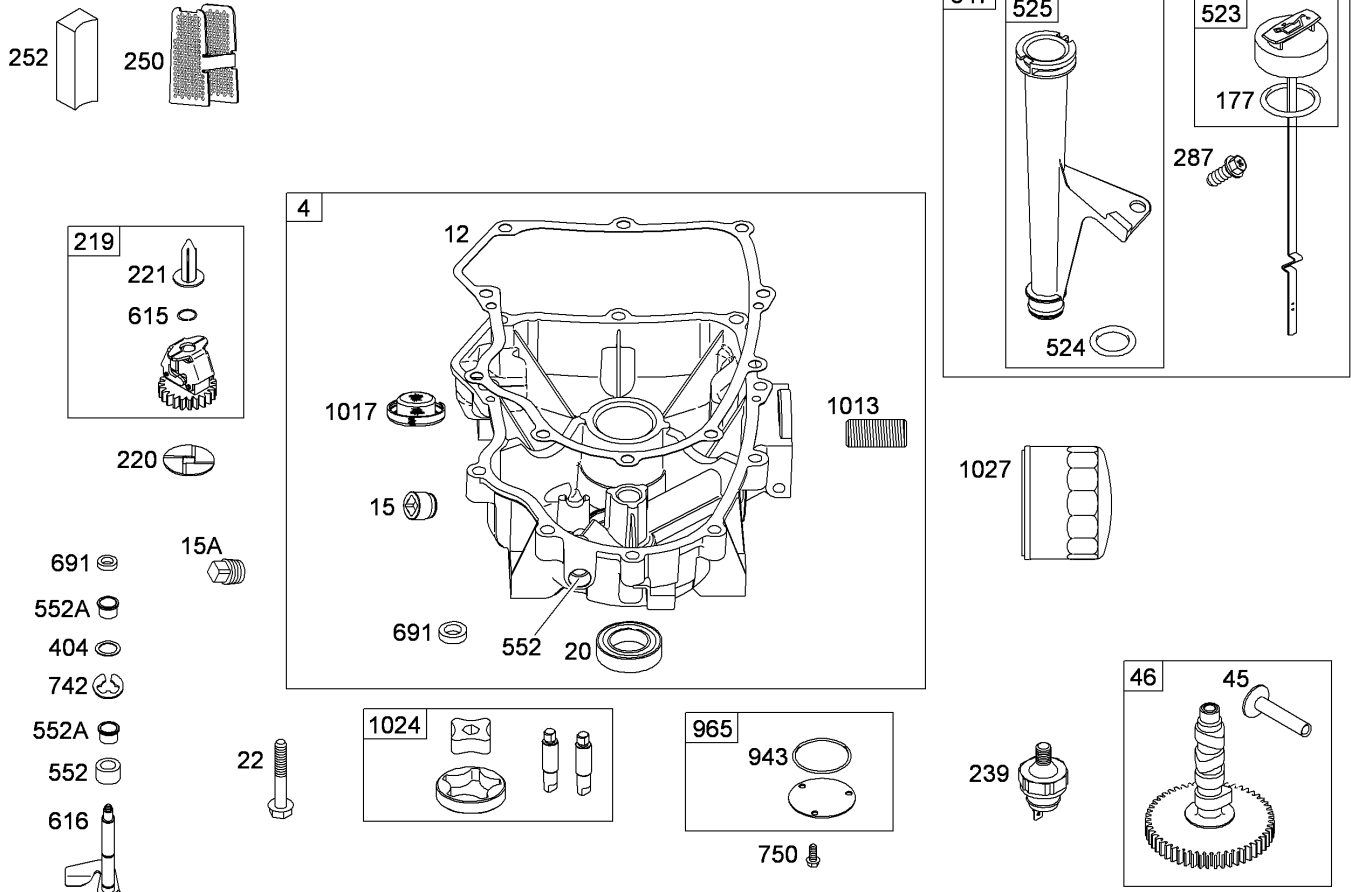
Assemblies include all parts shown in frames

Cylinder Head Assembly

Briggs and Stratton 407777-0550-E1

Ref	Part No.	Qty.	Description
25	792299	1	Head-Cylinder (Cylinder Head No.1)
25A	792300	1	Head-Cylinder (Cylinder Head No.2)
247	693997	1	Gasket-Head, Cylinder
213	791130	1	Screw (Cylinder Head)
233	499596	1	Valve-Exhaust
234	792200	1	Valve-Intake
235	694865	1	Spring-Valve (Intake)
236	694865	1	Spring-Valve (Exhaust)
242	499586	1	Keeper-Valve
245	690977	1	Tappet-Valve
2192	690083	1	Adjuster-Arm, Rocker
2337	491055s	1	Plug-Spark
2383	19374s	1	Wrench-Spark Plug
2617	697891	1	Seal-O Ring (Intake Manifold) (Red)
2635	66538s	1	Boot-Spark Plug
2798	697890	1	Screw (Rocker Arm)
24868	690968	1	Seal-Valve
24883	690970	1	Gasket-Exhaust
2914	691127	1	Screw (Rocker Cover)
2918	793147	1	Hose-Vacuum

Ref	Part No.	Qty.	Description
241022	690971	1	Gasket-Cover, Rocker
21023	499600	1	Cover-Rocker (Cylinder No.2)
21023A	793146	1	Cover-Rocker (Cylinder No.1)
21026	690981	1	Rod-Push (Steel)
21026A	690982	1	Rod-Push (Aluminum)
21029	690972	1	Arm-Rocker
21100	791959	1	Pivot-Arm, Rocker

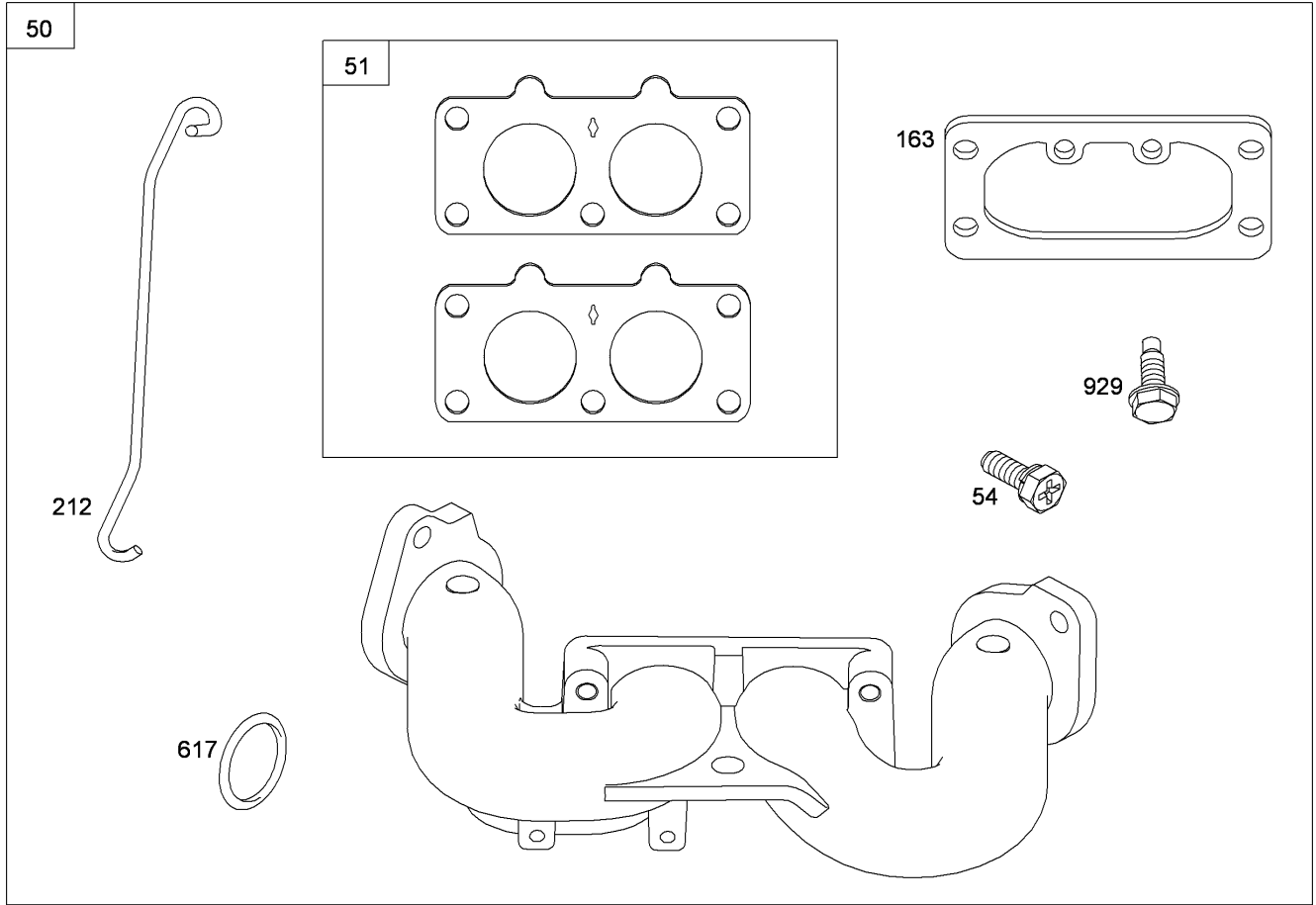


Assemblies include all parts shown in frames

Crankcase Cover and Sump Assembly Briggs and Stratton 407777-0550-E1

Ref	Part No.	Qty.	Description
④	699747	1	Sump-Engine
②④	697227	1	Gasket-Crankcase
②	691680	1	Plug-Drain, Oil
②	15A	1	Plug-Drain, Oil
②④	795387	1	Seal-Oil (PTO Side)
②	694966	1	Screw (Engine Sump)
②	690977	1	Tappet-Valve
②	792555	1	Camshaft
②④	177	1	Screw (Dipstick Tube)
②	219	1	Gear-Governor
②	220	1	Washer (Governor Gear)
②	221	1	Cup-Governor
②	239	1	Switch-Pressure, Oil
②	250	1	Retainer-Breather
②	252	1	Collector-Oil
②	287	1	Screw (Dipstick Tube)
②	404	1	Washer (Governor Crank)
②	523	1	Dipstick
②④	524	1	Seal-O Ring (Dipstick Tube)
②	525	1	Tube-Dipstick
②	552	1	Bushing-Crank, Governor
②	552A	1	Bushing-Crank, Governor
②	615	1	Retainer-Shaft, Governor
②	616	1	Crank-Governor

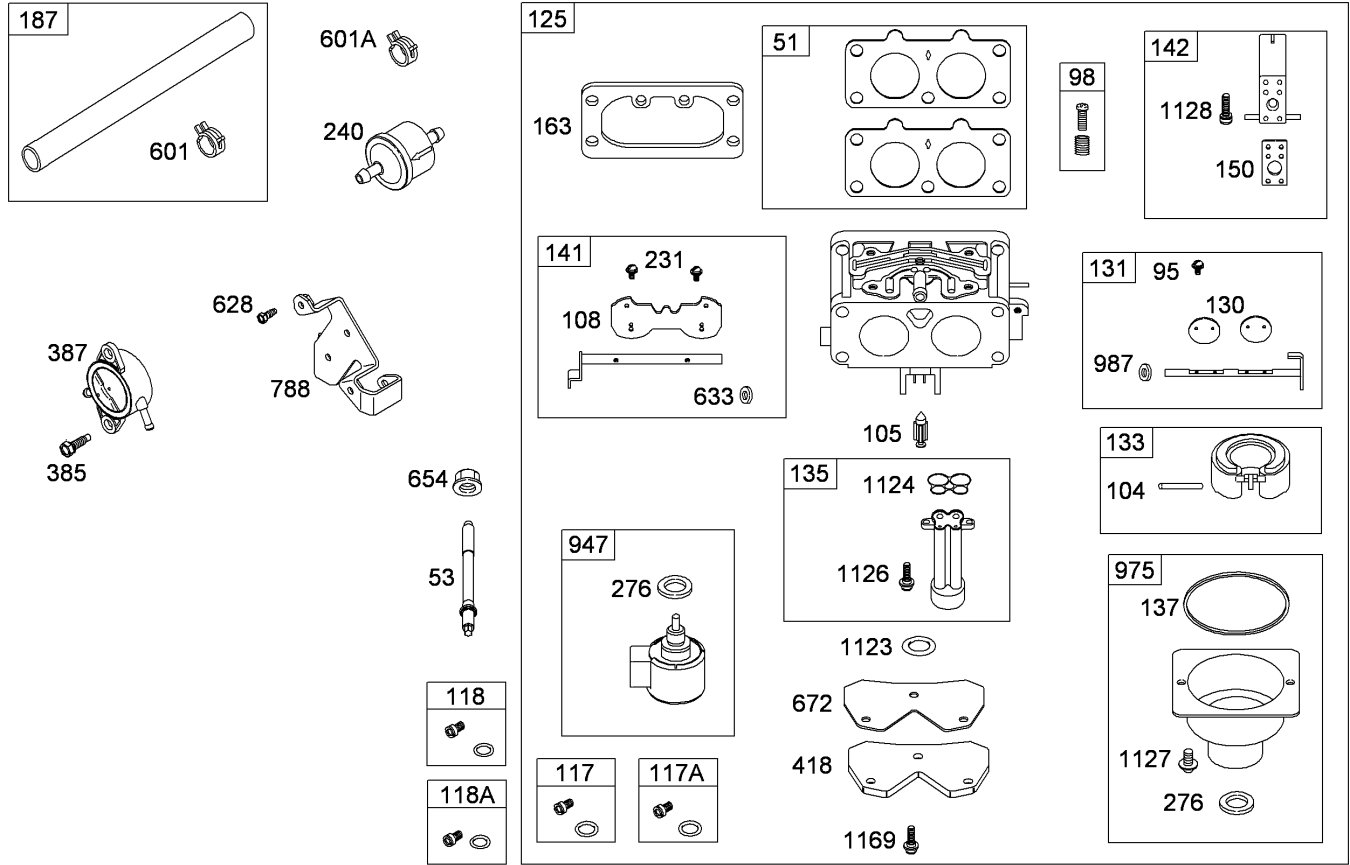
Ref	Part No.	Qty.	Description
②④	691	1	Seal-Shaft, Governor
②	742	1	Retainer-E Ring
②	750	1	Screw (Oil Pump Cover)
②	847	1	Dipstick And Tube ASM
②④	943	1	Seal-O Ring (Oil Pump Cover)
②	965	1	Cover-Pump, Oil
②	1013	1	Nipple-Filter, Oil
②	1017	1	Screen-Pump, Oil
②	1024	1	Pump-Oil
②	1027	1	Filter-Oil



Assemblies include all parts shown in frames

Intake Manifold Assembly Briggs and Stratton 407777-0550-E1

Ref	Part No.	Qty.	Description
②50	695241	1	Manifold-Intake
②④51	791677	1	Gasket-Intake
②54	699816	1	Screw (Intake Manifold)
②④163	691001	1	Gasket-Cleaner, Air
②212	695238	1	Link-Throttle
②617	697891	1	Seal-O Ring (Intake Manifold) (Red)
②929	695239	1	Screw (Choke Control Bracket)

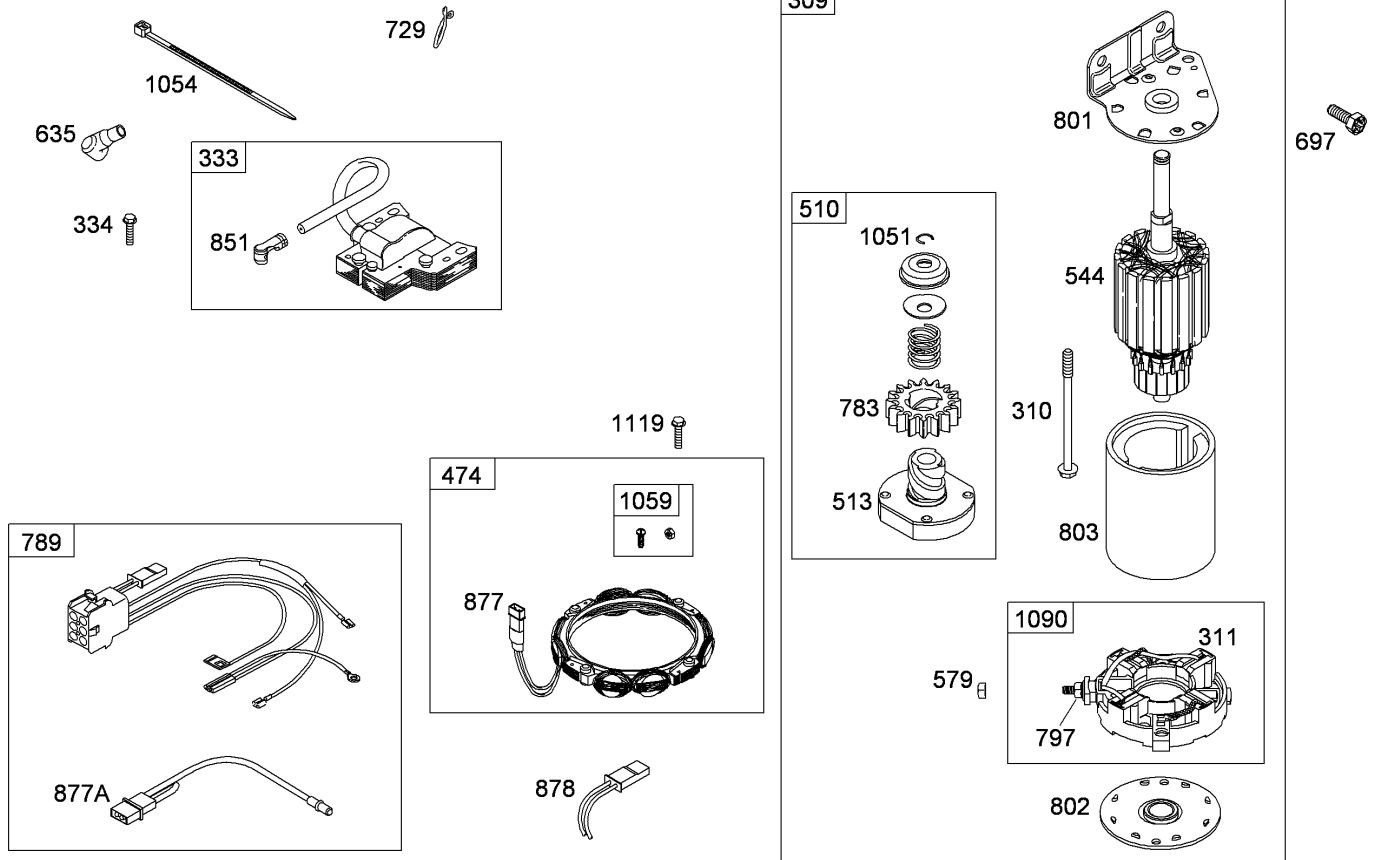


Assemblies include all parts shown in frames

Carburetor and Fuel Pump Assembly Briggs and Stratton 407777-0550-E1

Ref	Part No.	Qty.	Description
2451	791677	1	Gasket-Intake
253	690951	1	Stud (Carburetor)
295	690718	1	Screw (Throttle Valve)
298	699721	1	Idle Speed Kit
2104	694918	1	Pin-Hinge, Float
2105	698537	1	Valve-Needle, Float
2108	699723	1	Valve-Choke
2117	791501	1	Jet-Main (Standard) (Left)
2117A	791502	1	Jet-Main (Standard) (Right)
2118	695415	1	Jet-Main (High Altitude) (Left)
2118A	843099	1	Jet-Main (High Altitude) (Right)
2125	791230	1	Carburetor
2130	690993	1	Valve-Throttle
2131	499805	1	Throttle Shaft Kit
2133	699724	1	Float-Carburetor
2135	699729	1	Tube-Transfer, Fuel
2137	690994	1	Gasket-Bowl, Float
2141	699722	1	Choke Shaft Kit
2142	699726	1	Nozzle-Carburetor
2150	690995	1	Gasket-Nozzle
2163	691001	1	Gasket-Cleaner, Air
2187	791766	1	Line-Fuel (Cut To Required Length)
2231	690718	1	Screw (Choke Valve)

Ref	Part No.	Qty.	Description
2240	691035	1	Filter-Fuel
2276	695410	1	Washer-Sealing
2385	697551	1	Screw (Fuel Pump)
2387	808656	1	Pump-Fuel
2418	690999	1	Plate-Cover, Carburetor
2601	791850	1	Clamp-Hose (Green)
2601A	691038	1	Clamp-Hose (Black)
2628	691108	1	Screw (Fuel Pump Bracket)
2633	690998	1	Seal-Shaft, Choke
2654	690958	1	Nut (Carburetor)
2672	690234	1	Gasket-Cover Plate, Carburetor
2788	793145	1	Bracket-Pump, Fuel
2947	841546	1	Solenoid-Fuel
2975	793592	1	Bowl-Float
2987	691000	1	Seal-Shaft, Throttle
21123	699725	1	Seal-O Ring (Fuel Transfer Tube)
21124	690988	1	Seal-O Ring (Fuel Transfer Tube)
21126	690991	1	Screw (Fuel Transfer Tube)
21127	695407	1	Screw (Float Bowl)
21128	690990	1	Screw (Carburetor Nozzle)
21169	690990	1	Screw (Carburetor Cover Plate)

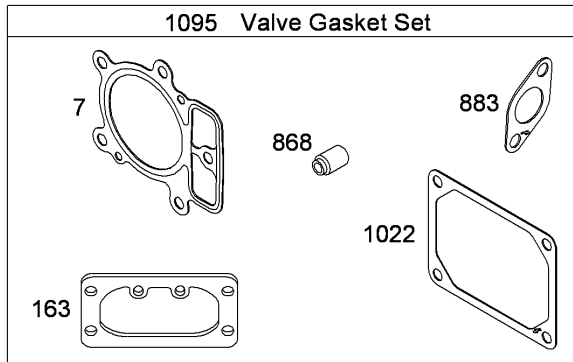
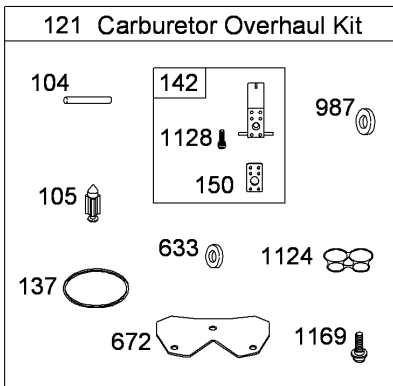
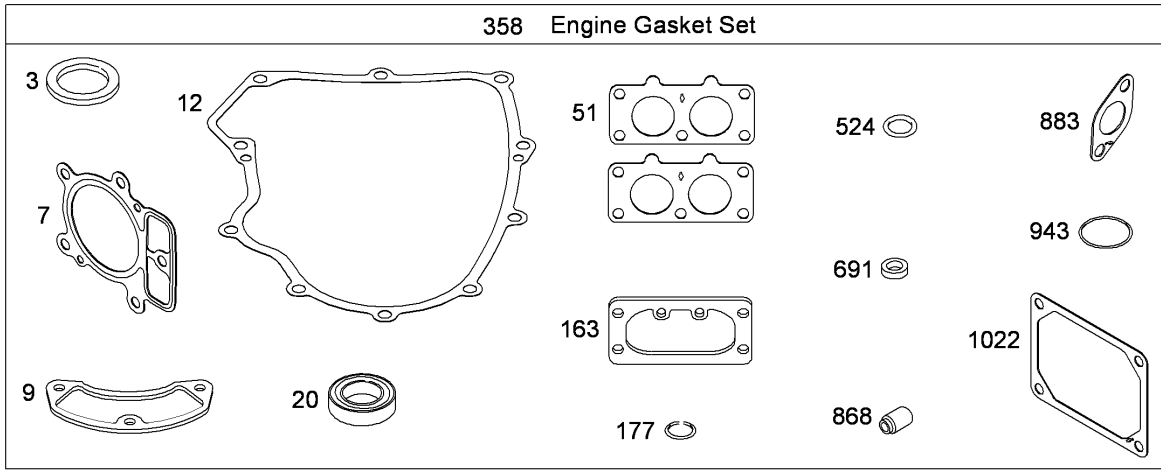


Assemblies include all parts shown in frames

Starter Assembly Briggs and Stratton 407777-0550-E2

Ref	Part No.	Qty.	Description
●309	497595	1	Motor-Starter
●310	690323	1	Screw (Starter Motor)
●311	497608	1	Brush Set
●333	691060	1	Armature-Magneto
●334	691061	1	Screw (Magneto Armature)
●474	696459	1	Alternator
●510	696541	1	Drive-Starter
●513	692024	1	Clutch-Drive
●544	692034	1	Armature-Starter
●579	691029	1	Nut (Starter Cable)
●635	66538s	1	Boot-Spark Plug
●697	690372	1	Screw (Drive Cap)
●729	694123	1	Clip-Wire
●783	695708	1	Gear-Pinion
●789	698330	1	Harness-Wiring
●797	693167	1	Nut (Brush Retainer)
●801	691283	1	Cap-Drive
●802	691286	1	Cap-End
●803		1	Housing-Starter (Serviced By Ref 309, 497595, Motor-Starter)
●851	493880s	1	Terminal-Spark Plug
●877	393456	1	Wire-Connector / Alternator
●877A	790544	1	Harness-Wiring
●878	398661	1	Harness-Alternator

Ref	Part No.	Qty.	Description
●1051	691265	1	Ring-Retainer (Starter Motor)
●1054	280275	1	Tie-Cable
●1059	698516	1	Screw And Washer Kit
●1090	691293	1	Retainer-Brush
●1119	691183	1	Screw (Alternator)



Assemblies include all parts shown in frames

Engine Gasket and Carburetor Overhaul Kits Briggs and Stratton 407777-0550-E1

Ref	Part No.	Qty.	Description
243	391086s	1	Seal-Oil (Magneto Side)
247	693997	1	Gasket-Head, Cylinder
5			
249	690937	1	Gasket-Breather
2412	697227	1	Gasket-Crankcase
2420	795387	1	Seal-Oil (PTO Side)
2451	791677	1	Gasket-Intake
25104	694918	1	Pin-Hinge, Float
25105	698537	1	Valve-Needle, Float
2121	699734	1	Carburetor Overhaul Kit
25137	690994	1	Gasket-Bowl, Float
25142	699726	1	Nozzle-Carburetor
25150	690995	1	Gasket-Nozzle
24163	691001	1	Gasket-Cleaner, Air
5			
24177	691031	1	Seal-O Ring (Dipstick Tube)
2358	694012	1	Engine Gasket Set
24524	691032	1	Seal-O Ring (Dipstick Tube)
25633	690998	1	Seal-Shaft, Choke
25672	690234	1	Gasket-Cover Plate, Carburetor
24691	790574	1	Seal-Shaft, Governor
24868	690968	1	Seal-Valve
5			
24883	690970	1	Gasket-Exhaust
5			

Ref	Part No.	Qty.	Description
24943	690589	1	Seal-O Ring (Oil Pump Cover)
25987	691000	1	Seal-Shaft, Throttle
241022	690971	1	Gasket-Cover, Rocker
5			
21095	694013	1	Valve Gasket Set
251124	690988	1	Seal-O Ring (Fuel Transfer Tube)
251128	690990	1	Screw (Carburetor Nozzle)
251169	690990	1	Screw (Carburetor Cover Plate)

Attachments and Accessories

For 13AT61RH044 - LX466 Lawn Tractor

Product Name	Model/Part
Washout Port Kit	112-5803
Extreme Blade Kit (3 Blades, 46 Inch Decks)	112-6049
42 Inch Two-Stage Snowthrower	190-032-101
46 Inch Twin Bagger	190-182-190
46 Inch Front Blade	190-833-000
8 Inch Rear Wheel Weight Kit	59159
46 Inch Mulch Kit	77215
10 cu. ft. Dump Cart	79901
10 cu. ft. Poly Dump Cart	79935
Folding Loading Ramp	79949
Sweeper	79985
Tire Chain Kit	82722
Blade Kit (3 Blades, 46 Inch Decks)	98023

Attachments and Accessories

For 13RT61RH044 - LX466 Lawn Tractor

Product Name	Model/Part
Washout Port Kit	112-5803
Extreme Blade Kit (3 Blades, 46 Inch Decks)	112-6049
42 Inch Two-Stage Snowthrower	190-032-101
46 Inch Twin Bagger	190-182-190
46 Inch Front Blade	190-833-000
8 Inch Rear Wheel Weight Kit	59159
46 Inch Mulch Kit	77215
10 cu. ft. Dump Cart	79901
10 cu. ft. Poly Dump Cart	79935
Folding Loading Ramp	79949
Sweeper	79985
Tire Chain Kit	82722
Blade Kit (3 Blades, 46 Inch Decks)	98023

Attachments and Accessories

For 13RT61RH244 - LX466 Lawn Tractor

Product Name	Model/Part
Washout Port Kit	112-5803
Extreme Blade Kit (3 Blades, 46 Inch Decks)	112-6049
42 Inch Two-Stage Snowthrower	190-032-101
46 Inch Twin Bagger	190-182-190
46 Inch Front Blade	190-833-000
8 Inch Rear Wheel Weight Kit	59159
46 Inch Mulch Kit	77215
10 cu. ft. Dump Cart	79901
10 cu. ft. Poly Dump Cart	79935
Folding Loading Ramp	79949
Sweeper	79985
Tire Chain Kit	82722
Blade Kit (3 Blades, 46 Inch Decks)	98023

